

## Fuel Tank Replacement

### Removal Procedure

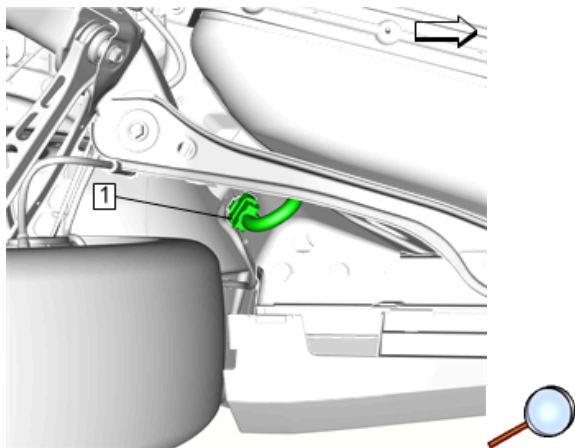
**Danger:** To avoid any vehicle damage, serious personal injury or death:

- When major components are removed from the vehicle and the vehicle is supported by a hoist, support the vehicle with jack stands at the opposite end from which the components are being removed and strap the vehicle to the hoist.
- When performing work in the engine compartment or under the vehicle, ensure that the hood is fully open, or opened to its secondary latch. When the hood is opened to the secondary latch, the vehicle will disable the remote start features from the key fob and OnStar mobile app. Failure to open the hood, or open the hood to the secondary latch while doing a repair in the engine compartment or under the vehicle can result in inadvertent vehicle starting which could result in personal injury or damage to a vehicle.

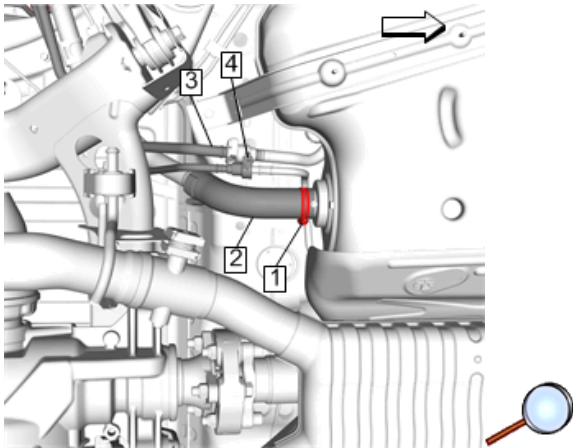
**Warning:** Refer to [Gasoline/Gasoline Vapors Warning](#).

**Warning:** Refer to [Safety Glasses Warning](#).

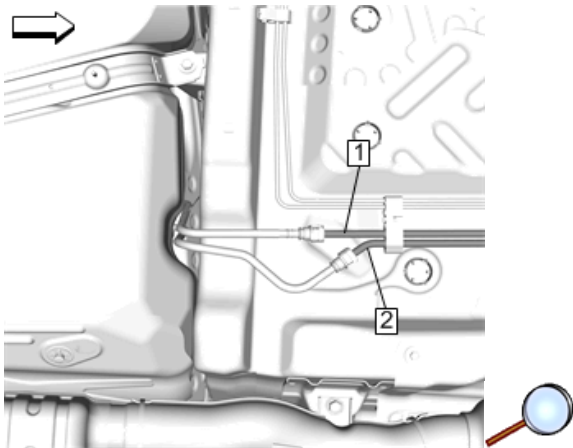
1. Relieve the fuel system pressure. [Fuel Pressure Relief](#)
2. Drain the fuel tank. [Fuel Tank Draining](#)
3. Two-Piece Propeller Shaft » Remove — [Two-Piece Propeller Shaft Replacement](#)
4. Remove the left front rear suspension bracket. [Rear Suspension Bracket Replacement](#)
5. Transmission Fluid Cooler Pipe - Mid Line Left and Mid Line Right » Remove — [Transmission Fluid Cooler Pipe Replacement](#)



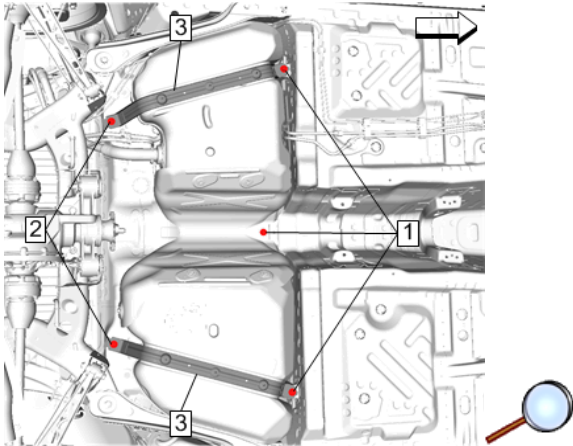
6. Electrical Connector (1) » Disconnect



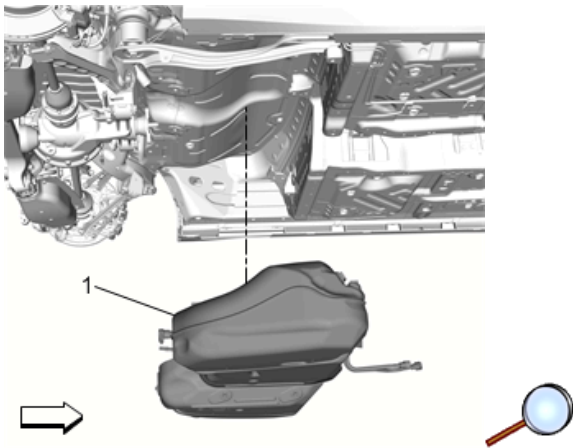
7. Fuel Tank Filler Hose Clamp (1) » Remove
8. Fuel Tank Filler Hose (2) » Remove
9. Evaporative Emission Canister Hose (3) » Disconnect — [Plastic Collar Quick Connect Fitting Service](#)
10. Evaporative Emission Canister Purge Hose (4) » Disconnect — [Plastic Collar Quick Connect Fitting Service](#)



11. Fuel Feed Pipe (1) Disconnect — [Plastic Collar Quick Connect Fitting Service](#)
12. Evaporative Emission Pipe (2) Disconnect — [Plastic Collar Quick Connect Fitting Service](#)

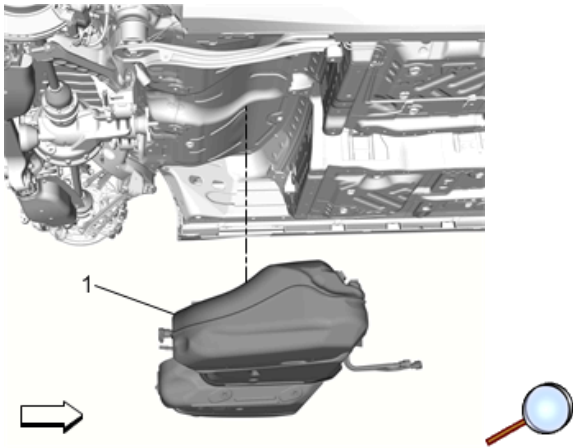


13. Support the fuel tank with a suitable jack.
14. Fuel Tank Strap Bolt (1) » Remove [3x]
15. Fuel Tank Strap Bolt (2) » Remove [2x]
16. Fuel Tank Strap (3) » Remove [2x]

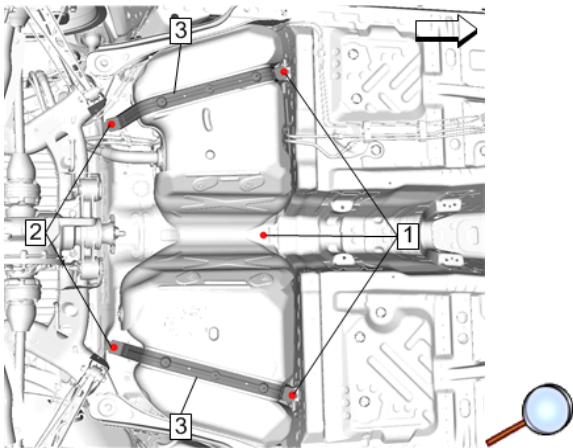


17. Fuel Tank (1) » Remove
18. Transfer components as necessary.

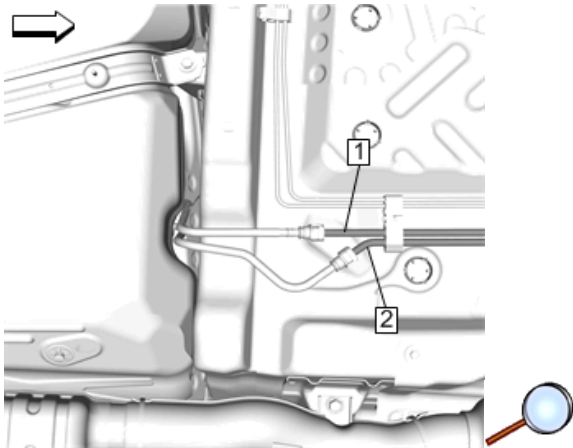
### [Installation Procedure](#)



1. Support the fuel tank with a suitable jack.
2. Fuel Tank (1) » Install

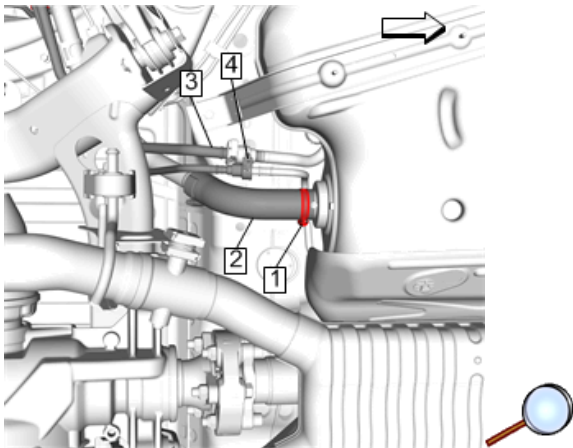


3. Fuel Tank Strap (3) » Install [2x]
- Caution:** Refer to [Fastener Caution](#).
4. Fuel Tank Strap Bolt (2) » Install [2x] **27 N•m (20 lb ft)**
5. Fuel Tank Strap Bolt (1) » Install [3x] **22 N•m (16 lb ft)**



6. Evaporative Emission Pipe (2) Connect — [Plastic Collar Quick Connect Fitting Service](#)

7. Fuel Feed Pipe (1) Connect — [Plastic Collar Quick Connect Fitting Service](#)

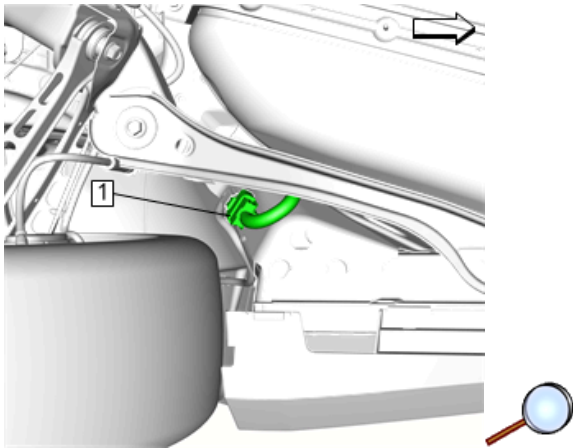


8. Evaporative Emission Canister Purge Hose (4) » Connect — [Plastic Collar Quick Connect Fitting Service](#)

9. Evaporative Emission Canister Hose (3) » Connect — [Plastic Collar Quick Connect Fitting Service](#)

10. Fuel Tank Filler Hose (2) » Install

11. Fuel Tank Filler Hose Clamp (1) » Install **3.5N·m (31 lb in)**



12. Electrical Connector (1) » Connect
13. Transmission Fluid Cooler Pipe - Mid Line Left and Mid Line Right » Install — [Transmission Fluid Cooler Pipe Replacement](#)
14. Install the left front rear suspension bracket. [Rear Suspension Bracket Replacement](#)
15. Two-Piece Propeller Shaft » Install — [Two-Piece Propeller Shaft Replacement](#)
16. Refill the fuel tank.
17. Inspect for fuel leaks.