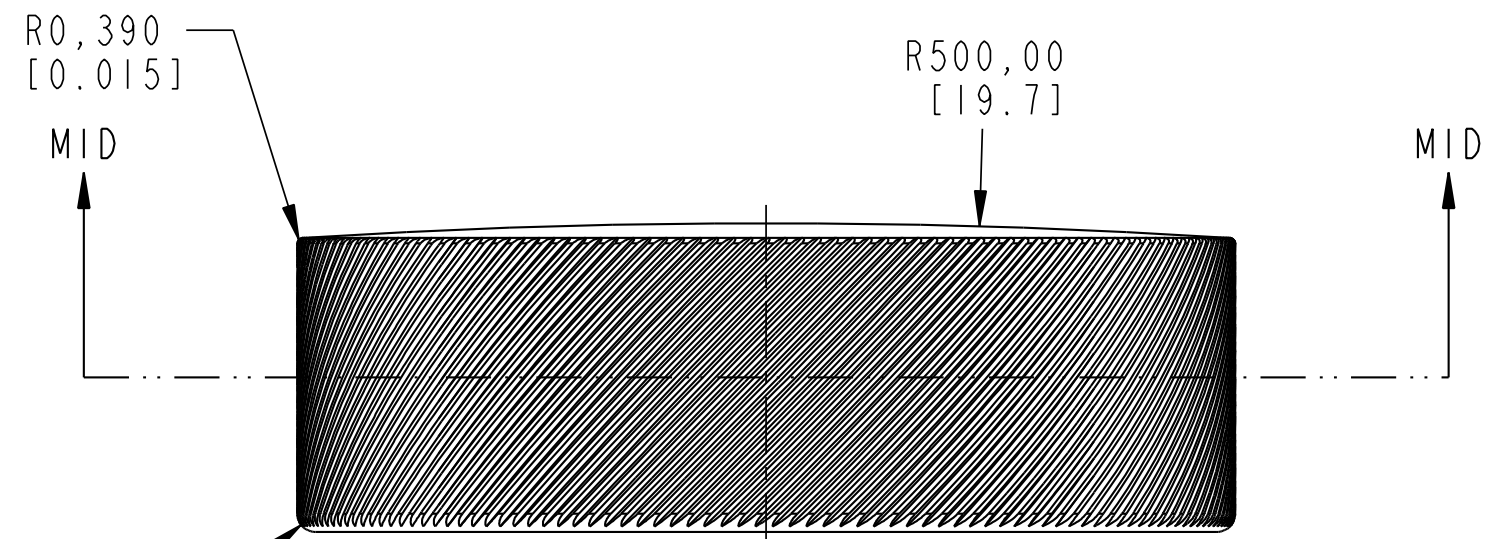


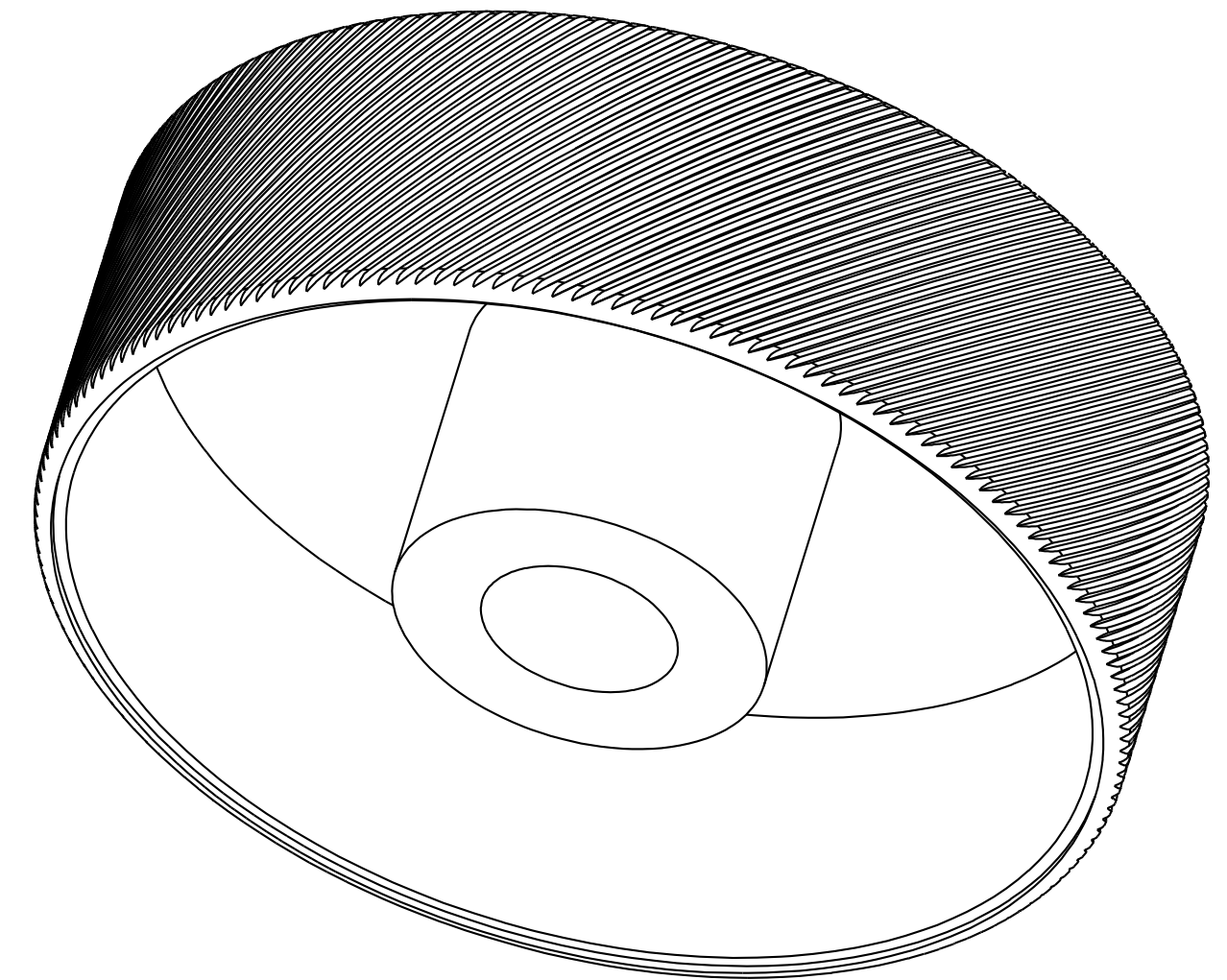
REVISIONS			
REV	BY	DATE	NOTES
I	MMI	11/18/19	INITIAL RELEASE



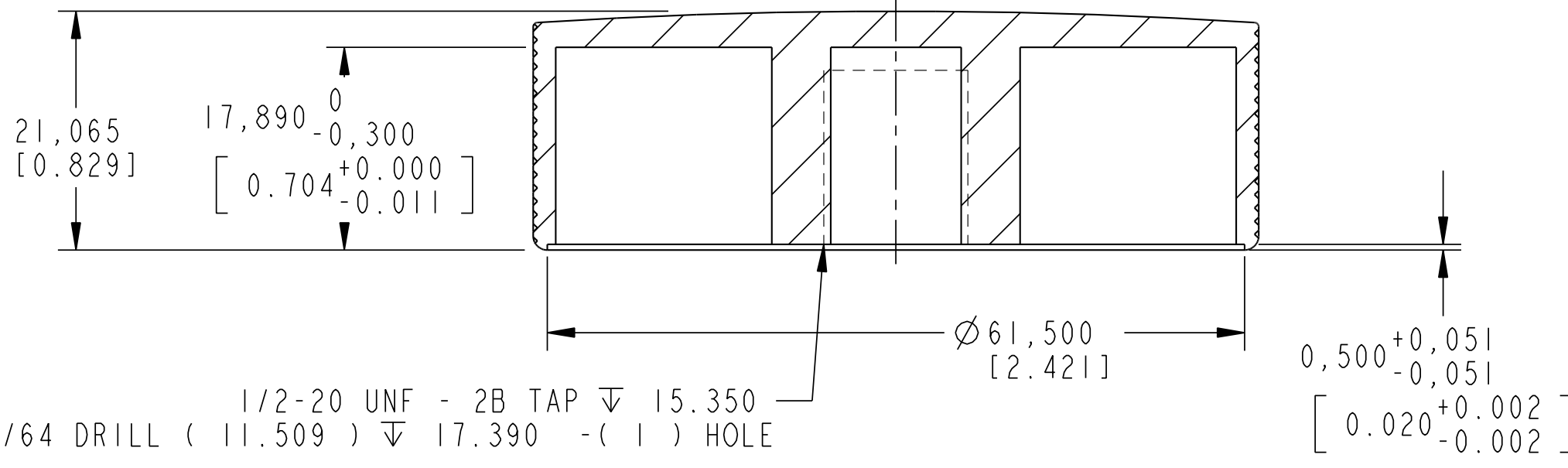
R1,242
[0.049]

45.00° HELIX TYP.

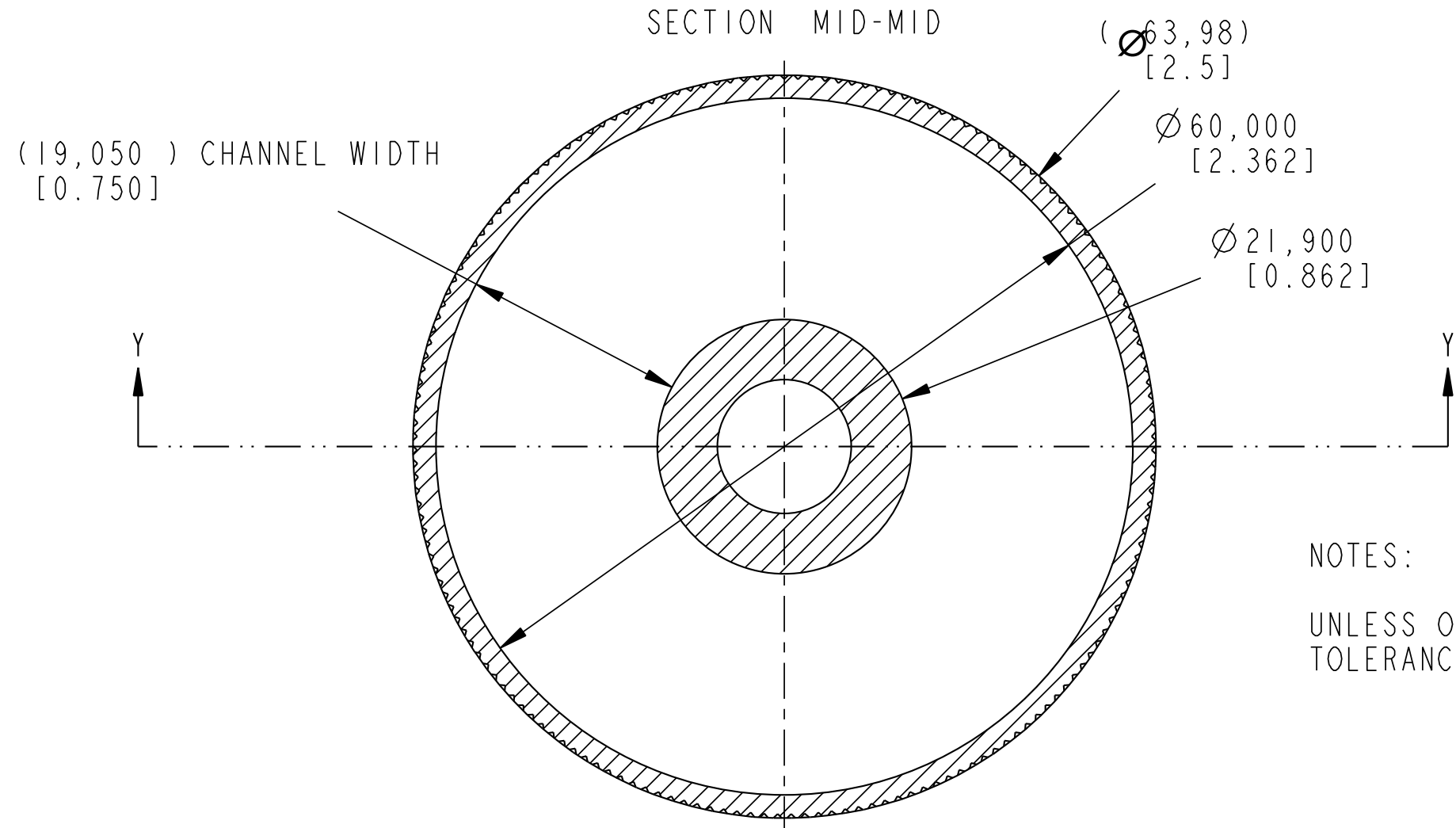
96 DP - RIGHT-HAND DIAGONAL KNURLING -
CLASS 1 45° HELIX
FULL KNURL AROUND CIRCUMFERENCE
APPROX KNURLED DIAMETER 0.014" LARGER
THAN NOMINAL (Ø63,984)
[2.519]



SECTION Y-Y



SECTION MID-MID



NOTES:

UNLESS OTHERWISE SPECIFIED
TOLERANCES ARE:

.X = ± 0.5 mm
.XX = ± 0.30 mm
.XXX = ± 0.100 mm
ANGLES = 0° ± 30'

PRIMARY UNITS IN MILLIMETERS
[SECONDARY UNITS IN INCHES]

BREAK ALL EDGES - MAX CORNER RADIUS 0.30 mm

MATERIAL: 304 SS

Cypress		Morrisville, NC	
PART			
TOP			
SIZE C	FSCM NO.	DRAWING NO. 1	
SCALE 2.000		SHEET 1	