

ALTERATIONS RESERVED!

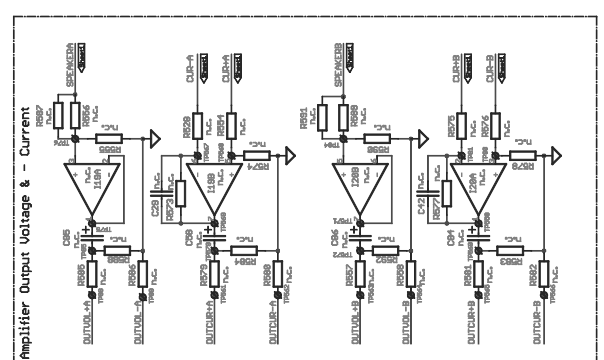
ISSUE	REVISION	DATE	NAME
1	1	2008-08-21	LEON
2	1	2008-08-21	LEON
3	1	2008-08-21	LEON
4	1	2008-08-21	LEON
5	1	2008-08-21	LEON
6	1	2008-08-21	LEON
7	1	2008-08-21	LEON
8	1	2008-08-21	LEON
9	1	2008-08-21	LEON
10	1	2008-08-21	LEON

F.01U.066.901

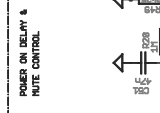
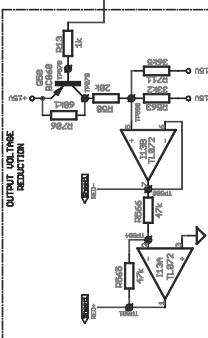
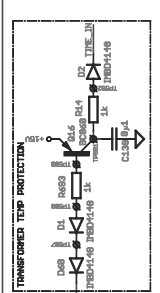
CIRCUIT DIAGRAM 2/4

EVI AUDIO

INPUT / CONTROL 3-

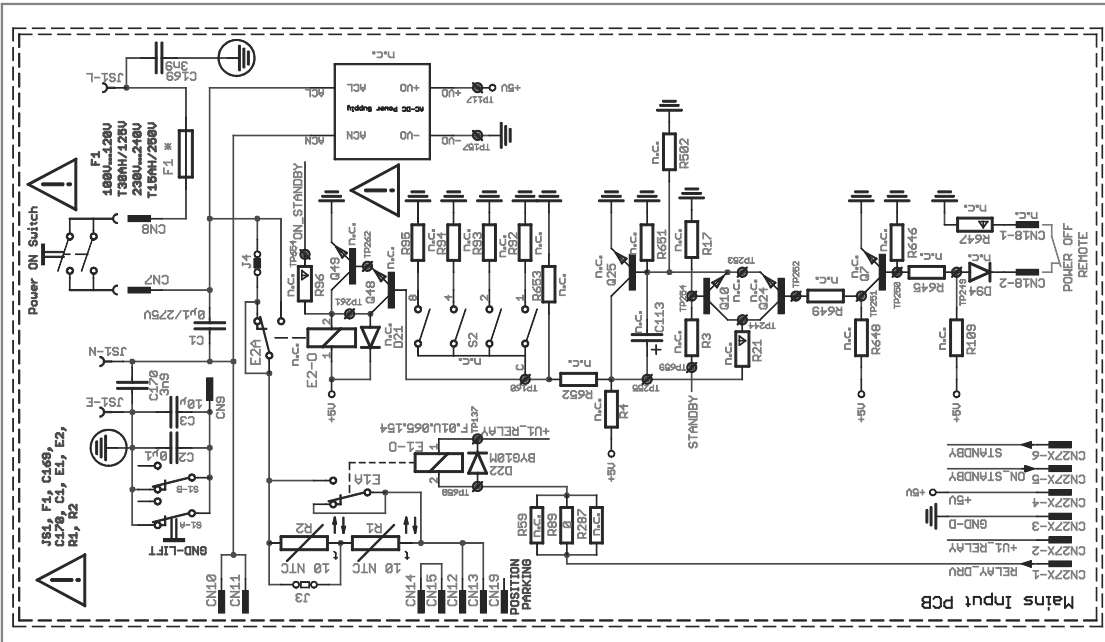


SAFETY COMPONENT MUST BE REPLACED BY ORIGINAL PART



RM1 CONNECTOR

- CH1-1 OUTPUT-A
- CH1-2 OUTPUT-B
- CH1-3 OUTPUT-C
- CH1-4 OUTPUT-D
- CH2-1 GND
- CH2-2 +15VDC
- CH2-3 +15VDC
- CH2-4 +15VDC
- CH2-5 +15VDC
- CH2-6 +15VDC
- CH2-7 +15VDC
- CH2-8 +15VDC
- CH2-9 +15VDC
- CH2-10 +15VDC
- CH2-11 +15VDC
- CH2-12 +15VDC
- CH2-13 +15VDC
- CH2-14 +15VDC
- CH2-15 +15VDC
- CH2-16 +15VDC
- CH2-17 +15VDC
- CH2-18 +15VDC
- CH2-19 +15VDC
- CH2-20 +15VDC
- CH2-21 +15VDC
- CH2-22 +15VDC
- CH2-23 +15VDC
- CH2-24 +15VDC
- CH2-25 +15VDC
- CH2-26 +15VDC
- CH2-27 +15VDC
- CH2-28 +15VDC
- CH2-29 +15VDC
- CH2-30 +15VDC
- CH2-31 +15VDC
- CH2-32 +15VDC
- CH2-33 +15VDC
- CH2-34 +15VDC
- CH2-35 +15VDC
- CH2-36 +15VDC
- CH2-37 +15VDC
- CH2-38 +15VDC
- CH2-39 +15VDC
- CH2-40 +15VDC
- CH2-41 +15VDC
- CH2-42 +15VDC
- CH2-43 +15VDC
- CH2-44 +15VDC
- CH2-45 +15VDC
- CH2-46 +15VDC
- CH2-47 +15VDC
- CH2-48 +15VDC
- CH2-49 +15VDC
- CH2-50 +15VDC
- CH2-51 +15VDC
- CH2-52 +15VDC
- CH2-53 +15VDC
- CH2-54 +15VDC
- CH2-55 +15VDC
- CH2-56 +15VDC
- CH2-57 +15VDC
- CH2-58 +15VDC
- CH2-59 +15VDC
- CH2-60 +15VDC
- CH2-61 +15VDC
- CH2-62 +15VDC
- CH2-63 +15VDC
- CH2-64 +15VDC
- CH2-65 +15VDC
- CH2-66 +15VDC
- CH2-67 +15VDC
- CH2-68 +15VDC
- CH2-69 +15VDC
- CH2-70 +15VDC
- CH2-71 +15VDC
- CH2-72 +15VDC
- CH2-73 +15VDC
- CH2-74 +15VDC
- CH2-75 +15VDC
- CH2-76 +15VDC
- CH2-77 +15VDC
- CH2-78 +15VDC
- CH2-79 +15VDC
- CH2-80 +15VDC
- CH2-81 +15VDC
- CH2-82 +15VDC
- CH2-83 +15VDC
- CH2-84 +15VDC
- CH2-85 +15VDC
- CH2-86 +15VDC
- CH2-87 +15VDC
- CH2-88 +15VDC
- CH2-89 +15VDC
- CH2-90 +15VDC
- CH2-91 +15VDC
- CH2-92 +15VDC
- CH2-93 +15VDC
- CH2-94 +15VDC
- CH2-95 +15VDC
- CH2-96 +15VDC
- CH2-97 +15VDC
- CH2-98 +15VDC
- CH2-99 +15VDC
- CH2-100 +15VDC



SAFETY COMPONENT (MUST BE REPLACED BY ORIGINAL PART)

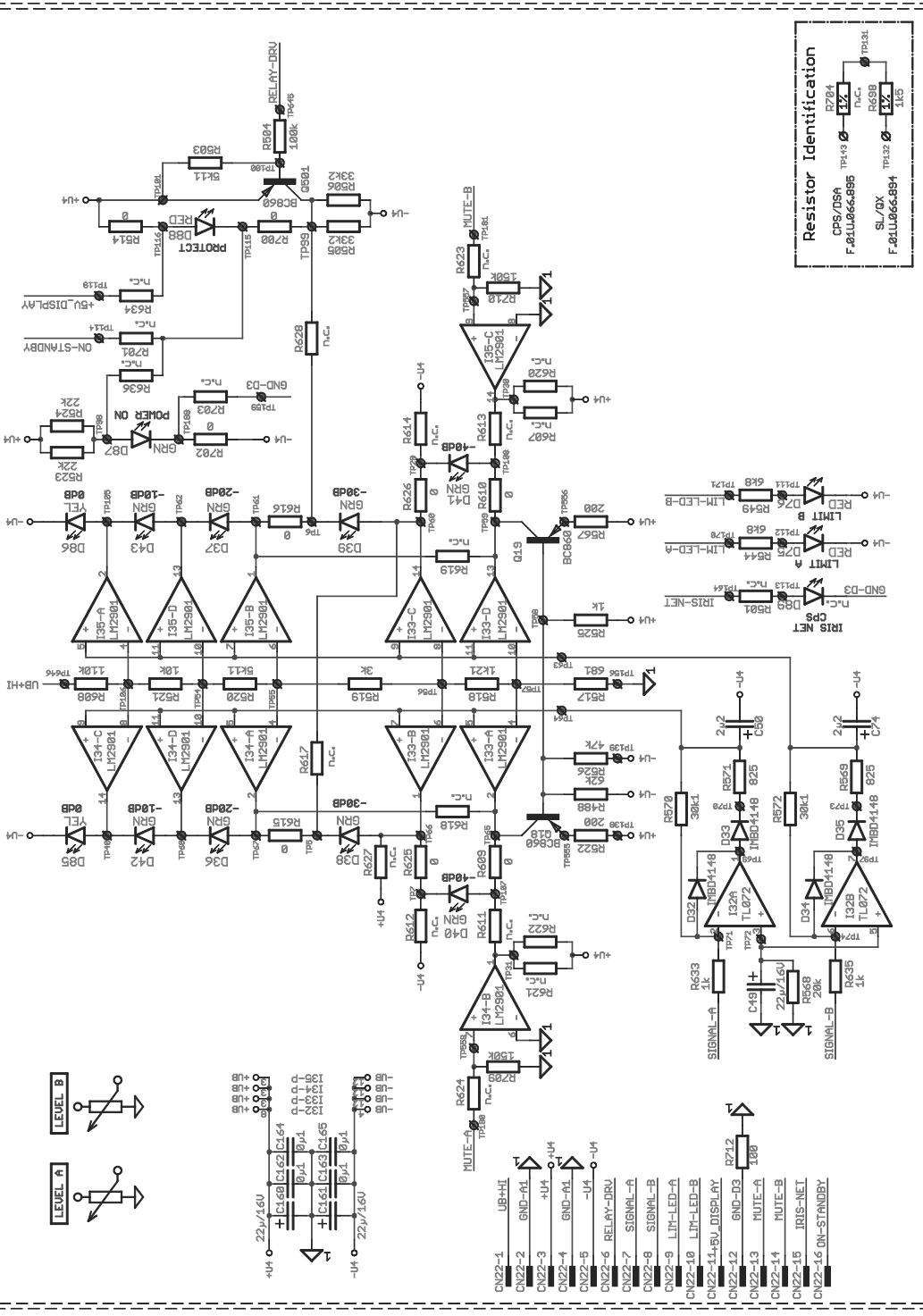
Resistor Identification

TP128	R694	1k5	SL/0 120M
TP126	R695	1k2	CPS/DSA 120M
TP125	R696	1k2	SL/0 400-900M
TP124	R697	1k2	CPS/DSA 400-900M
TP123	R698	1k2	SL/0 400-900M
TP122	R699	1k2	CPS/DSA 400-900M
TP121	R700	1k2	SL/0 400-900M
TP120	R701	1k2	CPS/DSA 400-900M

ALTERATIONS RESERVED!

Last modified:		nicht gespeichert!	
Last checked:		06.07.2009 09:50:21	
7	7.-18/279	02.08	DSC
6	7.-18/248	06.06	DSC
5	7.-18/208	03.08	DSC
4	7.-7954	02.08	DSC
3	7.-6623	08.18	Stand!
2	7.-5171	08.07	Stand!
ISSUE	REVISION	DATE	NAME
EVI AUDIO			
		Mains Input PCB	
		3/4	
		CIRCUIT DIAGRAM	
		F.01U.066.901	

Component	QTY	Part Number	Notes
D38	1	LED GRN	n.c.
D39	1	LED GRN	n.c.
D40	1	LED GRN	n.c.
D41	1	LED GRN	n.c.
D42	1	LED GRN	n.c.
D43	1	LED GRN	n.c.
D44	1	LED GRN	n.c.
D45	1	LED GRN	n.c.
D46	1	LED GRN	n.c.
D47	1	LED GRN	n.c.
D48	1	LED GRN	n.c.
D49	1	LED GRN	n.c.
D50	1	LED GRN	n.c.
D51	1	LED GRN	n.c.
D52	1	LED GRN	n.c.
D53	1	LED GRN	n.c.
D54	1	LED GRN	n.c.
D55	1	LED GRN	n.c.
D56	1	LED GRN	n.c.
D57	1	LED GRN	n.c.
D58	1	LED GRN	n.c.
D59	1	LED GRN	n.c.
D60	1	LED GRN	n.c.
D61	1	LED GRN	n.c.
D62	1	LED GRN	n.c.
D63	1	LED GRN	n.c.
D64	1	LED GRN	n.c.
D65	1	LED GRN	n.c.
D66	1	LED GRN	n.c.
D67	1	LED GRN	n.c.
D68	1	LED GRN	n.c.
D69	1	LED GRN	n.c.
D70	1	LED GRN	n.c.
D71	1	LED GRN	n.c.
D72	1	LED GRN	n.c.
D73	1	LED GRN	n.c.
D74	1	LED GRN	n.c.
D75	1	LED GRN	n.c.
D76	1	LED GRN	n.c.
D77	1	LED GRN	n.c.
D78	1	LED GRN	n.c.
D79	1	LED GRN	n.c.
D80	1	LED GRN	n.c.
D81	1	LED GRN	n.c.
D82	1	LED GRN	n.c.
D83	1	LED GRN	n.c.
D84	1	LED GRN	n.c.
D85	1	LED GRN	n.c.
D86	1	LED GRN	n.c.
D87	1	LED GRN	n.c.
D88	1	LED GRN	n.c.
D89	1	LED GRN	n.c.
D90	1	LED GRN	n.c.
D91	1	LED GRN	n.c.
D92	1	LED GRN	n.c.
D93	1	LED GRN	n.c.
D94	1	LED GRN	n.c.
D95	1	LED GRN	n.c.
D96	1	LED GRN	n.c.
D97	1	LED GRN	n.c.
D98	1	LED GRN	n.c.
D99	1	LED GRN	n.c.
D100	1	LED GRN	n.c.



ALTERATIONS RESERVED

LED Signal Display & Level Control

Last modified nicht gespeichert	
Last plotted 06.07.2009 09:50:21	
7	7-4.0278 07.08.2007
6	7-4.0268 06.08.2007
5	7-4.0258 05.08.2007
4	7-2984 02.08.2007
3	7-4628 30.07.2007
2	7-0171 30.07.2007

NAME	DATE	ISSUE
IRIS NET	06.07.2009	1
MUTE-B	06.07.2009	1
MUTE-C	06.07.2009	1
MUTE-D	06.07.2009	1
MUTE-E	06.07.2009	1
MUTE-F	06.07.2009	1
MUTE-G	06.07.2009	1
MUTE-H	06.07.2009	1
MUTE-I	06.07.2009	1
MUTE-J	06.07.2009	1
MUTE-K	06.07.2009	1
MUTE-L	06.07.2009	1
MUTE-M	06.07.2009	1
MUTE-N	06.07.2009	1
MUTE-O	06.07.2009	1
MUTE-P	06.07.2009	1
MUTE-Q	06.07.2009	1
MUTE-R	06.07.2009	1
MUTE-S	06.07.2009	1
MUTE-T	06.07.2009	1
MUTE-U	06.07.2009	1
MUTE-V	06.07.2009	1
MUTE-W	06.07.2009	1
MUTE-X	06.07.2009	1
MUTE-Y	06.07.2009	1
MUTE-Z	06.07.2009	1
MUTE-AA	06.07.2009	1
MUTE-AB	06.07.2009	1
MUTE-AC	06.07.2009	1
MUTE-AD	06.07.2009	1
MUTE-AE	06.07.2009	1
MUTE-AF	06.07.2009	1
MUTE-AG	06.07.2009	1
MUTE-AH	06.07.2009	1
MUTE-AI	06.07.2009	1
MUTE-AJ	06.07.2009	1
MUTE-AK	06.07.2009	1
MUTE-AL	06.07.2009	1
MUTE-AM	06.07.2009	1
MUTE-AN	06.07.2009	1
MUTE-AO	06.07.2009	1
MUTE-AP	06.07.2009	1
MUTE-AQ	06.07.2009	1
MUTE-AR	06.07.2009	1
MUTE-AS	06.07.2009	1
MUTE-AT	06.07.2009	1
MUTE-AU	06.07.2009	1
MUTE-AV	06.07.2009	1
MUTE-AW	06.07.2009	1
MUTE-AX	06.07.2009	1
MUTE-AY	06.07.2009	1
MUTE-AZ	06.07.2009	1
MUTE-BA	06.07.2009	1
MUTE-BB	06.07.2009	1
MUTE-BC	06.07.2009	1
MUTE-BD	06.07.2009	1
MUTE-BE	06.07.2009	1
MUTE-BF	06.07.2009	1
MUTE-BG	06.07.2009	1
MUTE-BH	06.07.2009	1
MUTE-BI	06.07.2009	1
MUTE-BJ	06.07.2009	1
MUTE-BK	06.07.2009	1
MUTE-BL	06.07.2009	1
MUTE-BM	06.07.2009	1
MUTE-BN	06.07.2009	1
MUTE-BO	06.07.2009	1
MUTE-BS	06.07.2009	1
MUTE-BT	06.07.2009	1
MUTE-BU	06.07.2009	1
MUTE-BV	06.07.2009	1
MUTE-BW	06.07.2009	1
MUTE-BX	06.07.2009	1
MUTE-BY	06.07.2009	1
MUTE-BZ	06.07.2009	1
MUTE-CA	06.07.2009	1
MUTE-CB	06.07.2009	1
MUTE-CC	06.07.2009	1
MUTE-CD	06.07.2009	1
MUTE-CE	06.07.2009	1
MUTE-CF	06.07.2009	1
MUTE-CG	06.07.2009	1
MUTE-CH	06.07.2009	1
MUTE-CI	06.07.2009	1
MUTE-CJ	06.07.2009	1
MUTE-CK	06.07.2009	1
MUTE-CL	06.07.2009	1
MUTE-CM	06.07.2009	1
MUTE-CN	06.07.2009	1
MUTE-CP	06.07.2009	1
MUTE-CQ	06.07.2009	1
MUTE-CR	06.07.2009	1
MUTE-CS	06.07.2009	1
MUTE-CT	06.07.2009	1
MUTE-CU	06.07.2009	1
MUTE-CV	06.07.2009	1
MUTE-CW	06.07.2009	1
MUTE-CX	06.07.2009	1
MUTE-CY	06.07.2009	1
MUTE-CZ	06.07.2009	1
MUTE-DA	06.07.2009	1
MUTE-DB	06.07.2009	1
MUTE-DC	06.07.2009	1
MUTE-DD	06.07.2009	1
MUTE-DE	06.07.2009	1
MUTE-DF	06.07.2009	1
MUTE-DG	06.07.2009	1
MUTE-DH	06.07.2009	1
MUTE-DI	06.07.2009	1
MUTE-DJ	06.07.2009	1
MUTE-DK	06.07.2009	1
MUTE-DM	06.07.2009	1
MUTE-DN	06.07.2009	1
MUTE-DO	06.07.2009	1
MUTE-DS	06.07.2009	1
MUTE-DT	06.07.2009	1
MUTE-DU	06.07.2009	1
MUTE-DV	06.07.2009	1
MUTE-DW	06.07.2009	1
MUTE-DX	06.07.2009	1
MUTE-DY	06.07.2009	1
MUTE-DZ	06.07.2009	1
MUTE-EA	06.07.2009	1
MUTE-EB	06.07.2009	1
MUTE-EC	06.07.2009	1
MUTE-ED	06.07.2009	1
MUTE-EE	06.07.2009	1
MUTE-EF	06.07.2009	1
MUTE-EG	06.07.2009	1
MUTE-EH	06.07.2009	1
MUTE-EI	06.07.2009	1
MUTE-EJ	06.07.2009	1
MUTE-EK	06.07.2009	1
MUTE-EL	06.07.2009	1
MUTE-EM	06.07.2009	1
MUTE-EN	06.07.2009	1
MUTE-EO	06.07.2009	1
MUTE-ES	06.07.2009	1
MUTE-ET	06.07.2009	1
MUTE-EU	06.07.2009	1
MUTE-EV	06.07.2009	1
MUTE-EW	06.07.2009	1
MUTE-EX	06.07.2009	1
MUTE-EY	06.07.2009	1
MUTE-EZ	06.07.2009	1
MUTE-FA	06.07.2009	1
MUTE-FB	06.07.2009	1
MUTE-FC	06.07.2009	1
MUTE-FD	06.07.2009	1
MUTE-FE	06.07.2009	1
MUTE-FG	06.07.2009	1
MUTE-FH	06.07.2009	1
MUTE-FI	06.07.2009	1
MUTE-FJ	06.07.2009	1
MUTE-FK	06.07.2009	1
MUTE-FL	06.07.2009	1
MUTE-FM	06.07.2009	1
MUTE-FN	06.07.2009	1
MUTE-FO	06.07.2009	1
MUTE-FS	06.07.2009	1
MUTE-FT	06.07.2009	1
MUTE-FU	06.07.2009	1
MUTE-FV	06.07.2009	1
MUTE-FW	06.07.2009	1
MUTE-FX	06.07.2009	1
MUTE-FY	06.07.2009	1
MUTE-FZ	06.07.2009	1
MUTE-GA	06.07.2009	1
MUTE-GB	06.07.2009	1
MUTE-GC	06.07.2009	1
MUTE-GD	06.07.2009	1
MUTE-GE	06.07.2009	1
MUTE-GF	06.07.2009	1
MUTE-GG	06.07.2009	1
MUTE-GH	06.07.2009	1
MUTE-GI	06.07.2009	1
MUTE-GJ	06.07.2009	1
MUTE-GK	06.07.2009	1
MUTE-GL	06.07.2009	1
MUTE-GM	06.07.2009	1
MUTE-GN	06.07.2009	1
MUTE-GO	06.07.2009	1
MUTE-GS	06.07.2009	1
MUTE-GT	06.07.2009	1
MUTE-GU	06.07.2009	1
MUTE-GV	06.07.2009	1
MUTE-GW	06.07.2009	1
MUTE-GX	06.07.2009	1
MUTE-GY	06.07.2009	1
MUTE-GZ	06.07.2009	1
MUTE-HA	06.07.2009	1
MUTE-HB	06.07.2009	1
MUTE-HC	06.07.2009	1
MUTE-HD	06.07.2009	1
MUTE-HE	06.07.2009	1
MUTE-HF	06.07.2009	1
MUTE-HG	06.07.2009	1
MUTE-HH	06.07.2009	1
MUTE-HI	06.07.2009	1
MUTE-HJ	06.07.2009	1
MUTE-HK	06.07.2009	1
MUTE-HL	06.07.2009	1
MUTE-HM	06.07.2009	1
MUTE-HN	06.07.2009	1
MUTE-HO	06.07.2009	1
MUTE-HS	06.07.2009	1
MUTE-HT	06.07.2009	1
MUTE-HU	06.07.2009	1
MUTE-HV	06.07.2009	1
MUTE-HW	06.07.2009	1
MUTE-HX	06.07.2009	1
MUTE-HY	06.07.2009	1
MUTE-HZ	06.07.2009	1
MUTE-IA	06.07.2009	1
MUTE-IB	06.07.2009	1
MUTE-IC	06.07.2009	1
MUTE-ID	06.07.2009	1
MUTE-IE	06.07.2009	1
MUTE-IF	06.07.2009	1
MUTE-IG	06.07.2009	1
MUTE-IH	06.07.2009	1
MUTE-II	06.07.2009	1
MUTE-IJ	06.07.2009	1
MUTE-IK	06.07.2009	1
MUTE-IL	06.07.2009	1
MUTE-IM	06.07.2009	1
MUTE-IN	06.07.2009	1
MUTE-IO	06.07.2009	1
MUTE-IS	06.07.2009	1
MUTE-IT	06.07.2009	1
MUTE-IU	06.07.2009	1
MUTE-IV	06.07.2009	1
MUTE-IW	06.07.2009	1
MUTE-IX	06.07.2009	1
MUTE-IY	06.07.2009	1
MUTE-IZ	06.07.2009	1
MUTE-JA	06.07.2009	1
MUTE-JB	06.07.2009	1
MUTE-JC	06.07.2009	1
MUTE-JD	06.07.2009	1
MUTE-JE	06.07.2009	1
MUTE-JF	06.07.2009	1
MUTE-JG	06.07.2009	1
MUTE-JH	06.07.2009	1
MUTE-JI	06.07.2009	1
MUTE-JJ		