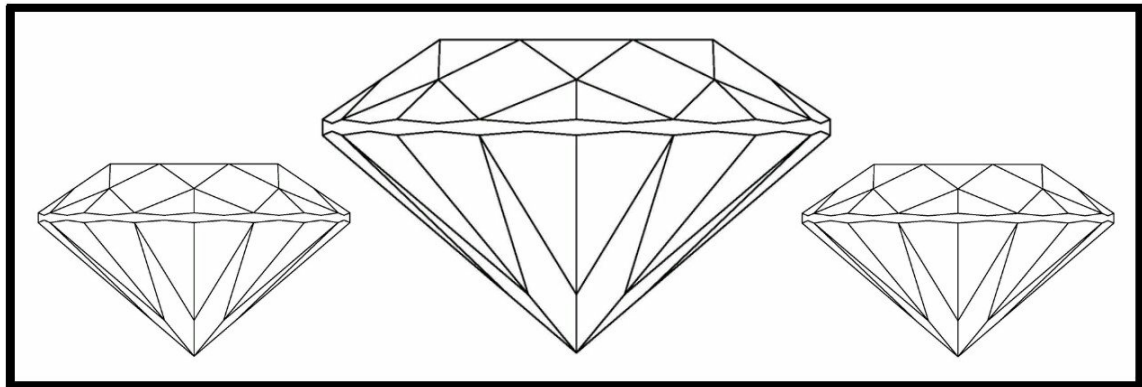


---

**The Federal Government of**  
**The Imperium of Diamond's**



---

**Good Day for the World Bank Group**

**Dear President of the World Bank Jim Yong Kim  
& The International Bank for Reconstruction and Development**

---

Monday, April 17, 2017

---

**The King Gottwald Peter**  
**The Imperium of Diamond's**



<http://www.TheImperiumofDiamondsGovernment.populiser.com>

---

---

# Good Day for the World Bank Group

## Dear President of the World Bank Jim Yong Kim

---

I King Gottwald Peter, King of the Imperium of Diamond's, reaffirms my interest in our cooperation and my interests in our partnership for the purpose of the Global Development of States and Civilizations.

Today, it is in my interest to better describe the strategies for our cooperation and achieve this and our common goal of success.

My bid is first and foremost to enable your Bank, to establish an official branch in relation to my country, and thus to build on our cooperation, which will enable us to take full steps for our joint development.

This is an advantageous step for you and a much more advantaged progress for your state partners and governments that will gain many new development opportunities as well as resources and inspiration.

Our cooperation will really allow for a lot of possibilities and will create a new horizons of resources and intelligence for your partner organizations and groups that are interested in humanitarian missions, development, financial administration and, above all, logistics intelligence.

Our cooperation is also beneficial for my party, so it is real that I also very much appreciate your interest in our cooperation.

The current state of my government, against the actively establishing stability and the nature of the difference in the capital strength of the federal economy as multy states, creates my condition for creating our cooperation according to the conditions determining the stability strategy at the level of the International difference of economy, such equivalence and also in response to the statistics of global consumption that differs from the standardization of the ID's government if it is a member of your banking organization.

Therefore, it is also in my interest to establish cooperation with your bank, just as the State ID's Diamond Oasis North East Africa Bir Tawil, above the base of the economy based on the sum of GDP and such coins, different from the federal GDP.

I do not think it is a bad thing for your bank but in the same direction I do not see the benefit of using the value of such a size of finances arising from the government's ID's obligation to secure payouts for its membership in a Banking organization that, in today's world economy be comparison between values, is a period of more than a hundred years for use, and global deflation efect. Therefore, I will have to be forced to step some independence from your World Bank Group, in the look of ID's federal name.

The ID's Diamond Oasis Civilization Development Plan is based on the capacity of the value register of projects and plans for development, as well as the claimed values from the analysis of social and corporate consumption in state development sum and strategy.

The value of ID's Diamond Oasis, however, outstrips the economic dimensions of the Earth's annual GDP, and therefore I do not see any problem with this version of cooperation, and especially if the full federal powers of the ID's government are an economic standard, only a debt that is not active on development due to the current opposition Terrorist blockades, and in the same state, the development of this majority percentage is determined only in the second phase, after the act of

civilization stabilization of ID's Diamond Oasis North East Africa Bir Tawil Earth, and because of the current destabilizing situation.

Civilization of the legal nature of ID's federal government needs reconstruction cooperation, but in the same interest, I hereby confirm that the government's own logistics resources are sufficiently responsible for self-sufficiency and self-development, and that the federal government Imperium of Diamonds owns its own finances and financial values To develop internationally on global markets, to establish foreign affiliates for corporations, to expand their own resource network, or to use co-operation with corporations and banks around the world, or to establish private deals with country governments. Stabilization strategies are exhilarating and suitable for legal implementation under international systems, but there are still complications with the terrorist blockade of European criminal states that are acting against International law.

If your Bank has an important strategy for Federal ID's membership, then I offer co-operation under the strategy of some form of limitation on mandatory input from Member States, according to the direct line of the level of the international economy, which will be a member fee for states that go beyond that line level. Then I am ready to join our contacts immediately and in the full form of the Federation's legal name, but also depending on the decision of other states in the federation, during the first stages of their development in the act of federalization and thus with dependence on their integrity rights as a partially federal state.

In my opinion, the extent of the value of the bank's capital property is not important, but only how the bank can manipulate client finances and its own strategies, which consequently bring profit to the bank, and thus determine the size of the bank's capital. If your bank can use the intelligent logistics intelligence between resource providers and other consumer entities, it will definitely make for your bank capital a much better return and a much better collaboration from your members who will be so much more valuable to your services.

The bank is to serve clients and maintain their integrity. Such a target of the bank is the best strategy for self-development and without competition the resilience of other entities in the opposition, and thus the certainty of the constant trust of suitability.

Certainly, however, according to the current state, I for your World Bank Group can offer meager forms of cooperation and beneficial partnership in many other ways, and I also affirm that our cooperation is strategically advantageous especially for you, much more than the responsibility for me, I therefore ask for full cooperation according to real intentions and development possibilities.

My interests are to establish a co-operation with your member of the ICSID, International Centre for Settlement of Investment Disputes where it is possible to ensure the first stable foundation on the level of international co-operation and the certainty of the legal commitment, but to this day I am able to cope with our own enforcement strategies using the principles of UN International law I am convinced today that I will build secret contracts for cooperation between legal enforcement and joint arbitration, but it will still be in my interest to extend cooperation with you as well.

International Monetary Fund, my interest in co-operation can also be for the purpose of securing the exchange of ID's bank's DMD's currency, the currency of the foreign currency, and the best option to allow for a better own position to establish a better network of financial transfers between banks abroad in co-operation with other banks in your network Organized enterprise. In the same interest, I ask for the possibility of ratification of the ID's currency, in order to guarantee payment values.

I'm sure I'm willing to deliver the deposit capital as soon as possible in the US Dollars and Gold. Today my country is under formal occupation as a blockade, and therefore I am able to guarantee only my own currency.

International Investment Guarantee Agency, it is in my interest to carry out our cooperation and thereby also ensure the ability to develop together at an international level. I certainly support the development of joint programming and membership in interactive cooperation.

My membership as an ID's government in relation to the International Bank for Reconstruction and Development, with membership only on the ID's Diamond Oasis scale according to the active economy, but also allows for cooperation that opens up for your World Bank Group, many ID's federation partnerships, Allowing for extensive cooperation with your group's agencies, and thus, often, advantageous cooperation at the World Trade and Development Network.

International Finance Corporation, it is in my interest to work together to ensure the administration and development of its offices, thereby enabling the development of a network of civilization markets. My personal intellectual abilities are capable of ensuring the development of civilization markets above the level of global standards, so I am also a good partner for your World Bank Group. One of my collaborative offerings is, for example, the Global Multy Offshore cooperation system as an office for the management and development of new foreign corporation branches, and from this interest also to further enable the development of own civilization networks of enterprises with the full value of a state seat in the ID's government. I certainly also give you the opportunity to use ID's bilateral co-operation plan above the investment base of € 1,000,000,000,000 in the DMD currency, allowing for significant operational activities in the global structure of markets and economies.

Today, from the interest of my own stabilization strategy, I need to get co-operation at the level of the administrations of the finance and development authorities of my governments, the authorities, which will enable the activation of the legal management of the state finances of the Imperium of Diamond's legal government to activate the development markets immediately.

ID's Diamond Oasis, It is already known to me that in the first year I will be in the interest of member contributions to deliver around \$ 300,000,000,000 in DMD currency and in the year 2020 I can statistically pay more than \$ 10,000,000,000,000 in DMD currency. In my view, it is acceptable to today's global economic differences.

My countries and governments suffer from destabilization and I must therefore be forced to use, if necessary, the substitution and representation of my country, according to the agreements in your system's interest.

If your bank accepts our cooperation and my criteria as a special form of partnership, in terms of your global structure, it is the first year for you to open up the logistics to use the ID's Government Development Fund, made up of the ID's International currency of the Federal ID's, Will allow you, in particular, the right of your strategic manipulation according to the ID's development goals, and so logistically trade in the value of the financial strength of € 189,000,000,000,000 (DMD) at a bilateral frequency to each country with a fund deposit of € 1,000,000,000,000 in DMD.

The funds are designed for development according to the strategy of developmental interest of Imperium of Diamond's civilization stabilization on the territory of their own territories, thus using international trade cooperation, as well as partner logistics and financial administration in co-operation with legal institutions in the trade and banking section or organizing business law.

Therefore, your bank can use its ID's capacities according to this budget, thereby

securing consumption as a purchase of products, renting processing or transport services, and also strategically expanding its ability to develop development strategies in foreign countries, which can therefore also benefit from the growth rights from such profits.

The investment value of € 1,000,000,000,000 in DMD is really a significant factor in venture capital and therefore many governments of the world and the world can use this consumer capital for truly developed country, civilization, agriculture, industry and infrastructure as well. A truly strategically immediate problem with many world risks of poverty, a lack of civilization resources, or a weakness in finances and intellectual capacity.

Stabilization and other international ID's cooperation on the global economic market will also be developed for partnerships with other financial institutions and I therefore like to support projects in the form of multilateral institutions of financial institutions that can jointly apply a unified logistics and thus establish their own partnership agreements which really They are expanding their ability to develop to a real global level. I therefore believe that your partnership is really beneficial.

The act of stabilizing and establishing co-operation in a stand-alone financial network under this strategy will also be sought from other multilateral banks, such as, for example,

International Fund for Agricultural Development (IFAD), Islamic Development Bank (IsDB), Asian Development Bank (ADB), CAF - Development Bank of Latin America (CAF), Inter-American Development Bank Group (IDB, IADB), African Development Bank (AfDB), Asian Infrastructure Investment Bank (AIIB), as well as institutions such as

International Finance Facility for Immunisation (IFFIm), International Fund for Agricultural Development (IFAD), Nordic Investment Bank (NIB), OPEC Fund for International Development (OFID), Nederlandse Financieringsmaatschappij voor Ontwikkelingslanden NV (FMO), International Investment Bank (IIB), Arab Bank for Economic Development in Africa (BADEA), as the core structure of major Multilateral Banks, but continues to be interested in cooperating with Sub-regional Banks like,

Caribbean Development Bank (CDB), Central American Bank for Economic Integration (CABEI), East African Development Bank (EADB), West African Development Bank (BOAD), Black Sea Trade and Development Bank (BSTDB), Economic Cooperation Organization Trade and Development Bank (ETDB), Eurasian Development Bank (EDB), New Development Bank (NDB) (formerly BRICS Development Bank), and further to international trade and business law from the point of view of the States, the other Bilateral Development Banks and agencies will be contacted; National banks from which trade unions may also emerge, also establishing international trade agreements and trade between states.

This will also create the option of a primary strategy and the creation of a global multilateral for ID's stabilization cooperation, as well as the use of the ID's Fund, which is designed for business operational logistics. Your Bank, together with other financial institutions, can build a structure of significant dominant markets that can grow in profit strategy for all parties, and your financial institution is thus gaining significant financial capital in the form of profit. This also means a double profit for your institution. The first gain for operational and development activity, and the second gain of allowing ID's government, such as ID's Diamond Oasis membership in the Governing Line, thus securing the ID's government's duty to issue a membership fee.

But first of all, my interest, due to my current situation, I primarily request the

creation of a certain format of my rent for the staff of your Bank and other Banks and financial institutions with the interest of ID's partnership to ensure cooperation that creates a certain form of ID's treasury & economics, this means allowing for proven financial manipulation and status calculations, as well as ID's bank accounts, as well as planning international business co-operation and representation in relation to the world trade structure.

With a simple description, I am asking in particular for the right to cooperate as a rental service of an ID's Central Bank of Federation. The crowd is done by your Bank's strategy and, of course, according to the ID's principles, market regulation and such trading manipulation in the form of state jurisdiction.

If your bank uses these demands of our cooperation, yes, you can really drastically strengthen the civilization values of all your bank's state partners, and such civilizations achieve success in the size of the most developed countries of the world, as Italy, the Netherlands, Brazil, Even with the ability to succeed in the size of the economy of France or Germany, the United States of America, China, or Japan.

I am willing to demonstrate the real value of ratification of my country's Imperium of Diamond's economy, an economy based today on the values of legal planning for civilization development, and also in line with international legal claims for compensation from terrorist groups that are detrimental to this development. This is a formal way, the value of the economy is confirmed by the sum of the bond claim for full compensation, but also as a right establishing today a development strategy for stabilization.

The claim of debt is legal in accordance with the international legal principles of judicial arbitration, but also with the principles of consensus in the UNGA conventions on political and civil rights, the conventions on the rights of states for their economic, cultural and social interests, the other UNGA conventions, And the general rules of International Humanitarian Law, which are in the interest of ID's government to confirm for the implementation of their own Partnership Declarations.

Furthermore, in the interest of the UNGA conventions, it is indeed confirmed that the Imperium of Diamonds federal government thus holds fully open rights for self-development on the global line and for the purpose of full cooperation between legal business entities and, therefore, your World Bank Group, and such a partnership It is really mutually beneficial to us.

The federal government, the Imperium of Diamonds, is interested in developing its own civilization, which is dedicated to the population's capacities of 10,000,000 people in the first development year, and also to ID's Global Migration and Immigration Strategy, Refugees and Immigration, Persons who have the right to confirm their citizenship entitlement. The ID's government also uses certain values of scientific intelligence that can ensure the capacity of self-regulation and full capacity of the population and population of ID's territories, but such practices will only be used from the date of the stabilization start.

ID's Diamond Oasis North East Africa as a territory in the first year opened for ten million people and with a development strategy to a population sum of 150,000,000 people within ten years.

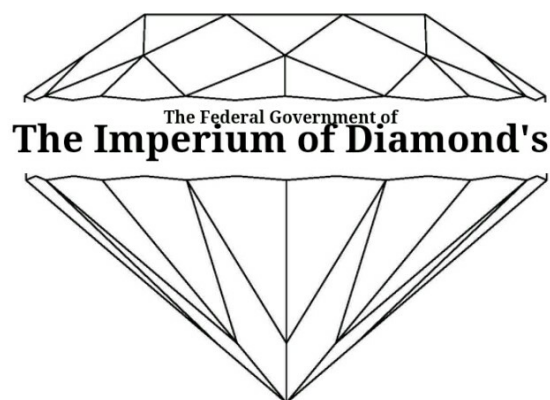
One of my offers is also to enable our co-operation through the ID's format of the constitutional unit which, above the foundation of our own institutional integrity, allows us to create a regular council and council of all banks around the world, multilateral, bilateral and state-owned banks that have the opportunity to jointly negotiate at the conference and summit, To set up joint investment plans and development agreements, to develop common funds, and to shape their own corporate network strategies at the global level of world trade.

This ID's constitutional department is capable of being a global conference of the Bank and the Financial Institutions for the possibility of a friendly forum and joint planning of world market intelligence, development projects and business cooperation between institutions, as well as between corporations and other corporations, above the UNGA The Convention on Trade, as well as the sovereign rights and jurisdiction of the States, as well as state commitments to international treaties such as the WTO Agreement and other agreements of a regional and global nature.

The Banks Council thus operates as an international G20-level association and other Multilateral Economic Conferences of States and Financial Institutions. Today's world of trade thus gains a significant opportunity to develop at the level of real logistics of world trade representatives, and also for the purpose of developing a better future for human civilizations.

Offer of this partnership factor or document structure in every interest In the case of confirmation of our cooperation of any kind, the federal government of Imperium of Diamonds is already in the stabilization phase able to support the involvement of co-operation with agencies and organizations in your affiliate as an alliance; This will allow for our joint act of high-capacity development.

The first development plan of ID's Diamond Oasis Territorial Civilization, the construction of civilization for 10,000,000 people, is based on the planning of the real ability to create industrial centers that make it possible to create such a residential and commercial city only within twenty days of the beginning of the city's construction.



## Easy Statistical plan (News Dispatch):

*Machinery for mining processing of raw materials, production of 3 billion cubic meters per hour. The machine can for 1,333,333 of full utilization of mining the surface of the whole planet Earth.*

*One skyscraper is built in geometric normalization for 800 people, a partnership apartment building skyscraper as 12,500 residential zone. Number of traverse is 2.6 billion, the overall dimensions of residential areas is 300 million square meters, whilst 123 billion meter cube.*

*Acreage of the living city with commercial space is indicated norm 1.225 billion square meters, with a total sum of geometric principles as 612.5 billion cubic meters.*

*Production of beams will be created which will allow for capacity building this city into a period of 17.2656 days. Ironworks industrial zone will be in sizes of 12 000 melting furnace and basic infrastructure industry, with a total area of silo 66 million cubic meters. Ironworks is built for the purpose to build a city. Ironworks will it use to build other projects, centers and special trade missions, industry and building refurbishment. Opening up the possibilities for economic development by a factor " Skyscraper construction every day. "*

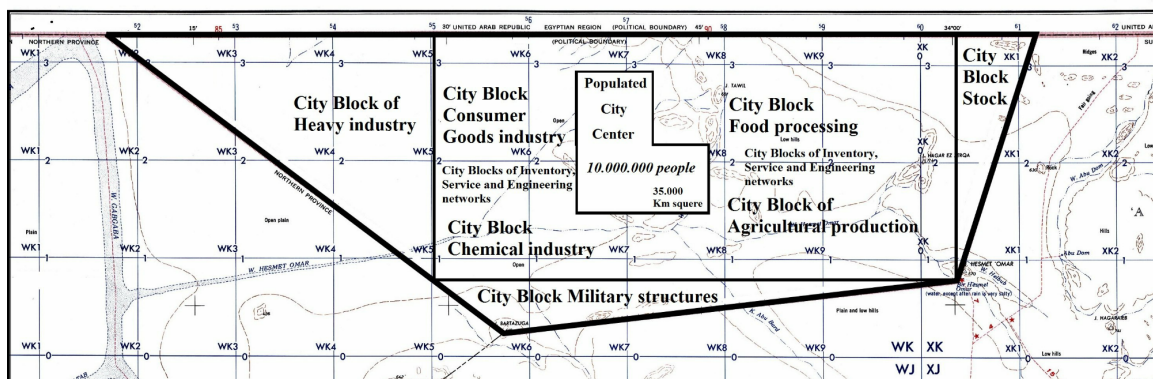
*Center for the production of concrete is the use of standardization dimension, 3,125,000 cubic meters. Production of concrete for the construction of the city have been required to have at least 5,468,750,000 cubic meters of concrete. The production will be in full closure phase within 18 days.*

*Transport system, high-capacity traffic, in the first phase for initial rough construction will be used only 700 cars. Transport capacity is sufficient for construction purposes.*

*This creates a budget for the construction of residential areas from a skyscraper for 10 million people. 20 days of construction.*

*Subsequently, a goal is to build a center for agriculture and industrial zone of another class and category. Construction of the entire dimension of the civilization will be a lengthy 380 days.*

## The Imperium of Diamond's Federal Government - Federal Territory of The Bir Tawil, North Africa

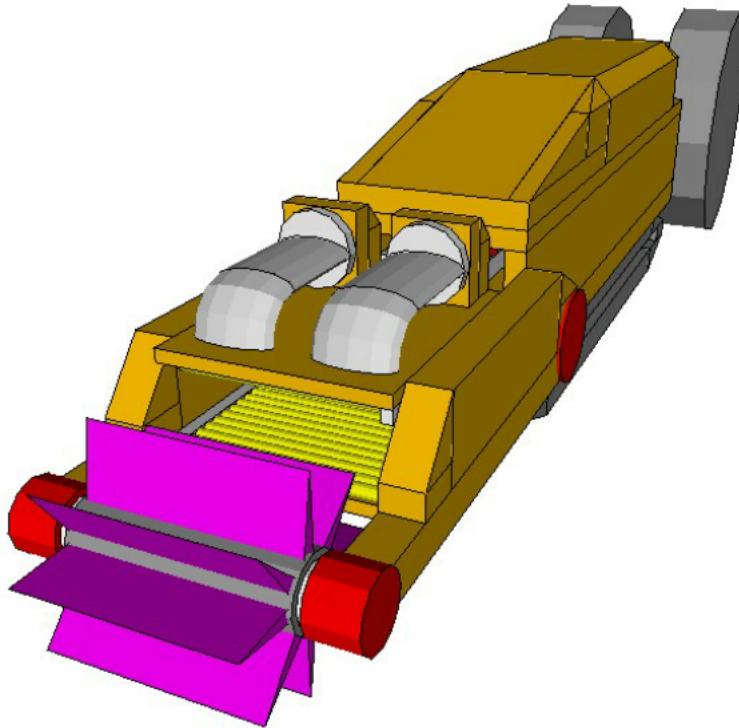


Federal Government Imperium of Diamond's  
[www.TheImperiumofDiamondsGovernment.populiser.com](http://www.TheImperiumofDiamondsGovernment.populiser.com)



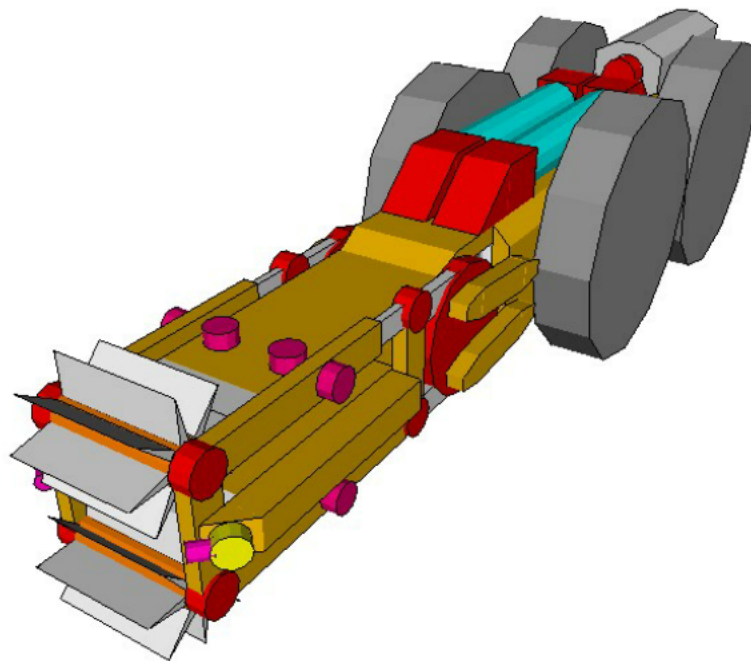
### **Mining truck V.01.1**

©™ Technology construction for raw ground mining, special systems of material pascalization and transform into handling cube, special system for physical isolation of mining process and use function in space without gravity, technology too use special enginess for drill rotation, and transport, capacity mining for 3 100 000 000 cubic meters in 1 hour.



### **Mining Truck V.01.2**

Special mining truck with raw mining capacity, 180000000000 cubic meters in one hour. Technology use special lasers for mining.



## **Bricks factory**

*ID's Autonomous industrial production of ceramic bricks and ceramic building materials.*

*The first building the size of  $50 \times 50 \times 200$  m is used for the processing of coarse clay loam to clean the dirt that can be used in the ceramic manufacturing industry and construction. The clay is then mixed with water which produces clay gelatin. Clay can be mixed also with special materials, such as fusible crystals, glass crystals, other material suitable for atomic combinations. Clay goes farther into production lines where it is processed at even clay bricks the size of a standard diameter of  $25 \times 15 \times 10$  cm. The standard rate may be different.*

*Every one second, can be productive standard, for example through  $100 \times 1000 \times 100$  bricks, it means 10 million bricks.*

*Bricks are subsequently piled on autonomous belt which imports bricks into a second zone, drying greenhouses which are based on their own degree,  $50 \times 50 \times 200$  meters pedestal. A furnace needs an average of 48 bases for the purpose of stable production capability without gaps. Bricks are inserted into a greenhouse using robotic lifts which consist of bricks in tiers.*

*Each greenhouse has over  $60^\circ$  C. The greenhouse is connected to atmospheric filtration systems when exhausting moist air from a fan and therefore the ability to provide isolation of steam and its backward returning to the liquid state in the water tanks. The system maintains water recycling and water management function.*

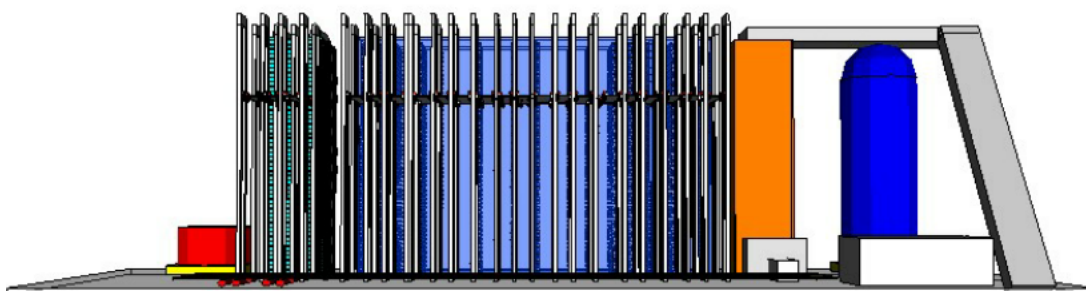
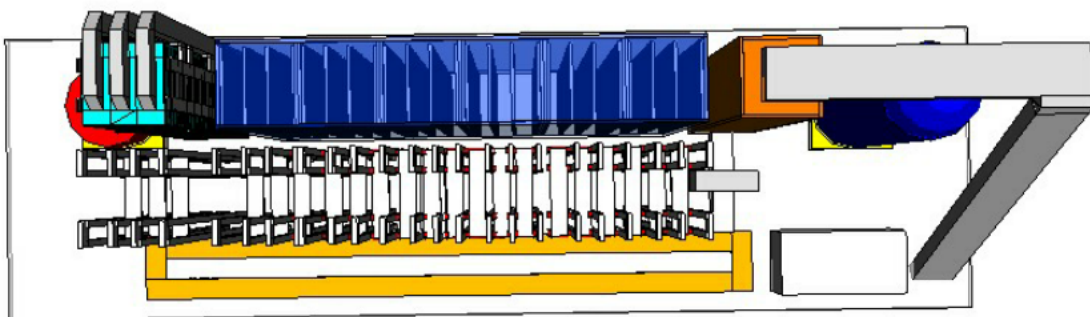
*Each brick can dry within a period of 2 days. Every hour is pull out one floor bricks, which will be followed by a robotic belt to move the lift lines at the kiln.*

*Kiln is the size of  $50 \times 50 \times 200$  meters. Kiln only electricity for the ability to burn ceramics and bricks. Bricks are burned in an average of 1 hour.*

*Burnt brick then wander into a transport center that will ensure distribution to the market.*

*Industrial center is autonomous function 24 hours a day, seven days a week.*

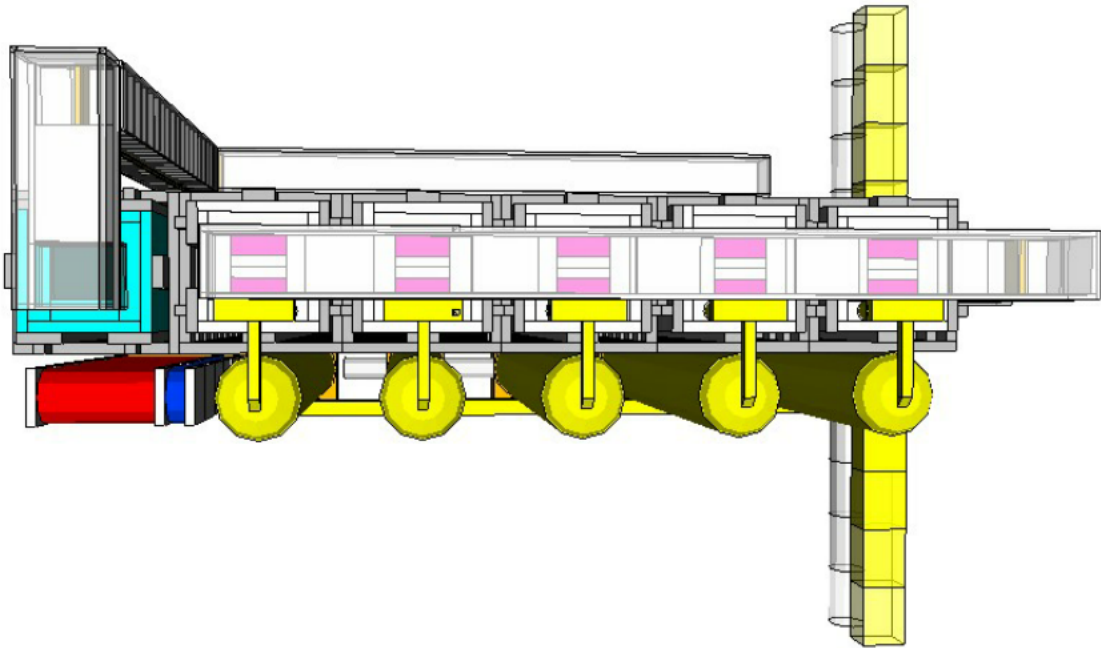
*The Bricks as development material, have begining in countries of Islamic states, to today most great part of world history of Architecture.*



### **Metalurgy and steel production:**

*Metalurgy, five heavy melt houses, 5 × 50 × 12 × 11 meters (5 houses, high hydrogen), gass tanker, autonome infrastructure for distribution of sources and melting iron second distribution into low melt house (electrolise) where is source transform into steel, and use in next industry. Oxide gasses is stored and chemicaly transform for posibility of next industrtrial use, meanly as "©energies".*

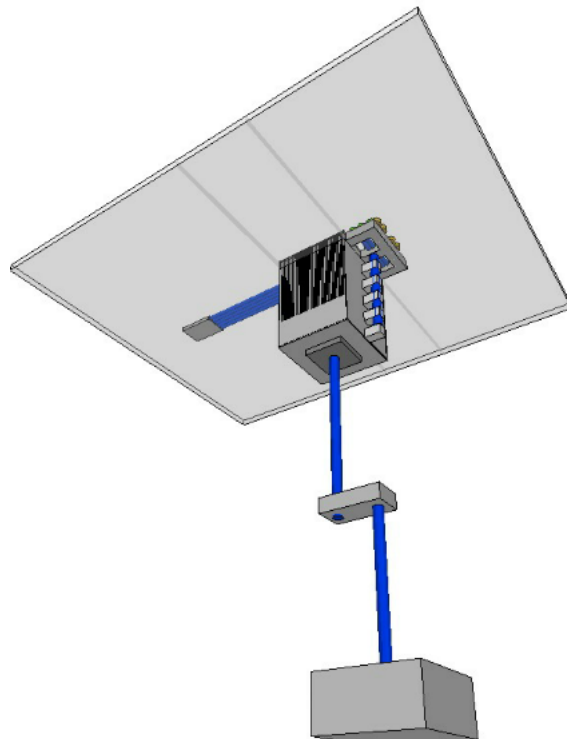
*ID's plan development of 12 000 heavy melts houses, theoretical space capacity for 900 × 1000 × 150 meters, production of 65.056.875.000 T of steel, in 17 days. Full autonome process and infrastructure.*



### **Water Tank and cyclation**

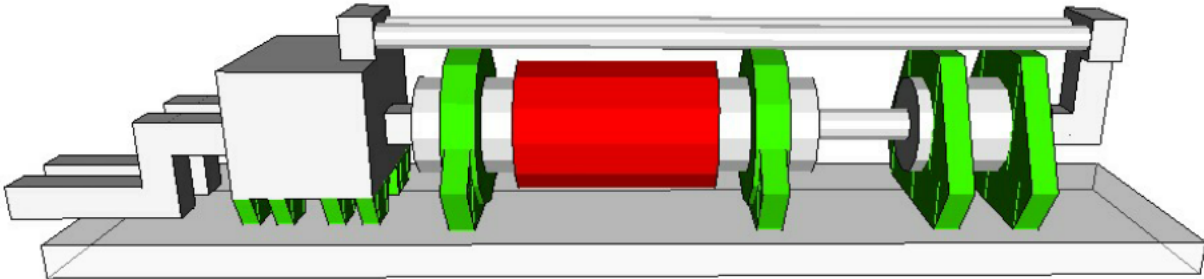
*ID's water tanks, one tank have parameters 700 × 500 × 500 meters, water source be Underground (20 000 meters) pipeline and be water handling with levitation ship's (ID's Diamond Oasis, Orbital space, International waters). Plan is open for development between 10 days of construction, capacity for consumption of 10 000 000 people.*

*Water mining, water purification, water recylation, water handling, watet tanks.*



### **Electro power plant:**

© *Electro generator with production of power capacity 10 000 MWatt per hour, next level 100 000 MW/h.*

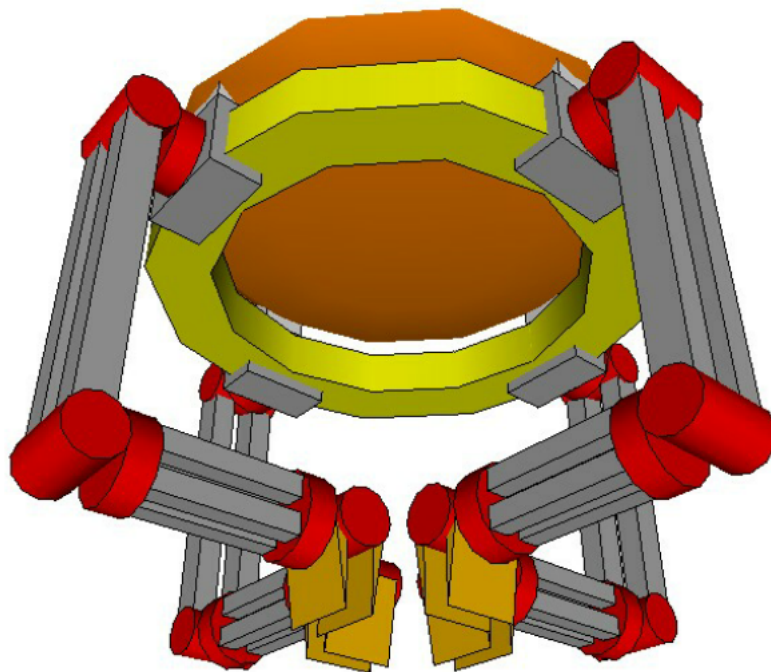


### **Technology construction**

*Autonome technology for skyscraper development, construct and repair. Technology have own processor intelligence with synchronization system for connectability with central navigation computer who direct Building probe according architecture plan, and codex of building material under their management.*

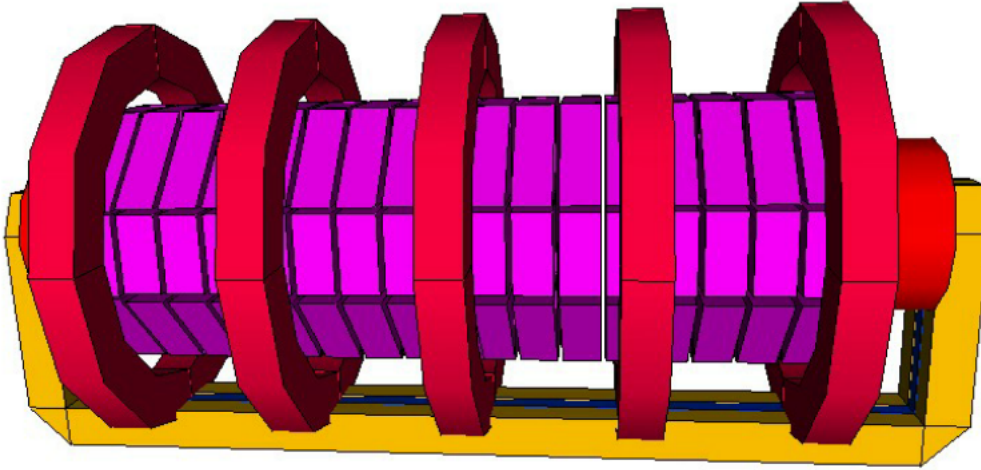
*Technology autonome construct parts of plan and develop skyscrapers, ships, high constructions.*

*Robotic system, own energy source in radio site, levitation, detail pixelization in digital architect plan and steps of construction, high speed and management cooperation. System can build one skyscraper between one single hour. Open for ID's development 1998-2000, now and all times until success.*

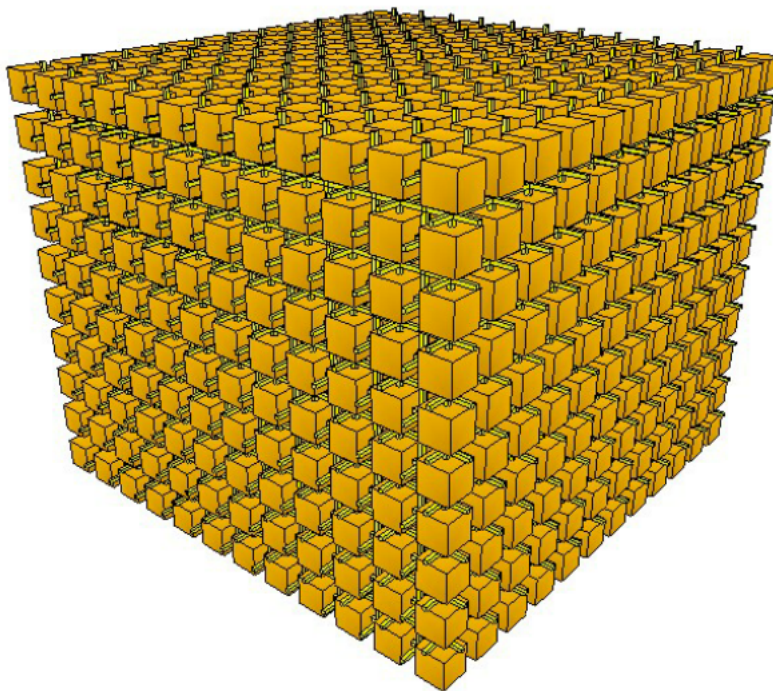


## Electronic Development industries

*Otevřeno pro zakládání Multy Konsorcií v Elektronickém průmyslu, 1 továrna 1000 x 1000 x 500 m výroba procesorů v průmyslovém sektoru produkce Univerzálních lodí, 500 000 000 metrů krychlových, = 6 600 000 buněk pro výrobu procesorů, 1 zóna = 461 700 620 500 počet procesorů každých 45 minut. 14 774 000 000 000 procesorů každý den, a 5 393 000 000 000 000 procesorů ročně, proto měsíčně 180 000 000 000 000 procesorů.*



*Procesor in 3D geometric architecture, 1 200 cores in one procesor.*



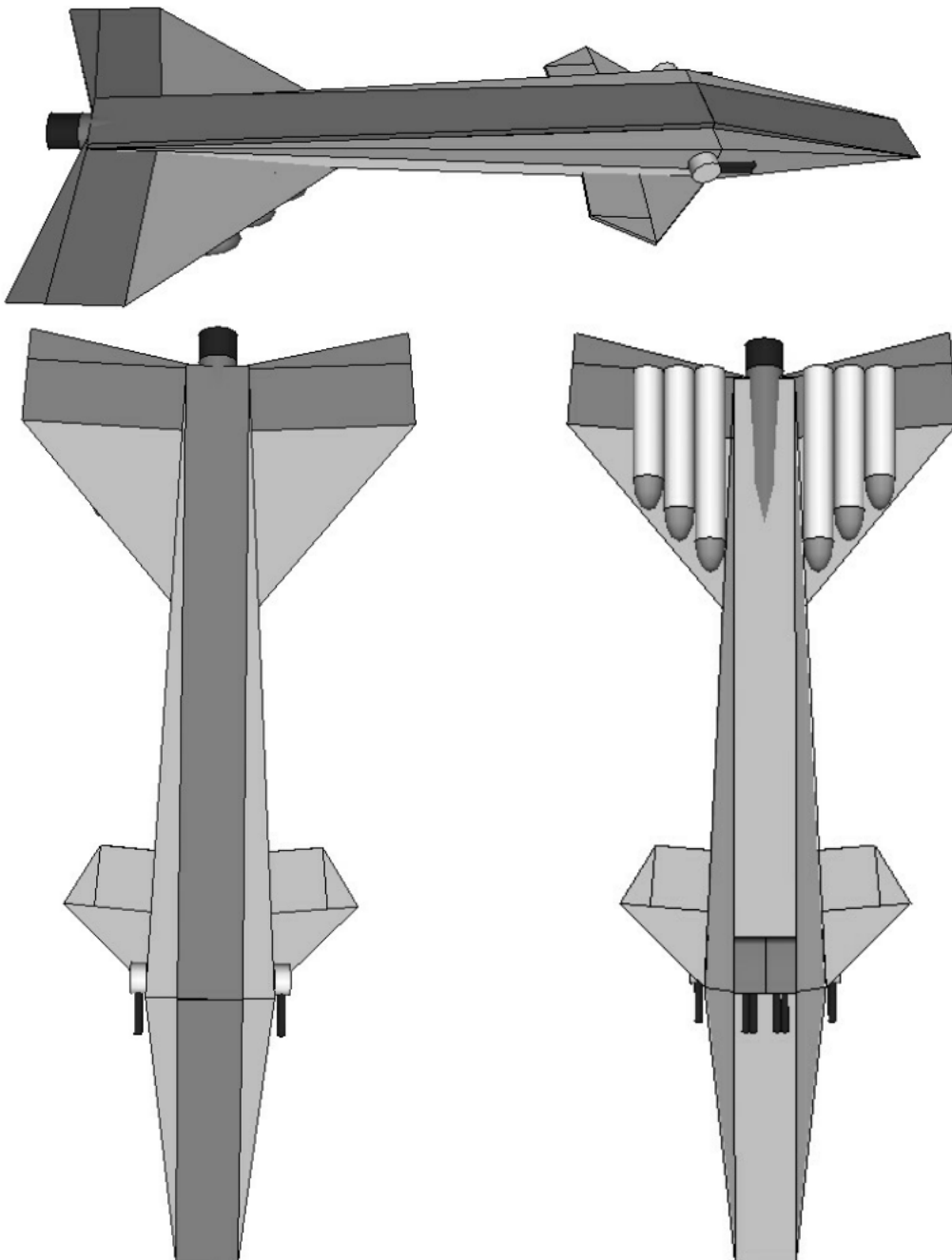
## Air-craft High Speed

For the purpose of territorial regional alliance ID's government and foreign partnerships. Open to IMA States, OIC, LAS, AU, IGAD, ADF, and other countries in a peaceful and strategic alliances.

Basic fighter at the level of the first category. V.1.1 & V.1.2

Format unmanned aircraft navigation through digital processors, system shield against radio waves, shield thermal imaging, soon confirmed shield photon camera, the machine's own radar unit based on radio waves, thermal imaging observation, 3D sound sonar, while the 3D optical camera with the ability of high-capacity approach and object detection. The machine is able to fly with the speed of 2000 kilometers per hour. Range of 3000 km distance. The machine is equipped with machine-gun nests that are in range missiles whole 3D space. Laser systems against missile missile, the machine is unbreakable. Rockets have special equipment and the ability of the Continental range. The technology uses a special design of synchronization with the aero-dynamic flow and therefore the absorption capacity of the rear wing for high speed revolutionize space and determining the direction of flight in geometrically minimum spatial dimension. Version V.1.2 system uses a special front flap which is able to achieve an immediate determination of the direction that is subsequently regulated rear flap.

Business format; allowing financial cooperation for consumption in order to increase industrial infrastructure ID's, while the creation of joint industrial plants on the territory of our states in the cooperation between corporations by the state. ID's can get finance, raw materials, industrial intelligence, production, and more than a million pieces a day. Aim of this type is to create only a few pieces, or by appointment.



The main goal of stabilization development is also for the development of the electronics industry as well as high technology, in particular the construction and processing of materials, as well as the ability to put the military industry on the international level of the production network.

In the case of the launch of these basic formats of the civilization market, it is therefore in my interests to support the development of the success of your partner networks, which will therefore be designed to achieve a strategic step forward for prosperity for the whole world.

The federal government, the Imperium of Diamonds, therefore also supports solid cooperation with agencies in your network, but it is first necessary to understand in detail the logistics of commitments and such prosperity as well as quality guarantees.

Breakdown of basic collaboration by network;

### **International Bank for Reconstruction and Development**

The opportunity to use our cooperation to stabilize ID's civilization and support for ID's international consumer planning under an agreement on the operational activities of administrative teams for the Federal Bank's ID.

### **Joint United Nations Program on HIV / AIDS & Roll Back Malaria & Global Alliance for Vaccines and Immunization (GAVI) & Harmonization for Health in Africa (HHA)**

The possibility of opening up our cooperation, guaranteeing a better ability to activate the development program of the medical base and the development of vaccines.

ID's government needs information on vaccines and also develops new vaccines. The ID's development plan is also to develop many forms of laboratory for vaccines and thus to ensure the growth of health quality in the country. This growth also makes for much better development for the growth of countries abroad, as well as my support for distribution to their countries, or the direct production of vaccines in their own countries. My business interests are widespread, and I believe that your interests will also be thriving when we can jointly agree on this partner step, but I would point out that it is in my interest to extend cooperation with many other organizations for health services, pharmaceuticals and bio-chemistry, Vaccines or technology. The growth of state and civilization must be interactive active and I am forced to do so.

### **Consultative Group for International Agricultural Research (CGIAR)**

Our cooperation for us can be very prosperous and thus also supports many countries of the world to achieve the goal of their own stability of agriculture and the elimination of famine risks.

I am able to ensure the development of agriculture in all countries of the world, and indeed to lift the full capacity of food production, so to add a stable budget to all people who are at risk of famine.

Today, I am also interested in setting up agricultural networks in my country and creating centers of fist for all important and above standard sources of agricultural raw materials.

### **The Carbon Fund**

My technologies are fully able to ensure the growth of resilient infrastructure

networks that can make smog filtration for all factories and industrial zones that are therefore at least producing toxic waste and wastes. The filter cycle extract can produce substances that can be further transformed into laboratory chemicals into new chemicals and developmental resources that can be utilized in the country's industrial infrastructure.

I am certainly willing to support the greening of the world and the growth of the green environment.

### **Global Environment Facility (GEF)**

Our interests can be advantageous in many ways for cooperation, and in our interest we can establish strategic partnership agreements.

ID's Stabilization Plans are designed for advanced logistics and a truly responsible growth capability.

For example, ID's project, such as Global Multi Offshore Cooperation, is also strategically important in development and based on a global structure of collaboration between Business Planning Management Companies.

ID's Corporatocracy government is also an entity that is created for the purpose of cooperation between all the world's traders, and you and your Bank and agencies have the opportunity to develop together.

### **Consultative Group to Assist the Poor (CGAP)**

My interests are to help globally, for the sake of global financial stabilization, and to stop poverty all over the world. I will certainly and always support cooperation for the growth of strategies that can ensure the development of low-budget countries, and I am also willing to support the development of their state-trading networks into advanced states with all modern civilization bases, and it is therefore real that I really welcome Cooperation of the same goal.

### **Financial Sector Reform and Strengthening Initiative (FIRST)**

My countries are now developing, creating the first nature of legal systems, as well as the foundations of international cooperation between organizations, agencies, banks, and governments. That's why it's really beneficial for us to secure our cooperation, which can grow into a common goal, and your agency can use, for example, many of ID's development projects.

### **Global Development Learning Network (GDLN) & Education for All**

The development of education in my country is created for really high capacities and I am certainly willing to use your cooperation, for example, in building the first Royal Universities, but also in order to achieve stabilization of education.

Development interests are open in all directions of educational categories and for the purpose of establishing cooperation among many other organizations around the world. First of all, I need to get the staff, but also civilian stability.

My aim is also to further promote the development of education in other countries of the world, thereby ensuring the full growth of the education system at the global level.

My interest is also to expand retraining courses and learning environments, build new training centers, centralize global intelligence, and also develop new dimensions of intelligence at the level of global interest.



### **Global Water Partnership (GWP) & Water and Sanitation Program (WSP)**

My current development projects in the water industry can enable all states to ensure the development of the aquatic economy and thus also ensure the further growth of the agricultural industry, which will significantly strengthen the country's GDP, ensure trade stability and also food income from its own independent sources.

The project is not financially expensive, nor complicated to create.

### **Haiti Reconstruction Fund (HRF)**

My concern is to ensure for Haiti the development of a solid infrastructure of the construction industry from a concrete building structure and steel. The government of Haiti can therefore secure the construction of houses from a rigid structure that resists the storm, the tsunami, and the basic earthquake. People are therefore confident that their homes and family lives are all right and can not be at a catastrophic level or at risk.

In a similar interest, I would also be asking for the possibility of partnering to create an ID's Reconstruction Partnership, a group of traders for stabilization cooperation and the creation of an international business network for strategic stabilization.

### **Stolen Asset Recovery Initiative (StAR)**

I think that our interests can truly be in many interests, and for you also inspiring intelligent and strategically preventive development. The ID's goal is to build justice actions against corrupting corruption abroad, thereby avoiding damaging the values of the state's ID and civilization, indicating the growth of the ability to develop freely.

It is real that today's world is really full of corruption, and I also have the interest to support the help for you as well. It is real that I also appreciate your interest in promoting development in a much better environment in the world.

### **Global Partnership on Output-Based Aid (GPOBA)**

I will certainly welcome your intellectual meeting and support for the development of the state intelligence. Every experience is an excellent contribution to ensuring the quality of life of many millions of people in my country, as well as for their future generations. That is why I really want to dedicate our interest to our cooperation and thus to ensure the growth of the partnership to achieve the possibilities of mutual development.

The Land of Imperium of Diamonds is open to development in cooperation with many governments of countries and agencies, organizations and other state-owned enterprises of foreign states. Developing in line with global intelligence is important and therefore also advantageous for working with other peoples, as well as guaranteeing our own peace interests.

I therefore always welcome the possibility of our cooperation and the achievement of common success.

Therefore, I welcome all our Banks in your partner's network, and we are therefore able to build up important interests that determine the ID's government's much better capabilities to stabilize and develop, but also to achieve much better success from our co-operation.

## **Multilateral Development Banks**

The Islamic Development Bank, The African Development Bank, The Asian Development Bank, The Inter-American Development Bank Group.

Today, because of my interests, I get international cooperation for the truly open-minded development of my country, so I also support partnerships with multilateral agencies and institutions that can take advantage of the opportunities to expand their business territory and also support other business corporations from their business Circles and partnerships.

International Fund for Agricultural Development, The Islamic Development Bank, The Nordic Development Fund and The Nordic Investment Bank, The OPEC Fund for International Development, Sub-Regional Banks, Corporacion Andina de Fomento; Caribbean Development Bank; Central American Bank for Economic Integration; East African Development Bank and West African Development Bank.

Likewise, I certainly welcome development and business co-operation with other agencies as well as agencies of foreign states which are therefore bound by the economic rules on the rights to develop international cooperation for the peaceful development of states.

Australian Agency for International Development, Japan Bank for International Cooperation, Japan International Cooperation Agency, Kreditanstalt fur Wiederaufbau, New Zealand Official Development Assistance, U.K. Department for International Development, U.S. Agency for International Development and other agencies that are eligible for legal development co-operation.

I also know your interests in international Millennium Goals, as proposed by the United Nations, but I also have to confirm that I am able to use cooperation with multilateral banks and agencies and with state institutions for a step that can ensure full stabilization within a month Levels of civilization economies and without any risk of poverty and food shortages, lack of medication and health care, as well as the underlying lack of education. That is why I believe that the United Nations Organization will also accept the interests of cooperation with my country and will allow us to benefit from cooperation with the UN within our organizations.

Growth at the international level is important and guarantees a quality of state development, as well as a much better environment for partner network development.

I therefore hope that you too will try to inform, for example, the UNGA, the Economic and Social Council (ECOSOC) and the Security Council. My country, due to the current lack of ability to develop due to terrorist blockades, I really need to use international cooperation for development in the logistics of states that will jointly create the Council of State for ID's development, and this development goal will be designed to use international trade cooperation rights, but also to prevent the development of the consequences of the crime of the European states, as well as to the act stabilisation of the civilization of the state and the government.

I also certainly expect the possibility of agreeing together on the ID's participation in the Global Parliamentary Conference, because it is certainly a possibility for me to offer and so fundamentally change the economic strategies of the whole world, and I therefore believe that this interest in conference cooperation is also important For other world traders and their network of markets.

Certainly, I would like to gain cooperation in the Parliamentary Council of the States, and thus achieve development that will really bring about solid logistic interactivity among states, and therefore I am indeed an important partner for your

countries abroad.

The Global Legislators Organizations (GLOBE); the Inter Parliamentary Union (IPU); the Asian Forum of Parliamentarians on Population and Development (AFPPD); the Global Organization of Parliamentarians Against Corruption (GOPAC); the Climate Parliament; Women in Parliament (WIP), The Parliamentary Network on the World Bank and IMF, The Pan-African Parliament (PAP), The Parliamentary Assembly of the Mediterranean (PAM), The Inter-Parliamentary Union (IPU), The Commonwealth Parliamentary Association (CPA), ParlAmericas, The Parliamentarians for Global Action (PGA).

My interests are genuinely global and truly relevant to the claims of all states in order to jointly develop and organize development between businessmen for the purpose of civilization development.

One of the strategic departments I offer on behalf of my government is based on the form of the ID's Global Multy Outsourcing Strategy, which also enables the development of trade in my country amongst the traders of foreign countries, thus creating a firm structure of both the market and the Imperium of Diamonds With the ability to create growth in international markets among states.

If your partner agencies accept such a way of organized co-operation, the ID's government re-offers the opportunity to extend co-operation to bilateral countries as an ID's consumer investment of € 1,000,000,000,000 in DMD for each of those participating countries.

The aim of our cooperation is also to use the ID's right to collect debt from the European Terrorist States for the degraded development and thereby to lay the foundations for the strategic transcription of part of these bonds for the objective to grant the right for state corporations of foreign countries to use these financial values equitably paid by European Terrorist States, for the purpose of setting up corporate business centers to confirm their interest in business cooperation and development in the territories of ID's government.

This also creates the right for partner agencies of your bank, to establish communication co-operation with the European Agencies, for the purpose and purpose of the defense of rights, and the real and legitimate possibilities of states and state traders to apply the legal principles of international and European rules, For ID's stabilization and funding for the development of state corporations of foreign countries, with the aim of cooperating in the Imperium of Diamonds.

The same rights are now also advocated by the United Nations Security Council today in presenting general resolutions defining the obligation for criminal states to stop terrorist co-operation immediately, thereby also securing the act of stabilizing damaged entities that have lost their own development.

The law is legitimate, and your affiliates and your World Bank Group therefore own all the rights to use and organize.

Organizing such a move is also a good position for you, because you also gain some dominant rights that determine the performance and position of European Business Networks and their international use, so you can build much more partnerships around the world because you too can be members And actors of international logistics. International rights are open, and you do not need any other special rights to use them. Many foreign countries will quickly welcome the opportunity for their own development and achievement of a new position at the international level and therefore your bank will be supported in these directions, and also because your Bank for Reconstruction and Development is created for this operational task.

Today, I am creating an offer for your bank, above the basis of a lease of logistics and operational personnel. The team will represent ID's Central Bank Federation and thus expand business relationships.

This is to create a provisional logistics office, as well as enable immediate profits of co-operation with lawyers from many foreign countries, who can do so as well as temporarily represent ministries and logistics authorities of the Imperium of Diamond's government. Thus, as a government and territory, the International Advocacy Intelligence Council is able to ensure a good development of civilization and politics, as well as full international representation as well as advocacy of ID's rights on an international level.

That is why I also want to ask for your support, above all, before the Government Board, and to provide at least basic information and legal claims on the matter, which provides many significant opportunities for countries around the world, and the governments of the countries are therefore much more willing to contact their State Attorneys' To support the development of the International Advocacy Intelligence Council.

Therefore, because of business interests, it is in the interest of the federal government, the Imperium of Diamonds, to create our full cooperation to reach out to the headquarters of the Government Ranges as the center of the Assembly of Representatives of the Governments of the World Bank before the World Bank Group.

I ask your World Bank Group, as well as your partner banks and financial handling institutions, for the possibility of adopting a joint agreement that authorizes the use of financial package transactions between institutions by using check-in telex and the use of a cooperative strategy that will be able to support much better stabilization for The Imperium of Diamonds, and building their own success to develop full international prestige, as well as the use of real development capabilities to establish co-operation with other Central Banks of States and move between states at international level.

The possibilities of such a link will be used to develop ID's intra-telecommunication and operational infrastructure primarily designed to ensure strong interactive communication between banking authorities abroad, thereby ensuring the ability to pay for business agreements or to expand partnerships between traders.

I offer opportunities for development co-operation for many merchants around the world, and with the possibility to support a truly profitable collaboration with your bank's business institutions and agencies as well as with other corporate partners who can benefit from increased cooperation to build their new business and manufacturing centers.

The Imperium of Diamonds Code of Conduct is currently under development, but today it guarantees prestigious legal conditions as well as real development rights according to a flexible format that is sufficient to ensure high-capacity development and full business value.

The Business Code guarantees for every citizen full open capability to develop and build business from civilian resources, and the ability to use the name as a legal person and create multiple organized markets, or to develop with full confidence in the obligations and contractual principles of guaranteeing the success of business contracts.

The Business Code also mandates certain raw material security, regulatory and registration obligations of the trader, as well as the principles of manipulation licenses and authorizations. Handling rights as well as warehousing are created above the bases of guarantees and assurance of the ability to control goods without the

ability to damage, confuse and alienate the material.

The ID's Code of Conduct primarily creates strategic prevention against black trade against unregistered markets as well as the ability to fully control the movement of materials, commodities, raw materials and valuables, their movement in the territories, and the ability to immediately control the movement of packages based on the route From the manufacturer, through the transporter to the buyer.

**Promotional item:**

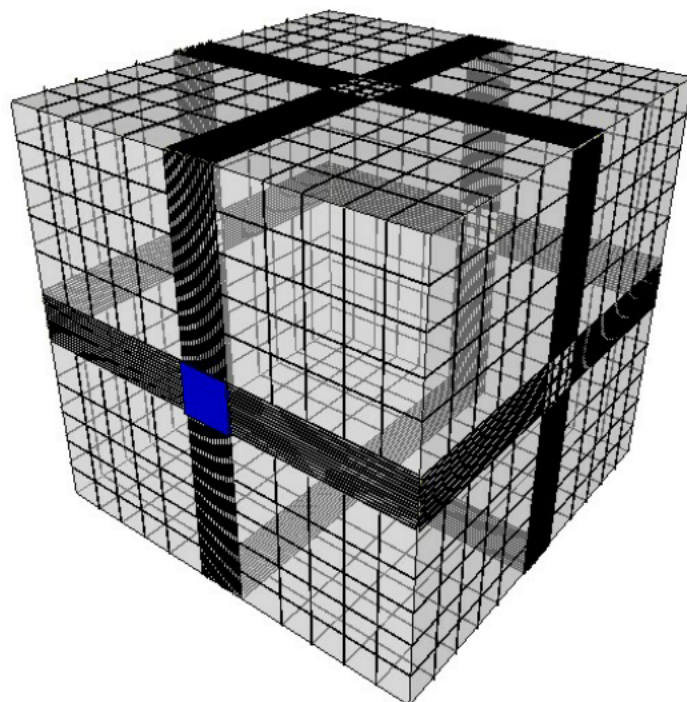
**ID's Business & Labor Rights, presentation of technology use;**

*Material boxes are norms of cubic or ethical material. Technology is in the form of a plastic foil with a nano material site structure that circulates digital information in electrons and sends it around the box to nanotechnological circles, from the first computer processor to the same first computer processor. When is a plastic foil damaged, it is damaged too electro site and processor can not detect their connection. The processor therefore writes into the chip-instaled eticet, their information on the damage of security and safety of the material, and in the same form as the phone sim card, radiowaves connect the local transmitter, which sends digital information about the safety damage, share into satellites, and the Owner, responsible person for boxes and his safety, or client and managers, too police and security forces, can know that the boxes are under robbery or potential fraud. Processor of boxes can read and save digital information in connection with communication gates in roadways, airports, trainstations, and in the same confirm their position. Therefore, managers, organizers of business, clients, police and state security administration can control all handling material, control their taxes and security, legal validity of eticets.*

*ID's country, every business in responsible security and no damage to guarantees for legal handling. Stop, and prevention of smuggling, black arm trafficking, illegal use of materials.*

© <sup>TM</sup> ID's Patent Claim, & interest for the development of global trade systems.

*(The same function of technology in the trucks, trains, airplanes, container boxes, safes, no only on boxes)*



Labor rights are also developed with reasonable basics. Employee rights for sober working hours, always sufficient remuneration for his / her work, health surveillance and entitlement to leave, open rights to develop his or her own professional qualifications, as well as employers' obligations regarding social and health insurance or other forms according to international standards but with some elements modernization.

The Business Code will be published in the shortest possible time and with the excellent quality of a strategy for the growth of civilization. The Commercial Code is in fact developing, with the lasting value of delay, and only as a result of the European Terrorist Blockade, which is being applied in violation contrast to International Law, the principles of the Charter of the United Nations, and the first form of ideological existence of today's political world.

I respect today and understand that your partner networks are also at the level of the European governments of countries that are my criminal competition but above all I confirm that for your party there are only profitable opportunities from this conflict that are really profitable even if you fully end your cooperation with the European Terrorist states, and you will be better able to replace them in the World Bank Group partner network. The World Diamond International Alliance is a truly strategic asset for the world.

WD and Corporatism, a drastically competitive competition against your partner profits with European countries, and profits of your partner states, but also for the legal view as well as the best option you can use.

WD is today also a format of a political group that is in the same perspective and competition against your Bank Group, because many states have their own personal values that will allow you to cooperate without the need for a loan or use the development management according to your bank.

The World Diamond institution in the form of an economic format is at the same level as your World Bank Group, but still in a much better system of function and customer satisfaction. WD uses a level feature as a common fund. Fund which is therefore shared among all states in the World Diamond Alliance. Each state therefore owns enough money to obtain a certificate of shared value from the capital of the alliance civilization, and consequently also with the significant possibility for each Member State to use such certifications to support its own mime and thus to maintain its ability to fully develop from sources to Based on WD Alliance Certificates.

WD Alliance countries do not need to cooperate with institutions as providers of administrative services and organizing business development. WD Alliance countries use a common World Diamond civilization that is under international protection and thus without any risk of war or conflict. Because of the global position, this and the basis of the neutrality, and thus the civilization, which is always constantly developing and thus with the global support of all states. A territory that is part of the territories of all Alliance states and therefore has a much more significant and superior ability to function than just a common fund on the basis of investment from the Member States.

Common WD Alliance Certificates allow each Alliance member only to profit, and he thereby has a great opportunity to develop, as well as a strategy for the use of development co-operation in dealing with institutional affiliates that originate from the World Diamond Alliance. Business corporations, business associations, commercial banks, or agencies and organizations that have their headquarters in the WD Alliance.

The Alliance country that needs to develop therefore does not have to pay for foreign funding in any case, but in this case the finances are maintained in a territory

that is shared in the common interest and with strategies of joint economic cooperation strategies of international markets without the inflation of the state economies.

Each state in the WD Alliance thus immediately employs the ability to hire and support WD business groups, for mass and group-based establishment of business affiliates within the territory of the Alliance, and in this case with the ability to demonstrate steady statistics of the subsequent development of its own civilization-based business networks. Come from the headquarters of this developing country.

This means that a certain form of competition arises for your Bank, as it is just a mere traders' association that is a more advantageous business partner for each country than the World Bank Group. Similarly, a mere State Bank with the seat of WD alliance territory can therefore provide much more organized development for each state.

That's why I understand and I am willing to respect your possibilities to develop when using the offer to enable your World Bank Group to move your Seat to the new territory World Diamond International Alliance and thus also to the ability of a certain synchronization to bring you a much better environment Development and effective relationships between traders and countries that are already clients of your bank.

Your World Bank Group therefore owns the rights of co-operation under a certain legal synchronization whereby the World Bank's Common Fund as a profit from membership contributions will be fully halted and replaced by a new form and option in which WD Allied Shared Certificates will therefore serve as a common fund which each government of the country Registers on the value of its capital, but together with a function as a fund system that is destined for development.

Your bank will thus lose negative criticism from other nations, and you can at the same time realize the growth of business networks from WD Alliance markets and business entities. Your banks can therefore use the process of autonomy as well as a solid cooperation with the WD Ministry of Finance and Trade, Development and International Development Cooperation.

It is a much more prosperous step for you, and it is purely for you if you can use these options or not. If you refuse, it is not difficult today to replace you, and your bank group therefore loses its international competitive strengths. There is the possibility of using another entity in the form of the Financial Institution and, above all, the foundations of constitution, such as the WD Alliance Ministry, are sufficient for full competition.

The World Diamond International Alliance, as a format for the Civilization Fund, can therefore be significantly active and used as a GDP value with its own use for the function of the Internal Currency dependent on natural resource regulation, and also internationally used as a certification for shared sharing among the Alliance members..

Today, the federal value of the certificate is valued at an incredible level of 1 550 000 000 000 000 000 000 000 000 000 000 000 000 000 000 000 000 000 000 000 €, in the currency World Diamond and therefore the proportion of the number of legally enforceable members is therefore € 7 948 717 900 000 000 000 000 000 000 000 000 000 000 000 000 000 000 in the World Diamond currency.

It is the real value of the WD of the economy, and with the full capacity to prove these values of their real existence in order to be justified in an internationally recognized system of rights, and also in terms of the states' natural principles and administrative intelligence. Whoever does not believe, he is a fool, and he has lost himself the unique possibilities of success.

The value of WD Economics as a shared share between Member States is thus equally distributed among Alliance members but this creates a certain risk of global deflation and unnecessarily rapid growth in the product price value and the possibility of buying them between non-World Diamond countries. Therefore, this system is responsible as internal logistics for the perfect instrument of global competition, but when looking at international logistics this system is not acceptable, it is not synchronized with the capacity of the economies of the present world, and the system is abusive to ensure certain supremacy and dominance over states Who are not members of the World Diamond Alliance.

Therefore, before the Alliance is fully globally ratified, it is possible to modify this Fundamental codex Intelligence Basis, according to the current standardization standards, whereby all governments of the countries will share only just values at a level equivalent to the stable dimension of the economic power of the major developed countries, The financial dimension of an example of at least € 1,000,000,000,000 in the World Diamond currency, always according to a flexible equation, and so this value will be immediately assigned to each state that is so a member of the Alliance. Each Alliance member is thus enabled to use such value for the basis of their own national currency and for their own internal development or international cooperation.

Members of the Alliance are not required to pay financial contributions or commit themselves to any other obligation. As a member of the World Diamond Alliance, it is only profiting from the common civilization of World Diamond, which is still today a factor of global competition among financial institutions.

The World Diamond International Alliance in the second codex option, as a joint fund format between all states bilaterally amounting to € 1,000,000,000,000 in shared certification, creates the format of the Alliance's second fund, since World Diamond is based on the two funds that is the first The fund is shared jointly by one World Diamond Alliance and the second major fund is the fund number bilaterally one, the value of the world economy and the development interest as a separately shared financial amount of the state.

The first fund, as a truly common fund, therefore reaches real capacity values at the level of € 1 549 999 999 999 999 999 999 999 999 999 999 800 000 000 000 000 in the World Diamond currency. This fund is intended solely for the commercial development of a common civilization on the territory of the World Diamond International Alliance, according to the determination of logistics planning by the Council of Representatives of States in the Alliance. Common Global Logistics for the Development of a Common Intelligence.

Thus, each Alliance country still has the opportunity to make use of the right to use the Alliance's common territories, free movement, communication, and development, as well as rights guaranteed in terms of its own forms of business missions as well as agreements.

Since the price level of raw materials and products on the World Diamond market can be really drastically higher than the value in terms of international price standards, a strategic system will be used for this purpose, whereby the price differentials of individual products will be paid for the foreign traders from the first fund, Because its use is flexible and without dependence. Thus, a foreign trader can buy products at international value in the interest of standardization, as his membership in the WD Alliance will allow him to use the Alliance for Internal Indemnity.

The World Diamond International Group merchant is thus entitled to obtain the full value of his product price, thereby increasing the value of the GDP of this staat, so



the capital of the Alliance will again be gained.

If your World Bank Group dares to add such cooperation, you can use the rights to international manipulation of the Second Fund of the WD Alliance, so your operating network can be up to over € 190,000,000,000,000 in the World Diamond currency, and this is for Both you and your members are still profitable, because the ratio of your fund's current state of affairs is really drastically weakened and without competitive values.

In the event of such cooperation, your bank can expand immediately to create a much more mature and organized network of partners together with other institutions that have all the rights to get permission to re-manipulate WD with the second fund among states, thereby activating global development and cooperation.

Your success conditions mean your ability to immediately establish co-operation with many other financial institutions, banks and agencies, development agencies and organizations, as well as other associations, and together with traders and corporations that will one day create a global sum of the world market and trade As well as financial logistics, and this will also ensure that your banking group develops to a much more advanced institution's level than your current activation.

If you make use of this right, you also have the right to create our common logistics, and you can use the first Alliance fund to instantly mobilize the global structure of merchants and corporations to develop a new range of civilization and full affirmation of the active World Diamond civilization.

Your bank can immediately gain significant profits and success, but also ensure significant growth at the level of global competition.

One of the most important forces for you may be the Corporatocracy of the Government, which is the legal right of the alliance of each trader from all over the world, and thus also the success of a significant trading position and profits from the Corporatocracy strategies. Corporatocracy can be one of the most important subjects of the future politics and the business world.

At the level of ID's Corporate Government, I can offer you many special affiliate development issues again. Offers that outstrip the possibilities of today's global dimension and the importance of today's days.

ID's Corporatocracy government grants rights to all traders from all over the world to fully collaborate in a unified association circle as legal persons with a status as the main representation for their jointly formed business network. Traders jointly extend the intelligence of business laws, as well as basics with the level and function of political representation because the level of these jointly created markets reaches the size of a real dominant state.

For the sake of international banking prestige, it is beneficial for you to become a partner member of this association and also to benefit from the ability of global corporate co-operation.

As proof that such institutions are really much more important to you, then I also want to present the documents on the EU's responsibility for the World Financial Crisis for confirmation.

**Furthermore, the EU and the responsibility for the World Financial Crisis 2008.**

**Special relation in UN Decralations and today legal situation;  
In relation of European Terrorism 1998 until today, and affected Global Financial crisis  
in time 2008:**

**UNGA Declaration:**

***Outcome of the Conference on the World Financial and Economic Crisis and Its Impact  
on Development***

<https://documents-dds-ny.un.org/doc/UNDOC/GEN/N09/399/83/PDF/N0939983.pdf?OpenElement>

***In reaction be ID's federal government:***

<https://www.docdroid.net/M7TW1wl/declaration-against-terrorism-of-cz-beginning-of-the-wd-int-alliance.pdf.html>

***And confirmed commons in reaction of ID's Federal Government, be documentation  
The G1:***

<http://theimperiumofdiamondsgovernment.populiser.com/disscusion/the-g1>

*I really apreciate, if reprezentation of World Bank Group can open such information's in  
WBG Board of Governators 2017, 2018.*

ID's government also owns many interests for your Bank's financial support, but also for global development and growth, as well as ID's global partner network structures.

ID's co-operation against debt, the ability to secure debt relief for all states of the world.

Our relationships can also foster cooperation with other states because the federal government of Imperium of Diamonds is interested in expanding its own international trades and securing for itself such resources from foreign countries and therefore means that the federal government Imperium of Diamonds is able to ensure strategic cooperation with states that will allow the Government of the Imperium of Diamonds to pay all government debts, thereby stoping interest rate growth to minimize costs, but by agreeing that the federal government thus assumes its own right to recover bonds, and so a step can be taken to use the federal government The value of buy-out bonds or the investment planning of a country's upgrading, which thus supported the realization of these trade rights in the debt-cessation strategy.

In this case, governments that have a debt burden will thus immediately gain the rights of a stable environment, a much better ratification and more prosperous valuation, as well as much more free business planning and the ability to develop their own country, with the fact that even the value of the debt will be used to Payments to state traders who can therefore also use the right to develop in a country that thrives on their own debts.

The federal government thus acquires new products from foreign countries, thereby stabilizing the growth of its own civilization, as well as the government losing the risks of bankruptcy or economic opposition and risks of discrimination on the international market. However, it is also true that the governments of the countries must in this case agree to a law agreement that allows for the mutual enforcement of judgments and thus to ensure joint credibility guaranteeing the function of a trade agreement on the debt-swap.

The governments of the countries that apply such agreements immediately have the opportunity to use our trade agreement, which will then be able to secure the

state's debt obligations by paying their own debt for their own state-owned corporations and thus ensuring their own development.

The benefit of this principle is being activated already today, in the way that European terrorist states are fully blocking the development of my country, and it also means full blocking for foreign states in opening common agreements with my country. Therefore, other governments of countries around the world thus have full rights for their arbitrage to ensure the calculation of the values generated by the increase in the interest rate from the state's debts, which must therefore be paid by the European governments of the countries, as well as the values that all foreign governments had to lose at the time of the blockade. The values of the development of state-owned enterprises, in the form of an agreement that transforms the debt capital into size in the form of its own consumer and development fund, as the federal government Imperium of Diamonds offers such transformation.

It is certainly good and legally entitled to use the documents of my government that demonstrate the responsibility of all European Terrorist States for the cause of the 2008 World Financial Crisis, preventing the possibility of immediate prevention and stabilization according to my plans that are capable of preventing this fact. Each country government has all the rights to count its own losses from the World Financial Crisis and thus also claim full compensation from the European Crime States.

That is why I also have a real responsibility to warn, when comparing Usam Bin Laden's crime statistics and such a result, to attacking only the Two Towers of the WTO in NY, USA, on September 11, 2001, to compare this effect with the value of European crimes than as Much more ten years have severely damaged the economy of many states of the world, as well as commercial corporations and many banks. The value of such a crime is rapidly outpacing the nature of the Second World War crime, led by Adolf Hitler. The best strategy is to fully stop relations with European terrorist states.

Communicating with European Terrorist States also means that the entity that supports such contacts obtains a position of risk in which any foreign state may in future use such information and thus also ensure the execution and confiscation of such an entity that has been in contact with the European States. Every trader all over the world has the right to know such a fact.

Due to the terrorist action of blocking states, the question arises as to when foreign business corporations can not use the business development entitlement in the Imperium of Diamonds, and thus such commercial corporations have open rights to use such a debt claim for the purpose of filing a court application To the courts of the state, and thus ensuring the conviction of the European States, which is thus accountable for the immediate payment of all debts, and thus ensuring the development of these enterprises in the Imperium of Diamonds.

In the same strategic interest, it can be confirmed that your World Bank Group is therefore coming up with the possibility of a special partnership that gives your Bank always a strategic position on the scale of international markets, trade and politics.

ID's IBCD is the property of the bank under the Imperium of Diamonds federal government, and acts as a bank to provide space for the sale of space assets designed for civilization development according to civilization standards and strategically centralized networks of galaxial civilizations.

That is why it is also possible to expand our cooperation, and thus to achieve the alliance of our banks as one group in the interest of the World Bank Group, or to maintain our cooperation in the form of a World Bank partnership with multilateral

banks.

Our cooperation will thus enable human civilization and the economy to develop to the new dimensions of universe and space. Soon, new research centers will be created on new planets, which will then create cities and fully active civilizations. Civilizations that have a significant economy and are readily accessible to other users and thereby maintain a stable economic and interactive relationship with the civilization of our planet Earth as well as with other civilizations on other planets and in other galaxies.

Today's land register is much larger than the scope of the observable universe, and such registry rights are in line with the principles of international law but also with political risks based on corrupt strategies and acts of crime that many politicians abuse for illegal monopoly, as well as political frauds National and international level.

Today, the development strategy is designed for cooperation between all the countries of the world, together with traders and institutions. The project was founded on the basis of legal projects and rights with the beginning of 1998-2000. The project complies with international law as well as with the requirements for full commercial use at international level.

I certainly allow the possibility of our joint agreement, which also enables the development of a business development partnership, the possibility of using cooperation for project planning, but also cooperation for the development of space markets. Many traders from all over the world will gladly welcome such a deal, and will also use the opportunity to buy land for organized development.

That is why I welcome the opportunity to open our common agreements that can provide support for you, for example, for the purpose of selling space assets through your own branch offices and bank institutions, and thus added value from your banks.

Together, we can also create development management that will determine the value of the land, and accordingly, the land is commercial.

Multilateral Banks in the partnership of your World Bank Task Force have the same rights to take advantage of these offers and thereby gain our own profits from our sales and design collaboration.

Your banks can make use of this business as well as develop their own partner network of corporate entities that already create a smaller, civilized format and allow us to develop much better and more widespread development practices, as well as our ability to compete on the prospects of the global market.

In the ultimate interest, I also have to say and prove that your close relations with the European countries really worry me and it is indeed confirmed that such contingencies are really a threat to your group under today's international rules, and this is also confirmed with the responsibility of your group. The claim of other states of the world to designate you as an entity supporting terrorist alliances and the stasis of a terrorist entity and therefore any state of the world but also corporations have all the rights to confiscate your possessions and legal institutions that can thus be transformed into an internationally useful form of ownership. The General Assembly with the status of the General Assembly as the General Council.

It is world-renowned that the European terrorist states are really ahead of Adolf Hitler's crimes at the Second World War, so it is not possible for any such group to legitimize, promote or maintain any interference.

If you are interested in the monopoly and UNSC convictions, such as the US, China, France, Britain, Russia, for a decision to veto the possibilities of punishing these terrorist states and their partner networks, then the determination of the

resolution is in a drastic contradiction with the guiding principles The establishment of the United Nations, as well as the principles of international law, as well as the drastic harm to the rights of other states worldwide, in this case the disintegration of the United Nations system as well as the system of international law until the adoption of the documents by the new organization, In every case this means that the UNSC resolution loses any value.

UNSC States can be recognized as terrorists and interested in bureaucratic acts for a criminal monopoly.

That is what I really advise and give very important information to you, actually confirming your duty to immediately stop cooperation with the European Commission, as well as other European institutions, until I can confirm their full confidence.

In view of the threats of the economic crisis and bankruptcies, I certainly confirm that everything is perfectly well and risk free, because the value of my economy is sufficiently able to use international cooperation to maintain global stabilization without any risk, and also for the purpose as described in this consistent text on ID's bilateral cooperation plan above the first deposit value of € 1,000,000,000,000 in DMD.

In the same vein, I would like to recall the references to the European legal responsibility for the emergence and stability of the World Financial Crisis in 2008, thus actually implementing an act which again and again outperforms the statistics of the criminal responsibility of the Second World War.

Such crimes are really a revolutionary tool in today's world, and it is indeed true that it can not be avoided by any power against the prosecution of such crimes if such a decision is not just.

Therefore, if your World Bank Group still wants to maintain cooperation with the European Terrorist States, it is with full certainty that your group must expect confiscation and the issuance of a global decision by the states to transform your bank into property of international interest, and under the guidance of authorities, Ministers of Trade and Central Banks from each country, for example me, in this case, I propose to use as part of the World Diamond International Alliance's central bank institution which allows much better development practices and efficiency at an international level.

That's why I believe your bank will use all the best ways to stop any contagion with terrorist states that just abuse your position, but just so that these terrorists can continue to rob other states that are members of your Banking Group.

This means that if you support the membership of terrorist organizations in your partner group of states, you also support the stealing of the values of your partner volumes and the values of those states.

Because your Bank Group has a truly dominant position at the international level, and that your group uses a truly important partnership with the United Nations, the importance of your Bank is important also at the level of the political world and international law that allows you to play Really important roles for the development of world security and, above all, for the prevention of crime.

Today's United Nations system allows for the creation of sanctions against radicalizing states, the sanctions created by the act of isolation of postal communications, the isolation of trade relations, the blocking of media agencies and the blocking of political rights, and at the same time real acts of overthrowing the state's military intervention, New governmental governments in the choice of the international system, as in the Second World War.

Therefore, your Bank, which is already a major player in the international economic and political system, would be advantageous for all parties in the world if your party, as the World Bank Group, could, together with the UN Economic Council, set up a Sanctions Committee against a criminal state, Sanctions according to the process opening the possibility to use the sanctions according to my proposal, based on the analysis of the economy of the criminal state entity and thus the replacement of the economic representation by the state institutions of the criminal entity in the form of such a substitute in the form of a modular form of the administrative system of a substitute administrative institution Your World Bank Group, together with the UN Economic Council.

This system simply and quickly, within a few days, allows for a step for full financial compensation for any criminal entity, thereby ensuring a full form of stabilization of the world economy and the complete elimination of any form of state dependence on this crime subject.

The modular system can create a substitute economy to represent the criminal state and thus enable a step that will enable the growth of activities as an artificially regulated issue of modular banknotes that are used as a means of stabilizing the trade relations of states after the blocking of trade relations in the case of sanctions. Replacement banknotes may, in the context of current business contracts between states and state-owned enterprises, create strategies that are growing for the purpose of keeping the agreement on the part of the legal entity without blocking, thereby obtaining confidential finance to enable this legal entity to develop without the risk of bankruptcy; Thus also achieving the step of restoring the partners' own business network and thus ensuring a smooth transition without commercial losses.

The modular system can replace hundreds of percent of the strength of the banknote of states that are sanctioned, but also partly replace the raw material and product relations of exports that are destined for the development of the peace countries. Thus, modular finance may be issued to traders who are contracting parties to the common commerce, followed by sanctions, but also to targeted support for their development of a new partner environment among legal entities in a readily accessible zone, and thus the ease of use of modern currency payment Further strategic use in the purpose of creating own resources of raw materials and production of products by the strengthening economy of the legal state, as well as its full independence from the foreign economy of the state, which is marked by a penalty for its crimes.

This system can be further expanded to a level where state-owned corporations with a state-of-origin sanctioned will be called upon by an international party to apply their rights to relocate their business premises to the territory of another foreign state, thereby favoring suppression aid Economic dependence on the state which is under sanction. In the event that a commercial corporation rejects such a procedure, a strategy will be used in which the International Representative Service will thus confiscate the foreign branches of that corporation originating from the territory of the criminal state, as well as at the level of the process when the International Deployment Unit will use the right to confiscate patent and copyright, But still the rights of business status. This creates an act of interactive and dominant prevention of the growth of crime, the abuse of the dominance of the importance of economic status, as well as the stabilization of the addiction, which today will not allow sanctions against the criminal subject.

The act of such sanctions is important and important for the development of the power of international law, the peace and real security of the stability of world political networks underpinned by the interest of peace and justice, and the

prevention of international war crimes.

The format of this modular system is an advantageous legal link to the UNGA, UNSC, other UN agencies, but also to specially elected members of the UNGA, similar to non-permanent UNSC members.

I would also be grateful if your representation uses this subject, for the inspiration of UNGA and UNSC, or the other states separately according to UN membership.

It is an inspiration that, in the event of its application, it will be able to obtain the function of the world economy without problems and risks, even if world-wide situations arise in our world, which also determines the widespread division of the world, and therefore states that together represent the legal principles The assurance of stable cooperation and economic growth without any slowing down. If this artificial modular system could not be applied, then in the event of a world-wide war, the risk of an immediate economic crisis, runaway famines, life-threatening problems, the rise of crime, and the armed attempts to divide the state Territorial integrity.

I would certainly appreciate if your World Bank leadership really respected the risks of contact with European terrorist states, and so in your pursuit you may contact the UNGA with such a proposal to extend the United Nations' unsupervised system.

## The Federal Government of **The Imperium of Diamond's**

---

*Create for The One World, Global Unification*

---

**I Thank You for Your interest of Intelligent time, and I wish Good Luck for Your Development !**

Monday, April 17, 2017

---

**Propagation subject:**

*Over the last period of time that I devote to confirm the ID's developing intelligence and create a scheme of trading system in relation to the project for building the civilization of infrastructure and network of industry, agriculture and raw material resources, I am the King can really confirm that each company or corporation that confirms interest to build the new center of commerce, every business and corporations that actually takes the position that means the ability to truly rapid build new centers and corporate headquarters at the level of the most advanced, modern, luxurious and high-capacity centers. Possibility to set up their own markets in the territory of Imperium Diamond's is less than twice increase the production value of your business activities, and only in the interest of first consumption and economic cyclisation territory and civilization of Diamond's Imperium. Establish a market in the territory of the Imperium of Diamonds is the best option and the strategy for the growth of your market, business, partnership, prestige and history of the corporation and your business. A new independent world of your market and business position, even with full comings of internal resources as well as significant opportunities for your own private corporate development.*

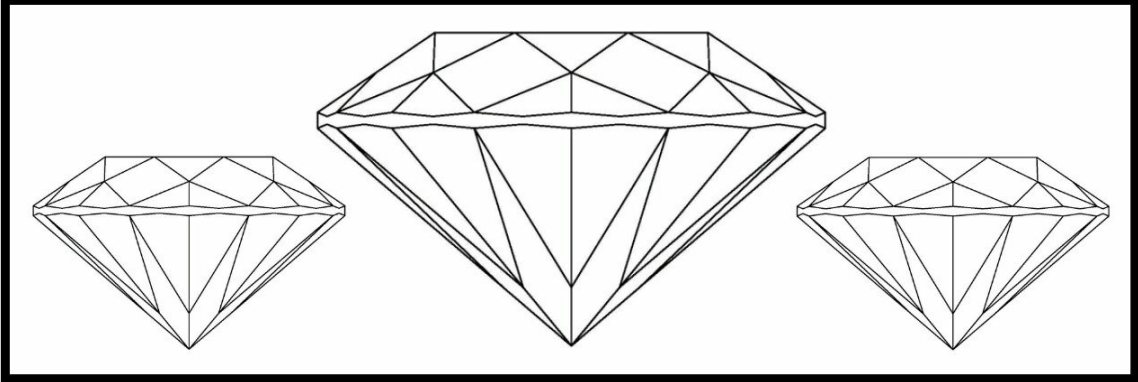




---

**The Federal Government of**  
**The Imperium of Diamond's**

---



---

**Good Day for the World Bank Group**

**Dear President of the World Bank Jim Yong Kim  
& The International Bank for Reconstruction and Development**

---

Monday, April 17, 2017

---

**The King Gottwald Peter**  
**The Imperium of Diamond's**



---

<http://www.TheImperiumofDiamondsGovernment.populiser.com>

---