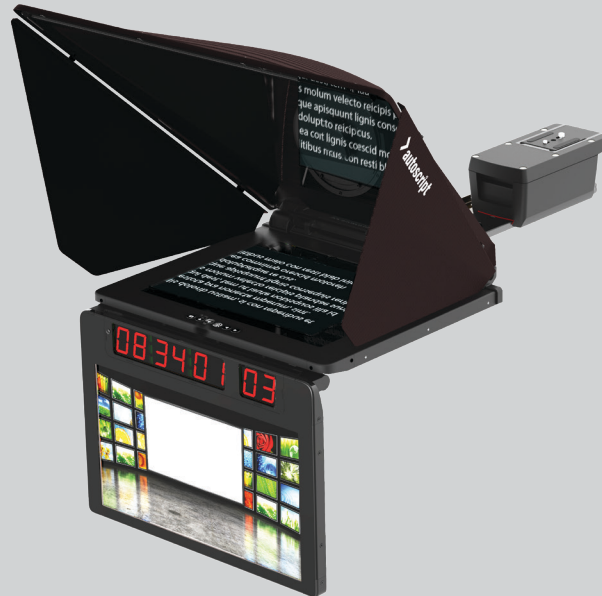


EPIC-IP19XL
EPIC-IP19
EPIC-IP17
EPIC-IP15
EVO-IP19
EVO-IP17
EVO-IP15

Intelligent Prompting Monitors and Accessories



Copyright © 2017
All rights reserved.

Original Instructions: English

All rights reserved throughout the world. No part of this publication may be stored in a retrieval system, transmitted, copied or reproduced in any way, including, but not limited to, photocopy, photograph, magnetic or other record without the prior agreement and permission in writing of the Vitec Group Plc.

Disclaimer

The information contained in this publication is believed to be correct at the time of printing. Vitec Videocom Ltd reserves the right to make changes to the information or specifications without obligation to notify any person of such revision or changes. Changes will be incorporated in new versions of the publication.

We are making every effort to ensure that our publications are updated on a regular basis to reflect changes to product specifications and features. Should this publication not contain information on the core functionality of your product, please let us know. You may be able to access the latest revision of this publication from our website.

Vitec Videocom Ltd reserves the right to make changes to product design and functionality without notification.

Trademarks

All product trademarks and registered trademarks are the property of The Vitec Group Plc.

All other trademarks and registered trademarks are the property of their respective companies.

Published by:

Vitec Videocom Ltd

Email: technical.publications@vitecgroup.com

Safety	2
About this User Guide	3
Components and Connections	4
Prompt Monitor Connections	4
Mounting Kit	6
Robotic Upgrade Kit	7
Monitor Setup	8
Fit CLOCKPLUS-IP to Talent Monitor	8
Fit a Talent Monitor to EVO-IP Prompt Monitor	9
Fit CLOCKPLUS-IP to EPIC-IP Prompt Monitor	10
Attach the Hood to Prompt Monitor	12
Removal and Fitting of Glass for Replacement or Cleaning ..	13
Monitor Configuration	14
Prompt Monitor Control Panel	14
Connecting the Prompt Monitor	17
Video Connections	17
Monitor Troubleshooting	18
Installation	19
Assemble the Rail and Carriage Assembly	19
Attach hood & monitor assembly onto the rail	22
Mounting the Camera	24
Technical Specification	26
Maintenance	30
General Notices	31



Important Please Read! Information for downloading WinPlus-IP software

To download the WinPlus-IP Software application visit the address below:

www.autoscript.tv/software-download



The version downloaded will be a demonstration version only.

No devices can be added to prompt until a registered valid serial number is entered. This is provided on our purchase delivery note.

After downloading the software you will be directed to the registration page where you will enter the Machine ID to generate the license.

The Machine ID must be **from the PC which will be running WinPlus-IP** otherwise the license will be void.

Important information on the safe installation and operation of this product. Read this information before operating the product. For your personal safety, read these instructions. Do not operate the product if you do not understand how to use it safely. Save these instructions for future reference.

Warning Symbols Used in these Instructions

Safety cautions are included in these instructions. These safety instructions must be followed to avoid possible personal injury and avoid possible damage to the product.



WARNING!

Where there is a risk of personal injury or injury to others, comments appear supported by the warning triangle symbol.

Where there is a risk of damage to the product, associated equipment, process or surroundings, comments appear supported by the word 'CAUTION'.



ELECTRIC SHOCK

Where there is a risk of electric shock, comments appear supported by the hazardous voltage warning triangle.

Intended Use

The EPIC-IP on-camera prompter has been designed to provide a high quality teleprompting facility for television broadcasting. The prompter is intended for use by television camera operators within a TV studio environment or on outside broadcasts (OB) when protected from weather by a suitable waterproof cover.

Electrical Connection



WARNING! Risk of electric shock. Always disconnect and isolate the product from the power supply before attempting any servicing or removing the covers.



CAUTION! The products must be connected to a power supply of the same voltage (V) and current (A) as indicated on the products. Refer to the technical specifications for the products



CAUTION! Only use the power cable specified for the products and certified for the country of use.



CAUTION! Using alternative power sources will invalidate the system EMC liability.

Basic Electrical Insulation (Class 1 Equipment)



WARNING! This product is Class 1 equipment. For safe operation this equipment must be connected to a power supply that has a protective earth connection (US: ground).

Mounting and Installation



WARNING! Always ensure that all power and auxiliary communications cables are routed so that they do not present any danger to personnel. Take care when routing cables in areas where robotic equipment is in use.

Water, Moisture and Dust



WARNING! Protect the product from water, moisture and dust. The presence of electricity near water can be dangerous.



WARNING! When using this product outside, protect from rain using a suitable waterproof cover.

Ventilation



WARNING! Slots and openings are intended for ventilation purposes to ensure reliable operation of the product, and protect it from overheating. Do not block or cover any slots and openings.

Operating Environment



CAUTION! The product should not be used outside the operating temperature limits. Refer to the product technical specifications for the operating limits for the product.

Cleaning



WARNING! Risk of electric shock. Always disconnect and isolate the product from the power supply before cleaning.



CAUTION! Do not use solvent or oil-based cleaners, abrasives or wire brushes.

Maintenance



WARNING! Servicing or repair of this product must only be performed by qualified and trained electrical engineers.



WARNING! The fitting of non-approved parts and accessories, or the carrying out of non-approved alterations or servicing can be dangerous and could affect the safety of the product. It may also invalidate the terms and conditions of the product warranty.



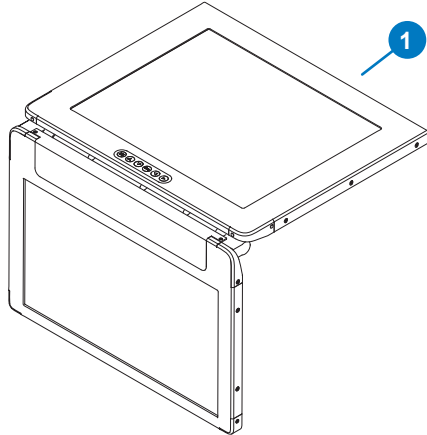
WARNING! Suffocation hazard. Store all packaging material out of reach of children.

About this User Guide

This manual describes the installation of the EPIC-IP and EVO-IP range of prompters onto a suitable camera support as part of a full prompting system.

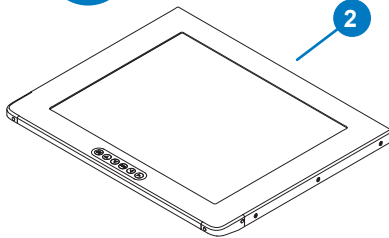
Components and Connections

EPIC 15", 17", 19" or 19XL

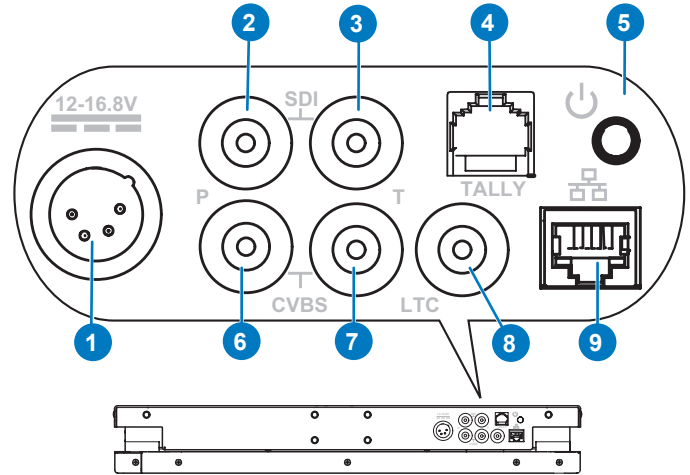


OR

EVO 15", 17" or 19"

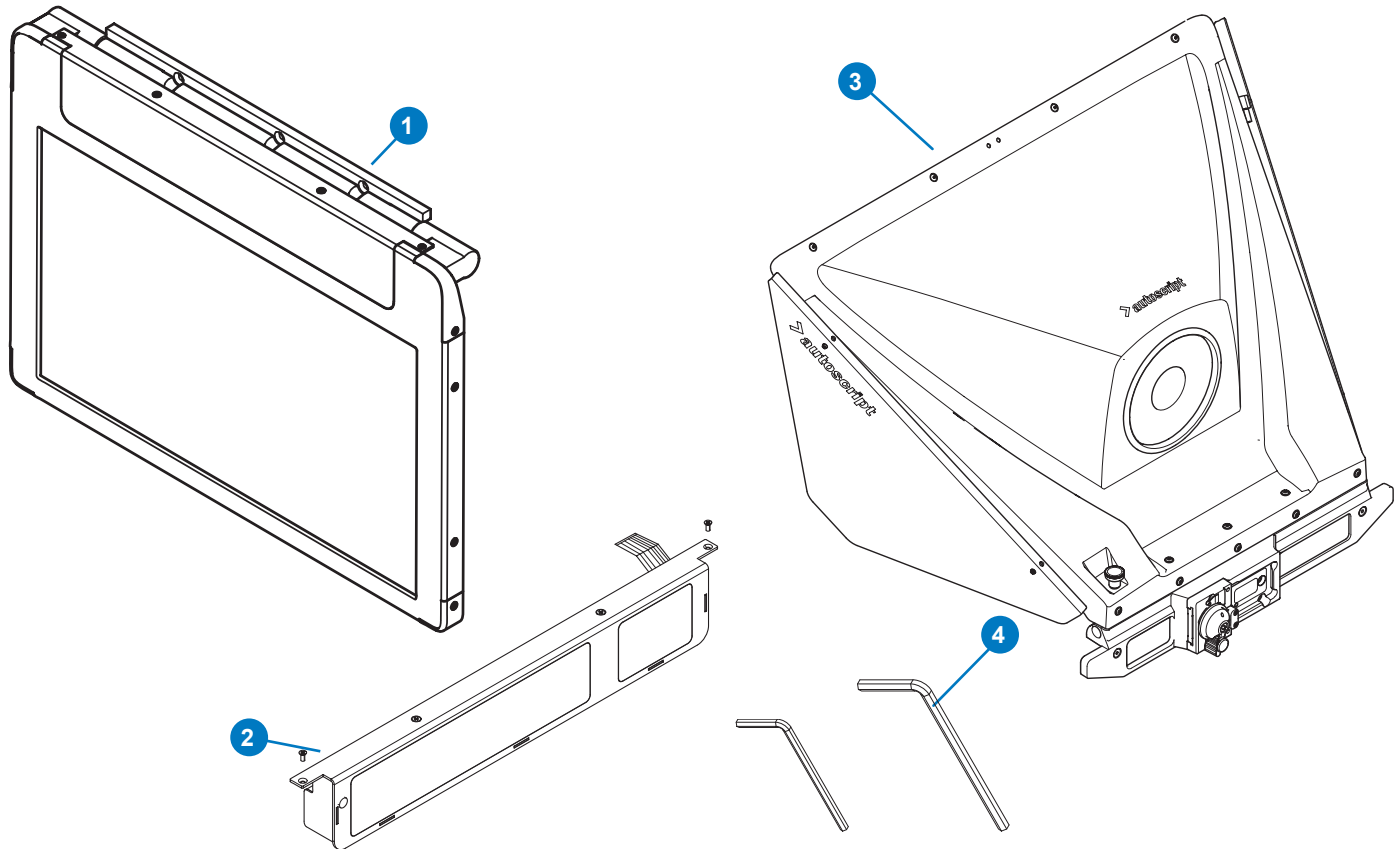


Prompt Monitor Connections



- | | |
|---|-----------------------------|
| 1 | Power 12 - 16.8Vdc |
| 2 | SDI In Prompt Monitor |
| 3 | SDI In Talent Monitor |
| 4 | Tally I/O Port |
| 5 | Power switch |
| 6 | Composite In Prompt Monitor |
| 7 | Composite In Talent Monitor |
| 8 | LTC Clock Input |
| 9 | Ethernet port |

- | | |
|---|--|
| 1 | Prompt and Talent Monitor (EPIC-IP only) |
| 2 | Prompt Monitor (EVO-IP) |



1 ETM-15, 17, 19 or 24

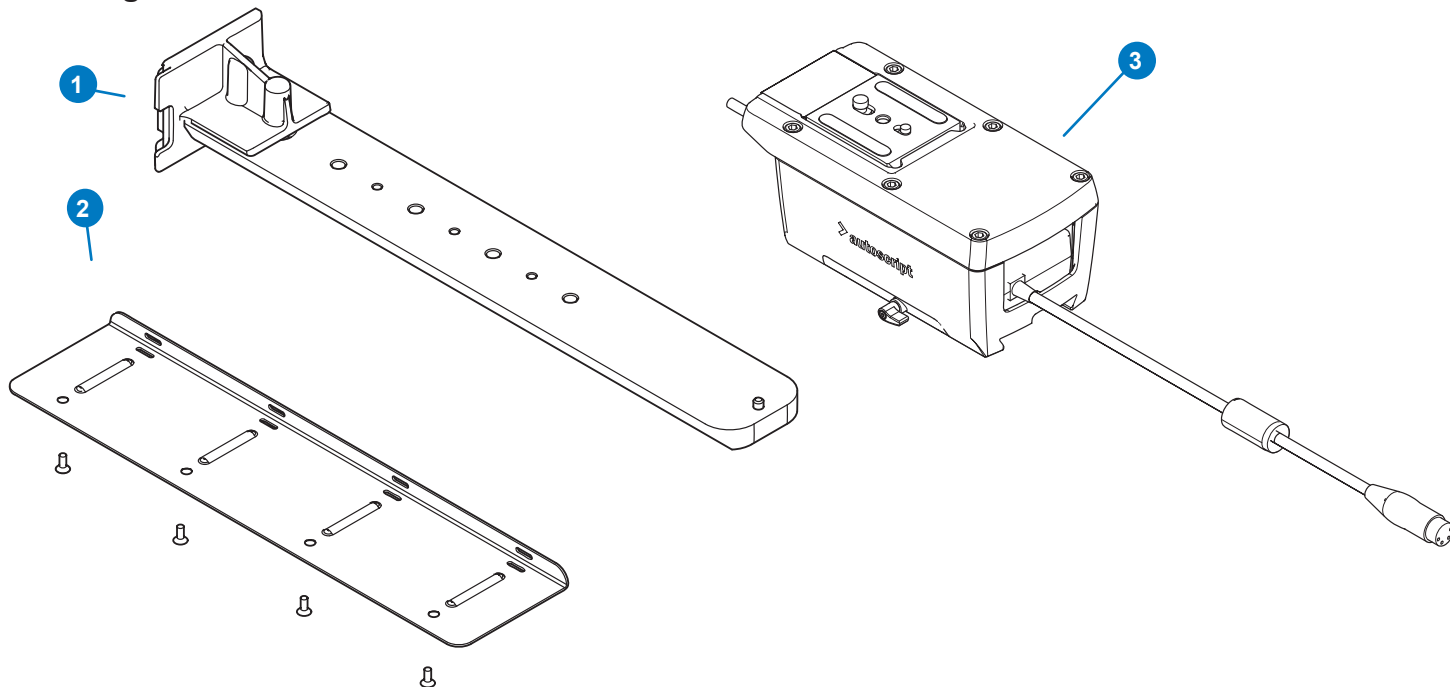
2 CLOCKPLUS-IP

3 Hood c/w Backplate and Reflective glass

4 Hex Key x2

Components and Connections

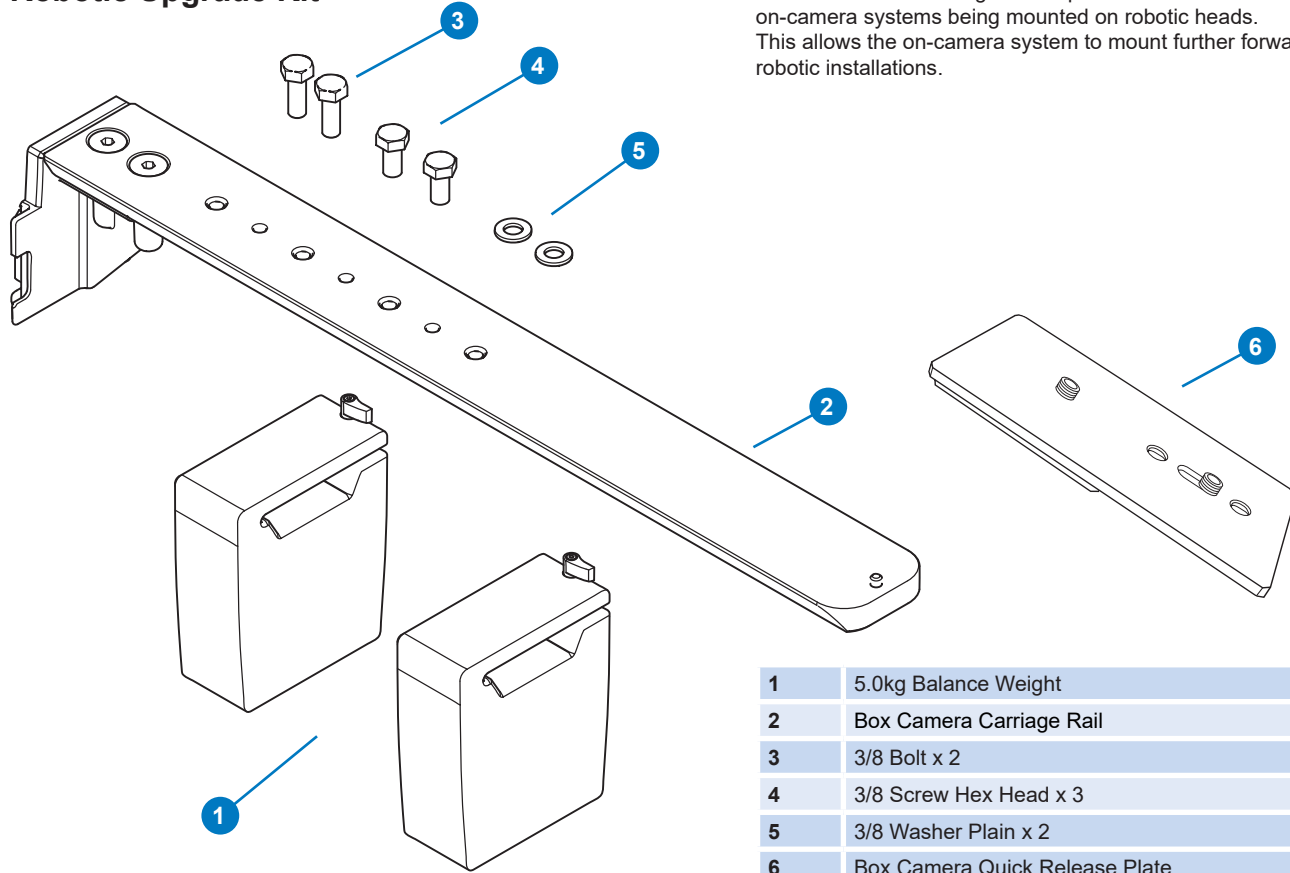
Mounting Kit



1	Rail
2	Cable Tray c/w with Screws and Velcro Cable Ties x 4
3	PSU / Carriage Assembly

Robotic Upgrade Kit

This additional mounting kit is required for EVO-IP and EPIC-IP on-camera systems being mounted on robotic heads. This allows the on-camera system to mount further forward to suit robotic installations.



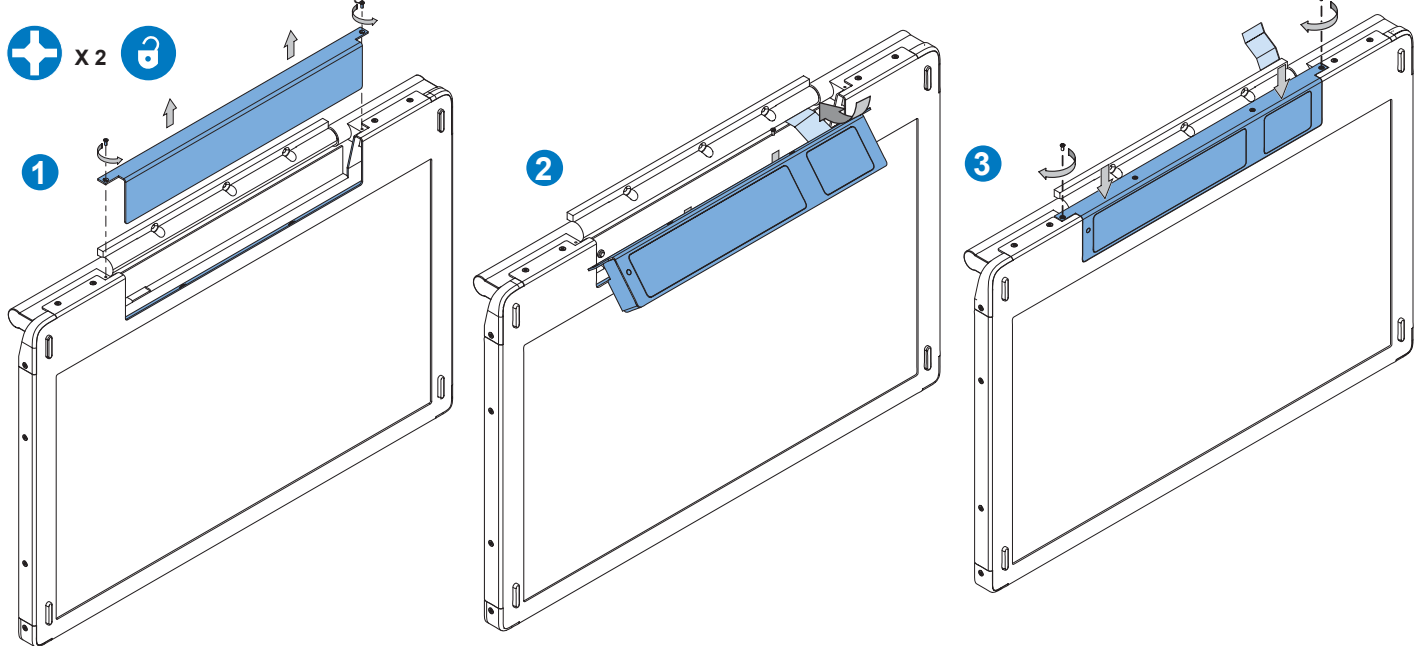
1	5.0kg Balance Weight
2	Box Camera Carriage Rail
3	3/8 Bolt x 2
4	3/8 Screw Hex Head x 3
5	3/8 Washer Plain x 2
6	Box Camera Quick Release Plate.

Fit CLOCKPLUS-IP to Talent Monitor

1. Remove the two screws that secure blanking plate and lift off the plate.
2. Pass the CLOCKPLUS-IP ribbon cable through the aperture in the talent monitor under the hinge.



Note! CLOCKPLUS-IP displays the time-code, tally and camera number information.



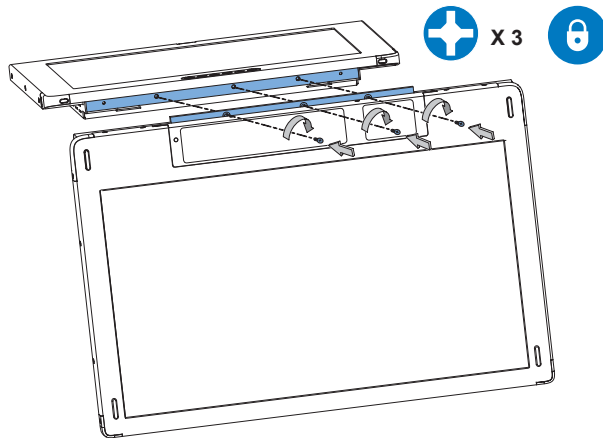
3. Slot the CLOCKPLUS-IP into the recess on the monitor, align the two screw positions and then secure with the 2 x M3 countersunk screws supplied.



To connect the ribbon cable: see **Fit Talent Monitor to EVO-IP Prompt Monitor** on page 9

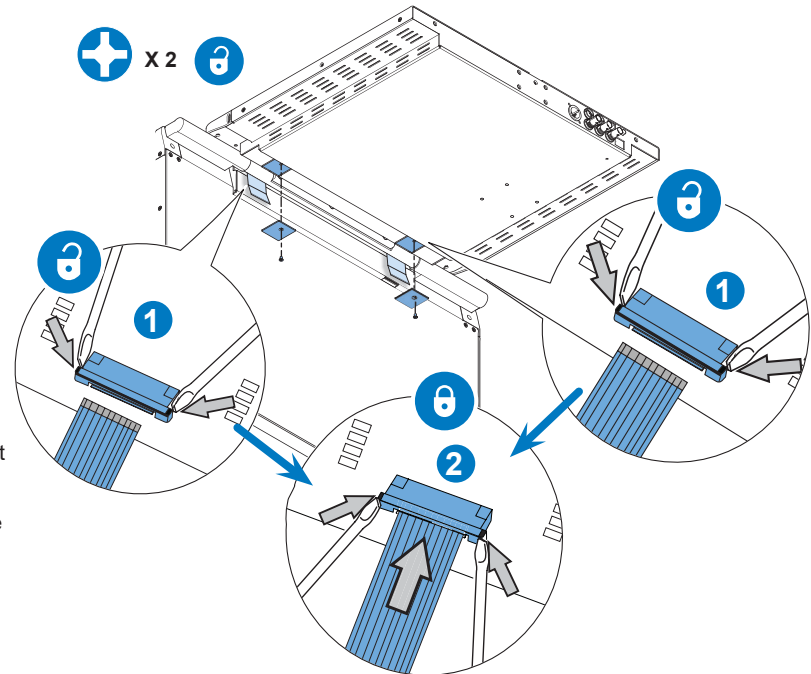
Fit a Talent Monitor to EVO-IP Prompt Monitor

1. Align the talent monitor with the mounting points on the front of the prompt monitor.



2. Insert the 3 x screws into the hinge bar and secure the talent monitor to the prompt monitor.
3. Working on the underside of the prompt monitor, remove the two cover plates to gain access to the ribbon cable sockets.
4. Using a small screw driver or similar device, open the socket latch (1) by carefully pushing the tags at either end outwards.

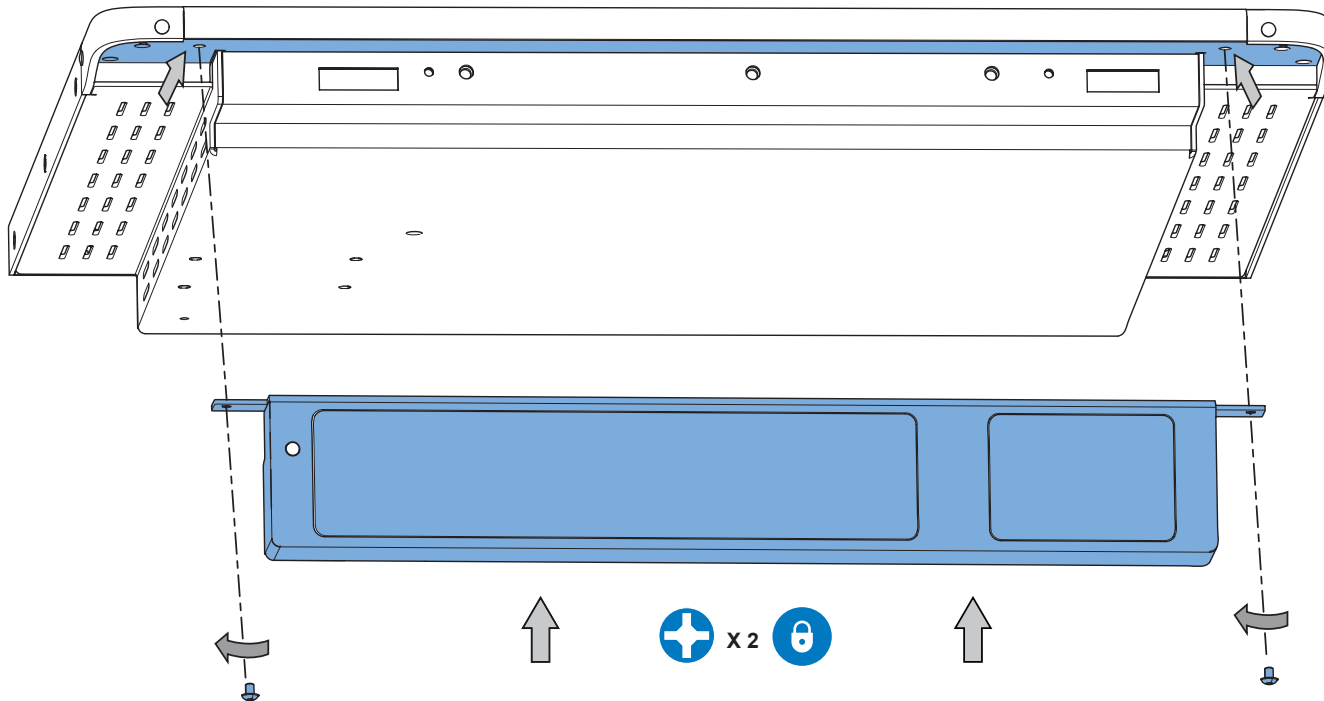
5. Align the ribbon cable with the socket. Gently insert the cable into the socket, push until it is securely in place.
6. With the ribbon cable fully inserted, lock the socket (2) back into place by pushing the tags at either end fully home. Double check that the latch is securely holding the tape in place.
7. Replace the cover plates.



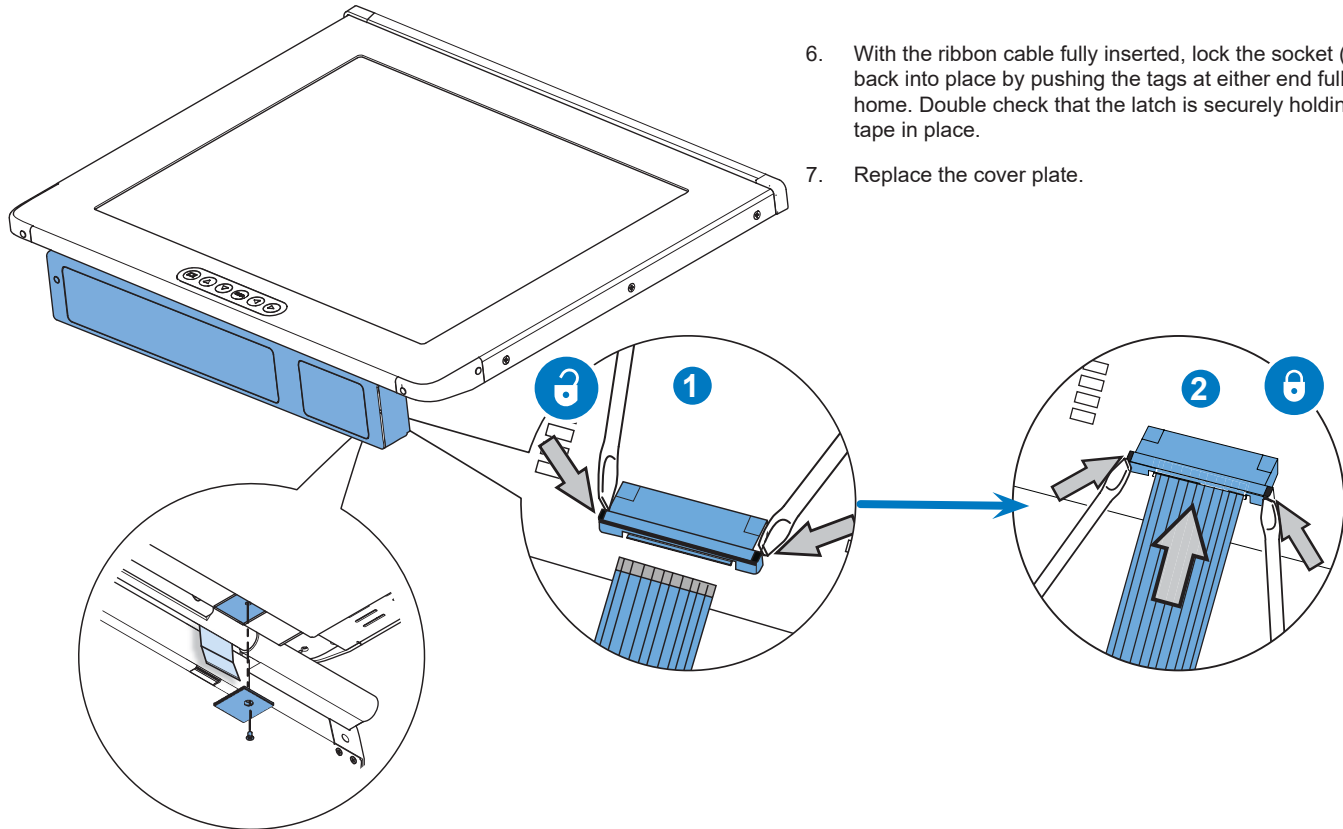
Monitor Setup

Fit CLOCKPLUS-IP to EPIC-IP Prompt Monitor

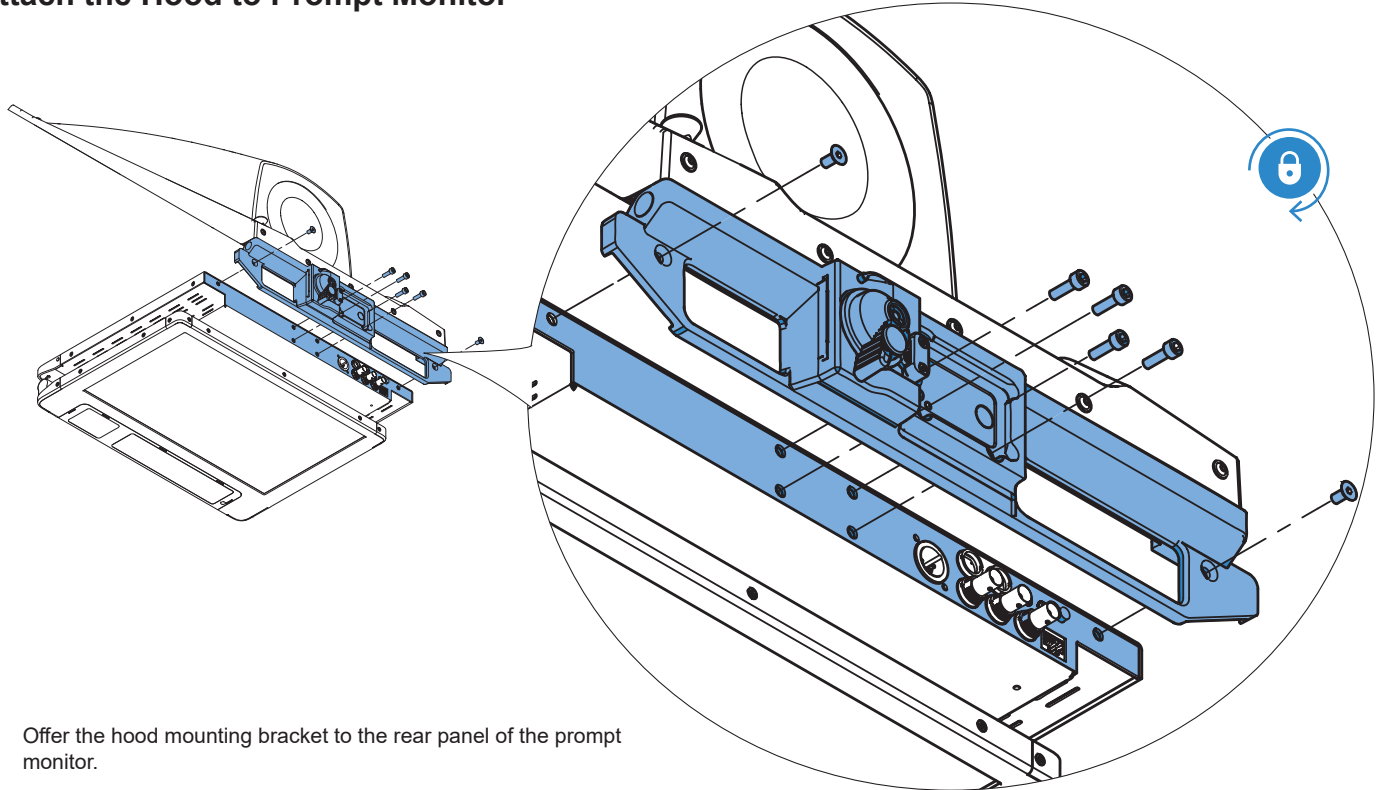
1. Align CLOCKPLUS-IP with the front underside edge of the prompt monitor.
2. Secure in place using the 2 x supplied M3 button head screws.



3. Working on the underside of the prompt monitor, remove the cover plate to gain access to the ribbon cable socket.
4. Using a small screw driver or similar device, open the socket latch (1) by carefully pushing the tags at either end outwards.
5. Align the ribbon cable with the socket. Gently insert the cable into the socket, push until it is securely in place.
6. With the ribbon cable fully inserted, lock the socket (2) back into place by pushing the tags at either end fully home. Double check that the latch is securely holding the tape in place.
7. Replace the cover plate.



Attach the Hood to Prompt Monitor



1. Offer the hood mounting bracket to the rear panel of the prompt monitor.
2. Locate the monitor into the mounting bracket recess.
3. Secure the bracket to the monitor; first using the 2 outer 10mm M5 socket screws, then fix the 4 x centre 16mm M5 socket screws.



Before use, remove the protective paper covering from the glass, to do this the glass will need to be removed from the hood.

To remove the glass see *Removal and Fitting of Reflective Glass on page 13*

Removal and Fitting of Reflective Glass Panel for Replacement or Cleaning



WARNING! Risk of personal injury or injury to others. Care must be taken when handling and installing the reflective glass panels.



CAUTION! Only use the correct size glass panel designed for the installed hood.

Panel Orientation

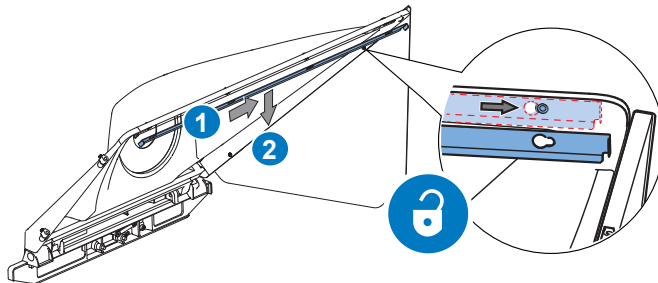
For the prompter to display images, it is essential that the reflective side of the glass is installed facing outwards. The reflective side of the glass can be identified by a removable blue sticker:

Ensure the sticker faces outwards and peel off once the glass is secured in place.

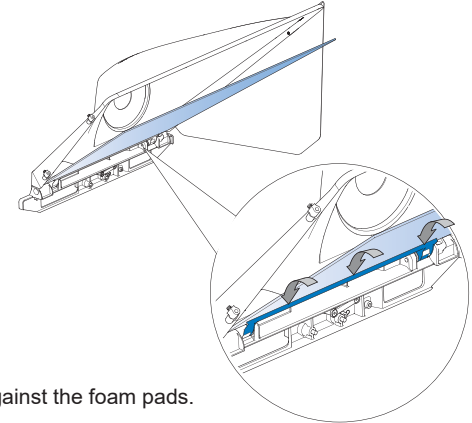
Installing the Glass

The installation procedure for the glass panel is the same on all types of hood. No tools are required.

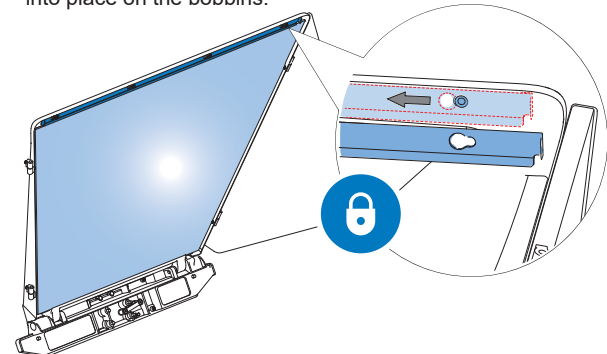
1. Release the top glazing bar by sliding the bar to the right (when facing from the front) until the key way aligns with the bobbins (1) and lower the bar from the hood (2).



2. Carefully position the glass panel on the bottom glazing recess inside the hood, ensure the blue sticker is facing outwards.



3. Lay the glass against the foam pads.
4. Secure the glass using the top glazing bar. Locate the key ways over the bobbins on the hood.
5. Slide the bar to the left (when facing from the front) until it locks into place on the bobbins.



Monitor Configuration

Prompt Monitor Control Panel



WARNING! Risk of electric shock. Always disconnect and isolate the product from the power supply before attempting any servicing or removing the covers. Only authorised technicians are permitted to service the display.



WARNING! DO NOT use if panel has been exposed to water ingress, the panel has been dropped or the enclosure is damaged. Refers to authorised service personnel.



CAUTION! Personal Injury. Equipment Damage: Do not place any objects on the cables. Route all cables such that they do not present a stumbling hazard.

Connection

1. Before connecting the SDI or CVBS cables ensure that the power supply is disconnected.



Note! Incorrect connections may impair the proper function of the flat panel display, cause poor image quality and / or damage the LCD module.

2. Connect the power supply using the supplied 4-pin XLR, 12-16.8Vdc psu only.
(Use of any non authorised psu will invalidate the warranty).

OSD Controls (On Screen Display menu)

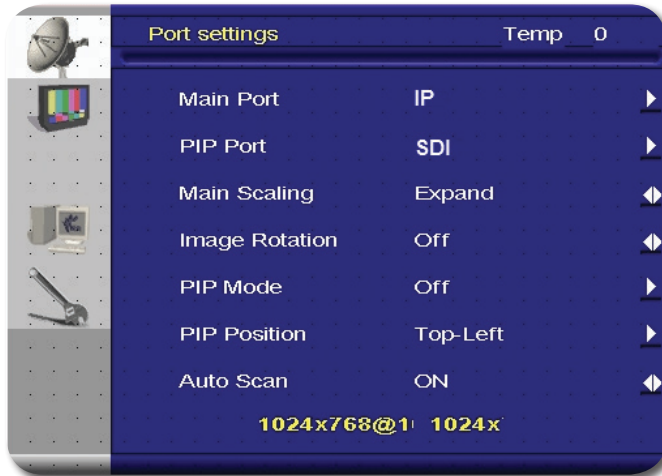
The OSD controls are located at the front of the flat panel display.



Icon	Function
	ENTER Button: Turns on Screen Display (OSD) Menus ON or OFF
	UP ARROW button: Select Sub-menu / Flip Vertical / Increase Value
	RIGHT ARROW button: Function Select / Flip Horizontal
	DOWN ARROW button: Select sub-menu / Flip vertical / Decrease value
	LEFT ARROW button: Function Select / Flip Horizontal
	TOGGLE button: Toggles between Prompter / talent menu. To range from the talent to prompt monitor, press the toggle button twice, press again to return the OSD to the talent monitor.

OSD Menu

The following information describes how to navigate the main and sub-menu, the function and result of the adjustments and how to modify settings.



The individual function groups of the four main menu are selected with the navigation button. The selected option is highlighted.

OSD Lock / Unlock

Lock OSD: Press the **ENTER** (ENTER) key once and then press the **UP** (UP) key twice within 3 seconds when OSD is not active.

Unlock OSD: Press any key once, when "OSD Locked" appears on the monitor, press the **UP** (UP) key once followed by the **right** (RIGHT) key twice, within 3 seconds.

Port Settings



In the main menu input, select the input channel, input scan. PIP mode, image rotation and scaling.

Main port	IP CVBS SDI
*PIP Port	Expand CVBS SDI
Main scaling	Expand Aspect 1:1
Image rotation	Off V Rotation V Mirror H Mirror
PIP mode	Small PIP Large PIP Off Side by Side
PIP position	Top Right Top Left Bottom Right Bottom Left
Auto scan	On Off

*Main and PIP cannot be set to SDI and CVBS, or CVBS and SDI simultaneously.

Monitor Configuration

Image Settings



In the main menu use the “Image Settings” to adjust the screen.

Brightness	Sets the Screens Brightness
Contrast	Sets the Screens Contrast
Sharpness	Sets the Screens Saturation
Backlight	Sets the Screens Backlight Brightness
Scheme	Set the Screens Flesh Tone
Colour	Sets the Colour Temperature
User	Sets the RGB Colour Value

Setup



Language	OSD Language
Hor. Position	Sets OSD Horizontal Position
Vert. Position	Sets OSD Vertical Position
Transparency	Sets OSD Blend
OSD Timer	Sets OSD Timeout
Factory Reset	Resets Monitor to Default, all User Saved Settings Will be Lost

Video



Only selectable if a signal is present on an active video channel.

Dynamic NR Mode	Use for Optimum Motion Sharpness
Mpeg Processing	Filter for MPEG

Connecting the Prompt Monitor

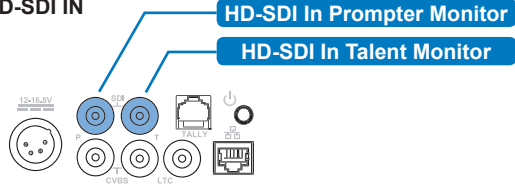
Video Connections

Connect the video signal (for prompter display) using one of the following options.

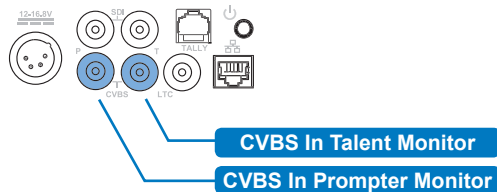


Connection using composite video or SDI to the prompter monitor should always be made with screened 75Ω coaxial cable. The video cable screen should be connected to earth (ground) at both ends.

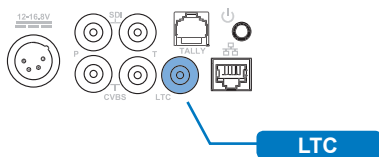
Dual HD-SDI IN



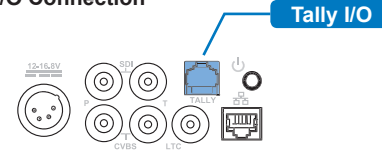
Dual CVBS IN



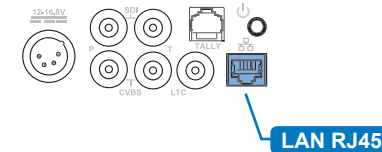
LTC Connection



Tally I/O Connection



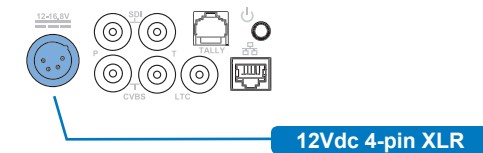
Ethernet Connection



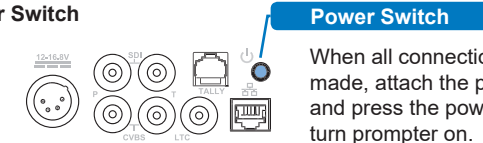
Power In 12Vdc



WARNING! Always isolate the product from the power supply before connecting the power supply lead. Only use the supplied 4-pin XLR, 12-16.8Vdc PSU, use of non-approved PSU will invalidate the warranty.



Power Switch



When all connections have been made, attach the power supply and press the power switch to turn prompter on.

For more information on the specification of connections see **Technical Specifications**

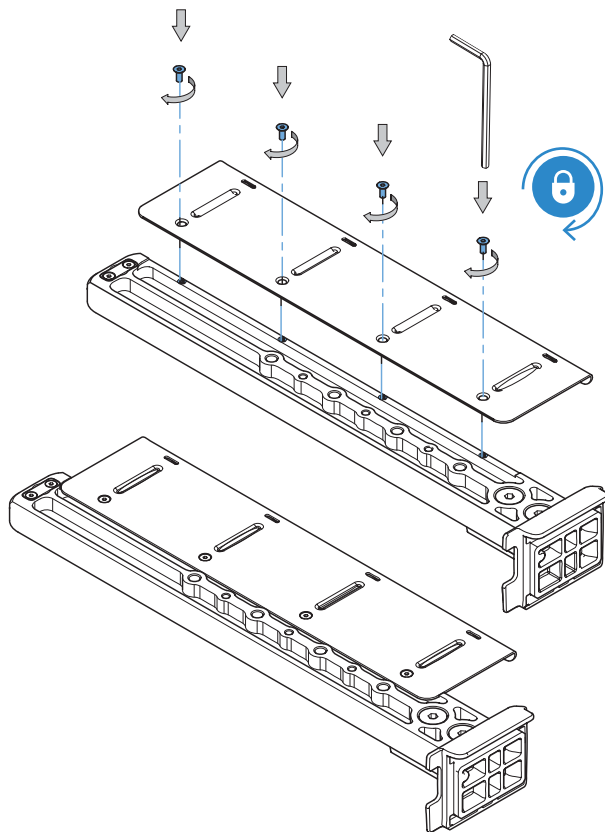
Monitor Troubleshooting

Monitor Troubleshooting

Fault	Check	Comments
The power LED is not illuminated	The power supply is connected and switched on	
No picture	The power supply is connected and switched on	
	The signal cable is correctly connected to the graphics board or to the video source and display	
	The device is turned on and set to the correct mode (VGS or Video)	
	The selected graphics mode: Does the display support the graphics mode of the graphics board	(See technical specifications)
	The connectors for bent pins	
	The screen saver settings	
The image is blurred or unstable	The signal cable	Are both ends connected correctly
	The selected graphics mode	Does the display support the graphics mode of the graphics board
	The selected resolution	Is the device set to a resolution of 1280 x 1024 (17" & 19") or 1024 x 768 (15") at a refresh rate of 60 Hz (at resolutions below 1280 x 1024 (17" & 19") or 1024 x 768 (15"), the image is expanded (=> interpolated) which may cause interpolation errors. As a result the image may look blurred. However, this does not indicate a device defect!
The image is not sized properly or is not centred	The horizontal and vertical image position in the OSD menu	
	The selected graphics mode: does the display support the graphics mode of the graphics board	
OSD error message "Signal over-range"	The selected graphics mode: Does the display support the graphics mode of the graphics board	Select the graphics mode that is supported by the display

Assemble the Rail and Carriage Assembly

1. Attach the cable tray if required, to the underside of the rail using the 4 x 10mm M4 socket screws. Use the supplied Velcro cable tie's to secure cables to the tray.

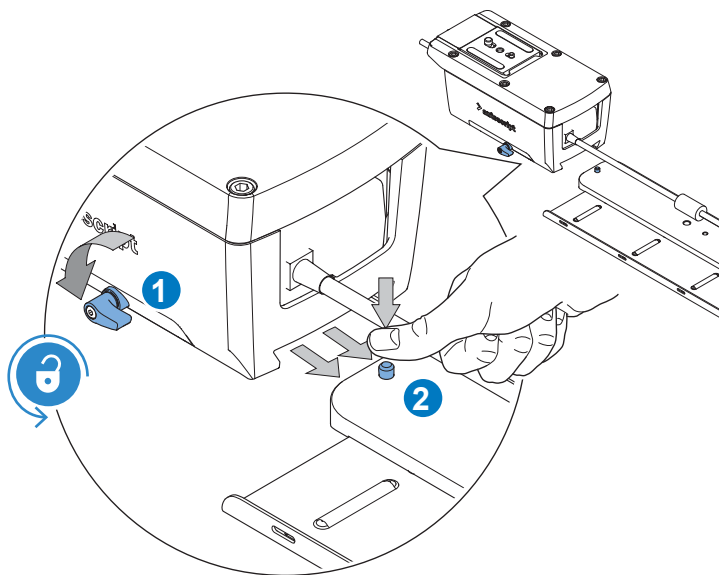


Slide the carriage onto the Rail.

1. Loosen the clamp lever (1) on the carriage assembly.
2. Press the stop pin (2) so it is flush with the rail and slide the carriage over the rail.



CAUTION! Finger pinch point. Take care not to pinch fingers when sliding the carriage onto the rail.

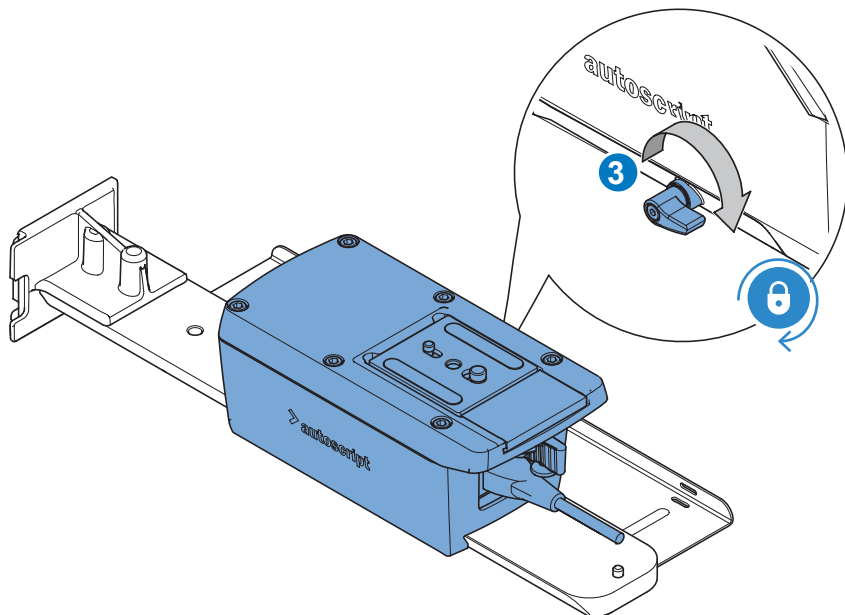


Installation

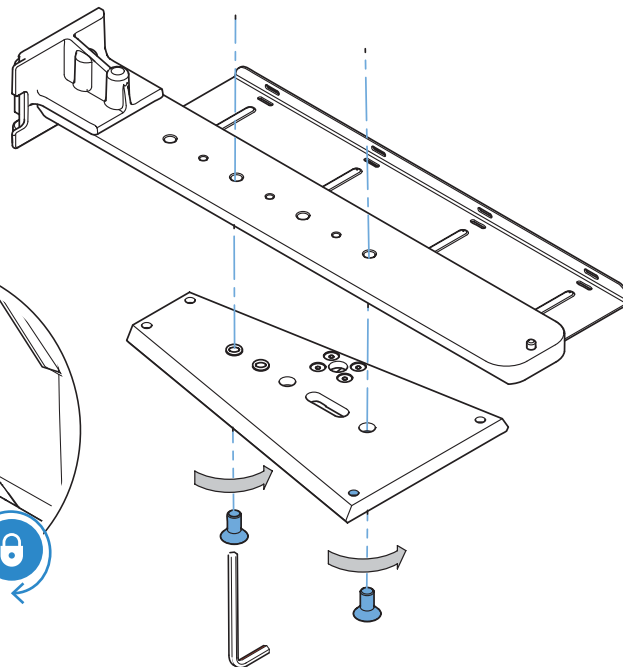
- Slide the carriage to the desired position and tighten the clamp lever (3).



Note! When sliding on the carriage without a payload attached, apply an even downward pressure for smooth movement.



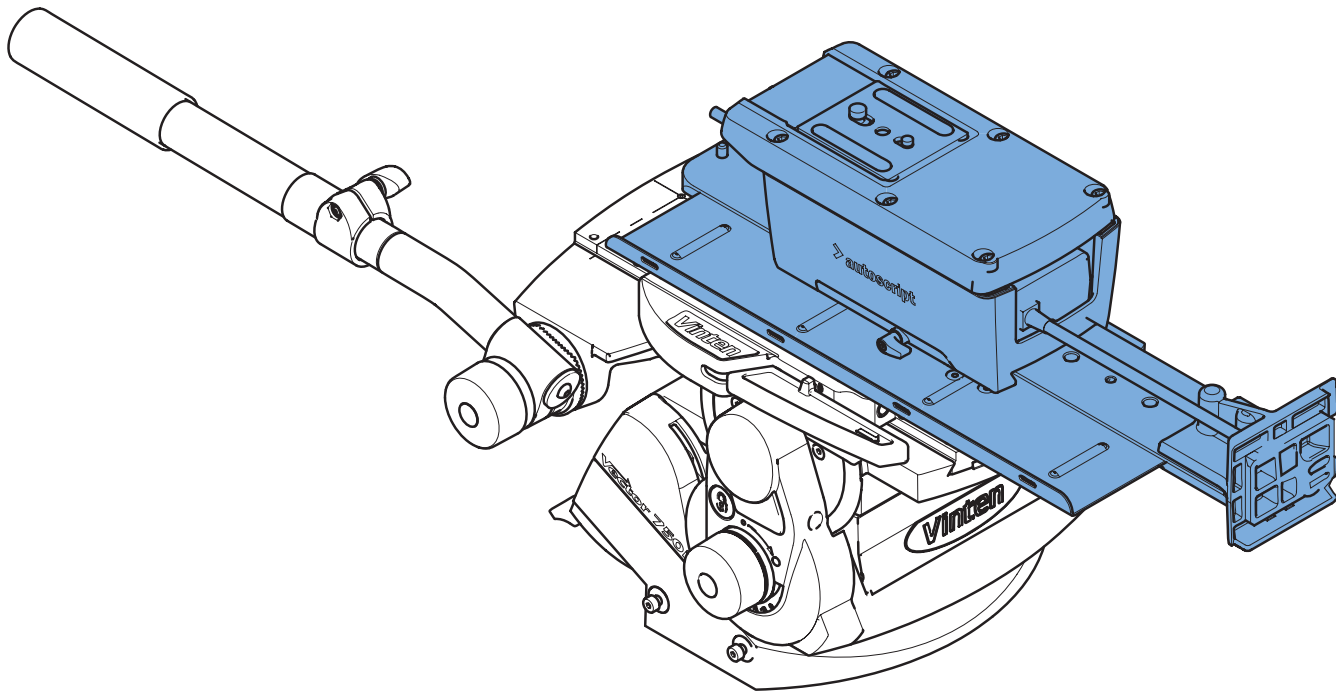
- Screw the rail to the camera plate, choose the mounting holes best suited to balance the payload.





WARNING! Before attempting to install or adjust the prompter assembly, the tilt axis of the head support must be securely locked.

5. Fix the camera plate with attached rail and carriage assembly to the head and lock it into position. (Refer to the user guide for the head and camera plate assembly and usage).

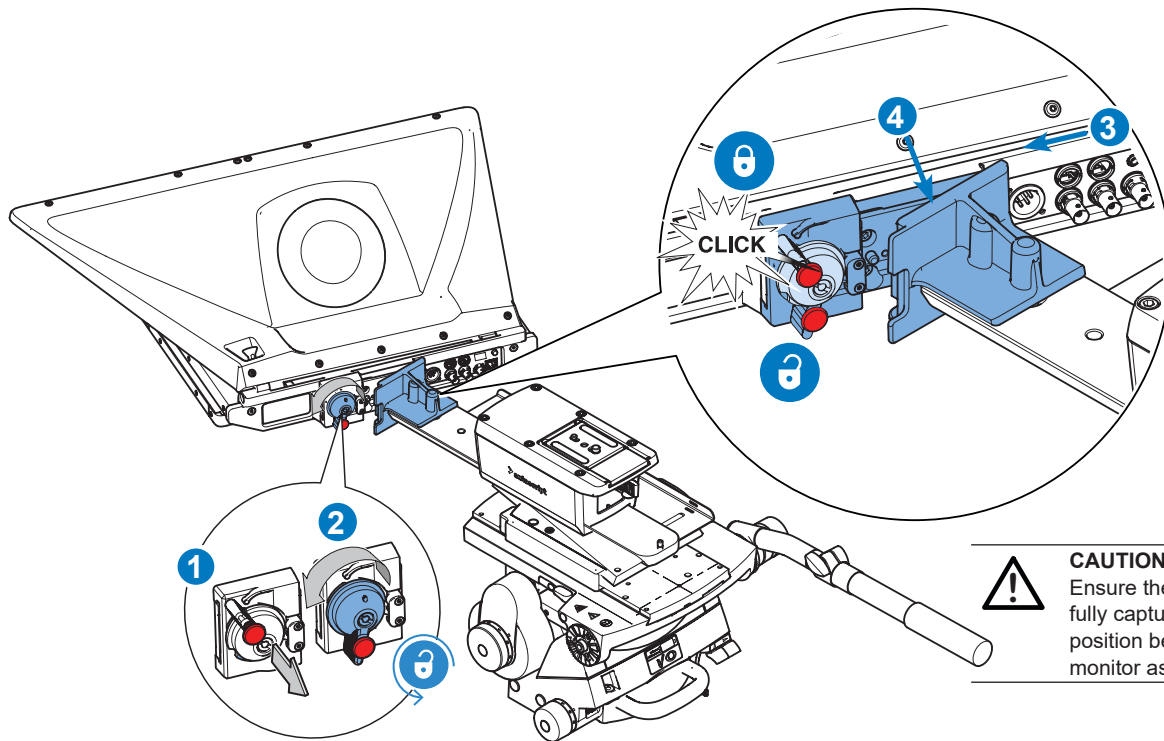


Installation

Attach Hood & Monitor Assembly Onto the Rail.

1. Pull the red safety lock pin (1) outwards.
2. Turn the locking lever (2) anticlockwise until it clicks into the unlocked position.

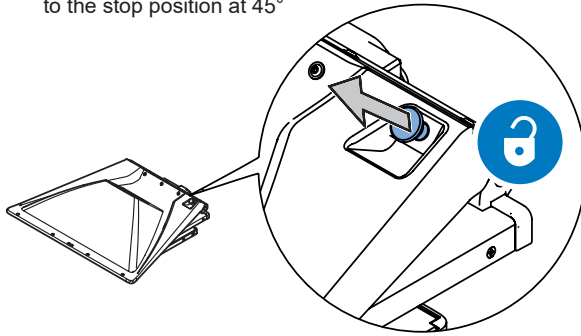
3. Position the hood assembly into the right hand edge of the rail mounting bracket (3), ensure the chamfered edge of the bracket is engaged with the hood.
4. Rotate the hood towards the rail until the mounting bracket fully engages and the locking lever clicks into the locked position (4).
5. Push up the lever to tighten.



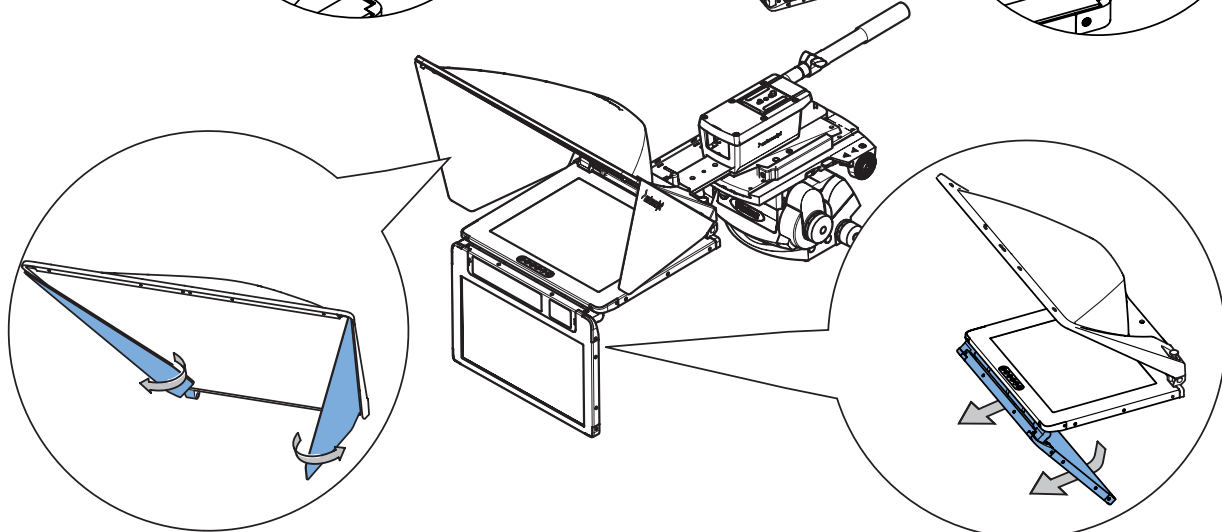
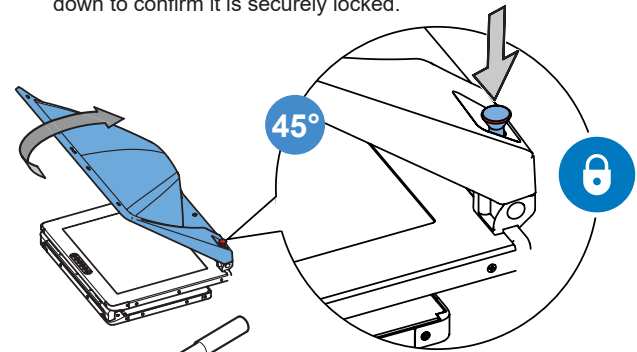
CAUTION!

Ensure the mounting bracket has been fully captured and is locked firmly in position before releasing the hood and monitor assembly.

1. To set up the hood, pull the hood release pin and raise the hood to the stop position at 45°



2. With the hood in position the lock pin will latch into place, push down to confirm it is securely locked.



3. The barn doors have friction hinges, pull them open to the required position to reduce external light from the glass screen. Ensure they do not obstruct the field of view of the lens.

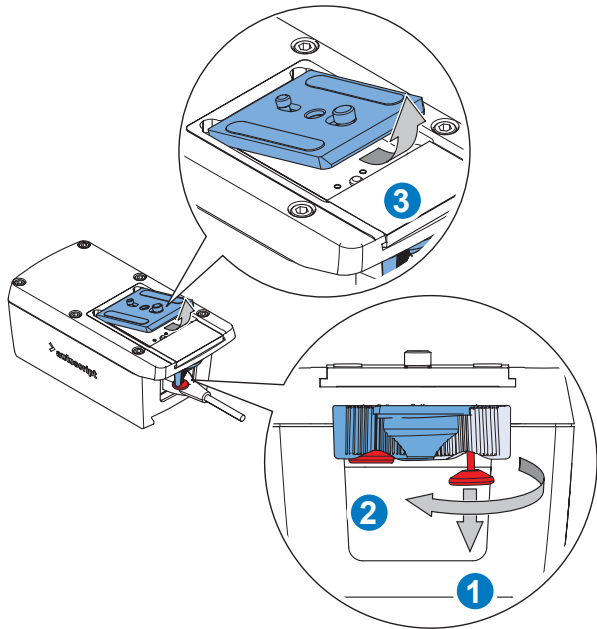
4. **EPIC only.** The talent monitor has friction hinges. Simply pull into the desired position.

Mounting the Camera.

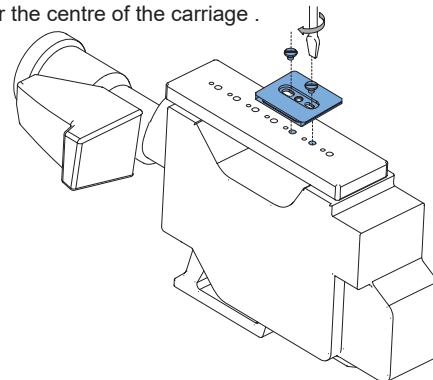


WARNING! Before attempting to install or adjust the prompter assembly, the tilt axis of the head support must be securely locked.

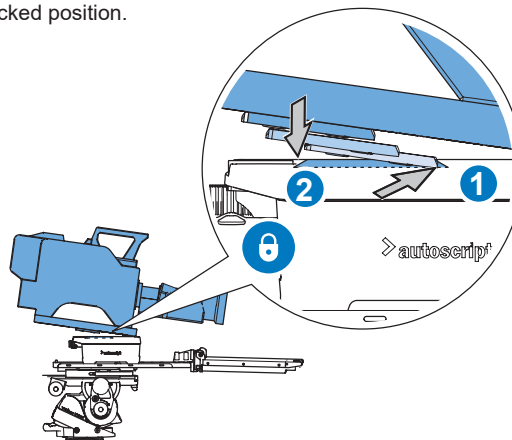
1. Pull the red safety lock pin (1) outwards.
2. Turn the locking lever (2) anticlockwise until it clicks into the unlocked position.
3. The camera plate will be released from the carriage assembly.



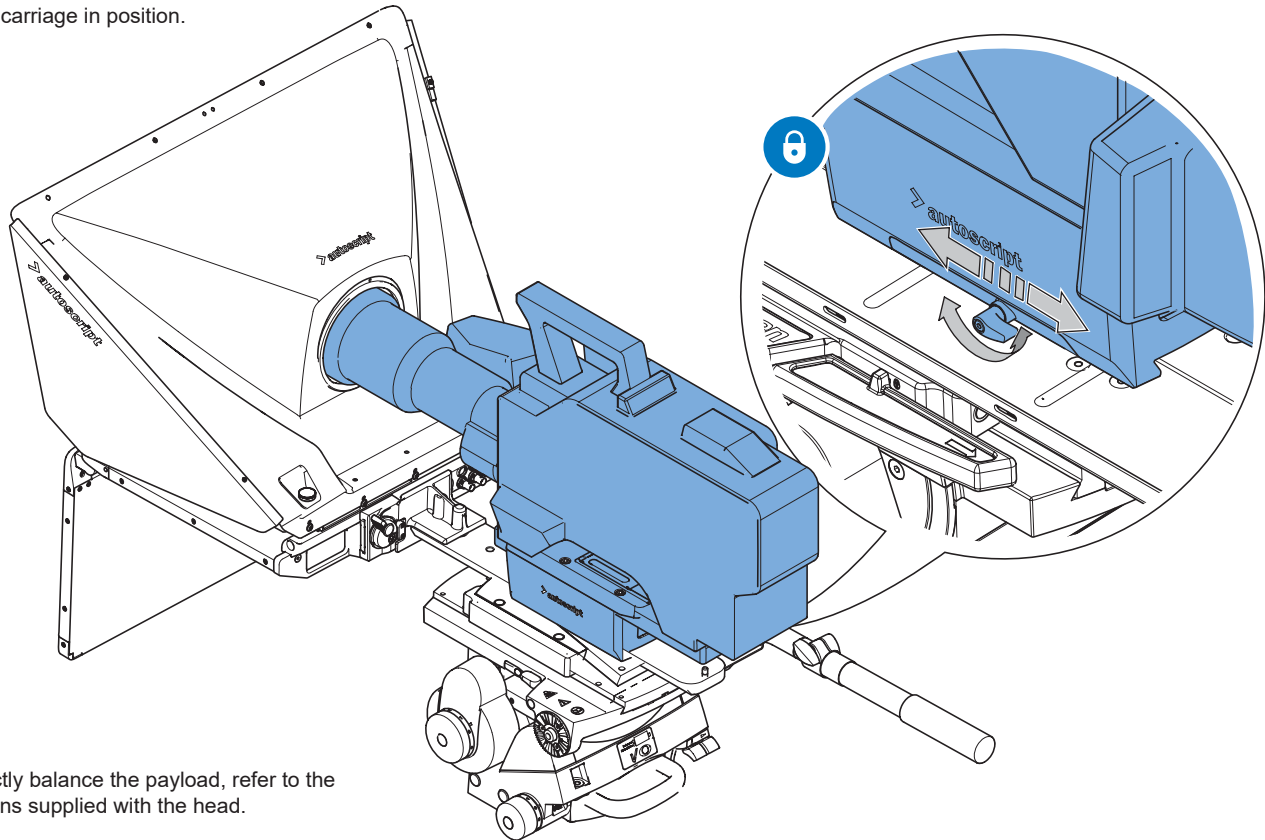
4. Attached the camera plate to the camera such that the centre of the camera is over the centre of the carriage .



5. Position the camera plate and camera at a forwards angle into the front of the carriage recess and push down. It will lock automatically and the lock lever will audibly snap back to the locked position.



6. Undo the carriage clamp and slide the camera lens through the hood aperture, the lens should be as close to the prompter glass as possible.
7. Lock the carriage in position.



8. To correctly balance the payload, refer to the instructions supplied with the head.

Technical Specification

EPIC-IP	EPIC-IP15	EPIC-IP17	EPIC-IP19	EPIC-IP19XL
General				
Operating temp. / Storage temp.	0° - +35°C / -20° - +60°C	0° - +35°C / -20° - +60°C	0° - +35°C / -20° - +60°C	0° - +35°C / -20° - +60°C
Weight	5.45kgs	6.25kg	7.05kgs	8.75kgs
Prompt Monitor Dimensions	400mm x 317mm x 41mm	440mm x 360mm x 41mm	468mm x 399mm x 41mm	467mm x 399mm x 41mm
Feedback Monitor Dimensions	400mm x 285mm x 19mm	440mm x 310mm x 19mm	468mm x 327mm x 19mm	596mm x 397mm x 22mm
Prompt Display				
Size	15"	17"	19"	19"
Display Area	304mm x 228mm	338mm x 270mm	376mm x 301mm	376mm x 301mm
Brightness	1500 nits	1500 nits	1500 nits	1500 nits
Contrast	700:1	1000:1		
Resolution	1024x768	1280x1024		
Viewing Angle	160° H / 120° V	170° H / 160° V		
Feedback Display				
Size	15.6"	17.3"	18.5"	24"
Display Area	344mm x 194mm	382mm x 215mm	409mm x 230mm	531mm x 299mm
Brightness	400 nits		350 nits	300 nits
Contrast	500:1	600:1	1000:1	5000:1
Resolution	1920 x 1080	1920 x 1080	1920 x 1080	1920 x 1080
Viewing Angle	140° H / 120° V	160° H / 140° V	178° H / 178° V	
Ancillaries				
Tally Display	Std, 2 Front & 2 Side/Rear			
Camera ID	Option, CLOCKPLUS-IP			
Clock Display	Option, CLOCKPLUS-IP			

EPIC-IP	EPIC-IP15	EPIC-IP17	EPIC-IP19	EPIC-IP19XL
Connectivity				
Prompt Monitor Video Inputs	75Ω BNC type, HD-SDI BNC type, Pin: Centre: HD-SDI In. Outer: Ground (cable screen) CVBS (PAL/NTSC) Pin: Centre: Composite Video In (PAL or NTSC). Outer: Ground (cable screen)			
Feedback Monitor Video Inputs	75Ω BNC type, HD-SDI BNC type, Pin: Centre: HD-SDI In. Outer: Ground (cable screen) CVBS (PAL/NTSC), Pin: Centre: Composite Video In (PAL or NTSC). Outer: Ground (cable screen)			
Tally I/O	RJ12 socket, Power Switch Push-button, latching Pin1: +12Vdc Sensor in, Pin2: Sensor In, Pin3: N.C., Pin4: +12Vdc, Pin5: Sensor Out, Pin6: Ground			
Timecode	BNC type, LTC (un-balanced) VITC (via CVBS Prompt and Feedback Monitor Inputs), Option D-VITC (via HD-SDI Prompt and Feedback Monitor Inputs), Option NTP (via LAN) Pin: Centre LTC In, Outer: Ground (cable screen)			
LAN	RJ45, 10Base-T/100Base-TX			
Power				
Input	4-pin XLR, 12-16.8Vdc			
Output	12Vdc (via Tally I/O)			
Consumption	42W	48W	51W	71W
Switch	Pushbutton, latching			
Pin	Pin1: Ground (connected to monitor chassis), Pin4: +12Vdc			

Technical specifications are subject to change without notice.

Technical Specification

EVO-IP	EVO-IP15	EVO-IP17	EVO-IP19
General			
Operating temp. / Storage temp.	0° - +35°C / -20° - +60°C	0° - +35°C / -20° - +60°C	0° - +35°C / -20° - +60°C
Weight	3.0kgs	3.5kg	3.9kgs
Prompt Monitor Dimensions	400mm x 317mm x 41mm	440mm x 360mm x 41mm	468mm x 399mm x 41mm
Display			
Size	15"	17"	19"
Display Area	304mm x 228mm	338mm x 270mm	376mm x 301mm
Brightness	1500 nits		
Contrast	700:1	1000:1	
Resolution	1024x768	1280x1024	
Viewing Angle	160° H / 120° V	170° H / 160° V	
Ancillaries			
Tally Display	Std, 2 Front & 2 Side/Rear		
Camera ID	Option, CLOCKPLUS-IP (or TALLYPLUS)		
Clock Display	Option, CLOCKPLUS-IP		
Connectivity			
Prompt Monitor Video Inputs	75Ω BNC type, HD-SDI BNC type, Pin: Centre: HD-SDI In. Outer: Ground (cable screen) CVBS (PAL/NTSC) Pin: Centre: Composite Video In (PAL or NTSC). Outer: Ground (cable screen)		
Feedback Monitor Video Inputs	75Ω BNC type, HD-SDI BNC type, Pin: Centre: HD-SDI In. Outer: Ground (cable screen) CVBS (PAL/NTSC), Pin: Centre: Composite Video In (PAL or NTSC). Outer: Ground (cable screen)		
Tally I/O	RJ12 socket, (Opto-sensor/Contact closure/Digital Input/Digital Output) Pin1: +12Vdc Sensor In, Pin2: Sensor In, Pin3: n.c., Pin4: +12Vdc, Pin5: Sensor Out, Pin6: GND. Power Switch: Push button latching.		

EVO-IP	EVO-IP15	EVO-IP17	EVO-IP19
Timecode	BNC type, LTC (un-balanced) VITC (via CVBS Prompt and Feedback Monitor Inputs), Option D-VITC (via HD-SDI Prompt and Feedback Monitor Inputs), Option NTP (via LAN)		
LAN	RJ45, 10Base-T/100Base-TX		
Power			
Input	4-pin XLR, 12-16.8Vdc		
Output	12Vdc (via Tally I/O)		
Consumption	25W	26W	19W
Switch	Pushbutton, latching		

Technical specifications are subject to change without notice.

Routine Maintenance

The prompter assembly requires minimal routine maintenance, apart from checking the connections and overall operation periodically.

Routine checks

During use, check the following:

- Check cables for signs of wear or damage. Replace as necessary.
- Check that all cables are connected properly.
- Check fixings are all tight.

Cleaning



WARNING! Risk of electric shock. Disconnect and isolate the product from the power supply before cleaning.

During normal use the only cleaning required should be a regular wipe over with a dry, lint-free cloth. Dirt accumulated during storage or periods of disuse may be removed with a vacuum cleaner. Particular attention should be paid to all connection ports on the Prompter.

Reflective glass cleaning



WARNING! Risk of personal injury or injury to others. Care must be taken when handling or cleaning the reflective glass panels.

Care and cleaning of the reflective glass panel is essential for increased life and prompting display performance.

No solvents or glass cleaners should be used. Only use clean water and a damp lens cloth when cleaning. Do not apply excessive pressure to the reflective glass panel during the cleaning process.

FCC Certification



FCC Notice

This product complies with the limits for a Class A digital device, pursuant to Part 15 of the FCC Rules. These limits are designed to provide reasonable protection against harmful interference in a residential installation. This equipment generates, uses and can radiate radio frequency energy and, if not installed and used in accordance with the instructions, may cause harmful interference to radio or television reception, which can be determined by turning the equipment off and on. The user is encouraged to try to correct the interference by one or more of the following measures:

- Reorient or relocate the receiving antenna.
- Increase the separation between the equipment and receiver.
- Connect the equipment into an outlet on a circuit different from that to which the receiver is connected.
- Consult the dealer or an experienced radio/television technician for assistance.

FCC Warning

Changes or modifications not expressly approved by the party responsible for compliance could void the user's authority to operate the equipment.

FCC Declaration of Conformity

This product complies with Part 15 of the FCC Rules. Operation is subject to the following two conditions:

1. This product may not cause harmful interference.
2. This product must accept any interference received, including interference that may cause undesired operations.

Declaration of Conformity



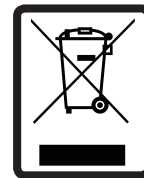
Vitec Videocom Limited declares that this product has been manufactured in accordance with BS EN ISO 9001:2008.

This product complies with the following EU Directives:

- Low Voltage Directive 2014/35/EU
- EMC Directive 2014/30/EU

Compliance with these directives implies conformity to applicable harmonized European standards (European Norms) which are listed on the EU Declaration of Conformity for this product or product family. A copy of the Declaration of Conformity is available upon request.

Environmental considerations



European Union Waste of Electrical and Electronic Equipment (WEEE) Directive (2012/19/EU)

This symbol marked on the product or its packaging indicates that this product must not be disposed of with general household waste. In some countries or European Community regions separate collection systems have been set up to handle the recycling of electrical and electronic waste products. By ensuring this product is disposed of correctly, you will help prevent potentially negative consequences for the environment and human health. The recycling of materials helps conserve natural resources.

Visit our website for information on how to safely dispose of this product and its packaging.

In countries outside the EU:

Dispose of this product at a collection point for the recycling of electrical and electronic equipment according to your local government regulations.



Publication No. A9010-4980/0



www.autoscript.tv