

## Fuel Tank Fuel Pump Module Replacement (Single Transfer Pipe)

### Special Tools

CH 45722 Fuel Sender Lock Ring Wrench

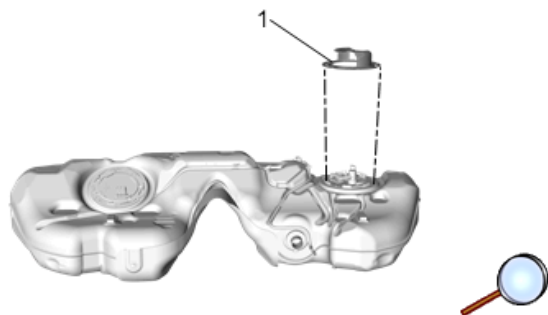
Equivalent regional tools: [Special Tools](#)

### Removal Procedure

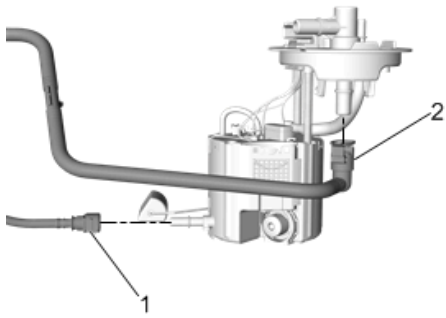
**Warning:** Refer to [Gasoline/Gasoline Vapors Warning](#).

**Warning:** Refer to [Safety Glasses Warning](#).

1. [Fuel Tank Replacement](#) » Remove
2. [Fuel Tank Vent Valve Hose Replacement](#) @ Fuel Tank Fuel Pump Module » Remove
3. [Fuel Pump Fuel Feed Hose Replacement](#) » Remove
4. Disconnect the electrical connector.

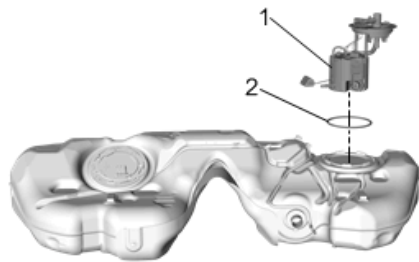


5. Use the CH 45722 wrench by turning counter clockwise and remove the lock ring (1).



6. Transfer Hose (1) » Disconnect — [Plastic Collar Quick Connect Fitting Service](#)

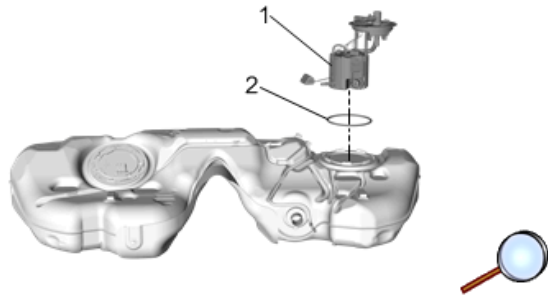
7. Fuel Tank Vent Hose (2) » Disconnect — [Plastic Collar Quick Connect Fitting Service](#)



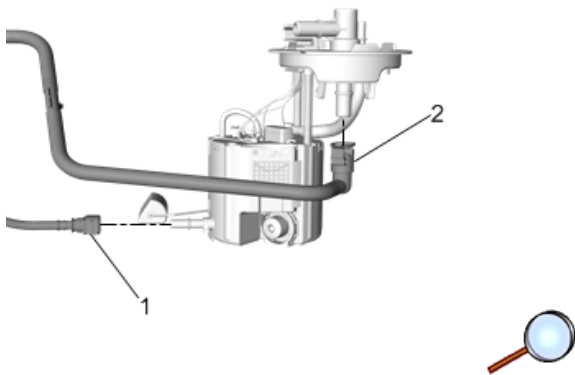
8. Fuel Tank Fuel Pump Module (1) » Remove

9. Fuel Pump Seal (2) » Remove and DISCARD

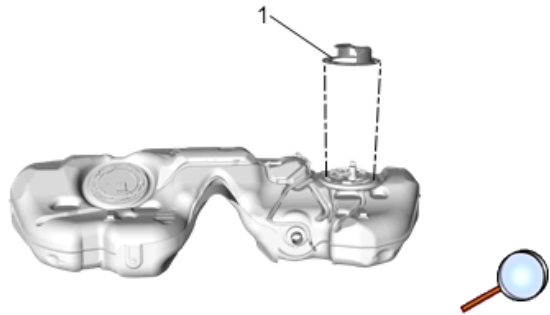
### [Installation Procedure](#)



1. Fuel Pump Seal (2) » Install a NEW seal.
2. Fuel Tank Fuel Pump Module (1) » Install



3. Fuel Tank Vent Hose (2) » Connect — [Plastic Collar Quick Connect Fitting Service](#)
4. Transfer Hose (1) » Connect — [Plastic Collar Quick Connect Fitting Service](#)



5. Use the *CH 45722* wrench by turning clockwise and install the lock ring (1).
6. [Fuel Pump Fuel Feed Hose Replacement](#) » Install
7. [Fuel Tank Vent Valve Hose Replacement](#) @ Fuel Tank Fuel Pump Module » Install
8. Connect the electrical connector.
9. [Fuel Tank Replacement](#) » Install