

# Service Manual

Created: 07 October 2014



## EUROPOWER PMP3000

### 1,200-Watt 16-Channel Powered Mixer with Multi-FX Processor and FBQ Feedback Detection System

Specifications .....	2
Parts List .....	3
Exploded Drawing .....	36

[behringer.com](http://behringer.com)



## Hi Pcb Assemblies

	Quantity	Unit	S.Sku	M.Sku	Description	Reference Designators	Notes
1	1.0000	PC		A05-23304-01209	PCB ASSEMBLY;HCA2400;REV:F;HI;NO:610050		
2	1.0000	PC		A05-23305-06943	PCB ASSEMBLY;SPS1000;PCB:2;REV:C;VERSIONS:ALL;HI;NO:928050		
3	1.0000	PC		A05-23307-06942	PCB ASSEMBLY;SPS1000;PCB:1;REV:C;HI;NO:927050		
4	1.0000	PC		A05-55400-10199	PCB ASSEMBLY;DPM5V1000;REV:C;HI;NO:929010		
5	1.0000	PC	Q05-56501-09914	A05-56501-09914	PCB ASSEMBLY;P0565;PCB:1;REV:F;HI;NO:517080		
6	1.0000	PC		A05-56506-10277	PCB ASSEMBLY;P0565 P0567;OUTPUT;REV:B;HI;NO:514120		
7	1.0000	PC		A05-23305-07976	PCB ASSEMBLY;SPS1000;PMH660M PMH880S PMH3000;VERSION:JP;PCB:2;REV:C;HI;NO:516120		(JP)
8	1.0000	PC		A05-23305-07974	PCB ASSEMBLY;SPS1000;PMH660M PMH880S PMH3000;VERSION:EU/UL;PCB:2;REV:C;HI;NO:516120		(EU, UK, SAA, AR)
9	1.0000	PC		A05-23305-01917	PCB ASSEMBLY;SPS1000;PMH660M PMH880S PMH3000;VERSION:UL1;PCB:2;REV:C;HI;NO:516120		(UL, BR)

## Cable

	Quantity	Unit	S.Sku	M.Sku	Description	Reference Designators	Notes
1	0.3720	M		A77-00010-00405	WIRE;RAW CABLE;UL1007;AWG22;RED		
2	1.2700	M		A77-00010-00601	WIRE;RAW CABLE;UL1007;AWG26;BK		
3	0.2540	M		A77-00010-00605	WIRE;RAW CABLE;UL1007;AWG26;RD		
4	1.8600	M		A77-00010-71401	RAW WIRE;JACKET:PVC;UL1007;CORES:1;300V;80 C;AWG:22;BLACK		
5	0.9000	M		A77-00010-71901	RAW WIRE;JACKET:PVC;UL1007;CORES:1;300V;80 C;AWG:16;BLACK		
6	0.9000	M		A77-00010-71905	RAW WIRE;JACKET:PVC;UL1007;CORES:1;300V;80 C;AWG:16;RED		
7	0.4650	M		A77-00010-71907	RAW WIRE;JACKET:PVC;UL1007;CORES:1;300V;80 C;AWG:16;BLUE		
8	0.2650	M		A77-00020-72201	RAW WIRE;HOOK-UP;JACKET:PVC;UL1015;CORES:1;600V;105 C;AWG:18;BLACK		
9	0.2650	M		A77-00020-72205	RAW WIRE;HOOK-UP;JACKET:PVC;UL1015;CORES:1;600V;105 C;AWG:18;RED		
10	0.2650	M		A77-00020-72207	RAW WIRE;HOOK-UP;JACKET:PVC;UL1015;CORES:1;600V;105 C;AWG:18;BLUE		
11	0.2350	M		A77-00020-72901	RAW WIRE;HOOK-UP;JACKET:PVC;UL1015;CORES:1;600V;105 C;AWG:16;BLACK		
12	0.2350	M		A77-00020-72905	RAW WIRE;HOOK-UP;JACKET:PVC;UL1015;CORES:1;600V;105 C;AWG:16;RED		
13	0.1950	M		A77-00020-72908	RAW WIRE;HOOK-UP;JACKET:PVC;UL1015;CORES:1;600V;105 C;AWG:16;GREEN/YELLOW		
14	1.3120	M		A77-00090-73602	RAW WIRE;SHIELDED;JACKET:PVC;UL1533;CORES:1;80 C;AWG:26;GREY;1C(WHITE)+SPIRAL SHIELD		
15	0.0000	PC		A77-18025-20908	CABLE;STRANDWIRE;LENGTH:180mm;AWG:16;UL1015;STRANDS:16;STRIP-TIN/LUG 4mm3;S/T LENGTH:5mm;COLOR:YEL/GRN		
16	1.0000	PC		A77-18025-92908	CABLE;STRANDWIRE;LENGTH:180mm;ZEE;AWG:16;UL1015;STRANDS:16;STRIP-TIN/LUG 4mm3;S/T LENGTH:5mm;COLOR:YEL/GRN		
17	0.0000	PC		A77-20025-13910	CABLE;STRANDWIRE;LENGTH:200mm;AWG:16;UL1015;STRIP/TIN:5mm;AMP CON 6mm3 ISO;COLOR:BLK/RED		
18	1.0000	PC		A77-20025-86910	CABLE;STRANDWIRE;LENGTH:200mm;ZEE;AWG:16;UL1015;STRIP/TIN:5mm;AMP CON 6mm3 ISO;COLOR:BLK/RED		

	Quantity	Unit	S.Sku	M.Sku	Description	Reference Designators	Notes
19	0.0000	PC		A77-39015-13910	CABLE;DOUBLE STRANDWIRE;LENGTH:390mm;AWG:16;UL1007;STRANDS:26;STRIP/TIN:5mm;AMP CON 6mm3 ISO;TWISTED;COLOR:BLK/RED		
20	1.0000	PC		A77-39015-86910	CABLE;DOUBLE STRANDWIRE;LENGTH:390mm;ZEE;AWG:16;UL1007;STRANDS:26;STRIP/TIN:5mm;AMP CON 6mm3 ISO;TWISTED;COLOR:BLK/RED		
21	0.0000	PC		A77-42015-62999	CABLE;STRANDWIRE;LENGTH:420mm;AWG:16;UL1007;STRANDS:26;POLES:3;HOUSING P3mm96 - STRIP/TIN 5mm;TWISTED;COLORS:RED/BLK/BLU		
22	0.0000	PC		A81-24030-66742	WIRE HARNESS;LENGTH:240mm;AWG:26;P:2mm;SHS;HOUSING-BOARD IN CONNECTOR;POLES:6;PIN1 RED/OTHERS BLK		
23	1.0000	PC		A81-24030-66842	WIRE HARNESS;LENGTH:240mm;AWG:26;P:2mm;SHS;ZEE;HOUSING-BOARD IN CONNECTOR;POLES:6;PIN1 RED/OTHERS BLK		
24	1.0000	PC		A81-42070-39823	WIRE HARNESS;LENGTH:420mm;ZEE;AWG:16;UL1007;STRANDS:26;POLES:3;HOUSING P3mm96 - STRIP/TIN 5mm;TWISTED;COLORS:RED/BLK/BLU		
25	1.0000	PC		A85-00700-06867	WIRE HARNESS;SPECIAL;PITCH:2mm;AWG22;HOUSING 10POLE+(FLAT 360mm+HOUSING 6POLE)+(2xSHIELDED WIRE 640mm+HOUSING 4POLE);6 POLE CONN PIN1 RED/OTHERS BLK;(CABLE-PMH3000-REVG.DWG)	[P0565:1: {1.0}(X48)]	
26	1.0000	PC		A85-00700-15155	WIRE HARNESS;SPECIAL;PITCH:2mm;ZEE;AWG22;HOUSING 10POLE+(FLAT 340mm+HOUSING 6POLE)+(2xSHIELDED WIRE 640mm+HOUSING 4POLE);6 POLE CONN PIN1 RED/OTHERS BLK;(CABLE-PMH3000-REVG.DWG)	[P0565:1: {1.0}(X48)]	
27	1.0000	PC		A87-03024-00823	CABLE ASSEMBLY;STRAND WIRE;AWG:16;UL1015;(LUG DIA4.3 + SHIELD WIRE 300MM) + 2(5MM STRIP-TIN + 300MM + AMP 6.3MM);COLOR:BROWN;AMPS:ALL INSULATED		
28	1.0000	PC		A88-23012-06082	CABLE;SPEAKER;LENGTH:230mm;+10/-0mm;ZEE;AWG:18;UL1007;3mm96 JST HOUSING-5mm STRIP/TIN;POLES:3;SPEC.NO:34089		
29	0.0000	PC		A88-23012-34089	CABLE;SPEAKER;LENGTH:230mm;+10/-0mm;AWG:18;UL1007;3mm96 JST HOUSING-5mm STRIP/TIN;POLES:3;SPEC.NO:34089		
30	1.0000	PC	Q76-15212-03119	A76-15212-03119	CABLE;AC-CORD;W/POLYBAG;LENGTH:152cm;H05VV-F 3G 0.75MM2;VERSION;EU;SPEC.NO:03119		(EU)



	Quantity	Unit	S.Sku	M.Sku	Description	Reference Designators	Notes
31	1.0000	PC		A76-15062-45714	CABLE;AC-CORD;W/POLYBAG;LENGTH:150cm;POLES:3;APPROVAL:CCC;HC103 + 227 IEC 53 (RVV) 3x0.75mm2 + HE109B		(CCC)
32	1.0000	PC	Q76-15042-05624	A76-15042-05624	CABLE;AC-CORD;W/POLYBAG;LENGTH:150cm;H05VV-F3G0.75MM2;VERSION;UK;SPEC.NO:05624		(UK)
33	1.0000	PC	Q76-15032-55649	A76-15032-55649	CABLE;AC-CORD;CLASS II;W/POLYBAG;JAPAN;LENGTH:150cm;POLES:3;APPROVAL:PSE;JS1553 + VCTF 3x0.75mm2 + V1528		(JP)
34	1.0000	PC	Q76-15222-06417	A76-15222-06417	CABLE;AC-CORD;W/POLYBAG;LENGTH:152cm;AWG:18;VERSION;UL;SPEC.NO:06417		(UL)
35	0.0000	PC		A76-18050-06505	CABLE;AC-CORD;LENGTH:180cm;VERSION:SAA;PLUG:HE105 ISOLATED;SAA H05VV-F 3x0.75mm2;CONN.HP-3;PANYU		(SAA)
36	1.0000	PC	Q76-00000-13573	A76-00000-13573	CABLE;AC-CORD;3;AR;1500 MM;Plug + Connector:321+730;H05VV-F 3G0.75		(AR)
37	1.0000	PC	Q76-18050-47490	A76-18050-47490	CABLE;AC-CORD;LENGTH:180cm;VERSION:SAA;PLUG:HE105 ISOLATED;SAA H05VV-F 3x0.75mm2;CONN.HP-3;SPEC.NO:47490		(SAA)
38	1.0000	PC	Q76-00000-05305	A76-00000-05305	CABLE;AC-CORD;3;BR;1500 MM;Plug + Connector:375+730;H05VV-F 3G0.75		(BR)

## Capacitor

	Quantity	Unit	S.Sku	M.Sku	Description	Reference Designators	Notes
1	9.0000	PC			CAP E;220uF;4V;PITCH:2mm5;5mm x 11mm;VERTICAL 12.7-15-9mm	[P0565:01: {9.0}(C159-C162,C165-C166,C195-C196,C246)]	*NOT available in DP
2	31.0000	PC			CAP E;100uF;6V;PITCH:2mm5;5mm x 11mm;VERTICAL 12.7-15-9mm	[P0565:01: {31.0}(C99-C100,C164,C185-C190,C197-C200,C202-C203,C205-C206,C208-C209,C211-C212,C214-C215,C217-C218,C220-C221,C223-C224,C226-C227)]	*NOT available in DP
3	1.0000	PC			CAP E;220uF;10V;PITCH:2mm5;6mm x 11mm;VERTICAL 12.7-15-9mm	[P0565:01: {1.0}(C182)]	*NOT available in DP
4	1.0000	PC			CAP E;47uF;16V;PITCH:2mm5;5mm x 7mm;VERTICAL 12.7-15-9mm	[DPM5V1000:00: {1.0}(C5)]	*NOT available in DP
5	1.0000	PC			CAP E;4uF7;25V;PITCH:2mm5;4mm x 7mm;VERTICAL 12.7-15-9mm	[DPM5V1000:00: {1.0}(C2)]	*NOT available in DP
6	2.0000	PC			CAP E;4uF7;25V;PITCH:2mm5;5mm x 11mm;VERTICAL 12.7-15-9mm	[P0565:01: {2.0}(C250-C251)]	*NOT available in DP
7	4.0000	PC			CAP E;10uF;25V;PITCH:2mm5;4mm x 7mm;VERTICAL 12.7-15-9mm	[DPM5V1000:00: {3.0}(C1,C3-C4)]	*NOT available in DP
8	34.0000	PC			CAP E;10uF;25V;PITCH:2mm5;5mm x 11mm;VERTICAL 12.7-15-9mm	[P0565:01: {34.0}(C18-C33,C43-C44,C63-C64,C66-C67,C69-C70,C153-C158,C163,C168-C169,C183)]	*NOT available in DP
9	2.0000	PC			CAP E;47uF;25V;PITCH:2mm5;5mm x 7mm;VERTICAL 12.7-15-9mm	[P0554:00: {2.0}(C6,C8)]	*NOT available in DP
10	65.0000	PC			CAP E;47uF;25V;PITCH:2mm5;5mm x 11mm;VERTICAL 12.7-15-9mm	[P0565:01: {65.0}(C45-C54,C71-C90,C191-C194,C229-C234,C236-C245,C247-C249,C252-C263)]	*NOT available in DP
11	1.0000	PC			CAP E;470uF;25V;PITCH:5mm;10mm x 16mm;VERTICAL 12.7-15-9mm	[P0565:01: {1.0}(C42)]	*NOT available in DP
12	21.0000	PC			CAP E;2uF2;50V;PITCH:2mm5;5mm x 11mm;VERTICAL 12.7-15-9mm	[P0565:01: {21.0}(C55-C62,C65,C68,C201,C204,C207,C210,C213,C216,C219,C222,C225,C228,C235)]	*NOT available in DP
13	1.0000	PC			CAP E;4uF7;50V;PITCH:2mm5;5mm x 11mm;VERTICAL 12.7-15-9mm	[P0565:01: {1.0}(C167)]	*NOT available in DP
14	16.0000	PC			CAP E;47uF;50V;PITCH:2mm5;6mm x 11mm;VERTICAL 12.7-15-9mm	[P0565:01: {16.0}(C2-C17)]	*NOT available in DP
15	1.0000	PC			CAP E;330uF;63V;PITCH:5mm; ;10 x 20mm;VERTICAL 12.7-15-9mm	[P0565:01: {1.0}(C1)]	*NOT available in DP
16	8.0000	PC			CAP E;1mF;6V;PITCH:3mm5;8mm x 14mm;PRECUT:3mm2 -0/+0mm2	[P0565:1: {8.0}(C34-C41)]	*NOT available in DP
17	1.0000	PC			CAP E;470uF;10V;PITCH:3mm5;8mm x 12mm;PRECUT:3mm2 -0/+0mm2	[P0565:1: {1.0}(C184)]	*NOT available in DP
18	1.0000	PC			CAP E;2uF2;25V;PITCH:2mm5;5mm x 11mm;PRECUT:3mm2 -0/+0mm2	[SPS1000:2: {1.0}(C2)]	*NOT available in DP

	Quantity	Unit	S.Sku	M.Sku	Description	Reference Designators	Notes
19	1.0000	PC			CAP E;4uF7;25V;PITCH:2mm5;5mm x 11mm;PRECUT:3mm2 -0/+0mm2	[SPS1000:2: {1.0}(C20)]	*NOT available in DP
20	8.0000	PC			CAP E;10uF;25V;PITCH:2mm5;5mm x 11mm;PRECUT:3mm2 -0/+0mm2	[SPS1000:2: {8.0}(C7-C8,C12,C30,C33,C36-C38)]	*NOT available in DP
21	1.0000	PC			CAP E;100uF;25V;PITCH:2mm5;6mm x 12mm;PRECUT:3mm2 -0/+0mm2	[SPS1000:2: {1.0}(C34)]	*NOT available in DP
22	1.0000	PC			CAP E;220uF;35V;PITCH:3mm5;8mm x 14mm;PRECUT:3mm2 -0/+0mm2	[SPS1000:2: {1.0}(C18)]	*NOT available in DP
23	5.0000	PC			CAP E;470uF;35V;PITCH:5mm;10mm x 20mm;PRECUT:3mm2 -0/+0mm2	[SPS1000:2: {5.0}(C22-C24,C26-C27)]	*NOT available in DP
24	1.0000	PC			CAP E;2uF2;50V;PITCH:2mm5;5mm x 11mm;PRECUT:3mm2 -0/+0mm2	[SPS1000:2: {1.0}(C19)]	*NOT available in DP
25	1.0000	PC			CAP E;10uF;63V;PITCH:2mm5;6mm x 11mm;PRECUT:3mm2 -0/+0mm2	[SPS1000:2: {1.0}(C35)]	*NOT available in DP
26	2.0000	PC			CAP E;47uF;63V;PITCH:2mm5;6mm x 11mm;PRECUT:3mm2 -0/+0mm2	[SPS1000:2: {2.0}(C28-C29)]	*NOT available in DP
27	1.0000	PC			CAP E;4uF7;100V;PITCH:2mm5;5mm x 11mm;PRECUT:3mm2 -0/+0mm2	[SPS1000:2: {1.0}(C32)]	*NOT available in DP
28	1.0000	PC			CAP E;220uF;100V;PITCH:5mm;13mm x 22mm;PRECUT:3mm2 -0/+0mm2	[SPS1000:2: {1.0}(C25)]	*NOT available in DP
29	4.0000	PC			CAP E;330uF;100V;PITCH:5mm;PRECUT:3mm2 -0/+0mm2;13 x 25mm	[HCA2400:04: {4.0}(C112-C115)]	*NOT available in DP
30	4.0000	PC			CAP E;4mF7;100V;PITCH:10mm;30mm x 50mm;SNAP-IN	[SPS1000:2: {4.0}(C11,C17,C21,C31)]	*NOT available in DP
31	14.0000	PC			CAP CER;470nF;25V;X7R;10%;SMT805	[HCA2400:04: {14.0}(C2,C5,C31-C33,C39-C40,C67-C68,C99-C100,C121,C131-C132)]	*NOT available in DP
32	2.0000	PC			CAP CER;4pF;50V;COG;+/-0pF25;SMD603	[HCA2400:04: {2.0}(C63,C69)]	*NOT available in DP
33	2.0000	PC			CAP CER;10pF;50V;10%;SMT603	[PMH3000:1: {2.0}(C298,C303)]	*NOT available in DP
34	32.0000	PC			CAP CER;20pF;50V;20%;SMT603	[PMH3000:1: {32.0}(C376-C381,C412-C415,C424-C427,C438-C439,C443-C444,C450-C453,C458-C459,C481-C488)]	*NOT available in DP
35	11.0000	PC			CAP CER;47pF;50V;5%;COG(NPO);SMT603	[PMH3000:1: {11.0}(C315,C436-C437,C447-C448,C454-C455,C489-C490,C533-C534)]	*NOT available in DP
36	34.0000	PC			CAP CER;100pF;50V;20%;SMT603	[PMH3000:1: {34.0}(C264-C266,C275-C278,C295-C297,C299-C302,C304-C305,C310,C348-C351,C462,C464,C466,C468,C470,C472,C474,C476-C480,C532)]	*NOT available in DP
37	4.0000	PC			CAP CER;180pF;50V;10%;SMT603	[HCA2400:04: {4.0}(C82-C85)]	*NOT available in DP
38	2.0000	PC			CAP CER;270pF;50V;10%;SMT603	[PMH3000:1: {2.0}(C308-C309)]	*NOT available in DP
39	24.0000	PC			CAP CER;330pF;50V;20%;SMT603	[PMH3000:1: {24.0}(C316-C331,C461,C463,C465,C467,C469,C471,C473,C475)]	*NOT available in DP
40	2.0000	PC			CAP CER;560pF;50V;10%;SMT603	[PMH3000:1: {2.0}(C547-C548)]	*NOT available in DP

	Quantity	Unit	S.Sku	M.Sku	Description	Reference Designators	Notes
41	24.0000	PC			CAP CER;680pF;50V;10%;SMT603	[PMH3000:1: {24.0}(C267-C274,C279-C294)]	*NOT available in DP
42	2.0000	PC			CAP CER;1nF;50V;10%;SMT603	[PMH3000:1: {2.0}(C434-C435)]	*NOT available in DP
43	2.0000	PC			CAP CER;2nF2;50V;10%;SMT603	[PMH3000:1: {2.0}(C525,C528)]	*NOT available in DP
44	12.0000	PC			CAP CER;3nF3;50V;10%;SMT603	[PMH3000:1: {12.0}(C390-C395,C404-C409)]	*NOT available in DP
45	8.0000	PC			CAP CER;4nF7;50V;10%;SMT603	[PMH3000:1: {8.0}(C520-C521,C526-C527,C537-C538,C545-C546)]	*NOT available in DP
46	1.0000	PC			CAP CER;5nF6;50V;10%;SMT603	[PMH3000:1: {1.0}(C531)]	*NOT available in DP
47	2.0000	PC			CAP CER;6nF8;50V;10%;SMT603	[PMH3000:1: {2.0}(C428-C429)]	*NOT available in DP
48	3.0000	PC			CAP CER;10nF;50V;10%;SMT603	[PMH3000:1: {3.0}(C442,C529-C530)]	*NOT available in DP
49	2.0000	PC			CAP CER;20pF;50V;10%;SMT805	[DPM5V1000:00: {2.0}(C16-C17)]	*NOT available in DP
50	6.0000	PC			CAP CER;47pF;50V;COG;5%;SMD805	[HCA2400:04: {6.0}(C16-C17,C35,C38,C59-C60)]	*NOT available in DP
51	1.0000	PC			CAP CER;100pF;50V;10%;SMT805	[HCA2400:04: {1.0}(C120)]	*NOT available in DP
52	4.0000	PC			CAP CER;100pF;50V;COG;5%;SMT805	[HCA2400:04: {4.0}(C15,C18,C98,C101)]	*NOT available in DP
53	1.0000	PC			CAP CER;120pF;50V;COG;5%;SMD805	[HCA2400:04: {1.0}(C42)]	*NOT available in DP
54	1.0000	PC			CAP CER;220pF;50V;10%;SMT805	[SPS1000:2: {1.0}(C48)]	*NOT available in DP
55	2.0000	PC			CAP CER;330pF;50V;X7R;10%;SMD805	[HCA2400:04: {2.0}(C58,C61)]	*NOT available in DP
56	2.0000	PC			CAP CER;470pF;50V;X7R;10%;SMD805	[HCA2400:04: {2.0}(C9-C10)]	*NOT available in DP
57	2.0000	PC			CAP CER;1nF;50V;10%;SMT805	[PMH3000:1: {2.0}(C311,C314)]	*NOT available in DP
58	7.0000	PC			CAP CER;1nF;50V;X7R;10%;SMD805	[HCA2400:04: {7.0}(C23-C24,C77-C78,C80-C81,C122)]	*NOT available in DP
59	1.0000	PC			CAP CER;1nF;50V;COG;5%;SMD805	[SPS1000:2: {1.0}(C45)]	*NOT available in DP
60	2.0000	PC			CAP CER;1nF5;50V;10%;SMT805	[PMH3000:1: {2.0}(C312-C313)]	*NOT available in DP
61	2.0000	PC			CAP CER;1nF8;50V;X7R;10%;SMD805	[HCA2400:04: {2.0}(C50,C52)]	*NOT available in DP
62	1.0000	PC			CAP CER;2nF2;50V;10%;SMT805	[DPM5V1000:00: {1.0}(C11)]	*NOT available in DP
63	2.0000	PC			CAP CER;2nF2;50V;COG;5%;SMD805	[HCA2400:04: {2.0}(C34,C51)]	*NOT available in DP
64	3.0000	PC			CAP CER;10nF;50V;10%;SMT805	[SPS1000:2: {3.0}(C43,C56,C62)]	*NOT available in DP
65	5.0000	PC			CAP CER;10nF;50V;X7R;10%;SMD805	[HCA2400:04: {5.0}(C1,C3-C4,C6,C123)]	*NOT available in DP
66	2.0000	PC			CAP CER;15nF;50V;10%;SMT805	[PMH3000:1: {2.0}(C431,C433)]	*NOT available in DP
67	8.0000	PC			CAP CER;33nF;50V;10%;SMT805	[PMH3000:1: {8.0}(C386-C389,C400-C403)]	*NOT available in DP
68	1.0000	PC			CAP CER;68nF;50V;10%;SMT805;X7R	[PMH3000:1: {1.0}(C515)]	*NOT available in DP
69	80.0000	PC			CAP CER;100nF;50V;+80/-20%;SMT805	[DPM5V1000:00: {10.0}(C9-C10,C12-C15,C18-C21)]	*NOT available in DP
70	47.0000	PC			CAP CER;100nF;50V;X7R;10%;SMT805	[PMH3000:1: {31.0}(C352-C375,C522-C524,C535-C536,C539-C540)]	*NOT available in DP
71	8.0000	PC			CAP CER;330nF;50V;10%;SMT805	[PMH3000:1: {8.0}(C382-C385,C396-C399)]	*NOT available in DP
72	4.0000	PC			CAP CER;47pF;100V;10%;SMT805;COG MATERIAL (NPO)	[HCA2400:04: {4.0}(C41,C43,C57,C62)]	*NOT available in DP

	Quantity	Unit	S.Sku	M.Sku	Description	Reference Designators	Notes
73	2.0000	PC			CAP CER;100pF;100V;X7R;10%;SMD805	[HCA2400:04: {2.0}(C116-C117)]	*NOT available in DP
74	6.0000	PC			CAP CER;10nF;100V;X7R;10%;SMD1206	[PMH:06: {6.0}(C1-C6)]	*NOT available in DP
75	4.0000	PC			CAP CER;100nF;100V;X7R;10%;SMD1206	[HCA2400:04: {4.0}(C19-C22)]	*NOT available in DP
76	2.0000	PC			CAP CER;220nF;100V;X7R;10%;SMT1210	[HCA2400:04: {2.0}(C65,C70)]	*NOT available in DP
77	4.0000	PC			CAP CER;1uF;100V;X7R;10%;SMD1812	[HCA2400:04: {4.0}(C102-C105)]	*NOT available in DP
78	24.0000	PC			CAP MYL;33nF;50V;10%;PITCH:5mm;DIPPED;VERTICAL 12.7-15-9mm	[P0565:01: {24.0}(C133-C152,C170-C173)]	*NOT available in DP
79	24.0000	PC			CAP MYL;12nF;100V;10%;PITCH:4mm;DIPPED;PRECUT:3 mm1 +/-0mm5	[P0565:1: {24.0}(C117-C132,C174-C181)]	*NOT available in DP
80	24.0000	PC			CAP MYL;18nF;100V;10%;PITCH:4mm5;DIPPED;PRECUT: 3mm1 +/-0mm5	[P0565:1: {24.0}(C91-C98,C101-C116)]	*NOT available in DP
81	2.0000	PC			CAP FILM;100nF;63V;MPF;10%;PITCH:5mm;BOX;PRECUT: 3mm1 +/-0mm5	[SPS1000:2: {2.0}(C9-C10)]	*NOT available in DP
82	1.0000	PC			CAP FILM;220nF;63V;MPF;10%;PITCH:5mm;BOX;PRECUT: 3mm1 +/-0mm5	[SPS1000:2: {1.0}(C1)]	*NOT available in DP
83	4.0000	PC			CAP FILM;100nF;100V;MPF;10%;PITCH:5mm;BOX;PRECU T:3mm1 +/-0mm5	[HCA2400:04: {4.0}(C54-C55,C73-C74)]	*NOT available in DP
84	6.0000	PC			CAP FILM;220nF;100V;MPF;10%;PITCH:5mm;BOX;PRECU T:3mm1 +/-0mm5	[HCA2400:04: {6.0}(C53,C56,C86-C87,C89,C97)]	*NOT available in DP
85	2.0000	PC			CAP E;BIPOLAR;2uF2;50V;PITCH:2mm5;5mm x 11mm;PRECUT:3mm2 -0/+0mm2	[56506: {2.0}(C7-C8)]	*NOT available in DP
86	1.0000	PC			CAP E;4uF7;450V;PITCH:5mm;10mm x 18mm;PRECUT:3mm2 -0/+0mm2;105C	[SPS1000:2: {1.0}(C16)]	*NOT available in DP
87	2.0000	PC		B12-33100-51984	CAP X2;1uF;275VDC;10%;PITCH:27mm5	[SPS1000:1: {2.0}(C1,C4)]	
88	4.0000	PC			CAP CER;4nF7;200V;X7R;10%;SMT805	[HCA2400:04: {4.0}(C48-C49,C110-C111)]	*NOT available in DP
89	18.0000	PC			CAP CER;10nF;200V;X7R;10%;SMT1206	[HCA2400:04: {14.0}(C25-C26,C44-C47,C106-C109,C124-C127)]	*NOT available in DP
90	2.0000	PC			CAP FILM;470nF;250V;SMD PAD:9mm8 x 8mm	[HCA2400:04: {2.0}(C7-C8)]	*NOT available in DP
91	1.0000	PC			CAP E;1uF;400VDC;MKP;10%;PITCH:22mm5;CASE:11 x 26.5mm;- 45/+105;PN:B32653A4105K;PRECUT:3mm1 +/- 0mm5	[SPS1000:2: {1.0}(C15)]	*NOT available in DP
92	0.0000	PC			CAP FILM;MKP;400VDC;MKP;5%;PITCH:22mm5;CASE:11 x 26.5mm;- 45/+105;ARCOTRONICS;PN:R75MN4100JE3EJ		*NOT available in DP
93	2.0000	PC			CAP E;BIPOLAR;10uF;16V;20%;SMD;DIAMETER:5mm	[HCA2400:04: {2.0}(C64,C72)]	*NOT available in DP

	Quantity	Unit	S.Sku	M.Sku	Description	Reference Designators	Notes
94	1.0000	PC			CAP E;4uF7;25V;20%;SMD;DIAMETER:4mm	[HCA2400:04: {1.0}{C66}]	*NOT available in DP
95	2.0000	PC			CAP E;10uF;25V;20%;SMD;DIAMETER:5mm	[HCA2400:04: {2.0}{C88,C95}]	*NOT available in DP
96	4.0000	PC			CAP E;22uF;25V;20%;SMD;DIAMETER:5mm	[HCA2400:04: {4.0}{C71,C75-C76,C79}]	*NOT available in DP
97	2.0000	PC			CAP FILM;MKP;160VDC;MKP;10%;PITCH:15mm;CASE:6 x 18mm;-45/+105	[HCA2400:04: {2.0}{C90,C96}]	*NOT available in DP
98	2.0000	PC			CAP E;2mF2;200V;PITCH:10mm;35mm x 50mm;SNAP-IN	[SPS1000:2: {2.0}{C5,C13}]	*NOT available in DP
99	4.0000	PC			CAP E;2mF2;200V;PITCH:10mm;35mm x 50mm;SNAP-IN	[SPS1000:2: {2.0}{C6,C14}]	*NOT available in DP
100	5.0000	PC	R09-33100-40322	B09-33100-40322	CAP Y2;1nF;250V;PITCH:7mm5	[SPS1000:2: {2.0}{C3-C4}]	(EU, UL, JP, UK, SAA, CCC, BR, AR)
101	5.0000	PC	R09-33100-40322	B09-33100-40322	CAP Y2;1nF;250V;PITCH:7mm5	[SPS1000:1: {3.0}{C5-C7}]	

### Circuit Protector

	Quantity	Unit	S.Sku	M.Sku	Description	Reference Designators	Notes
1	6.0000	PC	R21-15201-52000	B21-15201-52000	FUSE CLIP;2 A;V;ZINC PLATING;250V;SERIES;520;FUSE;250 V;PLATING		
2	1.0000	PC	R22-01513-10001	B22-01513-10001	FUSE;1A0;250V;SLOW BLOW;H-TYPE;5mm x 20mm	[SPS1000:2: {1.0}{F1}]	
3	2.0000	PC	R22-01513-16001	B22-01513-16001	FUSE;1A6;250V;SLOW BLOW;H-TYPE;5mm x 20mm	[SPS1000:2: {2.0}{F2-F3}]	
4	1.0000	PC	R22-01514-10001	B22-01514-10001	FUSE;10A;250V;SLOW BLOW;H-TYPE;5mm x 20mm		(UL, JP, BR)
5	1.0000	PC	R22-01516-30001	B22-01516-30001	FUSE;6A3;250V;SLOW BLOW;H-TYPE;5mm x 20mm		(EU, UK, SAA, CCC, AR)

## Coil

	Quantity	Unit	S.Sku	M.Sku	Description	Reference Designators	Notes
1	2.0000	PC	R30-00000-53232	B30-00000-53232	COIL;AIR;0uH46;10%;SIZE:15.5 x 7mm;PITCH:7;TURNS:16.5;LAYERS:1;WIRE DIA.:0mm8	[HCA2400:04: {2.0}(L1-L2)]	
2	2.0000	PC	R30-00000-53233	B30-00000-53233	COIL;AIR;0uH46;10%;SIZE:18 x 8.5mm;PITCH:8;TURNS:15.5;LAYERS:1;WIRE DIA.:1mm	[HCA2400:04: {2.0}(L5-L6)]	
3	1.0000	PC	R37-35000-00562	B37-35000-00562	COIL;5mH;5A;DC RESISTANCE:40mohm;FOOTPRINT:18mm x 16mm;CM;TYPE:TERMINAL BASE;250VAC/VDC;WIRE DIA:0mm8	[SPS1000:1: {1.0}(L2)]	
4	1.0000	PC		B37-41000-00561	COIL;10mH;5A;DC RESISTANCE:70mohm;FOOTPRINT:18mm x 16mm;CM;TYPE:TERMINAL BASE;250VAC/VDC;WIRE DIA:0mm8;(CLICK LC25-113)	[SPS1000:1: {1.0}(L1)]	
5	3.0000	PC	R39-00000-03394	B39-00000-03394	COIL;SMD;BEAD;SMD0805;(BLM21BD751SN1D)	[DPM5V1000:00: {3.0}(L1-L3)]	
6	2.0000	PC	R39-68003-00702	B39-68003-00702	COIL;SMD BEAD;(STEWART CM3322X630R-00)	[PMH:06: {2.0}(L1-L2)]	
7	2.0000	PC	R40-12000-09844	B40-12000-09844	COIL;TOROID;20uH;T130-2	[HCA2400:04: {2.0}(L3-L4)]	
8	1.0000	PC		B42-32500-00782	COIL;2mH5;DC RESISTANCE:0ohm1;PFC;EI-54;CURRENT:10A;CLICK DB5401-008		

## Connector

	Quantity	Unit	S.Sku	M.Sku	Description	Reference Designators	Notes
1	2.0000	PC		B80-03440-44694	CONNECTOR;SPEAKON;MALE;STRAIGHT;POLES:4;ST YLE:NL4MDV;(LIH-SHENG LTX1700-4)		
2	2.0000	PC	R80-03440-44694	B80-14440-01101	CONNECTOR;SPEAKON;MALE;STRAIGHT;POLES:4;ST YLE:NL4MDV;(CHUN-SHENG HP-01-EP)	[: {2.0}(X1-X2)]	
3	6.0000	PC		B84-25006-06016	CRIMP TERMINAL;PITCH:3mm96;AWG24-26;A3961T1B-2C		
4	4.0000	PC		B84-30060-06009	JACKET;FOR 6mm35 AMP CONNECTOR;PVC;STRAIGHT;DIAMETER:4mm		
5	4.0000	PC		B84-32050-05839	CRIMP CONNECTOR;AMP;RECEPTABLE;6mm3 x 7mm5;AWG 14-18;WIRE MOUNT;STRAIGHT;250 SERIES		
6	4.0000	PC		B84-39000-26095	CONNECTOR;AMP;PCB;PCB MOUNTANGLED;PITCH:5mm;WIDTH:6mm3	[56506: {4.0}(X3-X6)]	
7	1.0000	PC		B84-42050-00155	CRIMP CONNECTOR;LUG;INNER DIA:4mm3;AWG 14-18;WIRE MOUNT;STRAIGHT		
8	1.0000	PC		B93-60007-42292	CONNECTOR;BARE JUMPER;WIRE DIAMETER:0mm7;LENGTH:15mm	[SPS1000:2: {1.0}(C39)]	
9	1.0000	PC		B93-61807-43532	CONNECTOR;BARE JUMPER;WIRE DIAMETER:0mm7;LENGTH:18mm	[SPS1000:2: {1.0}(R15)]	
10	8.0000	PC	R95-01340-03300	B95-01340-03300	CONNECTOR;XLR;SOCKET;FEMALE;STRAIGHT;POLES :3	[P0565:1: {8.0}(X6-X13)]	
11	4.0000	PC	R84-39000-03120	B84-39000-03120	CONNECTOR;AMP;PCB;PCB MOUNT;PITCH:5mm;WIDTH:6mm3	[SPS1000:1: {2.0}(X1-X2)]	(EU, UL, JP, UK, SAA, CCC, BR, AR)
12	4.0000	PC	R84-39000-03120	B84-39000-03120	CONNECTOR;AMP;PCB;PCB MOUNT;PITCH:5mm;WIDTH:6mm3	[SPS1000:2: {2.0}(X1-X2)]	
13	1.0000	PC		B93-60010-01006	CONNECTOR;BARE JUMPER;WIRE DIAMETER:1mm;LENGTH:18mm		(UL, JP, BR)



**Diode**

	Quantity	Unit	S.Sku	M.Sku	Description	Reference Designators	Notes
1	8.0000	PC			DIODE;EP05Q04;SOD123	[HCA2400:04: {8.0}(D1,D4,D8-D9,D11-D12,D14,D16)]	*NOT available in DP
2	7.0000	PC			DIODE;1N4007;DO41	[SPS1000:2: {7.0}(D7,D10,D17-D21)]	*NOT available in DP
3	16.0000	PC			DIODE;BAV103;SOD80;TEMIC	[PMH3000:1: {16.0}(D1-D16)]	*NOT available in DP
4	28.0000	PC			DIODE;LL4148;LL34;TEMIC OR FC	[DPM5V1000:00: {4.0}(D1-D4)]	*NOT available in DP
5	1.0000	PC			DIODE;ZMM08V2;SMD1206;SMD	[SPS1000:2: {1.0}(D29)]	*NOT available in DP
6	1.0000	PC			DIODE;ZMM09V1;SMD1206	[SPS1000:2: {1.0}(D26)]	*NOT available in DP
7	1.0000	PC			DIODE;ZMM15V0;SMD1206	[SPS1000:2: {1.0}(D27)]	*NOT available in DP
8	4.0000	PC			DIODE;ZMM18V0;SMD1206	[HCA2400:04: {4.0}(D7,D10,D13,D15)]	*NOT available in DP
9	1.0000	PC			DIODE;ZMM47V0;SMD1206	[SPS1000:2: {1.0}(D30)]	*NOT available in DP
10	1.0000	PC			DIODE;FMU-36S;600V;20A;FAST RECOVERY;CENTER-TAP;COM K;SANKEN	[SPS1000:2: {1.0}(D6)]	*NOT available in DP
11	1.0000	PC			DIODE;FMU-36R;600V;20A;FAST RECOVERY;CENTER-TAP;COM A;SANKEN	[SPS1000:2: {1.0}(D9)]	*NOT available in DP
12	2.0000	PC			DIODE;D5LD20U;TO220	[HCA2400:04: {2.0}(D19-D20)]	*NOT available in DP
13	1.0000	PC			DIODE;1NL40;400V;0A9;FAST RECOVERY;AX057;SHINDENGEN	[SPS1000:2: {1.0}(D1)]	*NOT available in DP
14	0.0000	PC			DIODE;D2L20U;200V;1.5A;FAST RECOVERY;AX078;SHINDENGEN		*NOT available in DP
15	1.0000	PC	X80-38552-56090	H80-38552-56090	BRIDGE RECTIFIER;RS-4;BRIDGE;D25XB60;600V;25A;SIL;SHINDENGEN;600 V;25 A	[SPS1000:2: {1.0}(D5)]	
16	10.0000	PC			DIODE;1NL20U;200V;1A;FAST RECOVERY;AX057;SHINDENGEN		*NOT available in DP
17	0.0000	PC			DIODE;D2L20U;200V;1.5A;FAST RECOVERY;AX078;SHINDENGEN		*NOT available in DP
18	10.0000	PC			DIODE;1NL20U;200V;1A;FAST RECOVERY;AX057;SHINDENGEN	[SPS1000:2: {4.0}(D13-D16)]	*NOT available in DP
19	10.0000	PC			DIODE;1NL20U;200V;1A;FAST RECOVERY;AX057;SHINDENGEN	[SPS1000:2: {4.0}(D13-D16)]	*NOT available in DP

**Display**

	Quantity	Unit	S.Sku	M.Sku	Description	Reference Designators	Notes
1	1.0000	PC	S28-00000-32332	C28-00000-32332	DISPLAY;LED;Pattern:8.8.;0.4 IN;AMBER;COMMON ANODE;SIZE:20.1X16	[P0565:1: {1.0}(LD42)]	

## Hardware

	Quantity	Unit	S.Sku	M.Sku	Description	Reference Designators	Notes
1	3.0000	PC			CABLE TIE;NYLON;4in;COLOR:		*NOT available in DP
2	3.4320	G			THERM-GREASE;COLOR:WHT;SPEC.NO:09286		*NOT available in DP
3	2.6140	G			SCREWLOCK;SPEC.NO:01090		*NOT available in DP
4	2.0000	PC			HEX.NUT;INNER DIA;M3mm;SURFACE:ZINC		*NOT available in DP
5	1.0000	PC			HEX. NUT;INNER DIA;M4mm;SURFACE:ZINC		*NOT available in DP
6	35.0000	PC			HEX. NUT;FOR JACK;M 3/8in;HEXWRENCH:11mm;THICKNESS:2mm;SURFACE:NICKEL/SLV		*NOT available in DP
7	1.0000	PC			HEX. NUT;FOR JACK;M 3/8in;HEXWRENCH:11mm;THICKNESS:2mm4;SURFACE:NICKEL/SILVER		*NOT available in DP
8	4.0000	PC			SCREW;M3mm*4mm;HEAD:PAN;INSERT:PHILIPS REC.;SURFACE:BLACK/ZINC		*NOT available in DP
9	19.0000	PC			SCREW;M3mm*5mm;HEAD:PAN;INSERT:PHILIPS REC.;SURFACE:BLACK/ZINC		*NOT available in DP
10	3.0000	PC			SCREW;M3mm*6mm;HEAD:PAN;INSERT:PHILIPS REC.;SURFACE:SILVER/ZINC		*NOT available in DP
11	18.0000	PC			SCREW;M3mm*6mm;HEAD:PAN;INSERT:PHILLIPS REC.;SURFACE:BLACK/ZINC		*NOT available in DP
12	15.0000	PC			SCREW;M3mm*6mm;HEAD:TRUSS;INSERT:PHILIPS REC.;SURFACE:BLACK/ZINC		*NOT available in DP
13	18.0000	PC			SCREW;M3mm*6mm;HEAD:TRUSS DIA 5mm2;INSERT:PHILIPS REC.;SURFACE:BLACK/ZINC		*NOT available in DP
14	4.0000	PC			SCREW;M3mm*7mm;HEAD:PAN;INSERT:PHILIPS REC.;SURFACE:BLACK/ZINC		*NOT available in DP
15	4.0000	PC			SCREW;M3mm*8mm;HEAD:BINDING;INSERT:PHILLIPS REC.;SURFACE:BLACK/ZINC		*NOT available in DP
16	18.0000	PC			SCREW;BT3mm*8mm;HEAD:PAN;INSERT:PHILLIPS REC.;SURFACE:BLACK/ZINC		*NOT available in DP
17	15.0000	PC			SCREW;M3mm*8mm;HEAD:PAN;INSERT:PHILLIPS REC.;SURFACE:BLACK/ZINC		*NOT available in DP
18	2.0000	PC			SCREW;M3mm*8mm;HEAD:TRUSS;DIA 5mm2;INSERT:PHILIPS REC.;SURFACE:BLACK/ZINC		*NOT available in DP
19	4.0000	PC			SCREW;M3mm*10mm;HEAD:BINDING;INSERT:PHILIPS REC.;SURFACE:BLACK/ZINC		*NOT available in DP
20	2.0000	PC			SCREW;M3mm*10mm;HEAD:PAN;INSERT:PHILIPS REC.;SURFACE:BLACK/ZINC		*NOT available in DP
21	2.0000	PC			SCREW;M3mm*12mm;HEAD:BINDING;INSERT:PHILIPS REC.;SURFACE:BLACK/ZINC		*NOT available in DP
22	3.0000	PC			SCREW;M4mm*6mm;HEAD:PAN;INSERT:PHILIPS REC.;SURFACE:BLACK/ZINC		*NOT available in DP

	Quantity	Unit	S.Sku	M.Sku	Description	Reference Designators	Notes
23	8.0000	PC			SCREW;M4mm*10mm;HEAD:BINDING;INSERT:PHILI PS REC.;SURFACE:BLACK/ZINC		*NOT available in DP
24	4.0000	PC			SCREW;M4mm*12mm;HEAD:BINDING;INSERT:PHILI PS REC.;SURFACE:BLACK/ZINC		*NOT available in DP
25	1.0000	PC			SCREW;M4mm*16mm;HEAD:BINDING;INSERT:PHILI PS REC.;SURFACE:SILVER/ZINC		*NOT available in DP
26	4.0000	PC			SCREW;M4mm*32mm;HEAD:PAN;INSERT:PHILIPS REC.;SURFACE:BLACK/ZINC		*NOT available in DP
27	4.0000	PC		F89-07019-00144	INSULATION SHEET;TO220 W/HOLE;ALUMINIUM OXIDE CERAMIC INSULATOR;THICKNESS:2mm03;HOLE DIAMETER:3mm68;(LANXIN)		
28	2.0000	PC		F89-32023-00194	INSULATION SHEET;TO247 W/HOLE;ALUMINIUM OXIDE CERAMIC INSULATOR;THICKNESS:2mm03;HOLE DIAMETER:3mm96;(LANXIN)		
29	1.0000	PC			SHIELDING;PMH- SERIES;DST.NO:002;DPT.NO:06541;(I00064P- SHIELDING-REVB.DWG)		*NOT available in DP
30	1.0000	PC			SHIELDING BAFFLE;PMH- SERIES;DST.NO:002;DPT.NO:06572;(P0380- WOODBOX REAR COVER-REVB.DWG)		*NOT available in DP
31	1.0000	PC			SHIELDING FOIL 2;SPSU;DDX3216;DST.NO:002;DPT.NO:14163;(R14- DDX3200-SPSU-FILM2-REVB)		*NOT available in DP
32	1.0000	PC			METAL;SHIELD;FAN80mm*80mm;DST.NO:003;DPT. NO:13803;(I00149P-FAN_SHIELDING-REVC.DWG)		*NOT available in DP
33	1.0000	PC			SHIELDING;HCA2400;DST.NO:004;DPT.NO:07283;(I0 0059P-SHIELDING-REVD.DWG)		*NOT available in DP
34	1.0000	PC			SHIELDING COVER;HCA2400;DST.NO:004;DPT.NO:07329;(I0006 0P-COVER-REVD.DWG)		*NOT available in DP
35	1.0000	PC			SILICA GEL;MASS;30g;SPEC.NO:30QB-BB2001-4		*NOT available in DP
36	2.0000	PC			STUD;THREAD-DIA;3mm;LENGTH:6mm;INT/INT		*NOT available in DP
37	1.0000	PC			STUD;THREAD- DIA;3mm;LENGTH:10mm5;EXT/INT;EXT;5mm		*NOT available in DP
38	1.0000	PC			STUD;THREAD-DIA;3mm;LENGTH:10mm5;INT/INT		*NOT available in DP
39	18.0000	PC			STUD;THREAD-DIA;3mm;LENGTH:13mm8;INT/INT		*NOT available in DP
40	2.0000	PC			STUD;THREAD- DIA;3mm;LENGTH:22mm;EXT/INT;EXT:5mm;		*NOT available in DP
41	1.0000	PC			STUD;THREAD-DIA;3mm;LENGTH:24mm2;INT/INT		*NOT available in DP
42	4.0000	PC			STUD;THREAD-DIA;3mm;LENGTH:34mm3;INT/INT		*NOT available in DP
43	0.2280	M			SHRINKING TUBE;INNER DIA;1mm;SPEC.NO:43217		*NOT available in DP
44	48.0000	MM			SHRINKING TUBE;INNER DIA;2MM;SPEC NO:15747		*NOT available in DP

	Quantity	Unit	S.Sku	M.Sku	Description	Reference Designators	Notes
45	8.0000	PC			WASHER;PLAIN;INNER DIA:3mm;OUTER DIA:6mm;THICKNESS;0mm5		*NOT available in DP
46	36.0000	PC			WASHER;PLAIN;INNER DIA:9mm6;OUTER DIA:13mm;THICKNESS;0mm5;PLATING:NICKEL		*NOT available in DP
47	4.0000	PC			WASHER;SPRING;INNER DIA:3mm;OUTER DIA:7mm;THICKNESS;1mm7		*NOT available in DP
48	4.0000	PC			WASHER;EXTERNAL TEETH;INNER DIA:3mm;OUTER DIA:6mm;THICKNESS:0mm5		*NOT available in DP
49	10.0000	PC			WASHER;EXTERNAL TEETH;INNER DIA:3mm;OUTER DIA:6mm;THICKNESS:1mm		*NOT available in DP
50	2.0000	PC			WASHER;EXTERNAL TEETH;INNER DIA:4mm;OUTER DIA:7mm;THICKNESS;1mm7		*NOT available in DP
51	2.0000	PC		F97-00100-02159	CARTON SHEET;PMX3000;BOTTOM;DST.NO:001;DPT.NO:02159;(PMX3000-CTNSHEET-BOTTOM-REVA.DWG)		
52	1.0000	PC		F97-00100-02160	CARTON SHEET;PMX3000;FRONT;DST.NO:001;DPT.NO:02160;(PMX3000-CTNSHEET-FRONT-REVA.DWG)		
53	2.0000	PC		F97-00100-02161	CARTON SHEET;PMX3000;SIDE;DST.NO:001;DPT.NO:02161;(PMX3000-CTNSHEET-SIDE-REVA.DWG)		
54	1.0000	PC		F97-00100-02162	CARTON SHEET;PMX3000;TOP;DST.NO:001;DPT.NO:02162;(PMX3000-CTNSHEET-TOP-REVA.DWG)		
55	1.0000	PC		F97-00100-06542	FILM;PROTECTIVE;SPS1000;DST.NO:001;DPT.NO:06542;(I00150P-PROTECTIVE_FOIL-01-REVA.DWG)		
56	1.0000	PC		F97-00100-08689	CARTON SHEET;P0565;BACK;DST.NO:001;DPT.NO:08689;(P0565-CTNSHEET-BACK-REVA.DWG)		
57	2.0000	PC		F97-32000-26356	SHEET 2;SLIDE-SWITCH;PVC;BLACK;DWG.NO:26356;(PVC SHEET2-REVA.DWG)		
58	6.0000	PC			BUSHING;MINIATURE;NYLON;DWG.NO:27886;(R20-SC-PLA_NYLBUSHM3x1_4.DWG)		*NOT available in DP
59	4.0000	PC			SCREW; M3mm*10mm; PITCH:0mm5; SURFACE:BLACK/ZINC; DWG.NO:06302; (R14-DX100-SCREW-REVA.DWG)		*NOT available in DP
60	6.0000	PC			SCREW;A4mm*10mm;HEAD:PAN;INSERT:PHILIPS REC.;SURFACE:BLACK/ZINC		*NOT available in DP
61	5.0000	PC			WASHER;PLAIN;INNER DIA:3mm;OUTER DIA:8mm;THICKNESS;1mm;PLATING:NICKEL		*NOT available in DP
62	2.0000	PC			SCREW;M3mm*12mm;HEAD:PAN;INSERT:PHILIPS REC.;SURFACE:BLACK/ZINC		*NOT available in DP
63	2.0000	PC			SCREW;M3mm*12mm;HEAD:PAN;INSERT:PHILIPS REC.;SURFACE:BLACK/ZINC		*NOT available in DP

	Quantity	Unit	S.Sku	M.Sku	Description	Reference Designators	Notes
64	2.0000	PC		F89-43000-00002	INSULATION SHEET;GLIMMER;TO220 W/HOLE;HOLE-DIAMETER:3MM1 (IN-GLTO220_3MM1-REVA.DWG)		(EU, UL, JP, UK, SAA, CCC, BR, AR)
65	2.0000	PC			SCREW;M3mm*12mm;HEAD:PAN;INSERT:PHILIPS REC.;SURFACE:BLACK/ZINC		*NOT available in DP
66	4.0000	PC			SCREW;M3mm*14mm;HEAD:PAN;INSERT:PHILIPS REC.;SURFACE:BLACK/ZINC		*NOT available in DP
67	4.0000	PC			SCREW;M3mm*14mm;HEAD:PAN;INSERT:PHILIPS REC.;SURFACE:BLACK/ZINC		*NOT available in DP
68	2.0000	PC		F89-43000-00002	INSULATION SHEET;GLIMMER;TO220 W/HOLE;HOLE-DIAMETER:3MM1 (IN-GLTO220_3MM1-REVA.DWG)		
69	2.0000	PC		F89-43000-00002	INSULATION SHEET;GLIMMER;TO220 W/HOLE;HOLE-DIAMETER:3MM1 (IN-GLTO220_3MM1-REVA.DWG)		
70	5.0000	PC			WASHER;PLAIN;INNER DIA:3mm;OUTER DIA:8mm;THICKNESS;1mm;PLATING;NICKEL		*NOT available in DP
71	4.0000	PC			SCREW;M3mm*14mm;HEAD:PAN;INSERT:PHILIPS REC.;SURFACE:BLACK/ZINC		*NOT available in DP
72	5.0000	PC			WASHER;PLAIN;INNER DIA:3mm;OUTER DIA:8mm;THICKNESS;1mm;PLATING;NICKEL		*NOT available in DP

Ic

	Quantity	Unit	S.Sku	M.Sku	Description	Reference Designators	Notes
1	1.0000	PC	S60-54422-00528	C60-22422-00528	IC;AD/DA;V4220M;SSOP	[DPM5V1000:00: {1.0}(IC2)]	
2	1.0000	PC		C60-54422-00528	IC;AD/DA;CS4220;SOP		
3	2.0000	PC	S71-05040-40508	C71-05040-40508	IC;DRIVER;IXDD404SI;SOP	[HCA2400:04: {2.0}(IC1-IC2)]	
4	1.0000	PC	S71-75215-30108	C71-75215-30108	IC;DRIVER;IR2153;DIP;IR	[SPS1000:2: {1.0}(IC1)]	
5	39.0000	PC		C73-00000-29050	IC;OPAMP;SMD;SOP;8;BA4580RF	[DPM5V1000:00: {1.0}(IC4)]	
6	1.0000	PC	S73-22370-00516	C73-22370-00516	IC;OPAMP OPAMP;V13700M;SOP	[HCA2400:04: {1.0}(IC7)]	
7	11.0000	PC	S73-58007-40514	C73-31007-40514	IC;OPAMP OPAMP;TL074;SOP;BRAND:ST ONLY	[PMH3000:1: {11.0}(IC2,IC19-IC22,IC26-IC27,IC36,IC53-IC55)]	
8	1.0000	PC		C73-59458-00408	IC;OPAMP OPAMP;NJM4580L;SIP	[P0565:1: {1.0}(IC1)]	
9	1.0000	PC	S73-59458-00508	C73-59458-00508	IC;OPAMP OPAMP;NJM4580;SOP		
10	1.0000	PC	S74-41022-10108	C74-41022-10108	IC;POWER-CONVERSION;TOP221P;DIP	[SPS1000:2: {1.0}(IC2)]	
11	1.0000	PC	S74-50031-70703	C74-50031-70703	IC;VOLT.REGULATOR;LM317LM;SOIC	[HCA2400:04: {1.0}(IC8)]	
12	1.0000	PC	S74-50033-70703	C74-50033-70703	IC;VOLT.REGULATOR;LM337LM;SOIC	[HCA2400:04: {1.0}(IC9)]	
13	1.0000	PC	S75-45900-10528	C75-45900-10528	IC;PWM;HCA9001;SOIC	[HCA2400:04: {1.0}(IC5)]	
14	1.0000	PC	S77-05107-03110	C77-05107-03110	IC;VOLT.REGULATOR;7805F;FULLPACK;TO220	[SPS1000:2: {1.0}(IC4)]	
15	1.0000	PC	S77-05152-03001	C77-05152-03001	IC;VOLT.REGULATOR;78L05;SOT89	[HCA2400:04: {1.0}(IC3)]	
16	1.0000	PC	S77-05252-03001	C77-05252-03001	IC;VOLT.REGULATOR;79L05;SOT89	[HCA2400:04: {1.0}(IC4)]	
17	1.0000	PC	S78-55031-10508	C78-55031-10508	IC;COMPARATOR;LM311;SOP	[HCA2400:04: {1.0}(IC6)]	
18	6.0000	PC	S78-55133-90514	C78-55133-90514	IC;COMPARATOR;(SGS ONLY);LM339;SOP;SMD	[PMH3000:1: {6.0}(IC11-IC13,IC16-IC17,IC23)]	
19	1.0000	PC	T12-00100-02216	D12-00100-02217	IC;DIG COMM.;EUROTEC;V1000;SOIC	[DPM5V1000:00: {1.0}(IC3)]	
20	1.0000	PC	T24-18081-61832	D24-18081-61832	IC;MICROCONTROLLER;ATMEGA8A-AU;SMD;TQFP32		
21	1.0000	PC		D32-00107-02014	IC;PROGRAM;LABEL;DPM5;V1000;DATE:24.07.2006;REV:1.07	[DPM5V1000:00: {1.0}(IC1)]	
22	2.0000	PC	S77-12207-03110	C77-12207-03110	IC;VOLT.REGULATOR;7912F;FULLPACK;TO220	[SPS1000:2: {1.0}(IC6)]	(JP, CCC)
23	1.0000	PC	S77-12207-03110	C77-12207-03110	IC;VOLT.REGULATOR;7912F;FULLPACK;TO220	[SPS1000:2: {1.0}(IC8)]	(EU, UL, UK, SAA, BR, AR)
24	1.0000	PC	S77-15107-03110	C77-15107-03110	IC;VOLT.REGULATOR;7815F;FULLPACK;TO220	[SPS1000:2: {1.0}(IC5)]	(EU, UL, UK, SAA, BR, AR)
25	1.0000	PC	S77-15107-03110	C77-15107-03110	IC;VOLT.REGULATOR;7815F;FULLPACK;TO220	[SPS1000:2: {1.0}(IC5)]	
26	2.0000	PC	S77-12207-03110	C77-12207-03110	IC;VOLT.REGULATOR;7912F;FULLPACK;TO220		
27	1.0000	PC	S77-15207-03110	C77-15207-03110	IC;VOLT.REGULATOR;7915F;FULLPACK;TO220	[SPS1000:2: {1.0}(IC6)]	(EU, UL, UK, SAA, BR, AR)
28	1.0000	PC	S77-15207-03110	C77-15207-03110	IC;VOLT.REGULATOR;7915F;FULLPACK;TO220	[SPS1000:2: {1.0}(IC6)]	
29	2.0000	PC	S77-12107-03110	C77-12107-03110	IC;VOLT.REGULATOR;7812F;FULLPACK;TO220	[SPS1000:2: {1.0}(IC5)]	(JP, CCC)
30	2.0000	PC	S77-12107-03110	C77-12107-03110	IC;VOLT.REGULATOR;7812F;FULLPACK;TO220		

	Quantity	Unit	S.Sku	M.Sku	Description	Reference Designators	Notes
31	1.0000	PC	S77-12107-03110	C77-12107-03110	IC;VOLT.REGULATOR;7812F;FULLPACK;TO220	[SPS1000:2: {1.0}{IC7}]	(EU, UL, UK, SAA, BR, AR)

**Led**

	Quantity	Unit	S.Sku	M.Sku	Description	Reference Designators	Notes
1	4.0000	PC	U10-33565-00578	E10-33565-00578	LED HIB;2mm x 5mm;GREEN	[P0565:1: {4.0}{LD41,LD43-LD45}]	
2	1.0000	PC	U10-39585-00580	E10-39585-00580	LED HIB;2mm x 5mm;YELLOW	[P0565:1: {1.0}{LD40}]	
3	15.0000	PC	U10-53565-00588	E10-53565-00588	LED HIB;3mm ROUND;GREEN	[P0565:1: {15.0}{LD12,LD23-LD36}]	
4	28.0000	PC	U10-59585-00592	E10-59585-00592	LED HIB;3mm ROUND;YELLOW	[P0565:1: {28.0}{LD1-LD10,LD15-LD22,LD62-LD71}]	
5	1.0000	PC		E12-37630-00579	LED;2mm x 5mm;RD	[P0565:1: {1.0}{LD39}]	
6	21.0000	PC	U12-57630-00590	E12-57630-00590	LED;3mm ROUND;RD	[P0565:1: {21.0}{LD11,LD13-LD14,LD37-LD38,LD46-LD61}]	

## Metal Part

	Quantity	Unit	S.Sku	M.Sku	Description	Reference Designators	Notes
1	2.0000	PC		A60-00200-06540	METAL;BRACKET;HCA2400;DST.NO:002;DPT.NO:06540;(I00061P-BRACKET-REVB.DWG)		
2	1.0000	PC		A62-01100-09532	METAL;BOTTOM CABINET;P0565;DST.NO:011;DPT.NO:09532;(PMX3000-BOTTOM_CAB-REVK.dwf)		
3	1.0000	PC		A63-00200-06538	METAL;HEATSINK;ALU;EXTRUSION;HCA2400;DST.NO:002;DPT.NO:06538;(I00058P-HEATSINK-REVB.DWG)		
4	1.0000	PC		A63-00200-06843	METAL;HEATSINK;ALU;EXTRUSION;SPS1000;PART:3;DST.NO:002;DPT.NO:06843;(SPS1000-HEATSINK PART3-REVB.DWG)		
5	3.0000	PC		A63-00400-07288	METAL;HEATSINK;ALU;SPS1000;PART:1;DST.NO:004;DPT.NO:07288;(SPS1000-HEATSINK PART1-REVD.DWG)		
6	1.0000	PC		A63-00400-07289	METAL;HEATSINK;ALU;SPS1000;PART:2;DST.NO:004;DPT.NO:07289;(SPS1000-HEATSINK PART2-REVD.DWG)		
7	1.0000	PC		A65-00000-51019	METAL;P0A8N;ALUMINIUM ALLOY;HANDLE;EXTRUSION;GLOSS SEMI;SPRAY METALLIC;DARK GRAY;REV:C		
8	1.0000	PC		A65-00000-51022	METAL;P0A8N;SECC 1.2mm;PLATE;STAMPING;GLOSS SEMI;SPRAY METALLIC;DARK GRAY;HANDLE PLATE;RHS;REV:B		
9	1.0000	PC		A65-00000-51025	METAL;P0A8N;SECC 1.2mm;PLATE;STAMPING;GLOSS SEMI;SPRAY METALLIC;DARK GRAY;HANDLE PLATE;LHS;REV:B		
10	10.0000	PC		A65-00200-15166	METAL BRACE;SPS1000;NICKEL PLATED;DST.NO:002;DPT.NO:15166;(SPS1000-METAL_BRACE-REVB.idw)		
11	1.0000	PC		A65-09000-25912	METAL;FAN GUARD;DIAMETER:80mm;TYP:G;NO:01;SPEC.NO:25912		
12	1.0000	PC		A67-00100-02572	METAL STACK;P0565;MIDDLE CABINET;DST.NO 001;MIDDLE SHEET;DST.NO:001		
13	1.0000	PC		J02-00100-14999	METAL;TOP CABINET;P0565;PRINTED;FST.NO:001;DPT.NO:14999;(PMX3000-TOP-CAB-REVF.DWG)		
14	1.0000	PC		J02-00500-07587	METAL;BACK CABINET;P0229;PRINTED;FST.NO:005;DPT.NO:07587;(PMX3000-BACK-CAB-REVV.DWG)		



## Plastic Part

	Quantity	Unit	S.Sku	M.Sku	Description	Reference Designators	Notes
1	4.0000	PC	W51-01200-01762	G51-01200-01762	RUBBER FOOT;STANDARD;SELF-ADHESIVE;COLOR:BLK;DWG.NO:01762		
2	7.0000	PC	W52-00200-08623	G52-00200-08623	KNOB;FADER;FAD30MMKNOB 1;BLACK;DST.NO:002;DPT.NO:08623;(FADERKNOBB LK1-REVB.DWG)		
3	1.0000	PC	W52-00200-10210	G52-00200-10210	ENCODER KNOB;BLACK;DST.NO:002;DPT.NO:10210;(PMX-ENCODERKNOB-REVB.DWG)		
4	2.0000	PC		G52-00200-10993	KNOB;POT;(10);430C;CAP:430C;DST.NO:002;DPT.NO:10993;(PMX-POTKNOB(10)IN-REVB.DWG)		
5	13.0000	PC	W52-00200-11002	G52-00200-11002	KNOB;POT;(10);430C;CAP:BLACK;DST.NO:002;DPT.NO:11002;(PMX-POTKNOB(10)IN-REVB.DWG)		
6	11.0000	PC	W52-00200-00258	G52-00200-11003	KNOB;POT;(10);430C;CAP:WHITE;DST.NO:002;DPT.NO:11003;(PMX-POTKNOB(10)IN-REVB.DWG)		
7	10.0000	PC	W52-10509-30924	G52-00200-11096	KNOB;FADER;SMALL;BLACK;WHITE LINE;DWG.NO:30924;(FADER-KNOB-SMALL-01-REVB.DWG)		
8	2.0000	PC	W52-00100-00251	G52-00200-11108	KNOB;FADER;SMALL;430C;WHITE LINE;DST.NO:001;DPT.NO:11108;(FADER-KNOB-SMALL-01-REVB.DWG)		
9	24.0000	PC	W52-00200-12257	G52-00200-12257	KNOB;POTENTIOMETER;(10);430C;CAP:194C;DST.NO:002;DPT.NO:12257;(PMX-POTKNOB(10)IN-REVB.DWG)		
10	30.0000	PC	W52-00200-12258	G52-00200-12258	KNOB;POTENTIOMETER;(10);430C;CAP:289C;DST.NO:002;DPT.NO:12258;(PMX-POTKNOB(10)IN-REVB.DWG)		
11	13.0000	PC	W52-00200-12259	G52-00200-12259	KNOB;POTENTIOMETER;(10);430C;CAP:151U;DST.NO:002;DPT.NO:12259;(PMX-POTKNOB(10)IN-REVB.DWG)		
12	2.0000	PC	W52-00200-12270	G52-00200-12270	KNOB;FADER;SMALL;194C;WHITE LINE;DST.NO:2;DPT.NO:12270;(FADER-KNOB-SMALL-01-REVB.DWG)		
13	1.0000	PC	W52-00200-12287	G52-00200-12287	KNOB;FADER;SMALL;01;151U;WHITE LINE;DST.NO:2;DPT.NO:12287;(FADER-KNOB-SMALL-01-REVB.DWG)		
14	42.0000	PC	W52-00500-09353	G52-00500-09353	KNOB;SWITCH;UB-S;DST.NO:005;DPT.NO:09353;(UB-S_SWKNOB-REVE.DWG)		
15	2.0000	PC	W52-00500-11000	G52-00500-11000	KNOB;SWITCH;UB-S;430C;DST.NO:005;DPT.NO:11000;(UB-S_SWKNOB-REVE.DWG)		
16	1.0000	PC	W52-80500-23660	G52-80500-23660	PLASTIC;POWER SWITCH KNOB;PMX2000;DWG.NO:23660;(R20-PMX2000X-POWERKNOB-REVA.DWG)		

	Quantity	Unit	S.Sku	M.Sku	Description	Reference Designators	Notes
17	64.0000	PC		G53-00200-11127	PLASTIC;SPACER;MOULDING;BLACK;LENGTH:11MM; DST.NO:002;DPT.NO:11127;(R20-ACCESSORY- LEDSPACER-REVB.DWG)		
18	1.0000	PC	W53-14000-01976	G53-14000-01976	PLASTIC;SPACER;ABS;BLACK;LENGTH:14MM2;(SWIT CHSPACER14_2MM.DWG)		
19	1.0000	PC	W53-26000-22762	G53-26000-22762	FUSE HOLDER;TYPE:FH- B13HA;250V/10A;SPEC:22762	[SPS1000:1: {1.0}{F1}]	
20	1.0000	PC		G54-07100-01716	PLASTIC;LED BAR;MX1804X;ABS;DWG.NO:01716;(R14-LBAR1804- REVC.DWG)		
21	1.0000	PC	W56-00500-02932	G56-00500-02932	PLASTIC;LEFT;P0229;ABS;MOULDING;YS1284A;SPRA YING;BLACK;DST.NO:005;DPT.NO:2932;(PMX3000- SIDE-CAB-LEFT-REVE.DWG)		
22	1.0000	PC	W56-00600-02933	G56-00600-02933	PLASTIC;SIDE PANEL;PMX3000;RIGHT;DST.NO:006;D PT.NO:02933;(PMX3000-SIDE PANEL_RIGHT- REVF.DWG)		
23	2.0000	PC	W58-00200-00225	G58-00200-00225	PLASTIC;BACK;P0229;ABS;BLACK;DST.NO:002;DPT.N O:225;(PMX3000-BACK-FOOT-PAD-REVB.DWG)		
24	1.0000	PC		G58-00200-01735	PLASTIC;GUM;RUBBER;MOULDING;BLACK;PROTGU M01;DPA400;DST.NO:002;DPT.NO:01735;(DPA400- PROT_GUM01-REVB.DWG)		
25	4.0000	PC		G58-00200-01736	PLASTIC;GUM;RUBBER;MOULDING;BLACK;PROTGU M02;DPA400;DST.NO:002;DPT.NO:01736;(DPA400- PROT_GUM02-REVB.DWG)		
26	1.0000	PC	W58-00200-02452	G58-00200-02452	PLASTIC;INLET;ABS;PRO SERIES (POWER SWITCH);SIZE:0in58*0in58;ABS;DST.NO:002;DPT.NO: 02452;(PRO-PWRSWIT-REVB.DWG)		
27	2.0000	PC		G58-01300-23568	PLASTIC;BUSHING;DWG.NO:23568;(R2-PMX2000- BUSHING-REVA.DWG)		
28	1.0000	PC		G58-35300-06241	PLASTIC;GASKET;P0077;GX212 GX2000;RUBBER HEATSINK;DWG.NO:06241;(R14-HSGASKET1- REVB.DWG)		
29	1.0000	PC	Y64-00000-32653	I64-00000-32653	PLASTIC;P0559;PMMA;TRANSPARENT;LED WINDOW;XENYX FX;DPM5;A003		

## Plug Socket

	Quantity	Unit	S.Sku	M.Sku	Description	Reference Designators	Notes
1	35.0000	PC	W64-01211-03174	G64-01211-03174	PLUG;JACK STEREO 6mm3;STRAIGHT SOLDER;W/O MET.RNG.;MET.BUSH.;NO NUT/WASHER;(JY-6351G-02-250)	[P0565:1: {35.0}(X1-X3,X14-X45)]	
2	1.0000	PC	W64-16212-00005	G64-16212-00005	PLUG;PCB;PLUG;JACK STEREO 6mm3;STRAIGHTPCB LUGS;NO NUT/WASHER;METAL BUSHING;(CHUNSHENG PJ-632HA)	[P0565:1: {1.0}(X46)]	
3	1.0000	PC		G67-30103-01853	SOCKET;AC;SNAP-IN;UL94V-0;10/15A 125/250VAC;ANGLED;PCB MOUNT;COLOR:BLK;POLES:03;(INALWAYS 0714-1-1F7)	[SPS1000:1: {1.0}(X5)]	
4	2.0000	PC	W68-04004-03284	G68-04004-03284	PLUG;RCA;SOCKET;RCAJACK4P/S;FEMALE;POLES:04; STRAIGHT	[P0565:1: {2.0}(X4-X5)]	
5	1.0000	PC		G71-00000-03961	WAFER;V1000-14B,0.35um;LOGIC-3.3V(1P4M)		
6	1.0000	PC		G71-15224-24042	PIN HEADER;POLES:24;STRAIGHT;PITCH:2.54 mm;2 ROWS;1002-24-5	[DPM5V1000:00: {1.0}(X1)]	
7	2.0000	PC	W71-23102-03183	G71-23102-03183	WAFER;POLES:2;STRAIGHT;PITCH:2 mm;1 ROW;JS1125-02	[SPS1000:2: {2.0}(X7-X8)]	
8	1.0000	PC	W71-23104-03185	G71-23104-03185	WAFER;POLES:4;STRAIGHT;PITCH:2 mm;1 ROW;JS1125-04	[HCA2400:04: {1.0}(X11)]	
9	2.0000	PC	W71-23106-03187	G71-23106-03187	WAFER;POLES:6;STRAIGHT;PITCH:2 mm;1 ROW;JS1125-06	[HCA2400:04: {1.0}(X12)]	
10	2.0000	PC	W71-27103-03195	G71-27103-03195	WAFER;POLES:3;STRAIGHT;PITCH:3.96 mm;1 ROW;JS4001-03	[SPS1000:2: {2.0}(X3,X5)]	
11	1.0000	PC	W71-35224-03073	G71-35224-03073	PLUG;PCB;PLUG;PCB SOCKET;POLES:24;2 ROWS;STRAIGHT;PITCH:2mm54;2801-24GS	[P0565:1: {1.0}(X47)]	
12	16.0000	PC		G71-43000-05662	HOUSING;TERMINAL;SPH-002T-P0.5L		
13	1.0000	PC		G71-43104-05627	PLUG;HOUSING;POLES:4;1 ROW;STRAIGHT;PITCH:2mm		
14	2.0000	PC		G71-43106-05629	PLUG;HOUSING;P:2mm0;POLES:6;1 ROW;STRAIGHT;PITCH:2mm0		
15	2.0000	PC		G71-47103-05841	PLUG;HOUSING;A3961H00;PITCH:3mm96;POLES:3;R OWS:1;UL94-V0;STRAIGHT		
16	16.0000	PC		G71-80000-05663	BD.-IN-CONN;TERMINAL;SAN-002T-0.8A		
17	1.0000	PC		G71-83106-05650	BOARD-IN-CONNECTOR;POLES:6;ROWS:1;STRAIGHT;PITCH:2 mm		
18	1.0000	PC		G71-83110-05654	BOARD-IN-CONNECTOR;POLES:10;ROWS:1;STRAIGHT;PITCH:2 mm		

**Power Supply**

	Quantity	Unit	S.Sku	M.Sku	Description	Reference Designators	Notes
1	1.0000	PC	Z63-31700-00039	J63-31700-00039	TRANSFORMER;SPS600;TR-4;33mH;CORE:EE16;BILLION	[SPS1000:2: {1.0}{TR1}]	
2	1.0000	PC	Z69-30000-02101	J69-30000-02101	TRANSFORMER;1mH8;CORE:ERL39;(BILLION 94S-036A)	[SPS1000:2: {1.0}{TR2}]	(EU, UL, UK, SAA, CCC, BR, AR)
3	1.0000	PC	Z69-30000-03081	J69-30000-03081	TRANSFORMER;1mH02;CORE:ERL39;(BILLION 96S-043)		(JP)
4	1.0000	PC	Z69-30000-02101	J69-30000-02101	TRANSFORMER;1mH8;CORE:ERL39;(BILLION 94S-036A)	[SPS1000:2: {1.0}{TR2}]	
5	1.0000	PC	Z69-30000-02101	J69-30000-02101	TRANSFORMER;1mH8;CORE:ERL39;(BILLION 94S-036A)		

**Quarz**

	Quantity	Unit	S.Sku	M.Sku	Description	Reference Designators	Notes
1	1.0000	PC	X65-40471-00000	H65-40471-00000	QUARZ;RESONATOR;10MHz;HC49/S;FUNDAMENTAL	[DPM5V1000:00: {1.0}{Q1}]	

## Resistor

	Quantity	Unit	S.Sku	M.Sku	Description	Reference Designators	Notes
1	1.0000	PC			FADER;60mm;10Kohm;TAPER:D;MONO;W/O CC;LEVER:4mm*15mm;W/ THREADS M2;(SOUNDWELL SA6005NGA1B-HA1-007)		*NOT available in DP
2	3.0000	PC			FADER;60mm;10Kohm;TAPER:D;STEREO;W/O CC;LEVER LENGTH 15mm;(SOUNDWELL SA6005GOA0B-HA1-005)		*NOT available in DP
3	7.0000	PC			FADER;30mm;100Kohm;TAPER:W;STEREO;W/CC;(POLYSHINE F-3092E+C+E-W100K1-L9.5(J));RED LED	[P0565:1: {7.0}{VR24-VR30}]	*NOT available in DP
4	12.0000	PC			FADER;60mm;10Kohm;TAPER:D;MONO;W/O CC;LEVER:4mm*15mm;W/ THREADS M2;(POLYSHINE F-6045G-N1 D10K L15C(M)(J))	[P0565:1: {12.0}{VR101-VR108,VR111-VR113,VR115}]	*NOT available in DP
5	3.0000	PC			FADER;60mm;10Kohm;TAPER:D;STEREO;W/O CC;LEVER LENGTH 15mm;(POLYSHINE F-6045G1 D10K1 L15C(M)(J))	[P0565:1: {3.0}{VR109-VR110,VR114}]	*NOT available in DP
6	8.0000	PC			RESISTOR;CARBON;130Kohm;5%;0W063;SMD603	[PMH3000:1: {8.0}{R279-R286}]	*NOT available in DP
7	2.0000	PC			RESISTOR;CARBON;180Kohm;5%;0W063;SMD603	[PMH3000:1: {2.0}{R700-R701}]	*NOT available in DP
8	16.0000	PC			RESISTOR;CARBON;3ohm9;5%;0W063;SMD603	[PMH3000:1: {16.0}{R99-R114}]	*NOT available in DP
9	8.0000	PC			RESISTOR;CARBON;10ohm;5%;0W063;SMD603	[PMH3000:1: {8.0}{R191-R198}]	*NOT available in DP
10	6.0000	PC			RESISTOR;CARBON;100ohm;5%;0W063;SMD603	[HCA2400:04: {6.0}{R82,R95,R104-R107}]	*NOT available in DP
11	1.0000	PC			RESISTOR;CARBON;120ohm;5%;0W063;SMD603	[PMH3000:1: {1.0}{R384}]	*NOT available in DP
12	1.0000	PC			RESISTOR;CARBON;150ohm;5%;0W063;SMD603	[PMH3000:1: {1.0}{R413}]	*NOT available in DP
13	2.0000	PC			RESISTOR;CARBON;270ohm;5%;0W063;SMD603	[HCA2400:04: {2.0}{R101,R110}]	*NOT available in DP
14	2.0000	PC			RESISTOR;CARBON;330ohm;5%;0W063;SMD603	[PMH3000:1: {2.0}{R330,R346}]	*NOT available in DP
15	2.0000	PC			RESISTOR;CARBON;360ohm;5%;0W063;SMD603	[PMH3000:1: {2.0}{R458-R459}]	*NOT available in DP
16	3.0000	PC			RESISTOR;CARBON;470ohm;5%;0W063;SMD603	[PMH3000:1: {3.0}{R347,R385,R414}]	*NOT available in DP
17	3.0000	PC			RESISTOR;CARBON;510ohm;5%;0W063;SMD603	[PMH3000:1: {3.0}{R218-R219,R311}]	*NOT available in DP
18	1.0000	PC			RESISTOR;CARBON;620ohm;5%;0W063;SMD603	[PMH3000:1: {1.0}{R331}]	*NOT available in DP
19	16.0000	PC			RESISTOR;CARBON;910ohm;5%;0W063;SMD603	[PMH3000:1: {16.0}{R348-R349,R351-R352,R354-R355,R357-R358,R360-R361,R363-R364,R366-R367,R369-R370}]	*NOT available in DP
20	20.0000	PC			RESISTOR;CARBON;1Kohm;5%;0W063;SMD603	[PMH3000:1: {20.0}{R98,R122,R396,R467,R491,R527,R530,R533,R536,R539,R542,R545,R548,R551,R554,R562-R566}]	*NOT available in DP
21	6.0000	PC			RESISTOR;CARBON;1Kohm1;5%;0W063;SMD603	[PMH3000:1: {4.0}{R372-R373,R378-R379}]	*NOT available in DP
22	2.0000	PC			RESISTOR;CARBON;1Kohm2;5%;0W063;SMD603	[PMH3000:1: {2.0}{R449,R452}]	*NOT available in DP
23	13.0000	PC			RESISTOR;CARBON;1Kohm3;5%;0W063;SMD603	[PMH3000:1: {13.0}{R312,R350,R353,R356,R359,R362,R365,R368,R371,R374-R375,R380-R381}]	*NOT available in DP

	Quantity	Unit	S.Sku	M.Sku	Description	Reference Designators	Notes
24	13.0000	PC			RESISTOR;CARBON;1Kohm5;5%;0W063;SMD603	[PMH3000:1: {13.0}(R630,R634,R638,R642,R646,R650,R654,R658,R660-R663,R689)]	*NOT available in DP
25	1.0000	PC			RESISTOR;CARBON;1Kohm8;5%;0W063;SMD603	[PMH3000:1: {1.0}(R447)]	*NOT available in DP
26	5.0000	PC			RESISTOR;CARBON;2Kohm;5%;0W063;SMD603	[PMH3000:1: {5.0}(R179-R180,R297,R517-R518)]	*NOT available in DP
27	10.0000	PC			RESISTOR;CARBON;2Kohm2;5%;0W063;SMD603	[PMH3000:1: {10.0}(R302-R309,R448,R457)]	*NOT available in DP
28	12.0000	PC			RESISTOR;CARBON;2Kohm7;5%;0W063;SMD603	[PMH3000:1: {12.0}(R230,R234,R238,R242,R246,R250,R254,R258,R694-R695,R705,R710)]	*NOT available in DP
29	6.0000	PC			RESISTOR;CARBON;3Kohm3;5%;0W063;SMD603	[PMH3000:1: {6.0}(R185-R186,R188-R189,R704,R706)]	*NOT available in DP
30	4.0000	PC			RESISTOR;CARBON;3Kohm6;5%;0W063;SMD603	[PMH3000:1: {2.0}(R450-R451)]	*NOT available in DP
31	20.0000	PC			RESISTOR;CARBON;3Kohm9;5%;0W063;SMD603	[PMH3000:1: {18.0}(R629,R631,R633,R635,R637,R639,R641,R643,R645,R647,R649,R651,R653,R655,R657,R659,R667,R690)]	*NOT available in DP
32	3.0000	PC			RESISTOR;CARBON;4Kohm7;5%;0W063;SMD603	[PMH3000:1: {3.0}(R183,R617,R620)]	*NOT available in DP
33	36.0000	PC			RESISTOR;CARBON;5Kohm1;5%;0W063;SMD603	[PMH3000:1: {36.0}(R287-R288,R463-R464,R492-R507,R510-R511,R514-R516,R519,R555-R556,R598-R599,R621,R675,R677,R679,R687-R688)]	*NOT available in DP
34	3.0000	PC			RESISTOR;CARBON;5Kohm6;5%;0W063;SMD603	[PMH3000:1: {3.0}(R289,R486-R487)]	*NOT available in DP
35	38.0000	PC			RESISTOR;CARBON;6Kohm8;5%;0W063;SMD603	[PMH3000:1: {38.0}(R201-R202,R231,R235,R239,R243,R247,R251,R255,R259,R418-R419,R421-R422,R424-R425,R427-R428,R430-R431,R433-R434,R436-R437,R439-R440,R584-R593,R711-R712)]	*NOT available in DP
36	2.0000	PC			RESISTOR;CARBON;7Kohm5;5%;0W063;SMD603	[HCA2400:04: {2.0}(R103,R108)]	*NOT available in DP
37	1.0000	PC			RESISTOR;CARBON;8Kohm2;5%;0W063;SMD603	[PMH3000:1: {1.0}(R278)]	*NOT available in DP
38	44.0000	PC			RESISTOR;CARBON;10Kohm;5%;0W063;SMD603	[PMH3000:1: {42.0}(R139-R146,R153-R160,R184,R215,R376-R377,R382-R383,R420,R423,R426,R429,R432,R435,R438,R441,R444-R445,R482-R485,R520-R521,R684-R685,R698,R707)]	*NOT available in DP
39	10.0000	PC			RESISTOR;CARBON;12Kohm;5%;0W063;SMD603	[PMH3000:1: {10.0}(R262,R264,R266,R268,R270,R272,R274,R276,R622-R623)]	*NOT available in DP
40	14.0000	PC			RESISTOR;CARBON;15Kohm;5%;0W063;SMD603	[PMH3000:1: {12.0}(R228,R232,R236,R240,R244,R248,R252,R256,R666,R676,R678,R680)]	*NOT available in DP
41	10.0000	PC			RESISTOR;CARBON;18Kohm;5%;0W063;SMD603	[PMH3000:1: {10.0}(R187,R190,R263,R265,R267,R269,R271,R273,R275,R277)]	*NOT available in DP

	Quantity	Unit	S.Sku	M.Sku	Description	Reference Designators	Notes
42	13.0000	PC			RESISTOR;CARBON;20Kohm;5%;0W063;SMD603	[PMH3000:1: {13.0}(R220-R221,R224-R225,R229,R233,R237,R241,R245,R249,R253,R257,R594)]	*NOT available in DP
43	4.0000	PC			RESISTOR;CARBON;24Kohm;5%;0W063;SMD603	[PMH3000:1: {4.0}(R291-R294)]	*NOT available in DP
44	26.0000	PC			RESISTOR;CARBON;27Kohm;5%;0W063;SMD603	[PMH3000:1: {26.0}(R394-R395,R489-R490,R525-R526,R528-R529,R531-R532,R534-R535,R537-R538,R540-R541,R543-R544,R546-R547,R549-R550,R552-R553,R582-R583)]	*NOT available in DP
45	2.0000	PC			RESISTOR;CARBON;30Kohm;5%;0W063;SMD603	[PMH3000:1: {2.0}(R460-R461)]	*NOT available in DP
46	4.0000	PC			RESISTOR;CARBON;36Kohm;5%;0W063;SMD603	[PMH3000:1: {4.0}(R686,R691-R692,R697)]	*NOT available in DP
47	12.0000	PC			RESISTOR;CARBON;47Kohm;5%;0W063;SMD603	[PMH3000:1: {10.0}(R446,R456,R508-R509,R512-R513,R624,R627,R693,R696)]	*NOT available in DP
48	4.0000	PC			RESISTOR;CARBON;62Kohm;5%;0W063;SMD603	[PMH3000:1: {4.0}(R522-R523,R597,R600)]	*NOT available in DP
49	2.0000	PC			RESISTOR;CARBON;68Kohm;5%;0W063;SMD603	[PMH3000:1: {2.0}(R161,R172)]	*NOT available in DP
50	2.0000	PC			RESISTOR;CARBON;82Kohm;5%;0W063;SMD603	[PMH3000:1: {2.0}(R664-R665)]	*NOT available in DP
51	19.0000	PC			RESISTOR;CARBON;100Kohm;5%;0W063;SMD603	[PMH3000:1: {19.0}(R97,R121,R222-R223,R226-R227,R442-R443,R596,R615-R616,R618-R619,R625-R626,R681-R682,R699,R702)]	*NOT available in DP
52	2.0000	PC			RESISTOR;CARBON;150Kohm;5%;0W063;SMD603	[HCA2400:04: {2.0}(R102,R109)]	*NOT available in DP
53	1.0000	PC			RESISTOR;CARBON;200Kohm;5%;0W063;SMD603	[PMH3000:1: {1.0}(R595)]	*NOT available in DP
54	12.0000	PC			RESISTOR;CARBON;1Mohm;5%;0W063;SMD603	[PMH3000:1: {12.0}(R390-R393,R628,R632,R636,R640,R644,R648,R652,R656)]	*NOT available in DP
55	2.0000	PC			RESISTOR;CARBON;10Mohm;5%;0W063;SMD603	[HCA2400:04: {2.0}(R64,R68)]	*NOT available in DP
56	2.0000	PC			RESISTOR;METAL;243ohm;1%;0W063;SMD603	[HCA2400:04: {2.0}(R58-R59)]	*NOT available in DP
57	4.0000	PC			RESISTOR;METAL;806ohm;1%;0W063;SMD603	[PMH3000:1: {4.0}(R318-R319,R328-R329)]	*NOT available in DP
58	1.0000	PC			RESISTOR;METAL;1Kohm;1%;0W063;SMD603	[PMH3000:1: {1.0}(R261)]	*NOT available in DP
59	2.0000	PC			RESISTOR;METAL;1Kohm24;1%;0W063;SMD603	[PMH3000:1: {2.0}(R322-R323)]	*NOT available in DP
60	16.0000	PC			RESISTOR;METAL;1Kohm3;1%;0W063;SMD603	[PMH3000:1: {16.0}(R123-R138)]	*NOT available in DP
61	2.0000	PC			RESISTOR;METAL;1Kohm50;1%;0W063;SMD603	[HCA2400:04: {2.0}(R65,R67)]	*NOT available in DP
62	4.0000	PC			RESISTOR;METAL;2Kohm;1%;0W063;SMD603	[PMH3000:1: {4.0}(R316-R317,R326-R327)]	*NOT available in DP
63	2.0000	PC			RESISTOR;METAL;3Kohm16;1%;0W063;SMD603	[PMH3000:1: {2.0}(R320-R321)]	*NOT available in DP
64	2.0000	PC			RESISTOR;METAL;4Kohm42;1%;0W063;SMD603	[PMH3000:1: {2.0}(R410-R411)]	*NOT available in DP
65	2.0000	PC			RESISTOR;METAL;4Kohm75;1%;0W063;SMD603	[HCA2400:04: {2.0}(R46,R57)]	*NOT available in DP
66	2.0000	PC			RESISTOR;METAL;5Kohm11;1%;0W063;SMD603	[PMH3000:1: {2.0}(R324-R325)]	*NOT available in DP
67	4.0000	PC			RESISTOR;METAL;6Kohm34;1%;0W063;SMD603	[PMH3000:1: {4.0}(R399-R400,R409,R412)]	*NOT available in DP
68	2.0000	PC			RESISTOR;METAL;8Kohm66;1%;0W063;SMD603	[HCA2400:04: {2.0}(R83,R94)]	*NOT available in DP
69	1.0000	PC			RESISTOR;METAL;9Kohm09;1%;0W063;SMD603	[PMH3000:1: {1.0}(R260)]	*NOT available in DP
70	2.0000	PC			RESISTOR;METAL;10Kohm;1%;0W063;SMD603	[PMH3000:1: {2.0}(R403-R404)]	*NOT available in DP

	Quantity	Unit	S.Sku	M.Sku	Description	Reference Designators	Notes
71	4.0000	PC			RESISTOR;METAL;12Kohm1;1%;0W063;SMD603	[HCA2400:04: {4.0}(R118,R123,R126-R127)]	*NOT available in DP
72	4.0000	PC			RESISTOR;METAL;13Kohm3;1%;0W063;SMD603	[PMH3000:1: {4.0}(R334-R335,R344-R345)]	*NOT available in DP
73	4.0000	PC			RESISTOR;METAL;16Kohm5;1%;0W063;SMD603	[PMH3000:1: {4.0}(R397-R398,R407-R408)]	*NOT available in DP
74	2.0000	PC			RESISTOR;METAL;20Kohm;1%;0W063;SMD603	[PMH3000:1: {2.0}(R338-R339)]	*NOT available in DP
75	2.0000	PC			RESISTOR;METAL;26Kohm7;1%;0W063;SMD603	[PMH3000:1: {2.0}(R401-R402)]	*NOT available in DP
76	4.0000	PC			RESISTOR;METAL;30Kohm1;1%;0W063;SMD603	[HCA2400:04: {4.0}(R119-R122)]	*NOT available in DP
77	6.0000	PC			RESISTOR;METAL;33Kohm2;1%;0W063;SMD603	[PMH3000:1: {4.0}(R332-R333,R342-R343)]	*NOT available in DP
78	2.0000	PC			RESISTOR;METAL;40Kohm2;1%;0W063;SMD603	[PMH3000:1: {2.0}(R405-R406)]	*NOT available in DP
79	2.0000	PC			RESISTOR;METAL;51Kohm1;1%;0W063;SMD603	[PMH3000:1: {2.0}(R336-R337)]	*NOT available in DP
80	2.0000	PC			RESISTOR;METAL;80Kohm60;1%;0W063;SMD603	[PMH3000:1: {2.0}(R340-R341)]	*NOT available in DP
81	2.0000	PC			RESISTOR;METAL;105Kohm;1%;0W063;SMD603	[HCA2400:04: {2.0}(R84,R93)]	*NOT available in DP
82	2.0000	PC			RESISTOR;CARBON;0ohm;5%;0W1;SMD805	[DPM5V1000:00: {1.0}(R1)]	*NOT available in DP
83	3.0000	PC			RESISTOR;CARBON;2ohm2;5%;0W1;SMD805	[DPM5V1000:00: {1.0}(R10)]	*NOT available in DP
84	1.0000	PC			RESISTOR;CARBON;5ohm1;5%;0W1;SMD805	[DPM5V1000:00: {1.0}(R8)]	*NOT available in DP
85	1.0000	PC			RESISTOR;CARBON;6ohm8;5%;0W1;SMD805	[SPS1000:2: {1.0}(R30)]	*NOT available in DP
86	1.0000	PC			RESISTOR;CARBON;15ohm;5%;0W1;SMD805	[SPS1000:2: {1.0}(R31)]	*NOT available in DP
87	2.0000	PC			RESISTOR;CARBON;22ohm;5%;0W1;SMD805	[PMH3000:1: {2.0}(R212-R213)]	*NOT available in DP
88	2.0000	PC			RESISTOR;CARBON;47ohm;5%;0W1;SMD805	[HCA2400:04: {2.0}(R50,R55)]	*NOT available in DP
89	1.0000	PC			RESISTOR;CARBON;100ohm;5%;0W1;SMD805	[DPM5V1000:00: {1.0}(R6)]	*NOT available in DP
90	26.0000	PC			RESISTOR;CARBON;120ohm;5%;0W1;SMD805	[PMH3000:1: {26.0}(R93-R96,R115-R120,R147-R152,R162-R169,R211,R214)]	*NOT available in DP
91	2.0000	PC			RESISTOR;CARBON;150ohm;5%;0W1;SMD805	[DPM5V1000:00: {2.0}(R2-R3)]	*NOT available in DP
92	2.0000	PC			RESISTOR;CARBON;1Kohm;5%;0W1;SMD805	[DPM5V1000:00: {1.0}(R14)]	*NOT available in DP
93	29.0000	PC			RESISTOR;CARBON;1Kohm5;5%;0W1;SMD805	[PMH3000:1: {29.0}(R199-R200,R203-R210,R217,R388,R466,R488,R557-R561,R572-R581)]	*NOT available in DP
94	2.0000	PC			RESISTOR;CARBON;2Kohm2;5%;0W1;SMD805	[PMH3000:1: {2.0}(R170-R171)]	*NOT available in DP
95	3.0000	PC			RESISTOR;CARBON;4Kohm7;5%;0W1;SMD805	[DPM5V1000:00: {1.0}(R9)]	*NOT available in DP
96	1.0000	PC			RESISTOR;CARBON;5Kohm1;5%;0W1;SMD805	[PMH3000:1: {1.0}(R389)]	*NOT available in DP
97	1.0000	PC			RESISTOR;CARBON;5Kohm6;5%;0W1;SMD805	[SPS1000:2: {1.0}(R35)]	*NOT available in DP
98	5.0000	PC			RESISTOR;CARBON;6Kohm8;5%;0W1;SMD805	[PMH3000:1: {5.0}(R173,R175-R176,R178,R182)]	*NOT available in DP
99	3.0000	PC			RESISTOR;CARBON;8Kohm2;5%;0W1;SMD805	[SPS1000:2: {3.0}(R33,R36-R37)]	*NOT available in DP
100	6.0000	PC			RESISTOR;CARBON;10Kohm;5%;0W1;SMD805	[DPM5V1000:00: {1.0}(R4)]	*NOT available in DP
101	1.0000	PC			RESISTOR;CARBON;20Kohm;5%;0W1;SMD805	[PMH3000:1: {1.0}(R216)]	*NOT available in DP
102	5.0000	PC			RESISTOR;CARBON;22Kohm;5%;0W1;SMD805	[SPS1000:2: {5.0}(R17-R18,R20,R23-R24)]	*NOT available in DP
103	1.0000	PC			RESISTOR;CARBON;24Kohm;5%;0W1;SMD805	[DPM5V1000:00: {1.0}(R7)]	*NOT available in DP
104	2.0000	PC			RESISTOR;CARBON;33Kohm;5%;0W1;SMD805	[SPS1000:2: {2.0}(R22,R40)]	*NOT available in DP



	Quantity	Unit	S.Sku	M.Sku	Description	Reference Designators	Notes
105	1.0000	PC			RESISTOR;CARBON;36Kohm;5%;0W1;SMD805	[SPS1000:2: {1.0}(R46)]	*NOT available in DP
106	1.0000	PC			RESISTOR;CARBON;47Kohm;5%;0W1;SMD805	[DPM5V1000:00: {1.0}(R5)]	*NOT available in DP
107	2.0000	PC			RESISTOR;CARBON;100Kohm;5%;0W1;SMD805	[SPS1000:2: {2.0}(R47-R48)]	*NOT available in DP
108	1.0000	PC			RESISTOR;CARBON;120Kohm;5%;0W1;SMD805	[SPS1000:2: {1.0}(R19)]	*NOT available in DP
109	1.0000	PC			RESISTOR;CARBON;680Kohm;5%;0W1;SMD805	[HCA2400:04: {1.0}(R71)]	*NOT available in DP
110	2.0000	PC			RESISTOR;CARBON;1Mohm;5%;0W1;SMD805	[DPM5V1000:00: {1.0}(R11)]	*NOT available in DP
111	1.0000	PC			RESISTOR;METAL;47ohm;1%;0W1;SMD805	[SPS1000:2: {1.0}(R34)]	*NOT available in DP
112	1.0000	PC			RESISTOR;METAL;330ohm;1%;0W1;SMD805	[SPS1000:2: {1.0}(R43)]	*NOT available in DP
113	4.0000	PC			RESISTOR;METAL;365ohm;1%;0W1;SMD805	[HCA2400:04: {4.0}(R74-R75,R80-R81)]	*NOT available in DP
114	2.0000	PC			RESISTOR;METAL;392ohm;1%;0W1;SMD805	[HCA2400:04: {2.0}(R6,R15)]	*NOT available in DP
115	1.0000	PC			RESISTOR;METAL;470ohm;1%;0W1;SMD805	[SPS1000:2: {1.0}(R49)]	*NOT available in DP
116	2.0000	PC			RESISTOR;METAL;845ohm;1%;0W1;SMD805	[HCA2400:04: {2.0}(R5,R16)]	*NOT available in DP
117	2.0000	PC			RESISTOR;METAL;1Kohm;1%;0W1;SMD805	[HCA2400:04: {2.0}(R43,R53)]	*NOT available in DP
118	8.0000	PC			RESISTOR;METAL;1Kohm21;1%;0W1;SMD805	[HCA2400:04: {8.0}(R27,R30,R97,R99-R100,R112-R113,R115)]	*NOT available in DP
119	1.0000	PC			RESISTOR;METAL;2Kohm20;1%;0W1;SMD805	[DPM5V1000:00: {1.0}(R12)]	*NOT available in DP
120	1.0000	PC			RESISTOR;METAL;2Kohm74;1%;0W1;SMD805	[HCA2400:04: {1.0}(R77)]	*NOT available in DP
121	10.0000	PC			RESISTOR;METAL;3Kohm32;1%;0W1;SMD805	[HCA2400:04: {10.0}(R42,R45,R49,R56,R63,R69,R72,R76,R98,R114)]	*NOT available in DP
122	4.0000	PC			RESISTOR;METAL;4Kohm75;1%;0W1;SMD805	[HCA2400:04: {4.0}(R44,R51-R52,R54)]	*NOT available in DP
123	1.0000	PC			RESISTOR;METAL;5Kohm62;1%;0W1;SMD805	[HCA2400:04: {1.0}(R37)]	*NOT available in DP
124	15.0000	PC			RESISTOR;METAL;10Kohm;1%;0W1;SMD805	[DPM5V1000:00: {1.0}(R13)]	*NOT available in DP
125	1.0000	PC			RESISTOR;METAL;22Kohm;1%;0W1;SMD805	[SPS1000:2: {1.0}(R50)]	*NOT available in DP
126	1.0000	PC			RESISTOR;METAL;33Kohm2;1%;0W1;SMD805	[HCA2400:04: {1.0}(R40)]	*NOT available in DP
127	2.0000	PC			RESISTOR;METAL;47Kohm;1%;0W1;SMD805	[SPS1000:2: {2.0}(R42,R51)]	*NOT available in DP
128	2.0000	PC			RESISTOR;METAL;56Kohm2;1%;0W1;SMD805	[HCA2400:04: {2.0}(R39,R41)]	*NOT available in DP
129	2.0000	PC			RESISTOR;METAL;100Kohm;1%;0W1;SMD805	[HCA2400:04: {2.0}(R79,R140)]	*NOT available in DP
130	1.0000	PC			RESISTOR;METAL;274Kohm;1%;0W1;SMD805	[HCA2400:04: {1.0}(R36)]	*NOT available in DP
131	2.0000	PC			RESISTOR;METAL;681Kohm;1%;0W1;SMD805	[HCA2400:04: {2.0}(R34-R35)]	*NOT available in DP
132	2.0000	PC			RESISTOR;CARBON;47Kohm;5%;0W25;SMD1206	[PMH:06: {2.0}(R1-R2)]	*NOT available in DP
133	1.0000	PC			RESISTOR;CARBON;56Kohm;5%;0W25;SMD1206	[HCA2400:04: {1.0}(R111)]	*NOT available in DP
134	1.0000	PC			RESISTOR;CARBON;62Kohm;5%;0W25;SMD1206	[HCA2400:04: {1.0}(R96)]	*NOT available in DP
135	2.0000	PC			RESISTOR;METAL;10ohm;1%;0W25;SMD1206	[HCA2400:04: {2.0}(R9-R10)]	*NOT available in DP
136	4.0000	PC			RESISTOR;METAL;15ohm;1%;0W25;SMD1206	[HCA2400:04: {4.0}(R18-R19,R21-R22)]	*NOT available in DP
137	2.0000	PC			RESISTOR;METAL;3Kohm01;1%;0W25;SMD1206	[HCA2400:04: {2.0}(R133-R134)]	*NOT available in DP
138	1.0000	PC			RESISTOR;METAL;3Kohm92;1%;0W25;SMD1210	[HCA2400:04: {1.0}(R128)]	*NOT available in DP

	Quantity	Unit	S.Sku	M.Sku	Description	Reference Designators	Notes
139	4.0000	PC			RESISTOR;METAL;10Kohm;1%;0W25;SMD1206	[HCA2400:04: {2.0}(R131,R136)]	*NOT available in DP
140	4.0000	PC			RESISTOR;METAL;15Kohm;1%;0W25;SMD1206	[HCA2400:04: {4.0}(R17,R20,R23-R24)]	*NOT available in DP
141	2.0000	PC			RESISTOR;METAL;22Kohm1;1%;0W25;SMD1206	[HCA2400:04: {2.0}(R132,R135)]	*NOT available in DP
142	2.0000	PC			RESISTOR;METAL;182Kohm;1%;0W25;SMD1206	[HCA2400:04: {2.0}(R47-R48)]	*NOT available in DP
143	2.0000	PC			RESISTOR;CARBON;15ohm;5%;0W33;SMD1210	[HCA2400:04: {2.0}(R129-R130)]	*NOT available in DP
144	2.0000	PC			RESISTOR;METAL;10ohm;1%;0W33;SMD1210	[HCA2400:04: {2.0}(R13-R14)]	*NOT available in DP
145	2.0000	PC			RESISTOR;METAL;20ohm;1%;0W33;SMD1210	[HCA2400:04: {2.0}(R25-R26)]	*NOT available in DP
146	2.0000	PC			RESISTOR;ARRAY METAL;33ohm;1%;SMD1206	[PMH3000:1: {2.0}(R470-R471)]	*NOT available in DP
147	2.0000	PC			RESISTOR;ARRAY;910ohm;SMD1206;CAY16-911J4	[PMH3000:1: {2.0}(R313-R314)]	*NOT available in DP
148	1.0000	PC			RESISTOR;ARRAY;1Kohm;SMD1206;CAY16-102J4	[PMH3000:1: {1.0}(R469)]	*NOT available in DP
149	2.0000	PC			RESISTOR;ARRAY;3Kohm9;SMD1206;CAY16-392J4	[PMH3000:1: {2.0}(R668-R669)]	*NOT available in DP
150	3.0000	PC			RESISTOR;ARRAY;METAL;4Kohm42;1%;SMD1206	[PMH3000:1: {3.0}(R415-R417)]	*NOT available in DP
151	1.0000	PC			RESISTOR;ARRAY;4Kohm7;SMD1206;CAY16-472J4	[PMH3000:1: {1.0}(R473)]	*NOT available in DP
152	8.0000	PC			RESISTOR;ARRAY;5Kohm1;SMD1206;CAY16-512J4	[PMH3000:1: {8.0}(R474-R481)]	*NOT available in DP
153	2.0000	PC			RESISTOR;ARRAY;6Kohm8;SMD1206;CAY16-682J4	[PMH3000:1: {2.0}(R386-R387)]	*NOT available in DP
154	18.0000	PC			RESISTOR;ARRAY;10Kohm;SMD1206;CAY16-103J4	[PMH3000:1: {18.0}(R290,R298-R301,R310,R455,R462,R465,R468,R524,R570-R571,R605-R606,R709,R713-R714)]	*NOT available in DP
155	3.0000	PC			RESISTOR;ARRAY;12Kohm;SMD1206;CAY16-123J4	[PMH3000:1: {3.0}(R604,R703,R708)]	*NOT available in DP
156	2.0000	PC			RESISTOR;ARRAY;METAL;13Kohm3;1%;SMD1206	[PMH3000:1: {2.0}(R453-R454)]	*NOT available in DP
157	2.0000	PC			RESISTOR;ARRAY;15Kohm;SMD1206;CAY16-153J4	[PMH3000:1: {2.0}(R603,R673)]	*NOT available in DP
158	1.0000	PC			RESISTOR;ARRAY;20Kohm;SMD1206;CAY16-203J4	[PMH3000:1: {1.0}(R674)]	*NOT available in DP
159	5.0000	PC			RESISTOR;ARRAY;27Kohm;SMD1206;CAY16-273J4	[PMH3000:1: {5.0}(R567-R569,R601-R602)]	*NOT available in DP
160	2.0000	PC			RESISTOR;ARRAY;30Kohm;SMD1206;CAY16-303J4	[PMH3000:1: {2.0}(R295-R296)]	*NOT available in DP
161	4.0000	PC			RESISTOR;ARRAY;36Kohm;SMD1206;CAY16-363J4	[PMH3000:1: {4.0}(R472,R670-R672)]	*NOT available in DP
162	1.0000	PC			RESISTOR;ARRAY;43Kohm;SMD1206;CAY16-433J4	[PMH3000:1: {1.0}(R683)]	*NOT available in DP
163	8.0000	PC			RESISTOR;ARRAY;47Kohm;SMD1206;CAY16-473J4	[PMH3000:1: {8.0}(R607-R614)]	*NOT available in DP
164	3.0000	PC			POTENTIOMETER;TAPER;YK6;STEREO;W/CC;10KAC;E VJYK6F03651		*NOT available in DP
165	6.0000	PC			POTENTIOMETER;50Kohm;TAPER:B;STEREO;W/CC;E VJY96F03B54		*NOT available in DP
166	3.0000	PC			POTENTIOMETER;50Kohm;TAPER:G;STEREO;W/CC;E VJY96F03G54		*NOT available in DP
167	5.0000	PC			POTENTIOMETER;50Kohm;TAPER:G;STEREO;W/OCC; EVJY95F03G54		*NOT available in DP
168	10.0000	PC			POTENTIOMETER;10Kohm 10Kohm;TAPER:A/C;STEREO;SHAFT:30MM;W/CC;NORMAL TORQUE;(TOPROOT RK112GV01-F30B12-A-C10KSB-CC-O)	[P0565:1: {10.0}(VR87-VR96)]	*NOT available in DP

	Quantity	Unit	S.Sku	M.Sku	Description	Reference Designators	Notes
169	6.0000	PC			POTENTIOMETER;50Kohm;TAPER:B;STEREO;W/CC;(TOPROOT RK112GV01-F30B12-B50KSB-CC-O)	[P0565:1: {6.0}{VR21-VR22,VR39-VR40,VR50-VR51}]	*NOT available in DP
170	3.0000	PC			POTENTIOMETER;50Kohm;TAPER:G;STEREO;SHAFT:30MM;W/CC;NORMAL TORQUE;(TOPROOT RK112GV01-F30B12-W50KSB-CC-O)	[P0565:1: {3.0}{VR10-VR11,VR63}]	*NOT available in DP
171	5.0000	PC			POTENTIOMETER;50Kohm;TAPER:G;STEREO;SHAFT:30MM;W/O CC;NORMAL TORQUE;(TOPROOT RK112GV01-F30B12-W50KSB-O)	[P0565:1: {5.0}{VR41,VR75,VR86,VR99-VR100}]	*NOT available in DP
172	24.0000	PC			POTENTIOMETER;50Kohm;TAPER:B;MONO;SHAFT:30MM;W/ CC;HIGH TORQUE;(TOPROOT RK093NVA01-F30B12-B50K(300)-CC-O-H)	[P0565:1: {24.0}{VR13-VR20,VR31-VR38,VR42-VR49}]	*NOT available in DP
173	8.0000	PC			POTENTIOMETER;5Kohm;TAPER:C05;MONO;SHAFT:30MM;WO/ CC;HIGH TORQUE;(TOPROOT RK093NVA01-F30B12-05C5K(300)-O-H)	[P0565:1: {8.0}{VR2-VR9}]	*NOT available in DP
174	1.0000	PC			POTENTIOMETER;1Kohm;TAPER:A;MONO;SHAFT:30MM;WO/ CC;HIGH TORQUE;(TOPROOT RK093NVA01-F30B12-A1K(300)-O-H)	[P0565:1: {1.0}{VR1}]	*NOT available in DP
175	36.0000	PC			POTENTIOMETER;50Kohm;TAPER:G;MONO;SHAFT:30MM;W/O CC;HIGH TORQUE;(TOPROOT RK093NVA01-F30B12-W50K(300)-O-H)	[P0565:1: {36.0}{VR12,VR23,VR52-VR62,VR64-VR74,VR76-VR85,VR97-VR98}]	*NOT available in DP
176	1.0000	PC		I04-23301-00496	THERMISTOR;PTC;330ohms;2Kohm2;20%;DIA.;W/LUG	[HCA2400:04: {1.0}{R1}]	
177	0.0000	PC		I04-23301-01841	THERMISTOR;PTC;330ohms;2Kohm2;20%;DIA.;W/LUG;(THINKING PTMS2331RP430Y)		
178	0.0000	PC		I04-23301-01842	THERMISTOR;PTC;330ohms;2Kohm2;20%;DIA.;W/LUG;(THINKING PTMS2331RP630Y)		
179	1.0000	PC	Y04-23301-53363	I04-23301-53363	THERMISTOR;PTC;330ohms;2Kohm2;20%;DIA.;W/LUG	[SPS1000:2: {1.0}{VR1}]	
180	3.0000	PC		I04-23301-53364	THERMISTOR;PTC;330ohms;2Kohm2;20%;DIA.;W/LUG	[HCA2400:04: {1.0}{R2}]	
181	2.0000	PC			RESISTOR;0ohm03;1%;2W;SMD;SL2;KOA	[HCA2400:04: {2.0}{R137-R138}]	*NOT available in DP
182	5.0000	PC			RESISTOR;CARBON;22ohm;5%;0W25;LEAD WIRE;HORIZONTAL 26-6mm	[P0565:01: {5.0}{R18,R67-R69,R88}]	*NOT available in DP
183	2.0000	PC			RESISTOR;CARBON;27ohm;5%;0W25;LEAD WIRE;HORIZONTAL 26-6mm	[P0565:01: {2.0}{R91-R92}]	*NOT available in DP
184	2.0000	PC			RESISTOR;METAL;390ohm;1%;0W25;LEAD WIRE;HORIZONTAL 26-6mm	[P0565:01: {2.0}{R89-R90}]	*NOT available in DP
185	2.0000	PC			RESISTOR;METAL;10Kohm;1%;0W25;LEAD WIRE;HORIZONTAL 26-6mm	[P0565:01: {2.0}{R70-R71}]	*NOT available in DP
186	16.0000	PC			RESISTOR;CARBON;510 ohm;0W25;5%;CARB;HORIZONTAL 26-6mm	[P0565:01: {16.0}{R20,R23,R26,R29,R32,R35,R38,R41,R44,R47,R50,R53,R56,R59,R62,R65}]	*NOT available in DP
187	16.0000	PC			RESISTOR;METAL;825 ohm;0W25;1%;MET;HORIZONTAL 26-6mm	[P0565:01: {16.0}{R21,R24,R27,R30,R33,R36,R39,R42,R45,R48,R51,R54,R57,R60,R63,R66}]	*NOT available in DP

	Quantity	Unit	S.Sku	M.Sku	Description	Reference Designators	Notes
188	16.0000	PC			RESISTOR;METAL;2.49 kohm;0W25;1%;MET;HORIZONTAL 26-6mm	[P0565:01: {16.0}{R19,R22,R25,R28,R31,R34,R37,R40,R43,R46,R49,R52,R55,R58,R61,R64}]	*NOT available in DP
189	16.0000	PC			RESISTOR;METAL;3.92 kohm;0W25;1%;MET;HORIZONTAL 26-6mm	[P0565:01: {16.0}{R72-R87}]	*NOT available in DP
190	16.0000	PC			RESISTOR;METAL;6.81 kohm;0W25;1%;MET;HORIZONTAL 26-6mm	[P0565:01: {16.0}{R1-R16}]	*NOT available in DP
191	3.0000	PC			RESISTOR;CARBON;33ohm;5%;0W25;LEAD WIRE	[SPS1000:2: {3.0}{R5,R7-R8}]	*NOT available in DP
192	1.0000	PC			RESISTOR;CARBON;10Kohm;5%;0W25;LEAD WIRE	[SPS1000:2: {1.0}{R3}]	*NOT available in DP
193	1.0000	PC			RESISTOR;CARBON;390ohm;5%;1W;LEAD WIRE	[P0565:1: {1.0}{R17}]	*NOT available in DP
194	2.0000	PC			RESISTOR;CARBON;10ohm;5%;2W;LEAD WIRE;F-TYPE	[HCA2400:04: {2.0}{R61-R62}]	*NOT available in DP
195	4.0000	PC			RESISTOR;LEAD WIRE;10Kohm;5%;CARBON;3W	[SPS1000:2: {4.0}{R4,R6,R9-R10}]	*NOT available in DP
196	2.0000	PC			RESISTOR;CEMENT;0ohm10;5%;5W;LEAD WIRE;RADIAL;PITCH:5mm;PRECUT:3mm1+/-0mm5	[SPS1000:2: {2.0}{R1-R2}]	*NOT available in DP
197	1.0000	PC			RESISTOR;METAL;39ohm;1%;0W5;LEAD WIRE	[SPS1000:2: {1.0}{R13}]	*NOT available in DP
198	2.0000	PC			RESISTOR;WIREWOUND;22ohm;5%(VITRohm KVV310-3 22R 5%);10W;LEAD WIRE;CASE:CERAMIC;PITCH:5mm;PRECUT:7mm	[SPS1000:2: {2.0}{R11-R12}]	*NOT available in DP
199	2.0000	PC			RESISTOR;WIREWOUND;22ohm;5%(VITRohm KVV310-3 22R 5%);10W;LEAD WIRE;CASE:CERAMIC;PITCH:5mm;PRECUT:7mm		*NOT available in DP
200	2.0000	PC			RESISTOR;WIREWOUND;10ohm;5%(VITRohm KVV310-3 10R 5%);10W;LEAD WIRE;CASE:CERAMIC;PITCH:5mm;PRECUT:7mm	[SPS1000:2: {2.0}{R11-R12}]	*NOT available in DP
201	1.0000	PC			RESISTOR;METAL;39ohm;1%;0W5;LEAD WIRE	[SPS1000:2: {1.0}{R13}]	*NOT available in DP
202	1.0000	PC			RESISTOR;CARBON;22ohm;5%;0W5;LEAD WIRE		*NOT available in DP

### Encoder

	Quantity	Unit	S.Sku	M.Sku	Description	Reference Designators	Notes
1	1.0000	PC	Y32-32430-24605	I32-92430-02704	ENCODER;12mm;DETENTS:24;PULSES:24;30mm;W/SWITCH;NO NUT/WASHER;(POLYSHINE F-12E55H24B-P+C L30FX12(O))	[P0565:1: {1.0}{SW21}]	

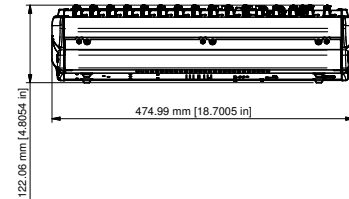
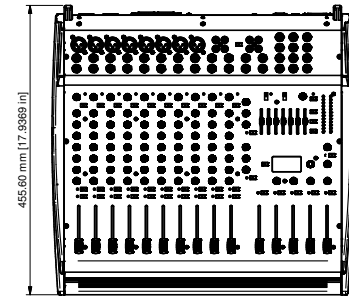
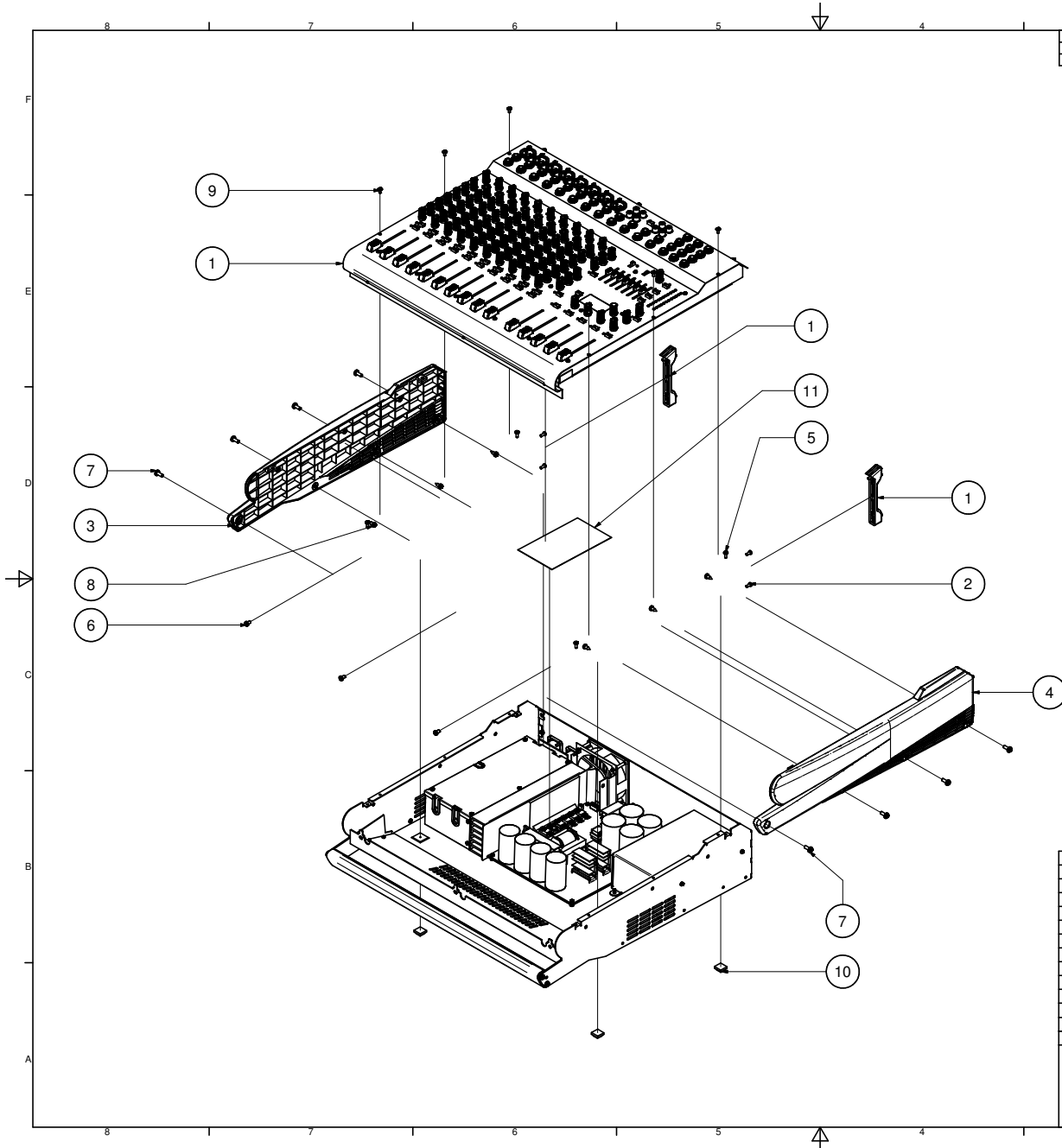
**Switch**

	<b>Quantity</b>	<b>Unit</b>	<b>S.Sku</b>	<b>M.Sku</b>	<b>Description</b>	<b>Reference Designators</b>	<b>Notes</b>
1	33.0000	PC	Y77-03422-02778	I77-03422-02778	SWITCH;RADIAL;2P2T;PCB VERSION;LOCKING;NONSHORT;RAD2P	[P0565:1: {33.0}{SW1,SW4-SW15,SW23- SW30,SW33-SW36,SW38-SW45}]	
2	10.0000	PC	Y77-03442-02780	I77-03442-02780	SWITCH;RADIAL;4P2T;PCB VERSION;LOCKING;NONSHORT;RAD4P	[P0565:1: {10.0}{SW16-SW19,SW22,SW31- SW32,SW37,SW46-SW47}]	
3	1.0000	PC	Y77-03822-02779	I77-03822-02779	SWITCH;RADIAL;2P2T;PCB VERSION;NONLOCK;NONSHORT;RAD2P/NON	[P0565:1: {1.0}{SW20}]	
4	1.0000	PC	Y86-00023-17512	I86-00023-17512	SWITCH;SLIDE;2P3T;PCB VERSION;LOCKING;NONSHORT;SS-23E01G7	[P0565:1: {1.0}{SW3}]	
5	1.0000	PC	Y86-00422-24607	I86-00422-24607	SWITCH;SLIDE;2P2T;PCB VERSION;LOCKING;NONSHORT;SS-22J12 G7 NS	[P0565:1: {1.0}{SW2}]	
6	1.0000	PC	Y91-02412-22761	I91-02412-22761	SWITCH;PUSH;1P2T;PCB VERSION;LOCKING;NONSHORT;WELL LONG;PS3- 22SPA-P9DZ	[SPS1000:1: {1.0}{SW1}]	

## Transistor

	Quantity	Unit	S.Sku	M.Sku	Description	Reference Designators	Notes
1	16.0000	PC			TRANSISTOR;TO92_TAPE;PITCH:2.54;3;2SA970GR-TR		*NOT available in DP
2	2.0000	PC			TRANSISTOR;BD239C;TO220	[SPS1000:2: {2.0}(T7-T8)]	*NOT available in DP
3	16.0000	PC			TRANSISTOR;2SA970-GR;TAPING;P:2.54MM;TO92	[P0565:1: {16.0}(T1-T16)]	*NOT available in DP
4	2.0000	PC			TRANSISTOR;IRFP250N;INTERNATIONAL RECTIFIER;TO247AC	[HCA2400:04: {2.0}(T24-T25)]	*NOT available in DP
5	4.0000	PC			TRANSISTOR;MOSFET;IRF9640;TO220AB;IR	[HCA2400:04: {4.0}(T20-T23)]	*NOT available in DP
6	2.0000	PC			TRANSISTOR;2SA1020Y;PNP;50V;2A;TO-92MOD;TOSHIBA	[SPS1000:2: {2.0}(T1,T5)]	*NOT available in DP
7	2.0000	PC			TRANSISTOR;2SC2655Y;NPN;50V;2A;TO-92MOD;TOSHIBA	[SPS1000:2: {2.0}(T2,T6)]	*NOT available in DP
8	58.0000	PC			TRANSISTOR;BC846B;SOT;SMD	[PMH3000:1: {47.0}(T38-T41,T44-T59,T61-T67,T79-T98)]	*NOT available in DP
9	5.0000	PC			TRANSISTOR;BC856B;SOT;SMD	[PMH3000:1: {1.0}(T60)]	*NOT available in DP
10	18.0000	PC			TRANSISTOR;MBTA06;SOT	[PMH3000:1: {16.0}(T22-T37)]	*NOT available in DP
11	2.0000	PC			TRANSISTOR;MBTA42;SOT	[HCA2400:04: {2.0}(T1-T2)]	*NOT available in DP
12	15.0000	PC			TRANSISTOR;MBTA56;SOT	[PMH3000:1: {13.0}(T42-T43,T68-T78)]	*NOT available in DP
13	1.0000	PC			TRANSISTOR;MPSA92;TO-92;TAPING	[P0565:1: {1.0}(T17)]	*NOT available in DP
14	6.0000	PC			TRANSISTOR;MBTA92;SOT	[HCA2400:04: {6.0}(T9,T11-T12,T15-T17)]	*NOT available in DP
15	2.0000	PC			TRANSISTOR;SST112;SOT	[HCA2400:04: {2.0}(T7-T8)]	*NOT available in DP
16	4.0000	PC			TRANSISTOR;J113;TO92	[P0565:1: {4.0}(T18-T21)]	*NOT available in DP
17	2.0000	PC			TRANSISTOR;IGBT;1MBK50D-060SN;600V;65A;TO247;FUJI	[SPS1000:2: {2.0}(T3-T4)]	*NOT available in DP
18	2.0000	PC			TRANSISTOR;FET;ZVP3310F;100V;ZETEX;SOT-23	[HCA2400:04: {2.0}(T3,T5)]	*NOT available in DP

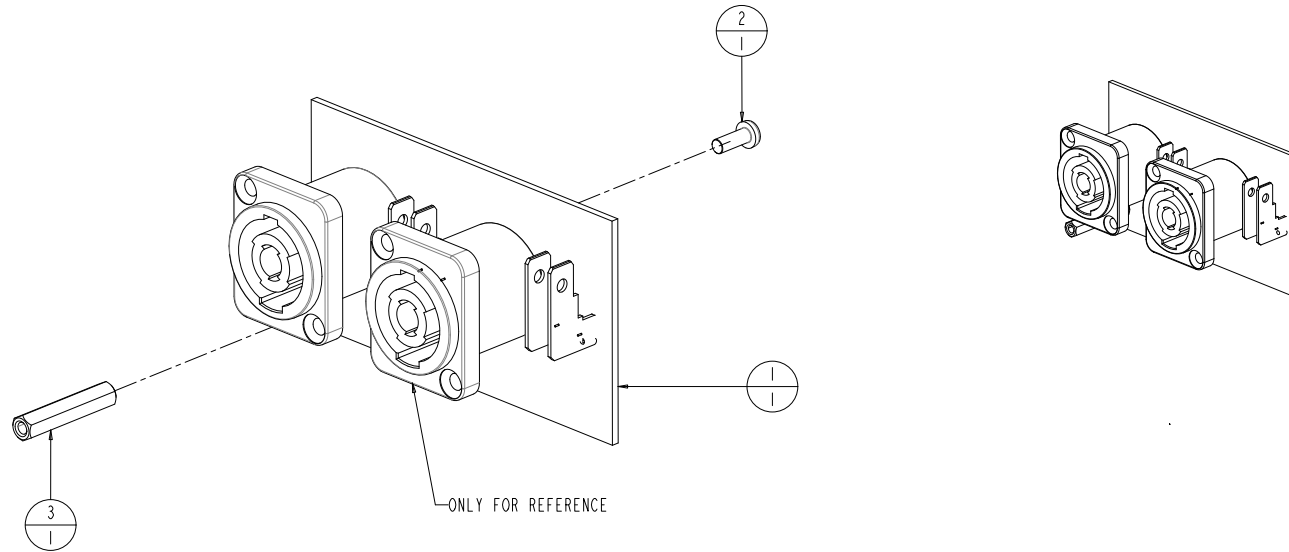
REVISION HISTORY				
REV	DESCRIPTION	DATE	REVISED	APPROVED
A	DRAWING UPDATED	2014-01-22	CM ILAPAN	J.BLANCO



ITEM	ITEM NUMBER	QTY	ITEM CODE	CONSTRUCTION NO.
11	F90-00200-14163	1	PLA-SPSUFOIL2	022-02000-00567
10	G51-01200-01762	4	PLA-PLAFOOT	022-00000-19373
9	F88-30060-40297	6	SC-M03*06-04-B-ZP-BLK[R]	
8	F99-40007-15333	6	SC-A04*10-03-B-ZP-BLK[R]	
7	F88-40100-20297	8	SC-M04*10-02-B-ZP-BLK[R]	
6	F88-40060-30297	3	SC-M04*06-03-B-ZP-BLK[R]	
5	F88-30080-20297	4	SC-M03*08-02-B-ZP-BLK[R]	
4	G56-00600-02933	1	PLA-PMX3000/SIDEPANEL_RIGHT[R]	022-02000-25733
3	G56-00500-02932	1	PLA-PMX3000/SIDEPANEL_LEFT[R]	022-02000-24110
2	F88-30070-30297	4	SC-M03*07-03-B-ZP-BLK[R]	
1	G58-00200-00225	2	PLA-PMX3000/BACKFOOTPAD[R]	022-02000-24108

MECHANICAL PARTS LIST			
PROJECT:	J.BARCELON	DESCRIPTION:	
PO565	CHECKED:	MAIN ASSEMBLY	
MATERIAL:	J.BARCELON	SIZE:	DRAWING NUMBER:
N/A	APPROVED:	A2	014-56513-83701
FINISH:	H.GOLEZ	SCALE:	N T S
N/A	DATE:	SHEET 1 OF 1	
	3/15/2006		

REVISION HISTORY					
REV	EC/ECN	DESCRIPTION	DATE	REVISED	APPROVED
A		DRAWING RELEASED		KENT XU	



**RELEASED  
FOR PRODUCTION**

NOTE: UNLESS OTHERWISE SPECIFIED

1. ASSEMBLY AS PER DESIGN REQUIREMENT.
2. THE DRAWING IS FOR REFERENCE ONLY.
3. DETAIL REFER TO THE BOM AND DRAWING OF INDIVIDUAL PART.
4. SCREW LOCK GLUE MUST BE ADDED ON ALL SCREW HEAD & NUT INSIDE THE UNIT.
5. ALL PARTS MUST COMPLY WITH RoHS REQUIREMENTS.

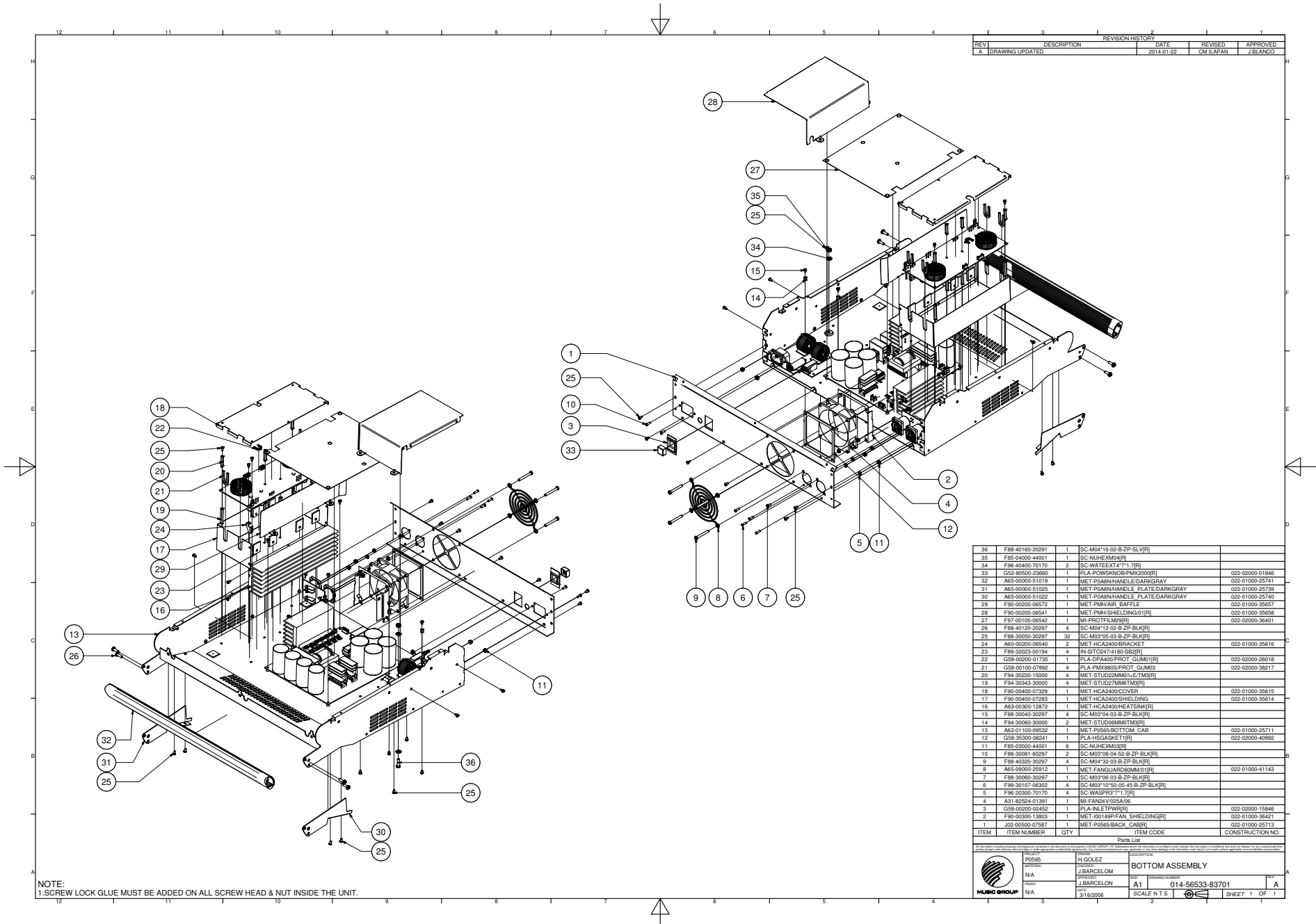
6. BALLOON MEANING: 

A
B

 A: ITEM  
B: QUANTITY

3	F94-30242-30000	I	MET-STUD24MM2TM3(R)				
2	F88-30080-30297	I	SC-M03408-03-B-ZP-BLK(R)				
1	A05-56506-10277	I	PCBA-PMU/OUTPUT/P0565/B/H(R)				
ITEM	ITEM NUMBER	QTY	ITEM CODE	CONSTRUCTION NUMBER	REMARKS		
PARTS LIST							
PROJECT / MODEL: P0565		ITEM CODE: DRA-ASSEMBLY/PMX3000/SET-VI		<b>BEHRINGER</b>			
		LAYER IN BOM: A04-56500-10276		<small>All information (including drawings and diagrams) contained in this document is the property of BEHRINGER. Information shown in this information is provided for your reference. You are not allowed to copy, reproduce, or disseminate this information without the prior written permission of BEHRINGER. Any unauthorized use or distribution of this information shall result in civil and/or criminal liability. Please use responsibly.</small>			
DRAWN YANG XIA 2005-09-06		CHECKED CW.WONG 2005-09-06		APPROVED CW.WONG 2005-09-06		FILENAME: P0565_OUTPCB_ASM_EXP  SIZE: A2 CONSTRUCTION NO.: 014-22963-62001 ITEM NO.: REV. A SHEET 1 OF 1	
				SCALE: NTS UNIT: mm SHEET 1 OF 1			





REVISION HISTORY		DATE	REVISED	APPROVED
REV	DESCRIPTION			
A	DRAWING UPDATED	2014-01-22	CM ILAPAN	J.BLANCO

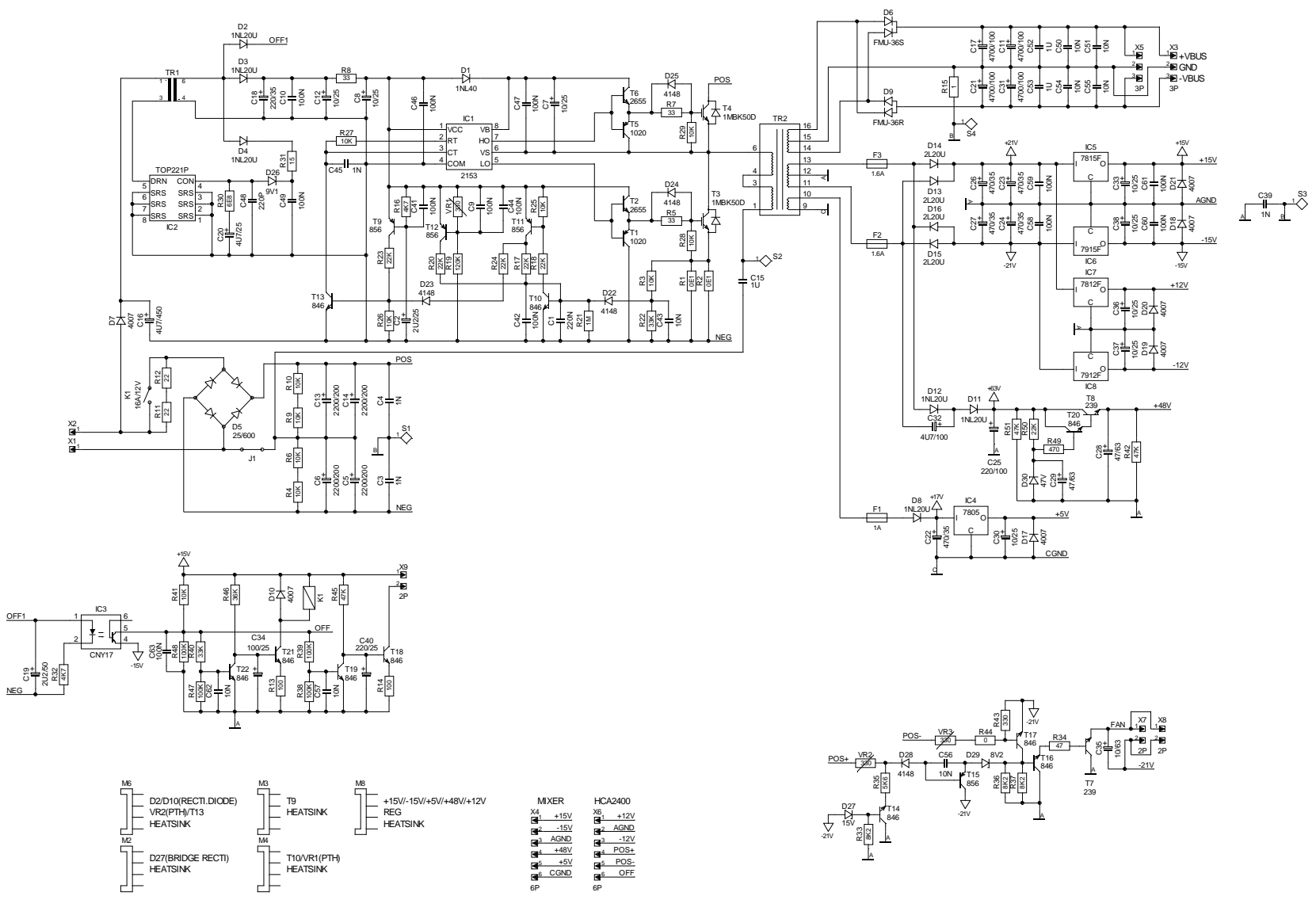
ITEM	ITEM NUMBER	QTY	ITEM CODE	CONSTRUCTION NO.
36	F88-40160-20291	1	SC-M04*16-02-B-ZP-SLV[R]	
35	F85-04000-44001	1	SC-NJHEXM04[R]	
34	F88-04000-70170	2	SC-WASPR3*71*7[R]	
33	G52-02500-23660	1	PLA-POWSKNOB/PMX200[R]	022-02000-01846
32	A65-00000-51019	1	MET-POAINHANDLE/DARKGRAY	022-01000-25741
31	A65-00000-51025	1	MET-POAINHANDLE PLATE/DARKGRAY	022-01000-25739
30	A65-00000-51022	1	MET-POAINHANDLE PLATE/DARKGRAY	022-01000-25740
29	F90-00200-06572	1	MET-PMH/AIR BAFFLE	022-01000-35657
28	F90-00200-06541	1	MET-PMH/SHIELDING01[R]	022-01000-35658
27	F90-00100-06548	1	M-PROT/TL/M03[R]	022-02000-36491
26	F88-40120-20297	4	SC-M04*12-02-B-ZP-BLK[R]	
25	F88-30050-30297	32	SC-M03*05-03-B-ZP-BLK[R]	
24	A63-00200-08540	2	MET-HCA2400-BRACKET	022-01000-35616
23	F88-30020-00184	4	IN-STD04*14-H6-SB[R]	
22	G58-00200-01735	1	PLA-DPA400/PROT GLUM01[R]	022-02000-26018
21	G58-00100-07892	4	PLA-PMX880/SP/PROT GLUM03	022-02000-38217
20	F84-30220-15000	4	MET-STUD2MM/6V/TM03[R]	
19	F84-30343-30000	4	MET-STUD2MM/6V/TM3[R]	
18	F90-00400-07329	1	MET-HCA2400 COVER	022-01000-35615
17	F90-00400-07283	1	MET-HCA2400 SHIELDING	022-01000-35614
16	A63-00000-12912	1	MET-HCA2400 HEATSINK[R]	
15	F88-30040-30297	4	SC-M03*04-03-B-ZP-BLK[R]	
14	F84-30080-30000	2	MET-STUD06MM/6V/TM3[R]	
13	A63-01100-09532	1	MET-P0665-BOTTOM CAB	022-01000-25711
12	G58-35300-06241	1	PLA-HSGASKET1[R]	022-02000-40592
11	F85-03000-44001	6	SC-NJHEXM03[R]	
10	F88-30081-60297	2	SC-M03*08-04-B-ZP-BLK[R]	
9	F88-40020-30297	4	SC-M04*02-03-B-ZP-BLK[R]	
8	A65-05000-25912	1	MET-FANGUARD/80MM/01[R]	022-01000-41143
7	F88-30080-30297	1	SC-M03*08-03-B-ZP-BLK[R]	
6	F88-30107-06292	4	SC-M03*10-05-05-B-ZP-BLK[R]	
5	F86-20300-70170	4	SC-WASPR3*71*7[R]	
4	A31-82524-01391	1	M-FAN3AV025A06	
3	G58-00200-02482	1	PLA-INLET/PWR[R]	022-02000-15846
2	F90-00300-13923	1	MET-100149P-FAN SHIELDING[R]	022-01000-36421
1	J02-00500-07587	1	MET-P0665-BACK CAB/R	022-01000-25713

NOTE:  
1.SCREW LOCK GLUE MUST BE ADDED ON ALL SCREW HEAD & NUT INSIDE THE UNIT.

		H.GOLEZ J.BARCELON A1 014-56533-83701 SCALE N T S SHEET 1 OF 1	
POS65 NA NA 9/16/2008		BOTTOM ASSEMBLY 014-56533-83701 SCALE N T S SHEET 1 OF 1	



We Hear You



- M6 D2/D1 (RECT. DIODE)
- M7 VR2 (PTH)/T13 HEATSINK
- M8 T9 HEATSINK
- M9 +15V/-15V/+5V/+48V/+12V HEATSINK
- M10 D27 (BRIDGE RECT.) HEATSINK
- M11 T10/VR1 (PTH) HEATSINK

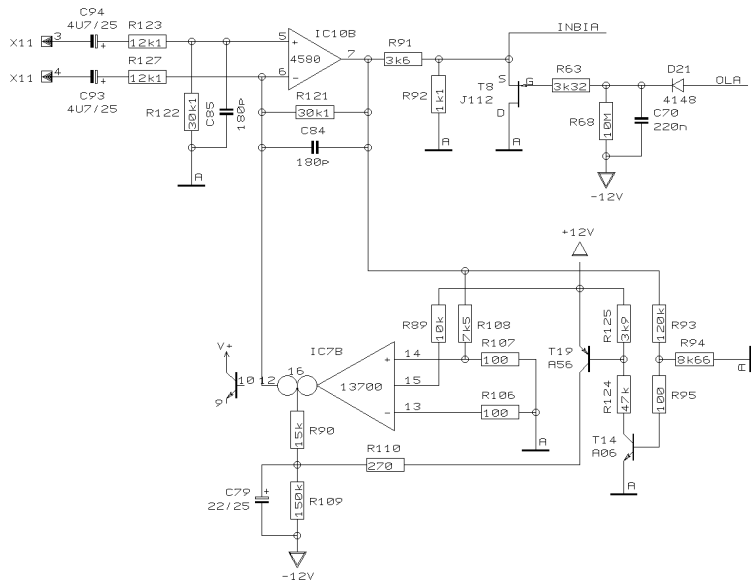
- MIXER HCA2400
- X1 +15V
- X2 -15V
- X3 AGND
- X4 +48V
- X5 +5V
- X6 POS.
- X7 C.GND
- X8 OFF

ALL INFORMATION (INCLUDING DRAWINGS AND DIAGRAMS) CONTAINED IN THIS DOCUMENT IS THE PROPERTY OF BEHRINGER. ADDRESSEES WHOM THE INFORMATION IS CONFIDED TO SHALL MAINTAIN THE INFORMATION IN CONFIDENCE AND SHALL NOT RELEASE IT TO ANY UNAUTHORIZED THIRD PARTIES (EXCEPT UNDER ATTORNEY CLIENT PRIVILEGE OR UNDER APPROPRIATE CONFIDENTIALITY AGREEMENTS). ANY UNAUTHORIZED DISCLOSURE, USE, APPLICATION OR ANY OTHER DEALINGS IN THE INFORMATION SHALL RESULT IN CIVIL AND/OR (WHERE APPLICABLE) CRIMINAL LIABILITIES AND PENALTIES.

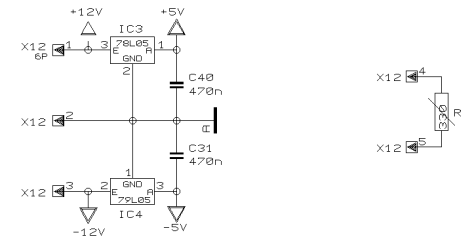
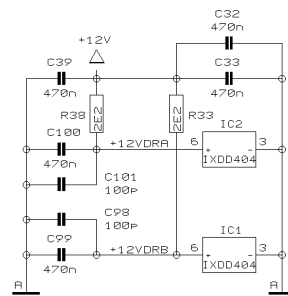
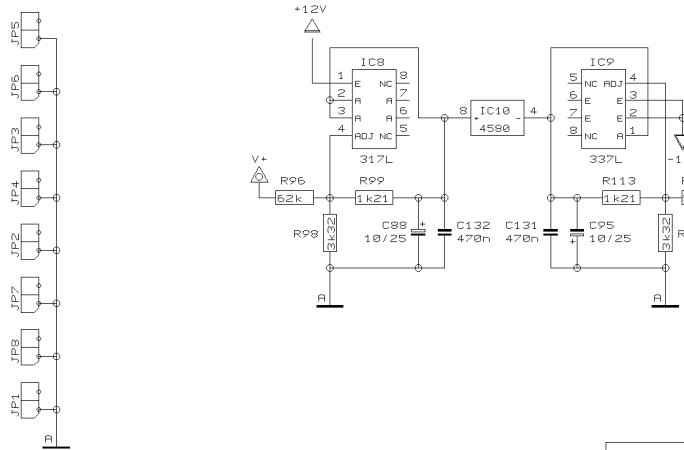
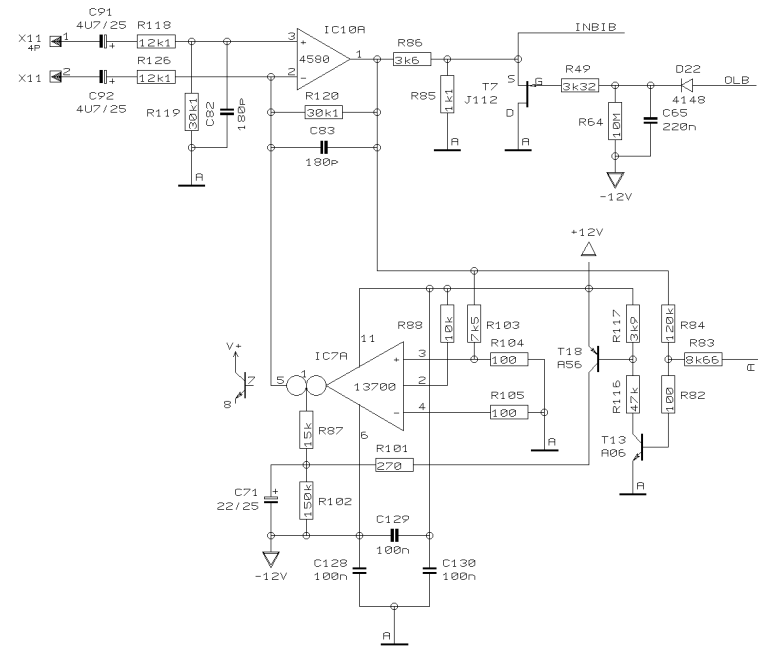
REV	CHANGES	DATE	INT	FILE:	DATE	NAME
C	MODIFIED	151205	SASA		2010/04	L.RAMOS
B	MODIFIED	190405	SASA			
A	CREATED	201004	LR			
EV	CHANGES			FILE: sps1000_2		

SPS1000		SHEET 1 OF 1
SCHEMATIC		
MAIN		

INPUT A



INPUT B



REVISIONS F (08/05/06)

DRAWN SASA

CHECKED

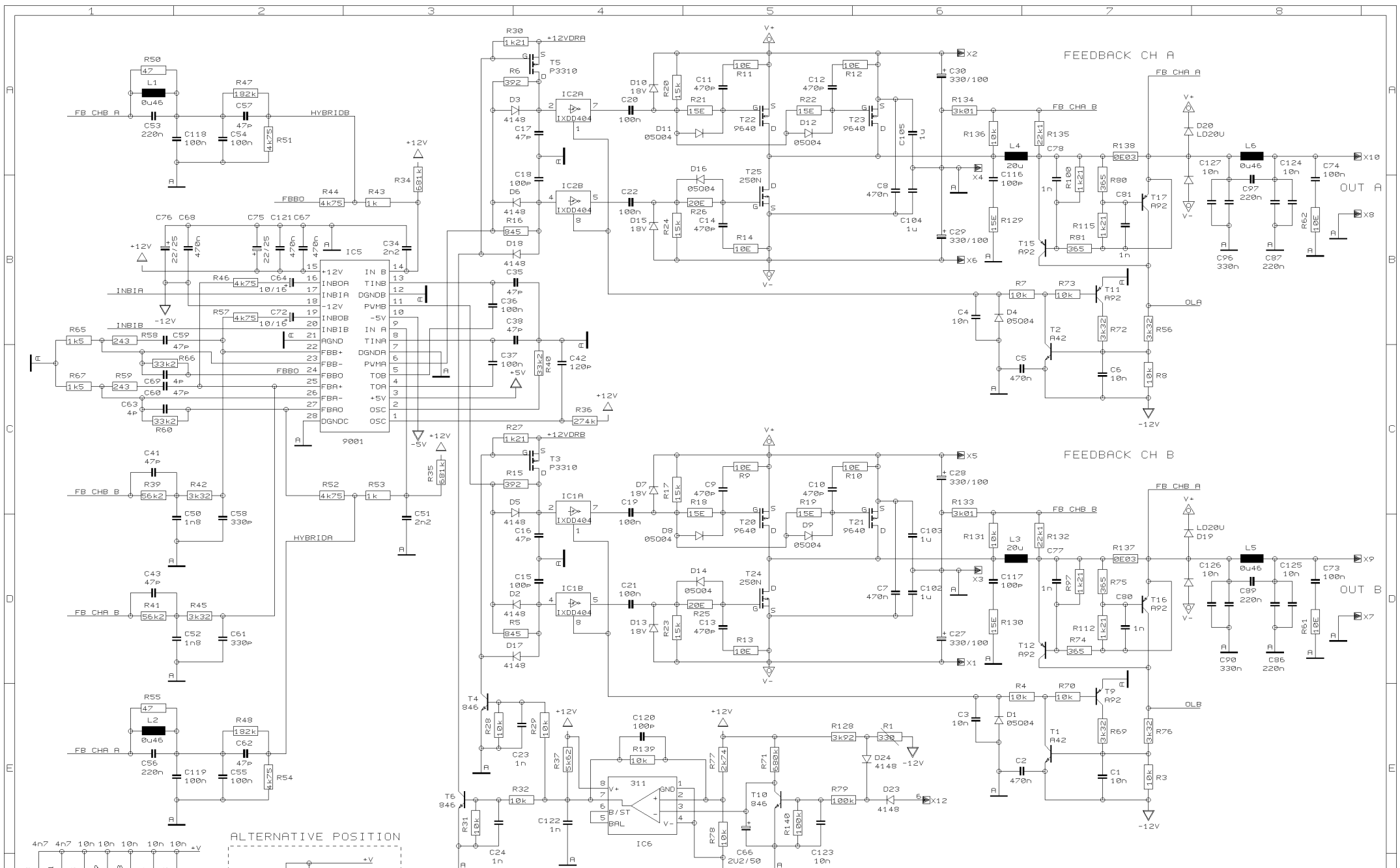
DATE 30.06. 6  
14:08

BEHRINGER®

Specialized Studio Equipment

PROJECT HCA2400  
DIGITAL POWER  
AMPLIFIER 2 x 400W

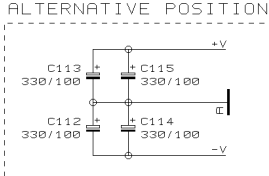
SHEET 1 OF 2 SHEETS TOTAL

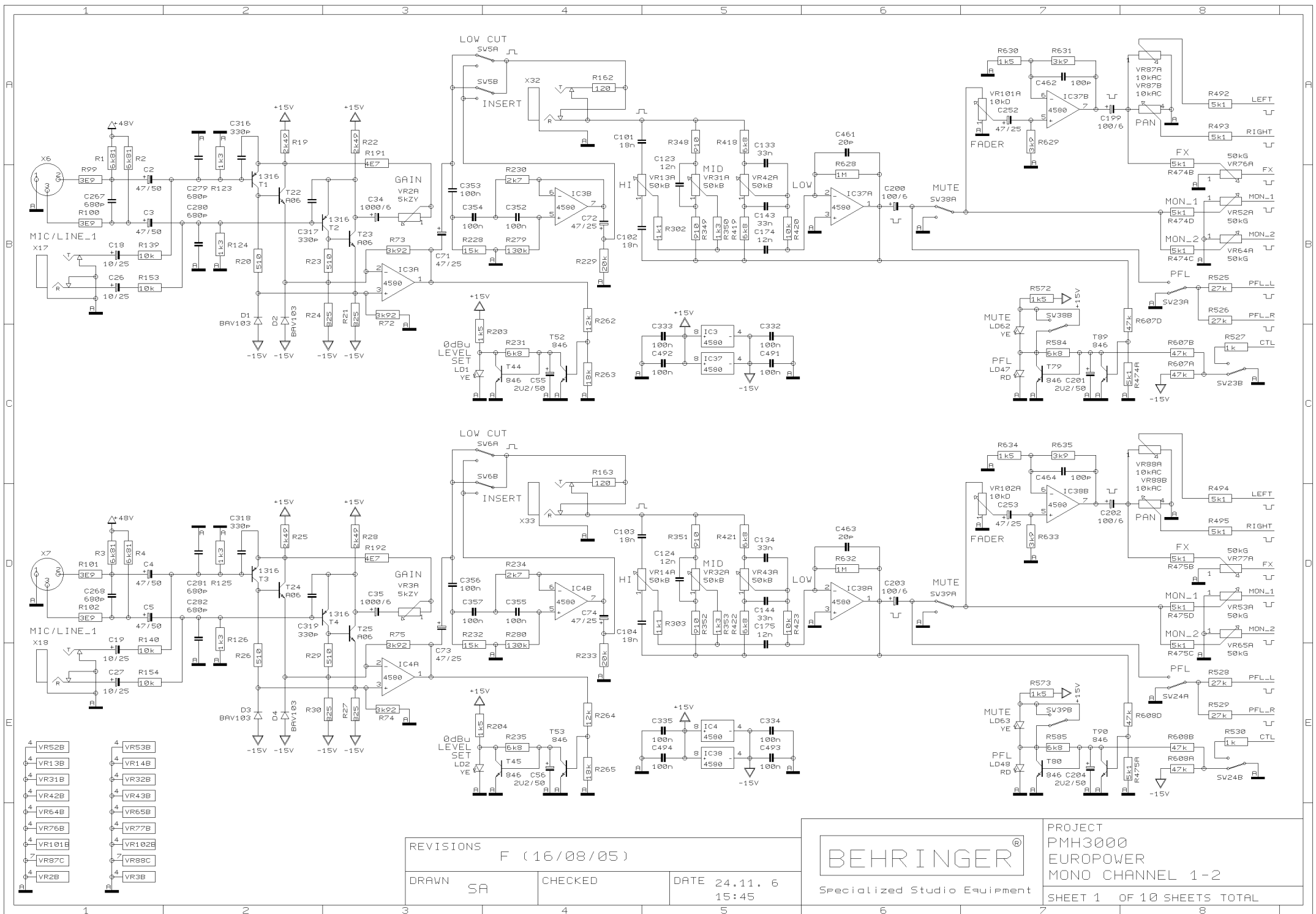


REVISIONS	F
DRAWN	SASA
CHECKED	
DATE	30.06. 6 14:08

**BEHRINGER**  
Specialized Studio Equipment

PROJECT  
HCA2400  
DIGITAL POWER  
AMPLIFIER 2 x 400W  
SHEET 2 OF 2 SHEETS TOTAL



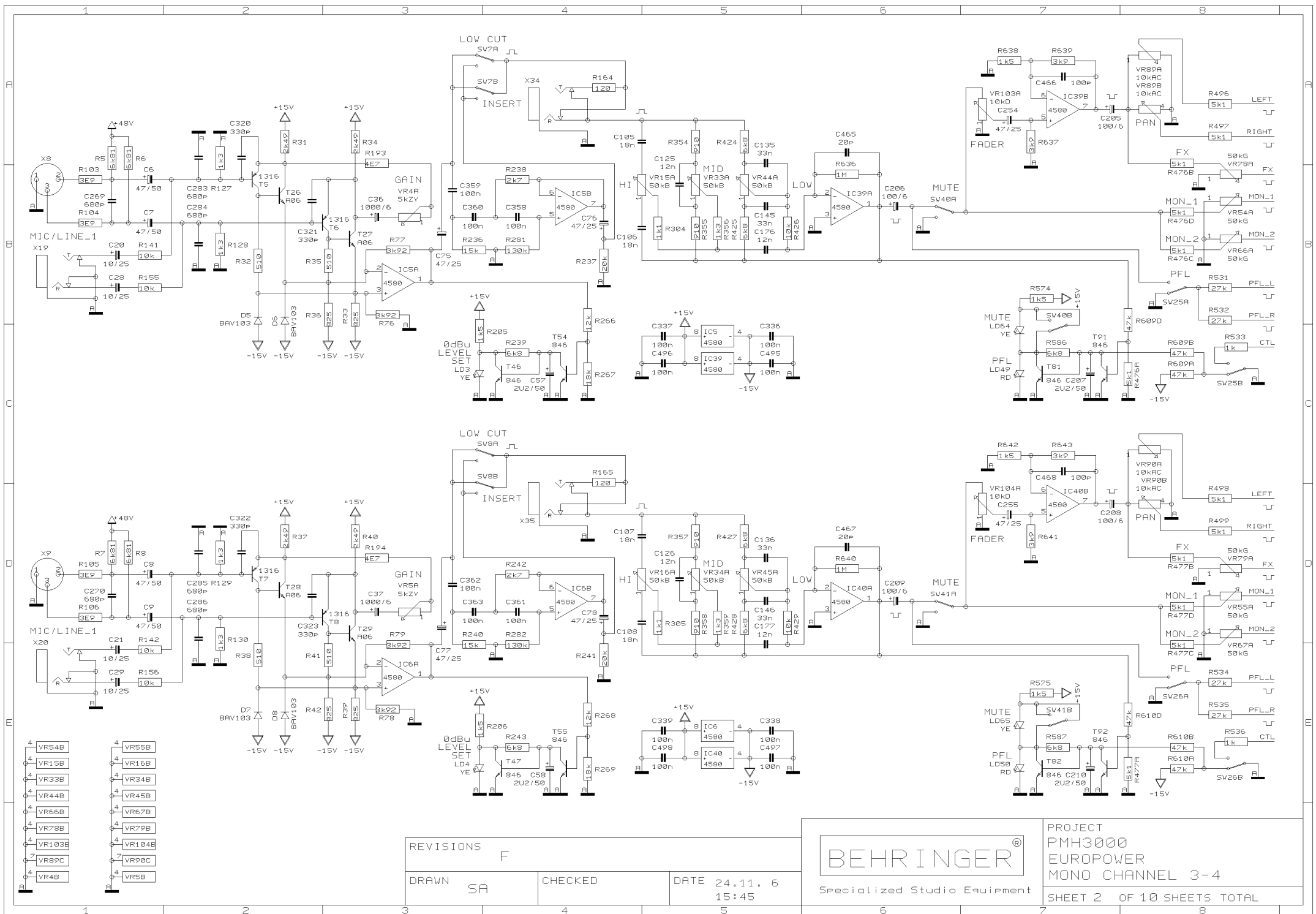


REVISIONS F (16/08/05)

DRAWN SA CHECKED DATE 24.11. 6 15:45



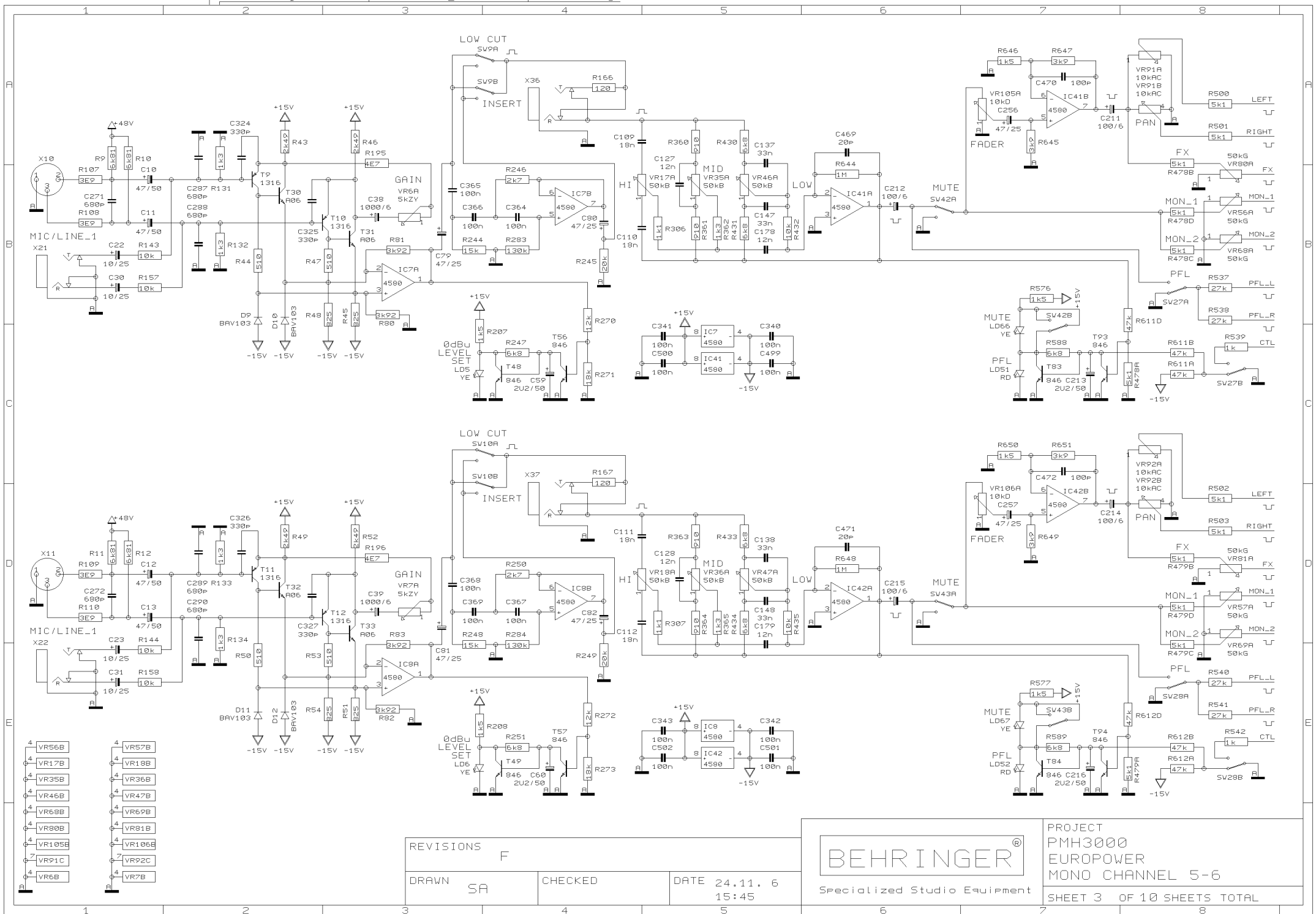
PROJECT PMH3000 EUROPOWER MONO CHANNEL 1-2 SHEET 1 OF 10 SHEETS TOTAL



REVISIONS	F		
DRAWN	SA	CHECKED	DATE 24.11. 6 15:45



PROJECT  
PMH3000  
EUROPOWER  
MONO CHANNEL 3-4  
SHEET 2 OF 10 SHEETS TOTAL



REVISIONS F

DRAWN SA

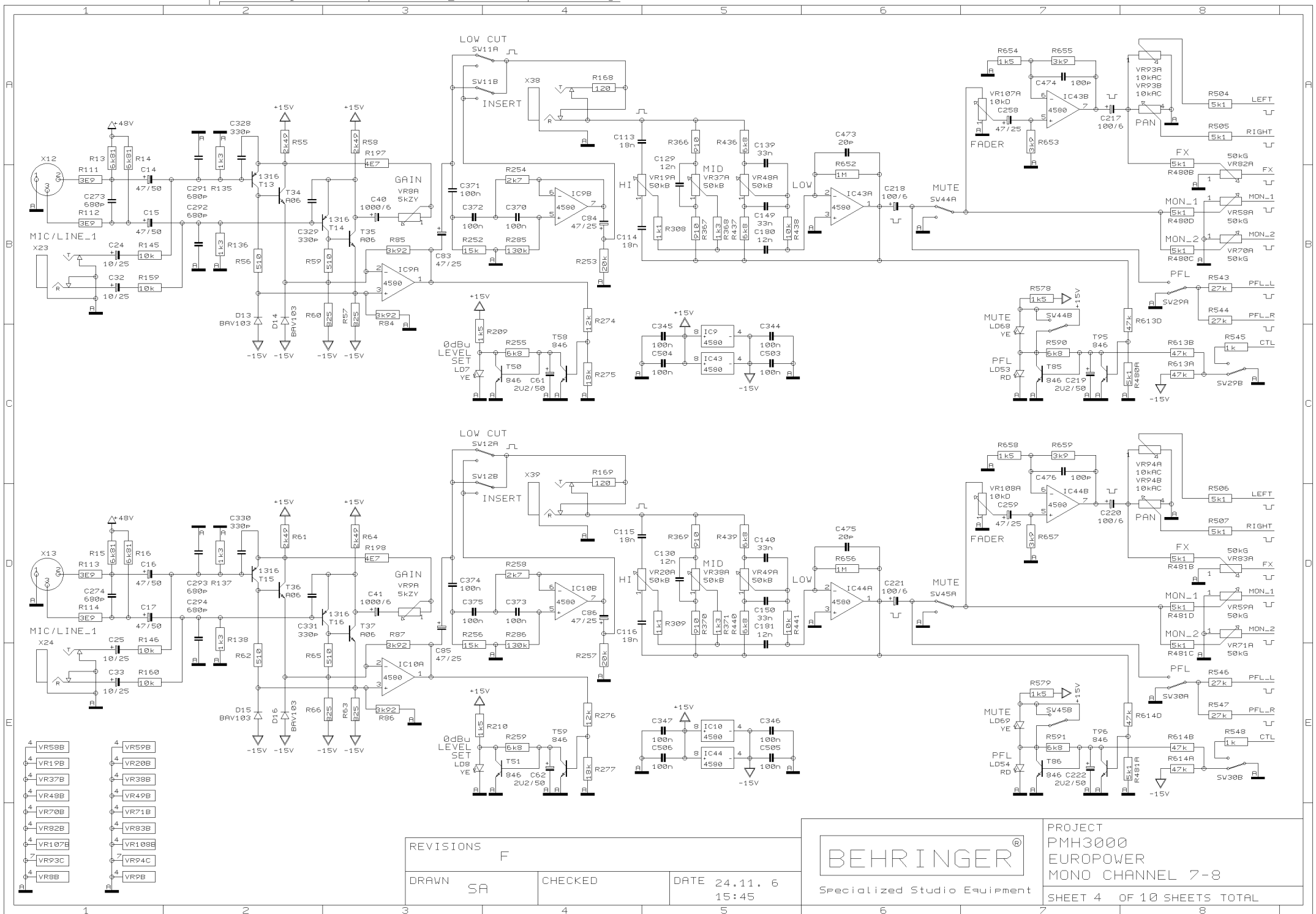
CHECKED

DATE 24.11. 6  
15:45



PROJECT  
PMH3000  
EUROPOWER  
MONO CHANNEL 5-6  
SHEET 3 OF 10 SHEETS TOTAL

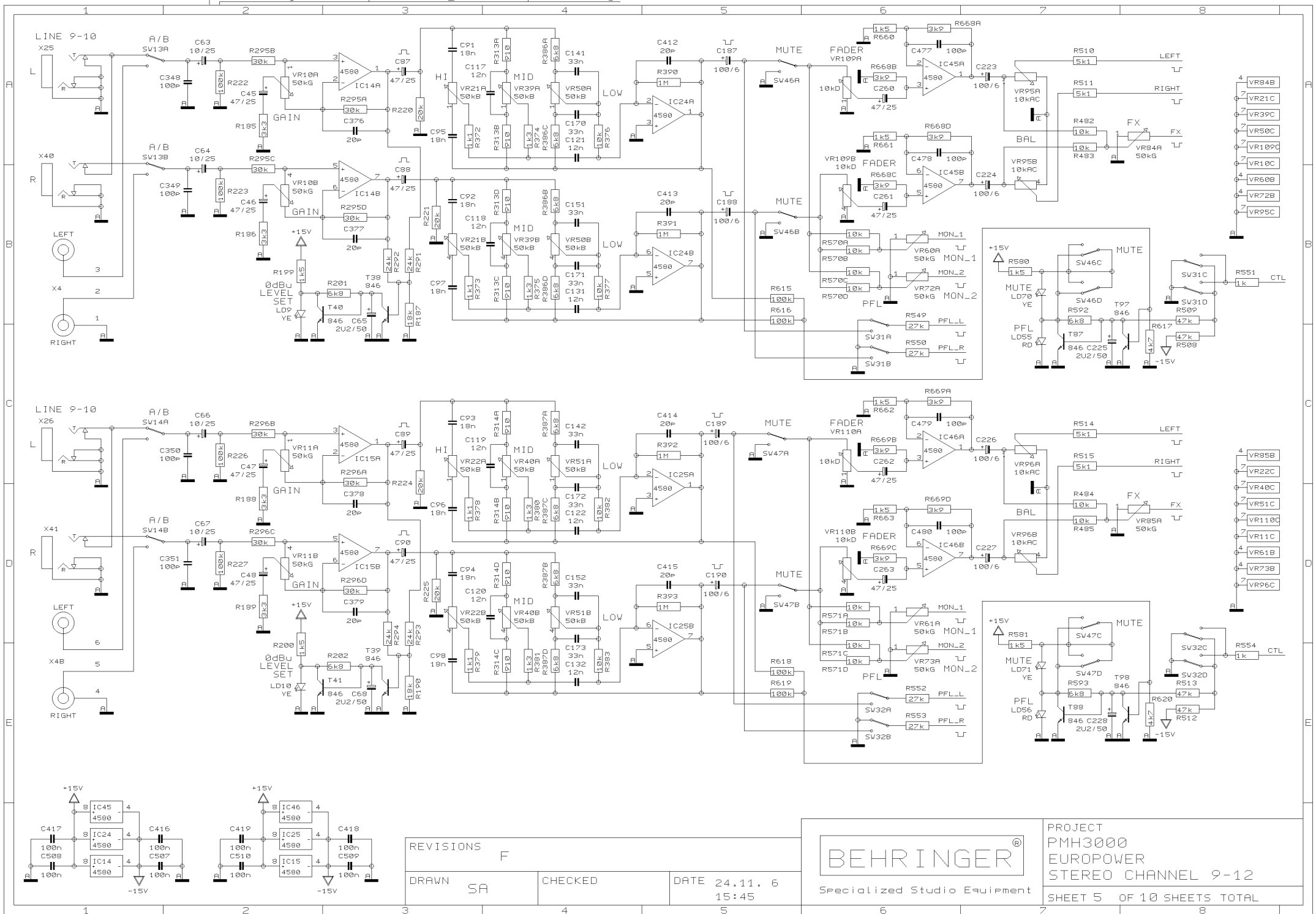




REVISIONS	F		
DRAWN	SA	CHECKED	DATE 24.11. 6 15:45



PROJECT  
 PMH3000  
 EUROPOWER  
 MONO CHANNEL 7-8  
 SHEET 4 OF 10 SHEETS TOTAL



REVISIONS F

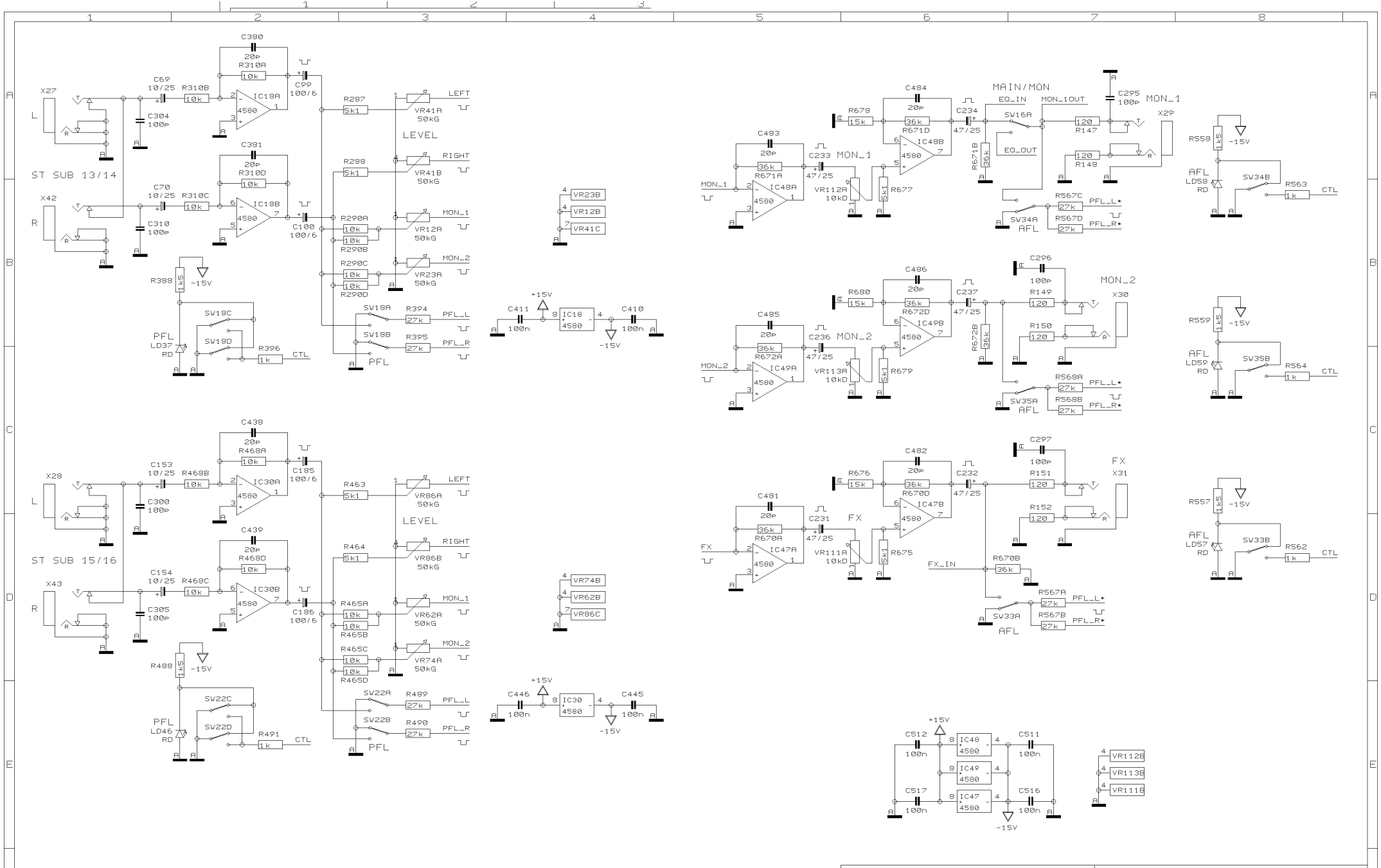
DRAWN SA

CHECKED

DATE 24.11. 6  
15:45



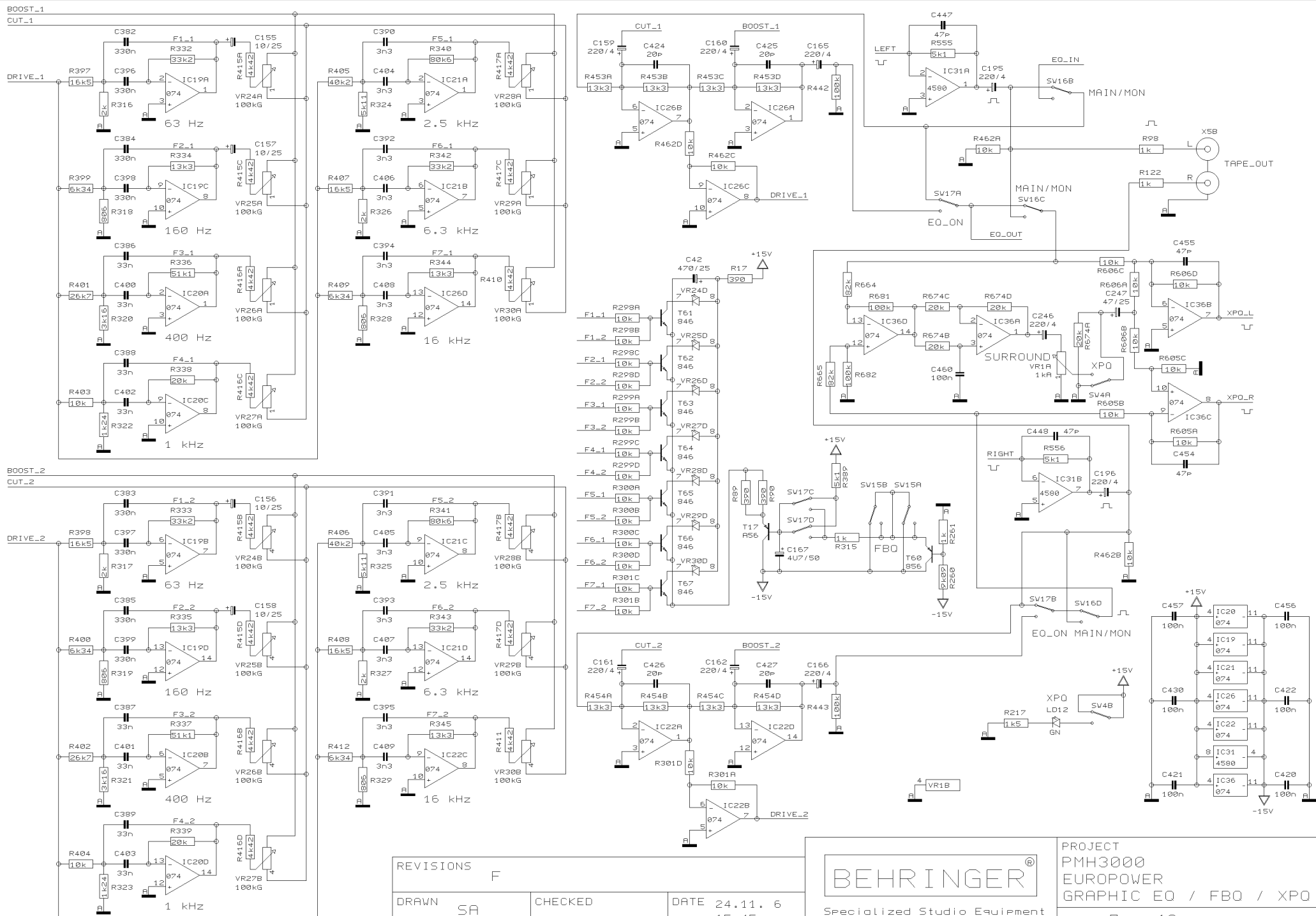
PROJECT  
PMH3000  
EUROPOWER  
STEREO CHANNEL 9-12  
SHEET 5 OF 10 SHEETS TOTAL



REVISIONS		F	
DRAWN	SA	CHECKED	
DATE		24.11. 6	
		15:45	



PROJECT  
 PMH3000  
 EUROPOWER  
 ST SUBS / MON, FX OUTS  
 SHEET 6 OF 10 SHEETS TOTAL



REVISIONS F

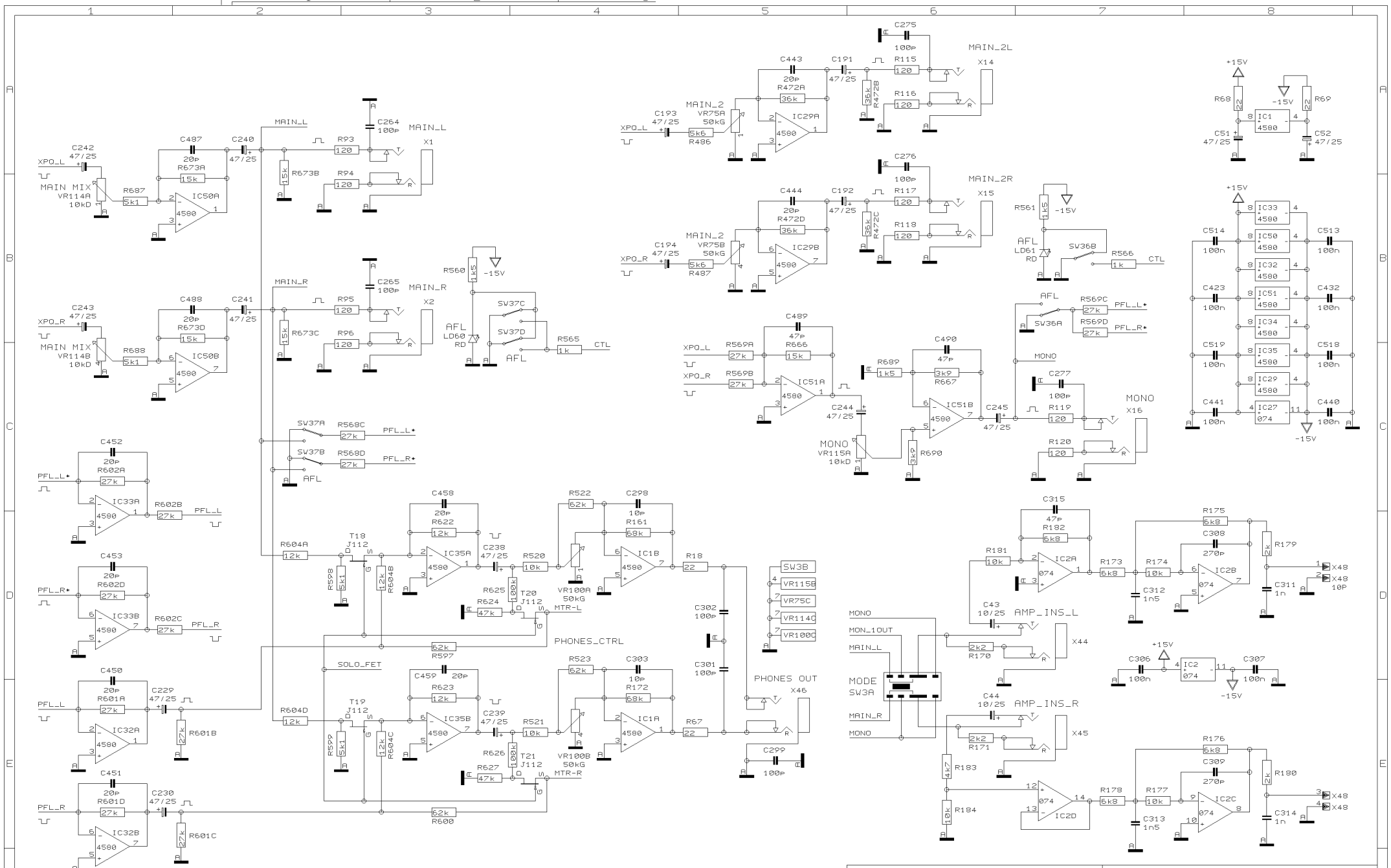
DRAWN SA

CHECKED

DATE 24.11.6  
15:45



PROJECT  
PMH3000  
EUROPOWER  
GRAPHIC EQ / FBO / XPO  
SHEET 7 OF 10 SHEETS TOTAL



REVISIONS F

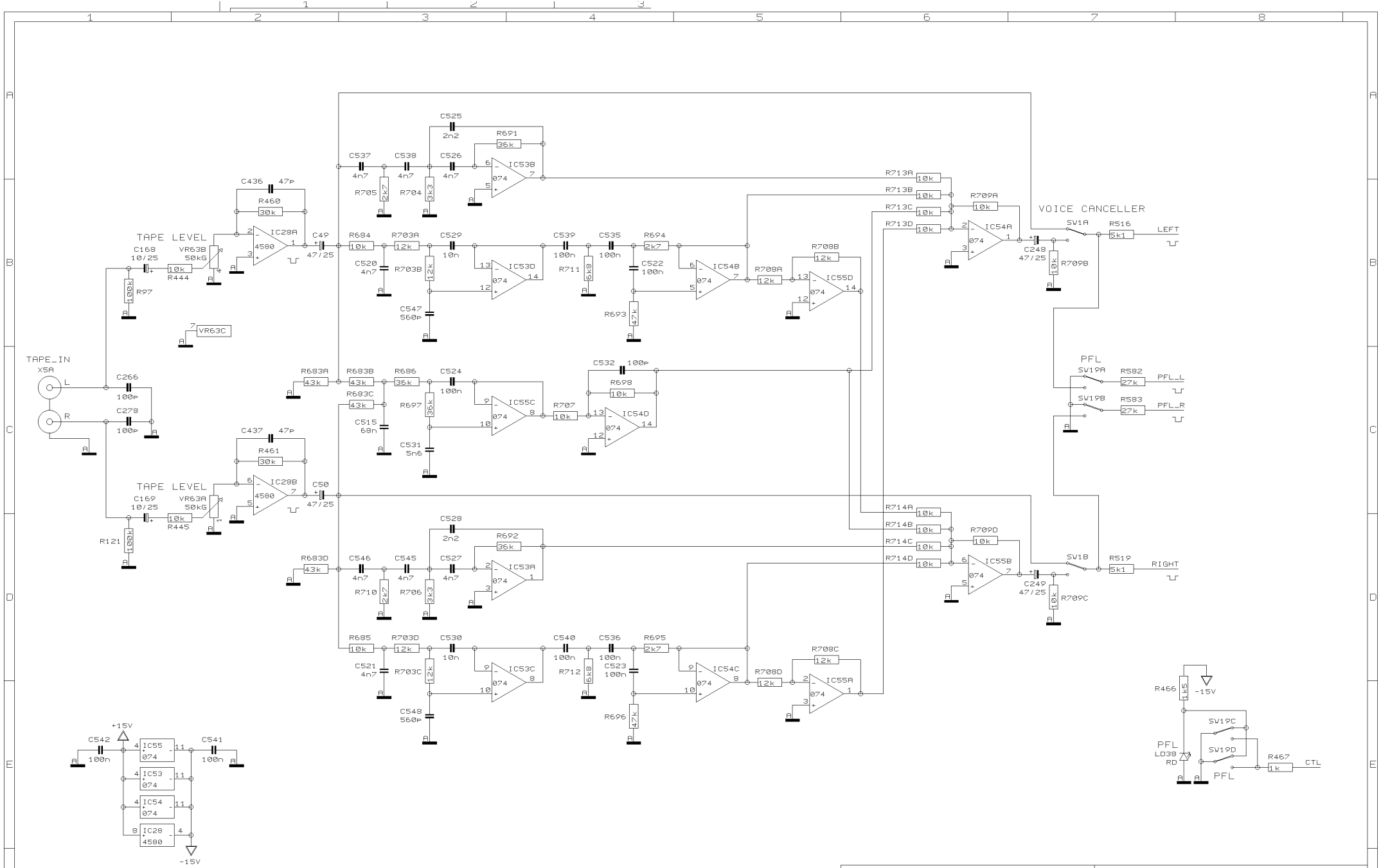
DRAWN SA

CHECKED

DATE 24.11. 6  
15:46



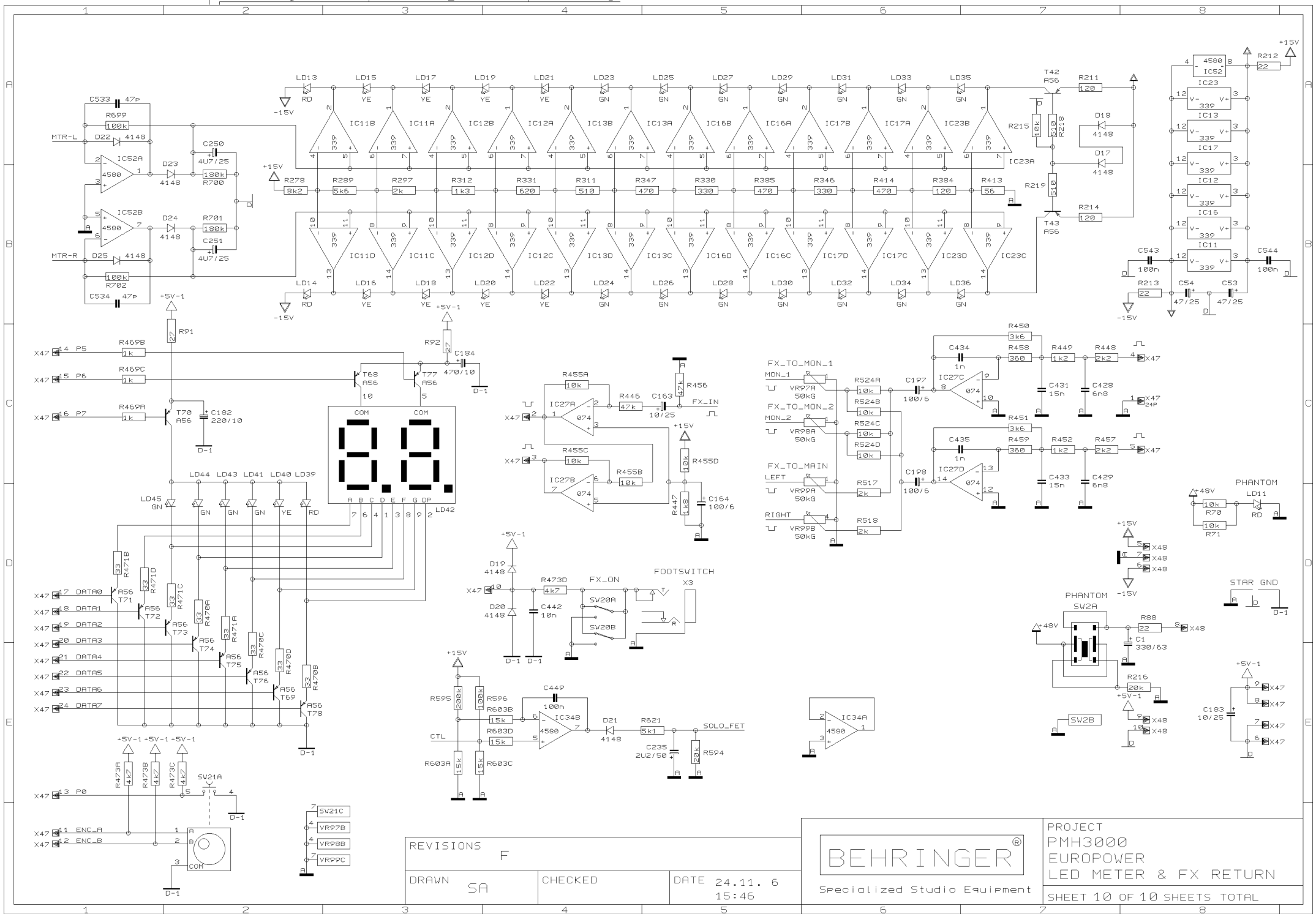
PROJECT  
PMH3000  
EUROPOWER  
MAIN SECTION  
SHEET 8 OF 10 SHEETS TOTAL



REVISIONS		F	
DRAWN	SA	CHECKED	DATE 24.11. 6 15:46

  
 Specialized Studio Equipment

PROJECT  
 PMH3000  
 EUROPOWER  
 VOICE CANCELLER  
 SHEET 9 OF 10 SHEETS TOTAL



REVISIONS  
F

DRAWN SA

CHECKED

DATE 24.11. 6  
15:46



Specialized Studio Equipment

PROJECT  
PMH3000  
EUROPOWER  
LED METER & FX RETURN  
SHEET 10 OF 10 SHEETS TOTAL