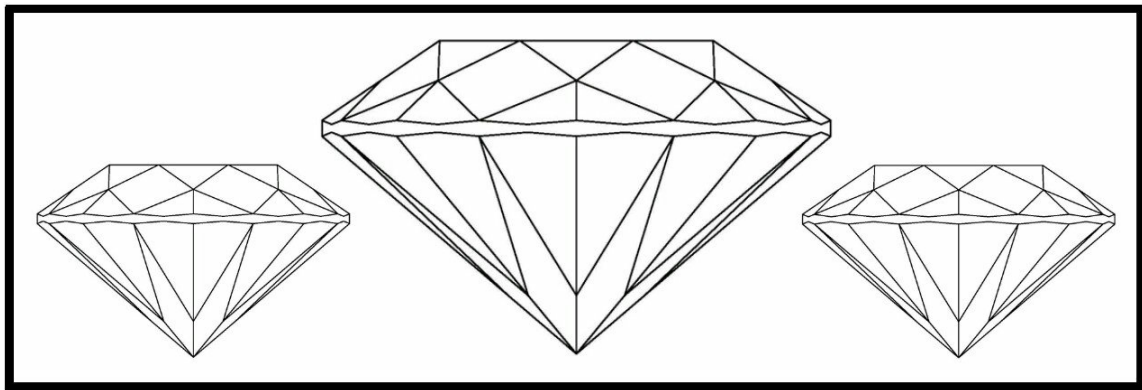


---

The Federal Government of  
**The Imperium of Diamond's**



---

**Great Day Dear Anonymous**

---

Monday, December 11, 2017

---

King Gottwald Peter, ID's



---

<http://www.TheImperiumofDiamondsGovernment.populiser.com>

---

---

**I welcome all members of the Anonymous Global Movement,** I welcome all the supporters of Your organized group to the objectives of peaceful and responsible interest, I am grateful to You and offer You many options for our organized cooperation at the global, directly political and government level.

My name is King Gottwald Peter, and I represent the new government of a country with a legal right to possess territorial sovereignty recognized by international law, as well as the principles of judicial practice of international tribunals in matters of the rights of states and also under the principles of the UN Security Council's legal and international primary security duties, meaning full legal recognition of my claim of territorial sovereignty without any other competition, with the recognition of the democracies of the world's majority of all the governments of the countries of the world holding the UN Charter.

Therefore, I represent the new government of the North-East Africa-based country, ID's Diamond Oasis, between the international border of the Republic of Egypt and the Republic of Sudan.

My rights are to create civilization development here, to establish the jurisdiction of the state, to support the development of the state and to give new citizenship.

I can therefore manage the development of industry, trade, the production of modern technologies, and ensure the function of modern research growth, and, in principle, political cooperation at international level with a political form of legal status.

I also have the rights to promote good action in a meaningful way for the world as well, and it is in my interests to take steps to promote the development of Your Anonymous movement.

The ideology of my government is above all The One World and is based on the purpose of achieving a step towards the unification of all nations and nations of the world, for the purpose of uniting humanity and expanding our unified government over the entire horizon of the human world.

My interests in our contact are intended to create our common agreements as Your Anonymous social community and I as a political person, the government of the country, allowing our common agreements to serve the purpose of growing our common federalization and enabling Your global community to transform the full state format of the national movement and forms, thus enabling the rights of Your community in the federation of my government, to establish Your own civilization, to lead Your own administration and also to the purpose of international political communication within the framework of legal rights and diplomacy at international and federal level.

**Join the Federation to get new visions of the world's movement, many new options and, in fact, in fact, a new motivation and progress of an important purpose of up to 1,000,000,000 in average new members worldwide.**

The format of dual citizenship is recognized throughout the world, and each of You has the right to take the second citizenship of the federation of my government. In this case, it will be possible for You to remain a citizen of Your country, but with the ability to use second citizenship of the world centralized

entity of all Anonymous together with the world-wide and established for the purpose of developing the civilization of its own meaning. It is a new horizon and opening up new possibilities for Your future horizon on a much more significant level.

It is obvious that in this position of the political movement, it is not possible to allow Your growth to hacker activities at the level of violation of international rights and damaging the freedoms and rights of innocent persons and institutions, but is open to providing governmental support with full support for Your federation federation movement peacekeeping missions in which You acquire the rights of international legal protection in matters of heckery on the international network, and the claim that You still maintain the anonymity of Your network active persons, or the question of investigative procedures from the parties of the injured criminal regimes.

If Your community establishes hackers against criminals, then Your activity is a criminal offense that gives the rights of other states to initiate Your police prosecution and apply for the prosecution.

If You are acting for the sake of the federation's name, the purpose of crime heirloom, it is true that You have full rights to this act in this case, and other states around the world have no right to punish You. Each foreign country government will have the purpose of getting Your partnership and supporting Your development. That's why it's always good for You to join the federation to begin Your civilization development and give Your association a new vision on a global level.

Developing to the level of the state is in my country's view as a Federation, an acceptable option and the ability of a real purpose. Every member is really welcome and You have the right to join the Federation.

Entering the international level of politics is the advancement and horizon of a new basis of Your own existence identity that allows many new possibilities for Your future, but Your development at the level of the political movement in the form of a state also has certain criteria that need to be fulfilled. Citizen and Every member of Your new state must have a direct record of his identity, all security checks on his identity, and his identity verification in case of direct contact.

In the form of policy responsibility, it is not possible to allow another member of a foreign entity to abuse the rules of anonymous movement for the purpose of infiltration and growth at the level of espionage or to influence political development. The practice of today's international politics and the public endeavors of foreign espionage is always certain that such attempts will be immediately activated by many states, but also by specialized independent groups and individuals.

Identity at national level will be uncovered at the level of standard civilian regulations where only the security police have the right to know the identity of any member of the state. This means that the identity of Your members will be uncovered only by the national police that will be created from Your own members as well as Your administration offices, so as to isolate this information only within the scope of the Federation's territory, with no possibility for anyone else to enter the territory of the Federation and has obtained Your personal data without Your permission and misappropriation for foreign benefit.

The protection of Your identity at the international level remains, where the foreign government or organization must first obtain the approval of Your future

Anonymous government, which also allows the prosecution of the prosecuted persons to investigate and stand before a foreign court.

It can not be allowed to establish and create a political entity that will be created for the purpose of covering itself against its basis of crimes or terrorism. Such a subject is internationally illegitimate and no one can recognize the legal issues of this movement, so in this case, You can not respect the principles of Your Anonymous community as the right of anonymity in our inner circle. Each political subject must be active in the range of legal issues, and must also establish its own administration for the purposes of this development of its own security function.

Being a member of the federation is a profitable and very beneficial option for Your future, and a drastically more significant development that is more profitable than Your previous efforts of today's growth in the form of an international association.

Your movement, in a federation as a partner, gives You the opportunity to civilize Your organization, set up Your own trading markets and support the development of civilization, together with the interest of the industrial sector where Your own computers, computer programs, intranet and telecommunication can be produced. International and cosmic levels, satellite networks and space centers, and special ships for space travel and galaxies, special planetary centers, but also the development of android civilizations and indeed much more.

Supercomputer centers and laboratories, androids in industry and automated technology zones, the development of modern technological sciences and the establishment of new directions of technological vision.

We can jointly create organized steps that are based on our ability to ensure the development of our raw materials resources without any restriction on matter and therefore our technological and civilization development will therefore be based on full indefiniteness that opens up for us new perspectives of significant growth levels of many new millenaries.

Therefore, if You also have Your real interest in joining the Federation, then You are entitled to a romuto step and it is easy for us to begin our organized development on an international level.

Create an Anonymous Movement declaration through Your Anonymous Headquarters with a testimony of the purpose of Your community to become a member of the Federation and thereby establish Your own position of political purpose in the form of government and to broaden the purpose of the federation and thereby ensure joint development towards a similar entity of the government of vision The One World, submit a document on Your declaration, on Your organization's public pages, or share Your media insight, at best, take advantage of the opportunity to organize our joint conference.

My primary request is to create Your office on the possibilities of our co-operation in the federalization process, creating a network of coordination, administration and joint organization of the development of international trades and markets, developing new business corporations and supporting and uniting further resistance movements or the independence movement, coordinating with other governments of countries around the world, and thus extending our strategic international diplomacy.

The first is to ensure the function of the security system and therefore also to confirm the credibility of a common internal credibility without infiltration

which allows us to open the function of common systems of official infrastructure under constant security control that will remove foreign attempts to espouse people who want to abuse secrets under the Anonymous mask.

Subsequently, the system of the Office will be set up on questions of government function, development of ministries, but also of other functions of state administration and international relations.

One of the main issues of development is the goal of unifying the statistics of Your community members and, consequently, the use of their professions to enable the establishment of new business corporations worldwide, the development of joint trade and the provision of the first resources for the growth of federal civilization.

If we gain the ability to set up more than one hundred businesses, it means a profit of at least 150-500 members, then within a week our profits will be in the tens of millions of euros, but in the six-month period we have the ability to trade internationally up to hundreds of billions of euros, but over one trillion euro.

Establish contacts with other entities of independent movements and communities, and we will gain many new forms of independent business relationships at federal and partner level, as well as the more mature range of our strategy in international positions.

If You are in contact with the risk of anonymous foreign infiltration, You can also take steps to set up the International Advocacy Intelligence Council, which also enables international communication through certified legal professionals certified by their identity and office address. There is no risk of foreign infiltration, because every member of this legal body can always be sufficiently proven, and start ombudsman administration in secure between Anonymous bodies.

Surely, I have been invited to cooperate on ID's Global Security Concern for Private Companies in the Spying and Detective Works section for You to be able to commercialize international security issues and to help increase the world's stability, peace, justice and protection of innocent and peacekeepers, organized co-operation with private military and security companies, police with detective agencies and other spy centers around the world.

Together, we can exploit the vast industry, the economy and strong positions at the international level that give us the opportunity to expand together on international policy issues.

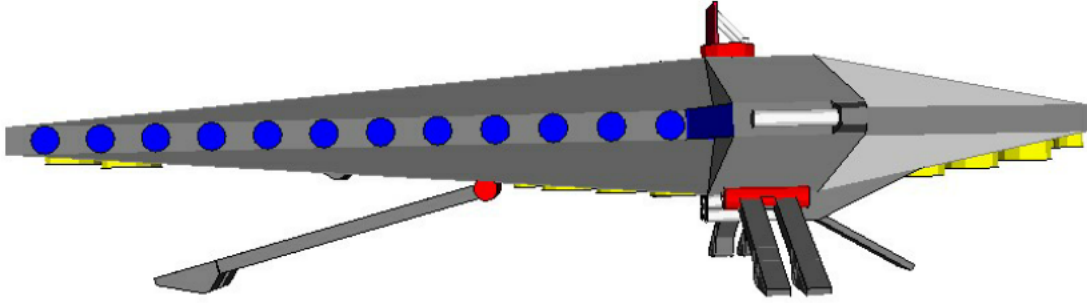
Today I am active in Europe as a blocked diplomat, a captive of a terrorist group active on behalf of the European governments of the countries, and it is real that through these acts I am capable, in international law, of being able to achieve, in a peaceful and peaceful process, many important steps leading to the global revolution, allowing for a much better life for nations and states, and for the more important future of all civilizations, and therefore also with certainty of many times expressed interests from the other governments of the countries, the political parties and, above all, the nations.

If You also want to take advantage of the possibilities to create new steps of the revolution, I certainly welcome You and give You new rights of our cooperation which give You the right to state development of civilization forms, which means the right to organize ourselves internationally on an unlimited scale.

**Come to each of You, and each of You is Welcome, and we together can do many important steps that can change the world.**

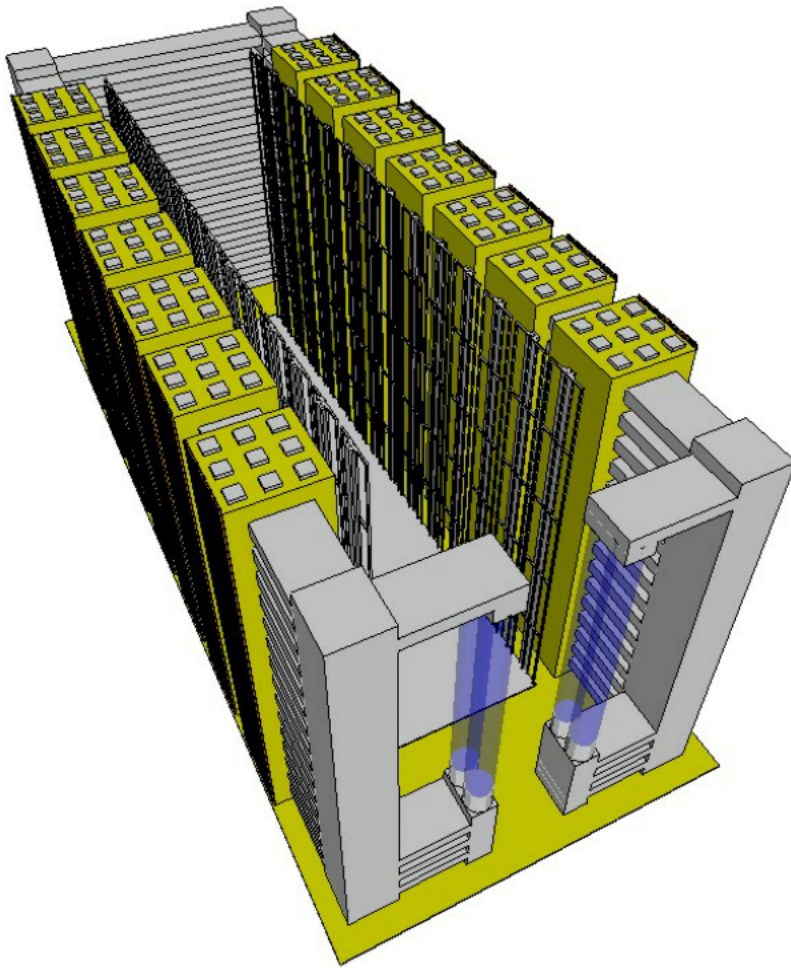
---

## The Galactical Spaceships

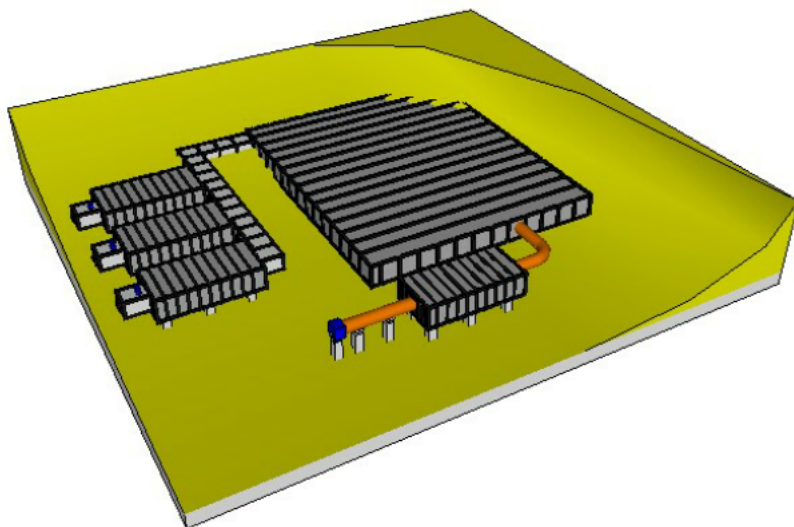


## The Space Ships Industries

One space ship diameter  $1,000 \times 200$  meter's, prouction every 10 minutes in industrial zone of skyscraper center  $500 \times 100 \times 100$  meters, 7 skyscrapers of Industrial zones, 14,000,000 meter squeres and central are for mechatronic construction  $200 \times 1000 \times 500$  meter's.



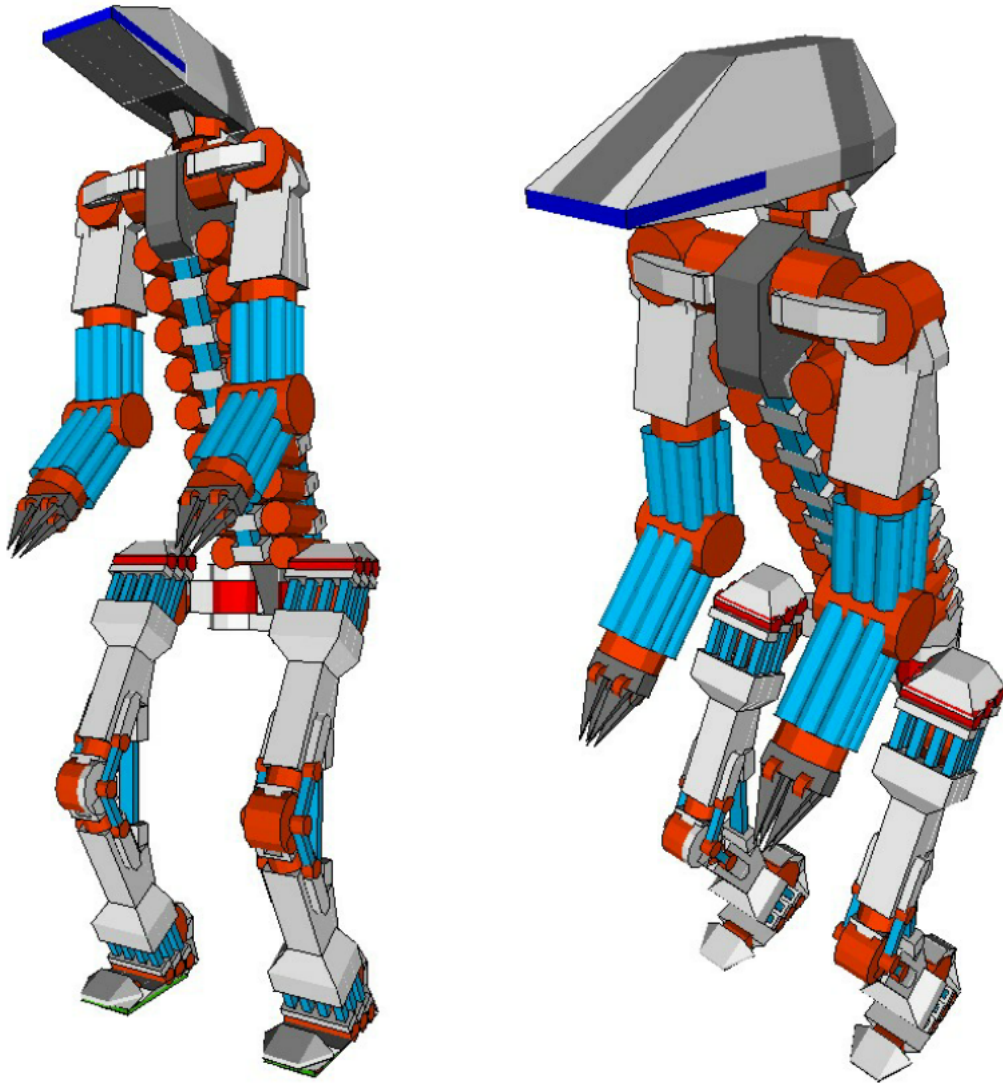
## The Secret Underwater Industrial center in International waters



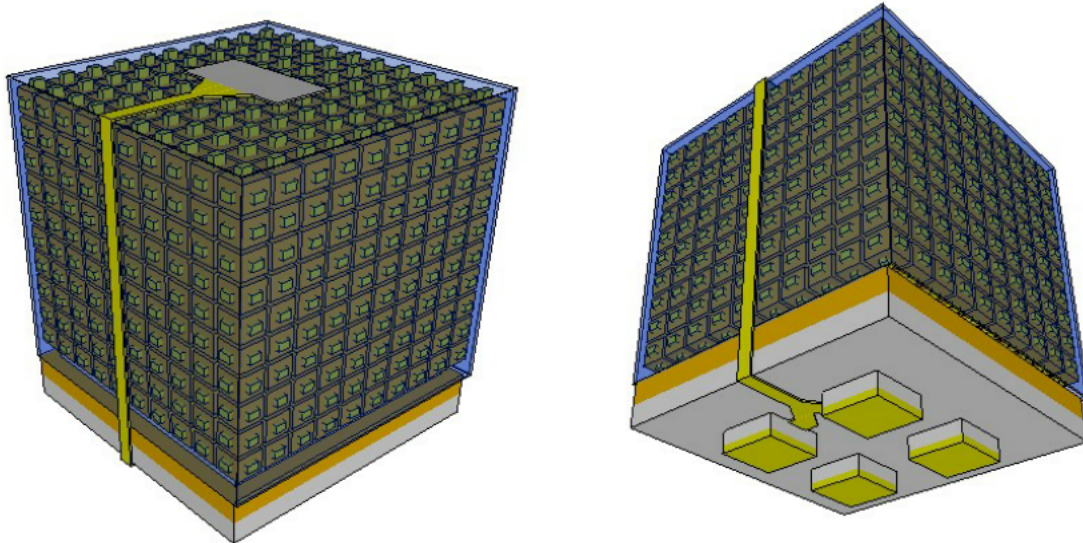


## Autonomous Androids

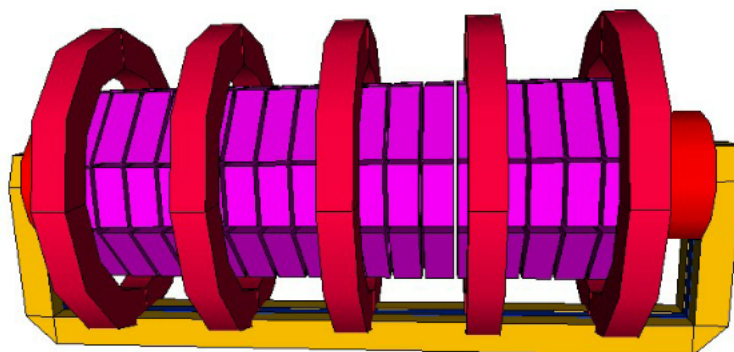
Unlimited capacity of Industrial workers or military personels



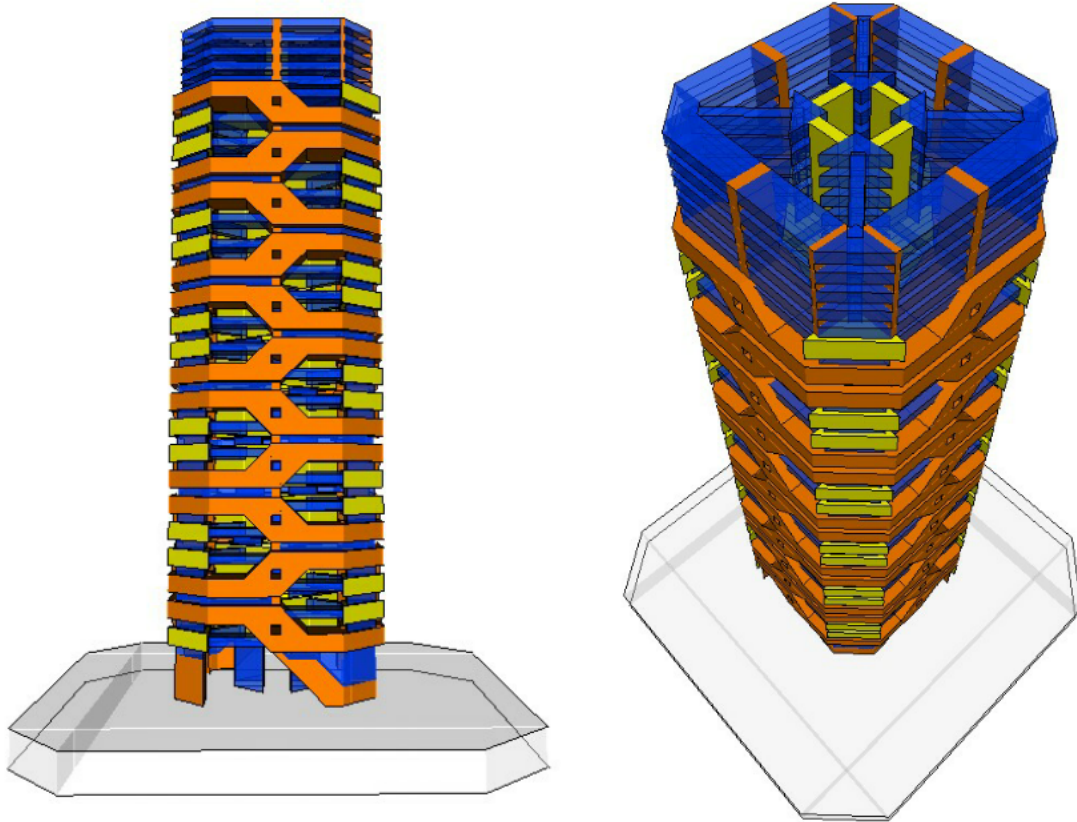
## 3D Computer Processor Architecture, quantum processors



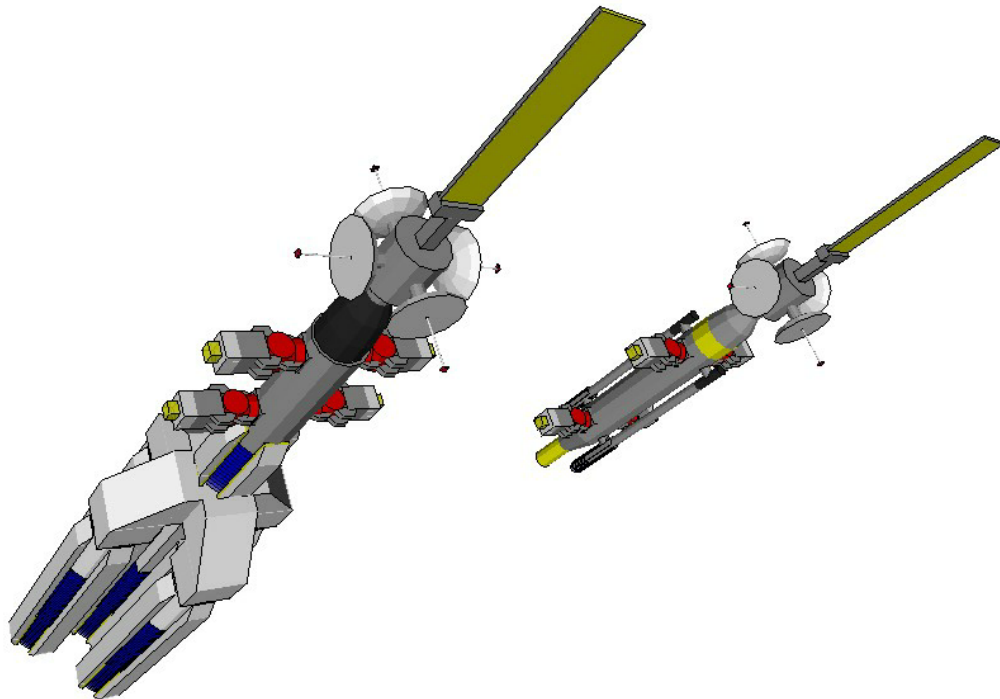
## 3D Crystal Computer processor Architecture



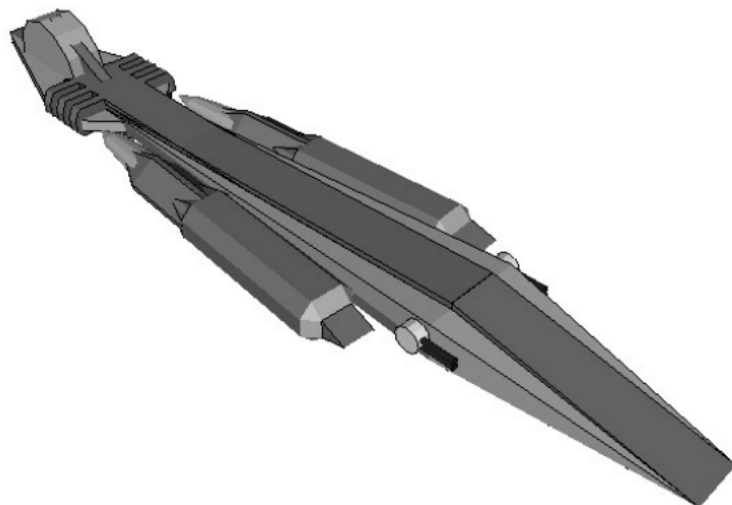
## High Tech Skyscrapers



## Global Monitoring Satelites Infrastructure

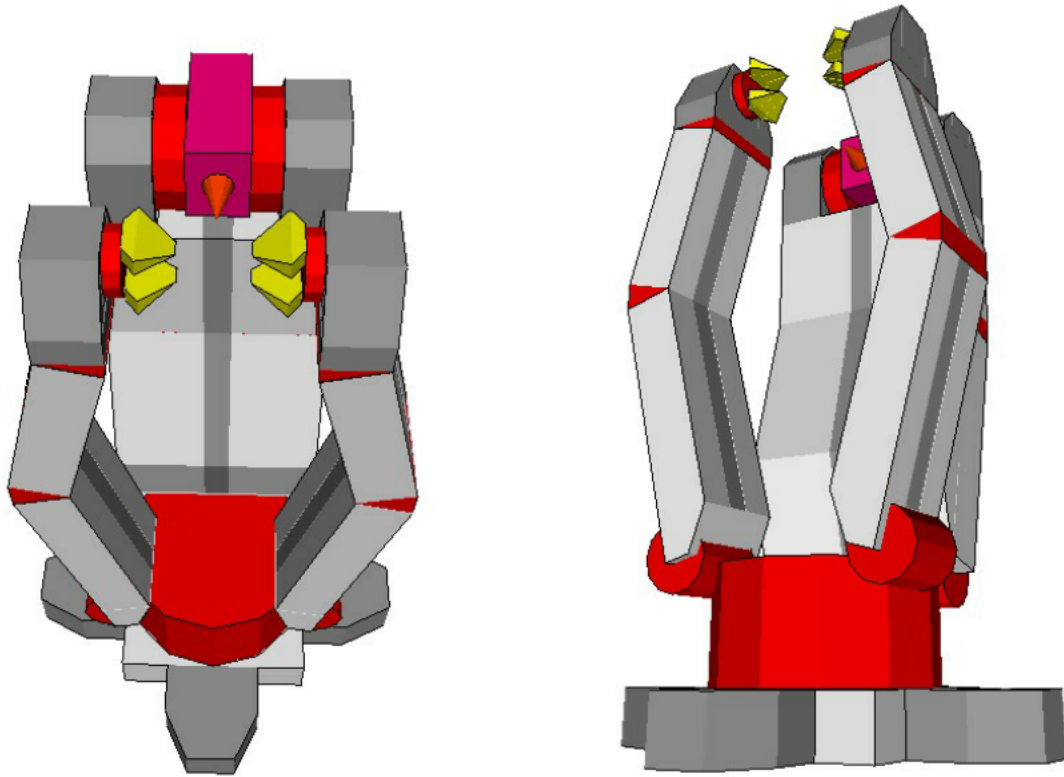


## InterGalactical spacecraft fighters (Autonom)





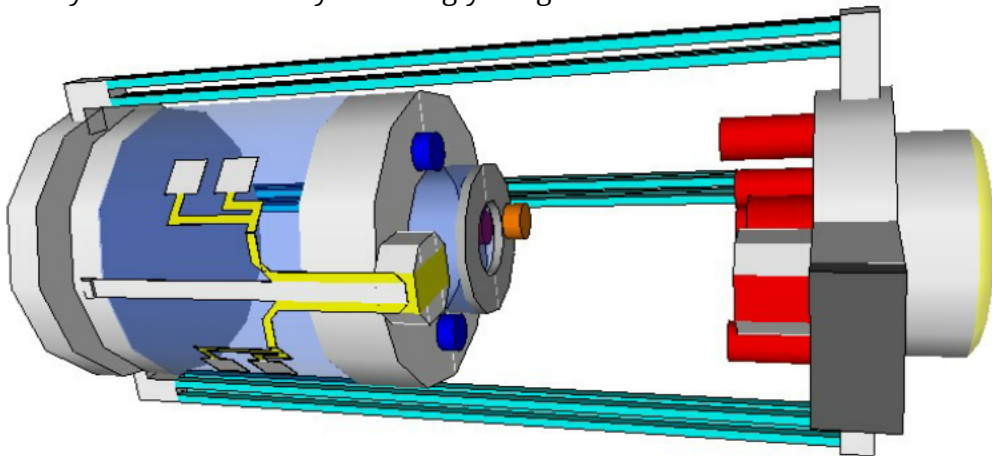
## Autonomous Laser cut mechatronics



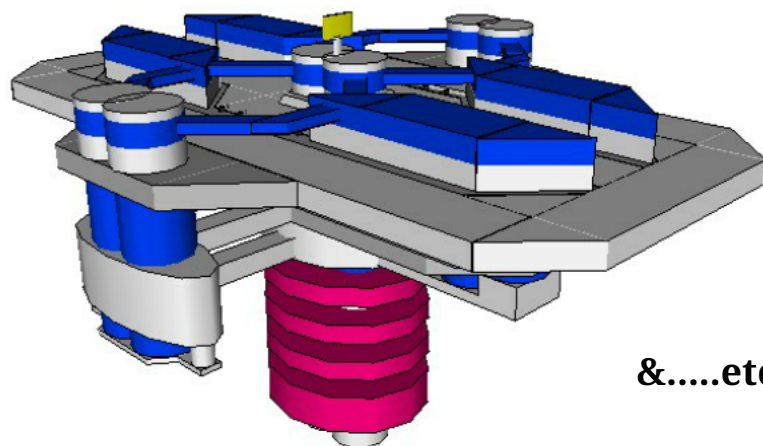
## High Tech Pilules for Supercomputer Laboratoried

Biological science research be the supercomputers who can control over 1,000,000,000,000 bio-cell reactions per a moment and theoretically calculate all their common biological reactions with oportunity for active test in laboratory under supercomputer administration.

Open guarantee for new systems of emergence and healt systems for infinnity life, inmortality and miliards of years long younhood.



## Levitation Airport similarity on AntiGravity energies



&.....etc.

## The King Gottwald Peter



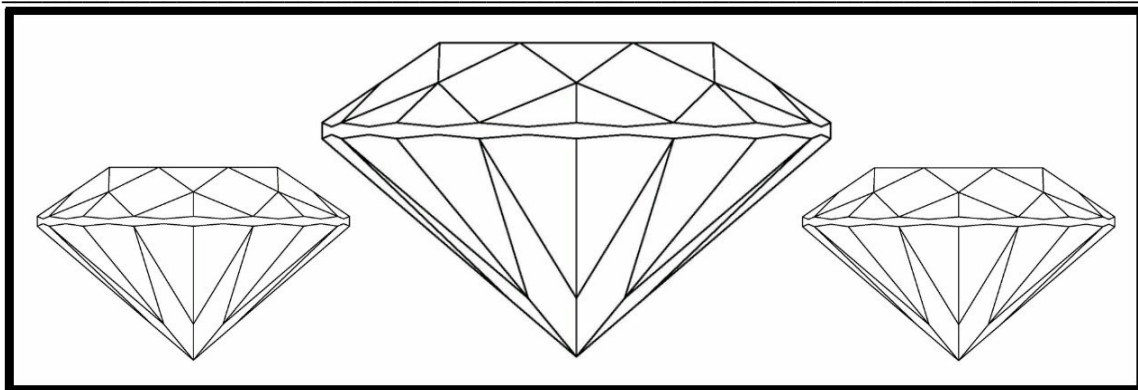
### **Great Day Dear Anonymous,**

New Day's for a progress when the Mask of Anonymous can deploy more than 1,000,000,000 new people !

**[Join the King !](#)**

---

# The Federal Government of The Imperium of Diamond's



---

## Great Day Dear Anonymous

---

The ID's Office stabilization

<http://theimperiumofdiamondsgovernment.populiser.com/disscusion/about-us/office>

The ID's One World Vision

<http://theimperiumofdiamondsgovernment.populiser.com/disscusion/the-one-world-global-project>

The ID's Global Independent People Federalization

<http://theimperiumofdiamondsgovernment.populiser.com/disscusion/cooperation-between-movement-s>

The IAIC Department

<http://theimperiumofdiamondsgovernment.populiser.com/disscusion/about-us/international-lawyer>

The ID's GSCPC

<http://theimperiumofdiamondsgovernment.populiser.com/disscusion/id-s-global-security-concern-of>

EU Conflict and ICT for PETA statute

<http://theimperiumofdiamondsgovernment.populiser.com/disscusion/the-imperium-of-diamond-s/statute-for-international>

---

**King Gottwald Peter, ID's**



Monday, December 11, 2017

<http://www.TheImperiumofDiamondsGovernment.populiser.com>

---