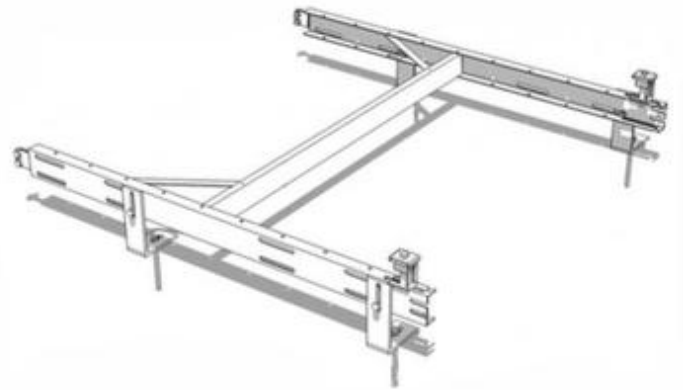




SR-1000
1 PANEL RAQ
UPC: 00868479000101



SPATIAL DIMENSIONS

Fits rafter spacing	12", 16", 24", 48"
Fits panel widths	982mm - 1000mm
Fits panel thickness	31 mm-44 mm
Fits common panel cell count of	60 cell
Fits common panel cell count of	72 cell

PLACEMENT

Vertical wall mounting option	YES
Panel position	Portrait
Stagger Anchor bases option	YES
Cantilever option	YES

MATERIAL

Steel type	A36
Aluminum type	T6

FINISHES

Powder coat	Black-standard
Z.A.M.	Upgrade

SPECIAL ORDER ODD SIZE

Option B panel width variation	44mm-49mm
Option C panel width variation	50mm-54mm

SNOW LOADING

72" spacing of anchors	60 lbs.
48" spacing of anchors	90 lbs.
24" spacing of anchors	120 lbs.

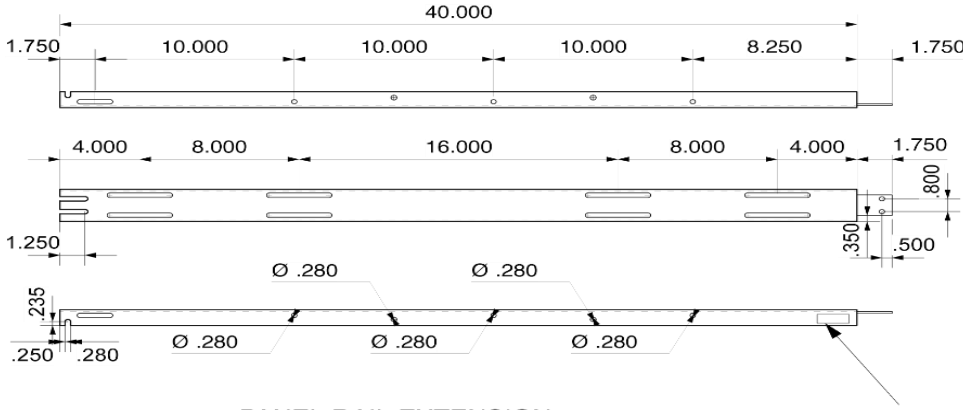
WIND ZONE

72" spacing of anchors	90 mph
48" spacing of anchors	160 mph
24" spacing of anchors	190 mph

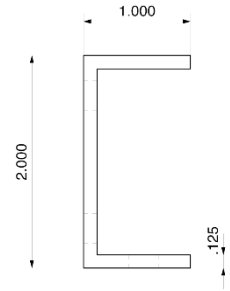
**THIS PRODUCT IS USED IN CONJUNCTION WITH SR-0700 START BRACKET KIT; IT IS A NECESSARY COMPONENT TO INSTALL A STAND ALONE UNIT OR TO START A ROW. THIS PRODUCT CAN ALSO BE USED IN CONJUNCTION WITH SR-3000 3 PANEL RAQ AND SR-0400 WIND ZONE/ SUPPLEMENTAL ANCHOR KIT*



SR-1000
1 PANEL RAQ
UPC: 00868479000101



1 PANEL RAIL EXTENSION



RAIL SECTION

SR-1000 BI-FOLD FOLDED

Length	42"	1066.8 mm
Width	3"	76.2 mm
Height	8.5"	215.9 mm
Weight	19 lbs.	8.62 kg

SR-1000 BOX DIMENSIONS

Length	42"	1066.8 mm
Width	9"	228.60 mm
Height	8.5"	215.9 mm
Weight	19 lbs.	8.62 kg

SR-1000 UNFOLDED DIMENSIONS

Length	42"	1066.8 mm
Width	39.5"	1003.3mm
Height	8.25"	209.55 mm
Weight	19 lbs.	8.62 kg

SR-1000 SINGLE PICK PALLET DIMENSIONS

Length	48"	1244.6 mm
Width	48"	1244.6 mm
Height	31"	787.4 mm
Weight	1140 lbs.	517.10kg

SR-1000 BATCH PALLET

Length	48"	1244.6 mm
Width	48"	215.9 mm
Height	31 "	787.4 mm
Weight	900 lbs.	408.233 kg

SR-1000 BATCH ACCESSORY PALLET

Length	48"	1244.6 mm
Width	48"	215.9 mm
Height	31 "	787.4 mm
Weight	225 lbs.	102.058 kg

UL CERTIFICATIONS

MECHANICAL	US & CA 2703	E353639
ELECTRICAL	US & CA 2703	E353639
FIRE TYPE I	US & CA 2703	E353639
FIRE TYPE 2	US & CA 2703	E353639





SR-1000

1 PANEL RAQ

UPC: 00868479000101

PRODUCT DESCRIPTION

A US and CA patented mounting system that unfolds from a compact shipping state.

UL rated 2703 for structural, electrical grounding and mechanical.

SR-1000 1 solar panel RAQ is intended for portrait position but has vertical options. This unit is self-aligning, self-squaring, self-leveling and designed to be quick connect; vastly reducing installation time and frustration by a proven factor of 76% (NREL).

This unit comes with pre-positioned anchoring and mounting hardware which works universally to most 60 or 72 cell solar panels. This unit can be used as a stand-alone or connected together (up to 18 units per row).

1 Panel RAQ units are designed for rafter spacing of 12", 16", 24" and 48" without any infield modifications.

The 1 Panel RAQ is rated for 190mph winds and 120lbs snow loads with roof anchors at 24".

*Other rafter spacing, wind zone and snow loads are available.

Mechanical Characteristics

Lag bolts provided 5/16 x 4.5 18-8, Stainless Steel 100-- 125,000 psi nominal

Structural Joints

All joining connections points are UL rated for structural, mechanical and electrical; allowing anchor location adjustments in the field.

Integrated Grounding

All connection points are UL rated for grounding. Only TWO grounding points on the stand-alone unit per row is needed. One on each rail. Grounding lugs are available for purchase in the Start Bracket Kit. The grounding lug provided in the start bracket kit will also enable you to ground to any additional rows, using a 10-gauge copper wire; which will ground the entire unit. When using an inverter that requires grounding please follow manufactures suggestions. A stainless steel "Type 23" self-tapping bolt is provided for each inverter connection point, to mount inverter.

Adjustable Anchor Points

Each anchor of the racking is adjustable in height 1.5" to its connection to the rail to allow for variances in levels of the roof. This allows the installation of a flat array accounting for condition of roof surface

Adjustable leg spacing:

While the anchors of the racking are preset at 24" rafter spacing, they can be adjusted to 12", 16" and 24", spacing. Each connection point of anchor to rail allows a 3" tolerance for rafter misalignment. In the event of a misaligned rafter of greater than 3" the anchor can be removed and a hole can be drilled anywhere in the panel rail with the use of cold-rolled drill bit.

Adjustable panel clamp locations

Mounting position for all the panel clamps, have a 3" range of adjustment for variable width of solar panels. See installation instructions for details.

Adjustable panel spacers

Each panel clamp is adjustable by rotating it 90 degrees, this spacing between panels to be adjusted to compensate for panel width changes

Bi-fold type cross brace

The Bi-Fold squaring arm requires an additional "Type 23" self-tapping bolt which is provided to secure the unit square

Suggested 3rd party providers of:

S5 or common metal roof clamps
Tile roof clamps

OMG Flat roof connections

