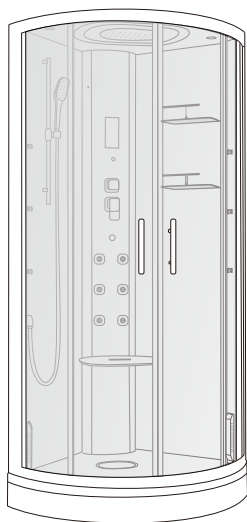


Reminder: the company reserves the right to make change on the product appearance and accessories and no further notice is given. The dimension and color of any product are subject to those of the material object.

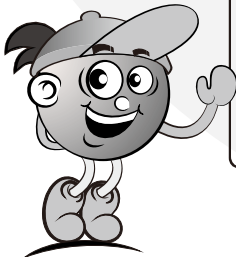
USING INSTRUCTIONS OF SHOWER ROOM



BU601/BU602/BU620

directory >>>>

Preface	2
Security Caution.....	2
Installation and use Caution.....	3
Special statements	3
part names	3
Installation Tools Suggested (Prepared by User)	3
Installation of Rubber Strip	3
Spare screws.....	4
Recommendation tools(user-owned)	4
Installation Steps	5
Using Intruction	12



Reminder:

All appearance pictures for parts and components of this product in this Installation and Operation Manual are for reference only. The appearance of the actual product shall be taken as the standard, while the operation methods are the same.



Preface

Thank you wholeheartedly for purchasing our shower room. To use this product safely and efficiently, please read this manual carefully before use, and pay attention to the followings:

- 1, We will offer the quality warranty service for the user of this product. To guarantee your interests, please complete the warranty card carefully, and call the dealer or us for any other service needed.
- 2, Any damage or trouble of the product caused by improper installation or operation shall be excluded in the warranty.
- 3, To achieve the best service effect of this line of products, it is recommended to use our original parts.
- 4, To avoid fire or electric shock, please ensure that controller is not exposed to rain or wet surroundings, As controller contains accessories with dangerous high-voltage, please do not open the cover.
- 5, Without permissions from controller manufacturer and authorized party, any changes or disassembly of this controller will probably bring inconvenience in use to user.
- 6, Power supply adopted should match voltage specification marked on the controller, Otherwise it becomes unusable and can even burn out the controller.
- 7, When installing the controller, please check cautiously whether the loaded parameters corresponds to those required by the controller. Otherwise it becomes unusable and can even burn out the controller.
- 8, If occasional crash appears, please restart it.

Installation and use Caution

To guarantee normal use of products and personal safety of users and prolong use life of products, please read carefully the following requirements before use:

- 1, Users must perform load installation in strict accordance with circuit drawing and parameters offered by our company.
- 2, Should not be illegal manufacturers recommend electrical equipment connected to the controller, and prohibit the unauthorized disassembly, modification have been sealed wiring or charging power supply inserting box wiring and plug.
- 3, Connect the line power supply box should press connector number and specification corresponding socket, output line can not be short circuit.
- 4, For there is no repairable elements in controller, do not attempt any improvement, Because of dangerous high voltage in controller, maintenance and adjustment must be carried on by professionals.

The company is not held responsible for results caused by users' violation of the above-mentioned operation specifications

part names



handle



Dual-layer rack



shower



shower chain



copper lifting support



clamp of top glass



acrylic storage board



glass connector

Installation Tools Suggested (Prepared by User)



LC368 aluminum materials



LC389 aluminum materials



LC393 aluminum materials



LC331 aluminum materials



LC391 aluminum materials



FN001 aluminum materials

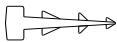


LC158A aluminum materials

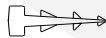


LC375 aluminum materials

Installation of Rubber Strip



❶ 3.0 Single side tape



❷ 2.0 Single side tape



❸ Water-proof tape



❹ R1201C1 tape



5 LC391 Rubber mat(right)



6 LC391 rubber mat(left)



7 FN001 rubber mat

Spare screws



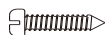
8 5X16 countersunk wood screw*2



9 4X10 round head screw *4



10 4X18 countersunk wood screw *4



11 4X35 round head screw*8



12 6X30 hexagonal screw*6



13 M6 nut*6



14 M6 stainless steel gasket*6



15 M5 nut*4



16 M4 nut*4

Recommendation tools(user-owned)



Screwdriver



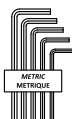
Rubber axe



Foot level



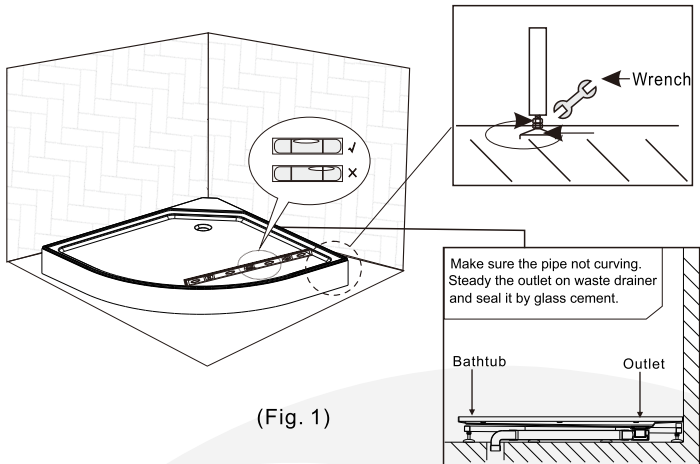
Wrench



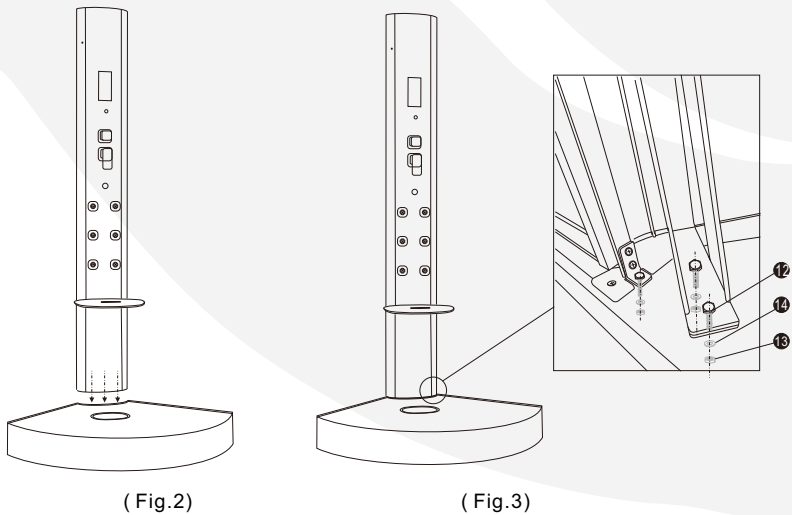
Hexagonal key

Installation Steps

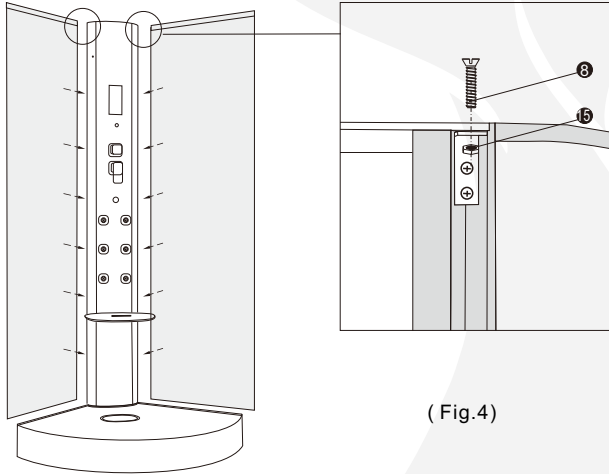
I. Base tray installation



II. Installation of back panel

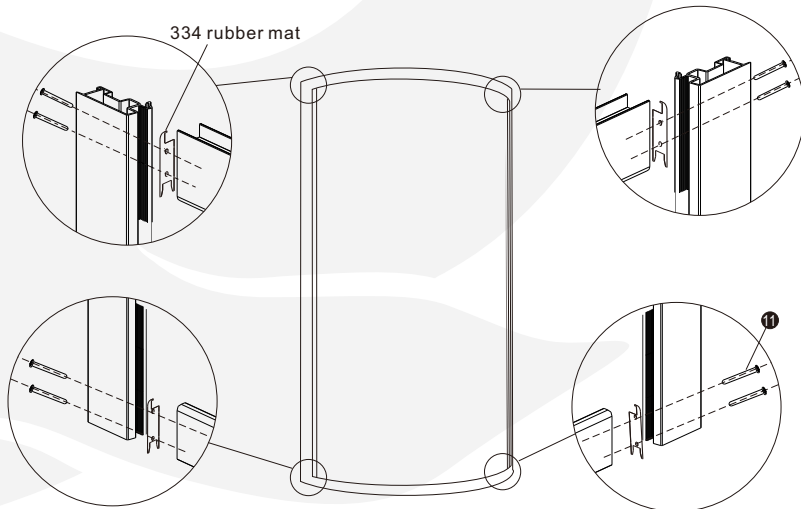


III. Installation of side glass

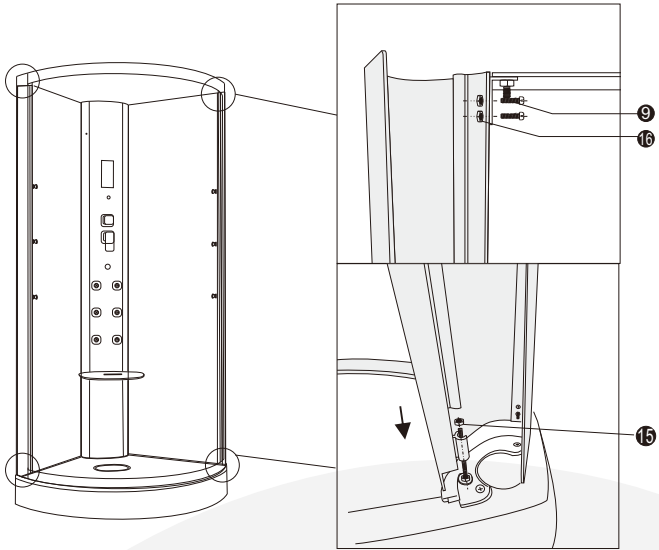


(Fig.4)

IV. Glass door installation



(Fig.5)



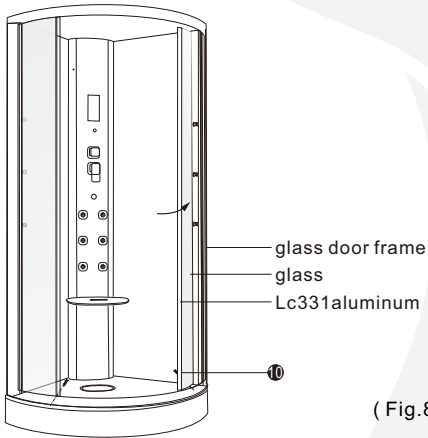
(Fig.6)



(Fig.7)

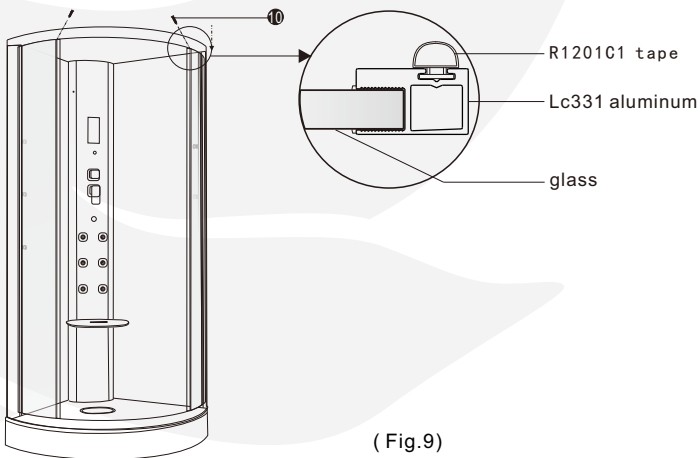
V. Installation of fixed/Sliding glass

1. First fixed glass mounted to the activities of the glass door frame, use a screwdriver to lock LC331 aluminum below the ⑩ screw.

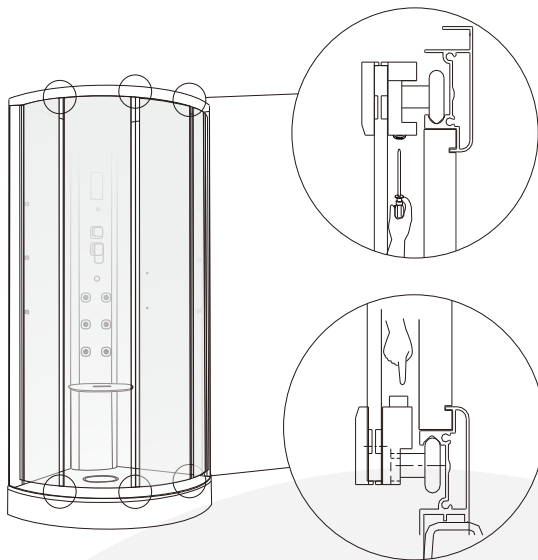


(Fig.8)

2. Install the R1201C1 tape vertically into the aluminum groove of the LC331 aluminum. Use a screwdriver to lock the LC331 aluminum upper ⑩ screw.

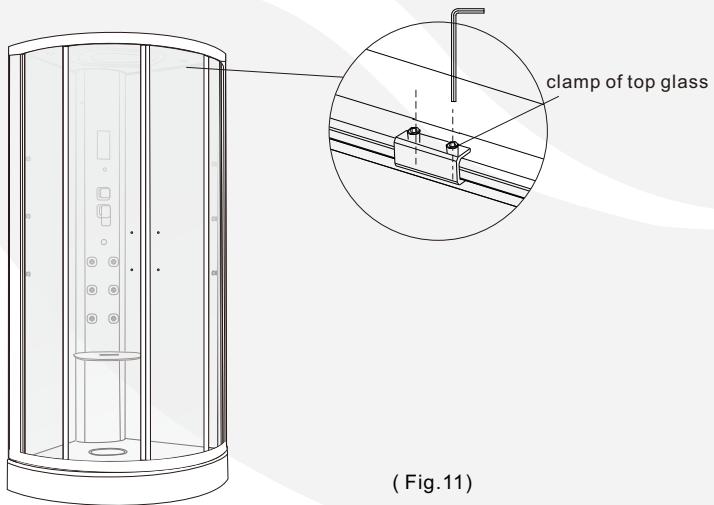


(Fig.9)



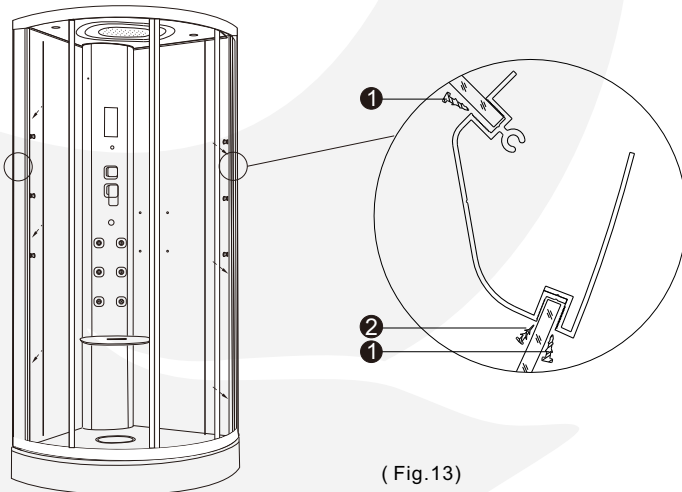
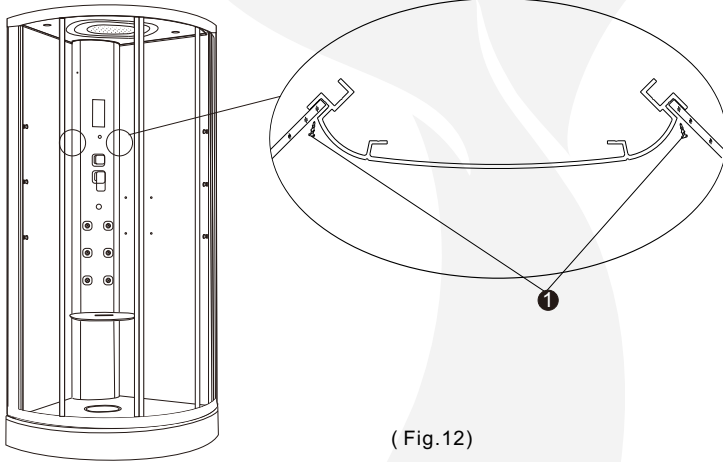
(Fig.10)

VI. Top cover



(Fig.11)

VII. Installation of waterproof rubber strip

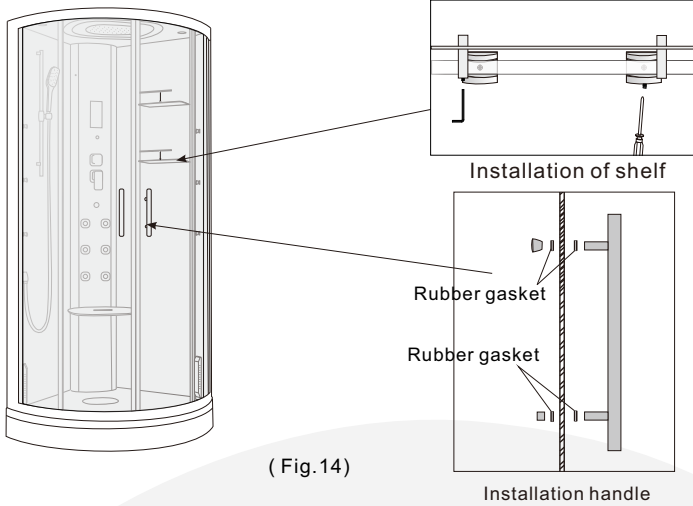


Tips:

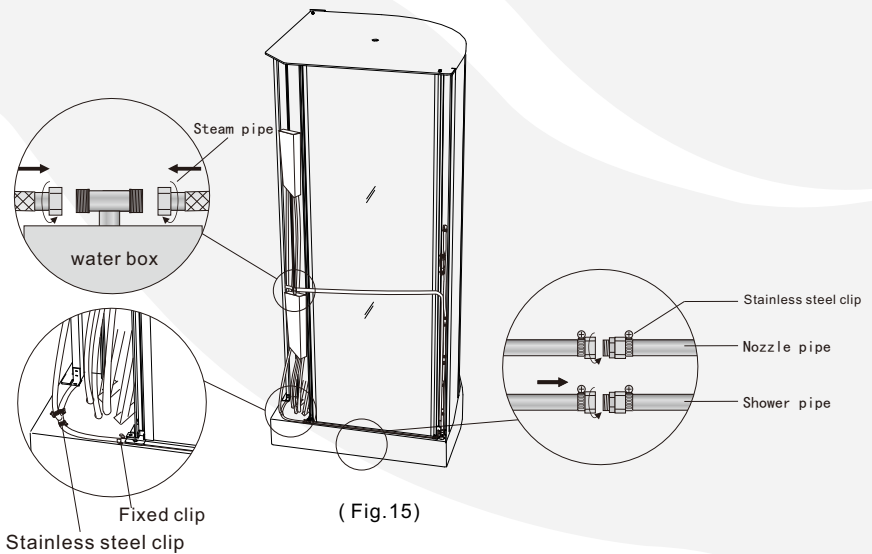
When installing rubber strips difficulty:

- 1.Using detergent water wipe the waterproof rubber strip surface can be install easily.
- 2.Looseing the 4×35 round head screws, screw up when you installation completed.

VIII. Installation Skirt & Installation of parts



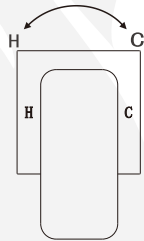
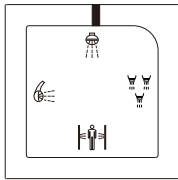
IX. Pipe connection



Mixer Using Intruction

1. Hand wheel A is the function-shifting switch. The rotation of the wheel in different directions will shift the functions such as side spray, shower, back spray and top spray etc.

2. Hand wheel B is the cold/hot water switch. Pulling up the wheel will let water in, while turning the wheel in different directions will adjust the water temperature.



H hot
C cold

A Function conversion switch

B Hot and cold water switch

Steam cleaning machine

For hard water areas ,steam generator must be cleaned regularly for scale removal, particularly when water level is sensed by probe sensor (marked on steam generator surface).Generally,check it for every 3 months and clean it based on scale level. The proper way of cleaning should be like this: shut down system for 4 minutes or above (keep controller energized) , dilute 2.5~3g citric acid with 400ML warm water ,Rotate to remove the function The middle part of the back cover can be seen after cleaning the hex nut, rotate the nut again, turn it on when citric acid solution is filled into steam generator through steam outlet(for details see Steamer Cleaning Instruction) and start cleaning. It is suggested not to shut down system or cut off electricity during cleaning. Steam room can be reused only when the whole process is completed for fear that detergent residuals flow into steam room.

