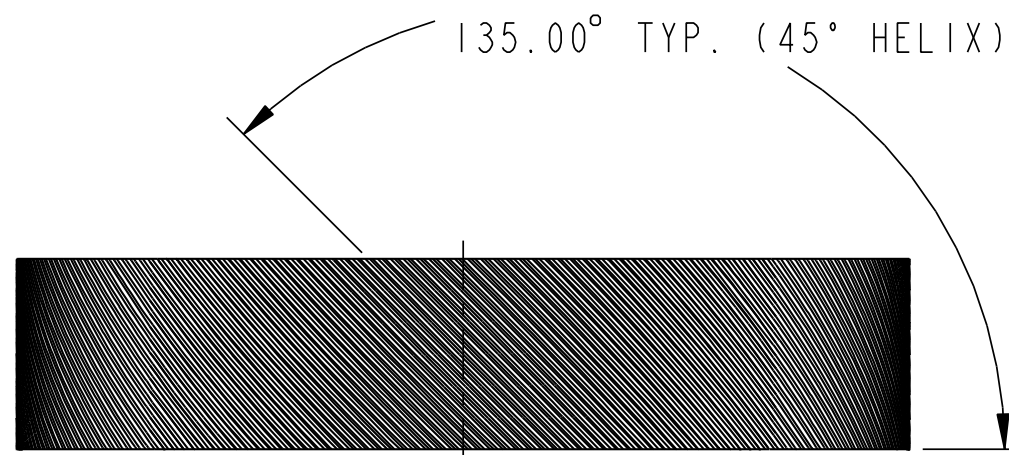


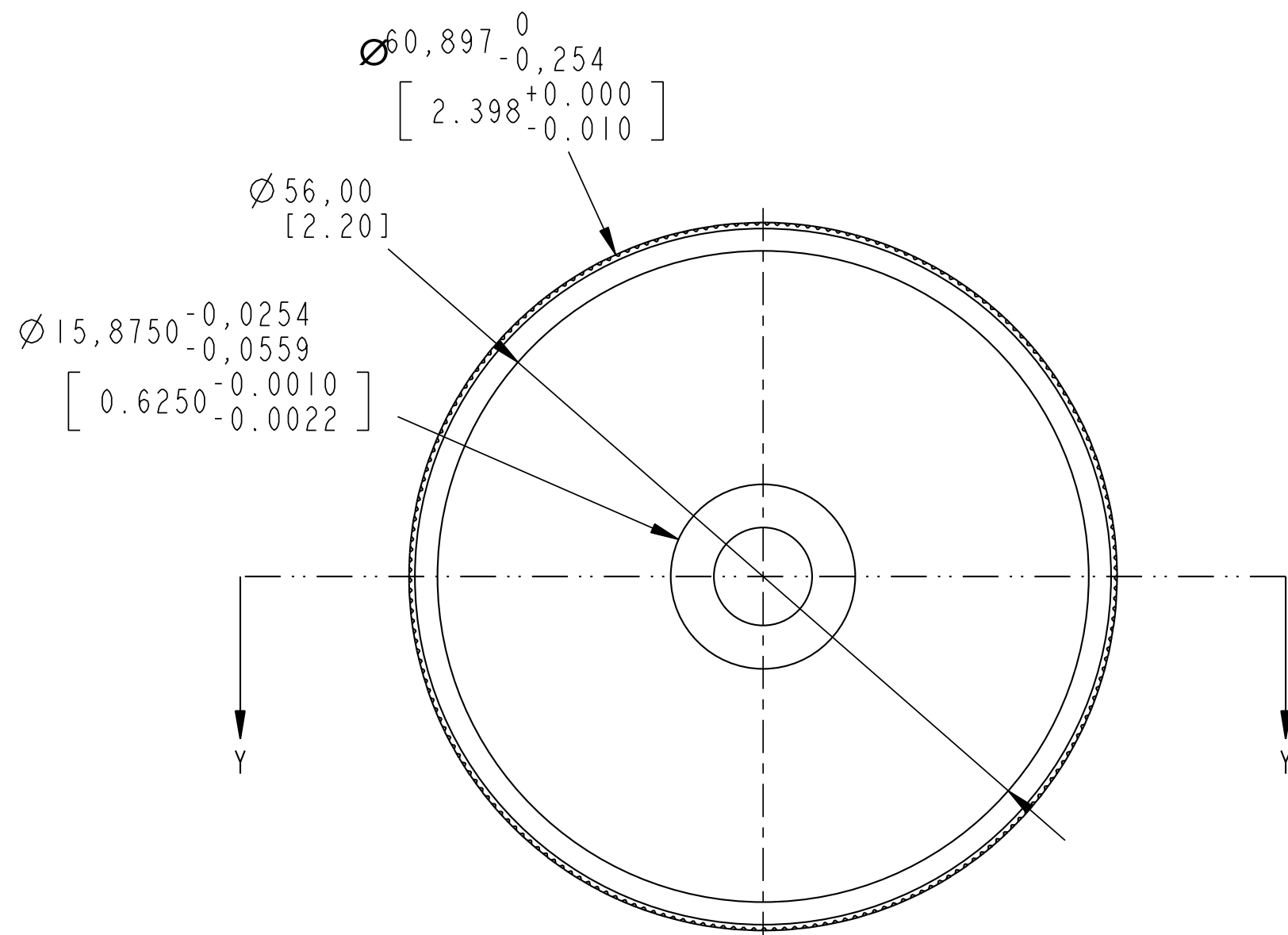
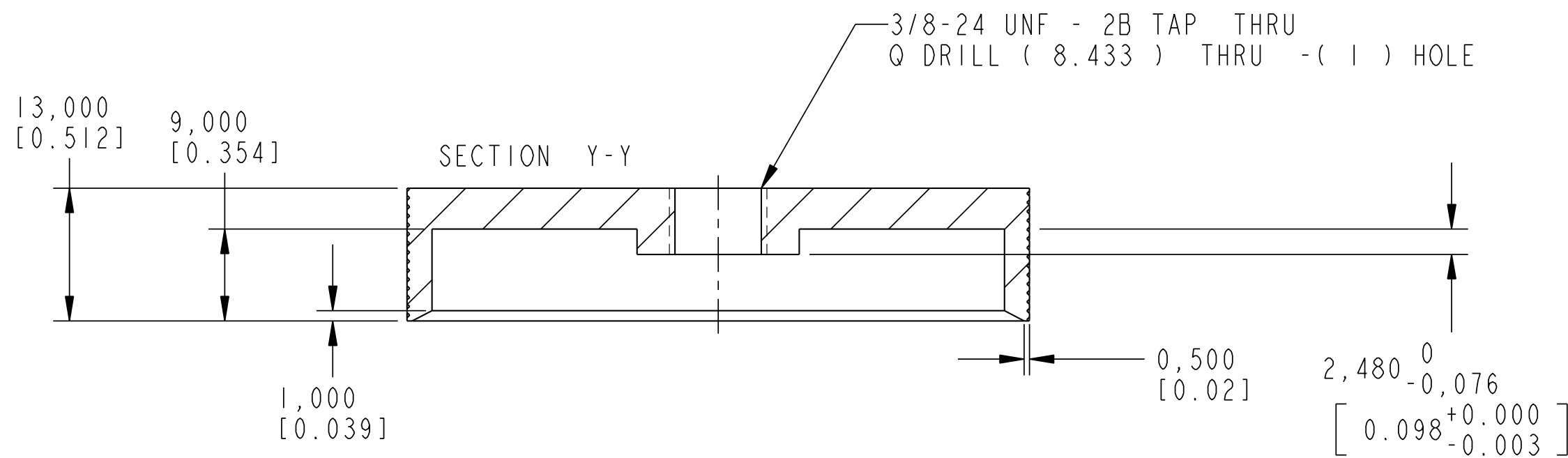
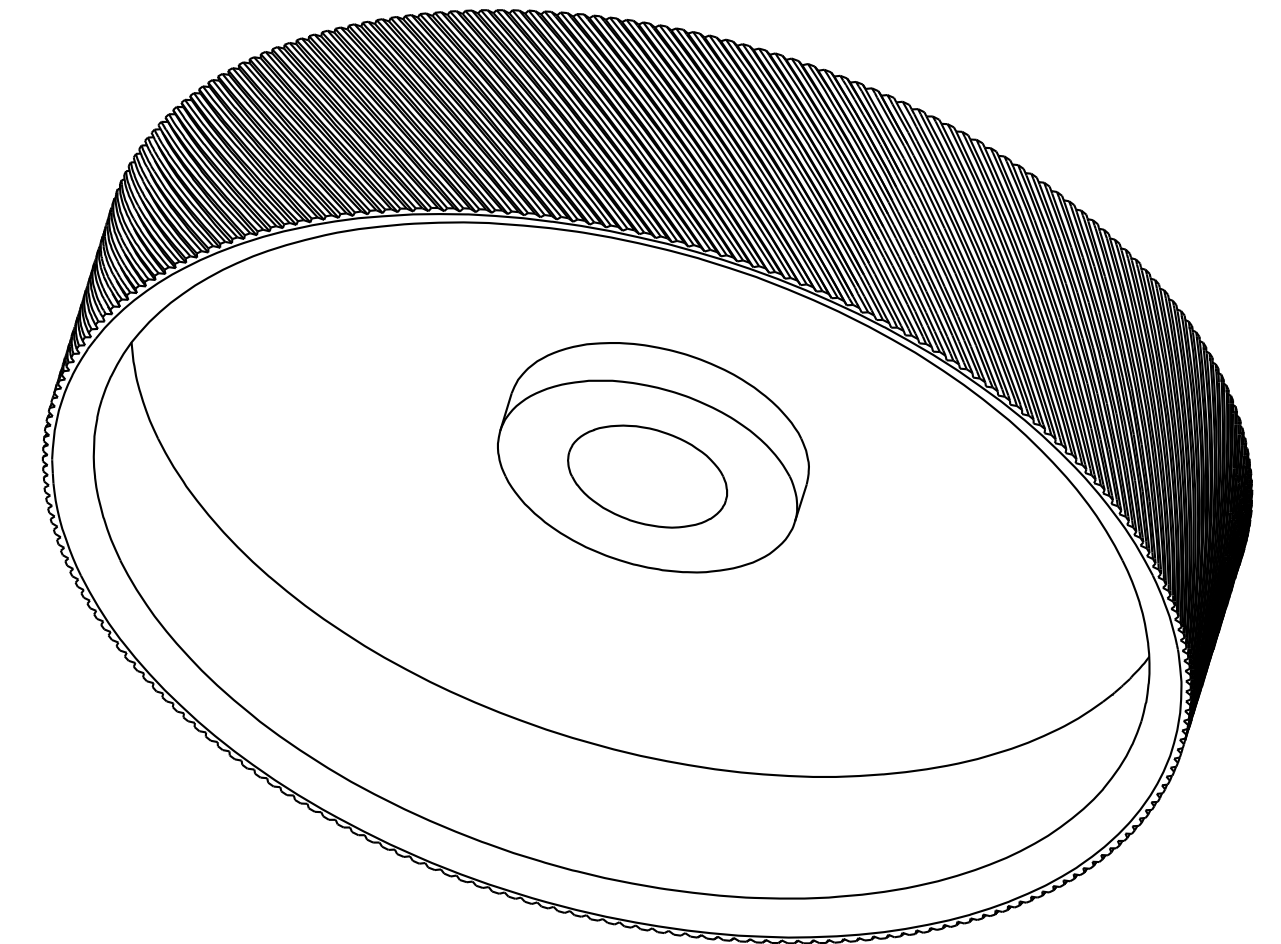
REVISIONS			
REV	BY	DATE	NOTES
1	MMI	11/18/19	INITIAL RELEASE



135.00° TYP. (45° HELIX)

128 DP - LEFT-HAND DIAGONAL KNURLING - CLASS 1 45. HELIX
 FULL KNURL AROUND CIRCUMFERENCE

APPROX KNURLED DIAMETER 0.010" LARGER THAN NOMINAL $\phi 60,897_{-0,254}^0$
 $[2.398_{-0.010}^{+0.000}]$



NOTES:

UNLESS OTHERWISE SPECIFIED
 TOLERANCES ARE:

.X = ± 0.5 mm
 .XX = ± 0.30 mm
 .XXX = ± 0.100 mm
 ANGLES = 0° ± 30'

PRIMARY UNITS IN MILLIMETERS
 [SECONDARY UNITS IN INCHES]

BREAK ALL EDGES - MAX CORNER RADIUS 0.30 mm

MATERIAL: 304 SS

Cypress		Morrisville, NC	
PART			
LOCKING_NUT			
SIZE	FSCM NO.	DRAWING NO.	
C		1	
SCALE 2.000		SHEET 1	