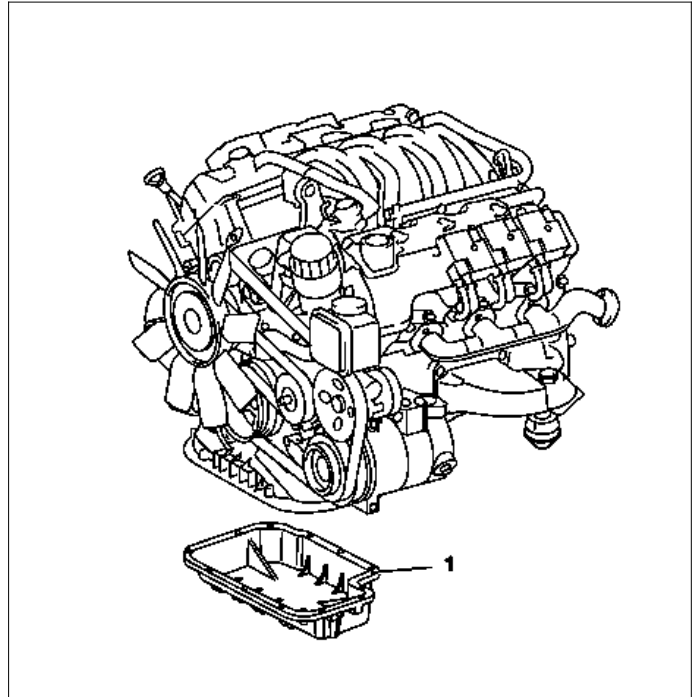


ENGINES 112.945 in MODEL 463.209 /232 /233 /244 /245 /250
ENGINES 112 in MODELS 129, 170, 202, 208, 210
ENGINES 113.962 in MODEL 463.206 /240 /241 /247 /248 /249 /254
ENGINES 113 in MODEL 129, 202, 208, 210
ENGINES 113.982 in MODEL 463.243 /246
ENGINES 112 (except 112.975) in MODEL 220
ENGINES 113 / (except 113.966 /948) in MODEL 220
ENGINES 113.993 in MODEL 463.270 /271

1 Oil pan bottom section



P01.45-2003-12

☒ ☒	Remove/install		
	⚠ Danger!	Risk of death caused by vehicle slipping or toppling off of the lifting platform.	Align vehicle between columns of vehicle lift and position four support plates at vehicle lift support points specified by vehicle manufacturer.
	1	Lift/jack up vehicle	All except model 463. Model 463. only AR00.60-P-1000G
	2.1	Remove engine compartment paneling	All except model 463, 220, 170 Model 220 Model 170 AR61.20-P-1105AB AR61.20-P-1105M AR61.20-P-1105A
	2.2	Remove underride guard	i Only model 463 except 463.246/271. On model 463.246 with engine 113.982 On model 463.271 with AMG underride guard in stainless steel. AR88.30-P-0010MG AR88.30-P-0010MG
	3	Drain/collect engine oil	i Installation: Replace sealing ring of oil drain screw. Nm ⚙ *BA01.45-P-1003-01B *BF18.00-P-1001-01H
	4	Detach bracket of automatic oil lines at oil pan bottom section (1)	
	5	Remove oil pan bottom section (1) i Notes on sealant path for oil pan	i Installation: Observe application of sealant to oil pan bottom section: ↓ Engine 112 Engine 113.940/943/944/961/980/984 Engine 113.941/942/960/962/981/982/993 Nm Loctite 5970 sealant AH01.45-P-0001-01C AH01.45-P-0001-01D AH01.45-P-0001-01E *BA01.45-P-1002-01B *BR00.45-Z-1013-01A
	6	Install in the reverse order	

Nm Oil pan


Number	Designation	Engine 112.910/911/ 912/913/914/ 915/917/920/ 921/922/923/ 940/941/942/ 943/944/945/ 946/947/949/ 951/954/955/ 960/961/970/ 972/973/976	Engine 113.940/941/ 942/943/944/ 945/946/960/ 961/962/963/ 965/967/968/ 969/980/981/ 982/984/986/ 992/995	Engine 113.987/ 988/991		
BA01.45-P-1002-01B	Self-tapping screw, oil pan to oil pan	Thread not pre-tapped	Nm	14	14	-
		Thread pre-tapped	Nm	10	10	10
BA01.45-P-1003-01B	Oil drain screw on oil pan	M14	Nm	30	30	30

Engine lubrication

Number	Designation	Engine 112 (shortened maintenance interval) except 112.916/953/975	Engine 112 (maximum maintenance interval) except 112.916/953/975		
BF18.00-P-1001-01H	Engine oil	Filling capacity with oil filter	Liters	8.0	8.0
		Filling capacity without oil filter	Liters	7.5	7.5
		Specifications for Operating Fluids	Sheet	BB00.40-P-0229-01A	-
			Sheet	BB00.40-P-0229-03A	-
			Sheet	BB00.40-P-0229-05A	BB00.40-P-0229-05A

Engine lubrication

Number	Designation	Engine 113.940/941/ 942/943/960/ 961/962/969/ 982 (shortened maintenance interval)	Engine 113.940/941/ 942/943/960/ 961/962/969/ 982 (maximum maintenance interval)		
BF18.00-P-1001-01H	Engine oil	Filling capacity with oil filter	Liters	8.0	8.0
		Filling capacity without oil filter	Liters	-	-
		Specifications for Operating Fluids	Sheet	BB00.40-P-0229-01A	-
			Sheet	BB00.40-P-0229-03A	-
			Sheet	BB00.40-P-0229-05A	BB00.40-P-0229-05A

 **Engine lubrication**

Number	Designation	Engine 113.944/980/981/ 984/986/991	Engine 113.987/988/ 990/992/993/ 995	
BF18.00-P-1001-01H	Engine oil Filling capacity with oil filter	Liters	7.5	8.5
	Filling capacity without oil filter	Liters	-	8.0
	Specifications for Operating Fluids	Sheet	-	-
		Sheet	-	-
		Sheet	BB00.40-P-0229-05A	BB00.40-P-0229-05A

Repair materials

Number	Designation	Order number
BR00.45-Z-1013-01A	Loctite 5970 sealant	A 003 989 98 20