

Service Manual



BUGERA MAGICIAN INFINIUM

Boutique-Style 85-Watt 3-Channel Valve Combo with
INFINIUM Valve Life Multiplier, Multi-Class A/AB
Operation and VARIPOWER

Specifications	2
PCB Schematic	3
Parts List	10
Exploded Drawing	32

bugera-amps.com

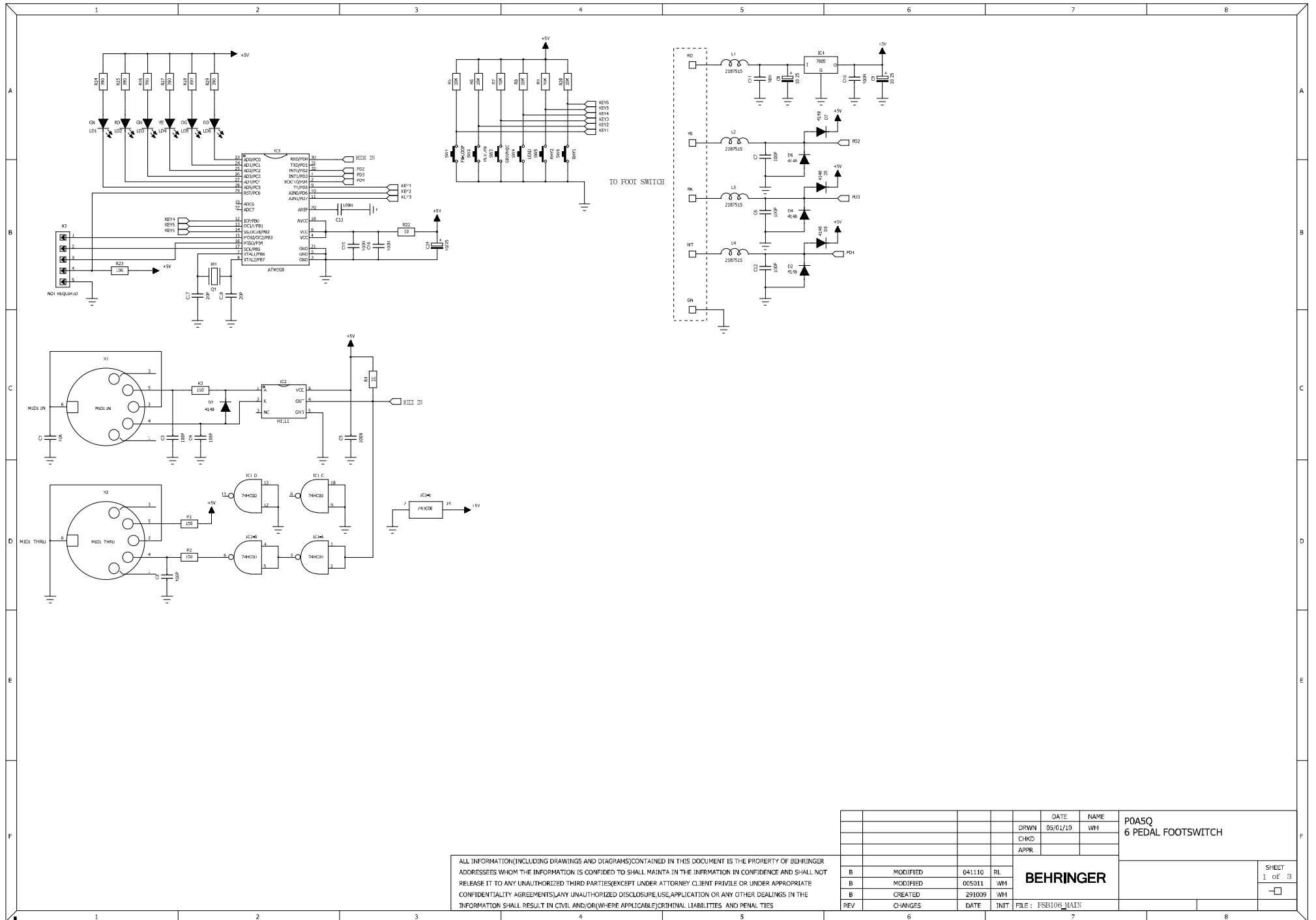


©2012 MUSIC Group IP Ltd. All third party trademarks mentioned belong to their respective owners and are not affiliated with MUSIC Group IP Ltd. All information (including drawings and diagrams) contained in this document is the property of MUSIC Group IP Ltd., its subsidiaries or content providers, and is protected by intellectual property (copyright, trademark, patents, etc) laws, international treaty provisions and other laws. Any unauthorized disclosure, use, application, reproduction, modification, lease, sale, transmission or any other dealings in the information may violate applicable laws and result in civil and/or (where applicable) criminal liabilities and penalties.

BUGERA MAGICIAN INFINIUM

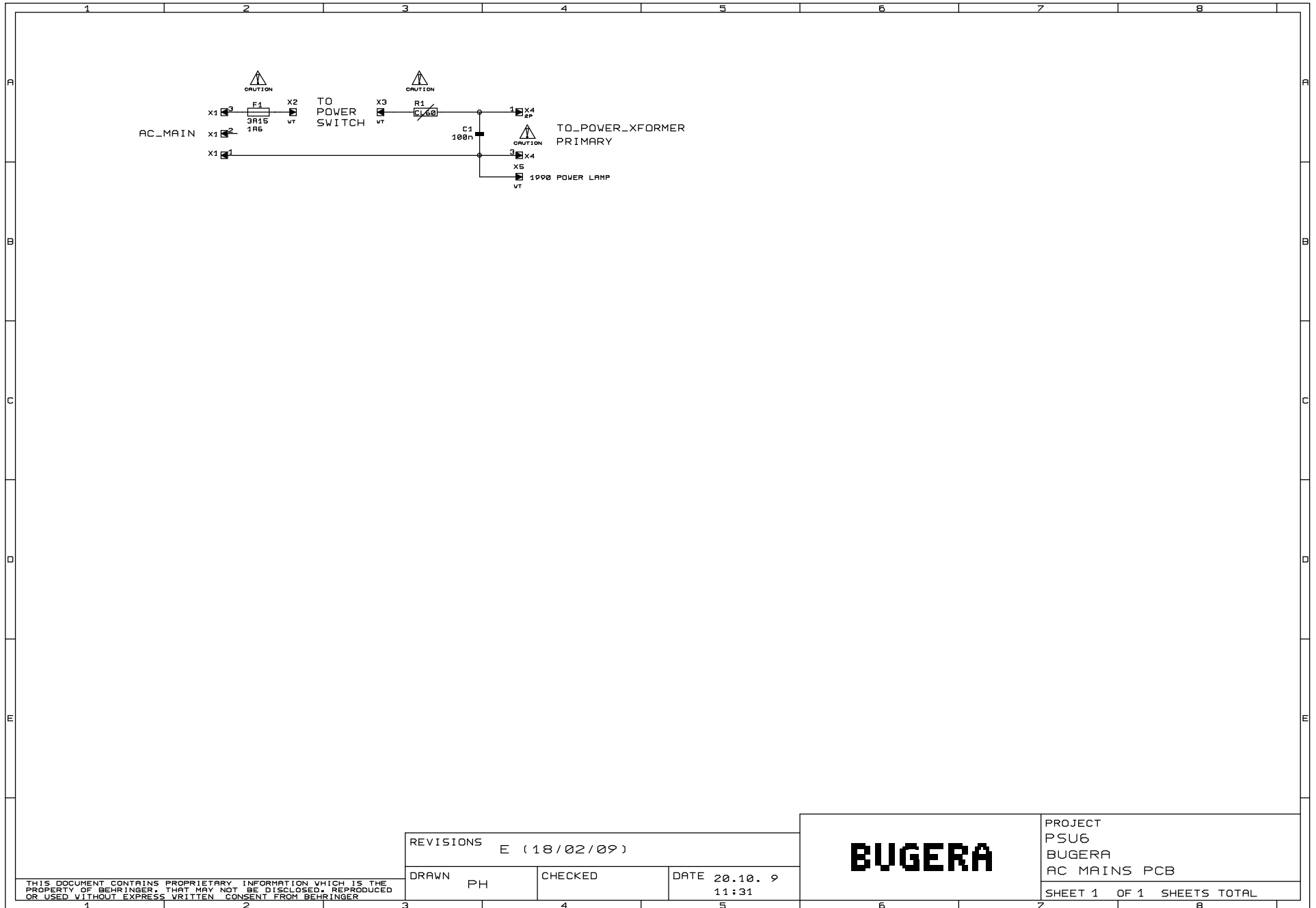
Specifications

- Hand-built 85-Watt guitar combo driven by 4 x 6L6 valves (now fully compatible with EL34 and 5881, etc.)
- Original 12" BUGERA Neo-Vintage speaker for true vintage sound, high sensitivity and light weight
- Revolutionary INFINIUM Valve Life Multiplier technology:
 - Extends the life of your amplifier's expensive power valves up to 20 times.
 - Provides incredible reliability and consistent tone over the complete lifespan of your valves
 - No need for expensive matched valve sets
 - Allows you to mix and match any combination of compatible valve types and brands
 - Monitors performance of each power tube continuously and displays defective valves to allow for easy and individual replacement
- 3-channel preamp design (Rhythm 1, Rhythm 2, Lead) featuring 4 x 12AX7 valves—everything from purring blues to mind-blowing crunch
- VARIPOWER control allows the maximum power to be seamlessly scaled down to produce a cranked amp sound at much lower volumes
- Multi-Class mode features either Class-A or combined Class-A/AB, blending Class-A purity with the raw power punch of Pentode Class-AB
- Integrated high-class reverb with dedicated Reverb control
- Switchable Triode/Pentode operation for ultimate power amp voicing: Triode for classic warmth and Pentode for raw, high-speed power
- Dedicated Gain, Presence and Volume controls and several voicing switches per channel for awesome sound shaping
- Multi-gain stage Lead channel with voicing switch (Mid Gain/Sparkle)
- Heavy-duty 6-button footswitch for channel selection, Graphic EQ, Reverb and FX Loop function included—doubles as MIDI IN / THRU for complete MIDI remote switching
- Assignable 5-band graphic EQ for ultimate sound shaping
- Manual or auto-assignable FX Loop with independent Send and Return level controls
- Compensated recording output with switchable Recording Mute function plus Line output with dedicated Level control
- Multi-impedance output connectors (4 and 8 Ohms) to match virtually any speaker cabinet
- External Switching connectors for remote control of channel selection, Reverb, Graphic EQ and FX Loop
- High-quality components and exceptionally rugged construction ensure long life



ALL INFORMATION (INCLUDING DRAWINGS AND DIAGRAMS) CONTAINED IN THIS DOCUMENT IS THE PROPERTY OF BEHRINGER ADDRESSES WHOM THE INFORMATION IS CONFIDED TO SHALL MAINTAIN THE INFORMATION IN CONFIDENCE AND SHALL NOT RELEASE IT TO ANY UNAUTHORIZED THIRD PARTIES (EXCEPT UNDER ATTORNEY-CLIENT PRIVILEGE OR UNDER APPROPRIATE CONFIDENTIALITY AGREEMENTS), ANY UNAUTHORIZED DISCLOSURE, USE, APPLICATION OR ANY OTHER DEALINGS IN THE INFORMATION SHALL RESULT IN CIVIL AND/OR (WHERE APPLICABLE) CRIMINAL LIABILITIES AND PENAL TIES

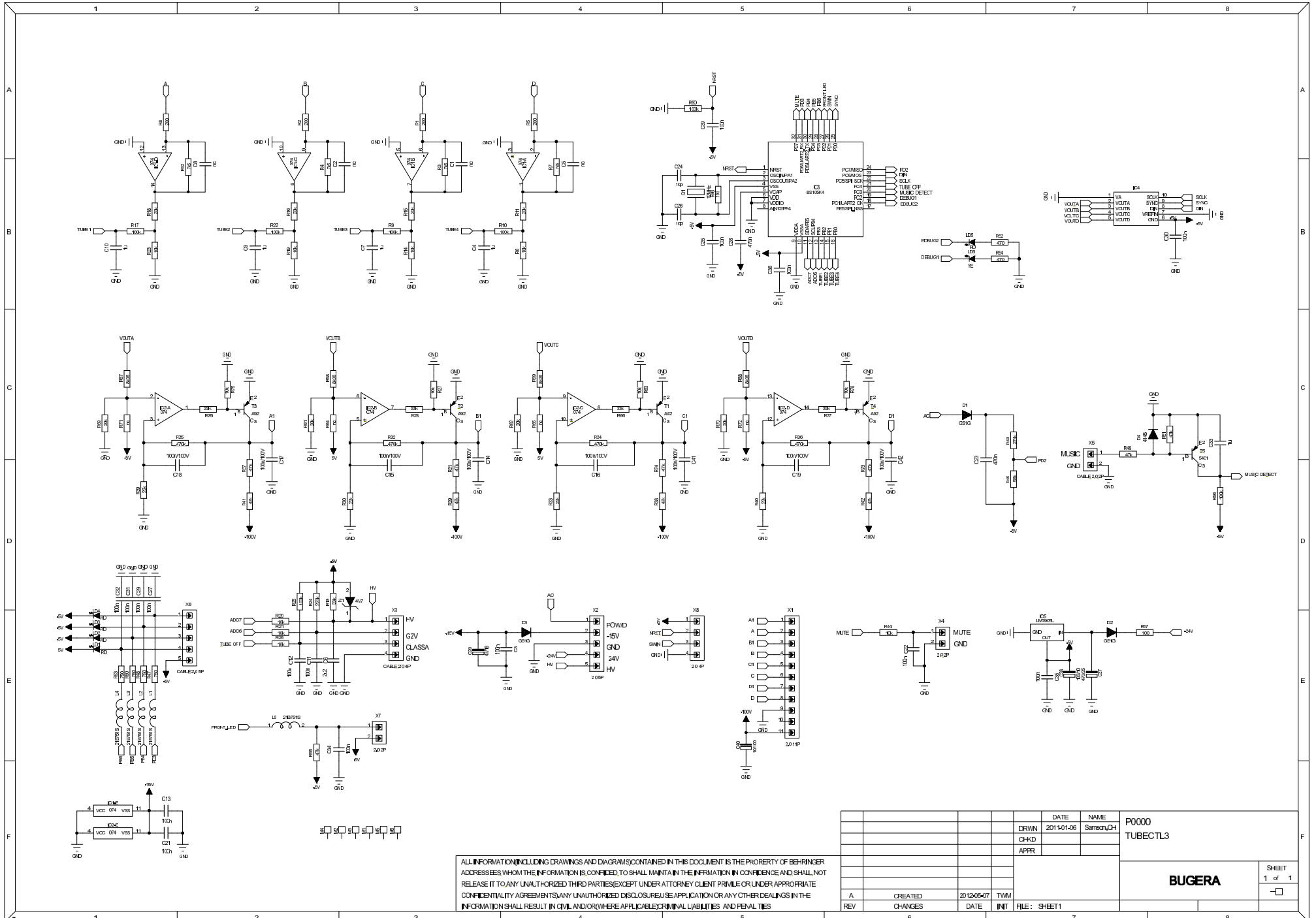
DATE		NAME		P0A5Q 6 PEDAL FOOTSWITCH	
DRWN	05/01/10	WM			
CHKD					
APPR					
B	MODIFIED	041110	RL	BEHRINGER	SHEET 1 of 3
B	MODIFIED	005011	WM		
B	CREATED	291009	WM		
REV	CHANGES	DATE	INT	FILE: FSB106_MAIN	



REVISIONS E (18/02/09)		
DRAWN PH	CHECKED	DATE 20.10. 9 11:31

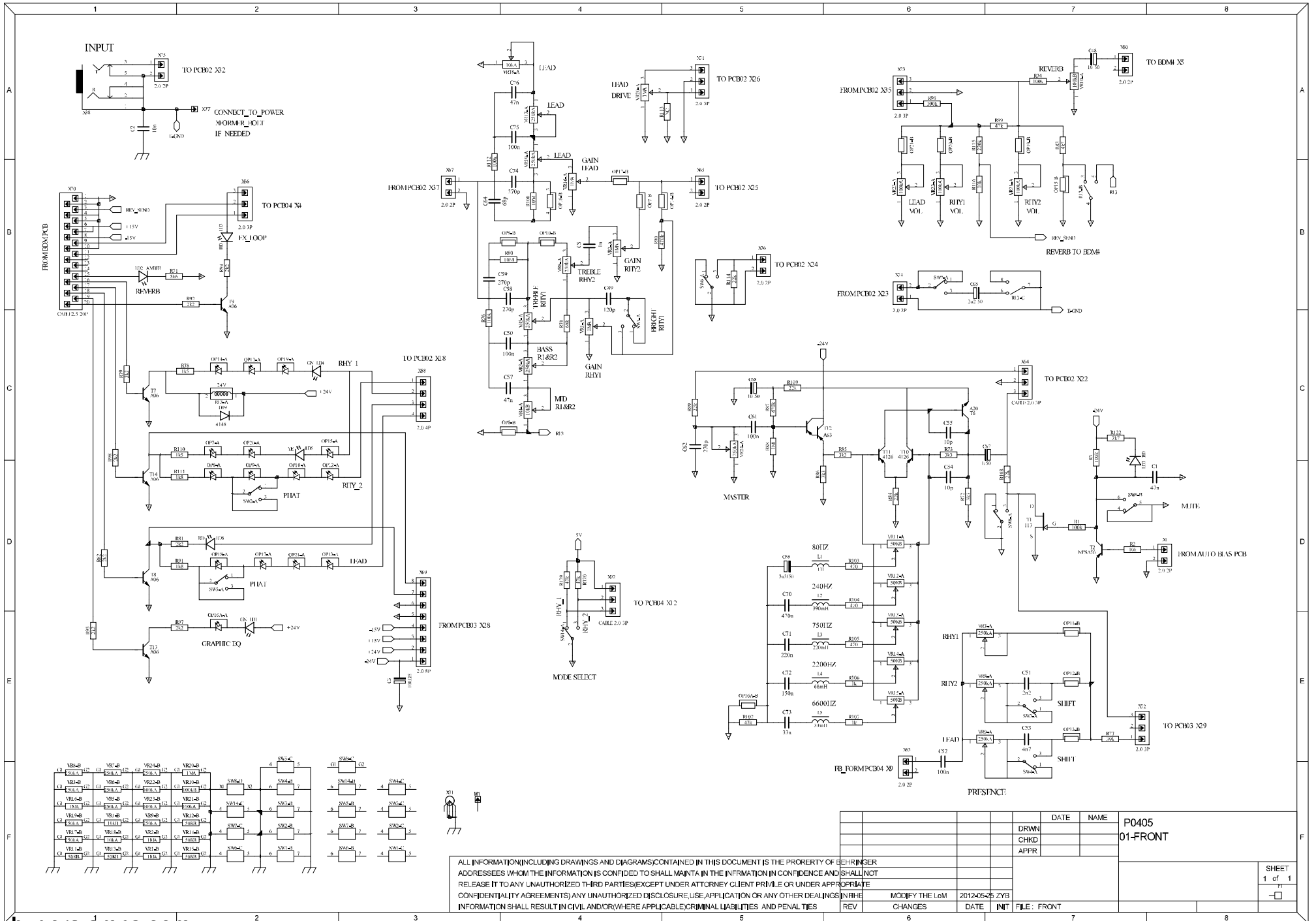
BUGERA	PROJECT PSU6 BUGERA AC MAINS PCB
	SHEET 1 OF 1 SHEETS TOTAL

THIS DOCUMENT CONTAINS PROPRIETARY INFORMATION WHICH IS THE PROPERTY OF BEHRINGER. THAT MAY NOT BE DISCLOSED, REPRODUCED OR USED WITHOUT EXPRESS WRITTEN CONSENT FROM BEHRINGER



ALL INFORMATION INCLUDING DRAWINGS AND DIAGRAMS CONTAINED IN THIS DOCUMENT IS THE PROPERTY OF BEHRINGER ADDRESSEES WHOM THE INFORMATION IS CONFIDED, TO SHALL MAINTAIN THE INFORMATION IN CONFIDENCE AND SHALL NOT RELEASE IT TO ANY UNAUTHORIZED THIRD PARTIES EXCEPT UNDER ATTORNEY CLIENT PRIVILEGE OR UNDER APPROPRIATE CONFIDENTIALITY AGREEMENTS. ANY UNAUTHORIZED DISCLOSURE, REUSE, APPLICATION OR ANY OTHER DEALINGS IN THE INFORMATION SHALL RESULT IN CIVIL AND/OR WHERE APPLICABLE CRIMINAL LIABILITIES AND PENALTIES.

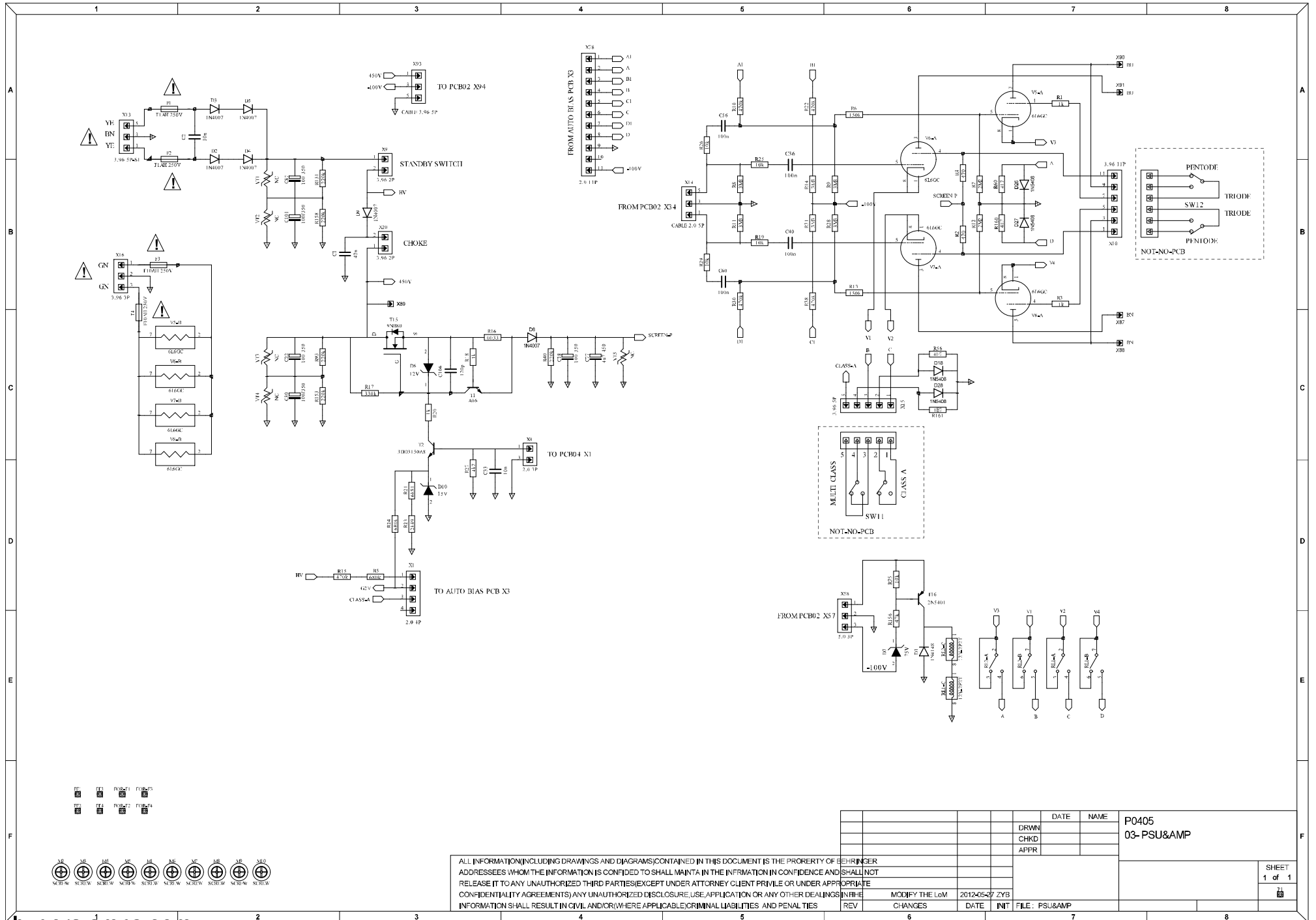
DATE	2014-06	NAME	SamsongH	P0000 TUBECTL3
DRWN		CHKD		
APPR				
REV	CREATED	20120507	TWM	BUGERA
	CHANGES	DATE	INT FILE: SHEET1	
				SHEET 1 of 1



DRWN	DATE	NAME	P0405 01-FRONT
CHKD			
APPR			
REV	DATE	INIT	FILE: FRONT

ALL INFORMATION (INCLUDING DRAWINGS AND DIAGRAMS) CONTAINED IN THIS DOCUMENT IS THE PROPERTY OF BEHRINGER. ADDRESSES WHOM THE INFORMATION IS CONFIDED TO SHALL MAINTAIN THE INFORMATION IN CONFIDENCE AND SHALL NOT RELEASE IT TO ANY UNAUTHORIZED THIRD PARTIES (EXCEPT UNDER ATTORNEY CLIENT PRIVILEGE OR UNDER APPROPRIATE CONFIDENTIALITY AGREEMENTS). ANY UNAUTHORIZED DISCLOSURE, USE, APPLICATION OR ANY OTHER DEALINGS IN THE INFORMATION SHALL RESULT IN CIVIL AND/OR WHERE APPLICABLE, CRIMINAL LIABILITIES AND PENAL TIES.

SHEET
1 of 1



R1	R2	R3	R4	R5	R6	R7	R8	R9	R10	R11	R12	R13	R14	R15	R16	R17	R18	R19	R20	R21	R22	R23	R24	R25	R26	R27	R28	R29	R30	R31	R32	R33	R34	R35	R36	R37	R38	R39	R40	R41	R42	R43	R44	R45	R46	R47	R48	R49	R50	R51	R52	R53	R54	R55	R56	R57	R58	R59	R60
C1	C2	C3	C4	C5	C6	C7	C8	C9	C10	C11	C12	C13	C14	C15	C16	C17	C18	C19	C20	C21	C22	C23	C24	C25	C26	C27	C28	C29	C30	C31	C32	C33	C34	C35	C36	C37	C38	C39	C40	C41	C42	C43	C44	C45	C46	C47	C48	C49	C50	C51	C52	C53	C54	C55	C56	C57	C58	C59	C60

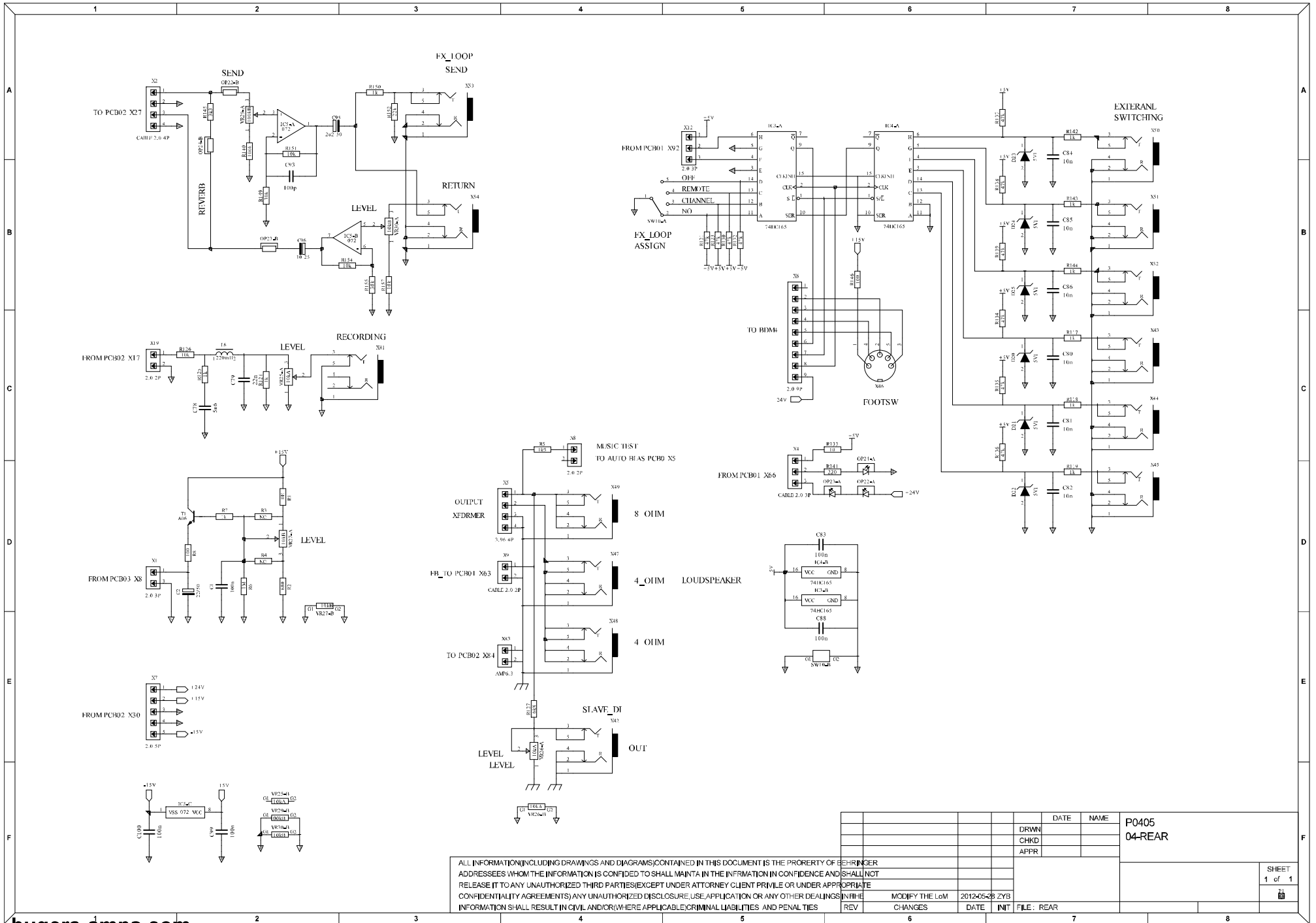


ALL INFORMATION (INCLUDING DRAWINGS AND DIAGRAMS) CONTAINED IN THIS DOCUMENT IS THE PROPERTY OF BEHRINGER ADDRESSEES WHOM THE INFORMATION IS CONFIDED TO SHALL MAINTAIN THE INFORMATION IN CONFIDENCE AND SHALL NOT RELEASE IT TO ANY UNAUTHORIZED THIRD PARTIES EXCEPT UNDER ATTORNEY CLIENT PRIVILEGE OR UNDER APPROPRIATE CONFIDENTIALITY AGREEMENTS. ANY UNAUTHORIZED DISCLOSURE, USE, APPLICATION OR ANY OTHER DEALINGS IN THE INFORMATION SHALL RESULT IN CIVIL AND/OR WHERE APPLICABLE, CRIMINAL LIABILITIES AND PENAL TIES.

		DATE	NAME
DRWN			
CHKD			
APPR			

REV	MODIFY THE LoM	2012-05-27	ZYB
CHANGES	DATE	INIT	FILE: PSU&

P0405
03-PSU&
SHEET 1 of 1



ALL INFORMATION (INCLUDING DRAWINGS AND DIAGRAMS) CONTAINED IN THIS DOCUMENT IS THE PROPERTY OF BEHRINGER. ADDRESSEES WHOM THE INFORMATION IS CONFIDED TO SHALL MAINTAIN THE INFORMATION IN CONFIDENCE AND SHALL NOT RELEASE IT TO ANY UNAUTHORIZED THIRD PARTIES (EXCEPT UNDER ATTORNEY CLIENT PRIVILEGE OR UNDER APPROPRIATE CONFIDENTIALITY AGREEMENTS). ANY UNAUTHORIZED DISCLOSURE, USE, APPLICATION OR ANY OTHER DEALINGS IN THE INFORMATION SHALL RESULT IN CIVIL AND/OR WHERE APPLICABLE, CRIMINAL LIABILITIES AND PENAL TIES.		DATE	NAME	P0405 04-REAR	SHEET 1 of 1	
REV	CHANGES	DATE	INIT			FILE: REAR
DRWN	CHKD	APPR				

Pcbs

	Quantity	Item	Rev	Description	Reference Designators	Notes
1	1.0000	G40-00000-03009		PCB;2 LAYER;FR-4;LED;BUGERA;REV:A;NO:709020	[LED:00: {1.0}]	
2	1.0000	G40-00000-03543		PCB;2 LAYER;P0A5Q;B;005011	[P0A5Q:00: {1.0}]	
3	1.0000	G40-00000-59465		PCB;2 LAYER;P0000;A;210051;TUBECTL3_BLACK	[A:00: {1.0}]	
4	1.0000	G42-00000-05093		PCB;4 LAYER;P0000;A;911120;BDM4;BK	[00000: {1.0}]	
5	1.0000	G43-00000-05609		PCB;1 LAYER;CEM-1;PSU6;BUGERA;REV:E;NO:903040	[PSU6:00: {1.0}]	
6	1.0000	G44-00000-61527		PCB;CTI SPECIFIED;P0405;1;H;225051;FRONT	[P0405:01: {1.0}]	
7	1.0000	G44-00000-61528		PCB;CTI SPECIFIED;P0405;2;H;226051;MAIN	[P0405:02: {1.0}]	
8	1.0000	G44-00000-61529		PCB;CTI SPECIFIED;P0405;3;H;227051;POWER	[P0405:03: {1.0}]	
9	1.0000	G44-00000-61530		PCB;CTI SPECIFIED;P0405;4;H;228051;REAR	[P0405:04: {1.0}]	

Assembly

	Quantity	Item	Rev	Description	Reference Designators	Notes
1	4.0000	A33-00008-02630		MISCELLANEOUS;TUBE HOLDER;R-8;ALLOY;(VALVE AUDIO CONNEXTION)		
2	4.0000	A33-00046-02629		MISCELLANEOUS;TUBE;9G-46;ALUMINIUM;(VALVE AUDIO CONNEXTION)		
3	1.0000	A31-00000-07950		FAN;BRUSHLESS;L:80mm;TH:25mm;24V;120mA :CAB/TUBE:300mm;W/ P2mm;A2006H-2P		(EU, UL, JP, UK, SAA, CCC, BR)
4	1.0000	A31-00000-07950		FAN;BRUSHLESS;L:80mm;TH:25mm;24V;120mA :CAB/TUBE:300mm;W/ P2mm;A2006H-2P		

Cable

	Quantity	Item	Rev	Description	Reference Designators	Notes
1	15.0000	A74-00040-12720		CABLE;FLAT;P2mm54;LENGTH:120mm;AWG:28;FC2/FD +20/-0mm;POLES:20	[P0405:01: {15x1.0}()]	
2	1.0000	A77-00000-04675		CABLE;STRANDWIRE;AWG:18;UL1015;COMMON;70 MM;YE/GN;STRIP-TIN/LUG 4mm3;S/T LENGTH:7mm		
3	1.0000	A77-07027-20208		CABLE;STRANDWIRE;LENGTH:70mm;AWG:18;UL1015;STRIP-TIN/LUG 4mm3;S/T LENGTH:7mm;COLOR:YEL/GRN		
4	2.0000	A77-18037-91204		CABLE;STRANDWIRE;LENGTH:180mm;ZEE;AWG:18;UL1672;S/T LENGTH:7mm;STRIPPED AND TINNED;COLOR:WHITE	[PSU6:00: {2.0}()]	
5	2.0000	A77-20037-66204		CABLE;STRANDWIRE;LENGTH:200mm;AWG:18;UL1672;STRIPPED/TINNED BOTH SIDES 7mm;COLOR:WHITE		
6	4.0000	A77-47025-12201		CABLE;STRANDWIRE;LENGTH:470mm;AWG:18;UL1015;S/T LENGTH:5mm;AMP-CON 6mm3 ISO;COLOR:BLACK	[P0405:02: {4x1.0}()]	
7	4.0000	A81-00000-03805		WIRE HARNESS;AWG:26;UL1007;2 MM;5;COMMON;150 MM;RD/BK	[P0405:02: {4x1.0}()]	
8	1.0000	A81-00000-17628		WIRE HARNESS;AWG:26;UL1007;2 MM;3;320 MM;PIN1 RED;A2006H;P1018;NO PIN2	[P0405:03: {1.0}()]	
9	1.0000	A81-00000-17630		WIRE HARNESS;AWG:18;UL1015;3.96 MM;2;120 MM;PIN1 RED;JS1 121;STRIPPED/TINNED:7mm		
10	4.0000	A81-00000-17697		WIRE HARNESS;AWG:26;UL1007;2 MM;5;350 MM;PIN1 RED;A2006H-05;P1018-05;NO PIN2 and PIN4	[P0405:02: {4x1.0}()]	
11	2.0000	A81-00000-25415		WIRE HARNESS;AWG:18;UL1015;3.96 MM;4;120 MM;PIN1 RED;JS1 121-04;STRIPPED/TINNED:7mm		For PCB03:X15
12	4.0000	A81-00000-28269		WIRE HARNESS;AWG:26;UL2547;2 MM;3;200 MM;PIN1 RED;A2006H;P1018;SHIELD PIN2	[P0405:02: {4x1.0}()]	
13	1.0000	A81-00000-61608		WIRE HARNESS;AWG:26;UL2547;2 MM;5;PIN1 RED;180 MM;SHIELD PIN3; NO PIN2 and PIN4;A2006H-5P;P1018-5P	[P0405:03: {1.0}()]	
14	1.0000	A81-00000-61609		WIRE HARNESS;AWG:26;UL1007;2 MM;11;COMMON;PIN1 RED;200 MM;A2006H-11P;P1018-11P	[P0405:03: {1.0}()]	
15	4.0000	A81-04030-36005		WIRE HARNESS;LENGTH:40mm;AWG:26;P:2mm0;HOUSING - BOARD IN CONNECTOR;POLES:3;PIN1 RED/OTHERS BLK;PIN 2 SHIELDED	[P0405:02: {4x1.0}()]	
16	8.0000	A81-06030-26040		WIRE HARNESS;LENGTH:60mm;AWG:26;POLES:2;PIN 2 IS SHIELDED;HOUSING - BOARD IN CONNECTOR;P:2mm;PIN1 RED/OTHERS BLK	[P0405:02: {4x2.0}()]	
17	4.0000	A81-06030-36002		WIRE HARNESS;LENGTH:60mm;AWG:26;POLES:3;PIN 2 IS SHIELDED;HOUSING - BOARD IN CONNECTOR;P:2mm;PIN1 RED/OTHERS BLK	[P0405:02: {4x1.0}()]	
18	4.0000	A81-09030-26040		WIRE HARNESS;LENGTH:90mm;AWG:26;POLES:2;PIN 1 IS SHIELDED;HOUSING - BOARD IN CONNECTOR;P:2mm;PIN1 RED/OTHERS BLK	[P0405:02: {4x1.0}()]	

	Quantity	Item	Rev	Description	Reference Designators	Notes
19	4.0000	A81-12030-26040		WIRE HARNESS;LENGTH:120mm;AWG:26;POLES:2;HOUSING - BOARD IN CONNECTOR;P:2mm;PIN 2 IS SHIELDED;PIN1 RED/OTHERS BLK;SHIELDED	[P0405:02: {4x1.0}()]	
20	1.0000	A81-12030-36542		WIRE HARNESS;LENGTH:120mm;AWG:26;P:2mm;HOUSING-BOARD IN CONNECTOR;POLES;;PIN1 RED/OTHERS BLK		
21	4.0000	A81-12030-46042		WIRE HARNESS;LENGTH:120mm;AWG:26;HOUSING - BOARD IN CONNECTOR;POLES:4;P:2mm;PIN1 RED/OTHERS BLK	[P0405:02: {4x1.0}()]	
22	2.0000	A81-13071-12023		WIRE HARNESS;LENGTH:130mm;POLES:11;UL1015;P:3mm96; COLOURED;ONE SIDE 7mm STRIPPED/TINNED;PINS 2,4,6,8 AND 10 HAVE NO CONNECTION;SPECIAL		
23	3.0000	A81-14000-46042		WIRE HARNESS;LENGTH:140mm;AWG:26;HOUSING - BOARD IN CONNECTOR;POLES:4;P:2mm;PIN1 RED/OTHERS BLK;PIN 2 AND 4 IS SHIELDED	[P0405:04: {3x1.0}()]	
24	4.0000	A81-14030-26040		WIRE HARNESS;LENGTH:140mm;AWG:26;POLES:2;PIN 2 IS SHIELDED;HOUSING - BOARD IN CONNECTOR;P:2mm;PIN1 RED/OTHERS BLK	[P0405:02: {4x1.0}()]	
25	1.0000	A81-14030-46042		WIRE HARNESS;LENGTH:140mm;AWG:26;HOUSING - BOARD IN CONNECTOR;POLES:4;P:2mm;PIN1 RED/OTHERS BLK	[P0405:03: {1.0}()]	
26	4.0000	A81-17030-56002		WIRE HARNESS;LENGTH:170mm;AWG:26;HOUSING - BOARD IN CONNECTOR;POLES:5;P:2mm;PIN1 RED/OTHERS BLK	[P0405:02: {4x1.0}()]	
27	4.0000	A81-18030-20042		WIRE HARNESS;LENGTH:180mm;AWG:26;P:2mm;HOUSING-BOARD IN CONNECTOR;POLES:2;PIN1 RED/OTHERS BLK	[P0405:02: {4x1.0}()]	
28	2.0000	A81-18070-22022		WIRE HARNESS;LENGTH:180mm;POLES:2;UL1015;P:3mm96;H OUSING-7mm STRIPPED/TINNED		For PCB03:X9
29	15.0000	A81-22000-36042		WIRE HARNESS;LENGTH:220mm;AWG:26;P:2mm0;HOUSING-BOARD IN CONNECTOR;POLES:3;PIN1 RED/OTHERS BLK;PIN 2 IS SHIELDED	[P0405:01: {15x1.0}()]	
30	3.0000	A81-26030-36042		WIRE HARNESS;LENGTH:260mm;AWG:26;P:2mm;A2006;ZEE;H OUSING-BOARD IN CONNECTOR;POLES:3;PIN1 RED/OTHERS BLK	[P0405:04: {3x1.0}()]	
31	15.0000	A81-28030-36042		WIRE HARNESS;LENGTH:280mm;AWG:26;HOUSING - BOARD IN CONNECTOR;POLES:3;P:2mm;PIN1 RED/OTHERS BLK	[P0405:01: {15x1.0}()]	
32	4.0000	A81-28030-86040		WIRE HARNESS;LENGTH:280mm;AWG:26;HOUSING - BOARD IN CONNECTOR;POLES:8;P:2mm;PIN1 RED/OTHERS BLK	[P0405:02: {4x1.0}()]	
33	7.0000	A81-32030-26002		WIRE HARNESS;LENGTH:320mm;AWG:26;P:2mm;HOUSING-	[P0405:02: {4x1.0}()]	

	Quantity	Item	Rev	Description	Reference Designators	Notes
				SHIELDED;POLES:2;PIN1 RED/OTHERS BLK		
34	15.0000	A81-42030-26042		WIRE HARNESS;LENGTH:420mm;AWG:26;UL1015;P:2mm;HO USING - BOARD IN CONNECTOR;POLES:2;PIN1 RED/OTHERS BLK;SHIELDED	[P0405:01: {15x1.0}()]	
35	2.0000	A88-00000-27086		CABLE;SPEAKER;AWG:18;2;400 MM;BLACK/RED;E166193;6mm35 MONO CONNECTOR ANGLED 1/4 C/STRIP-TIN 40-5mm;5.2mm AMP		
36	1.0000	A89-50051-04596		FOOTSWITCH CABLE;FSB104;LENGTH:5M;POLES:5;COLOR:BLK;CONNE CTOR:DIN 5P MALE		
37	4.0000	A81-00000-25417		WIRE HARNESS;AWG:18;UL1015;3.96 MM;5;100 MM;PIN1 RED;2JS4008;NO PIN2 and PIN4	[P0405:02: {4x1.0}()]	(EU, UL, JP, UK, SAA, CCC, BR)
38	15.0000	A81-00000-25418		WIRE HARNESS;AWG:26;UL1533;2 MM;2;450 MM;PIN1 RED;2A2006H;SHIELD PIN2	[P0405:01: {15x1.0}()]	(EU, UL, JP, UK, SAA, CCC, BR)
39	1.0000	A76-15032-55649		CABLE;AC-CORD;CLASS II;W/POLYBAG;JAPAN;LENGTH:150cm;POLES:3;APPROV AL:PSE;JS15S3 + VCTF 3x0.75mm2 + V1528		(JP)
40	1.0000	A76-15062-45714		CABLE;AC- CORD;W/POLYBAG;LENGTH:150cm;POLES:3;APPROVAL: CCC;HC103 + 227 IEC 53 (RVV) 3x0.75mm2 + HE109B		(CCC)
41	1.0000	A76-15222-06417		CABLE;AC- CORD;W/POLYBAG;LENGTH:152cm;AWG:18;VERSION;U L;SPEC.NO:06417		(UL)
42	1.0000	A76-18050-47490		CABLE;AC- CORD;LENGTH:180cm;VERSION:SAA;PLUG:HE105 ISOLATED;SAA H05VV-F 3x0.75mm2;CONN.HP- 3;SPEC.NO:47490		(SAA)
43	15.0000	A81-00000-25418		WIRE HARNESS;AWG:26;UL1533;2 MM;2;450 MM;PIN1 RED;2A2006H;SHIELD PIN2	[P0405:01: {15x1.0}(FX60)]	
44	1.0000	A76-00000-05305		CABLE;AC-CORD;3;BR;1500 MM;Plug + Connector:375+730;H05VV-F 3G0.75		(BR)
45	4.0000	A81-00000-25416		WIRE HARNESS;AWG:26;UL1007;2 MM;9;270 MM;PIN1 RED;2A2006H	[00000: {1.0}()] [P0405:04: {3x1.0}(FX6)]	(EU, UL, JP, UK, SAA, CCC, BR)
46	1.0000	A76-15042-05624		CABLE;AC-CORD;W/POLYBAG;LENGTH:150cm;H05VV- F3G0.75MM2;VERSION;UK;SPEC.NO:05624		(UK)
47	4.0000	A81-00000-25416		WIRE HARNESS;AWG:26;UL1007;2 MM;9;270 MM;PIN1 RED;2A2006H	[00000: {1.0}()] [P0405:04: {3x1.0}()]	For PCB04:X6
48	1.0000	A76-15212-03119		CABLE;AC-CORD;W/POLYBAG;LENGTH:152cm;H05VV-F 3G 0.75MM2;VERSION;EU;SPEC.NO:03119		(EU)
49	4.0000	A81-00000-25417		WIRE HARNESS;AWG:18;UL1015;3.96 MM;5;100 MM;PIN1 RED;2JS4008;NO PIN2 and PIN4	[P0405:02: {4x1.0}(X94)]	

Circuit Protector

	Quantity	Item	Rev	Description	Reference Designators	Notes
1	12.0000	B21-15201-52000		FUSE;250V;SERIES;520;PLATING;ZINC	[P0405:02: {4.0}{}] [P0405:03: {8.0}{}]	
2	1.0000	B22-01513-31501		FUSE;3A15;250V;SLOW BLOW;H-TYPE;5mm x 20mm		(EU, UK, SAA, CCC, BR)
3	1.0000	B22-01614-10004		FUSE;10A;250V;FAST BLOW;H-TYPE;5mm x 20mm		(UL, JP, UK, SAA, CCC)
4	2.0000	B22-01613-10001		FUSE;1A0;250V;FAST BLOW;H-TYPE;5mm x 20mm		(UL, JP, UK, SAA, CCC)
5	2.0000	B22-01513-10001		FUSE;1A0;250V;SLOW BLOW;H-TYPE;5mm x 20mm		(UL, JP, UK, SAA, CCC)
6	1.0000	B22-01516-30001		FUSE;6A3;250V;SLOW BLOW;H-TYPE;5mm x 20mm		(UL, JP)
7	1.0000	B22-01513-31501		FUSE;3A15;250V;SLOW BLOW;H-TYPE;5mm x 20mm		

Coil

	Quantity	Item	Rev	Description	Reference Designators	Notes
1	1.0000	B33-46801-03250		COIL;68mH;PITCH:12mm4;RAD;(3L:SI210709-683N)	[P0405:01: {1.0}{}]	
2	1.0000	B33-53901-03252		COIL;390mH;PITCH:12mm4;RAD;(3L:SI210709-394N)	[P0405:01: {1.0}{}]	
3	7.0000	B39-00000-01046		COIL;SMD;1000 OHMS;0.8 MM;SMD;DCR <0.9ohm,Fs 100MHz, IR 100mA,4*0603	[00000: {7.0}{}]	CUTOFF: IDENTIFIED FROM L-SMD/1000H/0.8MM/S*
4	12.0000	B39-00000-03394		COIL;SMD;BEAD;SMD0805;(BLM21BD751SN1D)	[P0A5Q:00: {4.0}{}] [00000: {3.0}{}] [A:00: {5.0}{}]	
5	1.0000	B33-43301-03249		COIL;33mH;PITCH:12mm4;RAD;(3L:SI210709-333N)	[P0405:01: {1.0}{}]	(EU, UL, JP, UK, SAA, CCC, BR)
6	2.0000	B33-52201-03251		COIL;220mH;PITCH:12mm4;RAD;(3L:SI210709-224N)	[P0405:01: {1.0}{}] [P0405:04: {1.0}(L6)]	(EU, UL, JP, UK, SAA, CCC, BR)
7	2.0000	B33-52201-03251		COIL;220mH;PITCH:12mm4;RAD;(3L:SI210709-224N)	[P0405:01: {1.0}{}] [P0405:04: {1.0}{}]	
8	2.0000	B33-61001-03253		COIL;1H;PITCH:12mm4;RAD;(3L SI210709-105N)	[P0405:01: {1.0}{}] [P0405:02: {1.0}{}]	(EU, UL, JP, UK, SAA, CCC, BR)
9	1.0000	B33-43301-03249		COIL;33mH;PITCH:12mm4;RAD;(3L:SI210709-333N)	[P0405:01: {1.0}(L5)]	
10	2.0000	B33-61001-03253		COIL;1H;PITCH:12mm4;RAD;(3L SI210709-105N)	[P0405:01: {1.0}{}] [P0405:02: {1.0}(L7)]	

Connector

	Quantity	Item	Rev	Description	Reference Designators	Notes
1	3.0000	B84-39000-03120		CONNECTOR;AMP;PCB;PCB MOUNT;PITCH:5mm;WIDTH:6mm3	[P0405:04: {3x1.0}()]	

Diode

	Quantity	Item	Rev	Description	Reference Designators	Notes
1	3.0000	C11-02014-14843		DIODE;1N4148;DO35	[P0405:01: {1.0}()] [P0405:02: {1.0}()] [P0405:03: {1.0}()]	
2	14.0000	C11-03014-00700		DIODE;1N4007;DO41	[P0405:02: {8.0}()] [P0405:03: {6.0}()]	
3	18.0000	C11-09014-14802		DIODE;LL4148;LL34;TEMIC OR FC	[P0A5Q:00: {7.0}()] [00000: {10.0}()] [A:00: {1.0}()]	
4	3.0000	C11-20370-00124		DIODE;GP;GS1G;400V;1A;DO-214AC;SMD	[A:00: {3.0}()]	
5	1.0000	C12-00000-17451		DIODE;ZENER;75 V;DO41;1N4761A REEL	[P0405:03: {1.0}()]	
6	6.0000	C12-02100-05143		DIODE;ZPD05V1;DO35;TEMIC OR FC	[P0405:04: {6.0}()]	
7	1.0000	C12-03300-12043		DIODE;ZD12V0;BZX85C12;DO41	[P0405:03: {1.0}()]	
8	1.0000	C12-03300-15043		DIODE;ZD15V0;BZX85C15;DO41	[P0405:03: {1.0}()]	
9	1.0000	C12-14200-04703		DIODE;ZMM04V7;SMD1206;SMD	[A:00: {1.0}()]	
10	4.0000	C13-08010-00080		DIODE;1N5408;DO201AD;TAPING	[P0405:03: {4.0}()]	

Hardware

	Quantity	Item	Rev	Description	Reference Designators	Notes
1	5.0000	F83-04000-00021		CABLE TIE;NYLON;4in;COLOR:		
2	1.0000	F83-10044-05631		WIRECLAMP;LUG:4mm4;LENGTH:56mm;OUTER DIA;8mm;PLASTIC COVERED STEEL;COLOR:BLK		
3	2.0000	F85-00000-13186		HEX.NUT;12 MM;2 MM;NICKEL;SILVER;0.75 MM		
4	4.0000	F85-03000-44001		HEX.NUT;INNER DIA;M3mm;SURFACE:ZINC	[P0A5Q:00: {1.0}] [00000: {1.0}]	
5	31.0000	F85-04000-21007		T-NUT;INNER DIA;M4mm;W/PRONG;SURFACE:ZINC/BLACK		
6	9.0000	F85-04000-44001		HEX. NUT;INNER DIA;M4mm;SURFACE:ZINC		
7	12.0000	F85-05008-21007		T-NUT;INNER DIA;M5mm;THICK:8mmW/PRONG;SURFACE:ZINC;COLOR:BLACK		
8	25.0000	F85-09020-44755		HEX. NUT;THREAD:9mm;THICKNESS:2mm;PITCH:0mm75;SURFACE:NICKEL;(PHONE JACK)		
9	14.0000	F85-09535-45795		OCT. NUT;FOR JACK;3/8in;OCTWRENCH:14.5mm;THICKNESS:3.5mm;SURFACE:NICKEL/SILVER		
10	2.0000	F85-13000-44001		HEX. NUT;INNER DIA:13mm;SURFACE:ZINC		
11	4.0000	F87-00200-10103		RUBBER BUSHING;I00172P;DST.NO:002;DPT.NO:10103;(I00172P-RUBBER_BUSHING-REVB.dwf)		
12	6.0000	F87-01000-12070		PAD;RUBBER;6mm*2mm5;COLOR:BLK;DWG.NO:12070;(R14-GUITAR-RUBBERPAD-REVB.DWG)		
13	8.0000	F88-30034-10297		SCREW;M3mm*3mm;HEAD:PAN WASHER DIA 4mm5;INSERT:PHILIPS REC.;SURFACE:BLACK/ZINC		
14	28.0000	F88-30060-30291		SCREW;M3mm*6mm;HEAD:PAN;INSERT:PHILIPS REC.;SURFACE:SILVER/ZINC		
15	10.0000	F88-30060-30297		SCREW;M3mm*6mm;HEAD:PAN;INSERT:PHILLIPS REC.;SURFACE:BLACK/ZINC		
16	6.0000	F88-30060-50277		SCREW;M3mm*6mm;PITCH:0mm5;HEAD:FLAT;INSERT:PHILIPS REC.;SURFACE:BLACK/ZINC		
17	18.0000	F88-30080-30247		SCREW;BT3mm*8mm;HEAD:PAN;INSERT:PHILLIPS REC.;SURFACE:BLACK/ZINC		
18	1.0000	F88-30080-30291		SCREW;M3mm*8mm;HEAD:PAN;INSERT:PHILIPS REC.;SURFACE:ZINC	[P0A5Q:00: {1.0}]	
19	2.0000	F88-30100-30291		SCREW;M3mm*10mm;HEAD:PAN;INSERT:PHILIPS REC.;SURFACE:SILVER ZINC	[00000: {1.0}]	
20	7.0000	F88-30100-30297		SCREW;M3mm*10mm;HEAD:PAN;INSERT:PHILIPS REC.;SURFACE:BLACK/ZINC		
21	2.0000	F88-30120-30247		SCREW;BT3mm*12mm;HEAD:PAN;INSERT:PHILIPS		

	Quantity	Item	Rev	Description	Reference Designators	Notes
				REC.;SURFACE:BLACK/ZINC		
22	1.0000	F88-30120-30297		SCREW;M3mm*12mm;HEAD:PAN;INSERT:PHILIPS REC.;SURFACE:BLACK/ZINC		
23	4.0000	F88-40060-30291		SCREW;M4mm*6mm;HEAD:PAN;INSERT:PHILIPS REC.;SURFACE:SILVER/ZINC		
24	3.0000	F88-40080-20291		SCREW;M4mm*8mm;HEAD:BINDING;INSERT:PHILIPS REC.;SURFACE:SILVER/ZINC		
25	8.0000	F88-40120-20291		SCREW;M4mm*12mm;HEAD:BINDING;INSERT:PHILIPS REC.;SURFACE:SILVER/ZINC		
26	17.0000	F88-40130-30217		SCREW;A4mm*13mm;HEAD:PAN;INSERT:PHILIPS REC.;SURFACE:BLACK/ZINC		
27	10.0000	F88-40250-30297		SCREW;M4mm*25mm;HEAD:PAN;INSERT:PHILIPS REC.;SURFACE:BLACK/ZINC		
28	9.0000	F88-40310-40297		SCREW;M4mm*31mm;HEAD:TRUSS;INSERT:PHILIPS REC.;SURFACE:BLACK/ZINC		
29	2.0000	F88-40330-30291		SCREW;M4mm*33mm;HEAD:PAN;INSERT:PHILIPS REC.;SURFACE:SILVER/ZINC		
30	4.0000	F88-40330-60297		SCREW;M4mm*33mm;HEAD:OVAL;INSERT:PHILIPS REC.;SURFACE:BLACK/ZINC		
31	12.0000	F88-40340-40297		SCREW;M4mm*34mm;HEAD:TRUSS;INSERT:PHILIPS REC.;SURFACE:ZINC/BLACK		
32	4.0000	F88-40391-10217		SCREW;A4mm*39mm;HEAD:PAN WASHER DIA 9mm;INSERT:PHILIPS REC.;SURFACE:BLACK/ZINC		
33	2.0000	F88-40450-60297		SCREW;M4mm*45mm;HEAD:OVAL;INSERT:PHILIPS REC.;SURFACE:BLACK/ZINC		
34	4.0000	F88-50220-30297		SCREW;M5mm*22mm;HEAD:PAN;INSERT:PHILIPS REC.;SURFACE:BLACK/ZINC		
35	8.0000	F88-50220-60293		SCREW;M5mm*22mm;HEAD:OVAL;INSERT:PHILIPS REC.;SURFACE:SILVER/CHROME		
36	1.0000	F89-00000-02379		INSULATION SHEET;AL OXIDE;TO247;1mm		
37	4.0000	F91-03020-01251		CLIP-ON NUT;SQUARE STYLE;FOR M4 NUTS;PANEL THICKNESS:0mm4 TO 0mm6;SURFACE:ZINC/SILVER;(LAN-XIN LXJ12A)		
38	6.0000	F93-11000-04288		SPRING;CYLINDRICAL;FS112;6mm*14mm8;CARBON STEEL;DWG. NO:04288;(R14-FCB1010-SPRING- REVA.DWG)		
39	3.0000	F94-30100-15000		STUD;THREAD- DIA:3mm;LENGTH:10mm;EXT/INT;EXT:5mm;		
40	0.0200	F95-04000-01098		SHRINKING TUBE;INNER DIA;4mm;SPEC.NO:01098	[PSU6:00: {0.02}]	
41	14.0000	F96-00000-00836		WASHER;9.7 MM;16 MM;NICKEL;WHITE;WASHER;FLAT;DIM:9.7*16*0.5mm;NI C		
42	7.0000	F96-10300-60050		WASHER;PLAIN;INNER DIA:3mm;OUTER DIA:6mm;THICKNESS;0mm5	[POA5Q:00: {2.0}] [00000: {2.0}]	

	Quantity	Item	Rev	Description	Reference Designators	Notes
43	24.0000	F96-10400-80105		WASHER;PLAIN;INNER DIA:4mm;OUTER DIA:8mm;THICKNESS:1mm;PLATING;NICKEL		
44	4.0000	F96-10401-00109		WASHER;PLAIN;INNER DIA:4mm;OUTER DIA:10mm;THICKNESS;1mm;PLATING;BLACK/ZINC		
45	25.0000	F96-10961-30505		WASHER;PLAIN;INNER DIA:9mm6;OUTER DIA:13mm;THICKNESS;0mm5;PLATING;NICKEL		
46	4.0000	F96-11231-66055		WASHER;PLAIN;INNER DIA:12mm3;OUTER DIA:16mm6;THICKNESS:0mm5;SURFACE:NICKEL/SILVER		
47	2.0000	F96-21451-70155		WASHER;SPRING;INNER DIA:14mm5;OUTER DIA:17mm;THICKNESS:1mm5;PLATING;NICKEL		
48	3.0000	F96-40300-60050		WASHER;EXTERNAL TEETH;INNER DIA:3mm;OUTER DIA:6mm;THICKNESS:0mm5		
49	4.0000	F96-40300-60053		WASHER;EXTERNAL TEETH;INNER DIA:3mm;OUTER DIA:6mm;THICKNESS:0mm5;PLATING:CR(III)	[P0A5Q:00: {2.0}] [00000: {2.0}]	
50	18.0000	F96-40400-70170		WASHER;EXTERNAL TEETH;INNER DIA:4mm;OUTER DIA:7mm;THICKNESS;1mm7		
51	6.0000	F96-50551-60267		WASHER;DONUT;INNER DIA:5mm5;OUTER DIA:16mm;THICKNESS;2mm6;PLATING;BLACK/ZINC		
52	1.0000	F97-00100-09283		FOAM;M0011;DST.NO:001;DPT.NO:09283;(M0011-FOAM-REVA.dwf)		
53	2.0000	F97-00100-13202		FOAM;P0405;DST.NO:001;DPT.NO:13202;(P0405-FOAM-REVA.DWG)		
54	2.0000	F97-00200-14913		PAPERBOARD A;P0405;DST.NO:002;DPT.NO:14913;(P0405-PAPERBOARD_A-REVB.DWG)		
55	2.0000	F97-00200-14914		PAPERBOARD B;P0405;DST.NO:002;DPT.NO:14914;(P0405-PAPERBOARD_B-REVB.DWG)		
56	1.0000	F98-01400-04141		BUSHING;CABLE;FS112;NYLON;DWG.NO:04141;(R14-CABLEBUSHING-REVA.DWG)		
57	1.0000	F98-04400-27886		BUSHING;MINIATURE;NYLON;DWG.NO:27886;(R20-SC-PLA_NYLBUSHM3x1_4.DWG)		

lc

	Quantity	Item	Rev	Description	Reference Designators	Notes
1	1.0000	C60-00000-33663		IC;AD/DA;MSOP;DAC084S085	[A:00: {1.0}{}]	
2	1.0000	C60-22422-00528		IC;AD/DA;V4220M;SSOP	[00000: {1.0}{}]	
3	2.0000	C73-31007-40514		IC;OPAMP OPAMP;TL074;SOP;BRAND:ST ONLY	[A:00: {2.0}{}]	
4	1.0000	C73-58007-20108		IC;OPAMP OPAMP;TL072;DIP	[P0405:04: {1.0}{}]	
5	1.0000	C73-58007-22208		IC;OPAMP OPAMP;TL072;SOP;BRAND:ST ONLY	[00000: {1.0}{}]	
6	1.0000	C77-00000-28276		IC;VOLT.REGULATOR;TO220;LM7905L	[A:00: {1.0}{}]	
7	2.0000	C77-05107-03010		IC;VOLT.REGULATOR;7805;TO220	[P0A5Q:00: {1.0}{}] [00000: {1.0}{}]	
8	1.0000	C77-15107-03110		IC;VOLT.REGULATOR;7815F;FULLPACK;TO220	[P0405:02: {1.0}{}]	
9	1.0000	C77-15207-03110		IC;VOLT.REGULATOR;7915F;FULLPACK;TO220	[P0405:02: {1.0}{}]	
10	1.0000	D12-00100-02217		IC;DIG COMM.;EUROTEC;V1000;SOIC	[00000: {1.0}{}]	
11	1.0000	D22-31000-00514		IC;LOGIC;74HC00;SOP	[P0A5Q:00: {1.0}{}]	
12	2.0000	D22-31016-50116		IC;LOGIC;74HC165;DIP	[P0405:04: {2.0}{}]	
13	1.0000	D24-00000-21792		IC;MICROCONTROLLER;LQFP;32;STM8S105K4T6CTR	[A:00: {1.0}{}]	
14	2.0000	D24-18081-61832		IC;MICROCONTROLLER;ATMEGA8-16AC;TQFP32	[P0A5Q:00: {1.0}{}] [00000: {1.0}{}]	

Led

	Quantity	Item	Rev	Description	Reference Designators	Notes
1	4.0000	E10-00000-04901		LED HIB;3mm0 ROUND;AMBER;BULK;W/RING	[P0A5Q:00: {1.0}{}] [LED:00: {2.0}{}] [P0405:01: {1.0}{}]	
2	1.0000	E10-00000-15307		LED HIB;3mm0 ROUND;YELLOW;TRANSPARENT;RING	[P0405:01: {1.0}{}]	
3	1.0000	E10-07640-02120		LED;SMD;COLOR:RED;REFLECTOR:WATER CLEAR	[A:00: {1.0}{}]	
4	1.0000	E10-09590-02370		LED;SMD;WAVELENGTH:465nm;COLOR:YELLOW;REFLECTOR:WATER CLEAR;(LIGITEK LG-192VY-CT)	[A:00: {1.0}{}]	
5	4.0000	E10-53565-00588		LED;HIGH BRIGHT;3mm ROUND;GN	[P0A5Q:00: {2.0}{}] [P0405:01: {2.0}{}]	
6	22.0000	E10-57630-05113		LED;HIGH BRIGHT;RD	[P0405:01: {15x1.0}] [P0405:02: {4x1.0}] [P0405:04: {3x1.0}]	
7	1.0000	E10-59585-00592		LED;HIGH BRIGHT;3mm ROUND;YE	[P0A5Q:00: {1.0}{}]	
8	3.0000	E12-57620-05882		LED;3mm ROUND;RD;WAVELENGTH:630645nm;Vf:1.82.6V;LUMINOUS INTENSITY:Iv:80mcd-140mcd	[P0405:01: {3.0}{}]	
9	6.0000	E12-57630-00590		LED;3mm ROUND;RD	[P0A5Q:00: {2.0}{}] [A:00: {4.0}{}]	

Manual

	Quantity	Item	Rev	Description	Reference Designators	Notes
1	1.0000	A56-00000-56789		SERVICE INFORMATION SHEET;P0000;EN;Contact Information Sheet:EN;REV:002		
2	1.0000	A57-00003-12001		PRODUCT LEAFLET;FOR 2008 FULL LINE CATALOG		ECR-20080701173115
3	1.0000	A50-00014-00000		MANUAL;FULL;GER;NOT YET APPROVED		(EU, UL, UK, SAA, BR)
4	1.0000	A50-00021-00000		MANUAL;COLL;EUROPEAN;NOT YET APPROVED		(EU, UL, UK, SAA, BR)
5	1.0000	A50-00038-00000		MANUAL;SHRT;CHINA;NOT YET APPROVED		(CCC)
6	1.0000	A50-00032-00000		MANUAL;SHRT;JAPANESE;NOT YET APPROVED		(JP)
7	1.0000	A52-00000-40142		WARRANTY CARD;P0000;JA;DATE:01.07.2011;REVD		(JP)
8	1.0000	A50-00013-00000		MANUAL;FULL;ENG;NOT YET APPROVED		(EU, UL, UK, SAA, CCC, BR)

Metal Part

	Quantity	Item	Rev	Description	Reference Designators	Notes
1	1.0000	A62-00100-09280		METAL;BOTTOM COVER;M0011;DST.NO:001;DPT.NO:09280;(M0011-BOTTOM_COVER-REVA.dwf)		
2	1.0000	A63-00000-14316		METAL;P0404;ALUMINIUM;HEATSINK;EXTRUSION;ANO DIZING;BLACK;HEAT SINK;REV:A		
3	2.0000	A65-00000-03216		METAL;P0405;SECC 1.2mm;BRACKET;BENDING + PUNCHING;MATTE, SEMI;SPRAYING;BLACK;BRACKET_A;REV:A		
4	2.0000	A65-00000-03217		METAL;P0405;SECC 1.2mm;BRACKET;BENDING + PUNCHING;MATTE, SEMI;SPRAYING;BLACK;BRACKET_B;REV:A		
5	1.0000	A65-00000-03219		METAL;P0405;ALUMINIUM, FLAME RETARDANT;SHEET;BLANKING + PUNCHING;ALU_SHEET;REV:C		
6	8.0000	A65-00000-04693		METAL;P0A905;SPCC;CORNER;BENDING + PUNCHING;MATTE;SPRAYING;BLACK;GX112-CORNER-REVC		
7	1.0000	A65-00200-13342		METAL;REAR GRILL;P0405;DST.NO:002;DPT.NO:13342;(P0405-MET_REAR_GRILL-REVB.DWG)		
8	6.0000	A65-15000-04134		METAL;SPACER;LENGTH:4mm4;HOLE DIA:3mm5;DWG.NO:04134;(R14-FS112-SPACER-REVA.DWG)		
9	1.0000	J02-00000-08652		METAL;P0A5Q;TOP;COVER;B003		
10	1.0000	J02-00000-24095		METAL;P0405;CABINET;E005		

Packaging Part

	Quantity	Item	Rev	Description	Reference Designators	Notes
1	1.0000	G20-00200-14909		MASTER CARTON;P0405;DST.NO:002;DPT.NO:14909;(P0405-MASTER_CARTON-REVB.DWG)		
2	2.0000	G25-00100-14908		EPE SUPPORT TOP;P0405;DST.NO:001;DPT.NO:14908;(P0405-EPE_SUPPORT_TOP-REVA.DWG)		
3	2.0000	G33-00200-14907		EPE SUPPORT;P0405;DST.NO:002;DPT.NO:14907;(P0405-EPE_SUPPORT-REVB.DWG)		

Plastic Part

	Quantity	Item	Rev	Description	Reference Designators	Notes
1	4.0000	G51-00100-14745		PLASTIC;RUBFOOT;P0738;DST.NO:001;DPT.NO:14745;(P0738-RUBFOOT-REVA.DWG)		
2	24.0000	G52-00000-01148		PLASTIC;P0404;ABS PA757;KNOB;INJECTION MOULDING;HIGH GLOSS;I00539P;ROTARY;INK MARKING:WHITE		
3	5.0000	G52-00000-03241		PLASTIC;P0405;ABS PA757;KNOB;INJECTION MOULDING;HIGH GLOSS;BLACK;WHITE;I00415P;FADER_KNOB;REV:C		
4	1.0000	G52-00000-04659		PLASTIC;P0404;ABS PA757;KNOB;INJECTION MOULDING;HIGH GLOSS;BLACK;WHITE;I00538P-ROTARY_KNOB-REVA		
5	6.0000	G52-80500-09382		KNOB;SWITCH;FOOTPEDALS;BLACK;DWG.NO:09382;(R14-GUITAR-SWITCHKNOB1-REVA.DWG)		
6	2.0000	G53-00000-04668		JEWEL;AMBER TRANSLUCENT;P0404		
7	1.0000	G53-26000-22762		FUSE HOLDER;TYPE:FH-B13HA;250V/10A;SPEC:22762	[PSU6:00: {1.0}()]	
8	2.0000	G53-40900-05211		LEATHER;HANDLE;P0738;BLACK LEATHER+SILVER METAL		
9	5.0000	G58-00000-03218		PLASTIC;P0405;ABS PA757;GUIDE;INJECTION MOULDING;GLOSSY;BLACK;FADER_GUIDE;REVA		
10	1.0000	G58-00000-06674		PLASTIC;P0405;PET+PVC;PIPING;EXTRUSION;BLACK;P0405-PIPING_C-REVB		
11	4.0000	G58-00000-08758		PLASTIC;P0405;PVC HDPE;PIPING;EXTRUSION, CUTTING;TRANSPARENT;P0405-PIPING_A-REVB;GOLD STRING		
12	22.0000	G58-00000-14199		PLASTIC;P0A2E;HOUSING;BLACK;LD-OPT01;DIM:8*10mm;LDOPT01HOUSING-REVE	[P0405:01: {15x1.0}] [P0405:02: {4x1.0}] [P0405:04: {3x1.0}]	
13	1.0000	G58-00100-10111		GROMMET;I00325P;DST.NO:001;DPT.NO:10111;(I00325P-GROMMET-REVA.dwf)		
14	2.0000	G58-00100-12649		PLASTIC;SPACER LED;I00454P;DST.NO:001;DPT.NO:12649;(I00454P-SPACER_LED-REVA.DWG)	[LED:00: {2.0}]	
15	1.0000	G58-00100-14444		PLASTIC;PC SHEET;I00498P;DST.NO:001;DPT.NO:14444;(I00498P-PC_SHEET-REVA)		
16	1.0000	G58-00200-09291		PLASTIC;BUGERA LOGO;I00315P;BLACK CHROME;DST.NO:002;DPT.NO:09291;(I00315P-BUGERA_LOGO-REVB.DWG)		
17	6.0000	G58-00200-11129		LED SPACER;NO:8LENGTH:9mm;DST.NO:002;DPT.NO:11129;(LED-SPACER9MM.REVB.DWG)	[P0A5Q:00: {6.0}]	
18	6.0000	G58-53000-25624		SWITCH BASE;FS112 FS114		

	Quantity	Item	Rev	Description	Reference Designators	Notes
				FCB1010;ABS;COLOR:BLK;DWG.NO:25624;(R14-GUITAR-SWITCHBASE1-REVB.DWG)		

Plug Socket

	Quantity	Item	Rev	Description	Reference Designators	Notes
1	1.0000	G61-65220-03293		BOX HEADER;POLES:20;2 ROW;STRAIGHT;PITCH:2mm54;SCM-20S	[00000: {1.0}()]	
2	12.0000	G64-14152-03710		PLUG;PCB;PLUG;JACK PHONE;STRAIGHTPCB LUGS;MONO 6mm3;DUAL TIP/NO RING CONTACTS;NO NUT/WASHER;METAL BUSHING;(CHUNSHENG PJ- 622HA-EP)	[P0405:04: {3x4.0}()]	
3	42.0000	G64-16212-00005		PLUG;PCB;PLUG;JACK STEREO 6mm3;STRAIGHTPCB LUGS;NO NUT/WASHER;METAL BUSHING;(CHUNSHENG PJ-632HA)	[P0405:01: {15x1.0}()] [P0405:04: {3x9.0}()]	
4	1.0000	G67-30103-01969		SOCKET;AC;PCB MOUNT;COLOR:BLACK;POLES:03;(SS- 7B-1-T7NUT2)	[PSU6:00: {1.0}()]	
5	108.0000	G71-23102-04756		PLUG;WAFER;P:2mm;1 ROW;STRAIGHT;POLES:02;TYPE:A2006WV-2P	[00000: {1.0}()] [P0405:01: {15x6.0}()] [P0405:02: {4x2.0}()] [P0405:04: {3x2.0}()] [A:00: {3.0}()]	
6	71.0000	G71-23103-04757		PLUG;WAFER;POLES:03;1 ROW;STRAIGHT;PITCH:2mm;TYPE:A2006WV-3P	[P0405:01: {15x4.0}()] [P0405:02: {4x2.0}()] [P0405:04: {3x1.0}()]	
7	3.0000	G71-23103-04986		PLUG;WAFER;P:2mm;1 ROW;STRAIGHT;POLES:03;A2006WV-03-S1;NO MIDDLE PIN	[P0405:04: {3x1.0}()]	
8	21.0000	G71-23104-04758		PLUG;WAFER;P:2mm;1 ROW;STRAIGHT;POLES:04;TYPE:A2006WV-4P	[P0405:01: {15x1.0}()] [P0405:02: {4x1.0}()] [A:00: {2.0}()]	
9	5.0000	G71-23105-04745		PLUG;WAFER;POLES:05;1 ROW;STRAIGHT;PITCH:2mm;TYPE:A2006WV-5P	[P0405:04: {3x1.0}()] [A:00: {2.0}()]	
10	1.0000	G71-23105-04998		PLUG;WAFER;P:2mm;1 ROW;STRAIGHT;POLES:05;A2006WV-05-S1;W/O PIN2 AND PIN4	[P0405:03: {1.0}()]	
11	15.0000	G71-23108-04747		PLUG;WAFER;POLES:08;1 ROW;STRAIGHT;PITCH:2mm;TYPE:A2006WV-8P	[P0405:01: {15x1.0}()]	
12	4.0000	G71-23109-04748		PLUG;WAFER;P:2mm;1 ROW;STRAIGHT;POLES:09;TYPE:A2006WV-9P	[00000: {1.0}()] [P0405:04: {3x1.0}()]	
13	1.0000	G71-23111-04750		PLUG;WAFER;P:2mm;1 ROW;STRAIGHT;POLES:11;TYPE:A2006WV-11P	[A:00: {1.0}()]	

	Quantity	Item	Rev	Description	Reference Designators	Notes
14	1.0000	G71-27102-04450		PLUG;WAFER;P:3mm96;1 ROW;STRAIGHT;POLES:02;JS1120-03-S1;NO MIDDLE PIN	[PSU6:00: {1.0}{}]	
15	2.0000	G71-27102-04759		PLUG;WAFER;P:3mm96;1 ROW;STRAIGHT;POLES:02;JS1120-02	[P0405:03: {2.0}{}]	
16	5.0000	G71-27103-04449		PLUG;WAFER;P:3mm96;1 ROW;STRAIGHT;POLES:03;JS1120-03	[P0405:02: {4x1.0}{}] [P0405:03: {1.0}{}]	
17	3.0000	G71-27104-04415		PLUG;WAFER;POLES:04;1 ROW;STRAIGHT;PITCH:3mm96;JS1120-04	[P0405:04: {3x1.0}{}]	
18	1.0000	G71-27105-04760		PLUG;WAFER;P:3mm96;1 ROW;STRAIGHT;POLES:05;JS1120-05-S1;W/O PIN2 AND PIN4	[P0405:03: {1.0}{}]	
19	1.0000	G71-27105-04761		PLUG;WAFER;POLES:05;1 ROW;STRAIGHT;PITCH:3mm96;JS1120-05	[P0405:03: {1.0}{}]	
20	1.0000	G71-27111-05247		PLUG;WAFER;P:3mm96;1 ROW;STRAIGHT;POLES:11;JS1120-11-S1;W/O PIN2,PIN4,PIN6,PIN8 AND PIN10	[P0405:03: {1.0}{}]	
21	4.0000	G73-18509-01217		SOCKET;BOARD-IN;POLES:09;VACUUM TUBE;FOR 6L6GC;CERAMIC;COLOR:WHT;VERSION3;GZC8-Y-5	[P0405:03: {4.0}{}]	
22	4.0000	G73-28509-01218		SOCKET;POLES:09;VACUUM TUBE;FOR 12AX7;CERAMIC;COLOR:WHT;W/ SOLDER LUGS;VERSION1;TUS9PC9C	[P0405:02: {4.0}{}]	
23	2.0000	G76-00000-03538		PLUG;DIN;5;ROWS:2;ANGLED;FEMALE	[P0A5Q:00: {2.0}{}]	
24	3.0000	G76-20540-04361		PLUG;DIN;(CHUNGSHENG DIN-537HA- EP);PLUG;FEMALE;POLES:05;STRAIGHT;MINI;01	[P0405:04: {3x1.0}{}]	

Power Supply

	Quantity	Item	Rev	Description	Reference Designators	Notes
1	1.0000	J60-90249-05453		TRAFO;AUDIO I/O;EI0249(R1L);NANHAI NRE		
2	1.0000	J67-20250-05454		TRAFO;CHOCK;EI0250(R1L);NANHAI NRE		
3	1.0000	J65-00000-18309		TRAFO;EI POWER;P0405;JP 100;JP;EI0248(R1L) NRE		(JP)
4	1.0000	J65-00000-18308		TRAFO;EI POWER;P0405;UL 120;UL;EI0247(R1L) NRE		(UL)
5	1.0000	J65-94054-05452		TRAFO;EI;P0405;EI0246;EU 230V;NANHAI NRE;		(EU, UK, SAA, CCC, BR)

Quarz

	Quantity	Item	Rev	Description	Reference Designators	Notes
1	1.0000	H65-00000-17608		QUARTZ;RESONATOR;12 MHz;8pF;SMD;SIZE:5X3MM2;50ppm	[A:00: {1.0}{}]	
2	1.0000	H65-10468-00000		QUARZ;RESONATOR;8MHz;HC49S FUNDAMENTAL	[P0A5Q:00: {1.0}{}]	
3	1.0000	H65-10471-00000		QUARZ;RESONATOR;10MHz;HC49U FUNDAMENTAL	[00000: {1.0}{}]	

Raw Material

	Quantity	Item	Rev	Description	Reference Designators	Notes
1	2.2000	E48-30100-09267		EPOXY COATING TRANSPARENT(DP-100 PLUS) 50ML/PAK	[P0405:01: {15x0.1}] [P0405:02: {4x0.1}] [P0405:04: {3x0.1}]	
2	2.2000	E48-30270-05114		EPOXY COATING BLACK (DP-270) 50ML/PAK	[P0405:01: {15x0.1}] [P0405:02: {4x0.1}] [P0405:04: {3x0.1}]	
3	0.0440	E64-01000-09284		MIXING NOZZLE;TO PLACE DP-270 EPOXY;SPEC.NO:09284	[P0405:01: {15x0.0020}] [P0405:02: {4x0.0020}] [P0405:04: {3x0.0020}]	

Fader

	Quantity	Item	Rev	Description	Reference Designators	Notes
1	75.0000	I00-00000-00136		FADER;50 kohm;B;20 %;MONO;30mm	[P0405:01: {15x5.0}{}]	

Potentiometer

	Quantity	Item	Rev	Description	Reference Designators	Notes
1	45.0000	I03-00000-01297		POTENTIOMETER;100 kohm;A;12 %;MONO;BULK;50-90gf;SHAFT:39.6MM	[P0405:01: {15x3.0}()]	
2	21.0000	I03-00000-01323		POTENTIOMETER;10 kohm;A;12 %;MONO;BULK;50-90gf;SHAFT:39.6MM	[P0405:01: {15x1.0}()] [P0405:04: {3x2.0}()]	
3	60.0000	I03-00000-18918		POTENTIOMETER;1 Mohm;A;20 %;MONO;0.05W;TORQUE:50-90gf.cm;SHAFT:39.6mm	[P0405:01: {15x4.0}()]	
4	135.0000	I03-00000-18919		POTENTIOMETER;250 kohm;A;12 %;MONO;0.05W;TORQUE:50-90gf.cm;SHAFT:39.6mm	[P0405:01: {15x9.0}()]	
5	21.0000	I03-00000-01300		POTENTIOMETER;10 kohm;B;12 %;MONO;BULK;50-90gf;SHAFT:39.6MM	[P0405:01: {15x1.0}()] [P0405:04: {3x2.0}()]	(EU, UL, JP, UK, SAA, CCC, BR)
6	21.0000	I03-00000-01300		POTENTIOMETER;10 kohm;B;12 %;MONO;BULK;50-90gf;SHAFT:39.6MM	[P0405:01: {15x1.0}()] [P0405:04: {3x2.0}{VR27, VR30}]	
7	18.0000	I03-00000-01324		POTENTIOMETER;100 kohm;B;12 %;MONO;BULK;50-90gf;SHAFT:39.6MM	[P0405:01: {15x1.0}()] [P0405:04: {3x1.0}{VR29}]	(EU, UL, JP, UK, SAA, CCC, BR)
8	18.0000	I03-00000-01324		POTENTIOMETER;100 kohm;B;12 %;MONO;BULK;50-90gf;SHAFT:39.6MM	[P0405:01: {15x1.0}()] [P0405:04: {3x1.0}()]	

Speaker Part

	Quantity	Item	Rev	Description	Reference Designators	Notes
1	1.0000	H77-00000-04571		WOOFER;8 OHMS;12G400N8;12inch;100Watt;8ohm		

Switch

	Quantity	Item	Rev	Description	Reference Designators	Notes
1	2.0000	I84-02222-00914		SWITCH;ROCKER;2P2T;NO MARKING;LOCKING;NONSHORT;SOLDER LUG;APPROVAL: UL94V0;MR3-221-C2-BBNNC		
2	6.0000	I87-43811-03768		SWITCH;TACTILE;POLES:1;HEIGHT:4mm3;PCB VERSION;NONLOCK;NONSHORT	[P0A5Q:00: {6.0}()]	
3	120.0000	I90-00412-02454		SWITCH;TOGGLE;1P2T;LOCKING;NONSHORT;SOLDER VERSION;(CHI-FUNG MTS-102-F6G	[P0405:01: {15x8.0}()]	
4	15.0000	I90-00422-04564		SWITCH;TOGGLE;2P2T;PCB VERSION;LOCKING;NONSHORT;(TACLEX 1MDP0890	[P0405:01: {15x1.0}()]	
5	2.0000	I90-02211-03087		SWITCH;TOGGLE;TOGGLES:1;POLE:1;LOCKING;NONSHORT; SOLDER LUG;/ARCO C3900BAAAB)		
6	3.0000	I85-00000-01346		SWITCH;ROTARY;1;4;LOCKING;NONSHORT;10;1P4T;TACTILE;W/PCB CONTACTS	[P0405:04: {3x1.0}(SW10)]	(EU, UL, JP, UK, SAA, CCC, BR)
7	3.0000	I85-00000-01346		SWITCH;ROTARY;1;4;LOCKING;NONSHORT;10;1P4T;TACTILE;W/PCB CONTACTS	[P0405:04: {3x1.0}()]	

Transistor

	Quantity	Item	Rev	Description	Reference Designators	Notes
1	1.0000	J70-00000-02820		TRANSISTOR;TO92_TAPE(PITCH:2MM54);3;2N5401	[P0405:03: {1.0}()]	
2	1.0000	J71-00000-43443		TRANSISTOR;TO220AB;3;3DD3150A8;3A;NPN;800V;ROHS	[P0405:03: {1.0}()]	
3	1.0000	J71-72000-03203		TRANSISTOR;MOSFET;STW9NK90Z;TO247	[P0405:03: {1.0}()]	
4	1.0000	J73-02085-61703		TRANSISTOR;BC856B;SOT	[00000: {1.0}()]	
5	83.0000	J73-07000-60803		TRANSISTOR;MPSA06;TO92;P:2.54(BENT LEAD)	[P0405:01: {15x5.0}()] [P0405:02: {4x1.0}()] [P0405:03: {1.0}()] [P0405:04: {3x1.0}()]	
6	15.0000	J73-07002-00803		TRANSISTOR;MPSA20;TO92;P:2.54(BENT LEAD)	[P0405:01: {15x1.0}()]	
7	15.0000	J73-07005-60803		TRANSISTOR;MPSA56;TO92;TAPING	[P0405:01: {15x1.0}()]	
8	15.0000	J73-07006-30803		TRANSISTOR;MPSA63;TO92;P:2.54(BENT LEAD)	[P0405:01: {15x1.0}()]	
9	30.0000	J73-07412-60803		TRANSISTOR;MPS4126;TO92;P:2.54(BENT LEAD)	[P0405:01: {15x2.0}()]	
10	4.0000	J73-08009-21703		TRANSISTOR;MBTA92;SOT	[A:00: {4.0}()]	
11	1.0000	J73-16540-16603		TRANSISTOR;MMBT5401;SOT23	[A:00: {1.0}()]	
12	15.0000	J74-10011-30803		TRANSISTOR;J113;TO92	[P0405:01: {15x1.0}()]	

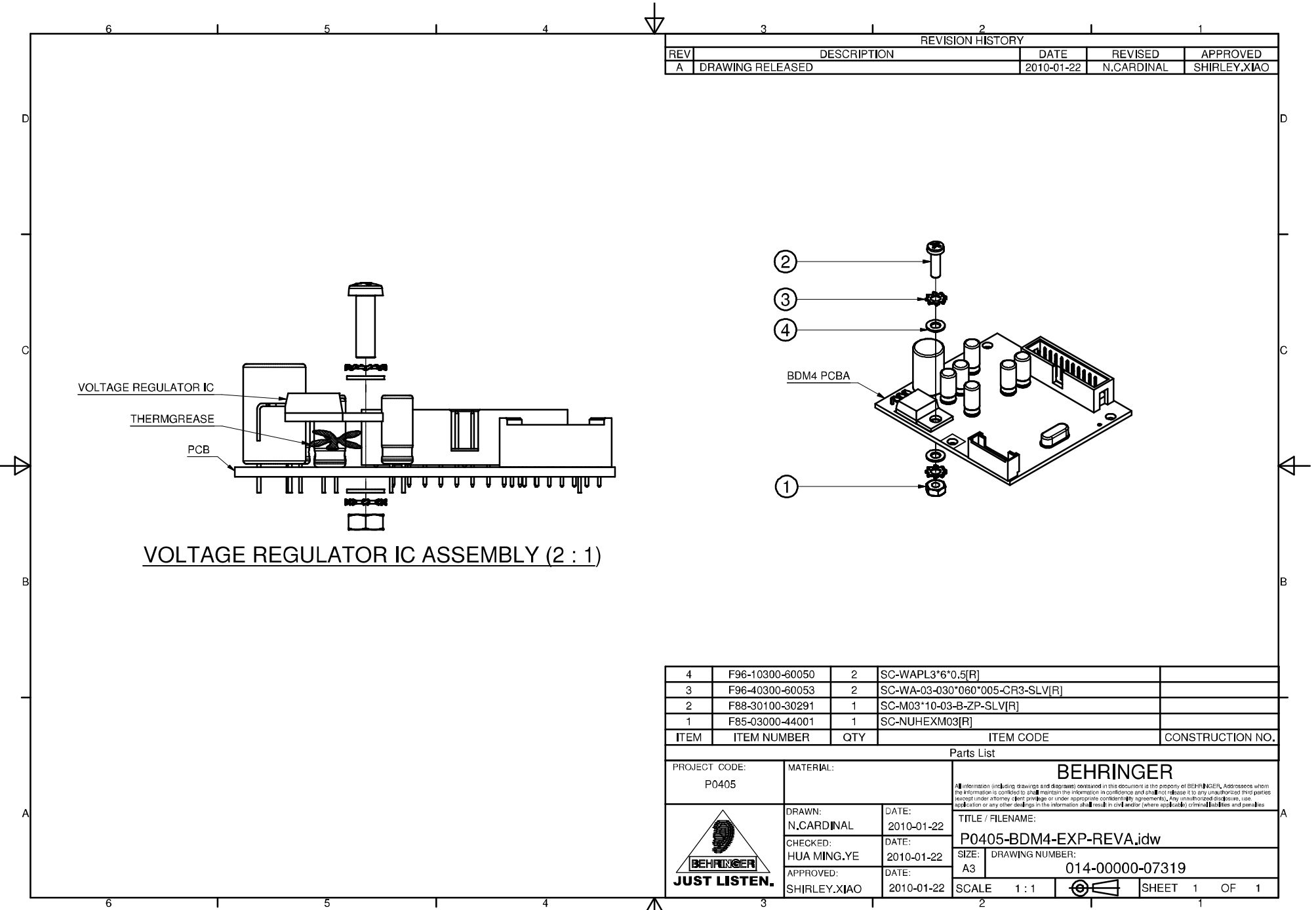
Vacuum Tube

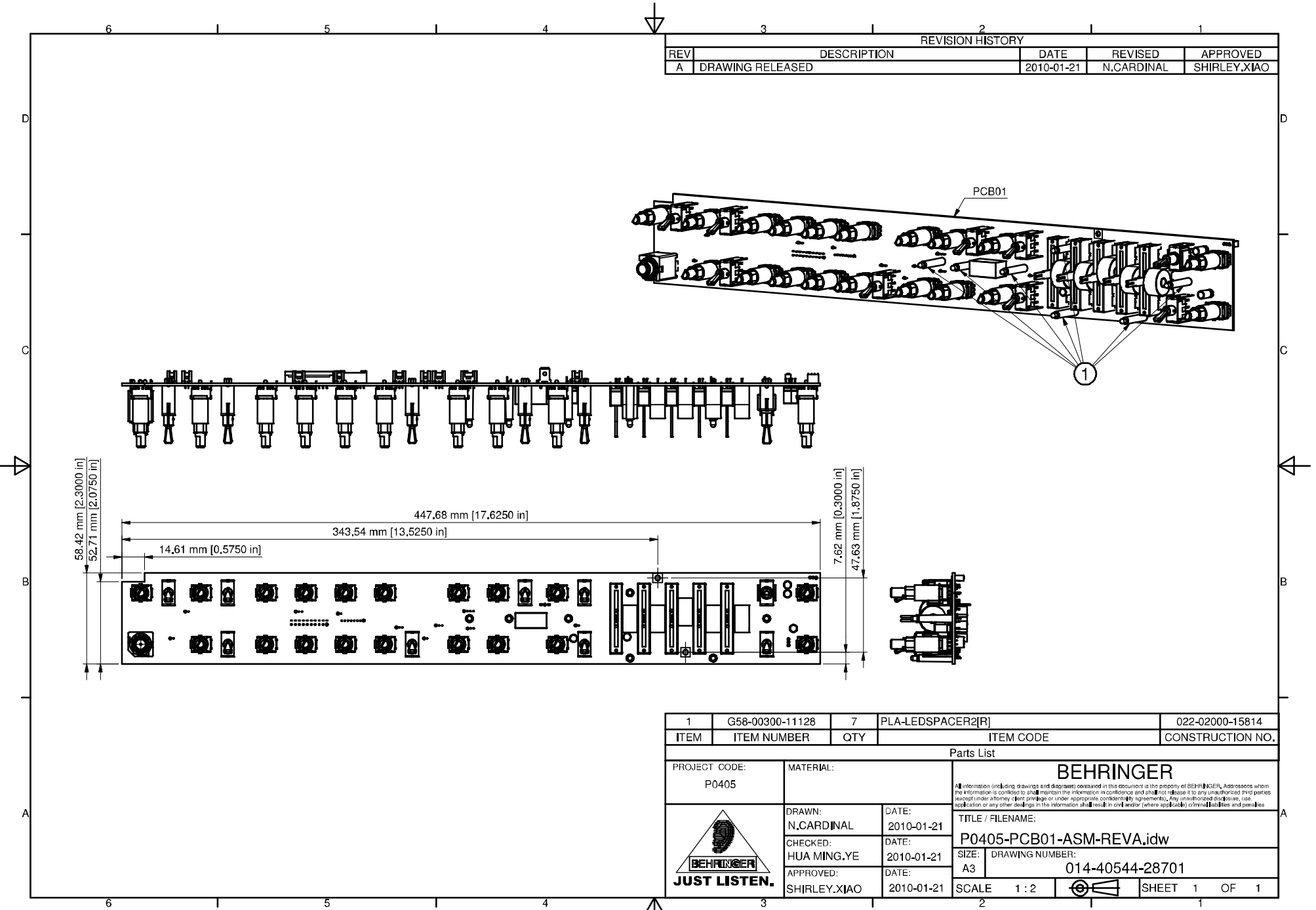
	Quantity	Item	Rev	Description	Reference Designators	Notes
1	4.0000	J83-65016-67108		TUBE;PENTODE;6L6GC;SHUGUANG		
2	1.0000	J84-76012-07109		TUBE;DOUBLE TRIODE;P0962;12AX7B;SHUGUANG;FST.NO:001		
3	2.0000	J84-76012-97109		TUBE;DOUBLE TRIODE;P0963;12AX7C;SHUGUANG;FST.NO:001		
4	1.0000	J84-17012-17109		TUBE;DOUBLE TRIODE;12AX7A;SHUGUANG		(EU, UL, JP, UK, SAA, CCC, BR)
5	1.0000	J84-17012-17109		TUBE;DOUBLE TRIODE;12AX7A;SHUGUANG		

Wooden Part

	Quantity	Item	Rev	Description	Reference Designators	Notes
1	1.0000	B70-00000-03518		WOOD;P0405;MDF 18mm E1 GRADE;SUPPORT;BLACK;SPRAYING;P0405- WOOD_SUP_UR-REVA		
2	1.0000	B70-00000-03519		WOOD;P0405;MDF 18mm E1 GRADE;SUPPORT;BLACK;SPRAYING;P0405- WOOD_SUP_UL-REVA		
3	2.0000	B70-00000-05165		WOOD;P0405;MDF 18mm E1 GRADE;SUPPORT;BLACK;LAMINATING (VINYL) + SPRAYING;P0405-WOOD_FRONT_SUP_U2-REVA		
4	1.0000	B70-00000-05167		WOOD;P0405;MDF 12mm E1 GRADE;SUPPORT;BLACK;SPRAYING;P0405- WOOD_SUP_ULR-REVA		
5	1.0000	B70-00000-05363		WOOD;P0405;MDF 9mm E1 GRADE;REAR;BLACK;LAMINATING (VINYL) + SPRAYING;P0405-WOOD_REARBOARD_2-REVA		
6	1.0000	B70-00000-28362		WOOD;P0405;MDF 12mm E1 GRADE;SUPPORT;BLACK;SPRAYING;P0405- WOOD_SUP_UR2-REVA		
7	2.0000	B70-00100-11373		WOOD;REAR SUP ULR;P0405;DST.NO:001;DPT.NO:11373;(P0405- WOOD_REAR_SUP_ULR-REVA.DWG)		
8	1.0000	B70-00100-13461		WOOD;REAR SUP UL;P0405;DST.NO:001;DPT.NO:13461;(P0405- WOOD_REAR_SUP_UL-REVA.DWG)		
9	1.0000	B70-00100-13462		WOOD;REAR SUP UR;P0405;DST.NO:001;DPT.NO:13462;(P0405- WOOD_REAR_SUP_UR-REVA.DWG)		
10	2.0000	B70-00100-14972		WOOD PART;P0806;TRIANGLE WEDGE;DST.NO:001;DPT.NO:14972;(B1520-TRIANGLE WEDGE(1)-REVA.idw)		
11	1.0000	B70-00200-12474		WOOD;FRONTBOARD;P0405;DST.NO:002;DPT.NO:1247 4;(P0405-WOOD_FRONTBOARD-REVB.DWG)		
12	1.0000	B70-00200-12475		WOOD;REARBOARD;P0405;DST.NO:002;DPT.NO:12475;(P0405-WOOD_REARBOARD-REVB.DWG)		
13	1.0000	B70-00200-13449		WOOD;LEFTBOARD;P0405;DST.NO:002;DPT.NO:13449;(P0405-WOOD_LEFTBOARD-REVB.DWG)		
14	1.0000	B70-00200-13450		WOOD;RIGHTBOARD;P0405;DST.NO:002;DPT.NO:13450;(P0405-WOOD_RIGHTBOARD-REVB.DWG)		
15	1.0000	B70-00200-13451		WOOD;BOTTOMBOARD;P0405;DST.NO:002;DPT.NO:13451;(P0405-WOOD_BOTTOMBOARD-REVB.DWG)		
16	1.0000	B70-00200-13452		WOOD;FRONT SUP L;P0405;DST.NO:002;DPT.NO:13452;(P0405- WOOD_FRONT_SUP_L-REVB.DWG)		
17	2.0000	B70-00200-13453		WOOD;FRONT SUP		

	Quantity	Item	Rev	Description	Reference Designators	Notes
				U;P0405;DST.NO:002;DPT.NO:13453;(P0405- WOOD_FRONT_SUP_U-REVB.DWG)		
18	1.0000	B70-00200-13454		WOOD;GRILL SUP LL;P0405;DST.NO:002;DPT.NO:13454;(P0405- WOOD_GRILL_SUP_LL-REVB.DWG)		
19	1.0000	B70-00200-13455		WOOD;GRILL SUP LR;P0405;DST.NO:002;DPT.NO:13455;(P0405- WOOD_GRILL_SUP_LR-REVB.DWG)		
20	1.0000	B70-00200-13456		WOOD;GRILL SUP UL;P0405;DST.NO:002;DPT.NO:13456;(P0405- WOOD_GRILL_SUP_UL-REVB.DWG)		
21	1.0000	B70-00200-13457		WOOD;GRILL SUP UR;P0405;DST.NO:002;DPT.NO:13457;(P0405- WOOD_GRILL_SUP_UR-REVB.DWG)		
22	1.0000	B70-00200-13458		WOOD;REAR SUP L;P0405;DST.NO:002;DPT.NO:13458;(P0405- WOOD_REAR_SUP_L-REVB.DWG)		
23	1.0000	B70-00300-14855		WOOD;TOPBOARD;P0405;DST.NO:003;DPT.NO:14855;(P 0405-WOOD_TOPBOARD-REVC.idw)		



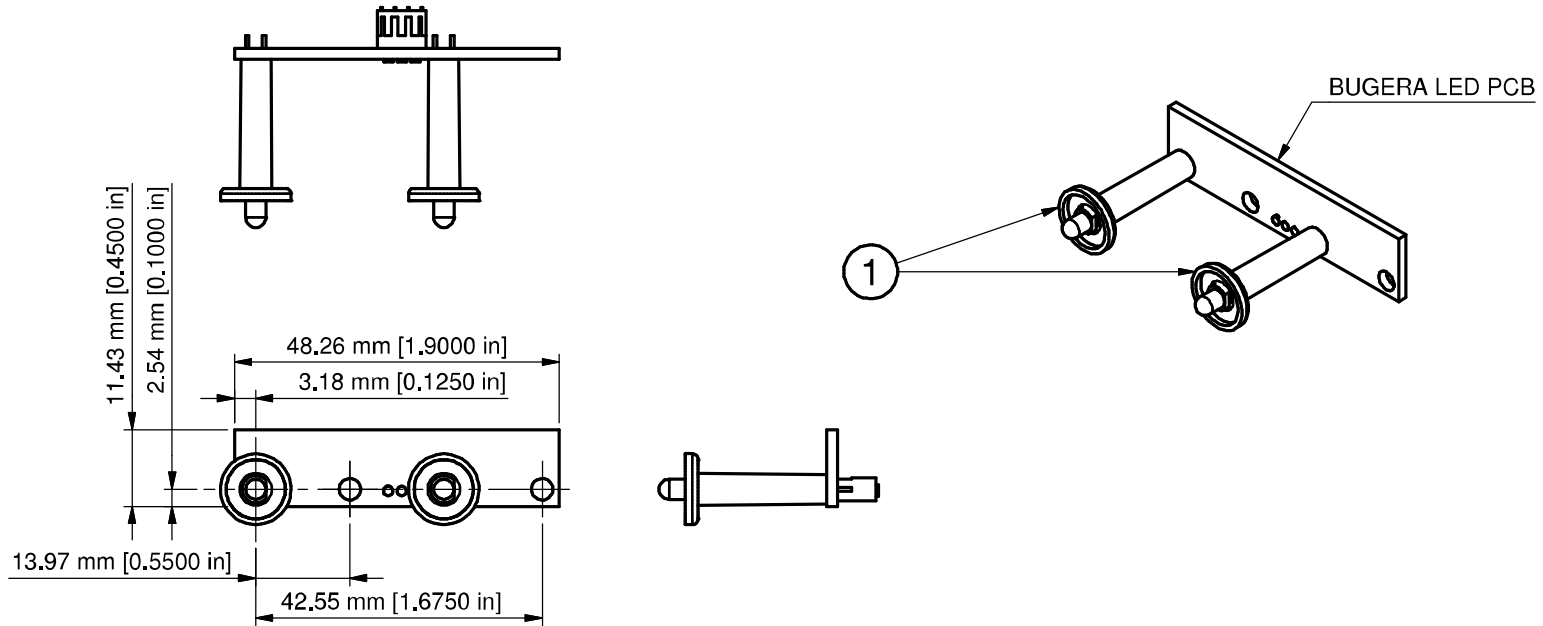


REVISION HISTORY				
REV	DESCRIPTION	DATE	REVISED	APPROVED
A	DRAWING RELEASED	2010-01-21	N.CARDINAL	SHIRLEY.XIAO

1	G58-00300-11128	7	PLA-LEDSPACER2[R]	022-02000-15814
ITEM	ITEM NUMBER	QTY	ITEM CODE	CONSTRUCTION NO.
Parts List				
PROJECT CODE: P0405		MATERIAL:		<p style="text-align: center;">BEHRINGER</p> <p><small>All information (including drawings and diagrams) contained in this document is the property of BEHRINGER. Addressees whom the information is confined to shall maintain the information in confidence and shall not release it to any unauthorized third parties except under a formal client privilege or under appropriate confidentiality agreements. Any unauthorized disclosure, use, application or any other dealings in the information shall result in civil and/or (where applicable) criminal liabilities and penalties.</small></p>
	DRAWN: N.CARDINAL	DATE: 2010-01-21	TITLE / FILENAME: P0405-PCB01-ASM-REVA.idw	
	CHECKED: HUA MING.YE	DATE: 2010-01-21	SIZE: DRAWING NUMBER: A3 014-40544-28701	
	APPROVED: SHIRLEY.XIAO	DATE: 2010-01-21	SCALE 1 : 2	
			SHEET 1 OF 1	



REVISION HISTORY				
REV	DESCRIPTION	DATE	REVISED	APPROVED
A	DRAWING RELEASED	2009-11-24	N.CARDINAL	SHIRLEY.XIAO

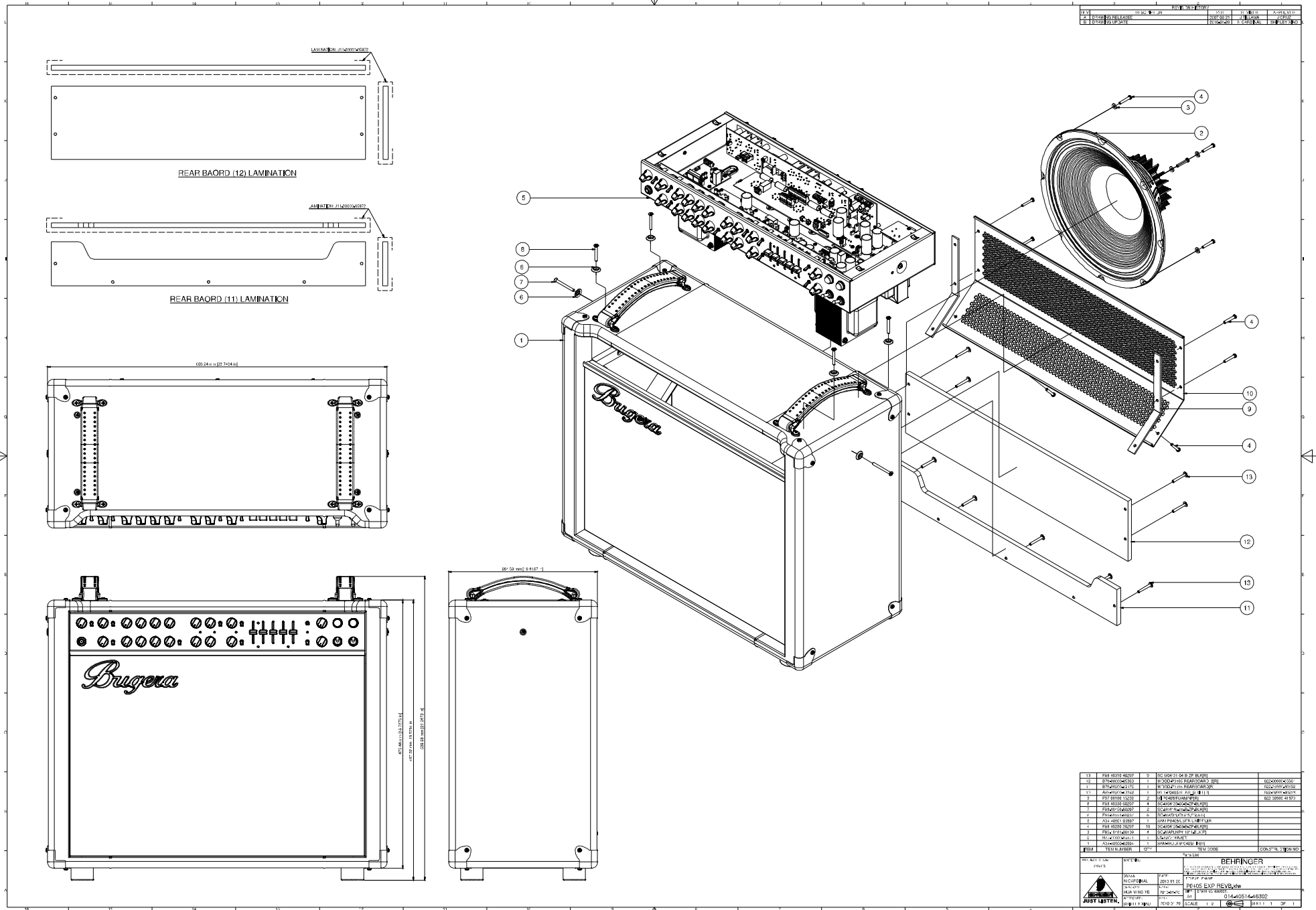


1	G58-00100-12649	2	PLA-I00454P/SPACER_LED[R]	022-02000-40884
ITEM	ITEM NUMBER	QTY	ITEM CODE	CONSTRUCTION NO.

Parts List

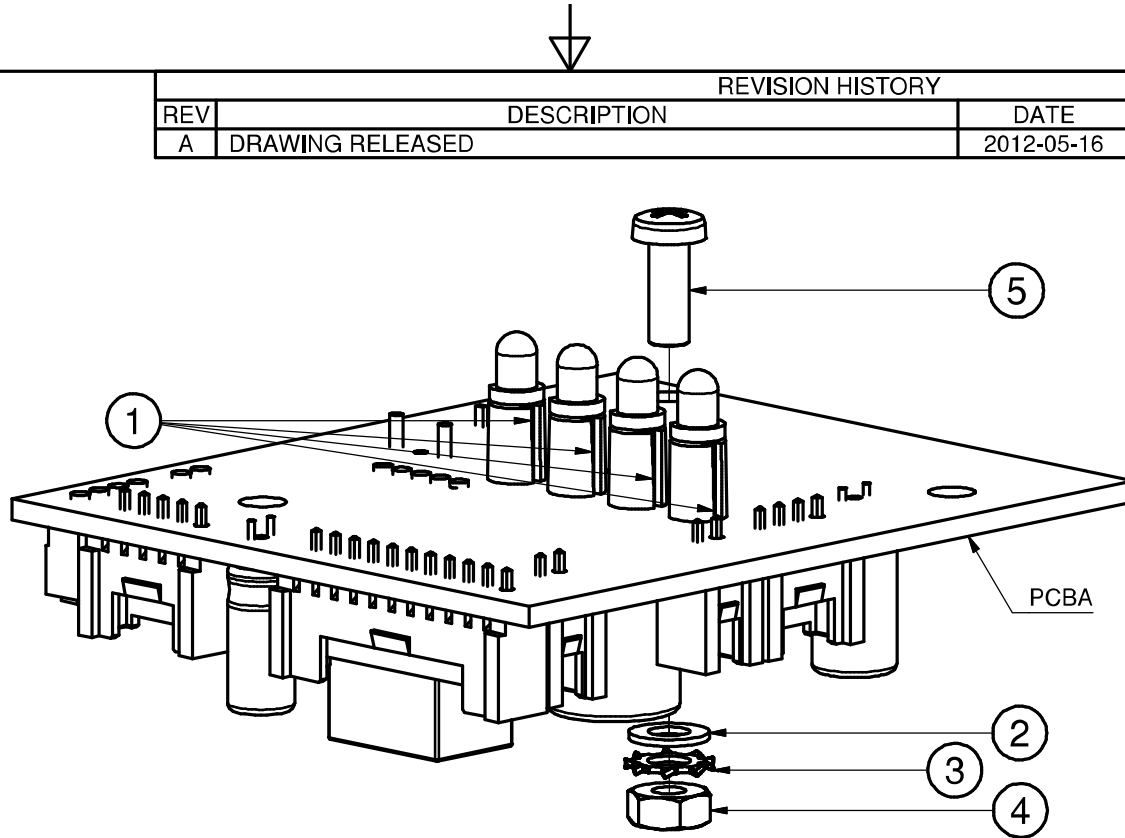
PROJECT CODE: P0404	MATERIAL:	BEHRINGER			
	DRAWN: N.CARDINAL	DATE: 2009-11-24	<small>All information (including drawings and diagrams) contained in this document is the property of BEHRINGER. Addressees whom the information is confided to shall maintain the information in confidence and shall not release it to any unauthorized third parties (except under attorney client privilege or under appropriate confidentiality agreements). Any unauthorized disclosure, use, application or any other dealings in the information shall result in civil and/or (where applicable) criminal liabilities and penalties.</small>		
	CHECKED: HUA MING.YE	DATE: 2009-11-24			
	APPROVED: SHIRLEY.XIAO	DATE: 2009-11-24	TITLE / FILENAME: P0404-PCB_LED-ASM-REVA.idw	SIZE: A4 DRAWING NUMBER: 014-40404-05601	
	SCALE 1:1				SHEET 1 OF 1





1.1	1.1	1.1	1.1	1.1	1.1	1.1	1.1	1.1	1.1
2.1	2.1	2.1	2.1	2.1	2.1	2.1	2.1	2.1	2.1
3.1	3.1	3.1	3.1	3.1	3.1	3.1	3.1	3.1	3.1

11	FAB 4033 4020	5	SC 104-11 04 0 2P BLK/BL		
12	BEHNSCHW 111	1	IN 1000P/1000P REAR BOARD 7 201	02200000000	
13	BEHNSCHW 111	1	IN 1000P/1000P REAR BOARD 7 201	02200000000	
14	ADMUSCHW 1142	1	IN 1000P/1000P REAR BOARD 7 201	02200000000	
15	BEHNSCHW 111	1	IN 1000P/1000P REAR BOARD 7 201	02200000000	
16	FAB 4033 4020	4	SC 104-11 04 0 2P BLK/BL		
17	FAB 4033 4020	2	SC 104-11 04 0 2P BLK/BL		
18	FAB 4033 4020	4	SC 104-11 04 0 2P BLK/BL		
19	FAB 4033 4020	4	SC 104-11 04 0 2P BLK/BL		
20	FAB 4033 4020	4	SC 104-11 04 0 2P BLK/BL		
21	FAB 4033 4020	4	SC 104-11 04 0 2P BLK/BL		
22	FAB 4033 4020	4	SC 104-11 04 0 2P BLK/BL		
23	FAB 4033 4020	4	SC 104-11 04 0 2P BLK/BL		
24	FAB 4033 4020	4	SC 104-11 04 0 2P BLK/BL		
25	FAB 4033 4020	4	SC 104-11 04 0 2P BLK/BL		
26	FAB 4033 4020	4	SC 104-11 04 0 2P BLK/BL		
27	FAB 4033 4020	4	SC 104-11 04 0 2P BLK/BL		
28	FAB 4033 4020	4	SC 104-11 04 0 2P BLK/BL		
29	FAB 4033 4020	4	SC 104-11 04 0 2P BLK/BL		
30	FAB 4033 4020	4	SC 104-11 04 0 2P BLK/BL		
31	FAB 4033 4020	4	SC 104-11 04 0 2P BLK/BL		
32	FAB 4033 4020	4	SC 104-11 04 0 2P BLK/BL		
33	FAB 4033 4020	4	SC 104-11 04 0 2P BLK/BL		
34	FAB 4033 4020	4	SC 104-11 04 0 2P BLK/BL		
35	FAB 4033 4020	4	SC 104-11 04 0 2P BLK/BL		
36	FAB 4033 4020	4	SC 104-11 04 0 2P BLK/BL		
37	FAB 4033 4020	4	SC 104-11 04 0 2P BLK/BL		
38	FAB 4033 4020	4	SC 104-11 04 0 2P BLK/BL		
39	FAB 4033 4020	4	SC 104-11 04 0 2P BLK/BL		
40	FAB 4033 4020	4	SC 104-11 04 0 2P BLK/BL		
41	FAB 4033 4020	4	SC 104-11 04 0 2P BLK/BL		
42	FAB 4033 4020	4	SC 104-11 04 0 2P BLK/BL		
43	FAB 4033 4020	4	SC 104-11 04 0 2P BLK/BL		
44	FAB 4033 4020	4	SC 104-11 04 0 2P BLK/BL		
45	FAB 4033 4020	4	SC 104-11 04 0 2P BLK/BL		
46	FAB 4033 4020	4	SC 104-11 04 0 2P BLK/BL		
47	FAB 4033 4020	4	SC 104-11 04 0 2P BLK/BL		
48	FAB 4033 4020	4	SC 104-11 04 0 2P BLK/BL		
49	FAB 4033 4020	4	SC 104-11 04 0 2P BLK/BL		
50	FAB 4033 4020	4	SC 104-11 04 0 2P BLK/BL		
51	FAB 4033 4020	4	SC 104-11 04 0 2P BLK/BL		
52	FAB 4033 4020	4	SC 104-11 04 0 2P BLK/BL		
53	FAB 4033 4020	4	SC 104-11 04 0 2P BLK/BL		
54	FAB 4033 4020	4	SC 104-11 04 0 2P BLK/BL		
55	FAB 4033 4020	4	SC 104-11 04 0 2P BLK/BL		
56	FAB 4033 4020	4	SC 104-11 04 0 2P BLK/BL		
57	FAB 4033 4020	4	SC 104-11 04 0 2P BLK/BL		
58	FAB 4033 4020	4	SC 104-11 04 0 2P BLK/BL		
59	FAB 4033 4020	4	SC 104-11 04 0 2P BLK/BL		
60	FAB 4033 4020	4	SC 104-11 04 0 2P BLK/BL		
61	FAB 4033 4020	4	SC 104-11 04 0 2P BLK/BL		
62	FAB 4033 4020	4	SC 104-11 04 0 2P BLK/BL		
63	FAB 4033 4020	4	SC 104-11 04 0 2P BLK/BL		
64	FAB 4033 4020	4	SC 104-11 04 0 2P BLK/BL		
65	FAB 4033 4020	4	SC 104-11 04 0 2P BLK/BL		
66	FAB 4033 4020	4	SC 104-11 04 0 2P BLK/BL		
67	FAB 4033 4020	4	SC 104-11 04 0 2P BLK/BL		
68	FAB 4033 4020	4	SC 104-11 04 0 2P BLK/BL		
69	FAB 4033 4020	4	SC 104-11 04 0 2P BLK/BL		
70	FAB 4033 4020	4	SC 104-11 04 0 2P BLK/BL		
71	FAB 4033 4020	4	SC 104-11 04 0 2P BLK/BL		
72	FAB 4033 4020	4	SC 104-11 04 0 2P BLK/BL		
73	FAB 4033 4020	4	SC 104-11 04 0 2P BLK/BL		
74	FAB 4033 4020	4	SC 104-11 04 0 2P BLK/BL		
75	FAB 4033 4020	4	SC 104-11 04 0 2P BLK/BL		
76	FAB 4033 4020	4	SC 104-11 04 0 2P BLK/BL		
77	FAB 4033 4020	4	SC 104-11 04 0 2P BLK/BL		
78	FAB 4033 4020	4	SC 104-11 04 0 2P BLK/BL		
79	FAB 4033 4020	4	SC 104-11 04 0 2P BLK/BL		
80	FAB 4033 4020	4	SC 104-11 04 0 2P BLK/BL		
81	FAB 4033 4020	4	SC 104-11 04 0 2P BLK/BL		
82	FAB 4033 4020	4	SC 104-11 04 0 2P BLK/BL		
83	FAB 4033 4020	4	SC 104-11 04 0 2P BLK/BL		
84	FAB 4033 4020	4	SC 104-11 04 0 2P BLK/BL		
85	FAB 4033 4020	4	SC 104-11 04 0 2P BLK/BL		
86	FAB 4033 4020	4	SC 104-11 04 0 2P BLK/BL		
87	FAB 4033 4020	4	SC 104-11 04 0 2P BLK/BL		
88	FAB 4033 4020	4	SC 104-11 04 0 2P BLK/BL		
89	FAB 4033 4020	4	SC 104-11 04 0 2P BLK/BL		
90	FAB 4033 4020	4	SC 104-11 04 0 2P BLK/BL		
91	FAB 4033 4020	4	SC 104-11 04 0 2P BLK/BL		
92	FAB 4033 4020	4	SC 104-11 04 0 2P BLK/BL		
93	FAB 4033 4020	4	SC 104-11 04 0 2P BLK/BL		
94	FAB 4033 4020	4	SC 104-11 04 0 2P BLK/BL		
95	FAB 4033 4020	4	SC 104-11 04 0 2P BLK/BL		
96	FAB 4033 4020	4	SC 104-11 04 0 2P BLK/BL		
97	FAB 4033 4020	4	SC 104-11 04 0 2P BLK/BL		
98	FAB 4033 4020	4	SC 104-11 04 0 2P BLK/BL		
99	FAB 4033 4020	4	SC 104-11 04 0 2P BLK/BL		
100	FAB 4033 4020	4	SC 104-11 04 0 2P BLK/BL		





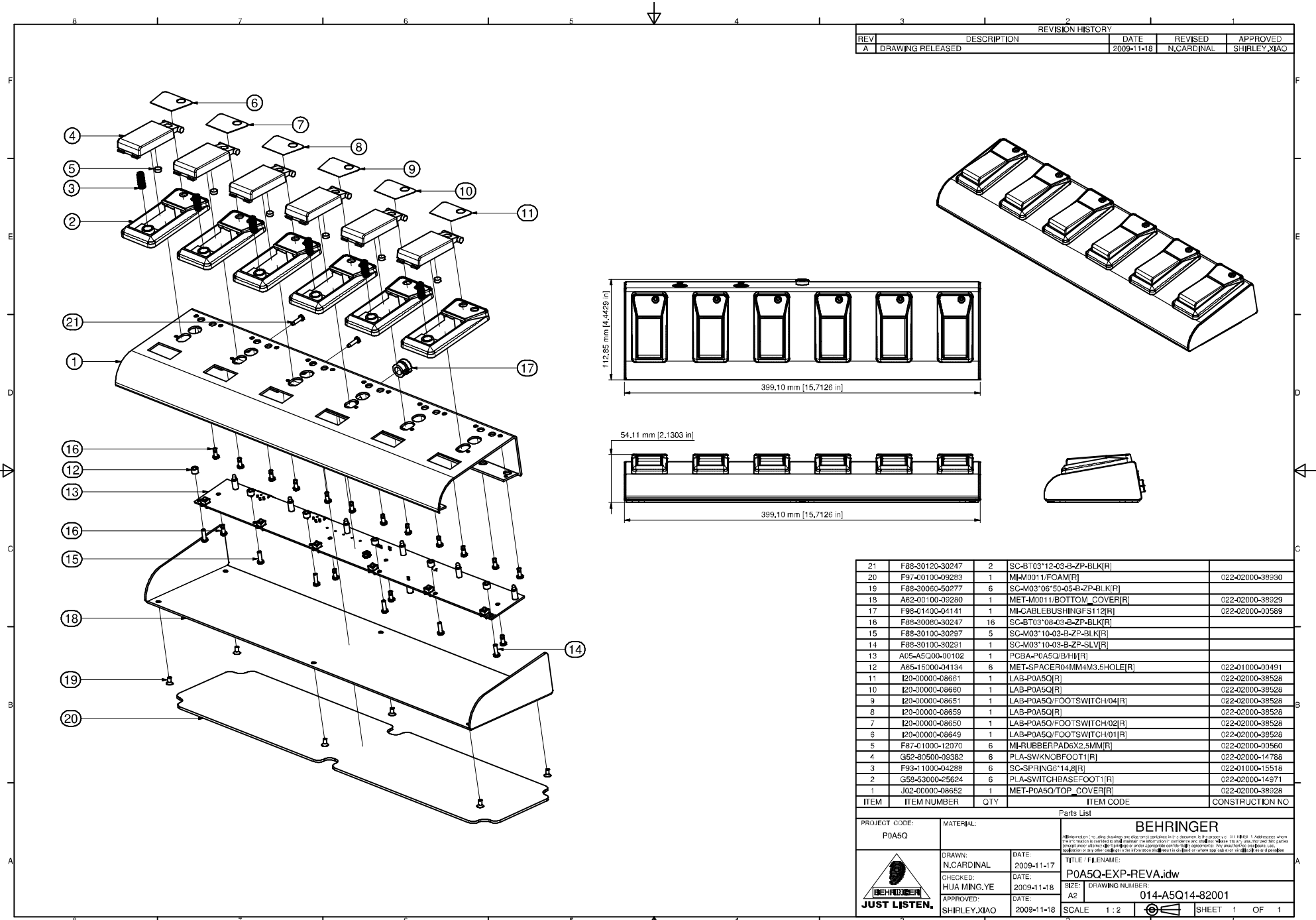
REVISION HISTORY				
REV	DESCRIPTION	DATE	REVISED	APPROVED
A	DRAWING RELEASED	2012-05-16	N.CARDINAL	SHIRLEY.XIAO

5	F88-30080-30291	1	SC-M03*08-03-B-ZP-SLV[R]	
4	F85-03000-44001	1	SC-NUHEXM03[R]	
3	F96-40300-60053	1	SC-WA-03-030*060*005-CR3-SLV[R]	
2	F96-10300-60050	1	SC-WAPL3*6*0.5[R]	
1	G58-00400-11804	4	PLA-LEDSPACERVAMP[R]	022-02000-15853
ITEM	ITEM NUMBER	QTY	ITEM CODE	CONSTRUCTION NO.

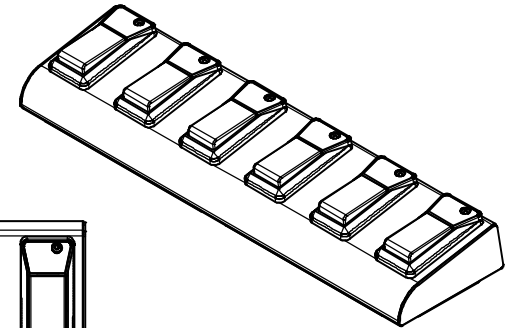
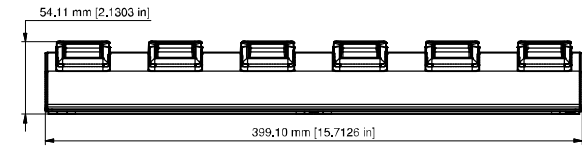
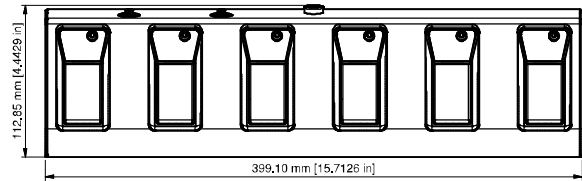
MECHANICAL PARTS LIST

All information (including drawings and diagrams) contained in this document is the property of MUSIC GROUP LTD. Addressees whom the information is confided to shall maintain the information in confidence and shall not release it to any unauthorized third parties (except under attorney client privilege or under appropriate confidentiality agreements). Any unauthorized disclosure, use, application or any other dealings in the information shall result in civil and/or (where applicable) criminal liabilities and penalties.

 MUSIC GROUP	PROJECT: P0405	DRAWN: N.CARDINAL	DESCRIPTION: P0405-PCB_TUBECTL3-ASM		
	MATERIAL: N/A	CHECKED: HUA MING.YE			
	FINISH: N/A	APPROVED: SHIRLEY.XIAO	SIZE: A4	DRAWING NUMBER: 014-00000-59738	REV: A
	DATE: 2012-05-16	SCALE 2 : 1		SHEET 1 OF 1	



REVISION HISTORY				
REV	DESCRIPTION	DATE	REVISED	APPROVED
A	DRAWING RELEASED	2009-11-18	N.CARDINAL	SHIRLEY.XIAO



ITEM	ITEM NUMBER	QTY	ITEM CODE	CONSTRUCTION NO
21	F88-30120-30247	2	SC-BT03*12-03-B-ZP-BLK[R]	
20	F97-40100-09283	1	MI-M0011[FOAM[R]]	022-02000-38930
19	F88-30080-50277	6	SC-M03*06*50-05-B-ZP-BLK[R]	
18	A82-00100-09280	1	MET-M0011/BOTTOM_COVER[R]	022-02000-38929
17	F98-01400-04141	1	MI-CABLEBUSHINGFS112[R]	022-02000-00589
16	F88-30080-30247	16	SC-BT03*08-03-B-ZP-BLK[R]	
15	F88-30100-30297	5	SC-M03*10-03-B-ZP-BLK[R]	
14	F88-30100-30291	1	SC-M03*10-03-B-ZP-SLV[R]	
13	A05-A5Q00-00102	1	PCBA-P0A5Q[B/H][R]	
12	A65-15000-04134	6	MET-SPACER04MMH3.5HOLE[R]	022-01000-00491
11	I20-00000-08661	1	LAB-P0A5Q[R]	022-02000-38528
10	I20-00000-08660	1	LAB-P0A5Q[R]	022-02000-38528
9	I20-00000-08651	1	LAB-P0A5Q/FOOTSWITCH04[R]	022-02000-38528
8	I20-00000-08659	1	LAB-P0A5Q[R]	022-02000-38528
7	I20-00000-08650	1	LAB-P0A5Q/FOOTSWITCH02[R]	022-02000-38528
6	I20-00000-08649	1	LAB-P0A5Q/FOOTSWITCH01[R]	022-02000-38528
5	F87-01000-12070	6	MI-RUBBERPAD6X2.5MM[R]	022-02000-00560
4	G82-80500-08382	6	PLA-SV/KNOBFOOT1[R]	022-02000-14768
3	F93-11000-04288	6	SC-SPRING*14.8[R]	022-01000-15518
2	G58-53000-25624	6	PLA-SWITCHBASEFOOT1[R]	022-02000-14971
1	J02-00000-08652	1	MET-P0A5Q/TOP_COVER[R]	022-02000-38928

PROJECT CODE: P0A5Q MATERIAL: BEHRINGER

DATE: 2009-11-17

DRAWN: N.CARDINAL

CHECKED: HUA MING,YE

APPROVED: SHIRLEY,XIAO

DATE: 2009-11-18

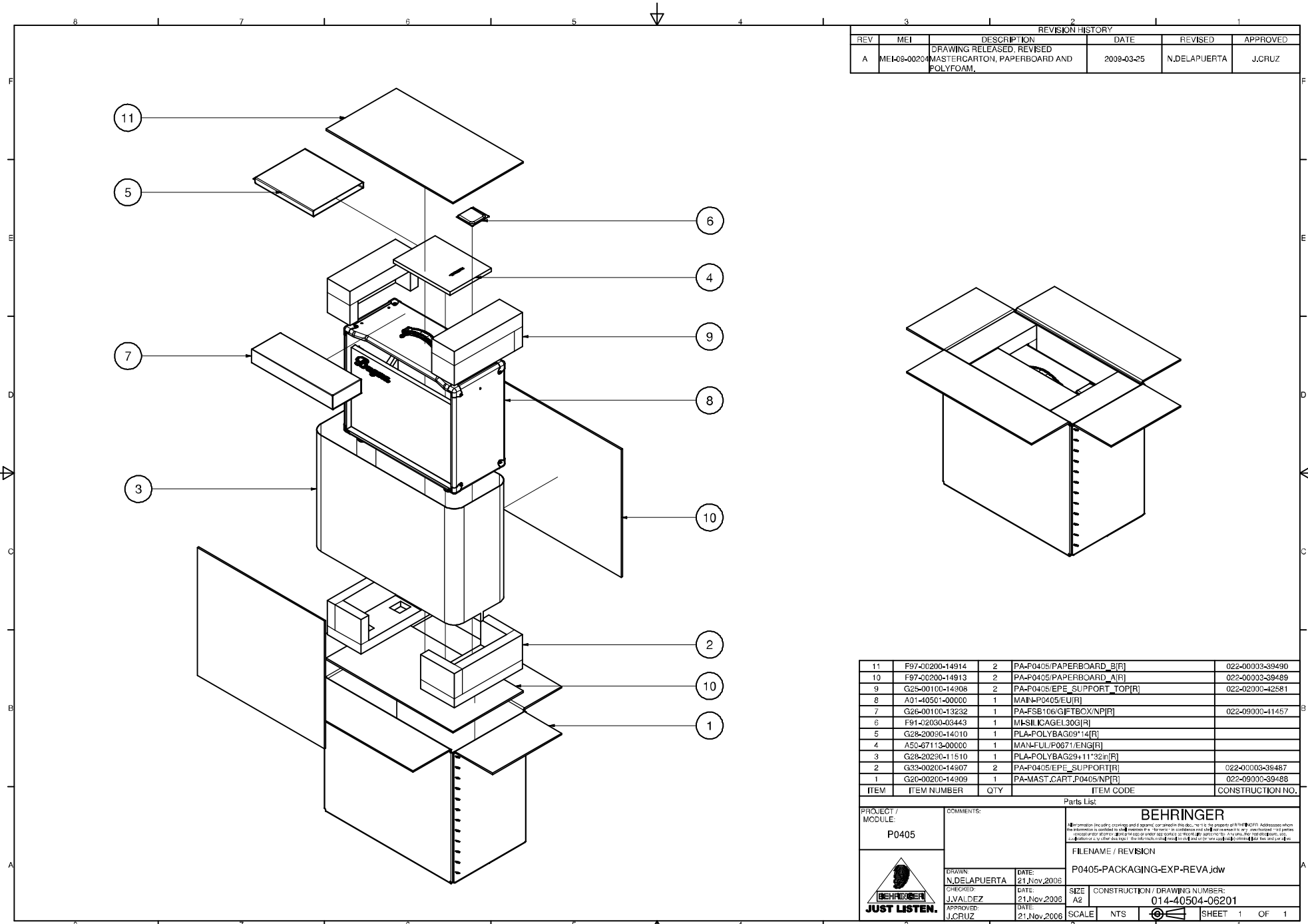
DATE: 2009-11-18

TITLE: FILENAME: P0A5Q-EXP-REVA.idw

SIZE: DRAWING NUMBER: A2 014-A5Q14-82001

SCALE: 1:2 SHEET 1 OF 1

BEHRINGER JUST LISTEN.



ITEM	ITEM NUMBER	QTY	ITEM CODE	CONSTRUCTION NO.
11	F97-00200-14914	2	PA-P0405/PAPERBOARD_B[R]	022-00003-39490
10	F97-00200-14913	2	PA-P0405/PAPERBOARD_A[R]	022-00003-39489
9	G25-00100-14908	2	PA-P0405/EPE_SUPPORT_TOP[R]	022-02000-42581
8	A01-40501-00000	1	MAIN-P0405/EUR[R]	
7	G26-00100-13232	1	PA-FSB106/GIFTBOX/NP[R]	022-09000-11457
6	F91-02030-03443	1	MI-SILICAGEL30G[R]	
5	G28-20090-14010	1	PLA-POLYBAG09*14[R]	
4	A50-67113-00000	1	MAN-FUL/P0671/ENG[R]	
3	G28-20290-11510	1	PLA-POLYBAG29*11*32in[R]	
2	G39-00200-14907	2	PA-P0405/EPE_SUPPORT[R]	022-00003-39487
1	G20-00200-14909	1	PA-MAST_CART_P0405/NP[R]	022-09000-39488

PROJECT / MODULE: P0405

COMMENTS:

BEHRINGER

FILENAME / REVISION: P0405-PACKAGING-EXP-REVA.jdw

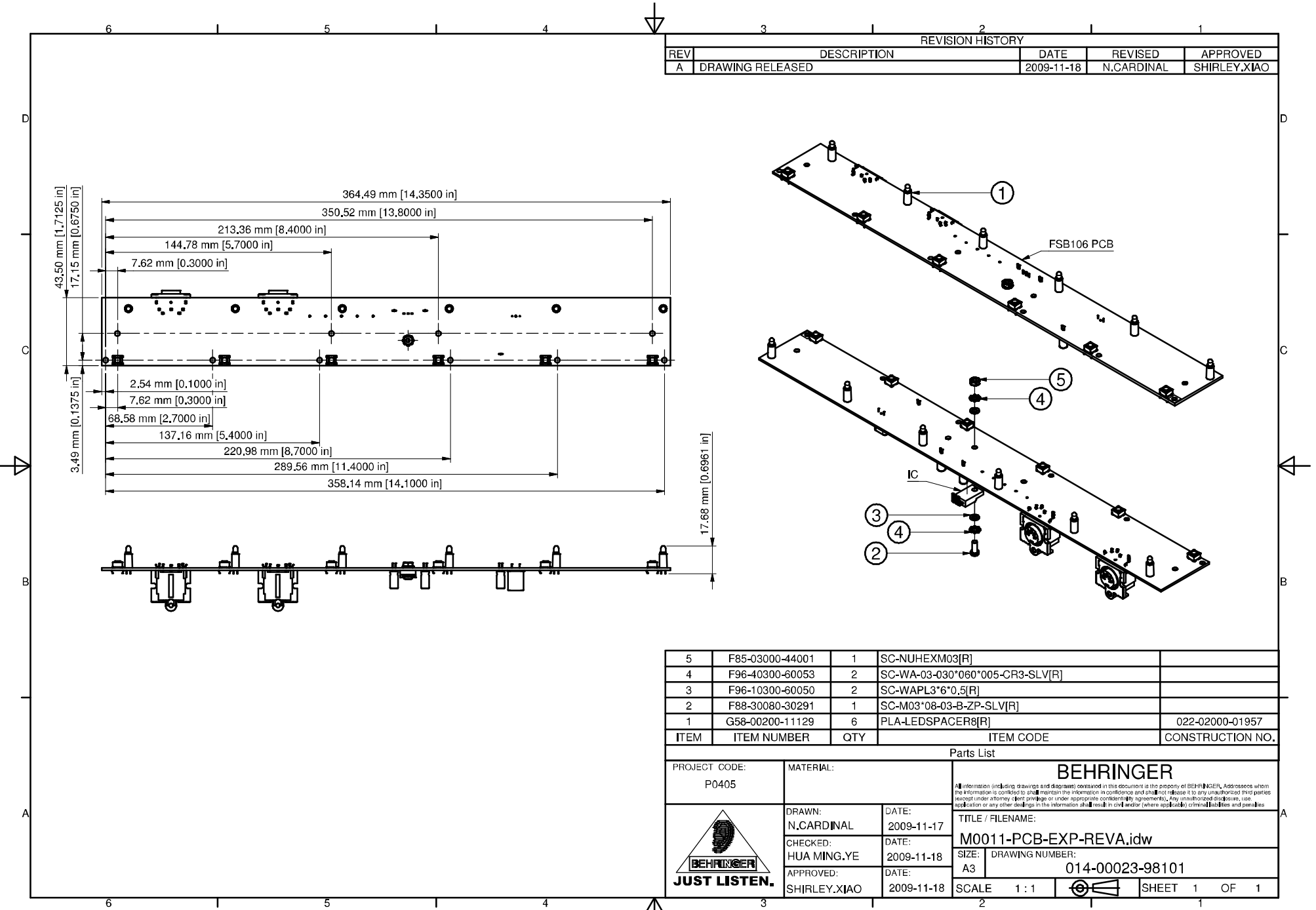
DRAWN: N.DELAPUERTA DATE: 21.Nov.2006

CHECKED: J.VALDEZ DATE: 21.Nov.2006


APPROVED: J.CRUZ DATE: 21.Nov.2006

SIZE: A2 CONSTRUCTION / DRAWING NUMBER: 014-40504-06201

SCALE: NTS SHEET 1 OF 1



5	F85-03000-44001	1	SC-NUHEXM03[R]	
4	F96-40300-60053	2	SC-WA-03-030*060*005-CR3-SLV[R]	
3	F96-10300-60050	2	SC-WAPL3*6*0,5[R]	
2	F88-30080-30291	1	SC-M03*08-03-B-ZP-SLV[R]	
1	G58-00200-11129	6	PLA-LEDSPACER8[R]	022-02000-01957
ITEM	ITEM NUMBER	QTY	ITEM CODE	CONSTRUCTION NO.

Parts List				
PROJECT CODE: P0405	MATERIAL:	BEHRINGER <small>All information (including drawings and diagrams) contained in this document is the property of BEHRINGER. Addressees whom the information is confined to shall maintain the information in confidence and shall not release it to any unauthorized third parties except under a license, joint privilege or under appropriate confidentiality agreements. Any unauthorized disclosure, use, application or any other dealings in the information shall result in civil and/or (where applicable) criminal liabilities and penalties.</small>		
	DRAWN: N.CARDINAL	DATE: 2009-11-17	TITLE / FILENAME: M0011-PCB-EXP-REVA.idw	
	CHECKED: HUA MING.YE	DATE: 2009-11-18	SIZE: A3	DRAWING NUMBER: 014-00023-98101
	APPROVED: SHIRLEY.XIAO	DATE: 2009-11-18	SCALE 1 : 1	SHEET 1 OF 1

