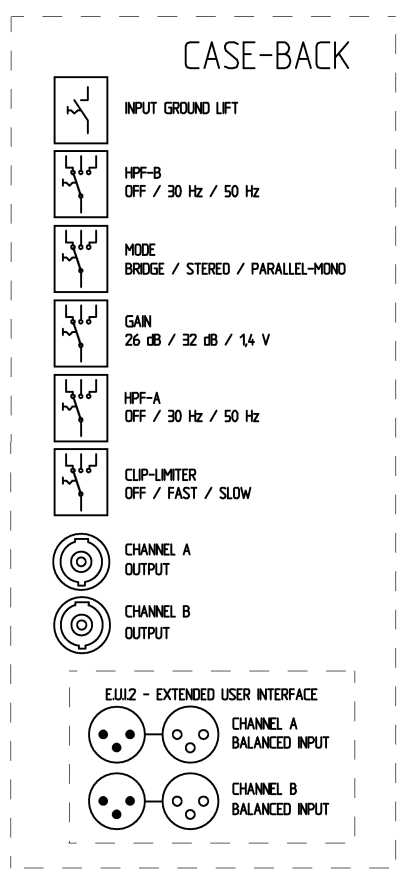
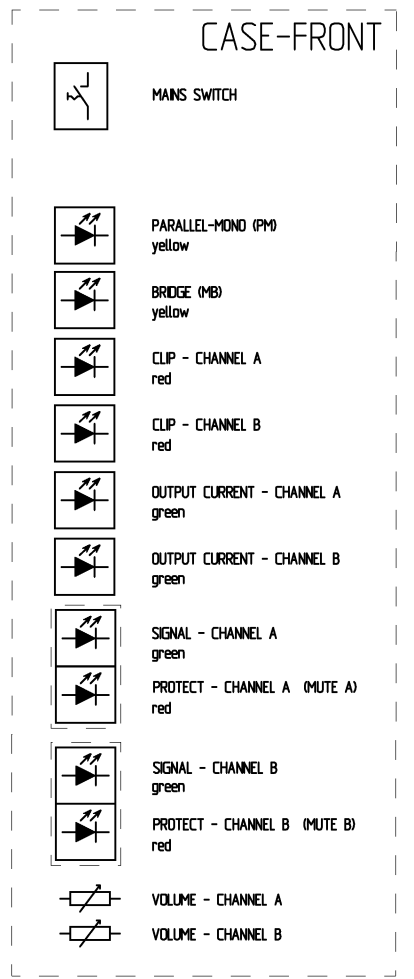
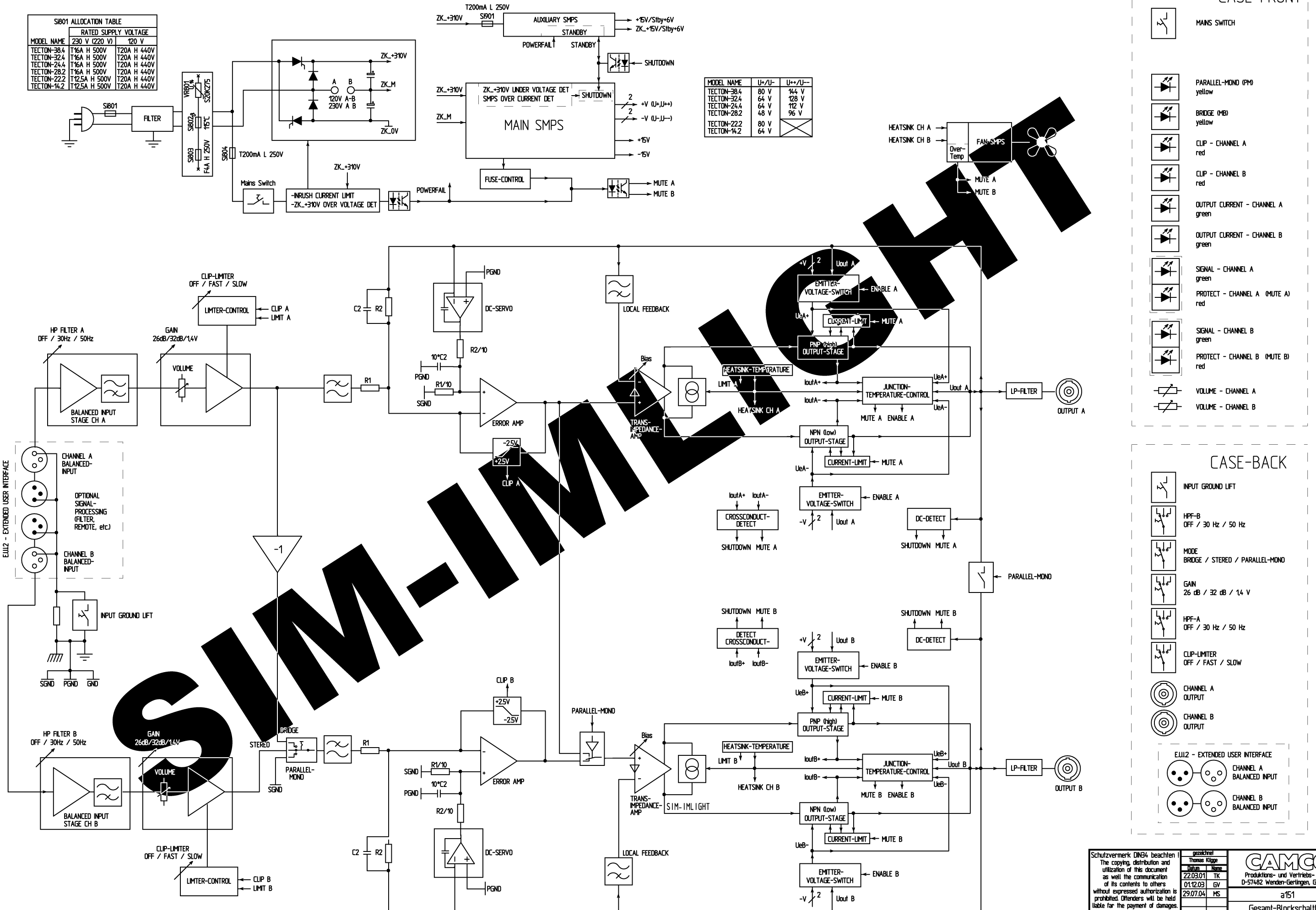


SIB01 ALLOCATION TABLE		
MODEL NAME	RATED SUPPLY VOLTAGE	
	230 V (220 V)	120 V
TECTON-38.4	T16A H 500V	T20A H 440V
TECTON-32.4	T16A H 500V	T20A H 440V
TECTON-24.4	T16A H 500V	T20A H 440V
TECTON-28.2	T16A H 500V	T20A H 440V
TECTON-22.2	T12.5A H 500V	T20A H 440V
TECTON-14.2	T12.5A H 500V	T20A H 440V

MODEL NAME	U+/U-	U++/U--
TECTON-38.4	80 V	144 V
TECTON-32.4	64 V	128 V
TECTON-24.4	64 V	112 V
TECTON-28.2	48 V	96 V
TECTON-22.2	80 V	
TECTON-14.2	64 V	



Schutzvermerk DIN84 beachten!
The copying, distribution and utilization of this document as well as the communication of its contents to others without expressed authorization is prohibited. Offenders will be held liable for the payment of damages. All rights reserved in the event of the grant of a patent, utility model or ornamental design registration.

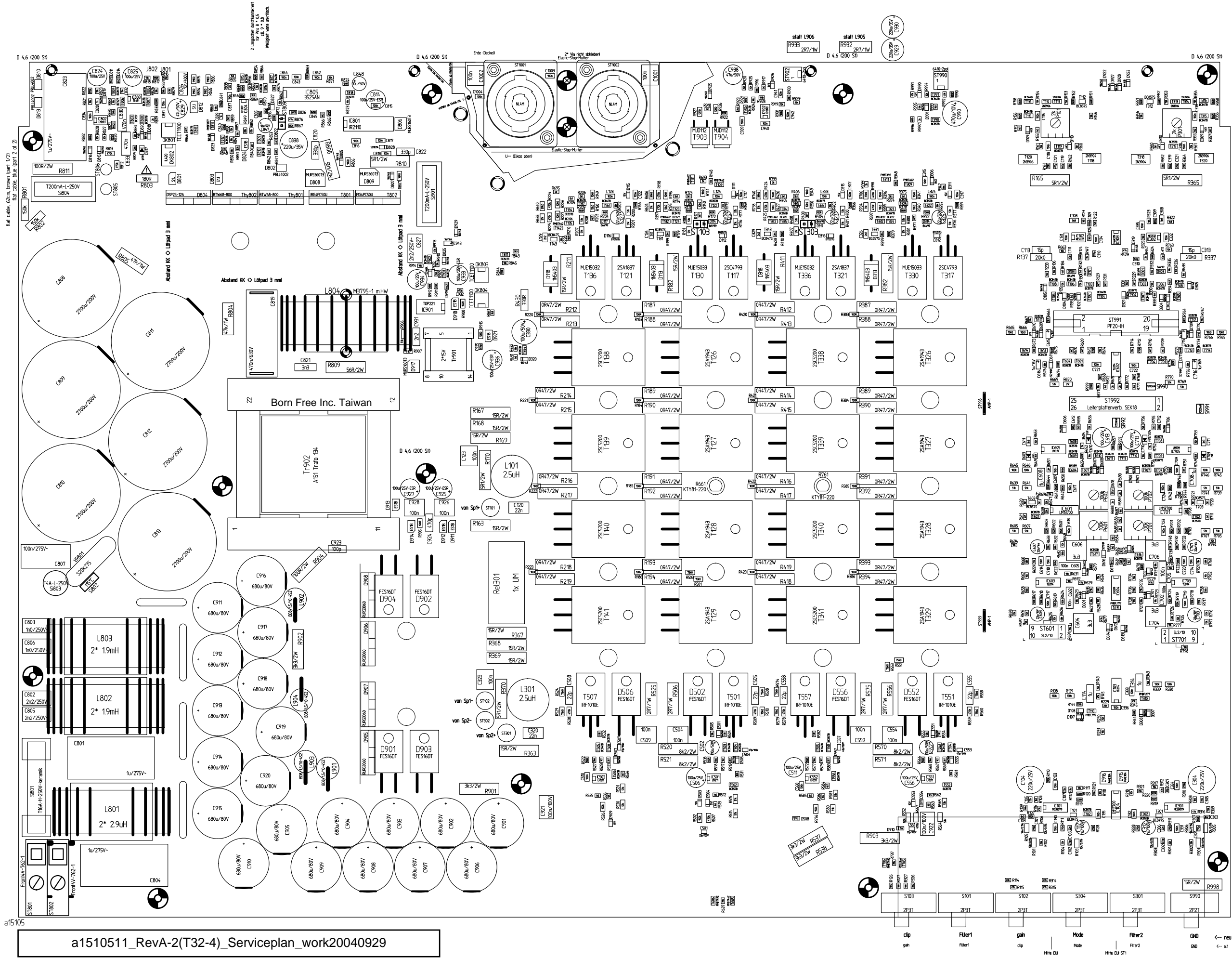
gezeichnet	Thomas Kluge
gezeichnet	TK
gezeichnet	GV
gezeichnet	MS

CAMCO
Produktions- und Vertriebs-GmbH
D-57482 Wenden-Gertlingen, Germany

a151

Gesamt-Blockschaltbild

Stand 28.07.04 alle Varianten Blatt 11/11



D 4,6 (200 SI)

D 4,6 (200 SI)

D 4,6 (200 SI)

D 4,6 (200 SI)

100n/275V-
S804

100n/275V-
S804

100n/275V-
S804

100n/275V-
S804

100n/275V-
S804

100n/275V-
S804

100n/275V-
S804

100n/275V-
S804

100n/275V-
S804

100n/275V-
S804

100n/275V-
S804

100n/275V-
S804

100n/275V-
S804

100n/275V-
S804

100n/275V-
S804

100n/275V-
S804

100n/275V-
S804

100n/275V-
S804

100n/275V-
S804

100n/275V-
S804

100n/275V-
S804

100n/275V-
S804

100n/275V-
S804

100n/275V-
S804

100n/275V-
S804

100n/275V-
S804

100n/275V-
S804

100n/275V-
S804

100n/275V-
S804

100n/275V-
S804

100n/275V-
S804

100n/275V-
S804

100n/275V-
S804

100n/275V-
S804

100n/275V-
S804

100n/275V-
S804

100n/275V-
S804

100n/275V-
S804

100n/275V-
S804

100n/275V-
S804

100n/275V-
S804

100n/275V-
S804

100n/275V-
S804

100n/275V-
S804

100n/275V-
S804

100n/275V-
S804

100n/275V-
S804

100n/275V-
S804

100n/275V-
S804

100n/275V-
S804

100n/275V-
S804

100n/275V-
S804

100n/275V-
S804

100n/275V-
S804

100n/275V-
S804

100n/275V-
S804

100n/275V-
S804

100n/275V-
S804

100n/275V-
S804

100n/275V-
S804

100n/275V-
S804

100n/275V-
S804

100n/275V-
S804

100n/275V-
S804

100n/275V-
S804

100n/275V-
S804

100n/275V-
S804

100n/275V-
S804

100n/275V-
S804

100n/275V-
S804

100n/275V-
S804

100n/275V-
S804

100n/275V-
S804

100n/275V-
S804

100n/275V-
S804

100n/275V-
S804

100n/275V-
S804

100n/275V-
S804

100n/275V-
S804

100n/275V-
S804

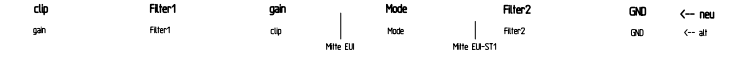
100n/275V-
S804

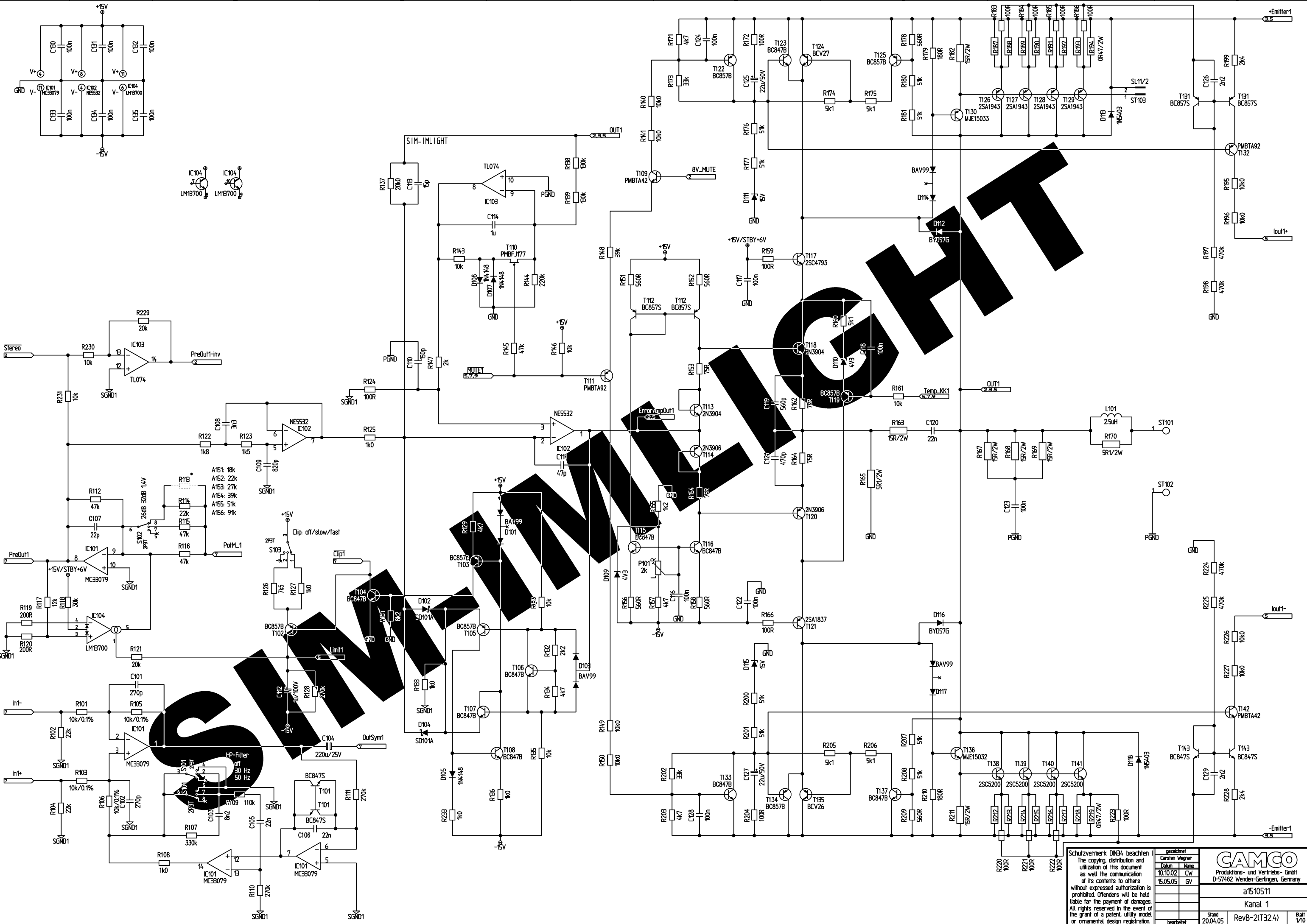
a15105

a1510511_RevA-2(T32-4)_Serviceplan_work20040929

Schutzvermerk DIN34 beachten !
The copying, distribution and utilization of this document as well as the communication of its contents to others without expressed authorization is prohibited. Offenders will be held liable for the payment of damages. All rights reserved in the event of the grant of a patent, utility model or ornamental design registration.

Fachbereich 26 pd
Signalführung 26 pd
Friedrich 26 pd





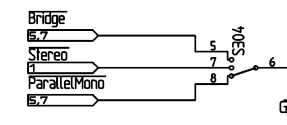
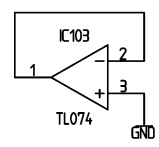
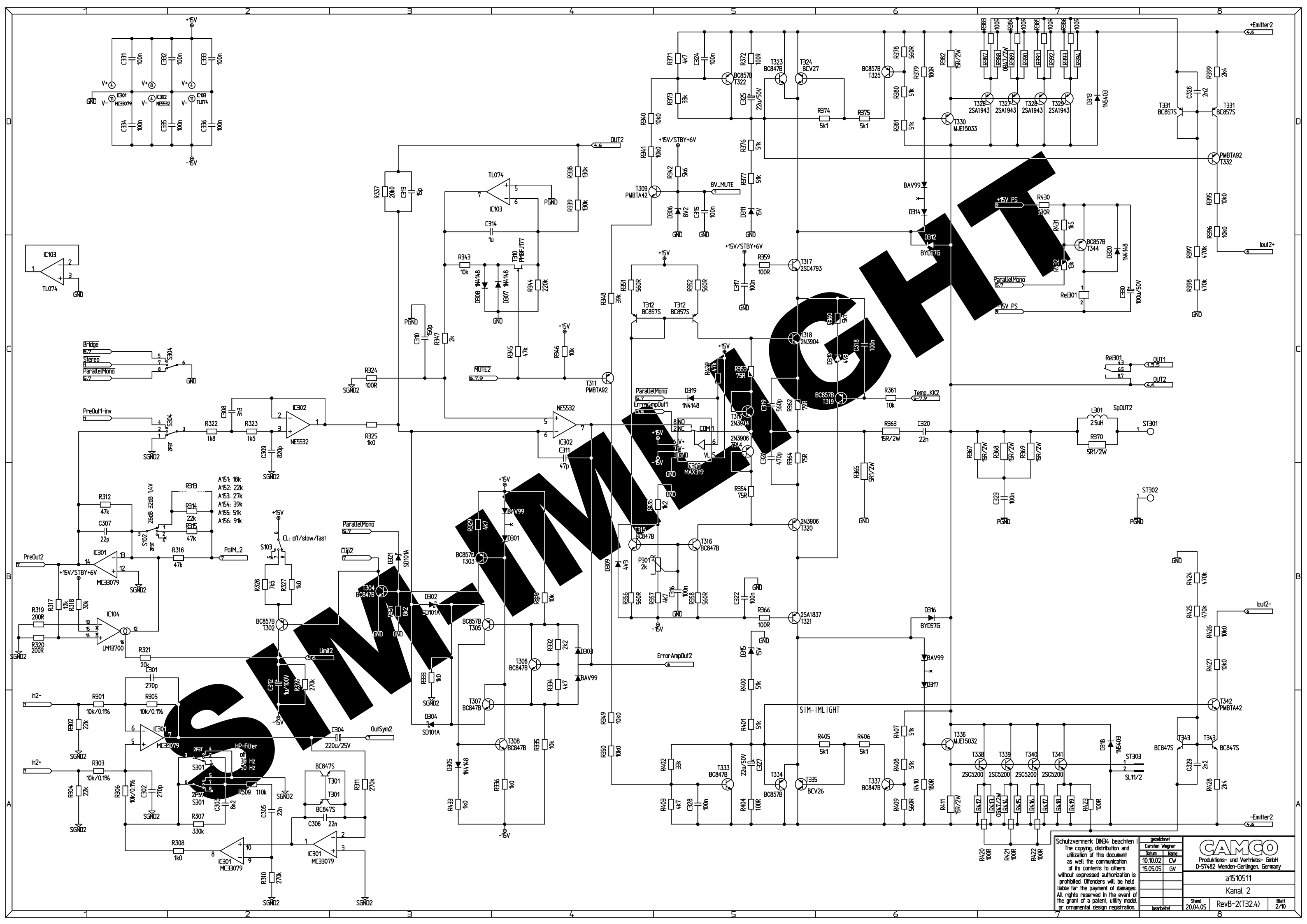
Schutzvermerk DIN34 beachten!
 The copying, distribution and utilization of this document as well as the communication of its contents to others without expressed authorization is prohibited. Offenders will be held liable for the payment of damages. All rights reserved in the event of the grant of a patent, utility model or ornamental design registration.

gezeichnet	Carsten Wagner
Datum	10.10.02
Blatt	CW
Version	15.05.05
GV	

CAMCO
 Produktions- und Vertriebs- GmbH
 D-57482 Wenden-Gerlingen, Germany

a1510511
 Kanal 1

Stand	20.04.05	RevB-2(T32.4)	Blatt	1/10
-------	----------	---------------	-------	------



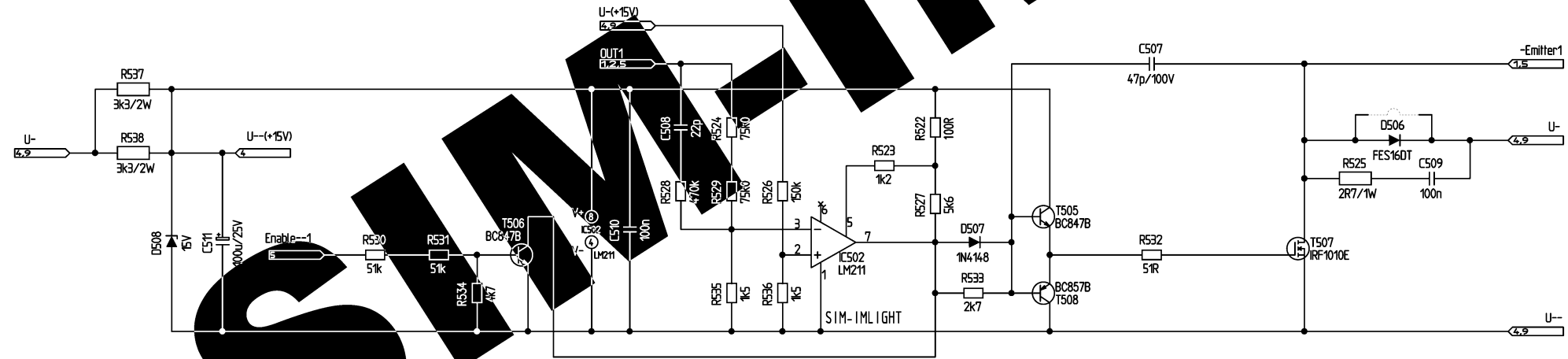
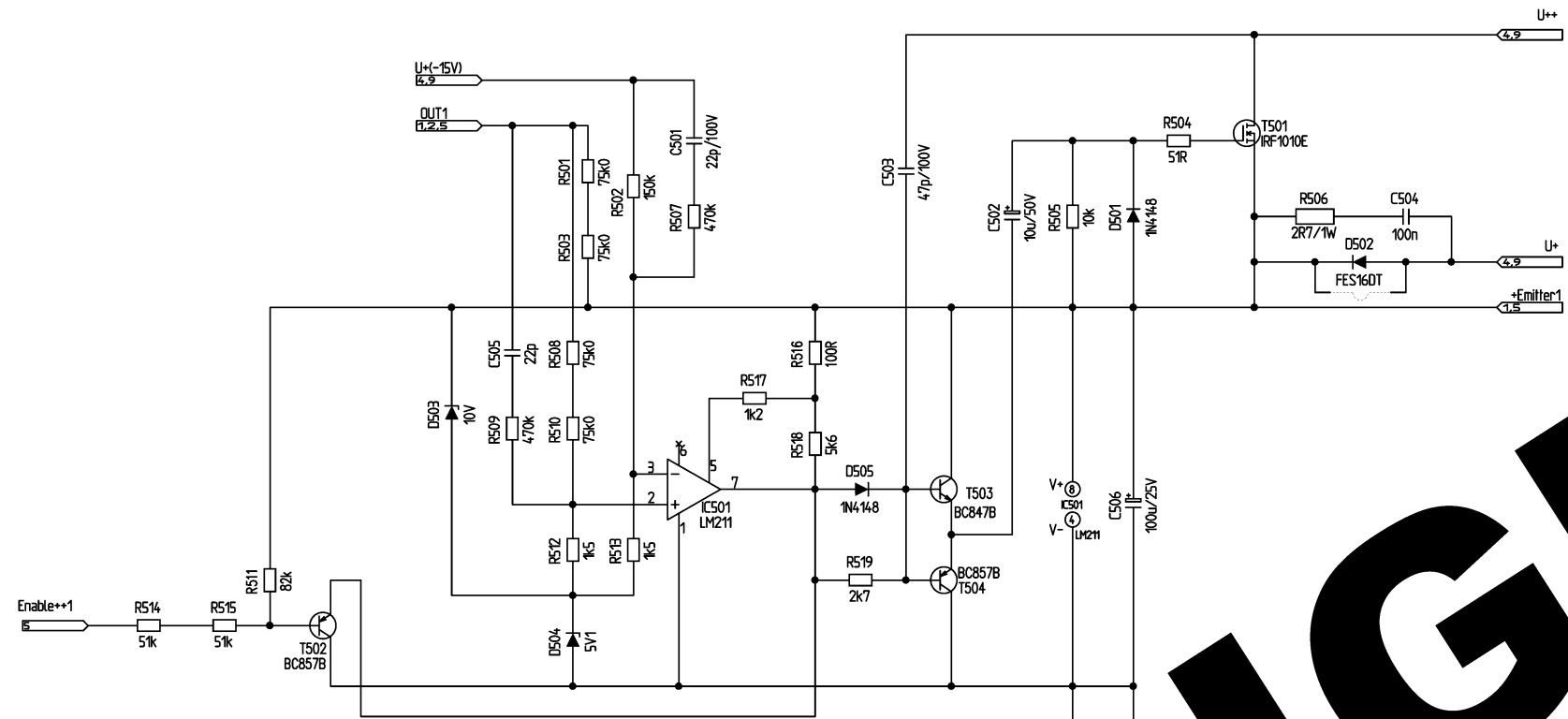
Schutzvermerk DIN34 beachten!
 The copying, distribution and utilization of this document as well as the communication of its contents to others without expressed authorization is prohibited. Offenders will be held liable for the payment of damages. All rights reserved in the event of the grant of a patent, utility model or ornamental design registration.

gezeichnet	Carsten Wagner
Datum	10.10.02
Umsatz	CW
Geprüft	15.05.05
GV	

CAMCO
 Produktions- und Vertriebs-GmbH
 D-57482 Wenden-Gertlingen, Germany

a1510511
 Kanal 2

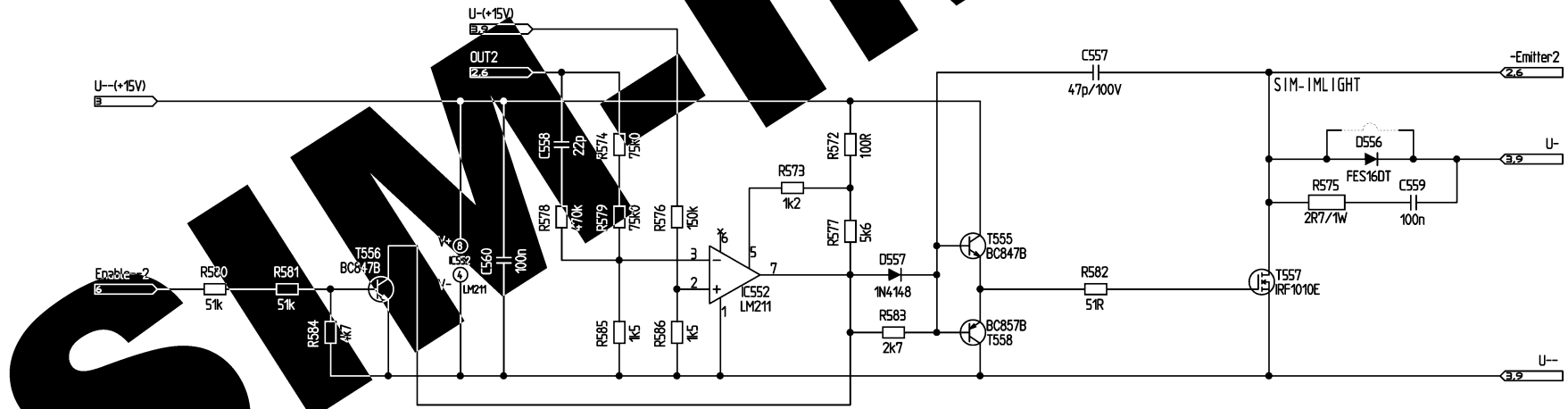
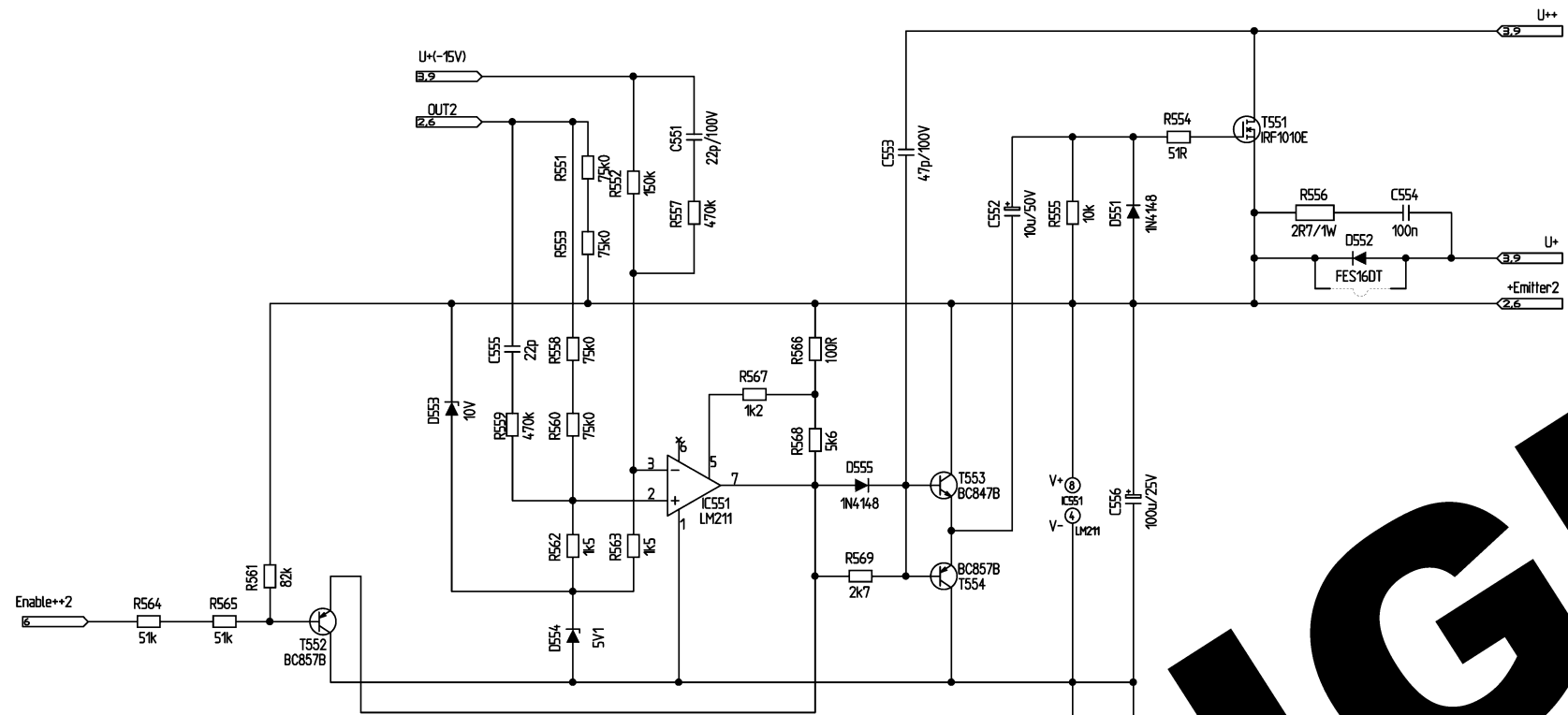
Stand	20.04.05	RevB-2(T32.4)	Blatt	2/10
-------	----------	---------------	-------	------



SIM-IMMLIGHT


A155, A156: all unplaced, 2 short placed

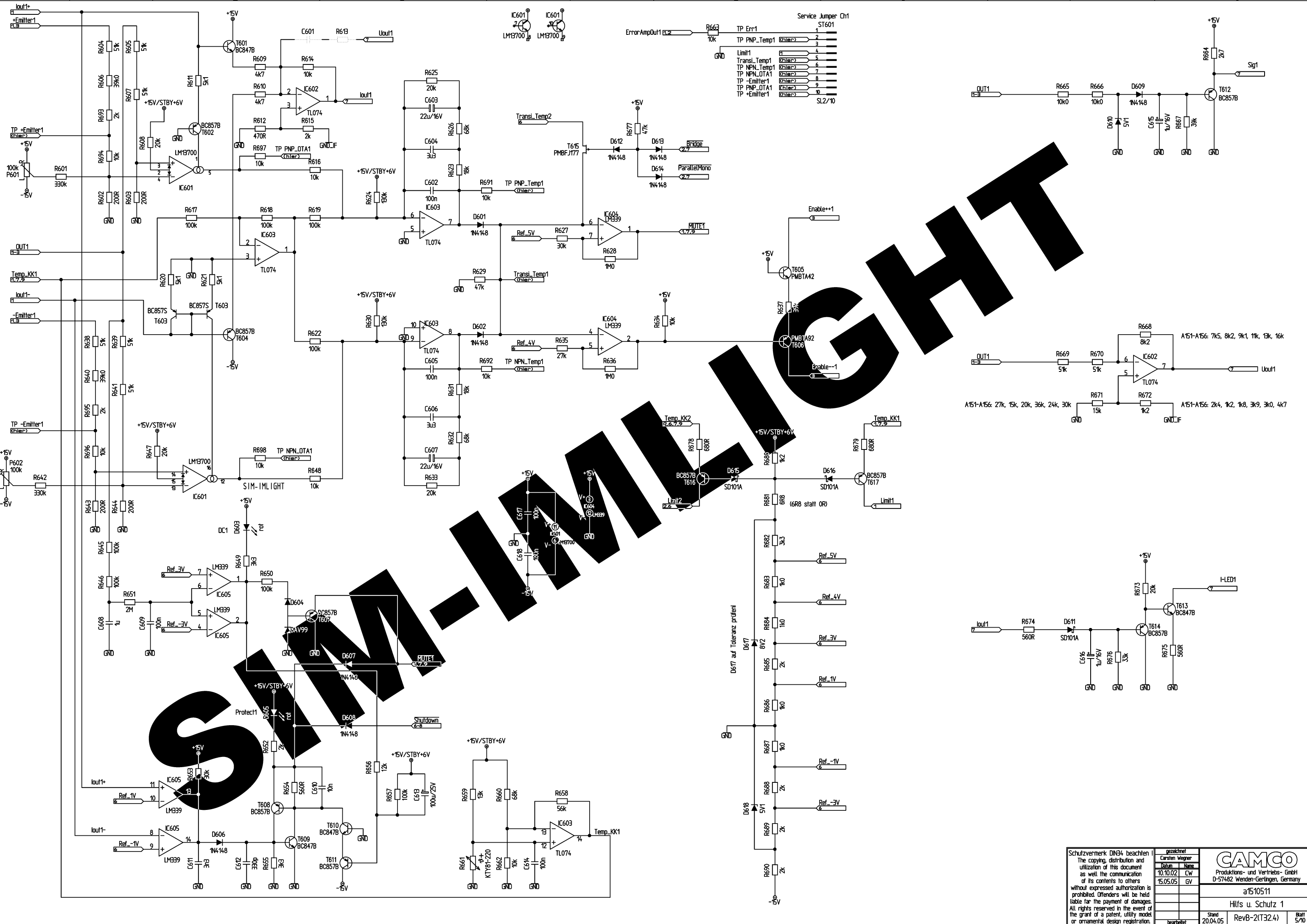
Schutzvermerk DIN34 beachten! The copying, distribution and utilization of this document as well as the communication of its contents to others without expressed authorization is prohibited. Offenders will be held liable for the payment of damages. All rights reserved in the event of the grant of a patent, utility model or ornamental design registration.	gezeichnet	CAMCO Produktions- und Vertriebs- GmbH D-57482 Wenden-Gerlingen, Germany	
	Carsten Wegner		
	Datum	a1510511	
	10.10.02 CW	EmitterBusse 1	
15.05.05 GV	RevB-2(T32.4)		Blatt 3/10
Stand	20.04.05		
bearbeitet			

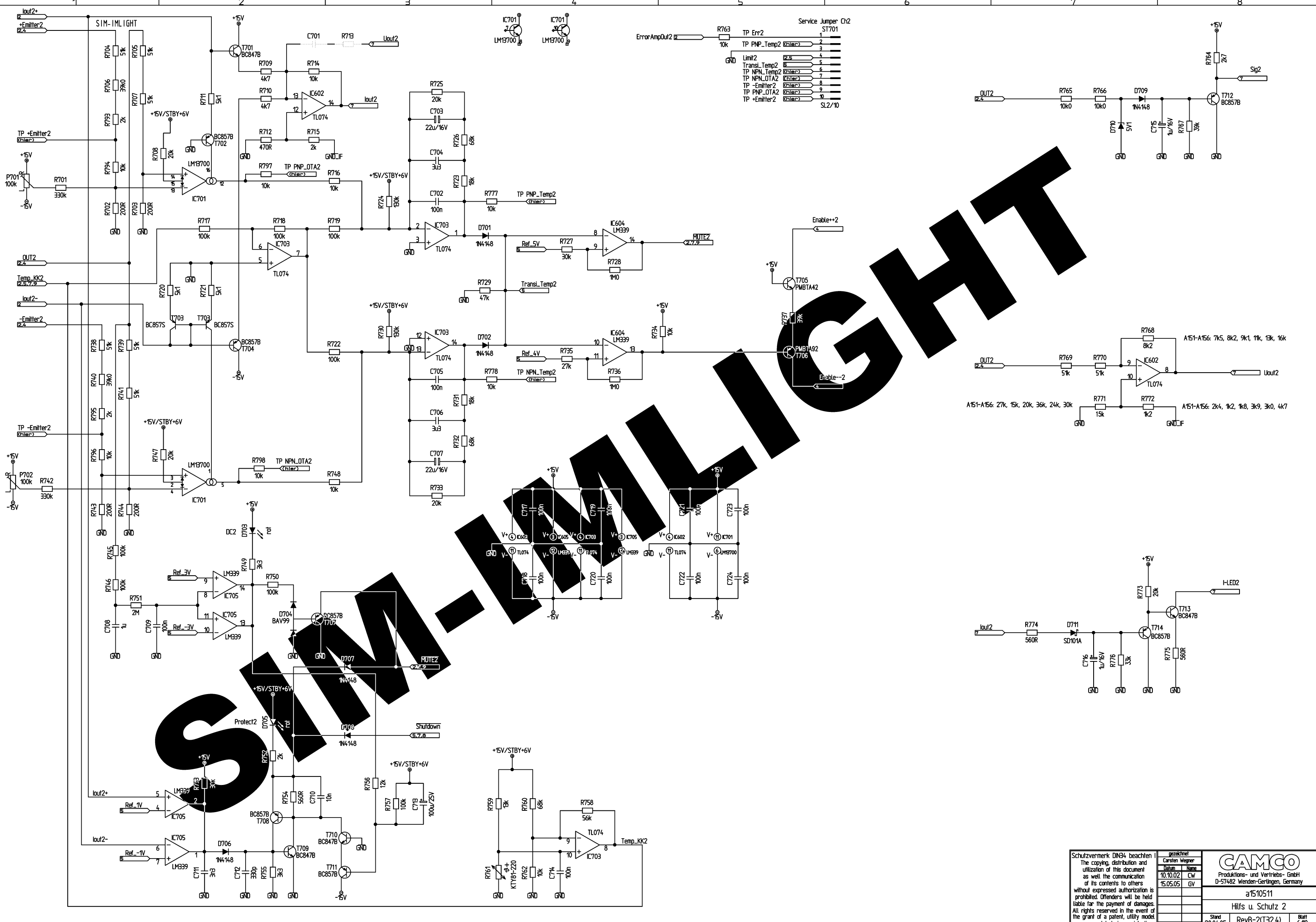



A155, A156: all unplaced, 2 short placed

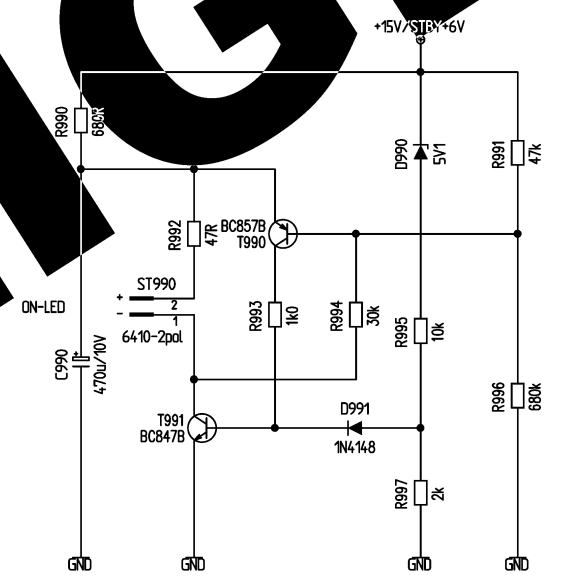
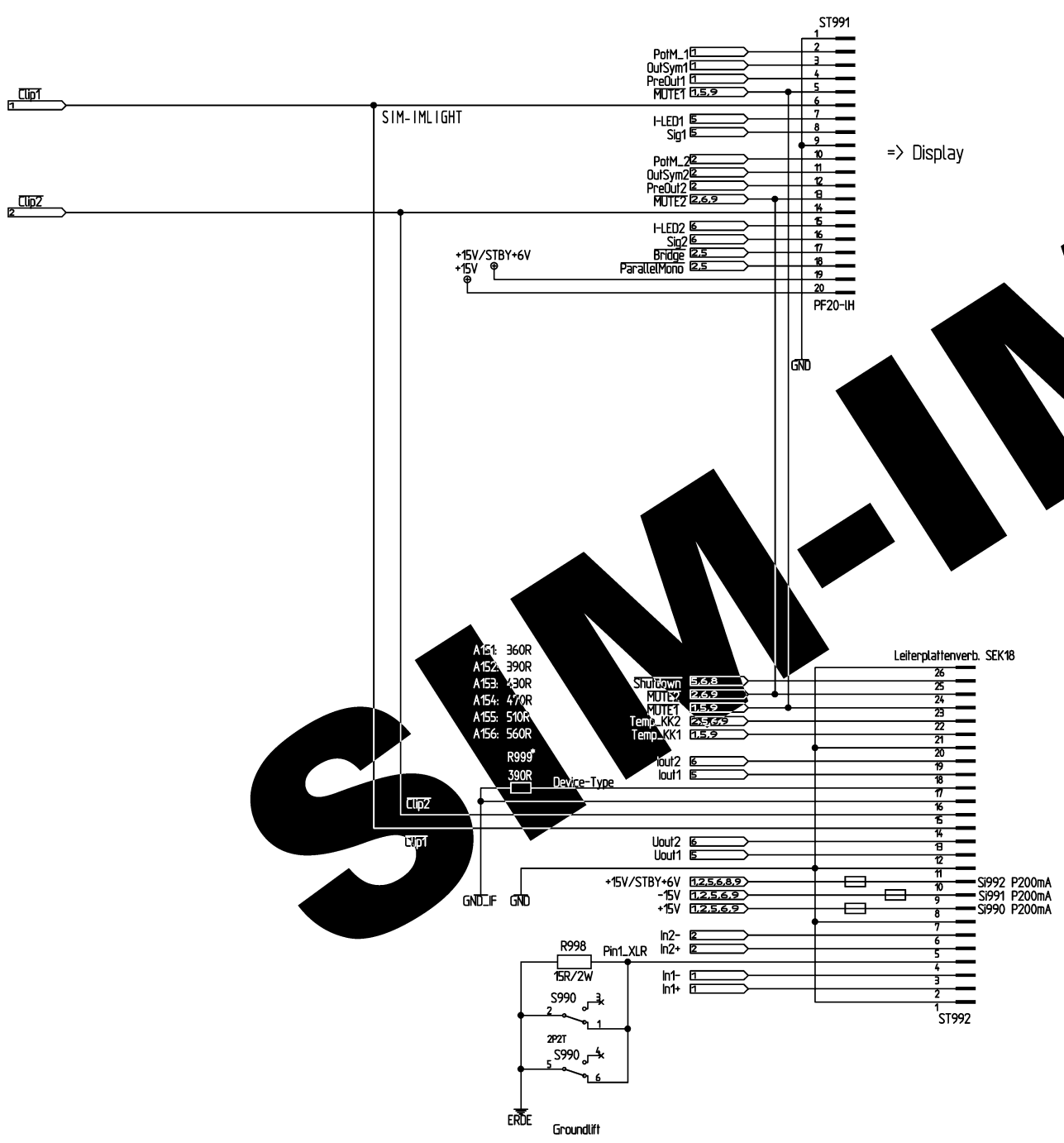
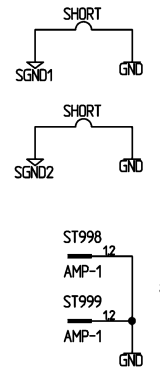
SIM-IMMLIGHT

Schutzvermerk DIN34 beachten! The copying, distribution and utilization of this document as well as the communication of its contents to others without expressed authorization is prohibited. Offenders will be held liable for the payment of damages. All rights reserved in the event of the grant of a patent, utility model or ornamental design registration.		gezeichnet Carsten Wegner	 Produktions- und Vertriebs- GmbH D-57482 Wenden-Gerlingen, Germany	
Datum	10.10.02	Nr.		
bearbeitet	15.05.05	GV		
		a1510511		
		EmitterBusse 2		
Stand	20.04.05	RevB-2(T32.4)	Blatt 4/10	



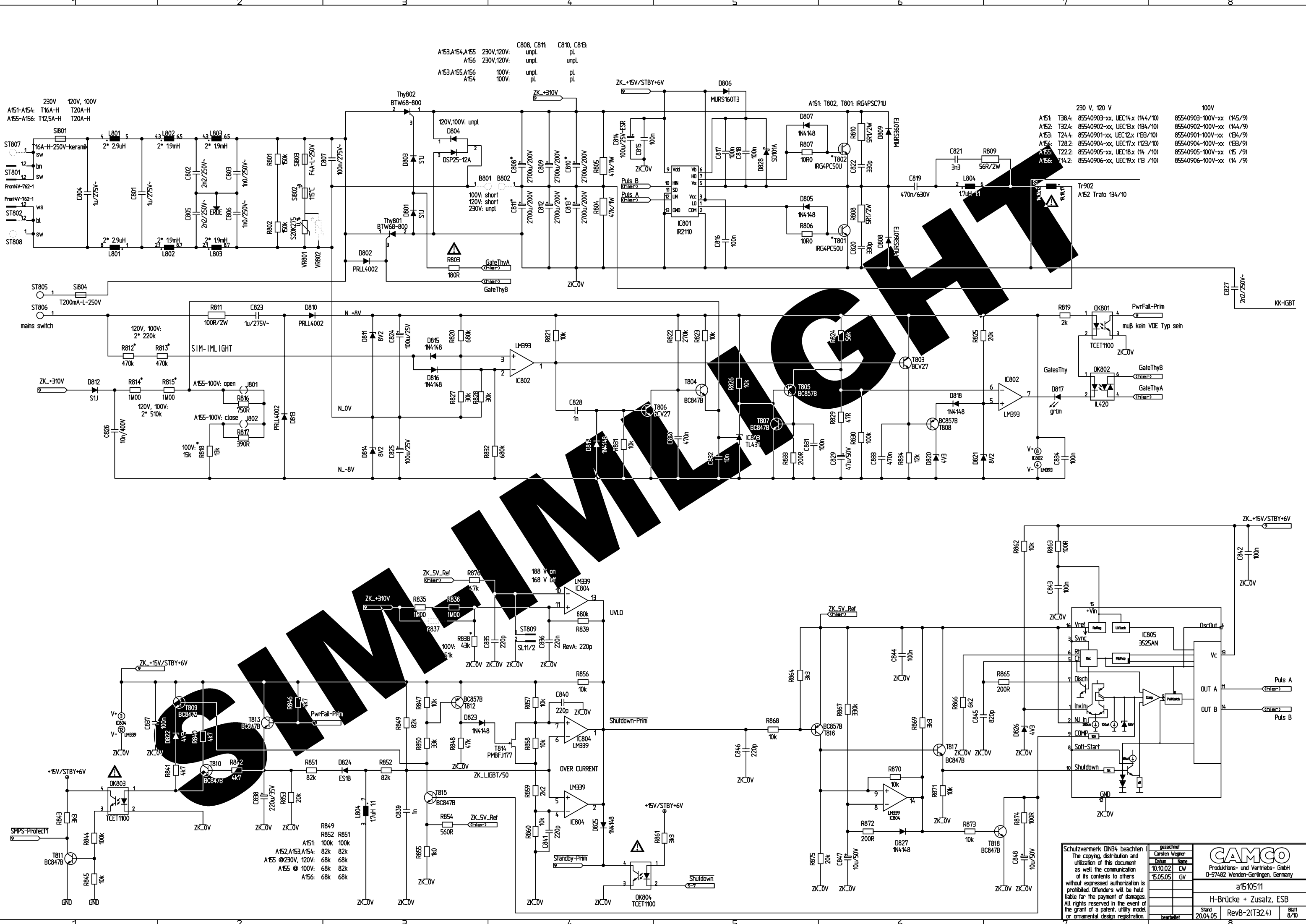


Schutzvermerk DIN34 beachten! The copying, distribution and utilization of this document as well as the communication of its contents to others without expressed authorization is prohibited. Offenders will be held liable for the payment of damages. All rights reserved in the event of the grant of a patent, utility model or ornamental design registration.		gezeichnet Carsten Wegner	 Produktions- und Vertriebs- GmbH D-57482 Wenden-Gerlingen, Germany
		Datum 10.10.02 CW	
		15.05.05 GV	a1510511
			Hilfs u. Schutz 2
Stand	20.04.05	RevB-2(T32.4)	Blatt 6/10



SIM-IMMLIGHT

Schutzvermerk DIN34 beachten!		gezeichnet		CAMCO Produktions- und Vertriebs-GmbH D-57482 Wenden-Gerlingen, Germany
The copying, distribution and utilization of this document as well as the communication of its contents to others without expressed authorization is prohibited. Offenders will be held liable for the payment of damages. All rights reserved in the event of the grant of a patent, utility model or ornamental design registration.		Carsten Wegner		
		Datum Name		
		10.10.02 CW		a1510511
		15.05.05 GV		DisplayCon / EUI
		bearbeitet		Stand 20.04.05
				RevB-2(T32.4)
				Blatt 7/10



C808, C811 C810, C813
 A153, A154, A155 230V, 120V: unpl. pt. unpl.
 A156 230V, 120V: unpl. pt. unpl.
 A153, A155, A156 100V: unpl. pt. unpl.

230 V, 120 V
 A151: T38.4: 85540903-xx, UEC14.x (144/10) 85540903-100V-xx (145/9)
 A152: T32.4: 85540902-xx, UEC13.x (134/10) 85540902-100V-xx (144/9)
 A153: T24.4: 85540901-xx, UEC12.x (123/10) 85540901-100V-xx (134/9)
 A154: T28.2: 85540904-xx, UEC17.x (123/10) 85540904-100V-xx (133/9)
 A155: T22.2: 85540905-xx, UEC18.x (14 /10) 85540905-100V-xx (15 /9)
 A156: T14.2: 85540906-xx, UEC19.x (13 /10) 85540906-100V-xx (14 /9)

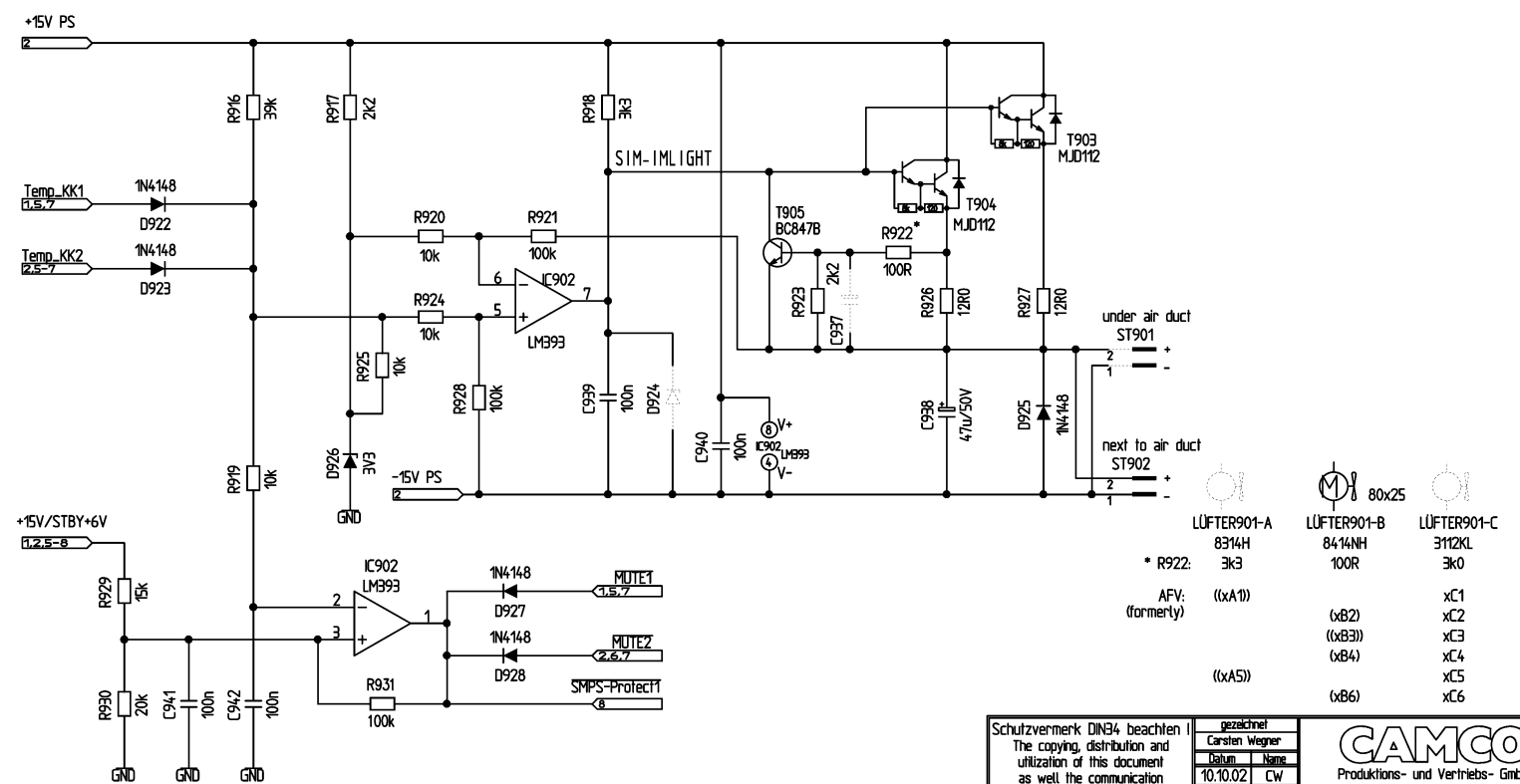
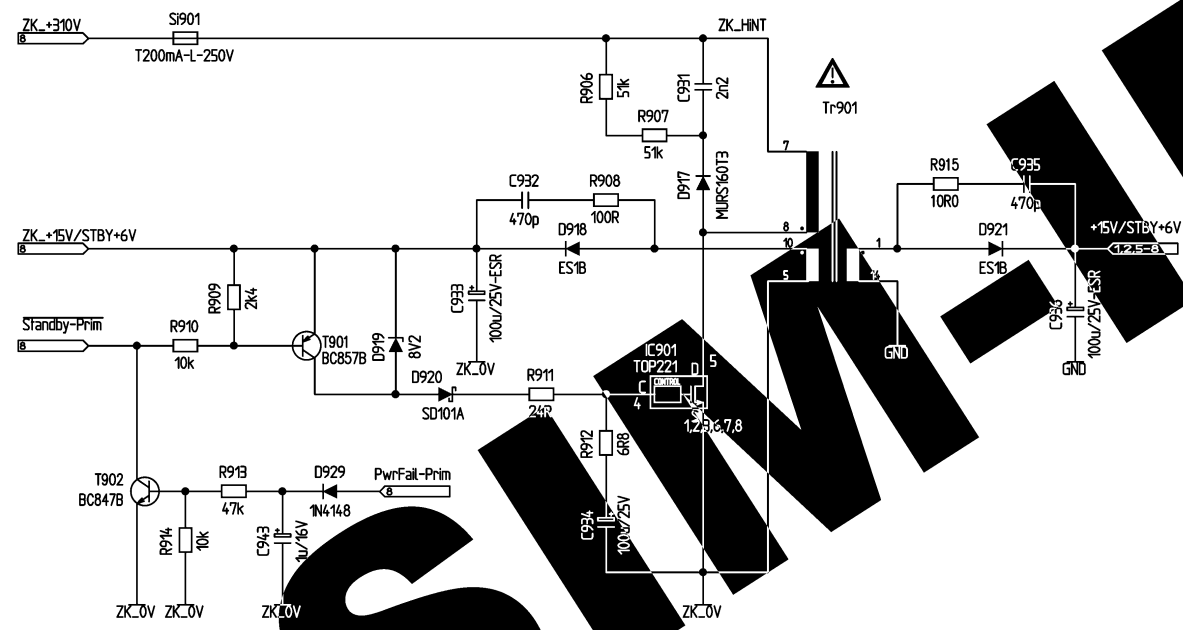
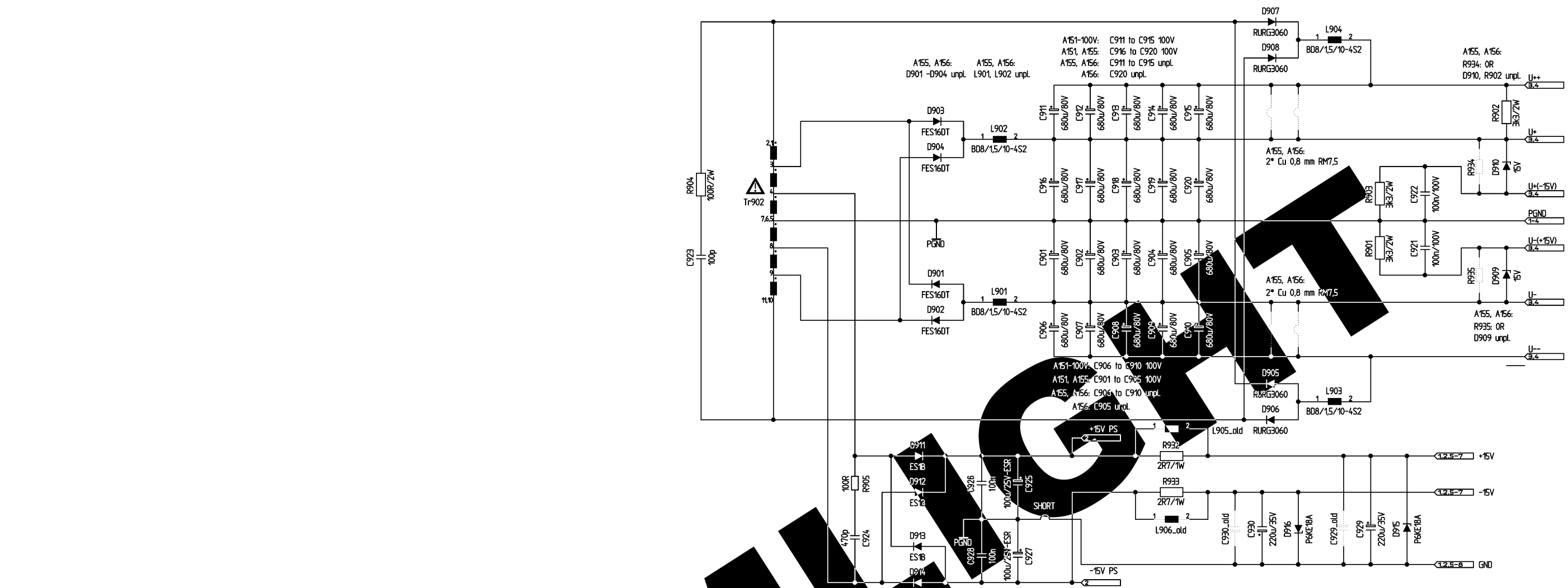
R849 R852 R851
 A151: 100k 100k
 A152, A153, A154: 82k 82k
 A155 @ 230V, 120V: 68k 68k
 A155 @ 100V: 68k 82k
 A156: 68k 68k

Schutzvermerk DIN34 beachten!
 The copying, distribution and utilization of this document as well as the communication of its contents to others without expressed authorization is prohibited. Offenders will be held liable for the payment of damages. All rights reserved in the event of the grant of a patent, utility model or ornamental design registration.

gezeichnet	Carsten Wegner
Datum	10.10.02
Umgang	CW
geprüft	15.05.05
GV	

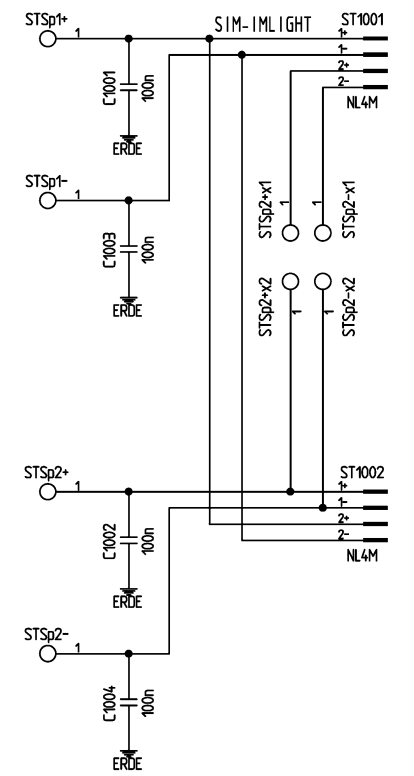
CAMCO
 Produktions- und Vertriebs-GmbH
 D-57482 Wenden-Gerlingen, Germany
 a1510511
 H-Brücke + Zusatz, ESB


Stand	20.04.05	RevB-2(T32.4)	Blatt	8/10
-------	----------	---------------	-------	------



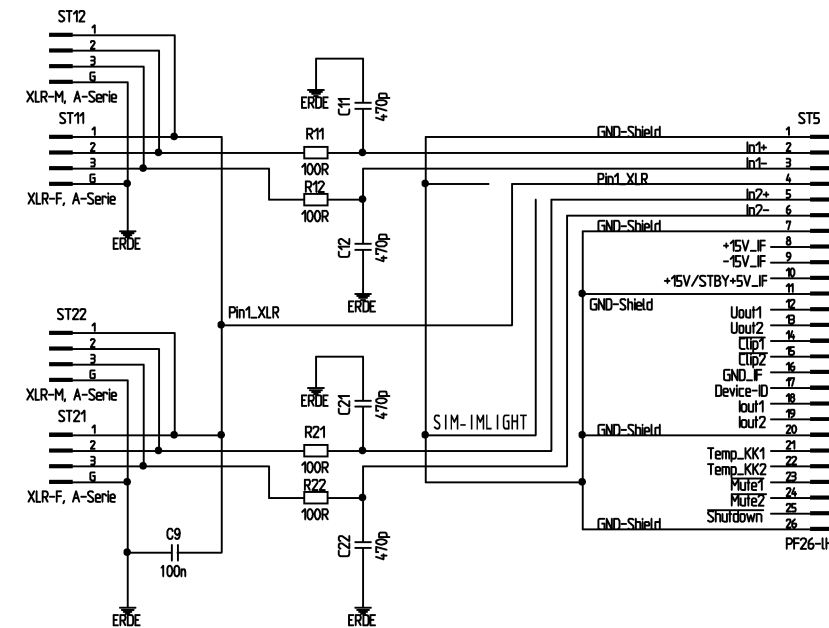
Schutzvermerk DIN34 beachten! The copying, distribution and utilization of this document as well as the communication of its contents to others without expressed authorization is prohibited. Offenders will be held liable for the payment of damages. All rights reserved in the event of the grant of a patent, utility model or ornamental design registration.		gezeichnet Carsten Wagner Datum 10.10.02 15.05.05 CW GV	CAMCO Produktions- und Vertriebs- GmbH D-57482 Wenden-Gerlingen, Germany a1510511 Haupt-NT sek., Hilfs-NT, Lüfter
Stand 20.04.05	RevB-2(T32.4)	Blatt 9/10	

SIM-IMMLIGHT



Schutzvermerk DIN34 beachten! The copying, distribution and utilization of this document as well as the communication of its contents to others without expressed authorization is prohibited. Offenders will be held liable for the payment of damages. All rights reserved in the event of the grant of a patent, utility model or ornamental design registration.	gezeichnet		
	Carsten Wegner	Produktions- und Vertriebs- GmbH	
	Datum	D-57482 Wenden-Gerlingen, Germany	
	10.10.02 CW		
		a1510511	
		Speakon	
		Stand	Blatt
		20.04.05	10/10
	bearbeitet	RevB-2(T32.4)	

SIM-IMMLIGHT



V1: Lochabstand Blechwinkel kleiner 30.06.03 GV

Schutzvermerk DIN34 beachten!
The copying, distribution and utilization of this document as well the communication of its contents to others without expressed authorization is prohibited. Offenders will be held liable for the payment of damages. All rights reserved in the event of the grant of a patent, utility model or ornamental design registration.

gezeichnet	Carsten Wegner
geprüft	CW
Stand	04.02.03

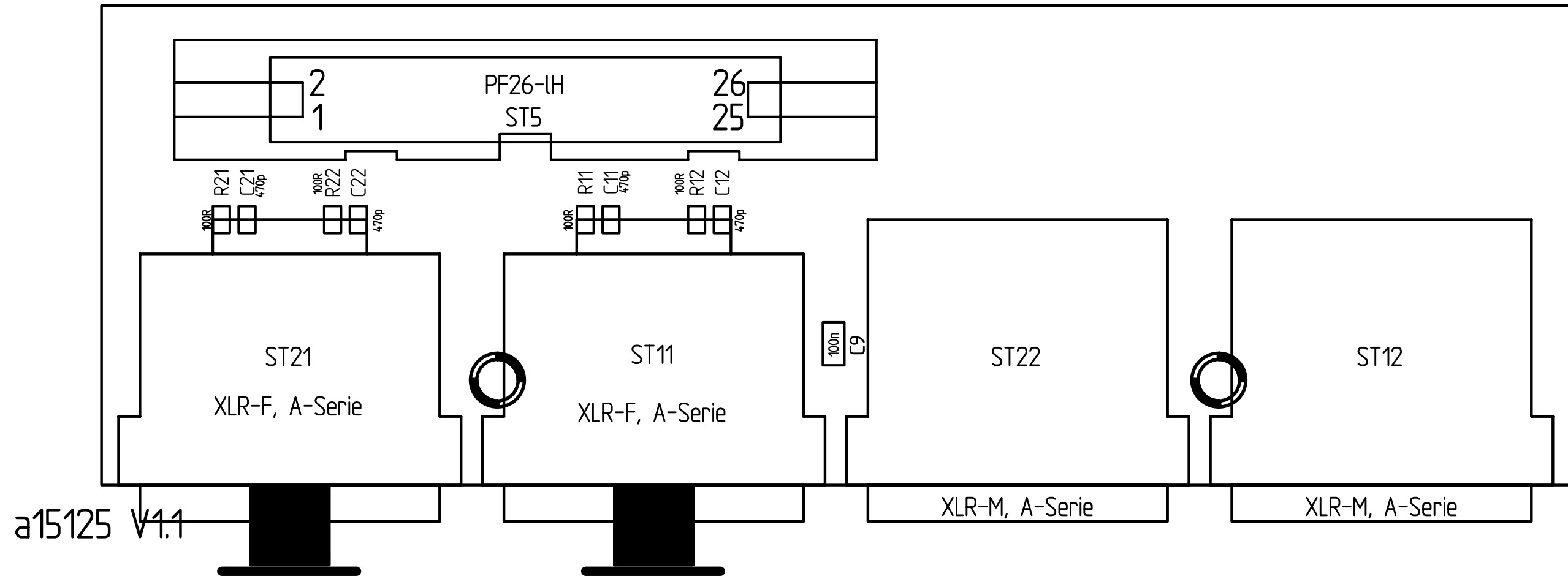
CAMCO
Produktions- und Vertriebs-GmbH
D-57482 Wenden-Gertingen, Germany

a1512511
XLR-Eingangsplatine

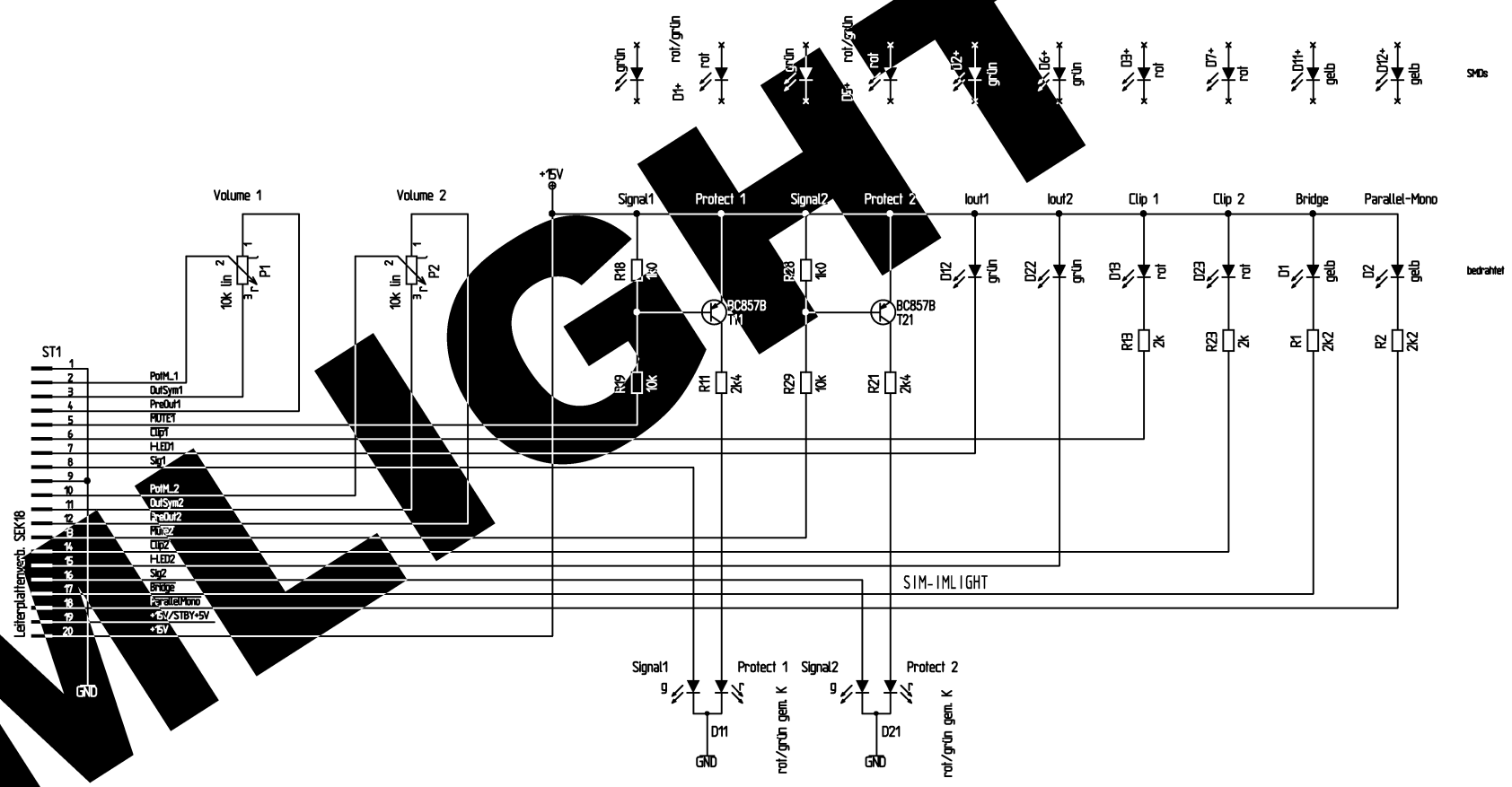
RevA Blatt 1/1

A15125 [RevA]

Born Free Inc. Taiwan

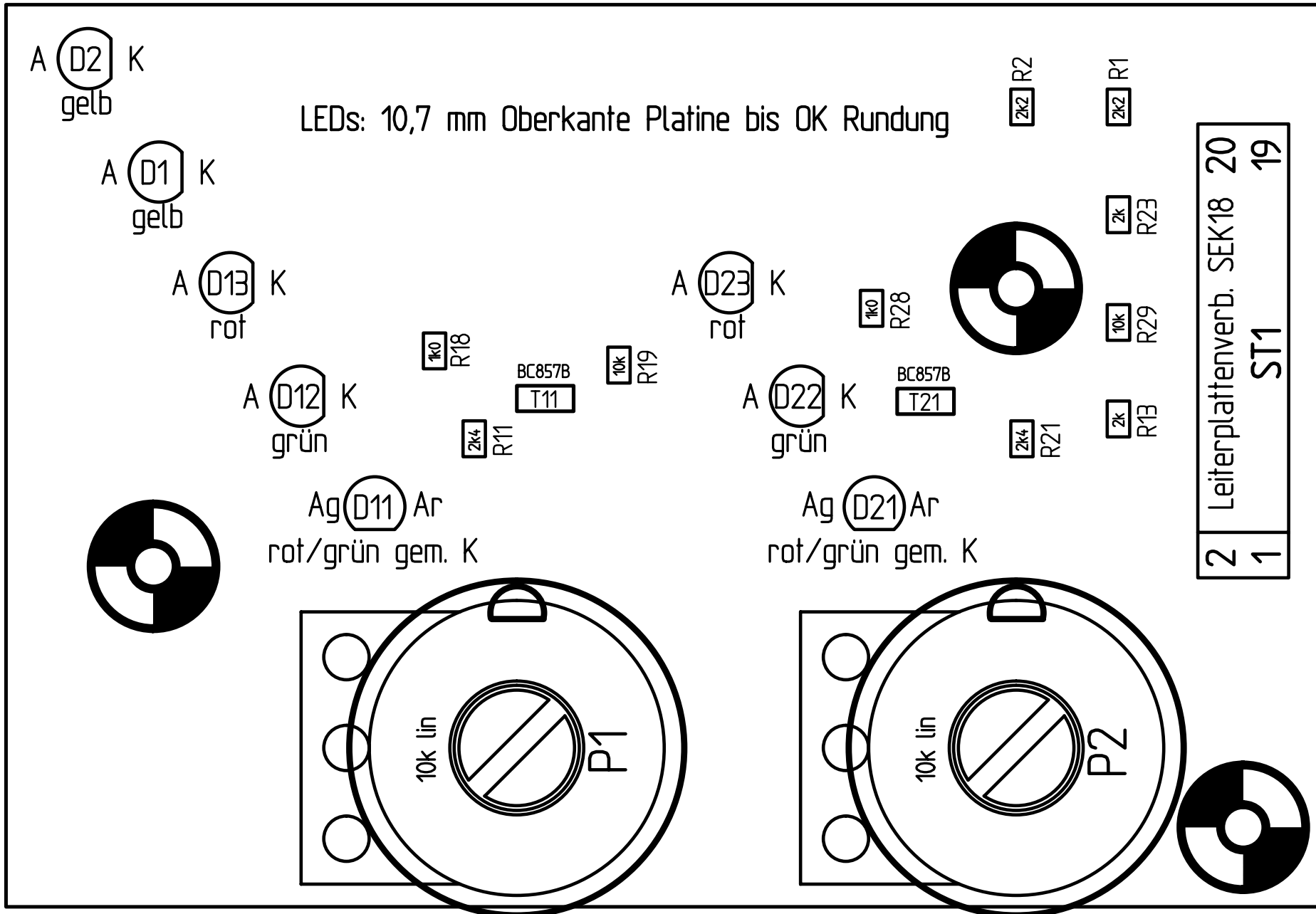


SIM-IML LIGHT

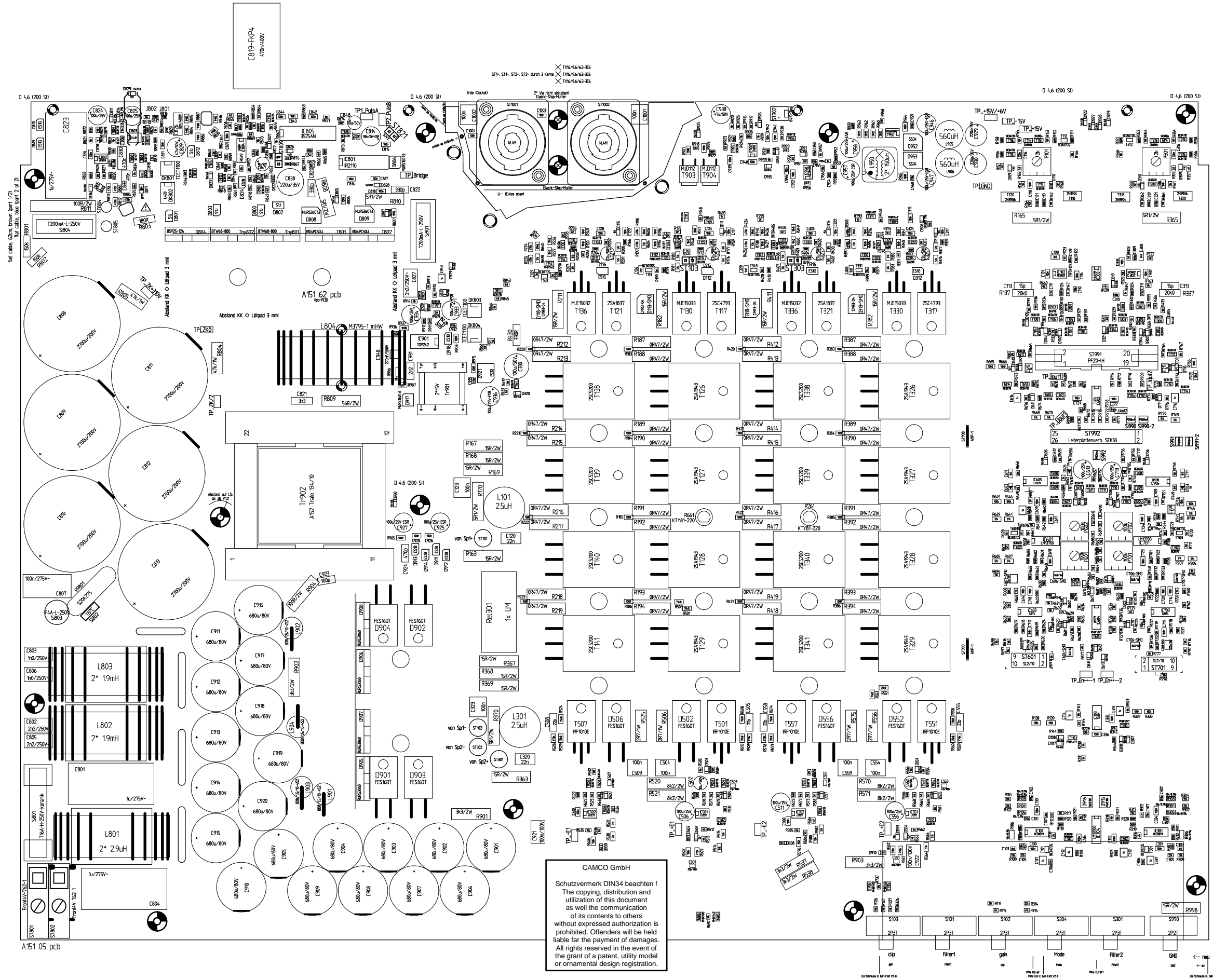


Schutzvermerk DIN84 beachten! The copying, distribution and utilization of this document as well as the communication of its contents to others without expressed authorization is prohibited. Offenders will be held liable for the payment of damages. All rights reserved in the event of the grant of a patent, utility model or ornamental design registration.	gezeichnet	CAMCO Produktions- und Vertriebs-GmbH D-57482 Wenden-Gertlingen, Germany	a1519011	
	Carsten Wegner		Display	
	14.10.02 CW		Rev A	
	28.08.03 GV		Stand 30.06.03	Blatt 1/1

A15130 [Rev A]



~~X~~
 Federleiste 20 pol
 Zugentlastung 20 pol
 Flachbandkabel 20 pol



1/775V-
100V/250V
51805

1/775V-
100V/250V
51805

1/775V-
100V/250V
51805

1/775V-
100V/250V
51805

1/775V-
100V/250V
51805

1/775V-
100V/250V
51805

1/775V-
100V/250V
51805

A151 05 pcb

C819-FR4
4700/400V

51*, 51*, 51*, 51* durch 3 Kerne
176/96/63-86
176/96/63-86
176/96/63-86

D 4,6 (200 S)

D 4,6 (200 S)

D 4,6 (200 S)

A151 62 pcb

A151 62 pcb

A151 62 pcb

A151 62 pcb

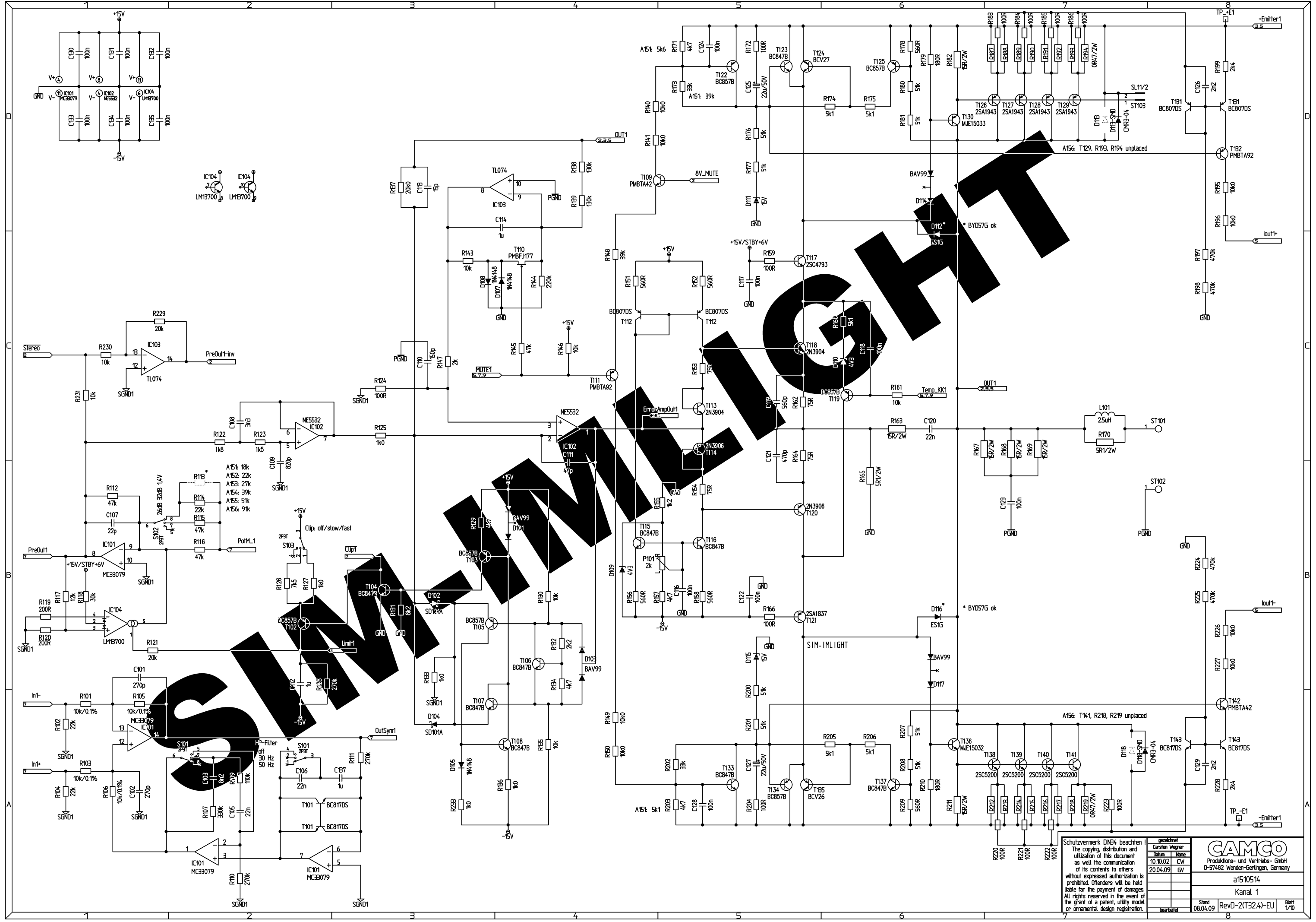
A151 62 pcb

A151 62 pcb

CAMCO GmbH
 Schutzvermerk DIN34 beachten !
 The copying, distribution and
 utilization of this document
 as well as the communication
 of its contents to others
 without expressed authorization is
 prohibited. Offenders will be held
 liable for the payment of damages.
 All rights reserved in the event of
 the grant of a patent, utility model
 or ornamental design registration.

Flächendichte: 26 pd
 Zuegtheit: 26 pd
 Kauterung: 26 pd

← 00-Bottom Set
 in Gen-CAD



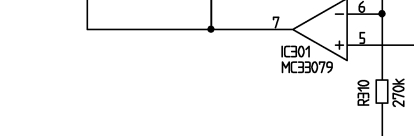
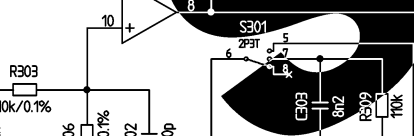
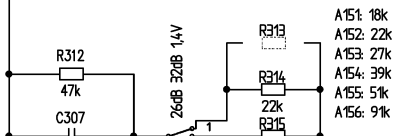
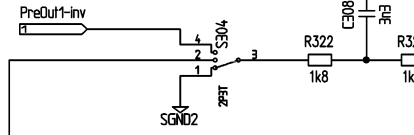
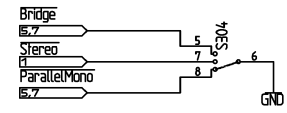
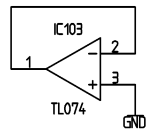
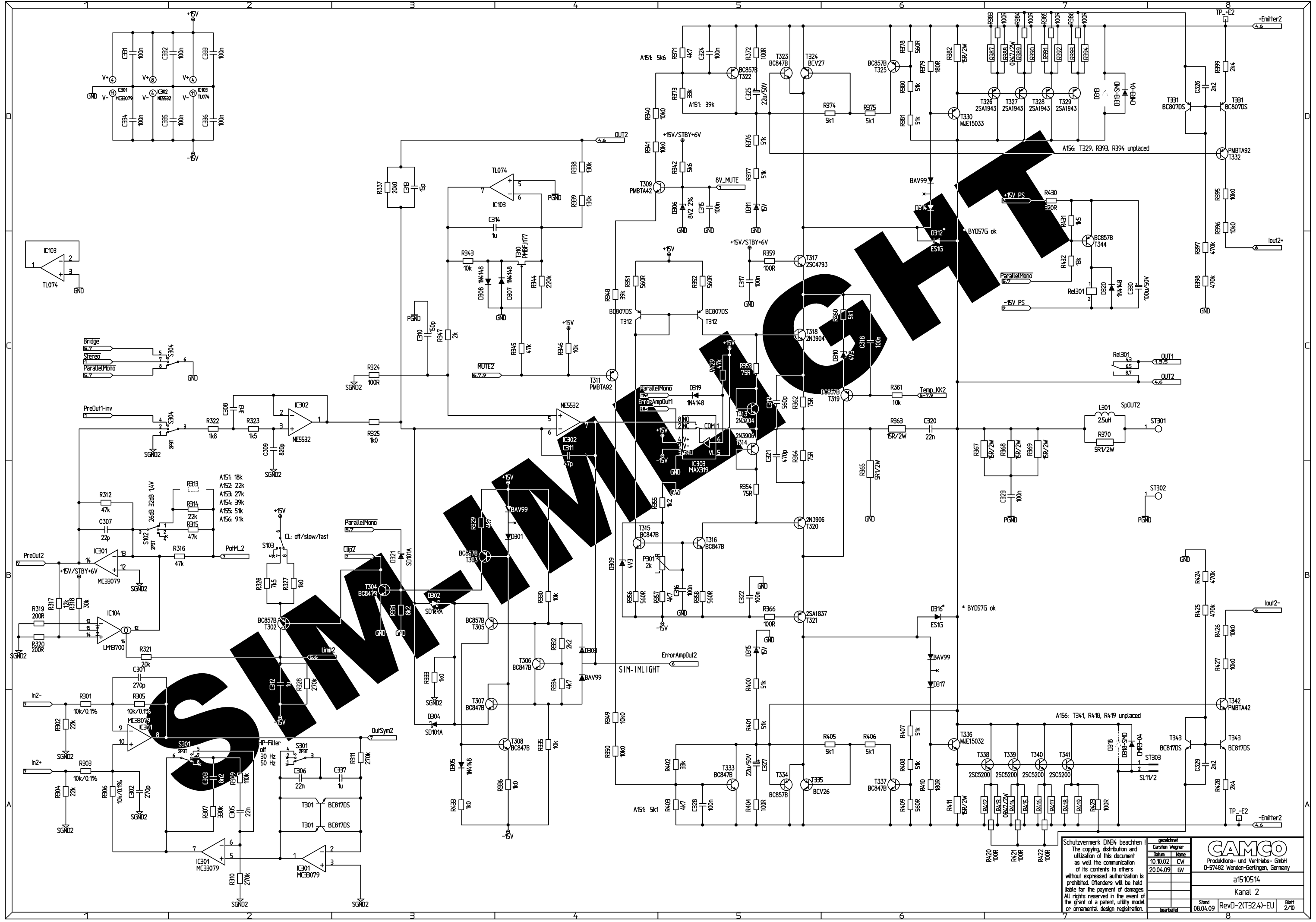
Schutzvermerk DIN84 beachten
 The copying, distribution and utilization of this document as well as the communication of its contents to others without expressed authorization is prohibited. Offenders will be held liable for the payment of damages. All rights reserved in the event of the grant of a patent, utility model or ornamental design registration.

gezeichnet	Carsten Wegner
Datum	10.10.02
Name	CW
geprüft	20.04.09
bearbeitet	GV

CAMCO
 Produktions- und Vertriebs-GmbH
 D-57482 Wenden-Gertrien, Germany

a1510514
 Kanal 1

Stand 08.04.09
 RevD-2(132.4)-EU
 Blatt 1/10



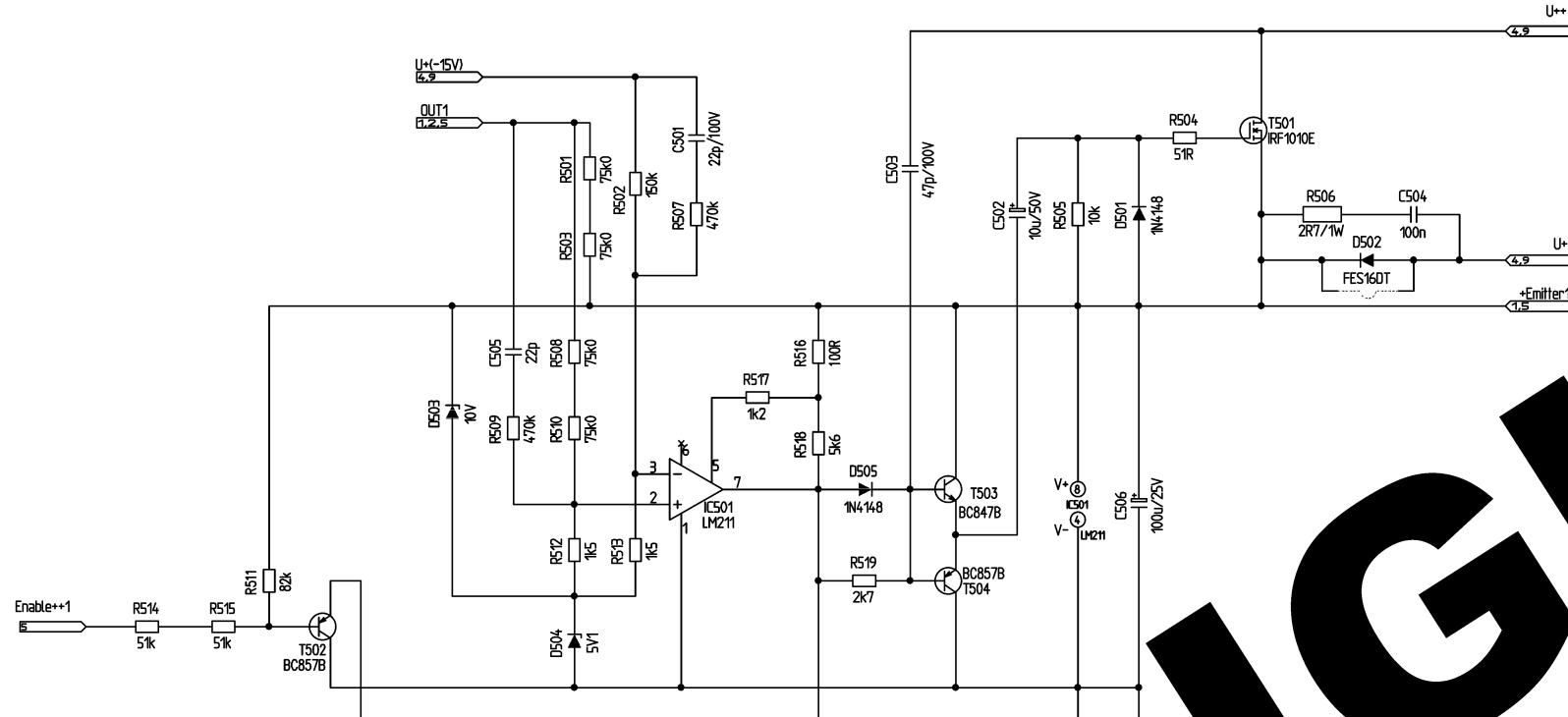
Schutzvermerk DIN84 beachten
The copying, distribution and utilization of this document as well as the communication of its contents to others without expressed authorization is prohibited. Offenders will be held liable for the payment of damages. All rights reserved in the event of the grant of a patent, utility model or ornamental design registration.

gezeichnet	Carsten Wegner
Datum	10.10.02
Name	CW
geprüft	20.04.09
GV	

CAMCO
Produktions- und Vertriebs-GmbH
D-57482 Wenden-Gerlingen, Germany

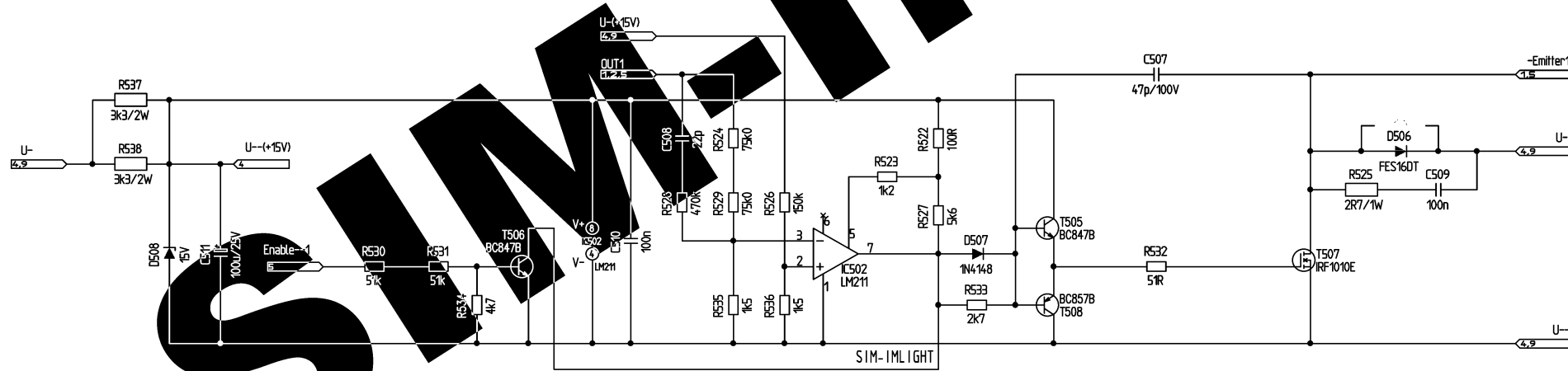
a1510514
Kanal 2

Stand 08.04.09
RevD-2(T32.4)-EU
Blatt 2/70



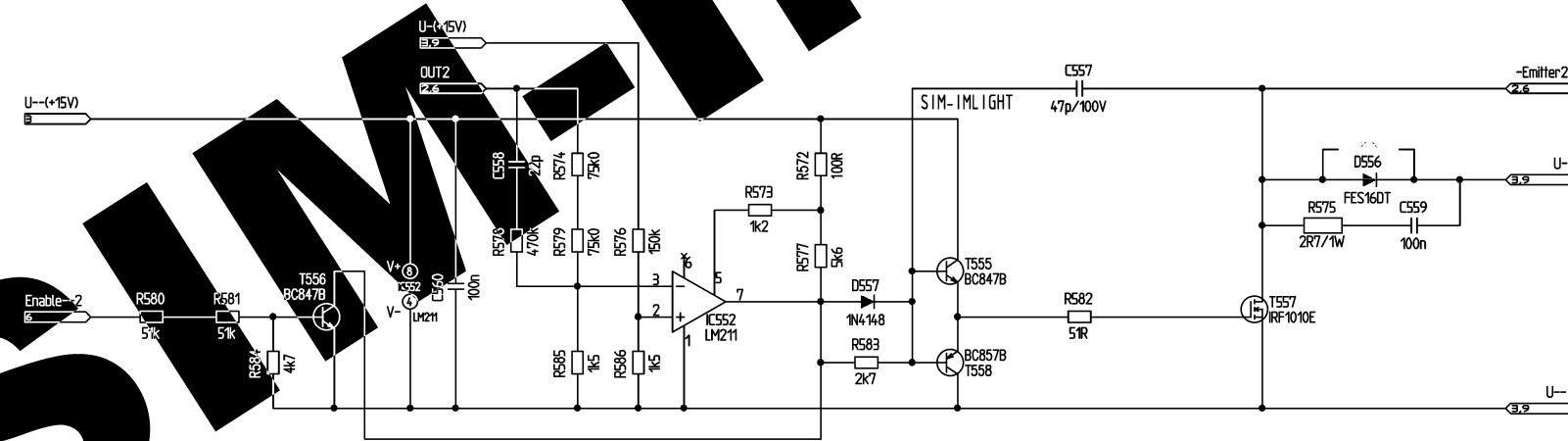
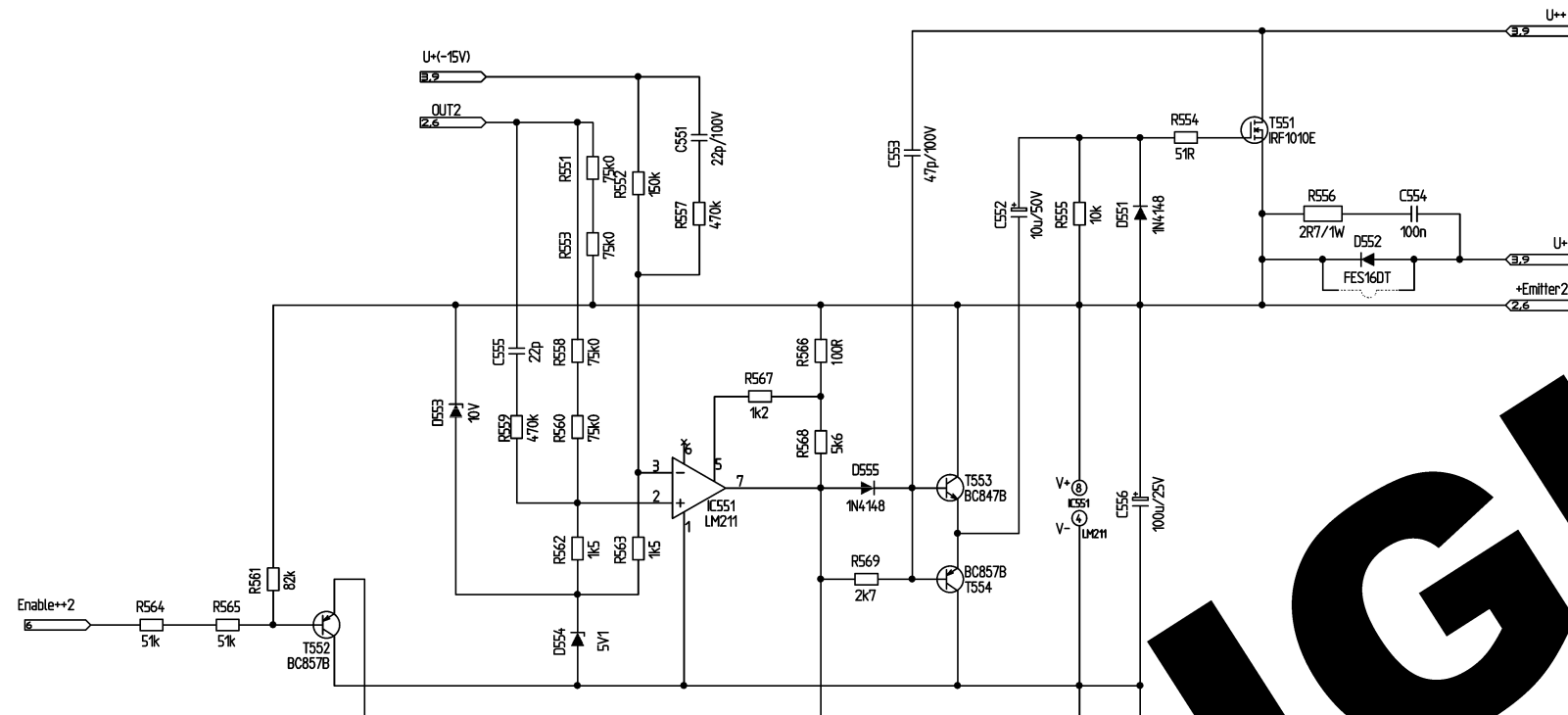
T501, T507:
 A151-EU, -US: STP120NF10 or HUF7554SP3
 A151-JP: STP120NF10
 A152-EU, -US: STP120NF10 or HUF7554SP3 or R1010E
 A152-JP: STP120NF10 or HUF7554SP3
 A153: STP120NF10 or HUF7554SP3 or R1010E
 A154: STP120NF10 or HUF7554SP3 or R1010E

A155, A156: all parts of this page unplaced, 2 short placed



SIM-IMMLIGHT

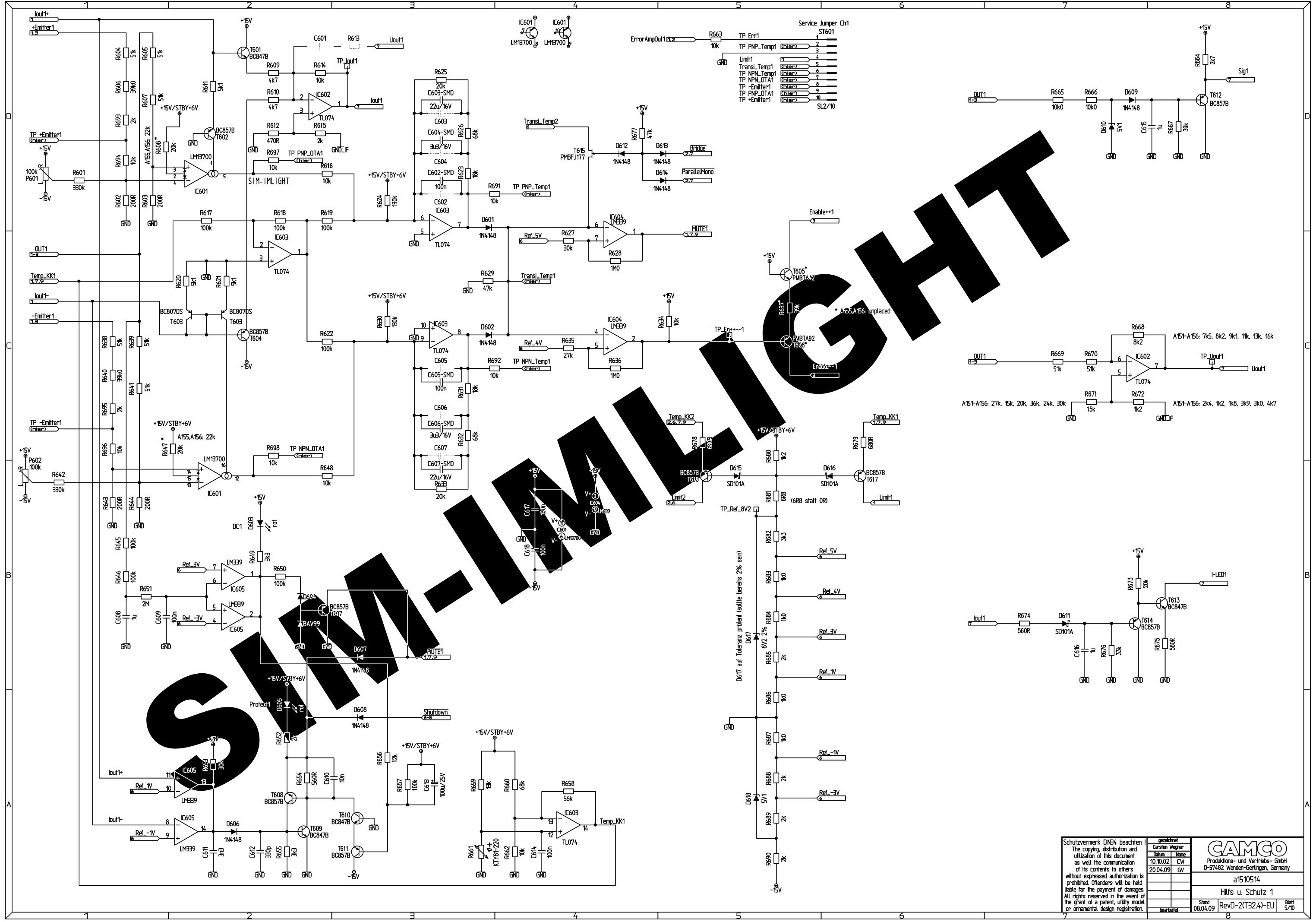
Schutzvermerk DIN94 beachten The copying, distribution and utilization of this document as well as the communication of its contents to others without expressed authorization is prohibited. Offenders will be held liable for the payment of damages. All rights reserved in the event of the grant of a patent, utility model or ornamental design registration.	gezeichnet	CAMCO	
	Carsten Wegner	Produktions- und Vertriebs- GmbH	
	Datum	10.10.02	Stand
	Name	20.04.09	RevD-2(T32.4)-EU
	GV	Stand	08.04.09
		Blatt	3/70



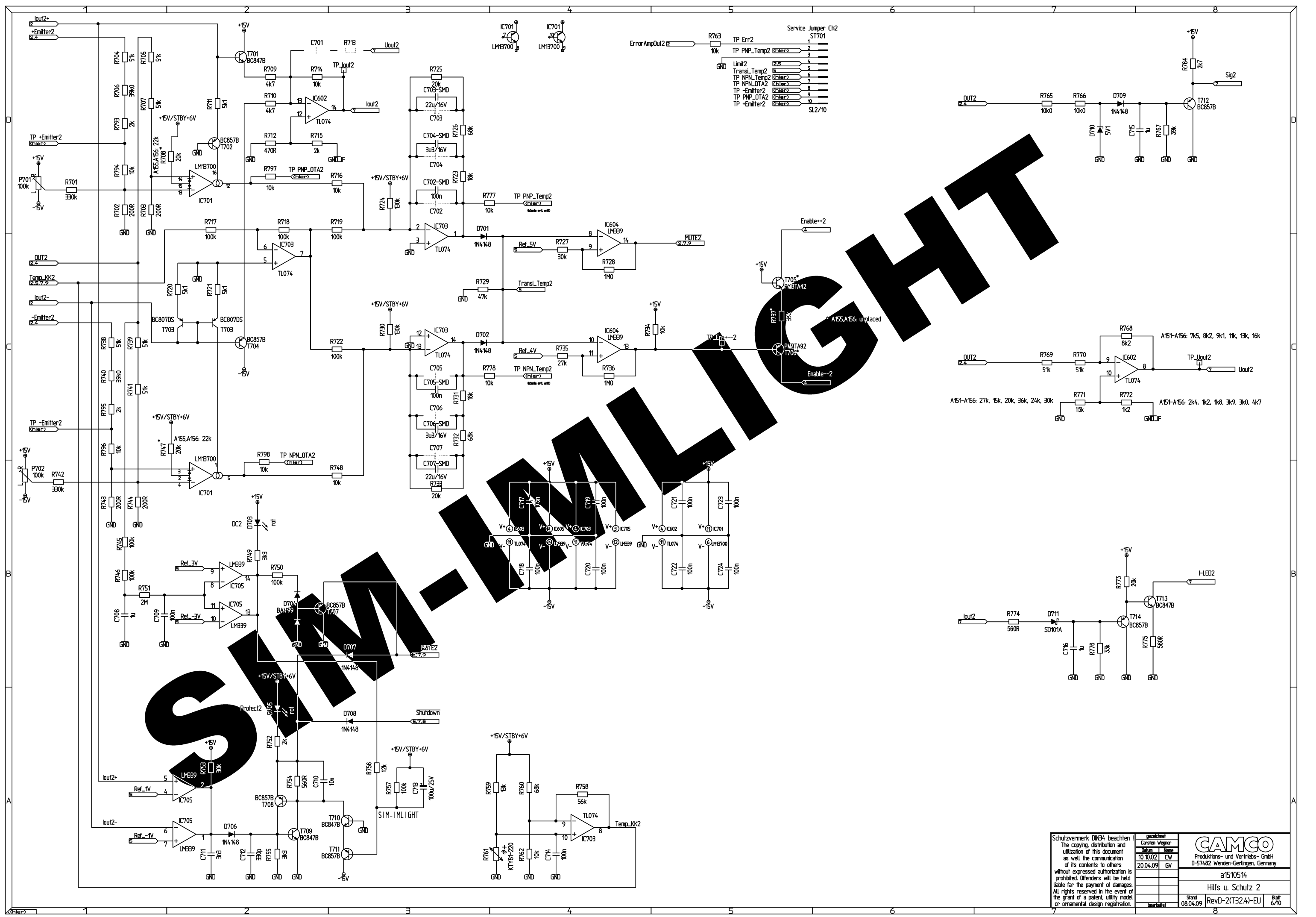
- T551, T557:
- A151-EU, -US: STP120NF10 or HUF7554SP3
 - A151-JP: STP120NF10
 - A152-EU, -US: STP120NF10 or HUF7554SP3 or R1010E
 - A152-JP: STP120NF10 or HUF7554SP3
 - A153: STP120NF10 or HUF7554SP3 or R1010E
 - A154: STP120NF10 or HUF7554SP3 or R1010E

A155, A156: all parts of this page unplaced, 2 short placed

Schutzvermerk DIN94 beachten The copying, distribution and utilization of this document as well as the communication of its contents to others without expressed authorization is prohibited. Offenders will be held liable for the payment of damages. All rights reserved in the event of the grant of a patent, utility model or ornamental design registration.	gezeichnet		
	Carsten Wegner	Datum	Name
	10.10.02	CW	
	20.04.09	GV	
	Stand	a1510514 EmitterBusse 2	
	08.04.09	RevD-2(T32.4)-EU	Blatt 4/70

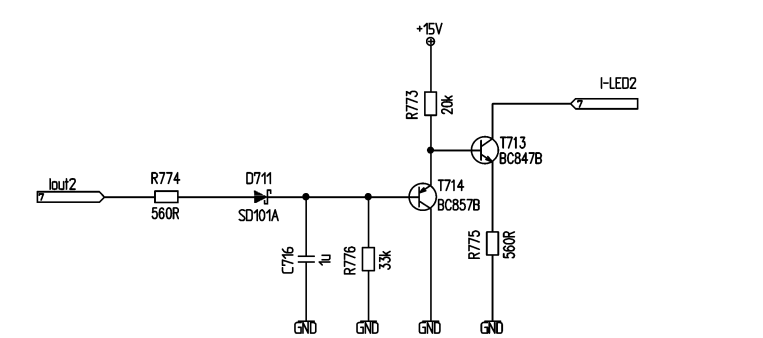
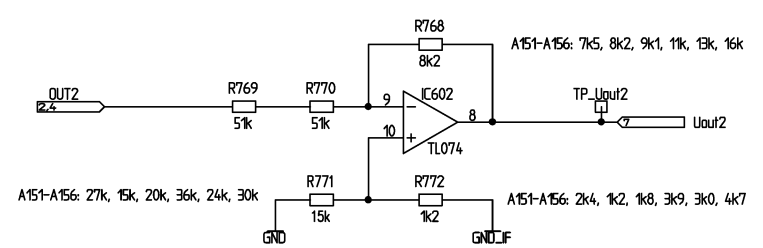
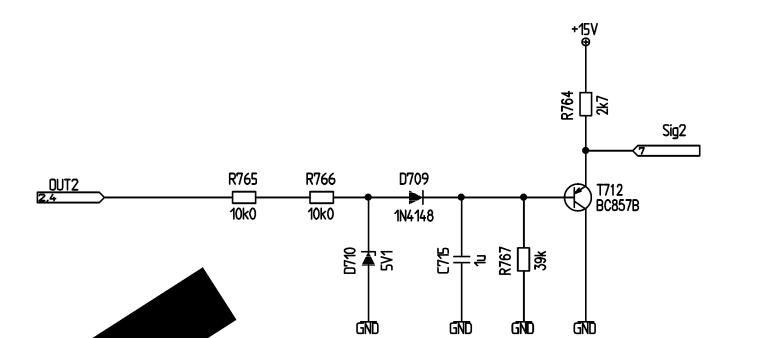


Schutzvermerk DNB4 beachten The copying, distribution and utilization of this document as well as the communication of its contents to others without expressed authorization is prohibited. Offenders will be held liable for the payment of damages. All rights reserved in the event of the grant of a patent, utility model or ornamental design registration.	gezeichnet Carsten Wegner	CAMCO Produktions- und Vertriebs-GmbH D-57482 Wenden-Gerlingen, Germany a1510514 Hilfs u. Schutz 1
	Datum 10.10.02 CW	
	bearbeitet 20.04.09 GV	
	Stand 08.04.09	
	Blatt RevD-2(T32.4)-EU 5/0	

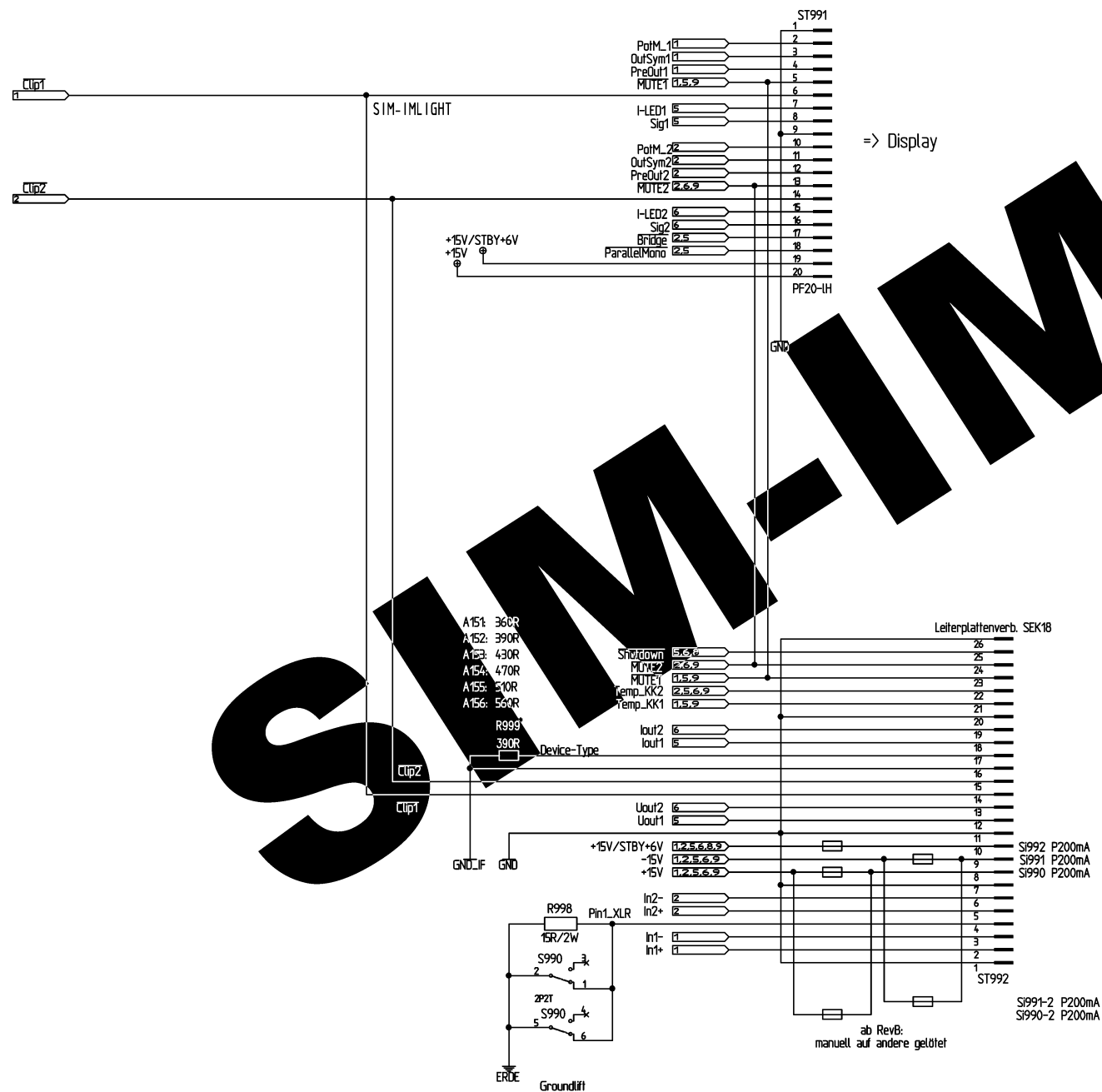
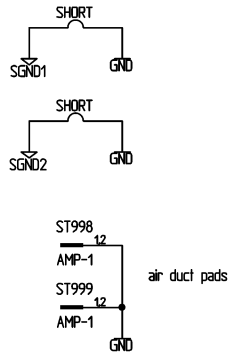


Service Jumper Ch2

1	ST701
2	TP Err2
3	TP PNP_Temp2 (Euler)
4	
5	Limit2
6	Transl_Temp2
7	TP NPN_Temp2 (Euler)
8	TP NPN_OTA2 (Euler)
9	TP PNP_OTA2 (Euler)
10	TP +Emitter2 (Euler)
SL2/10	

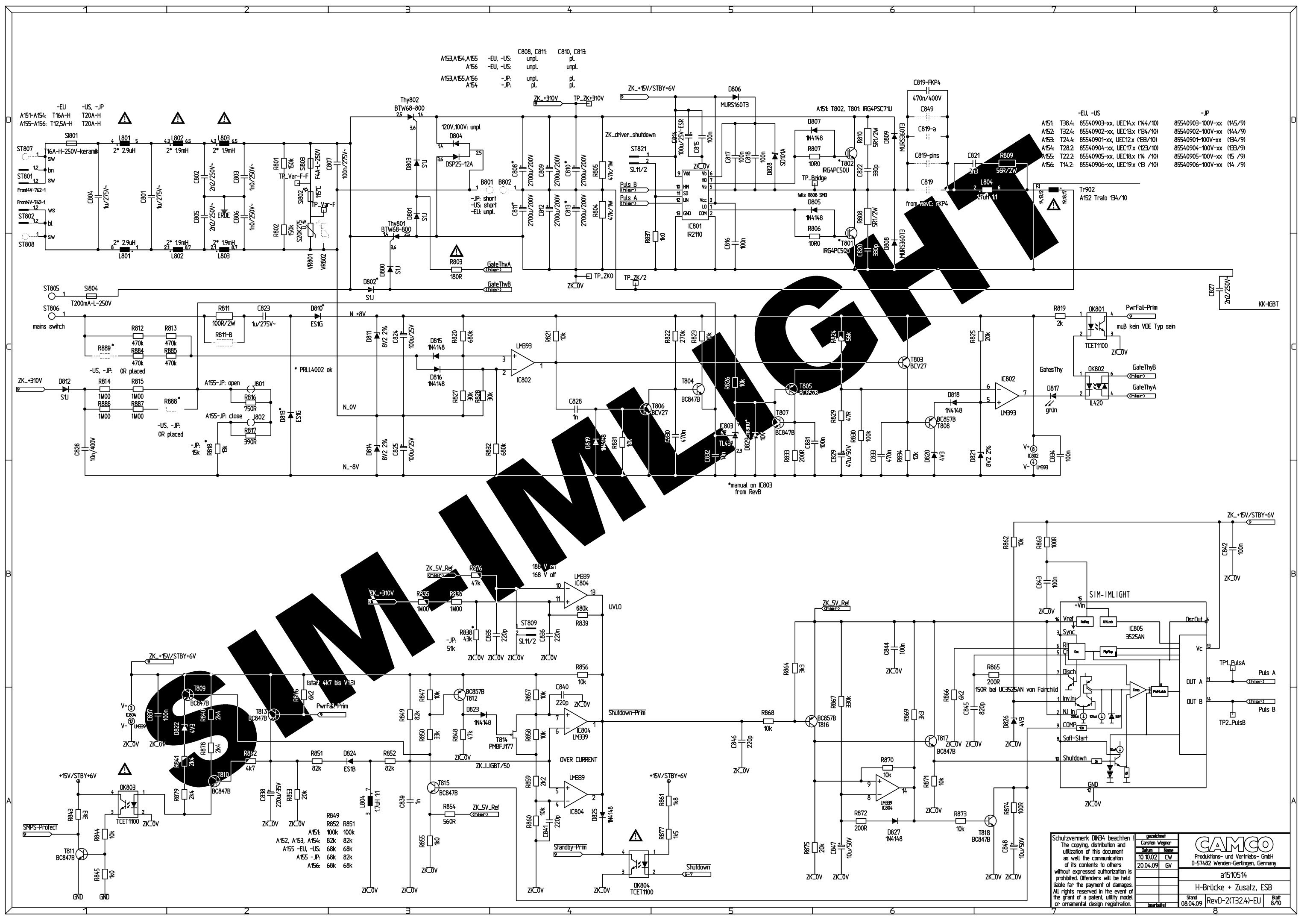


Schutzvermerk DIN34 beachten The copying, distribution and utilization of this document as well as the communication of its contents to others without expressed authorization is prohibited. Offenders will be held liable for the payment of damages. All rights reserved in the event of the grant of a patent, utility model or ornamental design registration.	gezeichnet Carsten Wegner	CAMCO Produktions- und Vertriebs-GmbH D-57482 Wenden-Gerlins, Germany a1510514 Hilfs u. Schutz 2
	Datum 20.04.09	
bearbeitet GV	RevD-2(T32.4)-EU	Blatt 6/70



SIM-IMMLIGHT

Schutzvermerk DIN84 beachten! The copying, distribution and utilization of this document as well as the communication of its contents to others without expressed authorization is prohibited. Offenders will be held liable for the payment of damages. All rights reserved in the event of the grant of a patent, utility model or ornamental design registration.	gezeichnet	CAMCO		
	Carsten Wegner	Produktions- und Vertriebs- GmbH		
	Datum	Name	D-57482 Wenden-Gerlingen, Germany	
	20.04.09	GV	a1510514	
		DisplayCon / EUJ		
Stand	RevD-2(T32.4)-EU	Blatt	7/70	
08.04.09		bearbeitet	8	

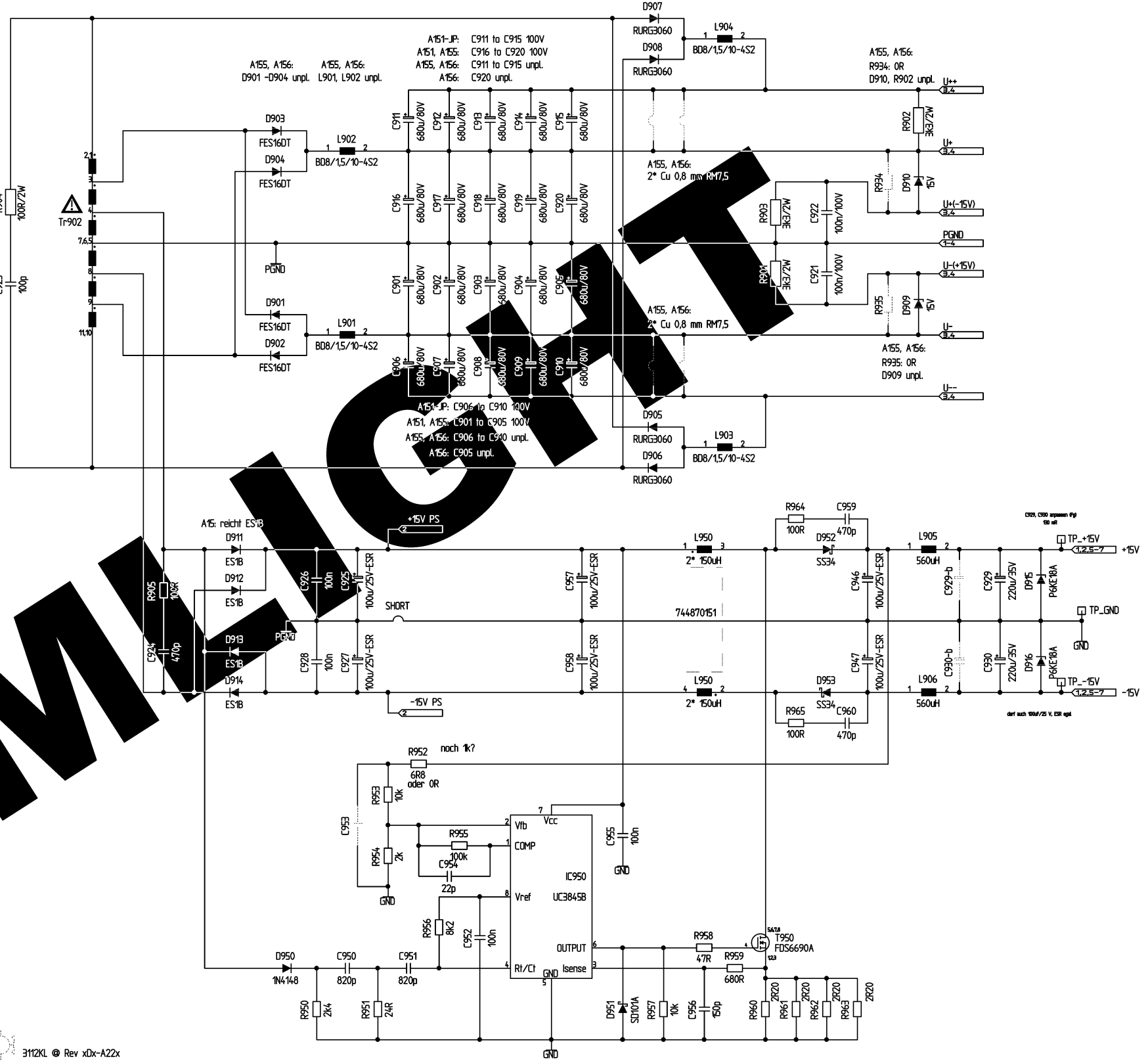
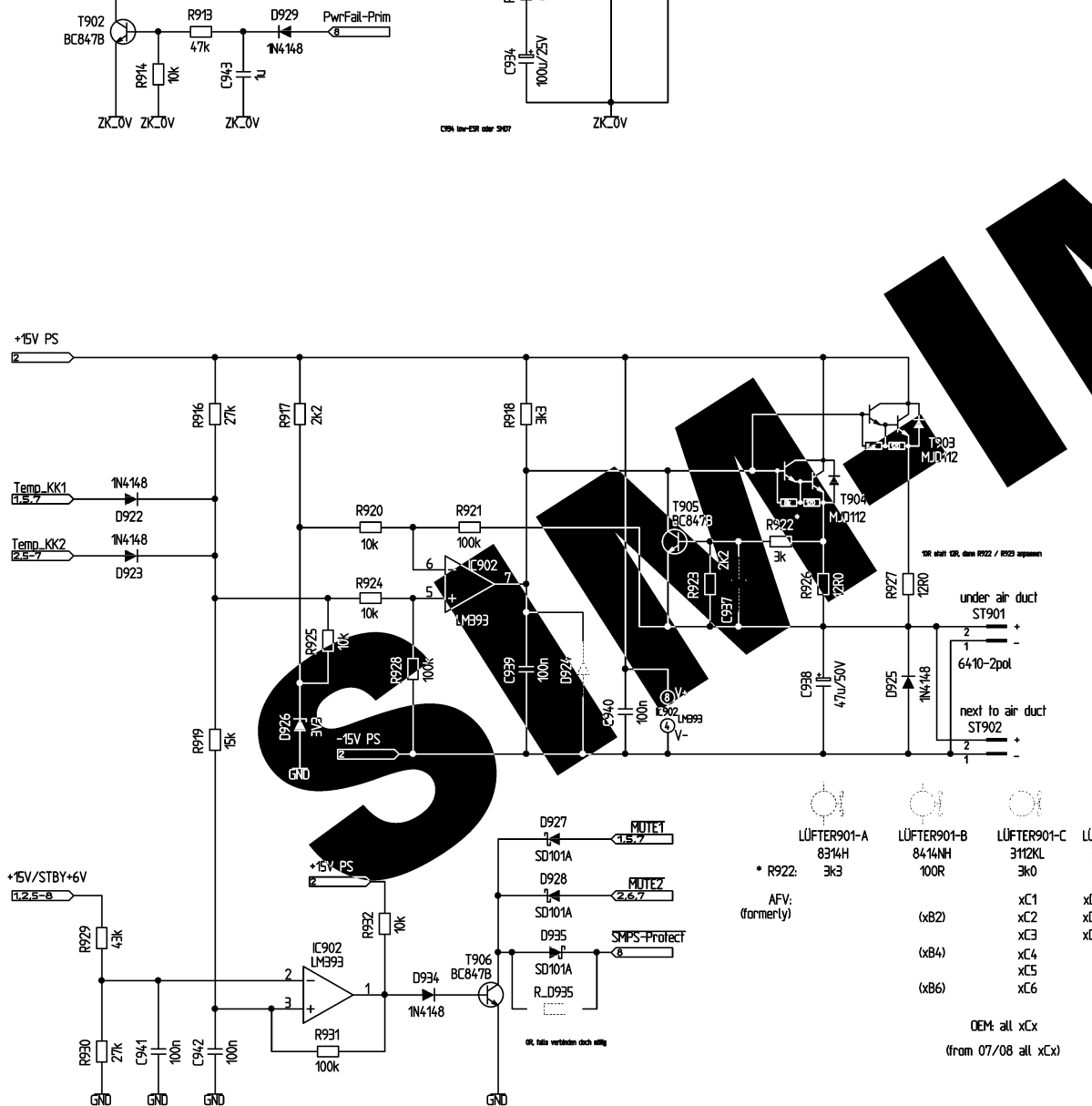
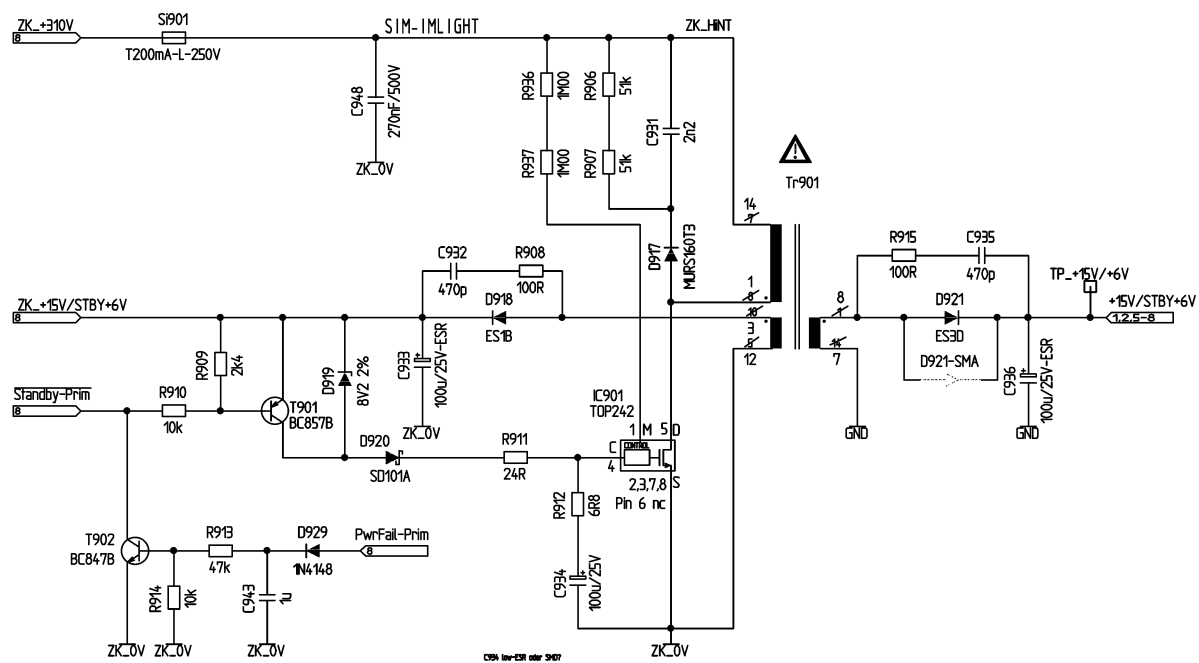


A153, A154, A155 -EU, -US: unpl.
 A156 -EU, -US: unpl.
 A153, A155, A156 -JP: unpl.
 A154 -JP: unpl.

-EU, -US
 A151: T38.4: 85540903-xx, UEC14.x (144/10)
 A152: T32.4: 85540902-xx, UEC13.x (134/10)
 A153: T24.4: 85540901-xx, UEC12.x (123/10)
 A154: T28.2: 85540904-xx, UEC17.x (123/10)
 A155: T22.2: 85540905-xx, UEC18.x (14 /10)
 A156: T14.2: 85540906-xx, UEC19.x (13 /10)

CAMCO Produktions- und Vertriebs-GmbH D-57482 Wenden-Gertlingen, Germany	
a1510514 H-Brücke + Zusatz, ESB	Stand 08.04.09 RevD-2(T32.4)-EU Blatt 8/70

Schutzvermerk DIN84 beachten
 The copying, distribution and utilization of this document as well as the communication of its contents to others without expressed authorization is prohibited. Offenders will be held liable for the payment of damages. All rights reserved in the event of the grant of a patent, utility model or ornamental design registration.



3112KL @ Rev xDx-A22x	LÜFTER902
80x32	
LÜFTER901-A	8314H 3x3
LÜFTER901-B	8414NH 100R
LÜFTER901-C	3112KL 3x0
LÜFTER901-D	3112KL 10k
* R922:	
AFV:	
(formerly)	
(x)B2)	x)C1
(x)B4)	x)C2
(x)B6)	x)C3
	x)C4
	x)C5
	x)C6

DEM: all xCx
(from 07/08 all xCx)

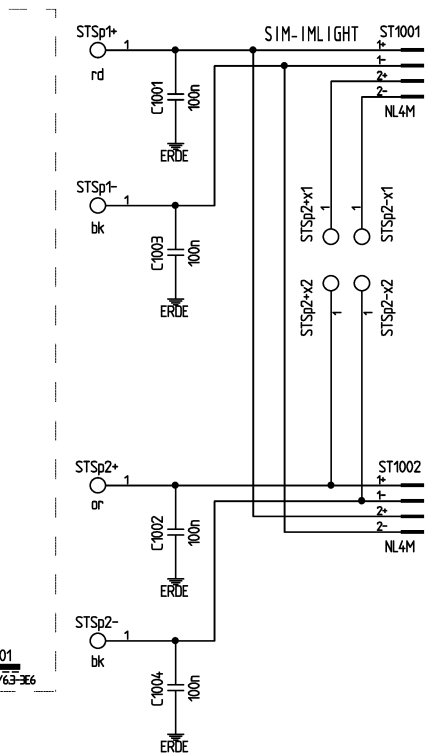
Schutzvermerk DIN94 beachten The copying, distribution and utilization of this document as well as the communication of its contents to others without expressed authorization is prohibited. Offenders will be held liable for the payment of damages. All rights reserved in the event of the grant of a patent, utility model or ornamental design registration.	gezeichnet Carsten Wegner	 Produktions- und Vertriebs-GmbH D-57482 Wenden-Gerlingen, Germany a1510514 Haupt-NT sek., Hilfs-NT, Lüfter Stand 08.04.09 RevD-2(T32.4)-EU Blatt 9/70
	Datum 20.04.09	
bearbeitet GV		

SIM-IMMLIGHT

L1003
TX16/96/63-3E6

L1002
TX16/96/63-3E6

L1001
TX16/96/63-3E6



Schutzvermerk DIN94 beachten! The copying, distribution and utilization of this document as well as the communication of its contents to others without expressed authorization is prohibited. Offenders will be held liable for the payment of damages. All rights reserved in the event of the grant of a patent, utility model or ornamental design registration.	gezeichnet			
	Carsten Wegner	Produktions- und Vertriebs- GmbH		
	Datum	Name	D-57482 Wenden-Gerlingen, Germany	
	20.04.09	CW	a1510514	
	GV	Speakon		
Stand	RevD-2(T32.4)-EU	Blatt	10/70	
08.04.09		8		

D-POWER-2 = Tecton-24.4
D-POWER-3 = Tecton-32.4
D-POWER-4 = Tecton-38.4
D-POWER-7 = Vortex-6