



C125

C125K

PARTS CATALOGUE

1

FOREWORD INDEX

1

ENGINE GROUP

2

FRAME GROUP

3

PART NUMBER INDEX

4

PART NAME INDEX

5

Instruction for use of parts catalogue

- **This parts catalogue has been created as of December 20, 2018.**
 - Since this date, the sales practice for repair parts may have been changed or the parts may have been eliminated (listed for those not for sale).
 - The modified information is reflected on the latest Electronic Parts Catalogue (EPC).
Also, refer to the parts catalogue news for any change.
 - See the parts catalogue news for any revision that is made after December 20, 2018.
- **Always specify the part number when ordering a part.**
 - Check the model, type, serial numbers, color, maker, and the size as needed before ordering a part.
 - Note that the illustrations (part drawings) can differ from the actual parts in shape.
They are given just to help you to refer to the parts.
- **When modifications or additions to this parts catalogue are made, a revised edition will be issued at an appropriate time, with successively progressing revision numbers on the cover. We recommend obtaining such revisions in order to keep your parts catalogue up-to-date at all times. To check whether a parts catalogue revision has been issued, please contact your Honda distributor.**

Initial version issue date
December 20, 2018
Honda Motor Co., Ltd.

CONTENTS

	Page
● Instruction for use of parts catalogue	1
● How to refer to the part information	2
● Part catalogue structure	3
● When the parts were revised	5
● Abbreviations used in the parts catalogue	5
● Part block and serial number check	6
● Models, parts catalogue codes and applicable serial numbers	7
● Color chart	8
● Fuel hose, general purpose hoses and vinyl hose	10
● FLAT RATE SERVICE TIME	14
● Illustrated index	19
● ENGINE GROUP	25
● FRAME GROUP	46
● PART NO. INDEX	84
● PART NAME INDEX	87

How to refer to the part information

A Reference with "Illustrated index"

ENGINE GROUP		
E-1 CLAMPER HEAT COVER	E-2 CYLINDER HEAD	E-3 CRANKSHAFT
F-4 VALVE OVERHAUL KIT	F-5 VALVE LIFT	F-6 WATER PUMP

B Reference with "Part number index"

PART NO. INDEX			
Part Number	Page	Part Number	Page
04000		13323-NV9-751	28 10
04011-MCE-000	26 1	13324-NV9-751	28 10
		13325-NV9-751	28 10
		13327-NV9-751	28 10
06000		14000	
06405-MY5-P00	67 3	14100-MCE-000	13 2
06405-MY5-P10	67 3	14200-MCE-000	13 3
06410-MY9-840	56 1	14321-MCE-000	16 2
06435-MCE-000	55 1	14321-MCE-000	16 2
06451-164-405	51 2	14401-MCE-005	16 3
06451-164-405	55 2	14510-MCE-000	16 4
06451-M47-405	51 1	14520-MY9-691	16 5
06455-MCE-000	51 3	14526-MY9-690	16 6
		14546-MCE-000	16 7
11000		14620-MY9-691	16 8
11210-MCE-000	25 1	14711-MCE-000	13 4
11330-MCE-305	18 1	14712-MCE-000	13 5
11333-MY3-000	22 1	14721-MCE-000	13 6
11335-MCE-000	18 2	14722-MCE-000	13 7
11340-MCE-000	20 1	14730-MCE-000	13 8
11365-MCE-000	23 2	14731-MCE-000	13 9
11366-MY9-000	18 3	14731-MY9-751	13 10
11631-MCE-000	21 1	14751-MY2-000	13 11
11691-MY9-000	21 2	14751-MCE-000	13 12
		14761-MCE-000	13 13

C Reference with "Part name index"

PART NAME INDEX			
Part name	Page	Part name	Page
[A]			
ADJUSTER, CHAIN	67	BOLT, CHANGE	5
ARM COMP., GEAR CHANGE	64	BOLT, CLUTCH	3
ARM, L. MAIN STEP	65	BOLT, CONNCT	5
ARM, L. PILLION STEP	65	BOLT, DISK	2
ARM, R. MAIN STEP	65	BOLT, BRAKE F	5
ARM, R. PILLION STEP	65	BOLT, FLANGE	5
AUTO COOL ASSY., FUEL	58	BOLT, FLANGE	11
AXLE, FR. WHEEL	42	BOLT, FLANGE	2
AXLE, RR. WHEEL	36	BOLT, FLANGE	3
[B]			
BAG, AIR PRESSURE GAUGE	77	BOLT, FLANGE	4
BAG, SERVICE HOOD	77	BOLT, FLANGE	1
BAG, TOOL	77	BOLT, FLANGE	1
BALL, STEEL	65	BOLT, FLANGE	20
BAND A, INSULATOR	11	BOLT, FLANGE	11
BAND B, INSULATOR	11	BOLT, FLANGE	12
BAND, AIR CLEANER CONNECTING TUBE	62	BOLT, FLANGE	22
BAND, U-LOCK	70	BOLT, FLANGE	3
BAND, WIRE	26	BOLT, FLANGE	14
	43	BOLT, FLANGE	21
	74	BOLT, FLANGE	14

F-7 FRONT FENDER

Rel. No.	Part No.	Description	Reqd. QTY	Serial No.	Parts catalogue code
1	45156-NCE-000	CLAMPER, R. FR. BRAKE ROSE	1	1	
2	45157-NCE-000	CLAMPER, L. FR. BRAKE ROSE	1	1	
3	61100-NCE-0001A	FENDER CORP., FR. ANTI-THRUST FORCE SILVER METALLIC	1	-----	5J,4J
	61100-NCE-0001B	***PB284C*** CANDY PHOENIX BLUE	1	-----	J,2J
4	61101-NCE-000	PLATE, FR. FENDER	2	-----	1008000
5	61102-NCE-300	CUSHION, FR. FENDER (BLACK)	2	1008001	
6	61105-NCE-000	STAY, FR. FENDER MOUNTING	2	2	
7	61107-NR7-000	DOLLAR (6.5)	4	4	
8	95001-04020-00	BOLT, FLANGE, 6X20	4	4	

2008.09.01 E

Part catalogue structure

F-7		FRONT FENDER		Service item		F.R.T.	
		FENDER COMP., FR. 0.3					
Ref. No.	Part No.	Description	Reqd. QTY CB400 SFX SFY	Serial No.	Parts catalogue code		
1	45156-MCE-000	CLAMPER, R. FR. BRAKE HOSE ..	1 1				
2	45157-MCE-000	CLAMPER, L. FR. BRAKE HOSE ..	1 1				
3	61100-MCE-000ZA	FENDER COMP., FR. *NH411M*FORCE SILVER METALLIC	1 -	-----	3J,4J		
	61100-MCE-000ZB	*PB284C*...CANDY PHOENIX BLUE	- 1	-----	J,2J		
4	61101-MCE-000	PLATE, FR. FENDER	2 2	1008000			
	61101-MCE-010	2 2	1008001			
5	61102-MCE-300	CUSHION, FR. FENDER	2 2				
		(BLACK)					

① Block title ② Block number

③ Service item/Flat rate time

④ Reference number

- Title number marked with the parenthesis or parentheses indicates that it continues from the previous page.

⑤ Part number ⑥ Honda color code

⑦ Description

⑧ Assemblies

- Sections framed with broken lines in the exploded view drawings are available as complete assemblies. (Their individual parts can also be obtained.)

⑨ Color description

⑩ Note

- Notes are shown with the parentheses in the part name column.

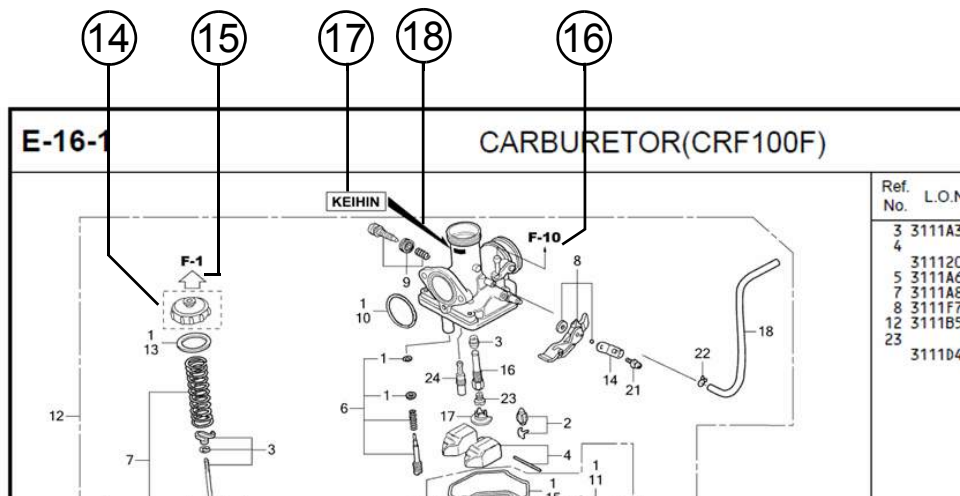
⑪ Required quantity

- Reqd. QTY shown in the parenthesis or parentheses indicates the optional part.
- Reqd. QTY marked with "N" indicates the optional part that should be selected as needed.
- Reqd. QTY indicates the number of the part used in the block.

⑫ Serial number

⑬ Parts catalogue code

- When the parts catalogue code column is blank, it indicates that the part is applicable to all codes.



⑭
 • Parts enclosed within a dotted line are covered in a different block.

⑮
 • A hollow arrow indicates the block No. for the parts enclosed within a dotted line .

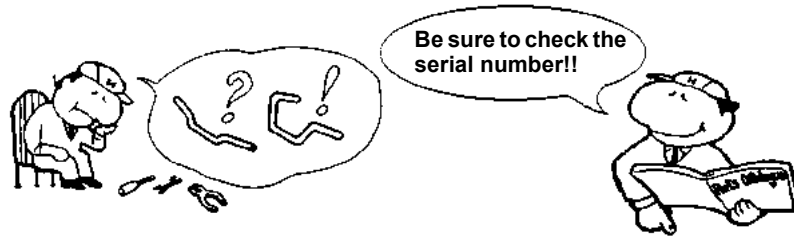
⑯
 • A solid arrow indicates the block No. the part in question is connected to.

⑰ **Replacement Identification Information for Designated Part No.**

⑱ **Location of Replacement Identification Information for Designated Part No.**

- If an arrow mark is indicated in 18, the part is incompatible with a different part No.
- Make sure to order the part of the same manufacture, including the component part.
- To make an order, indicate the part No., which includes the symbol displayed on the applicable section of the part to be replaced.

When the parts were revised



Ref. No.	Part No.	Description	Reqd. QTY		Serial No.
			CB400 %FX	SFY	
1	45156-MCE-000	CLAMPER, R. FR. BRAKE HOSE ..	1	1	
2	45157-MCE-000	CLAMPER, L. FR. BRAKE HOSE ..	1	1	
3	61100-MCE-000ZA	FENDER COMP., FR. *NH411M*FORCE SILVER METALLIC	1	-	3J,4J
	61100-MCE-000ZB	*PB284C*...CANDY PHOENIX BLUE	1	-	J,2J
4	61101-MCE-000	PLATE, FR. FENDER (###)	2	2	1008000
	61101-MCE-010	2	2	1008001
5	61102-MCE-300	CUSHION, FR. FENDER (BLACK)	2	2	
6	61105-MCE-000	STAY, FR. FENDER MOUNTING ...	2	2	
7	61107-MR7-000	COLLAR (6,5)	4	4	
8	96001-06020-00	BOLT, FLANGE, 6X20	4	4	

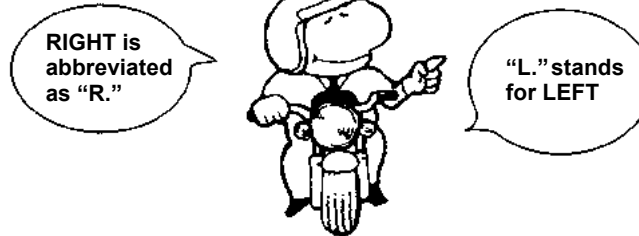
The number has been used from the initial model without revision.

When shown at the left side, it is applicable to the models of No.1008001 and the subsequent numbers.

When shown at the right side, it is applicable to the models up to No.1008000.

The parts listed with "###" at the end of the parts name have limited supply period (parts not for sale).

Abbreviations used in the parts catalogue



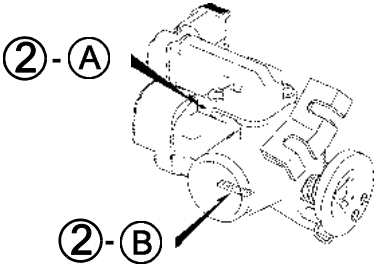
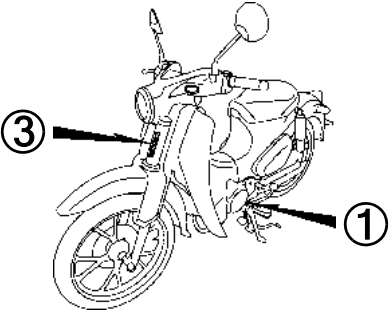
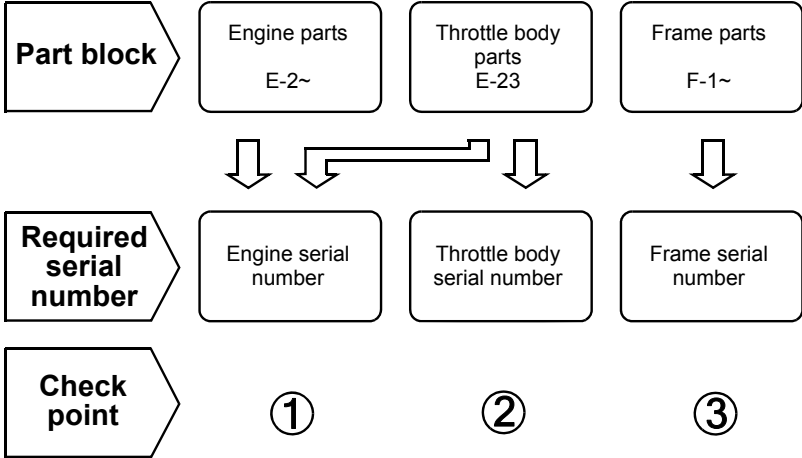
* "L." or "R." in the description of a part stands for the LEFT hand side or the RIGHT hand side. Determine the left or right as if you were in the motorcycle seat.

The following abbreviations are used in this parts catalogue.

A Ampere	LLeft
ABS Anti-lock brake system	L (100L) .Link (100 Links)
A.C. Alternating current	L.E.D.Light emitted diode
A.M. Attaching mark	MMMillimeter
ASSY. Assembly	MPHMiles per hour
C.D.I. Capacitive discharge ignition	R.Right
COMP. ... Complete	RR.Rear
CP. Candle power	STD.Standard
D.C. Direct current	T (22T) ...Tooth (22 Teeth)
EX. Exhaust	TCSTraction control system
FR. Front	T.M.Transcript mark
G Gram	VVolt
HEX. Hexagonal	WWatt
IN. Inlet	WLWith labelling
KPH Kilometers per hour	WOLWithout labelling

1

Part block and serial number check



Models, parts catalogue codes and applicable serial numbers

Models, parts catalogue codes and applicable serial Nos. given in this parts catalogue can be identified as follows.

Parts with parts catalogue codes are exclusive for models destined for countries designated.

If no area codes are listed, parts are for common use.

Model	Area code	Type	Applicable engine serial No.	Applicable frame serial No.	Applicable throttle body identification No.
C125k	MA	Malaysia	JA48E-2000001~	MLHJA489*K5100001~	GQYFB A

* Of carburetor/throttle body identification numbers, only the portions underlined in the example below are used for registration.

GQ YFB A KC ア
Ⓐ Ⓑ

Color chart

- When ordering a colored part, refer to the chart below and use a part number consisting of the relevant basic part number to which has been added a part color code.

C125 (C125K)

No.	MODEL		C125K						
	COLOR		Pearl shining black	Pearl niltava blue	Pearl nebula red	Applicable model		Applicable block No.	Ref.No.
	CODE		NH-B98P	PB-415P	R-376P	Initial applicable model	Final applicable model		
	Name of colored parts	Basic part No.	NHB98	PB415	R376				
1	BADGE, BODY COVER	86831-K0G-900	ZA	ZA	ZA			F-50	5
2	BADGE, L. PRODUCT	86202-K0G-900	ZA	ZA	ZA			F-50	2
3	BADGE, R. PRODUCT	86201-K0G-900	ZA	ZA	ZA			F-50	1
4	CASE, UNDER HALF DRIVE CHAIN	40520-K0G-900	ZA	ZA	ZA			F-32	2
5	CASE, UPPER HALF DRIVE CHAIN	40510-K0G-900	ZA	ZA	ZA			F-32	1
6	COVER COMP., COMBINATION LOCK	81100-K0G-900	ZB	ZA	ZB			F-44	4
7	COVER COMP., HANDLE UPPER	53205-K0G-901	ZC	ZB	ZA			F-7	8
8	COVER COMP., HEADLIGHT UNDER	53207-K0G-901	ZC	ZB	ZA			F-7	10
9	COVER COMP., R. BODY	04801-K0G-900	ZD	ZB	ZA			F-23-10	1
10	COVER SET, L. BODY	83650-K0G-900	ZC	ZB	ZA			F-23-10	20
11	COVER, CENTER	80151-K0G-900	ZC	ZB	ZA			F-23-10	7
12	COVER, L. FR. FORK	61160-K0G-900	ZC	ZB	ZA			F-10	4
13	COVER, L. SIDE	83504-K0G-900	ZB	ZA	ZB			F-23-10	16
14	COVER, R. FR. FORK	61150-K0G-900	ZC	ZB	ZA			F-10	2
15	COVER, R. SIDE	83404-K0G-900	ZB	ZA	ZB			F-23-10	9
16	CUSHION ASSY., RR.	52400-K0G-901	-	ZA	-			F-33	1
17	CUSHION ASSY., RR.	52400-K0G-911	-	-	ZA			F-33	1
18	CUSHION ASSY., RR.	52400-K0G-931	ZA	-	-			F-33	1
19	EMBLEM, FR. TOP GARNISH	86641-K0G-900	ZA	ZA	ZA			F-50	3

C125 (C125k)

No.	MODEL		C125K						
	COLOR		Pearl shining black	Pearl niltava blue	Pearl nebula red	Applicable model		Applicable block No.	Ref.No.
	CODE		NH-B98P	PB-415P	R-376P	Initial applicable model	Final applicable model		
	Name of colored parts	Basic part No.	NHB98	PB415	R376				
20	FENDER COMP., RR.	80100-K0G-900	ZC	ZB	ZA			F-34	4
21	FENDER, FR.	61100-K0G-900	ZC	ZB	ZA			F-10	1
22	GARNISH SET, FR. TOP	64300-K0G-900	ZA	ZA	ZA			F-10	6
23	GRIP, MAIN STAND	50410-K0G-900	ZC	ZB	ZA			F-23-10	3
24	GRIP, MAIN STAND UNDER	50420-K0G-900	ZC	ZB	ZA			F-23-10	4
25	MARK, DRIVE CAUTION	87560-KW7-950	ZB	ZB	ZB			F-49	5
26	PANEL COMP., RR. BRAKE	43100-KWW-640	ZK	ZK	ZK			F-18	4
27	SEAT COMP., SINGLE	77100-K0G-901	ZA	ZB	ZA			F-23	2
28	SHIELD SET, LEG	83200-K0G-900	ZB	ZA	ZB			F-44	8
29	SWINGARM SUB ASSY., RR.	52200-K0G-900	ZC	ZB	ZA			F-32	10
30	WHEEL SUB ASSY., FR.	44650-K0G-900	ZA	ZA	ZA			F-14-40	5
31	WHEEL SUB ASSY., RR.	42650-K0G-900	ZA	ZA	ZA			F-19-40	8

Fuel hose, general purpose hoses and vinyl hose

- The standard part fuel hose, general purpose hose and vinyl hose may be substituted by the coiled bulk part.
- When ordering the standard part fuel hose, general purpose hose and vinyl hose use the bulk part number written in the parts catalogue in brackets () underneath the part name, or use the catalogue below.
(The bulk part standard length is 1 m, however, those displayed in the catalogue < > are available in 3 m and 8 m lengths.)
- When exchanging the hose, cut and use at the specified length as mentioned in the part name.
(For the method of cutting the bulk part, and method of filling out orders etc., please refer to the service manual and the instructions issued with the bulk part.)
- The list below is a catalogue of the standard part numbers and bulk part numbers. Note that those numbers are applicable to the listed replacement parts only.

Fuel hoses/Tubes			
Standard part No.	Bulk part No.	Bulk part	
		Inner diameter (mm)	Length (m)
95001-30xxx-2x	95001-30001-20M	3.0	1
95001-30xxx-3x	95001-30001-30M	3.0	1
95001-30xxx-4x	95001-30001-40M	3.0	1
95001-35xxx-2x	95001-35001-50M <95001-35003-50M>	3.5	1 3
95001-35xxx-3x	95001-35001-60M <95001-35003-60M>	3.5	1 3
95001-35xxx-4x	95001-35001-60M <95001-35003-60M>	3.5	1 3
95001-35xxx-5x	95001-35001-50M <95001-35003-50M>	3.5	1 3
95001-35xxx-6x	95001-35001-60M <95001-35003-60M>	3.5	1 3
95001-45xxx-2x	95001-45001-50M <95001-45003-50M>	4.5	1 3
95001-45xxx-3x	95001-45001-60M <95001-45003-60M> <95001-45008-60M>	4.5	1 3 8
95001-45xxx-4x	95001-45001-60M <95001-45003-60M> <95001-45008-60M>	4.5	1 3 8
95001-45xxx-5x	95001-45001-50M <95001-45003-50M>	4.5	1 3
95001-45xxx-6x	95001-45001-60M <95001-45003-60M> <95001-45008-60M>	4.5	1 3 8
95001-55xxx-2x	95001-55001-50M <95001-55003-50M> <95001-55008-50M>	5.5	1 3 8

Fuel hoses/Tubes			
Standard part No.	Bulk part No.	Bulk part	
		Inner diameter (mm)	Length (m)
95001-55xxx-3x	95001-55001-60M <95001-55003-60M> <95001-55008-60M>	5.5	1 3 8
95001-55xxx-4x	95001-55001-60M <95001-55003-60M> <95001-55008-60M>	5.5	1 3 8
95001-55xxx-5x	95001-55001-50M <95001-55003-50M> <95001-55008-50M>	5.5	1 3 8
95001-55xxx-6x	95001-55001-60M <95001-55003-60M> <95001-55008-60M>	5.5	1 3 8
95001-75xxx-2x	95001-75001-50M <95001-75003-50M>	7.5	1 3
95001-75xxx-3x	95001-75001-60M <95001-75003-60M> <95001-75008-60M>	7.5	1 3 8
95001-75xxx-4x	95001-75001-60M <95001-75003-60M> <95001-75008-60M>	7.5	1 3 8
95001-75xxx-5x	95001-75001-50M <95001-75003-50M>	7.5	1 3
95001-75xxx-6x	95001-75001-60M <95001-75003-60M> <95001-75008-60M>	7.5	1 3 8
95001-80xxx-2x	95001-80001-50M	8.0	1
95001-80xxx-3x	95001-80001-60M	8.0	1
95001-80xxx-4x	95001-80001-60M	8.0	1
95001-80xxx-5x	95001-80001-50M	8.0	1
95001-80xxx-6x	95001-80001-60M	8.0	1

Vinyl tube				
Standard part No.	Bulk part No.	Bulk part		
		Inner dia- meter (mm)	Outer dia-meter (mm)	Length (m)
95003-01xxx-3x	95003-01001-60M <95003-01003-60M>	2.9	6.8	1 3
95003-01xxx-60	95003-01001-60M <95003-01003-60M>	2.9	6.8	1 3
95003-03xxx-3x	95003-03001-60M <95003-03003-60M>	3.0	6.0	1 3
95003-03xxx-60	95003-03001-60M <95003-03003-60M>	3.0	6.0	1 3
95003-05xxx-3x	95003-05001-60M <95003-05003-60M> <95003-05008-60M>	3.5	6.5	1 3 8
95003-05xxx-60	95003-05001-60M <95003-05003-60M> <95003-05008-60M>	3.5	6.5	1 3 8
95003-07xxx-1x	95003-07001-10M <95003-07003-10M> <95003-07008-10M>	4.0	7.0	1 3 8
95003-07xxx-20	95003-07001-10M <95003-07003-10M> <95003-07008-10M>	4.0	7.0	1 3 8
95003-07xxx-3x	95003-07001-60M <95003-07003-60M> <95003-07008-60M>	4.0	7.0	1 3 8
95003-07xxx-60	95003-07001-60M <95003-07003-60M> <95003-07008-60M>	4.0	7.0	1 3 8
95003-07xxx-7x	95003-07001-70M <95003-07003-70M> <95003-07008-70M>	4.0	7.0	1 3 8
95003-08xxx-1x	95003-08001-10M <95003-08003-10M> <95003-08008-10M>	4.5	6.5	1 3 8
95003-09xxx-3x	95003-09001-60M <95003-09003-60M>	4.5	8.0	1 3
95003-09xxx-60	95003-09001-60M <95003-09003-60M>	4.5	8.0	1 3
95003-10xxx-1x	95003-10001-10M <95003-10003-10M>	5.0	8.0	1 3
95003-10xxx-20	95003-10001-10M <95003-10003-10M>	5.0	8.0	1 3
95003-10xxx-3x	95003-10001-60M <95003-10003-60M>	5.0	8.0	1 3
95003-10xxx-60	95003-10001-60M <95003-10003-60M>	5.0	8.0	1 3
95003-11xxx-3x	95003-11001-60M <95003-11003-60M> <95003-11008-60M>	5.0	9.0	1 3 8
95003-11xxx-60	95003-11001-60M <95003-11003-60M> <95003-11008-60M>	5.0	9.0	1 3 8
95003-12xxx-1x	95003-12001-10M <95003-12003-10M> <95003-12008-10M>	5.0	7.0	1 3 8
95003-12xxx-20	95003-12001-10M <95003-12003-10M> <95003-12008-10M>	5.0	7.0	1 3 8

Vinyl tube				
Standard part No.	Bulk part No.	Bulk part		
		Inner dia- meter (mm)	Outer dia-meter (mm)	Length (m)
95003-14xxx-1x	95003-14001-10M <95003-14003-10M>	6.0	9.0	1 3
95003-14xxx-20	95003-14001-10M <95003-14003-10M>	6.0	9.0	1 3
95003-14xxx-3x	95003-14001-60M <95003-14003-60M>	6.0	9.0	1 3
95003-17xxx-1x	95003-17001-10M <95003-17003-10M>	7.0	9.0	1 3
95003-19xxx-1x	95003-19001-10M <95003-19003-10M> <95003-19008-10M>	7.0	11.0	1 3 8
95003-19xxx-20	95003-19001-10M <95003-19003-10M> <95003-19008-10M>	7.0	11.0	1 3 8
95003-19xxx-3x	95003-19001-60M <95003-19003-60M> <95003-19008-60M>	7.0	11.0	1 3 8
95003-19xxx-60	95003-19001-60M <95003-19003-60M> <95003-19008-60M>	7.0	11.0	1 3 8
95003-21xxx-1x	95003-21001-10M <95003-21003-10M>	8.0	9.0	1 3
95003-21xxx-20	95003-21001-10M <95003-21003-10M>	8.0	9.0	1 3
95003-23xxx-1x	95003-23001-10M <95003-23003-10M>	8.0	12.0	1 3
95003-23xxx-20	95003-23001-10M <95003-23003-10M>	8.0	12.0	1 3
95003-23xxx-3x	95003-23001-60M <95003-23003-60M> <95003-23008-60M>	8.0	12.0	1 3 8
95003-23xxx-60	95003-23001-60M <95003-23003-60M> <95003-23008-60M>	8.0	12.0	1 3 8
95003-25xxx-1x	95003-25001-10M <95003-25003-10M>	9.0	11.0	1 3
95003-25xxx-20	95003-25001-10M <95003-25003-10M>	9.0	11.0	1 3
95003-25xxx-3x	95003-25001-60M <95003-25003-60M>	9.0	11.0	1 3
95003-25xxx-7x	95003-25001-70M <95003-25003-70M>	9.0	11.0	1 3
95003-27xxx-1x	95003-27001-10M <95003-27003-10M>	9.0	13.0	1 3
95003-27xxx-20	95003-27001-10M <95003-27003-10M>	9.0	13.0	1 3
95003-27xxx-3x	95003-27001-60M <95003-27003-60M>	9.0	13.0	1 3
95003-27xxx-60	95003-27001-60M <95003-27003-60M>	9.0	13.0	1 3
95003-33xxx-1x	95003-33001-10M <95003-33003-10M>	10.0	14.0	1 3
95003-33xxx-20	95003-33001-10M <95003-33003-10M>	10.0	14.0	1 3

Vinyl tube				
Standard part No.	Bulk part No.	Bulk part		
		Inner dia- meter (mm)	Outer dia-meter (mm)	Length (m)
95003-36xxx-1x	95003-36001-10M <95003-36003-10M> <95003-36008-10M>	11.0	13.0	1 3 8
95003-36xxx-20	95003-36001-10M <95003-36003-10M> <95003-36008-10M>	11.0	13.0	1 3 8
95003-37xxx-3x	95003-37001-60M <95003-37003-60M>	11.0	15.0	1 3
95003-37xxx-60	95003-37001-60M <95003-37003-60M>	11.0	15.0	1 3
95003-38xxx-1x	95003-38001-10M <95003-38003-10M>	12.0	13.0	1 3
95003-38xxx-20	95003-38001-10M <95003-38003-10M>	12.0	13.0	1 3
95003-39xxx-1x	95003-39001-10M <95003-39003-10M>	12.0	14.0	1 3
95003-39xxx-20	95003-39001-10M <95003-39003-10M>	12.0	14.0	1 3
95003-40xxx-20	95003-40001-10M <95003-40003-10M>	12.0	16.0	1 3
95003-40xxx-3x	95003-40001-60M <95003-40003-60M>	12.0	16.0	1 3
95003-40xxx-60	95003-40001-60M <95003-40003-60M>	12.0	16.0	1 3
95003-43xxx-1x	95003-43001-10M <95003-43003-10M> <95003-43008-10M>	13.0	15.0	1 3 8
95003-43xxx-20	95003-43001-10M <95003-43003-10M> <95003-43008-10M>	13.0	15.0	1 3 8
95003-45xxx-1x	95003-45001-10M <95003-45003-10M> <95003-45008-10M>	14.0	18.0	1 3 8
95003-45xxx-20	95003-45001-10M <95003-45003-10M> <95003-45008-10M>	14.0	18.0	1 3 8
95003-50xxx-1x	95003-50001-10M <95003-50003-10M>	16.0	19.0	1 3
95003-50xxx-20	95003-50001-10M <95003-50003-10M>	16.0	19.0	1 3
95003-50xxx-3x	95003-50001-60M <95003-50003-60M>	16.0	19.0	1 3
95003-55xxx-1x	95003-55001-10M <95003-55003-10M>	17.5	20.5	1 3
95003-55xxx-20	95003-55001-10M <95003-55003-10M>	17.5	20.5	1 3
95003-60xxx-1x	95003-60001-10M <95003-60003-10M>	22.0	27.0	1 3
95003-60xxx-20	95003-60001-10M <95003-60003-10M>	22.0	27.0	1 3
95003-60xxx-3x	95003-60001-60M <95003-60003-60M>	22.0	27.0	1 3
95003-60xxx-60	95003-60001-60M <95003-60003-60M>	22.0	27.0	1 3

General purpose hoses			
Standard part No.	Bulk part No.	Bulk part	
		Inner diameter (mm)	Length (m)
95005-11xxx-3x	95005-11001-30M	11.0	1
95005-11xxx-5x	95005-11001-50M	11.0	1
95005-12xxx-1x	95005-12001-10M <95005-12003-10M>	12.0	1 3
95005-12xxx-2x	95005-12001-20M	12.0	1
95005-12xxx-3x	95005-12001-30M	12.0	1
95005-12xxx-5x	95005-12001-50M	12.0	1
95005-14xxx-1x	95005-14001-10M	14.0	1
95005-14xxx-2x	95005-14001-20M <95005-14003-20M>	14.0	1 3
95005-14xxx-3x	95005-14001-30M	14.0	1
95005-14xxx-5x	95005-14001-50M	14.0	1
95005-17xxx-1x	95005-17001-10M	17.0	1
95005-17xxx-2x	95005-17001-20M	17.0	1
95005-17xxx-3x	95005-17001-30M	17.0	1
95005-17xxx-5x	95005-17001-50M	17.0	1
95005-30xxx-3x	95005-30001-30M	3.0	1
95005-30xxx-5x	95005-30001-50M	3.0	1
95005-35xxx-1x	95005-35001-10M <95005-35003-10M> <95005-35008-10M>	3.5	1 3 8
95005-35xxx-2x	95005-35001-20M	3.5	1
95005-35xxx-3x	95005-35001-30M	3.5	1
95005-35xxx-4x	95005-35001-10M <95005-35003-10M> <95005-35008-10M>	3.5	1 3 8
95005-35xxx-5x	95005-35001-50M	3.5	1
95005-45xxx-1x	95005-45001-10M <95005-45003-10M> <95005-45008-10M>	4.5	1 3 8
95005-45xxx-2x	95005-45001-20M	4.5	1
95005-45xxx-3x	95005-45001-30M	4.5	1

General purpose hoses			
Standard part No.	Bulk part No.	Bulk part	
		Inner diameter (mm)	Length (m)
95005-45xxx-4x	95005-45001-10M <95005-45003-10M> <95005-45008-10M>	4.5	1 3 8
95005-45xxx-5x	95005-45001-50M	4.5	1
95005-50xxx-3x	95005-50001-30M <95005-50003-30M>	5.0	1 3
95005-50xxx-5x	95005-50001-50M	5.0	1
95005-55xxx-1x	95005-55001-10M <95005-55003-10M> <95005-55008-10M>	5.3	1 3 8
95005-55xxx-2x	95005-55001-20M <95005-55003-20M>	5.3	1 3
95005-55xxx-4x	95005-55001-10M <95005-55003-10M> <95005-55008-10M>	5.3	1 3 8
95005-65xxx-1x	95005-65001-10M <95005-65003-10M>	6.5	1 3
95005-65xxx-2x	95005-65001-20M	6.5	1
95005-70xxx-3x	95005-70001-30M <95005-70003-30M>	7.0	1 3
95005-70xxx-5x	95005-70001-50M	7.0	1
95005-75xxx-1x	95005-75001-10M <95005-75003-10M>	7.3	1 3
95005-75xxx-2x	95005-75001-20M	7.3	1
95005-80xxx-1x	95005-80001-10M <95005-80003-10M>	8.0	1 3
95005-80xxx-2x	95005-80001-20M	8.0	1
95005-80xxx-3x	95005-80001-30M	8.0	1
95005-80xxx-5x	95005-80001-50M	8.0	1
95005-91xxx-3x	95005-91001-30M	12.0	1
95005-91xxx-5x	95005-91001-50M	12.0	1
95005-92xxx-3x	95005-92001-30M	12.0	1
95005-92xxx-5x	95005-92001-50M	12.0	1

NOTE: X is displayed to represent the omitted numerals and letters of the roman alphabet.

⊙ **CAUTION: It is DANGEROUS to confuse the fuel hose with the general purpose hose or vinyl hose.**

Never use a general purpose hose or vinyl hose in place of a fuel hose or vice versa. Always use the correct bulk part in the parts catalogue, according to the service manual or the instructions issued with the bulk part.

• Bulk part number of fuel hose, general purpose hose and vinyl hose.

(Example)

9 5 0 0 1 - 7 5 0 0 1 - 5 0 M

Bulk part number: Refers to the bulk part.

Marking code (hose type): (fuel hose and general purpose hose)

Change code (for added hose): (Vinyl hose)

- Indicates number mark or change sequence, however, the code for the bulk part must be strictly 0 (zero).

Types of code:

- Fuel hose
 - 2: Red outside braid (3 mm inside dia. only)
 - 5: Black inside braid
 - 3: Red (3 mm inside dia. only)
 - 4: Ash gray with red stripe (3 mm inside dia. only)
 - 6: Black
- Vinyl hose
 - 1: Clear
 - 2: Black
 - 3: Light red
 - 6: Light red
 - 7: Pale black
- General hose
 - 1: Ash gray
 - 2: Ash gray
 - 3: Black
 - 5: Black

Lengths: 001: 1 m (standard)
003: 3 m
008: 8 m

I.D code: (fuel hose and general purpose hose)

- 30: 3.0 mm
- 35: 3.5 mm
- 45: 4.5 mm
- 50: 5.0 mm
- 55: 5.3 mm, 5.5 mm
- 65: 6.5 mm
- 70: 7.0 mm
- 75: 7.3 mm, 7.5 mm
- 80: 8.0 mm
- 11: 11 mm
- 91: 12 mm (outside dia. 15) mm
- 92: 12 mm (outside dia. 16) mm
- 12: 12 mm (outside dia. 17) mm
- 14: 14 mm
- 17: 17 mm

ID./OD. code: (vinyl hose)

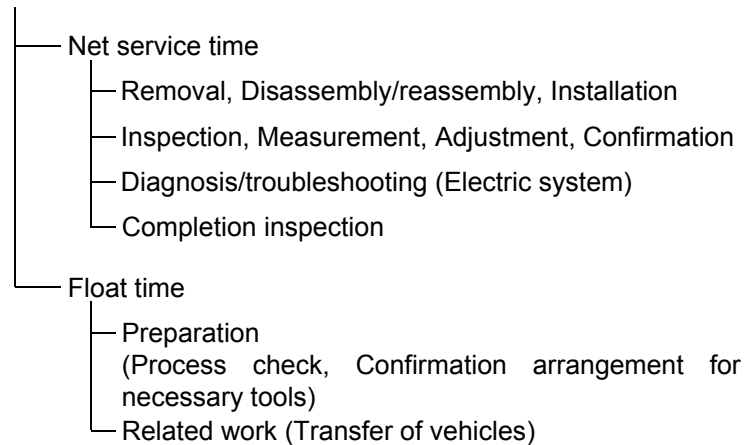
- 01: ID. 2.9, OD. 6.8 mm
- 03: ID. 3.0, OD. 6.0 mm
- 05: ID. 3.5, OD. 6.5 mm
- 07: ID. 4.0, OD. 7.0 mm
- 08: ID. 4.5, OD. 6.5 mm
- 09: ID. 4.5, OD. 8.0 mm
- 12: ID. 5.0, OD. 7.0 mm
- 10: ID. 5.0, OD. 8.0 mm
- 11: ID. 5.0, OD. 9.0 mm
- 14: ID. 6.0, OD. 9.0 mm
- 17: ID. 7.0, OD. 9.0 mm
- 19: ID. 7.0, OD. 11.0 mm
- 21: ID. 8.0, OD. 9.0 mm
- 23: ID. 8.0, OD. 12.0 mm
- 25: ID. 9.0, OD. 11.0 mm
- 27: ID. 9.0, OD. 13.0 mm
- 33: ID. 10.0, OD. 14.0 mm
- 36: ID. 11.0, OD. 13.0 mm
- 37: ID. 11.0, OD. 15.0 mm
- 38: ID. 12.0, OD. 13.0 mm
- 39: ID. 12.0, OD. 14.0 mm
- 40: ID. 12.0, OD. 16.0 mm
- 43: ID. 13.0, OD. 15.0 mm
- 45: ID. 14.0, OD. 18.0 mm
- 50: ID. 16.0, OD. 19.0 mm
- 55: ID. 17.5, OD. 20.5 mm
- 60: ID. 22.0, OD. 27.0 mm

Hose type: 1: Fuel hose
3: Vinyl hose
5: General hose

FLAT RATE SERVICE TIME

Flat rate service time (FRT) means the standard time required to service a MC, which is listed in this manual to help the dealers control the actual working process and calculate the service charge by using it as a guide.

FRT setting system



* Float time is set by multiplying the net service time by a given coefficient.

Editorial style

The service items shown in the text are listed with the exchange work time for the repair sales parts as the subject. Other representative service items not using repair parts (removal/installation, adjustment, inspection/measuring, and other work) are listed collectively in the list in the preface, classified according to the work.

FRT setting standard

- Decimal system (in unit of 0.1) is adopted to set FRT as it is convenient to calculate the wage.
Example: (0.1) → 6 minutes, (0.2) → 12 minutes
[Labor cost per hour] x [FRT] = [Wage]
- FRT is set with a hand tool.
- Service items and FRT can be subject to change depending on development of tools and service equipment and improvement in service procedure.

Work procedure

- As the work procedure is set with the work time according to the method in the separate Service Manual, refer to this Manual as required.
- Work methods permitting servicing in the shortest time still permitting assurance of safe work and product warranty are used for the setting of service items not listed in the Service Manual.
- Work basically is to be performed by one person, and when two or more people are required, setting is done as the total time for the number of people.
- The set value for the technological level of the workers uses a person with three years of experience in the repair of Honda vehicles as the standard.
- Special tools and service equipment used to set FRT are those specified or recommended in Service Manual.

Service item whose FRT is not presented

- Accessories and service parts that are not listed to use in this manual.
- Locations with little aging deterioration or breakage during normal use.
- Service work that can be finished by one touch.
- Service work that is seldom done (i.e. extremely small causes of trouble and service frequency).

* When FRT is not presented, please calculate wages based on appropriate actual work time

Operation not included of FRT

- Oil and coolant water draining, Waiting time for warming up operation and etc..
- Additional operation that involves removal/installation of standard exterior equipment.
- Indirect time spent for service by visiting the customer, trade-in, and delivery of a MC.
- Indirect time required for ordering and delivery of parts.
- Cost for grease, adhesive agent, etc. used for service work.

Explanation of FRT by using an example
(The example may differ from the actual presented items)

Ref. No.	L.O.N.	(Relative ref. Number) Description	F.R.T.
②	111118	(1, 3, 4, 7) CAMSHAFT 4.5	②
③	111118A	⑥ • Includes: Valve clearance adjustment Replace rocker arm add 1.0	⑤

- ① Reference No. of the illustration of part that shows location of the replacement work.
- ② FRT is an abbreviation of Flat Rate Time indicating the standard service time required for the replacement.
- ③ LON is an abbreviation of Labor Operation Number, and it is a classification of the service items by the work unit code.

The same operation code is used regardless of the models.

Standard operation is indicated with 6 digits code, and additional operation is indicated with 7 digits code.

- ④ Indicating the camshaft replacement and FRT4.5.
- ⑤ Indicating FRT1.0 that will be added when additional operation (replace rocker arm) is done in association with camshaft replacement.

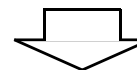
⑥ Indicating work contents that are included in the service item.

⑦ Indicating a reference No. whose operation and time are the same as FRT4.5 for the camshaft.

(The application range is limited to the service items without an LON setting within a same block.)

How to refer to the service item by using the sample
(camshaft replacement)

Open to the page of the block where the camshaft's spare part illustration is shown.



Look for the camshaft illustration, and refer to the service item and FRT that agree with the reference No.

Indication mark for the listing of service items that continues to the following page

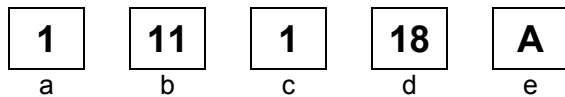
Ref. No.	L.O.N.	(Relative ref. Number) Description	F.R.T.
2	111118	CAMSHAFT	4.5
	.	.	.
	.	.	.

+
Mark indicated at the last line.

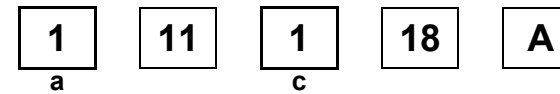
Indication of the block with no setting of FRT

Ref. No.	L.O.N.	(Relative ref. Number) Description	F.R.T.
NO INFORMATION			

• LON code system



- a) Category code..... Engine
- b) Location/function code Engine upper
- c) Operation code..... Replace
- d) Operation sequence number (Unit code can be shown with alphabet) camshaft (No regular rule of code)
- e) Additional code replace rocker arm (No regular rule of code)



a) Category codes and classification

Code	Category
1	Engine
2	Transmission
3	Fuel & Exhaust
4	Frame & Body
5	Steering/Suspension
6	Electrical
7	Wheels/Brakes
8	Controls/instrument
9	-
0	-

c) Operation codes and classification

Code	Operation category
1	Replace, Removal/Installation, Change
2	Overhaul
3	Adjust, Balance
4	(Paint-related work: Top-coat)
5	Test, Inspect/diagnose, Measurement, Check
6	(Overhaul-related work: Rebore)
7	(Overhaul-related work: Reseal)
8	(Resurface)
9	(Paint-related work: Refinish)
0	Repair, Cleaning, Air bleeding

Major service items without using spare parts
Removal/Installation, Adjustment, Inspection/Measurement, Other work

[E: Engine, F: Frame]

* OPERATIONS OTHER THAN REPLACING PARTS

• Removal/installation

Set for the configuration with the parts removed from the vehicle.

	LON	DESCRIPTION	FRT
E	1101E5	TILTING ENGINE ASSEMBLY-REMOVAL/INSTALLATION INCLUDES: All necessary adjustment	1.8
	3111D5	THROTTLE BODY ASSEMBLY-REMOVAL/INSTALLATION	0.6
	1101E6	CRANKCASE SEPARATION INCLUDES: Engine removal and installation	3.3

• Adjustment

	LON	DESCRIPTION	FRT
E	2123A0	CLUTCH-ADJUSTMENT	0.1
	6143A1	SPARK PLUG-ADJUSTMENT/CLEANING	0.1
	1113A0	VALVE CLEARANCE-ADJUSTMENT NOTE: For 1 vehicle	0.5
F	6163A0	HEADLIGHT-AIMING	0.1
	2133A0	DRIVE CHAIN-ADJUSTMENT	0.1
	7113A1	REAR BRAKE-ADJUSTMENT EXCLUDES: Rear brake shoe adjustment	0.1
	3113A3	THROTTLE OPERATION-ADJUSTMENT	0.1

• Inspection/Measurement

	LON	DESCRIPTION	FRT
E	1115A0	COMPRESSION PRESSURE-MEASUREMENT	0.2
	6145A0	IGNITION TIMING-INSPECTION	0.2
F	6105A0	BATTERY-CHARGE INCLUDES: In case of open type battery, checking electrolyte level and charge.	0.2

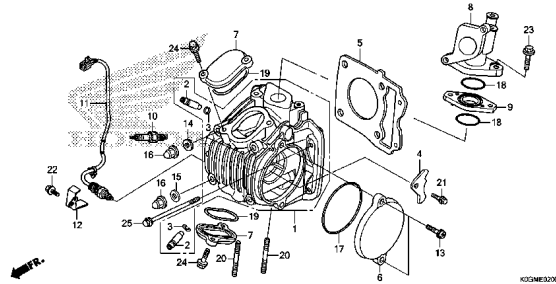
• Other work

	LON	DESCRIPTION	FRT
E	1130A1	OIL FILTER SCREEN-CLEANING	0.7
F	7110A0	FRONT BRAKE-AIR BLEEDING	0.2
	6155A0	SMART CARD KEY MEMORIZATION	0.5
	6185A0	ECM/PCM UPDATE	0.3

ENGINE GROUP

E-2

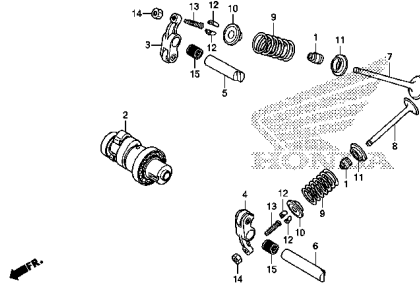
CYLINDER HEAD



KOOSME300

E-3

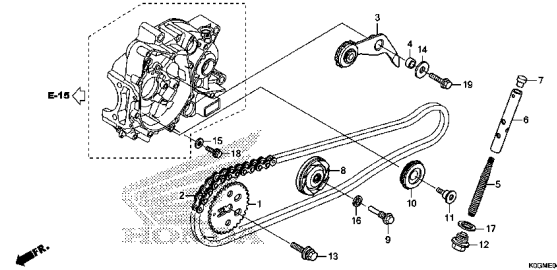
CAMSHAFT/VALVE



KOOSME300

E-4

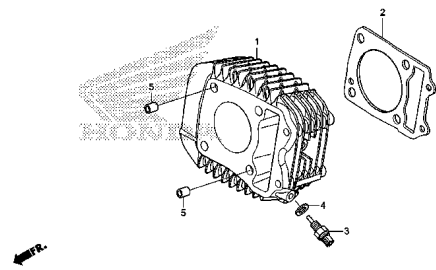
CAM CHAIN/TENSIONER



KOOSME300

E-5

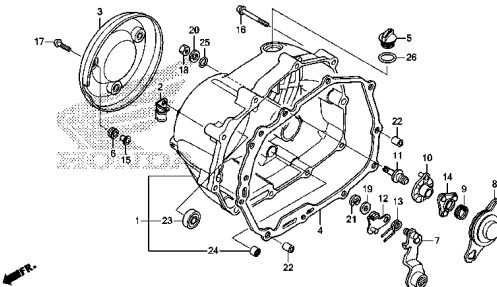
CYLINDER



KOOSME300

E-6

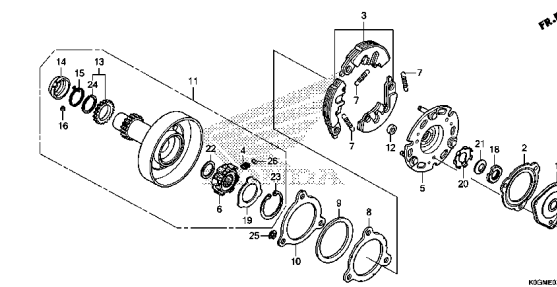
RIGHT CRANKCASE COVER



KOOSME300

E-7

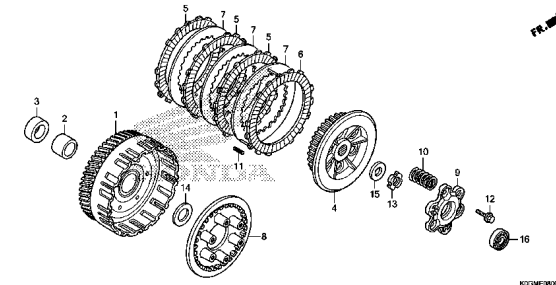
ONE WAY CLUTCH



KOOSME300

E-8

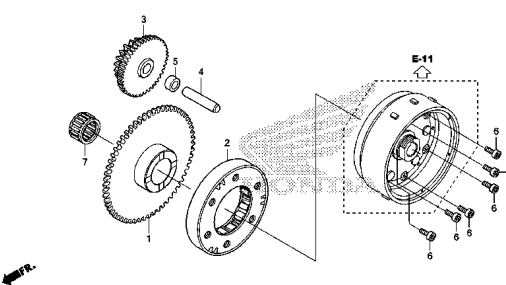
CLUTCH



KOOSME300

E-9

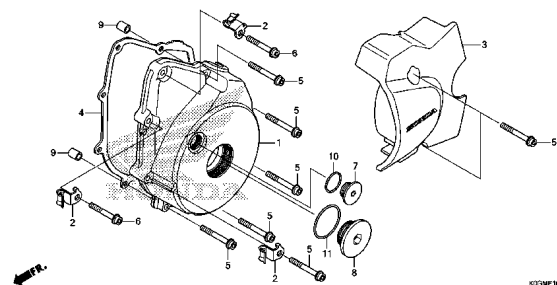
STARTING CLUTCH



KOOSME300

E-10

LEFT CRANKCASE COVER



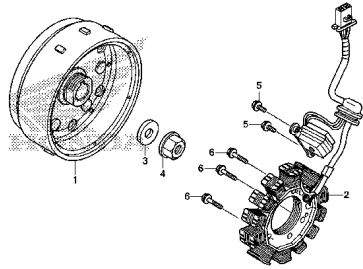
KOOSME300

2

ENGINE GROUP

E-11

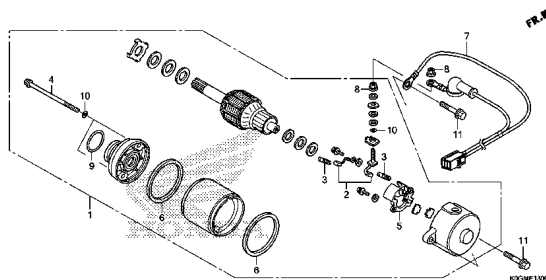
GENERATOR



KO0ME100

E-13

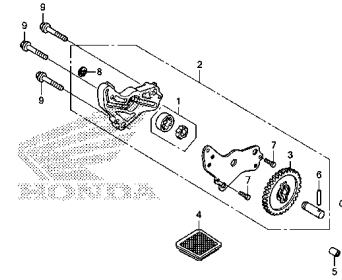
STARTER MOTOR



KO0ME100

E-14

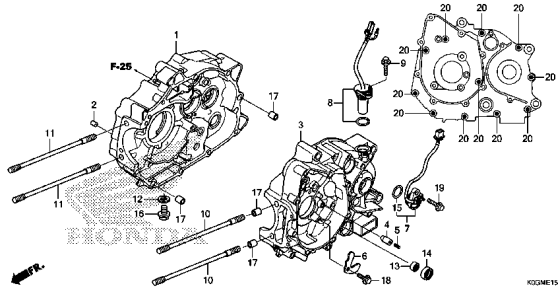
OIL PUMP



KO0ME100

E-15

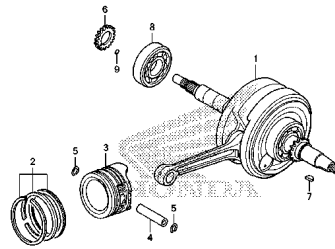
CRANKCASE



KO0ME100

E-16

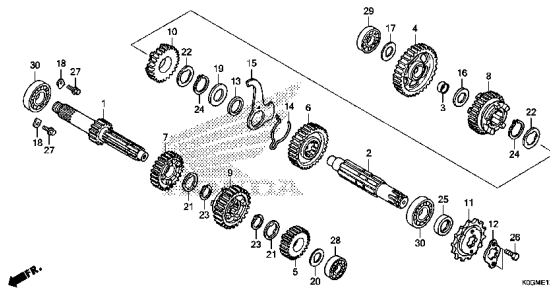
CRANKSHAFT/PISTON



KO0ME100

E-17

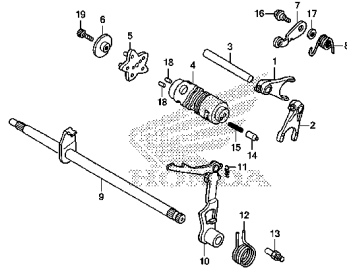
TRANSMISSION



KO0ME100

E-19

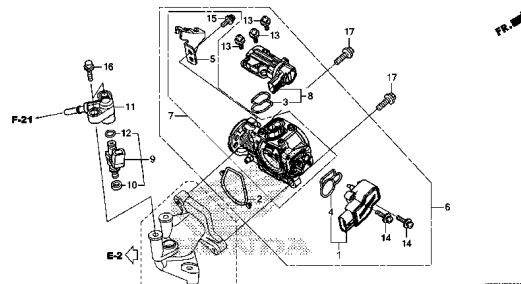
GEARSHIFT DRUM



KO0ME100

E-23

THROTTLE BODY

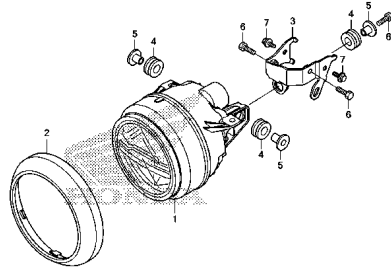


KO0ME200

FRAME GROUP

F-1

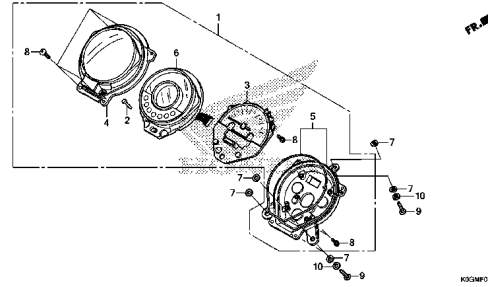
HEADLIGHT



KOOMP0100

F-2

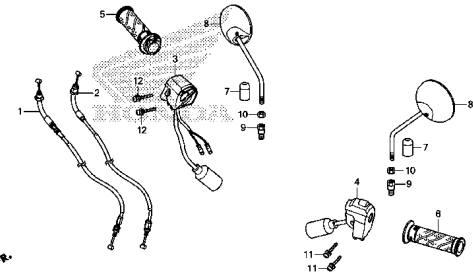
METER



KOOMP0200

F-4

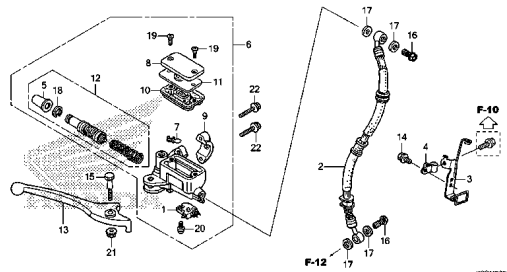
SWITCH/CABLE/MIRROR



KOOMP0400

F-5

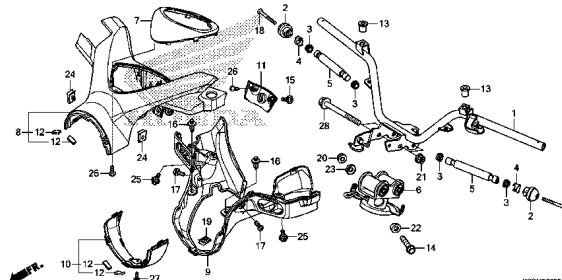
FRONT BRAKE MASTER CYLINDER



KOOMP0500

F-7

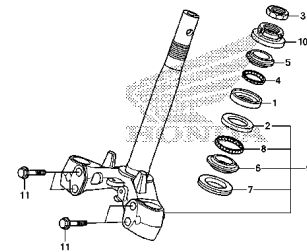
HANDLE PIPE/HANDLE COVER



KOOMP0700

F-9

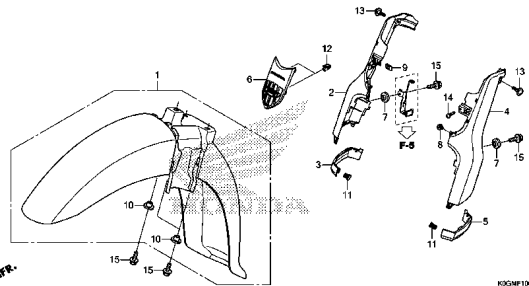
STEERING STEM



KOOMP0900

F-10

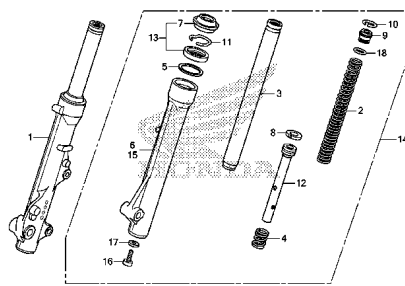
FRONT FENDER



KOOMP1000

F-11

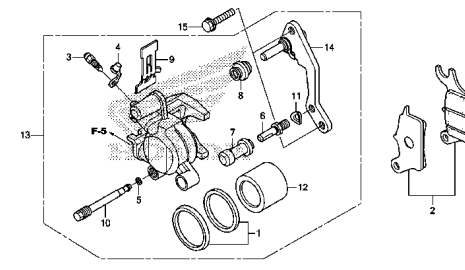
FRONT FORK



KOOMP1100

F-12

FRONT BRAKE CALIPER

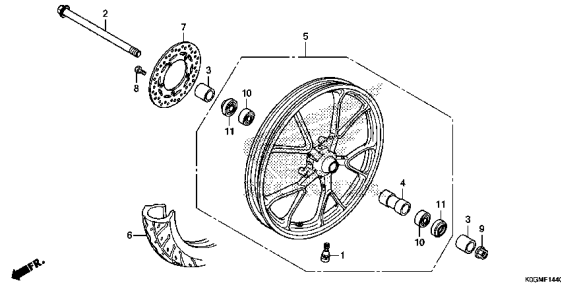


KOOMP1200

FRAME GROUP

F-14-40

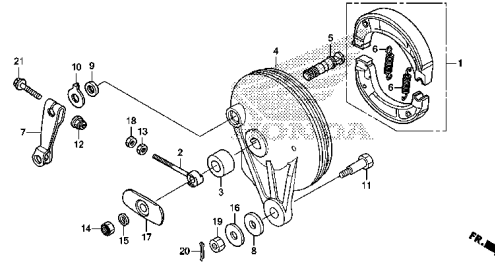
FRONT WHEEL



KOOMP1440

F-18

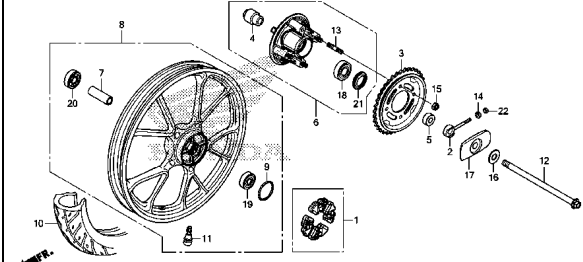
REAR BRAKE PANEL



KOOMP1800

F-19-40

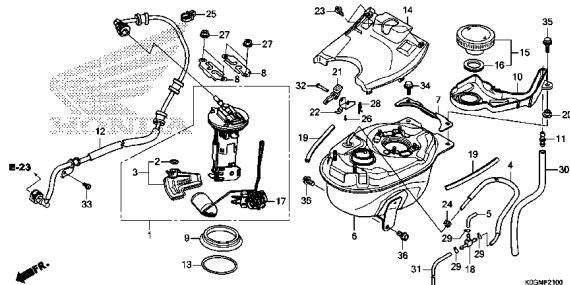
REAR WHEEL



KOOMP1840

F-21

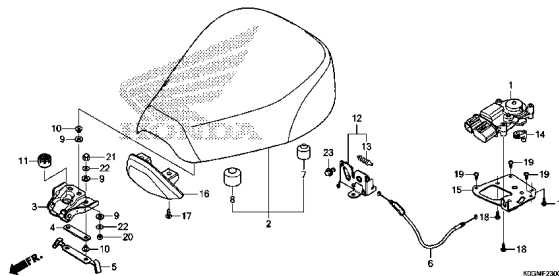
FUEL TANK/FUEL PUMP



KOOMP2100

F-23

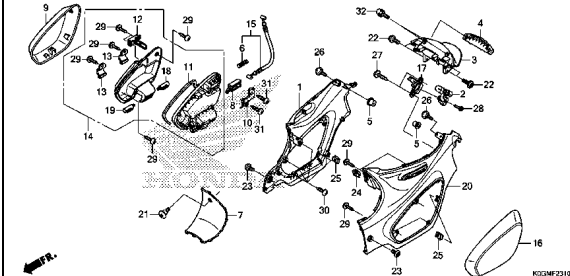
SEAT



KOOMP2300

F-23-10

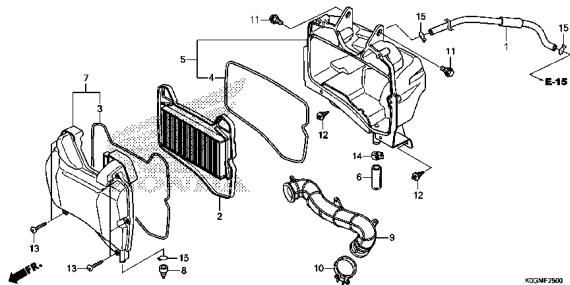
BODY COVER



KOOMP2310

F-25

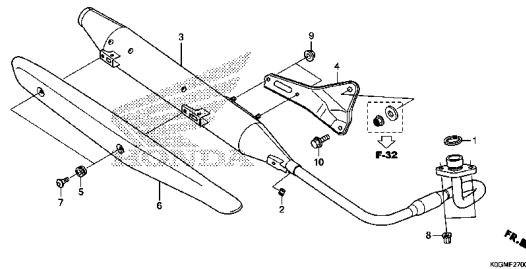
AIR CLEANER



KOOMP2500

F-27

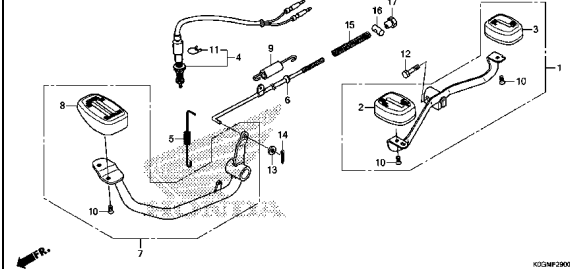
EXHAUST MUFFLER



KOOMP2700

F-29

PEDAL

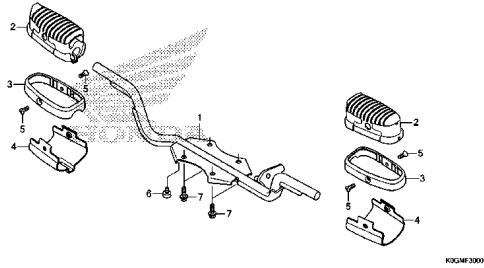


KOOMP2900

FRAME GROUP

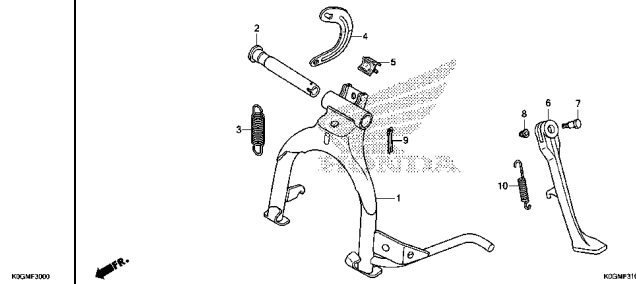
F-30

STEP



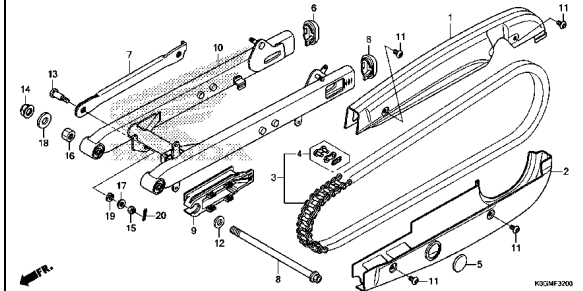
F-31

STAND



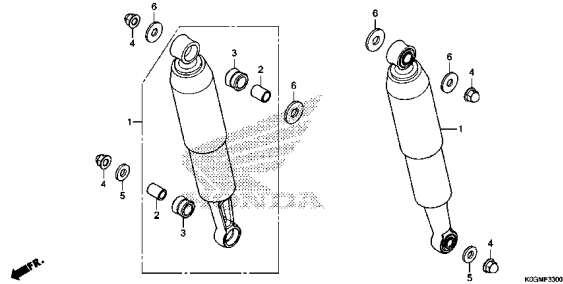
F-32

SWINGARM/CHAIN CASE



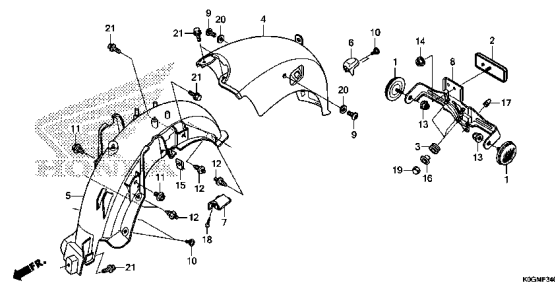
F-33

REAR CUSHION



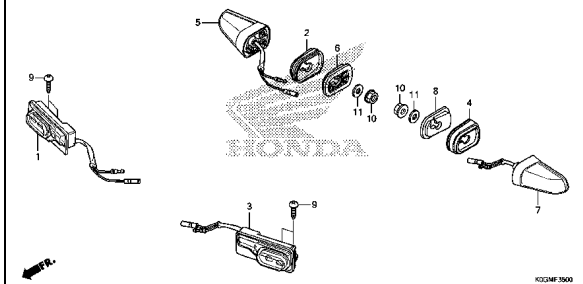
F-34

REAR FENDER



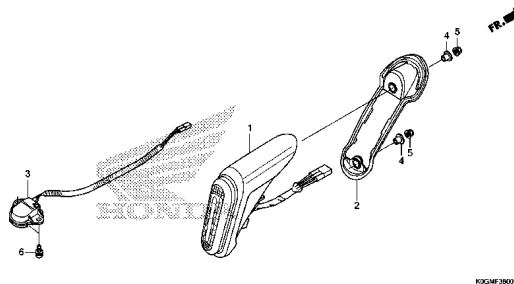
F-35

WINKER



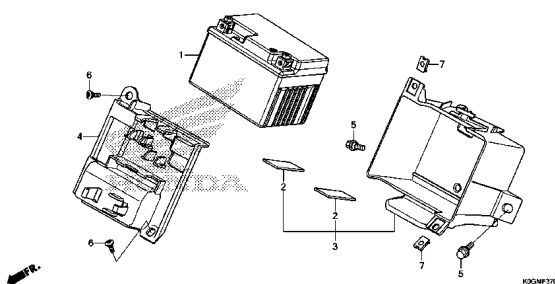
F-36

TAILLIGHT/LICENSE LIGHT



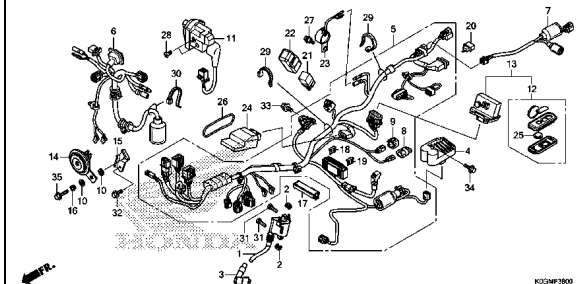
F-37

BATTERY



F-38

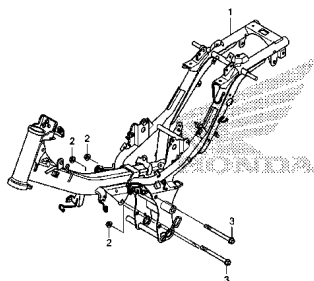
WIRE HARNESS



FRAME GROUP

F-39

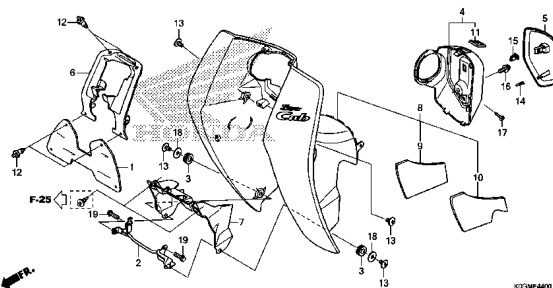
FRAME BODY



KOOMP390

F-44

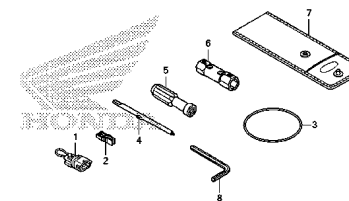
LEG SHIELD



KOOMP440

F-48

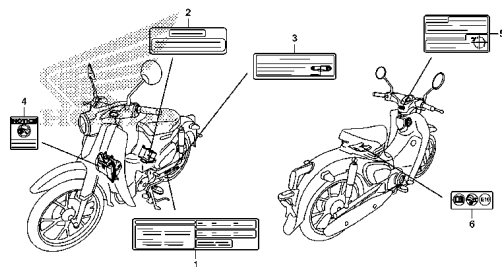
TOOL



KOOMP480

F-49

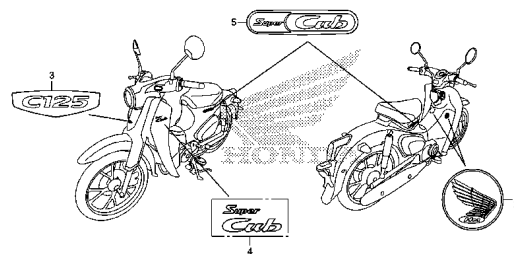
CAUTION LABEL



KOOMP490

F-50

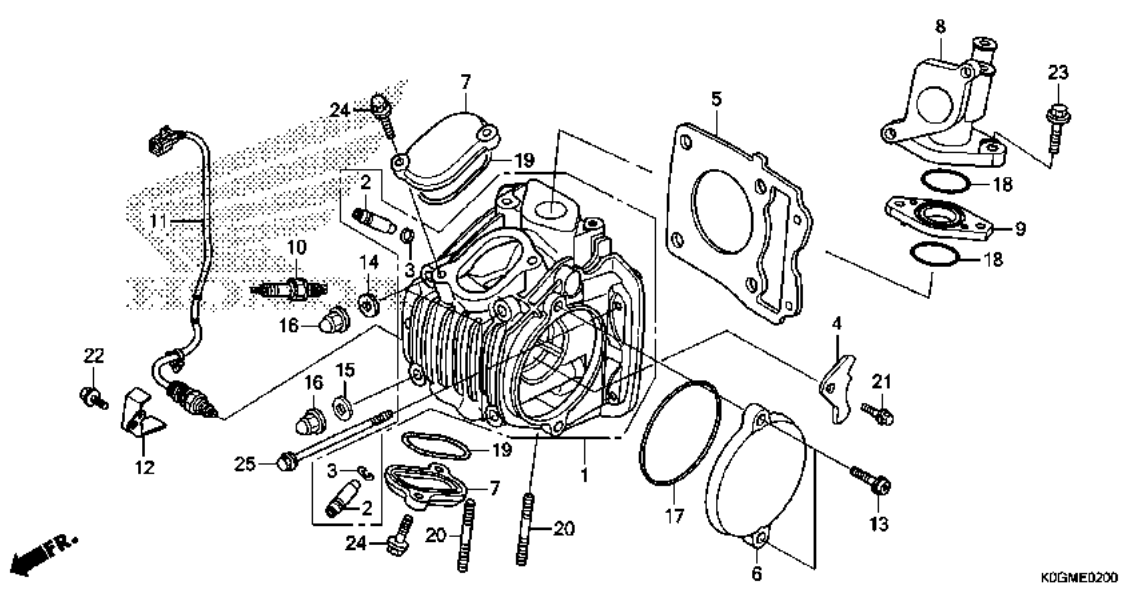
EMBLEM



KOOMP500

E-2

CYLINDER HEAD



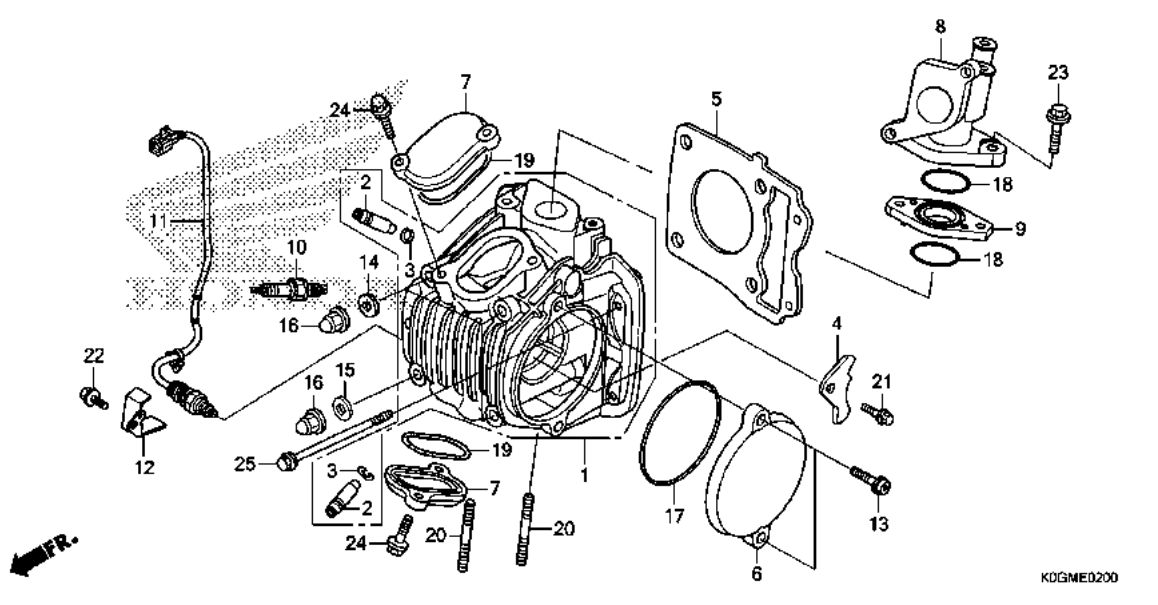
Ref. No.	L.O.N.	(Relative ref. Number) Description	F.R.T.
1	111106	HEAD, CYLINDERINCLUDES: Valve adjust and reface	2.2
2	1111L9	GUIDE, INTAKE VALVE(ONE)INCLUDES: Reaming .INCLUDES: Valve adjust and reface	2.2
	1111M0	GUIDE, EXHAUST VALVE(ONE)INCLUDES: Reaming .INCLUDES: Valve adjust and reface	2.2
	1111M9	GUIDE, VALVE :FOR 1 VEHICLE .. .INCLUDES: Reaming .INCLUDES: Valve adjust and reface	2.5
5	111115	GASKET, CYLINDER HEAD (17)	1.3
6	1111D0	COVER, CYLINDER HEAD SIDE :LEFT	0.1
7	111175	TAPPET ADJUSTING COVER AND/OR PACKING	0.2
		.NOTE: Same time for two units (9,18)	
8	111107	MANIFOLD, INTAKE	0.9

Ref. No.	Part No.	Description	Reqd. QTY	Serial No.	Parts catalogue code
			C125 K		
1	12200-KOF-T00	HEAD COMP., CYLINDER	1		
2	12204-KYZ-P00	GUIDE, VALVE(O.S.)	2		
3	12206-KPL-900	CLIP, VALVE GUIDE	2		
4	12211-KPH-900	PLATE, STOPPER	1		
5	12251-KYZ-901	GASKET, CYLINDER HEAD	1		
6	12341-KOF-T00	COVER, L. CYLINDER HEAD SIDE	1		
7	12361-KOF-T00	COVER, TAPPET ADJUSTING HOLE	2		
8	17111-KOG-900	PIPE, IN.	1		
9	17119-KOG-900	INSULATOR, IN. PIPE	1		
10	31916-KPH-901	PLUG, SPARK(CPR6EA-9)(NGK) ..	1		
	31917-KPH-900	PLUG, SPARK(CPR7EA-9)(NGK) ..	(1)		
	31926-KPH-901	PLUG, SPARK(U20EPR9)(DENSO) -	1		
	31927-KPH-901	PLUG, SPARK(U22EPR9)(DENSO) -	(1)		
11	36532-KOG-901	SENSOR, OXYGEN	1		
12	36535-K41-N00	GUARD, OXYGEN SENSOR	1		
13	90001-MGZ-J00	BOLT, FLANGE SOCKET, 6X22 ...	2		
14	90441-286-000	WASHER, SEALING, 8MM	3		
15	90441-ME9-000	WASHER, SEALING, 8MM	1		
16	90443-KTM-970	NUT, CAP, 8MM	4		
17	91301-PH8-005	O-RING, 74.5X2.5(NOK)	1		
18	91304-KPH-700	O-RING, 29X2.4	2		
19	91372-KPH-900	O-RING, TAPPET ADJUSTING HOLE			
		CAP	2		
20	92900-08028-0E	BOLT, STUD, 8X28	2		
21	95701-06012-00	BOLT, FLANGE, 6X12	1		



E-2

CYLINDER HEAD



Ref. No.	L.O.N.	(Relative ref. Number) Description	F.R.T.
10	614130	PLUG, SPARK	0.2
11	617121	SENSOR, OXYGEN	0.5

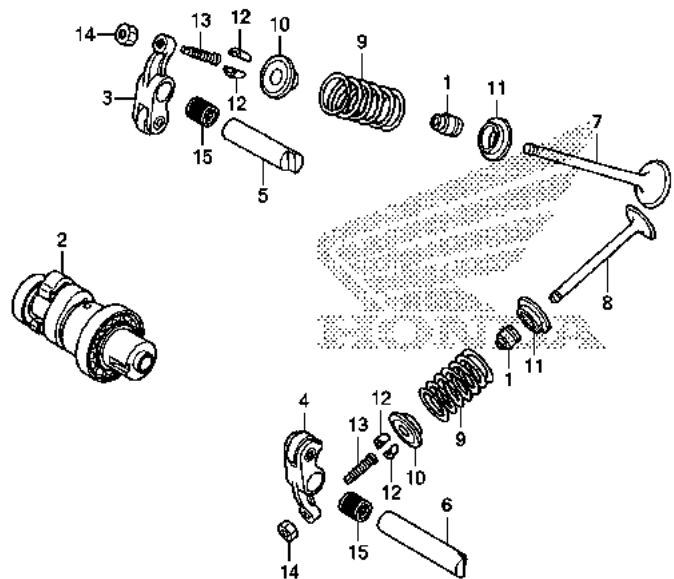
K0GMED200

Ref. No.	Part No.	Description	Reqd. QTY	Serial No.	Parts catalogue code
			C125 K		
22	95701-06014-00	BOLT, FLANGE, 6X14	1		
23	95701-06030-00	BOLT, FLANGE, 6X30	2		
24	96001-06020-00	BOLT, FLANGE, 6X20	4		
25	96001-06090-00	BOLT, FLANGE, 6X90	2		

2

E-3

CAMSHAFT/VALVE



KOGE0300

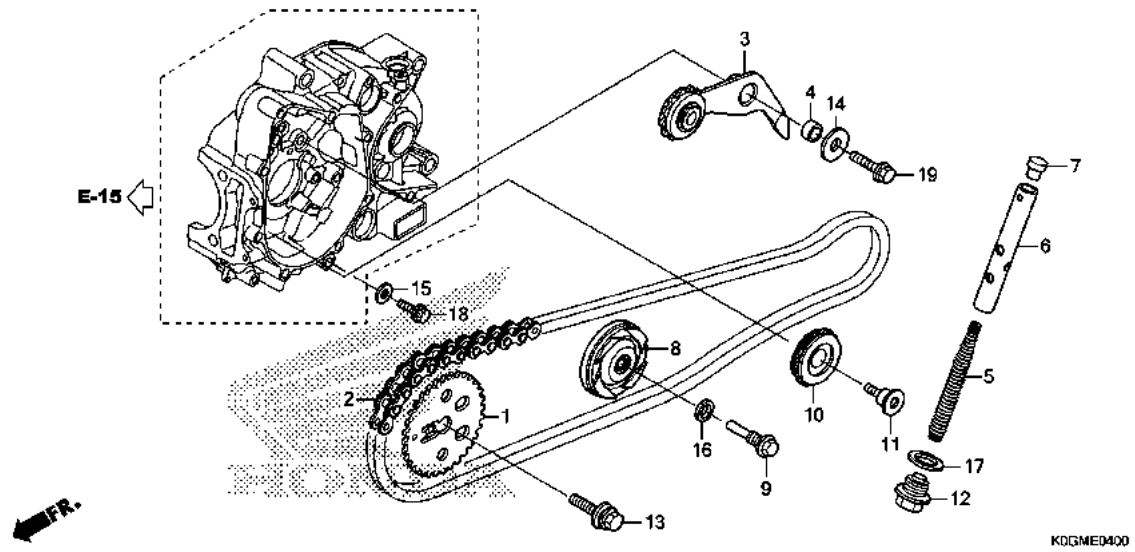
Ref. No.	L.O.N.	(Relative ref. Number) Description	F.R.T.
2	111118	CAMSHAFTINCLUDES: Valve adjustment (5,15)	1.0
3	1111K8	ARM, INTAKE VALVE ROCKER(ONE) .INCLUDES: Valve adjustment (6,15)	1.0
4	1111K9	ARM, EXHAUST VALVE ROCKER(ONE) .INCLUDES: Valve adjustment	1.0
	1111L8	ARM, VALVE ROCKER :FOR 1 VEHICLE	1.0
7	1111N0	VALVE, INTAKE(ONE)INCLUDES: Refacing	1.8
8	1111N1	VALVE, EXHAUST(ONE)INCLUDES: Refacing	1.8
	1111P0	VALVE :FOR 1 VEHICLEINCLUDES: Refacing	2.0
9	1111P2	INTAKE VALVE SPRING AND/OR STEM SEAL(ONE)	1.6
	1111P3	EXHAUST VALVE SPRING AND/OR STEM SEAL(ONE)	1.6
	1111Q2	VALVE SPRING AND/OR STEM SEAL :FOR 1 VEHICLE	1.7

Ref. No.	Part No.	Description	Reqd. QTY	Serial No.	Parts catalogue code
			C125 K		
1	12209-GB4-681	SEAL, VALVE STEM(NOK)	2		
2	14100-K73-T30	CAMSHAFT COMP.	1		
3	14430-KYZ-900	ARM COMP., IN. VALVE ROCKER ..	1		
4	14440-KYZ-901	ARM COMP., EX. VALVE ROCKER ..	1		
5	14451-KTC-900	SHAFT, IN. ROCKER ARM	1		
6	14452-KTC-900	SHAFT, EX. ROCKER ARM	1		
7	14711-K73-T30	VALVE, IN.	1		
8	14721-K73-T30	VALVE, EX.	1		
9	14751-KYZ-900	SPRING, VALVE	2		
10	14771-GB4-680	RETAINER, VALVE SPRING	2		
11	14775-KVY-900	SEAT, VALVE SPRING	2		
12	14781-MA6-000	COTTER, VALVE	4		
13	90012-KWB-600	SCREW, TAPPET ADJUSTING	2		
14	90206-001-000	NUT, TAPPET ADJUSTING	2		
15	91105-KYZ-901	BEARING, ROCKER ARM SHAFT ...	2		



E-4

CAM CHAIN/TENSIONER

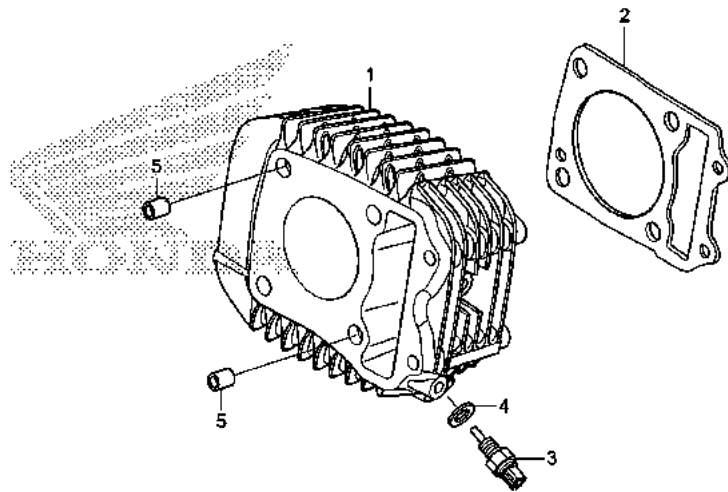


Ref. No.	L.O.N.	(Relative ref. Number) Description	F.R.T.
1	1111Q4	SPROCKET, CAM	0.8
2	110140	CHAIN, CAM	1.9
3	111151	ARM, CAM CHAIN TENSIONER	0.9
6		(5,7)	
	1111Q3	ROD, CAM CHAIN TENSIONER PUSH	0.3
8	1111G4	ROLLER, CAM CHAIN GUIDE	1.4
10	1111J0	SPROCKET, CAM CHAIN GUIDE	0.9

Ref. No.	Part No.	Description	Reqd. QTY	Serial No.	Parts catalogue code
			C125 K		
1	14321-KYZ-900	SPROCKET, CAM(32T)	1		
2	14401-K73-T31	CHAIN, CAM(DID25SHT-88LE) ...	1		
3	14500-KYZ-900	ARM COMP., CAM CHAIN TENSIONER	1		
4	14531-KYZ-900	COLLAR, CAM CHAIN TENSIONER -	1		
5	14541-GB4-681	SPRING, CAM CHAIN TENSIONER -	1		
6	14550-KRS-691	ROD COMP., TENSIONER PUSH (CENTRALIZE POWER)	1		
7	14566-086-030	HEAD, CAM CHAIN TENSIONER PUSH ROD	1		
8	14610-KWB-600	ROLLER COMP., CAM CHAIN GUIDE	1		
9	14615-KFL-850	PIN, GUIDE ROLLER	1		
10	14670-KYZ-900	ROLLER COMP., CAM CHAIN GUIDE	1		
11	14675-KYZ-900	BOLT, CAM CHAIN GUIDE ROLLER	1		
12	90081-035-000	BOLT, SEALING, 14MM	1		
13	90082-KWW-740	BOLT-WASHER, 8X22	1		
14	90404-KWB-600	WASHER, 8.5X26X2.3	1		
15	90463-ML7-000	WASHER, SEALING, 6.5MM	1		
16	90475-KWB-600	WASHER, 8MM	1		
17	90544-KFO-000	WASHER, SEALING, 14MM	1		
18	95701-06018-00	BOLT, FLANGE, 6X18	1		
19	95701-08025-00	BOLT, FLANGE, 8X25	1		

E-5

CYLINDER



K0GMED000

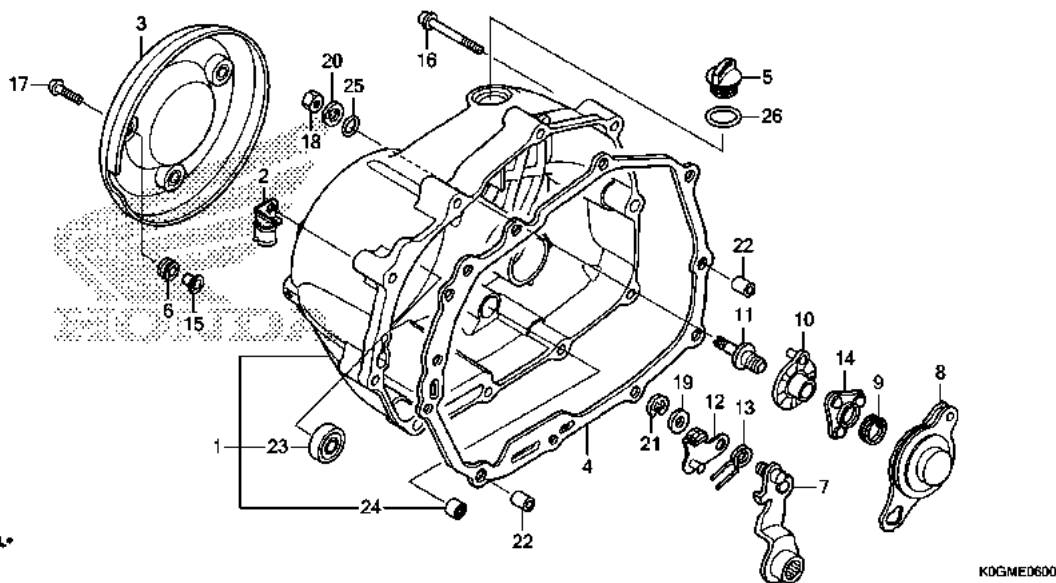
Ref. No.	L.O.N.	(Relative ref. Number) Description	F.R.T.
1	1111A5	CYLINDER	1.6
2	111102	GASKET, CYLINDER	1.5
3	617151	SENSOR, OIL TEMPERATURE	0.5

Ref. No.	Part No.	Description	Reqd. QTY C125 K	Serial No.	Parts catalogue code
1	12100-K0F-T00	CYLINDER COMP.	1		
2	12191-KYZ-900	GASKET, CYLINDER	1		
3	37750-KPH-701	SENSOR ASSY., THERMOSTAT OIL (PANASONIC)	1		
4	90443-MB0-000	WASHER, SEALING, 10.2MM	1		
5	94301-10120	DOWEL PIN, 10X12	2		



E-6

RIGHT CRANKCASE COVER

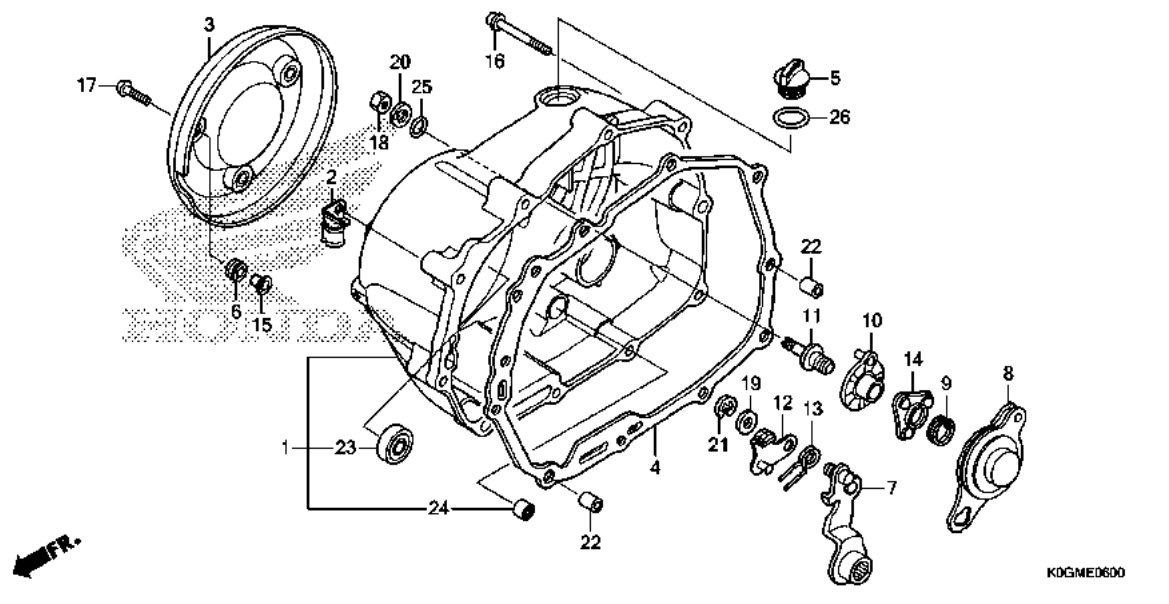


Ref. No.	L.O.N.	(Relative ref. Number) Description	F.R.T.
1	110159	COVER, CRANKCASE :RIGHT	0.9
3	1101N0	COVER, CRANKCASE OUTER :RIGHT	0.1
4	110158	GASKET, CRANKCASE COVER :RIGHT	0.7
7		(12)	
	2121A7	LEVER, CLUTCH	0.8
8		(9,14)	
	2121A9	PLATE, CLUTCH CAM	0.7
10	2121C5	PLATE, CLUTCH CAM LIFTER	0.8
11	2121E3	SCREW, CLUTCH ADJUSTING	0.8
23	1101V8	BEARING, CRANKSHAFT	
		:CRANKCASE COVER SIDE	0.9
24	1101AD	BEARING, GEARSHIFT SPINDLE	
		:RIGHT	0.9
	1101AE	BEARING, GEARSHIFT SPINDLE	
		:BOTH	3.7
		.INCLUDES: Engine removal and installation	

Ref. No.	Part No.	Description	Reqd. QTY	Serial No.	Parts catalogue code
			C125		
			K		
1	11330-K0G-900	COVER COMP., R. CRANKCASE ...	1		
2	11346-K0F-T00	CLAMPER A, OIL TEMP SENSOR	1		
		CORD	1		
3	11370-K0F-T00	PROTECTOR, R. COVER	1		
4	11394-KYZ-900	GASKET, R. CRANKCASE COVER ..	1		
5	15611-K0F-T00	CAP, OIL FILLER	1		
6	19639-GBC-000	RUBBER, MOUNTING	3		
7	22810-KPH-900	LEVER COMP., CLUTCH	1		
8	22820-KYZ-900	PLATE COMP., CLUTCH CAM	1		
9	22825-046-000	SPRING, CAM PLATE SIDE	1		
10	22830-KYZ-900	PLATE COMP., CLUTCH LIFTER ..	1		
11	22846-K0G-900	BOLT, CLUTCH ADJUSTING	1		
12	22850-KPH-900	PLATE COMP., BRAKE	1		
13	22853-KPH-900	SPRING, BRAKE	1		
14	22860-HB3-000	RETAINER COMP., BALL	1		
15	33715-GB0-900	COLLAR, TAILLIGHT SETTING ...	3		
16	90002-MJE-D00	BOLT, FLANGE SOCKET, 6X40 ...	10		
17	90130-K26-900	SCREW, PAN, 6X18	3		
18	90201-K0G-900	NUT, SPECIAL, 8MM	1		
19	90443-844-000	WASHER, THRUST, 8MM	1		
20	90485-040-000	WASHER, 8MM	1		
21	90605-166-720	CIRCLIP, 7MM	1		
22	90702-KFM-900	DOWEL PIN, 8X12	2		
23	91007-KPH-901	BEARING, RADIAL BALL SPECIAL,	1		
		6001U	1		

E-6

RIGHT CRANKCASE COVER



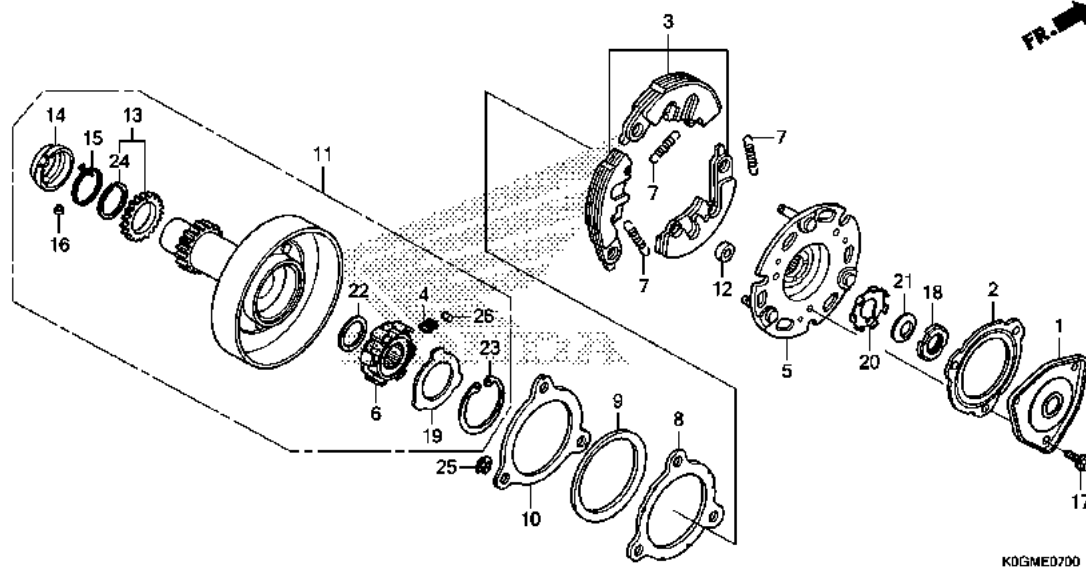
Ref. No.	Part No.	Description	Reqd. QTY		Serial No.	Parts catalogue code
			C125	K		

24	91021-148-004	BEARING, NEEDLE, 1010 (NTN) ..	1			
25	91303-001-010	O-RING, 8MM	1			
26	91307-KRM-840	O-RING, 18X3	1			



E-7

ONE WAY CLUTCH



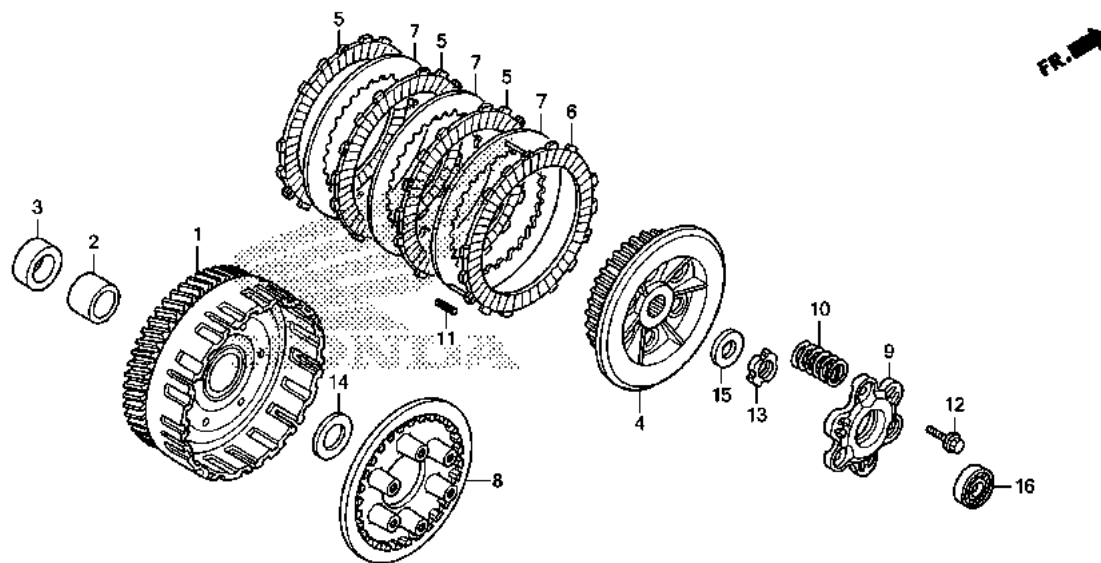
Ref. No.	L.O.N.	(Relative ref. Number) Description	F.R.T.
1		(2)	
2121D8		COVER, OIL FILTER	0.8
3		(7,12)	
2121A6		WEIGHT SET, CLUTCH	1.1
5		2121A2 PLATE, CLUTCH DRIVE	1.1
6		(4,26)	
2121D7		INNER, ONE-WAY CLUTCH	1.1
11		2121D9 OUTER, PRIMARY CLUTCH	1.1

Ref. No.	Part No.	Description	Reqd. QTY C125 K	Serial No.	Parts catalogue code
1	15431-KPH-900	COVER, OIL FILTER	1		
2	15439-KWW-741	GASKET, OIL FILTER COVER (NICHIAS)	1		
3	22535-K73-T30	WEIGHT SET, PRIMARY CLUTCH (F.C.C.)	1		
4	22606-GN5-910	SPRING, ONE WAY RETAINER	6		
5	22610-KYZ-901	PLATE COMP., PRIMARY DRIVE ..	1		
6	22630-KYZ-901	INNER COMP., ONE-WAY CLUTCH ..	1		
7	22641-KYZ-901	SPRING, PRIMARY CLUTCH	3		
8	22642-K73-T31	WASHER, CLUTCH SIDE	1		
9	22643-KPH-900	SPRING, SIDE FRICTION	1		
10	22644-K73-T31	PLATE, CLUTCH SIDE	1		
11	22660-K0G-901	OUTER ASSY., PRIMARY CLUTCH ..	1		
12	22804-KPH-880	RUBBER, CLUTCH DAMPER	3		
13	23122-K0G-305	GEAR SET, SUB(22T)	1		
14	23123-KPH-900	RETAINER, SPRING(F.C.C.)	1		
15	23124-KPH-900	SPRING, SUB GEAR	1		
16	23125-GN5-910	PIN(F.C.C.)	1		
17	90083-KFL-850	BOLT, SPECIAL FLANGE, 5X8	3		
18	90231-087-010	NUT, LOCK, 14MM	1		
19	90401-GB2-000	WASHER, 30X45X0.8	1		
20	90431-GN5-910	WASHER, LOCK	1		
21	90432-086-000	WASHER B, LOCK	1		
22	90433-KWB-601	WASHER, 17X23X1.5(F.C.C.)	1		
23	90455-GB2-000	CIRCLIP, INTERNAL, 45MM	1		

2

E-8

CLUTCH



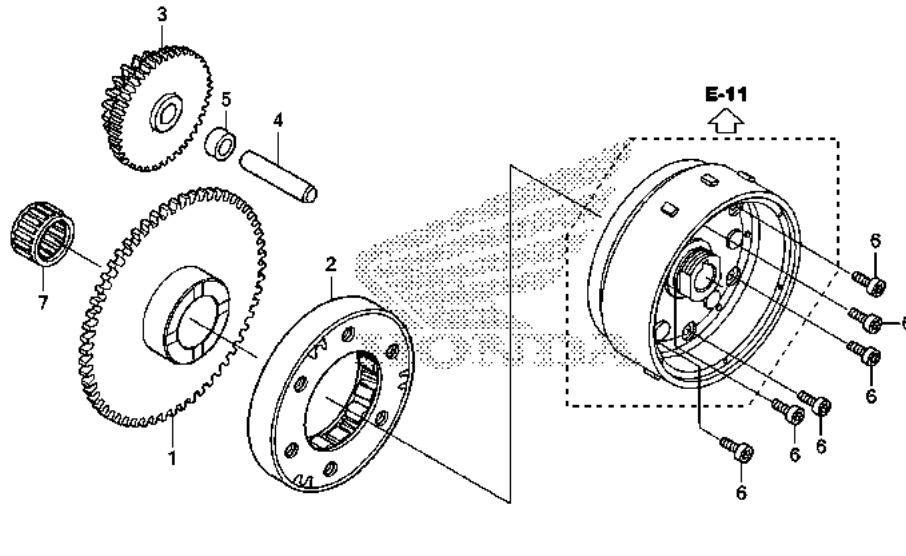
KDGMED800

Ref. No.	L.O.N.	(Relative ref. Number) Description	F.R.T.
1	2121A0	OUTER, CLUTCH	1.1
4	212112	CENTER, CLUTCH	1.3
5	2121A1	(6,7) DISC, CLUTCH FRICTION	1.3
.NOTE: Same time for two units or more			
8	2121A3	PLATE, CLUTCH PRESSURE	1.3
9	2121A4	PLATE, CLUTCH LIFTER	1.3
10	212107	SPRING, CLUTCH	1.3
.NOTE: Same time for two units or more			
16	2121B4	BEARING, CLUTCH LIFTER	0.8

Ref. No.	Part No.	Description	Reqd. QTY	Serial No.	Parts catalogue code
			C125 K		
1	22100-K0G-901	OUTER COMP., CLUTCH(74T)	1		
2	22115-KPH-900	GUIDE, CLUTCH OUTER	1		
3	22116-KPH-900	COLLAR, CLUTCH OUTER	1		
4	22121-KPH-900	CENTER, CLUTCH	1		
5	22201-KYZ-901	DISK, CLUTCH FRICTION	3		
6	22208-KYZ-901	DISK COMP., CLUTCH FRICTION ..	1		
7	22321-KE8-000	PLATE, CLUTCH	3		
8	22350-KPH-900	PLATE, CLUTCH PRESSURE	1		
9	22361-KTM-950	PLATE, CLUTCH LIFTER	1		
10	22401-KYZ-901	SPRING, CLUTCH	6		
11	22402-KYZ-901	SPRING, DRAG	3		
12	90050-KPH-900	BOLT, SPECIAL FLANGE, 6X20 ..	3		
13	90231-KM7-700	NUT, LOCK, 14MM	1		
14	90403-KPH-900	WASHER, THRUST, 17MM	1		
15	90432-KPT-A00	WASHER, 14.2X26X3	1		
16	91008-KK6-000	BEARING, RADIAL BALL, 16003 ..	1		

E-9

STARTING CLUTCH



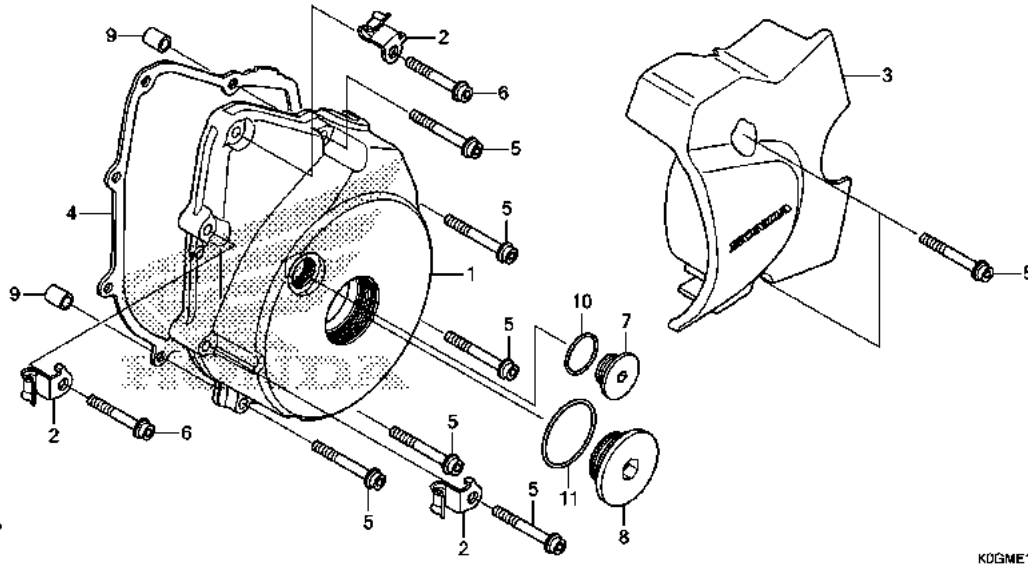
Ref. No.	L.O.N.	(Relative ref. Number) Description	F.R.T.
1		(7)	
612120		GEAR, STARTER DRIVEN	0.8
6121A2		CLUTCH, STARTING ONE WAY	0.9
612125		GEAR, STARTER REDUCTION	0.6

Ref. No.	Part No.	Description	Reqd. QTY C125 K	Serial No.	Parts catalogue code
1	28110-KYZ-900	GEAR, STARTER DRIVEN(57T) ...	1		
2	28120-KPH-701	CLUTCH ASSY., ONE WAY(EXEDY)	1		
3	28131-KYZ-901	GEAR, STARTER REDUCTION (17T/55T)	1		
4	28132-KPH-900	SHAFT, REDUCTION GEAR	1		
5	28133-KPH-900	COLLAR, STARTER REDUCTION ...	1		
6	90085-413-781	BOLT, SOCKET, 6MM	6		
7	91011-KWW-741	BEARING, NEEDLE, 21X27X18(NTN)	1		



E-10

LEFT CRANKCASE COVER

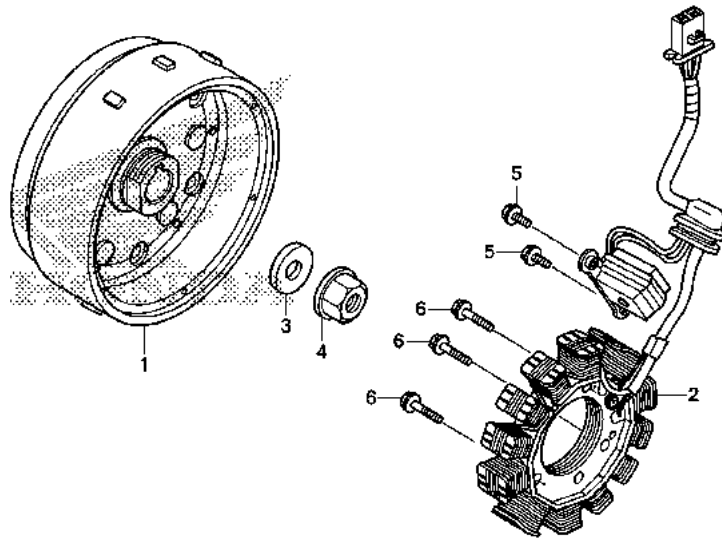


Ref. No.	L.O.N.	(Relative ref. Number) Description	F.R.T.
1	1101A6	COVER, CRANKCASE :LEFT	0.7
3	1101B0	COVER, CRANKCASE :LEFT REAR ..	0.1
4	1101A3	GASKET, CRANKCASE COVER :LEFT	0.6

Ref. No.	Part No.	Description	Reqd. QTY	Serial No.	Parts catalogue code
			C125 K		
1	11341-KOF-T00	COVER, L. CRANKCASE	1		
2	11346-KOF-T00	CLAMPER A, OIL TEMP SENSOR	3		
		CORD			
3	11360-KOG-900	COVER ASSY., L. RR.	1		
4	11395-KPH-901	GASKET, L. CRANKCASE COVER ..	1		
5	90001-MJE-D00	BOLT, FLANGE SOCKET, 6X35 ...	8		
6	90003-MGZ-J00	BOLT, FLANGE SOCKET, 6X28 ...	2		
7	90084-KOF-T00	CAP, 14MM	1		
8	90087-KOF-T00	CAP, 30MM	1		
9	90702-KFM-900	DOWEL PIN, 8X12	2		
10	91303-377-000	O-RING, 13.8X2.5	1		
11	91356-KWV-000	O-RING, 30MM	1		

E-11

GENERATOR



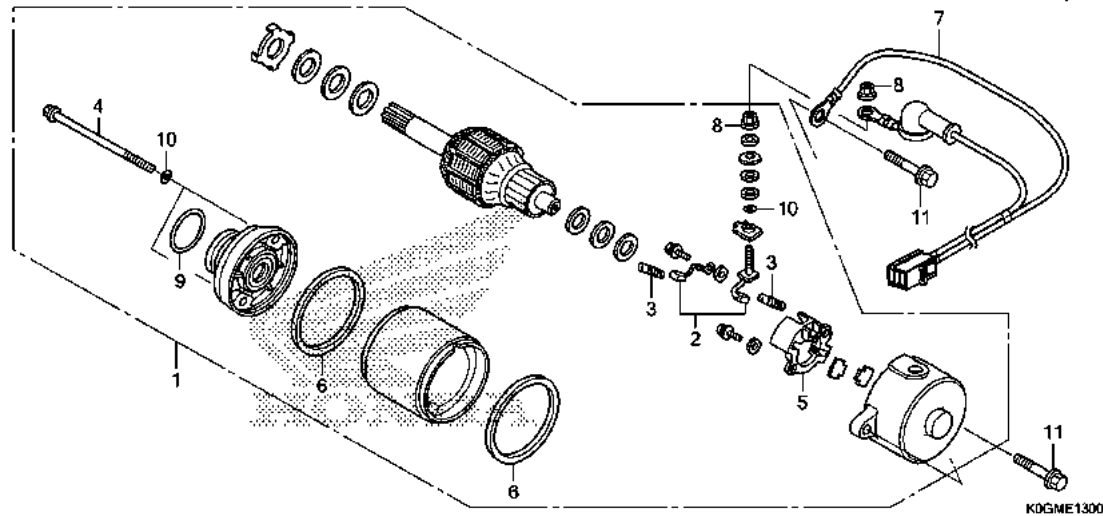
Ref. No.	L.O.N.	(Relative ref. Number) Description	F.R.T.
1	613105	ROTOR OR FLYWHEEL	0.9
2	6131A3	STATOR	0.9

Ref. No.	Part No.	Description	Reqd. QTY		Serial No.	Parts catalogue code
			C125	K		
1	31110-K0G-901	FLYWHEEL COMP.	1			
2	31120-K0G-901	STATOR COMP.	1			
3	90439-KWZ-900	WASHER, 12X24X2.3	1			
4	94050-12000	NUT, FLANGE, 12MM	1			
5	96001-06016-00	BOLT, FLANGE, 6X16	2			
6	96001-06022-00	BOLT, FLANGE, 6X22	3			



E-13

STARTER MOTOR

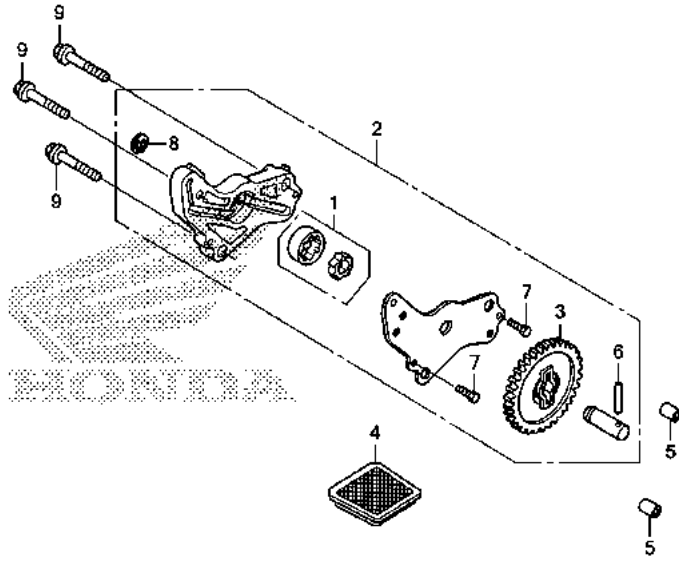


Ref. No.	L.O.N.	(Relative ref. Number) Description	F.R.T.
1		(9)	
612105		MOTOR, STARTING	0.8
2		(3,6)	
6121A4		TERMINAL, BRUSH(STARTER)	1.0
5		6121A5 HOLDER, BRUSH(STARTER)	1.0
7		612115 CABLE, STARTER MOTOR	0.7

Ref. No.	Part No.	Description	Reqd. QTY	Serial No.	Parts catalogue code
			C125 K		
1	31200-KPW-901	MOTOR ASSY., STARTER(MITSUBA)	1		
2	31201-KVS-J01	TERMINAL SET, BRUSH	1		
3	31204-KG8-004	SPRING, CARBON BRUSH	2		
4	31205-KPW-901	BOLT, SETTING	2		
5	31206-KPW-901	HOLDER, BRUSH	1		
6	31207-MBE-008	RING	2		
7	32410-KOG-900	CABLE, STARTER MOTOR	1		
8	90071-MB0-000	NUT-WASHER, 6MM	2		
9	91309-425-003	O-RING, 24.4X3.1(ARAI)	1		
10	91320-MB0-000	O-RING, 4X2	3		
11	95701-06025-00	BOLT, FLANGE, 6X25	2		

E-14

OIL PUMP



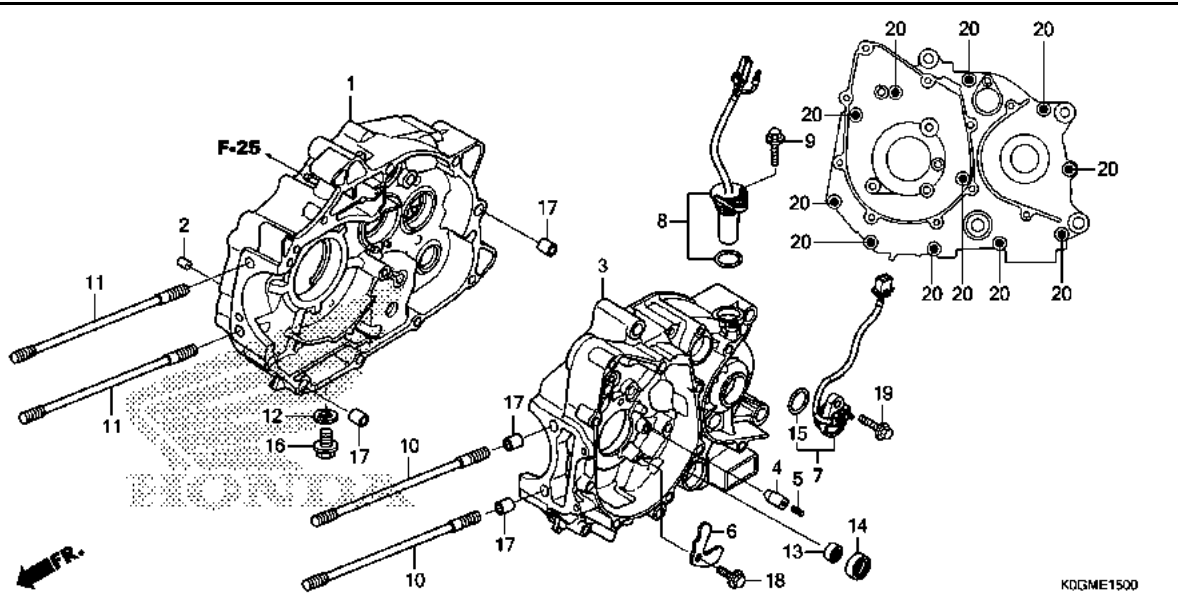
Ref. No.	L.O.N.	(Relative ref. Number) Description	F.R.T.
2	113105	PUMP ASSY., OIL	0.8
4	1131B5	SCREEN, OIL FILTER	0.7

Ref. No.	Part No.	Description	Reqd. QTY	Serial No.	Parts catalogue code
			C125 K		
1	15021-GF6-000	ROTOR SET, OIL PUMP	1		
2	15100-KTM-D20	PUMP ASSY., OIL	1		
3	15133-KTM-D20	GEAR, OIL PUMP DRIVEN(30T) ..	1		
4	15421-KSP-910	SCREEN, OIL FILTER	1		
5	90702-KFM-900	DOWEL PIN, 8X12	2		
6	91105-KTM-970	ROLLER, 4X23.8	1		
	96220-40238	1		
7	93301-05012-0J	BOLT, HEX., 5X12	2		
8	94540-06018	E-RING, 6MM	1		
9	95701-06035-00	BOLT, FLANGE, 6X35	3		



E-15

CRANKCASE



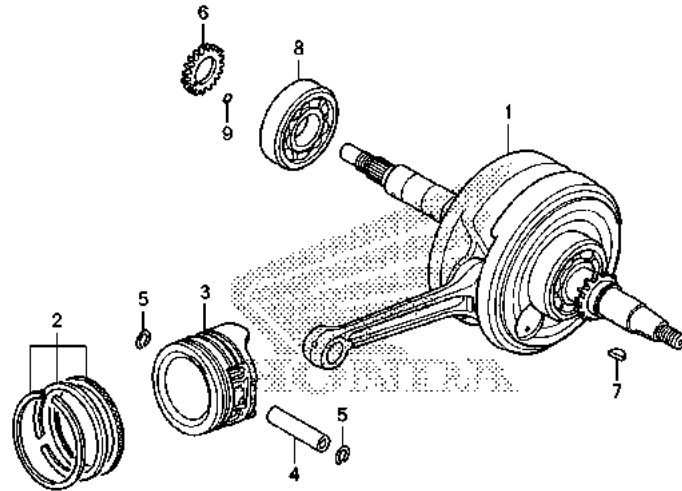
Ref. No.	L.O.N.	(Relative ref. Number) Description	F.R.T.
1	110120	CRANKCASE :RIGHTINCLUDES: Engine removal and installation	4.4
3	110115	CRANKCASE :LEFTINCLUDES: Engine removal and installation	3.7
	1101A2	CRANKCASE :BOTHINCLUDES: Engine removal and installation	4.7
7	615125	SWITCH, GEAR CHANGE	0.5
8	617198	SENSOR, SPEEDOMETER	0.5
13	1101AC	BEARING, GEARSHIFT SPINDLE :LEFTINCLUDES: Engine removal and installation	3.5
	1101AE	BEARING, GEARSHIFT SPINDLE :BOTHINCLUDES: Engine removal and installation	3.7
14	1101F9	OIL SEAL, GEARSHIFT SPINDLE ..	1.4

Ref. No.	Part No.	Description	Reqd. QTY	Serial No.	Parts catalogue code
			C125 K		
1	11100-KOG-900	CRANKCASE COMP., R.	1		
2	11133-KYZ-900	JET, OIL, 1.0MM	1		
3	11200-KOG-900	CRANKCASE COMP., L.	1		
4	11215-KYZ-900	PLUG, BEARING PUSH	1		
5	11216-KYZ-900	SPRING, BEARING PUSH	1		
6	11218-KYZ-900	PLATE, OIL STOPPER	1		
7	35759-KOG-901	CONTACT ASSY., CHANGE SWITCH	1		
8	37700-KOG-901	SENSOR ASSY., SPEED	1		
9	90004-GHB-640	BOLT, FLANGE, 6X18(NSHF)	1		
10	90031-KPH-900	BOLT, CYLINDER STUD, 8X203 ..	2		
11	90031-KYZ-900	BOLT, STUD, 8X196	2		
12	90407-259-000	PACKING, DRAIN COCK, 12.5X20	1		
13	91053-MFJ-D01	BEARING, NEEDLE, 12X16X10 ...	1		
14	91208-KPH-901	OIL SEAL, 11.6X24X10(ARAI) ..	1		
15	91301-HP2-671	O-RING, 21X2.4	1		
16	92800-12000	BOLT, DRAIN PLUG, 12MM	1		
17	94301-10120	DOWEL PIN, 10X12	4		
18	95701-06014-00	BOLT, FLANGE, 6X14	1		
19	95701-06018-00	BOLT, FLANGE, 6X18	1		
20	96001-06060-00	BOLT, FLANGE, 6X60	11		

2

E-16

CRANKSHAFT/PISTON



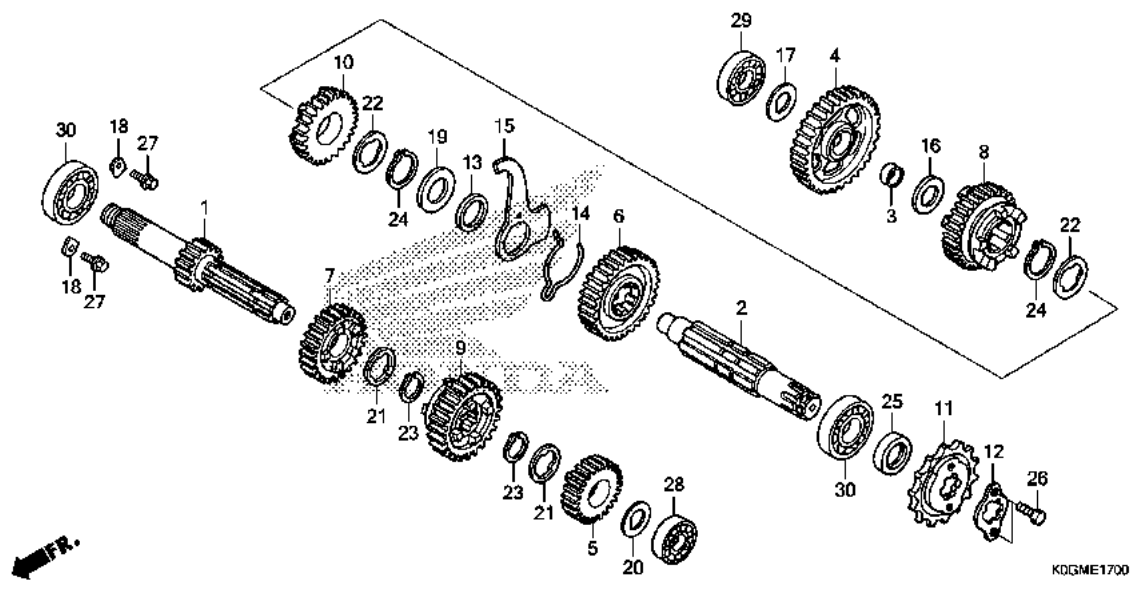
K0GME1600

Ref. No.	L.O.N.	(Relative ref. Number) Description	F.R.T.
1	1101B5	CRANKSHAFTINCLUDES: Engine removal and installation (2,4,5)	4.1
3	111103	PISTON RING AND/OR PISTON(ONE)	1.7
8	1101B7	BEARING, CRANKSHAFT :RIGHTINCLUDES: Engine removal and installation	4.0

Ref. No.	Part No.	Description	Reqd. QTY	Serial No.	Parts catalogue code
			C125 K		
1	13000-K0G-900	CRANKSHAFT COMP.	1		
2	13012-KYZ-900	RING SET, PISTON(STD.) (RIKEN)	1		
	13022-KYZ-900	RING SET, PISTON(0.25) (RIKEN)	(1)		
	13032-KYZ-900	RING SET, PISTON(0.50) (RIKEN)	(1)		
	13042-KYZ-900	RING SET, PISTON(0.75) (RIKEN)	(1)		
	13052-KYZ-900	RING SET, PISTON(1.00) (RIKEN)	(1)		
3	13101-KYZ-900	PISTON	1		
	13102-KYZ-901	PISTON(0.25)	(1)		
	13103-KYZ-901	PISTON(0.50)	(1)		
	13104-KYZ-901	PISTON(0.75)	(1)		
	13105-KYZ-901	PISTON(1.00)	(1)		
4	13111-087-000	PIN, PISTON	1		
5	13115-GN5-910	CLIP, PISTON PIN, 13MM	2		
6	15341-KPH-900	GEAR, OIL PUMP DRIVE(19T) ...	1		
7	90741-003-010	KEY, WOODRUFF, 4MM	1		
8	91001-K0G-901	BEARING, SPECIAL RADIAL BALL, 63/22	1		
9	94303-03050	DOWEL PIN, 3X5	1		

E-17

TRANSMISSION



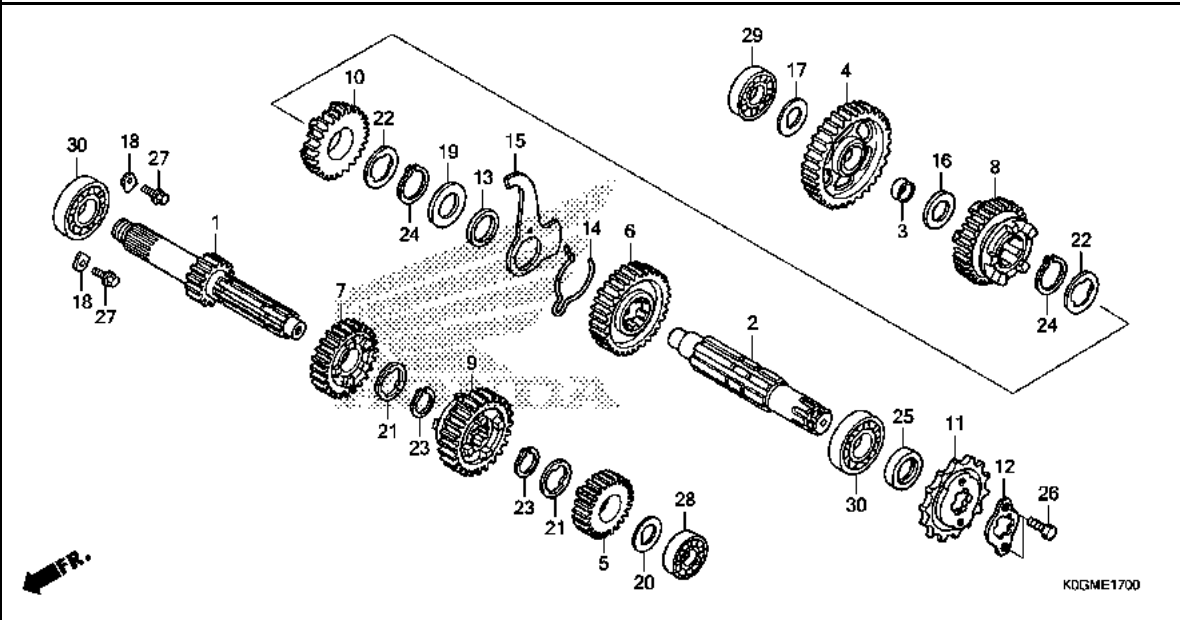
Ref. No.	L.O.N.	(Relative ref. Number) Description	F.R.T.
1		(5,7,9) MAINSHAFT, TRANSMISSION	3.5
		.INCLUDES: Engine removal and installation	
2		210141A .Replace countershaft add	0.2
2		(4,6,8,10) 210142 COUNTERSHAFT, TRANSMISSION ...	3.5
		.INCLUDES: Engine removal and installation	
		210142A .Replace mainshaft add	0.2
11		213135 SPROCKET, DRIVE	0.3
28		2101C2 BEARING, MAINSHAFT :LEFT	4.2
		.INCLUDES: Engine removal and installation	
29		2101C8 BEARING, COUNTERSHAFT :RIGHT ..	4.2
		.INCLUDES: Engine removal and installation	
30		2101C5 BEARING, MAINSHAFT :RIGHT	4.2
		.INCLUDES: Engine removal and installation	
		2101C6 BEARING, MAINSHAFT :BOTH	4.4
		.INCLUDES: Engine removal and installation	
+		2101C7 BEARING, COUNTERSHAFT :LEFT ..	4.2

Ref. No.	Part No.	Description	Reqd. QTY	Serial No.	Parts catalogue code
			C125 K		
1	23211-KPH-900	MAINSHAFT(14T)	1		
2	23221-KPH-900	COUNTERSHAFT	1		
3	23415-KPH-900	BUSH, 15MM	1		
4	23421-KPH-900	GEAR, COUNTERSHAFT FIRST(35T) ..	1		
5	23431-KPH-700	GEAR, MAINSHAFT SECOND(20T) ..	1		
6	23441-KPH-900	GEAR, COUNTERSHAFT SECOND(31T) ..	1		
7	23451-KPH-700	GEAR, MAINSHAFT THIRD(20T) ..	1		
8	23461-KPH-900	GEAR, COUNTERSHAFT THIRD(23T) ..	1		
9	23471-KPH-700	GEAR, MAINSHAFT FOURTH(26T) ..	1		
10	23481-KPH-700	GEAR, COUNTERSHAFT FOURTH(24T) ..	1		
11	23800-K06-900	SPROCKET, DRIVE(14T)	1		
12	23802-GN5-910	PLATE, FIXING	1		
13	23911-KPH-900	COLLAR, LOCK PLATE	1		
14	24305-KPH-900	SPRING, CHANGE FRICTION	1		
15	24306-KPH-900	PLATE, DRUM LOCK	1		
16	90412-187-000	WASHER, THRUST, 15MM	1		
17	90412-KPH-900	WASHER, SPECIAL, 12X23	1		
18	90441-KRM-840	PLATE, BEARING HOLDER	2		
19	90452-413-000	WASHER, THRUST, 20MM	1		
20	90452-KGH-900	WASHER, SPECIAL, 12MM	1		
21	90461-115-000	WASHER, SPLINE, 17MM	2		
22	90461-GB4-770	WASHER, SPLINE, 20X1.2	2		
23	90601-001-000	CIRCLIP, EXTERNAL, 17MM	2		
24	90605-200-000	SET RING, 20MM	2		
25	91204-KPH-902	OIL SEAL, 17X30X5(NOK)	1		

2

E-17

TRANSMISSION



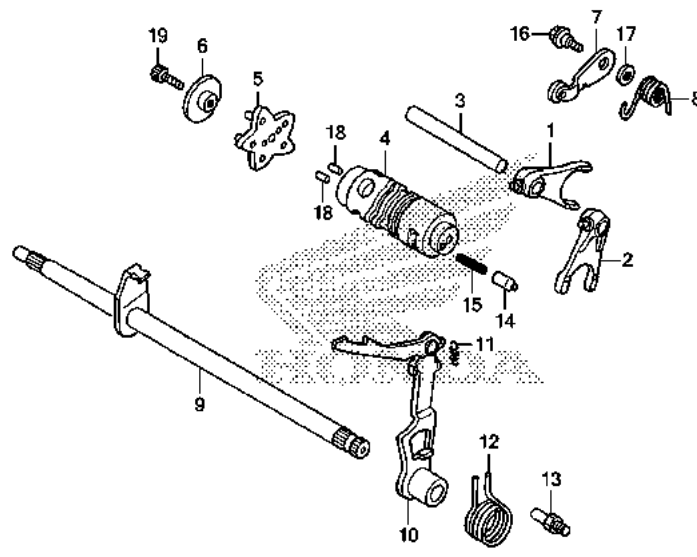
Ref. No.	L.O.N.	(Relative ref. Number) Description	F.R.T.
+30		.INCLUDES: Engine removal and installation	
2101C9		BEARING, COUNTERSHAFT :BOTH ..	4.4
2101D4		BEARING, MAINSHAFT AND COUNTERSHAFT :ALL	4.6
		.INCLUDES: Engine removal and installation	

Ref. No.	Part No.	Description	Reqd. QTY	Serial No.	Parts catalogue code
			C125 K		
26	92101-06010-0A	BOLT, HEX., 6X10	2		
27	95701-06014-00	BOLT, FLANGE, 6X14	2		
28	96100-60010-00	BEARING, RADIAL BALL, 6001 ..	1		
29	96100-62010-00	BEARING, RADIAL BALL, 6201 ..	1		
30	96100-62030-00	BEARING, RADIAL BALL, 6203 ..	2		



E-19

GEARSHIFT DRUM



KOGME1900

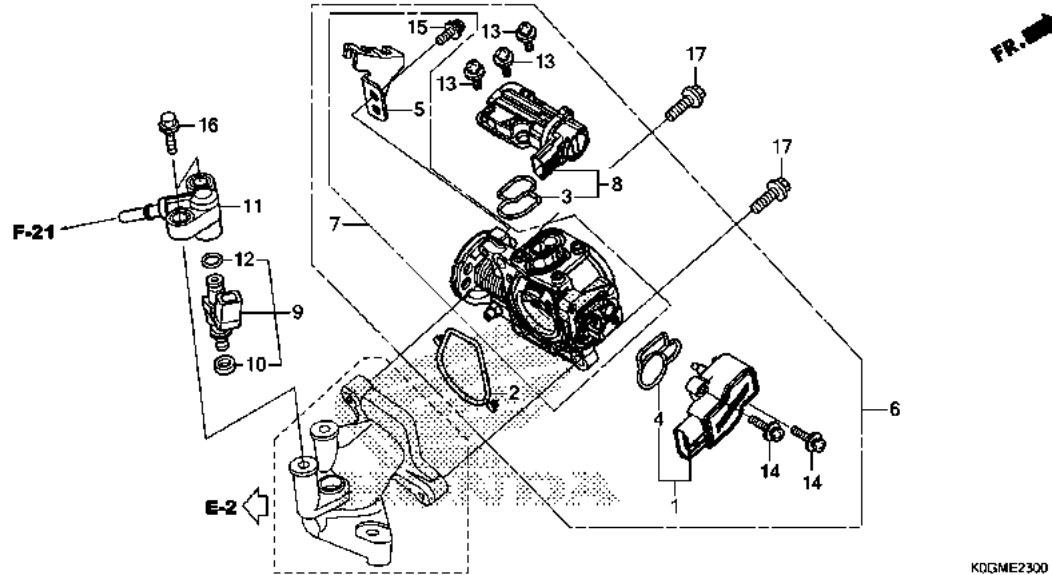
Ref. No.	L.O.N.	(Relative ref. Number) Description	F.R.T.
1	210112	(2) FORK, GEARSHIFT	3.5
.INCLUDES: Engine removal and installation			
.NOTE: Same time for two units			
4	2101A9	DRUM, GEARSHIFT	3.5
.INCLUDES: Engine removal and installation			
5	2101D6	PLATE, GEARSHIFT DRUM STOPPER (8)	1.2
7	210125	STOPPER OR SPRING, SHIFT DRUM	1.2
9	210122	SPINDLE, GEARSHIFT	1.3
10	210127	(12) ARM, GEARSHIFT	1.3

Ref. No.	Part No.	Description	Reqd. QTY	Serial No.	Parts catalogue code
			C125 K		
1	24211-K26-C00	FORK, R. GEARSHIFT	1		
2	24212-K26-C00	FORK, L. GEARSHIFT	1		
3	24241-KPH-900	SHAFT, GEARSHIFT FORK	1		
4	24300-K0G-900	DRUM COMP., GEARSHIFT	1		
5	24410-K0G-900	PLATE COMP., SHIFT DRUM STOPPER	1		
6	24420-K0G-900	HOLDER, DRUM STOPPER	1		
7	24430-KPH-901	STOPPER COMP., GEARSHIFT DRUM	1		
8	24435-KYZ-900	SPRING, SHIFT DRUM STOPPER ..	1		
9	24610-K0G-900	SPINDLE COMP., GEARSHIFT	1		
10	24630-K0G-900	ARM COMP., GEARSHIFT	1		
11	24641-KPH-900	SPRING, GEARSHIFT ARM	1		
12	24651-KPH-900	SPRING, GEARSHIFT RETURN	1		
13	24652-KPH-900	PIN, SHIFT RETURN SPRING	1		
14	35751-K26-920	CAP, CHANGE SWITCH CONTACT ..	1		
15	35752-KPH-900	SPRING, CHANGE SWITCH CONTACT	1		
16	90022-MG8-000	PIVOT, SHIFT DRUM STOPPER ARM	1		
17	90435-HB3-000	WASHER, 6.1MM	1		
18	96220-30085	ROLLER, 3X8.5	2		
19	96600-06016-00	BOLT, SOCKET, 6X16	1		

2

E-23

THROTTLE BODY

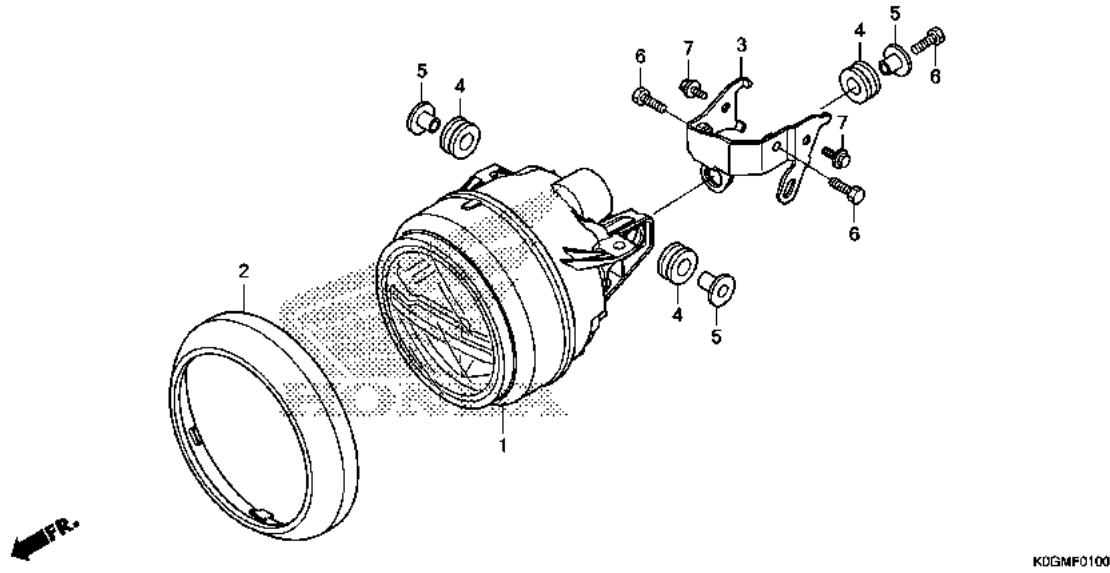


Ref. No.	L.O.N.	(Relative ref. Number) Description	F.R.T.
1		(4)	
617115		SENSOR, THROTTLE	0.5
6		(2)	
311132		BODY ASSY., THROTTLE	0.7
7		BODY, THROTTLE	0.7
8		(3)	
3111N5		VALVE, IDLE AIR CONTROL	0.7
9		(10,11,12)	
311145		INJECTOR, FUEL	0.7

Ref. No.	Part No.	Description	Reqd. QTY	Serial No.	Parts catalogue code
			C125 K		
1	16060-K35-V01	SENSOR SET	1		
2	16075-K35-V01	O-RING, THROTTLE BODY	1		
3	16076-K35-V01	O-RING	1		
4	16077-K35-V01	O-RING	1		
5	16169-K18-901	STAY, WIRE	1		
6	16400-K0G-901	BODY ASSY., THROTTLE(GQYFB A)	1		
7	16410-K0G-901	BODY SET	1		
8	16430-K0G-901	VALVE SET, IDLE AIR CONTROL	1		
9	16450-K76-T61	INJECTOR ASSY., FUEL	1		
10	16472-KPC-D50	RING, SEAL	1		
11	17560-K40-F00	JOINT COMP., INJECTOR	1		
12	91301-GGL-J01	O-RING, 6.3X2.2	1		
13	93891-04010-18	SCREW-WASHER, 4X10	3		
14	93891-04016-18	SCREW-WASHER, 4X16	2		
15	93892-05012-18	SCREW-WASHER, 5X12	1		
16	95701-06022-00	BOLT, FLANGE, 6X22	2		
17	96001-06018-00	BOLT, FLANGE, 6X18	2		

F-1

HEADLIGHT



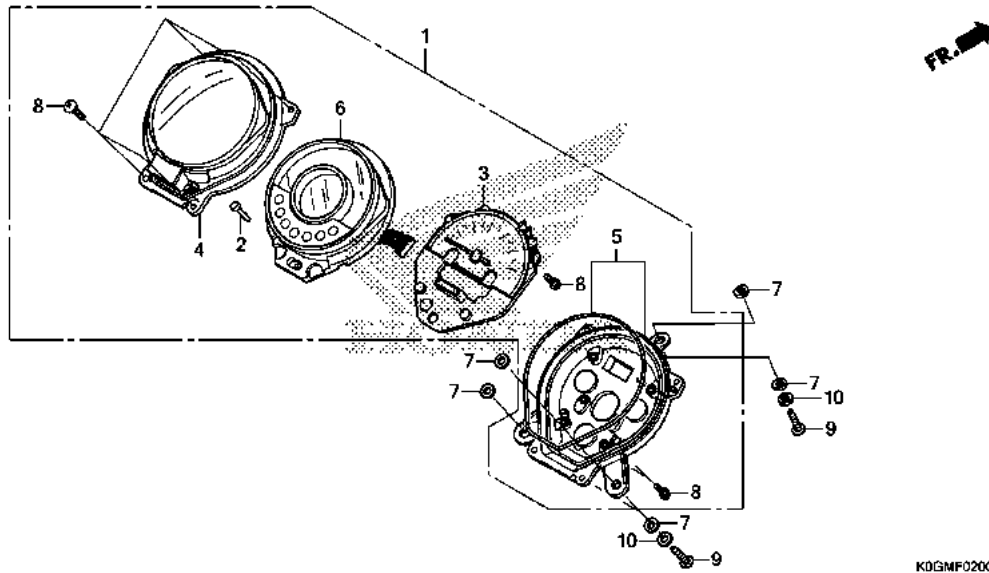
Ref. No.	L.O.N.	(Relative ref. Number) Description	F.R.T.
1	616115	HEADLIGHT ASSEMBLY	0.7
2	616112	RIM, HEADLIGHT	0.3

3

Ref. No.	Part No.	Description	Reqd. QTY C125 K	Serial No.	Parts catalogue code
1	33100-K0G-902	HEADLIGHT ASSY.	1		
2	33102-K0G-900	RIM, HEADLIGHT	1		
3	53115-K0G-900	BRACKET, HEADLIGHT	1		
4	80101-165-000	RUBBER, RR. FENDER CUSHION .. (FOR FR.)	3		
5	90504-K0G-900	COLLAR, HEADLIGHT MOUNTING ..	3		
6	92101-06020-4J	BOLT, HEX., 6X20	3		
7	95701-06012-08	BOLT, FLANGE, 6X12	2		

F-2

METER

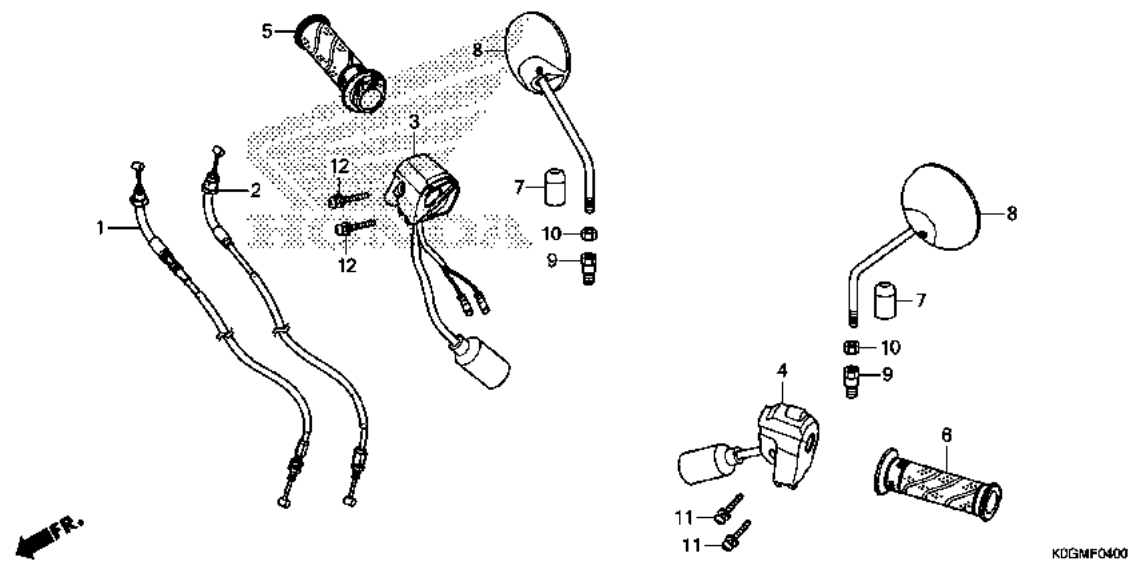


Ref. No.	L.O.N.	(Relative ref. Number) Description	F.R.T.
1	8121A1	METER ASSY., COMBINATION	0.5
3	8121A2	METER, COMBINATION	0.7
4	8121B7	LENS, METER	0.4
5	8121B3	CASE, METER	0.5
6	4131A3	PLATE, REFLECTING	0.7

Ref. No.	Part No.	Description	Reqd. QTY C125 K	Serial No.	Parts catalogue code
1	37100-K0G-901	METER ASSY., COMBINATION(KPH)	1		
2	37104-K0G-901	SHAFT, KEY TOP	1		
3	37210-K0G-901	METER COMP., COMBINATION(KPH)	1		
4	37211-K0G-901	LENS ASSY.	1		
5	37212-K0G-901	CASE ASSY.	1		
6	37230-K0G-901	PLATE ASSY., REFLECTING	1		
7	90503-K0G-900	RUBBER, MOUNTING	6		
8	93903-22420	SCREW, TAPPING, 3X16	13		
9	93903-35410	SCREW, TAPPING, 5X20	3		
10	94101-05000	WASHER, PLAIN, 5MM	3		

F-4

SWITCH/CABLE/MIRROR



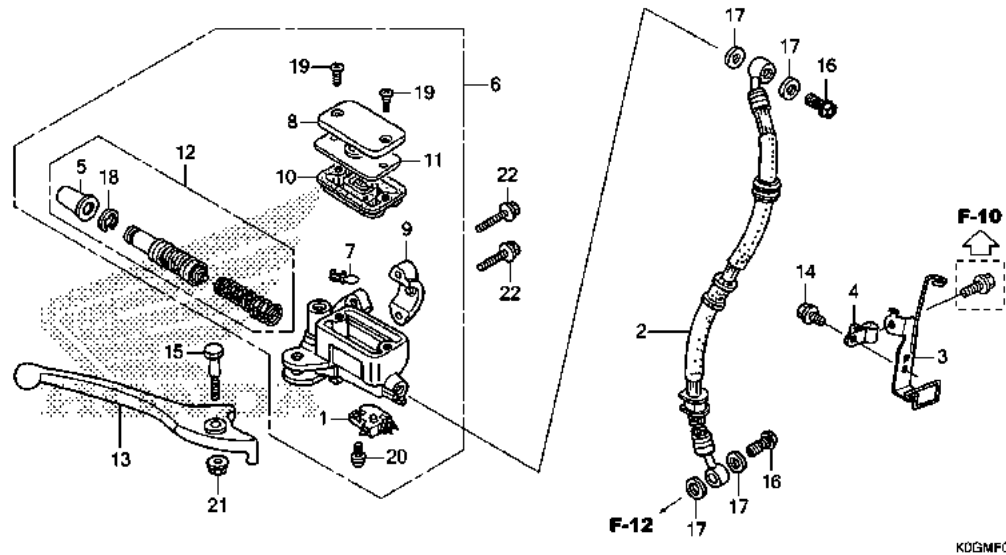
Ref. No.	L.O.N.	(Relative ref. Number) Description	F.R.T.
1		(2) CABLE, THROTTLE	1.1
		.NOTE: Same time for two units	
3	615120	SWITCH, STARTER KILL	1.0
4	615118	SWITCH, WINKER	0.6
5	810150	GRIP, THROTTLE	0.9
6	8101C0	GRIP, HANDLE :LEFT	0.1

Ref. No.	Part No.	Description	Reqd. QTY	Serial No.	Parts catalogue code
			C125 K		
1	17910-K0G-901	CABLE COMP. A, THROTTLE	1		
2	17920-K0G-901	CABLE COMP. B, THROTTLE	1		
3	35150-K0G-901	SWITCH ASSY., STARTER	1		
4	35200-K0G-901	SWITCH ASSY., WINKER	1		
5	53140-K0F-T00	GRIP COMP., THROTTLE	1		
6	53166-K0F-T00	GRIP, L. HANDLE	1		
7	88119-KWW-640	CAP, LOCK NUT	2		
8	88210-K0G-901	MIRROR COMP.	2		
9	90101-KWW-640	BOLT, ADAPTER, 10MM	2		
10	90301-KWW-640	NUT, HEX., 10MM (LEFT HAND THREAD)	2		
11	93892-05020-00	SCREW-WASHER, 5X20	2		
12	93892-05025-00	SCREW-WASHER, 5X25	2		

3

F-5

FRONT BRAKE MASTER CYLINDER

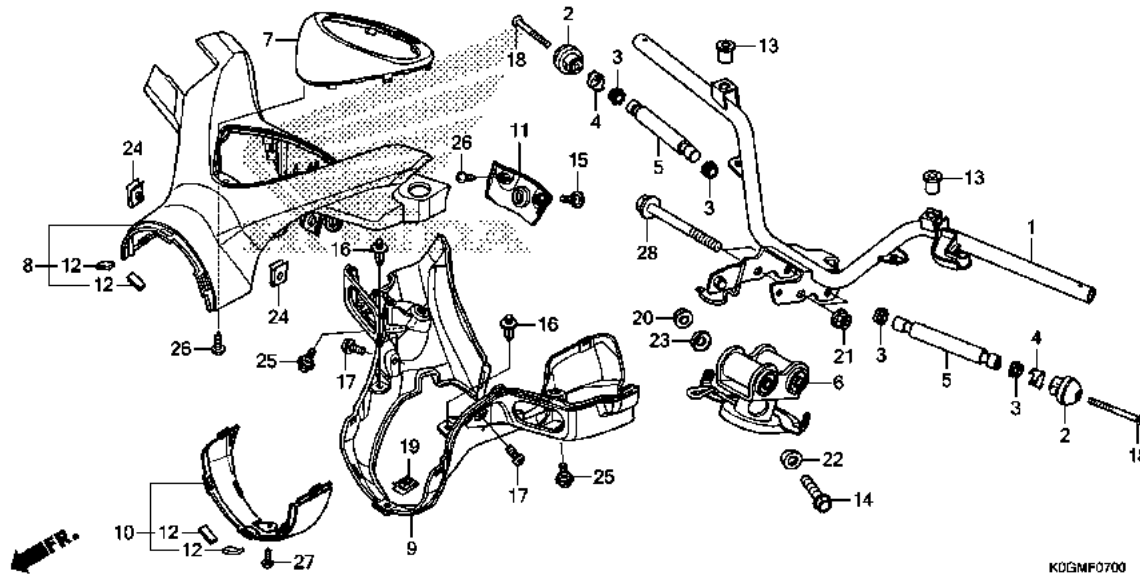


Ref. No.	L.O.N.	(Relative ref. Number) Description	F.R.T.
1	6151B2	SWITCH, FRONT STOP	0.6
2	7121A0	HOSE, FRONT BRAKE	0.7
6	712105	CYLINDER, FRONT BRAKE MASTER . .INCLUDES: Bleed brakes	0.9
10	7121G6	DIAPHRAGM, FRONT BRAKE MASTER CYLINDER	0.1
12	7121G9	PISTON SET, FRONT BRAKE MASTER .INCLUDES: Bleed brakes	0.9
13	8101C7	LEVER, HANDLE :RIGHT	0.1

Ref. No.	Part No.	Description	Reqd. QTY	Serial No.	Parts catalogue code
			C125 K		
1	35340-MGS-D31	SWITCH ASSY., FR. STOP	1		
2	45125-K0G-901	HOSE COMP., FR. BRAKE	1		
3	45156-K0G-900	STAY COMP. A, FR. BRAKE HOSE	1		
4	45157-K0G-900	CLAMPER, FR. BRAKE HOSE	1		
5	45504-410-003	BOOT COMP.	1		
6	45510-K0G-901	CYLINDER SUB ASSY., FR. BRAKE MASTER(NISSIN)	1		
7	45512-MA6-006	PROTECTOR	1		
8	45513-HA2-006	CAP, MASTER CYLINDER	1		
9	45517-K0G-901	HOLDER, MASTER CYLINDER	1		
10	45520-GE2-006	DIAPHRAGM	1		
11	45521-K21-901	PLATE, DIAPHRAGM	1		
12	45530-KVS-M21	CYLINDER SET, FR. MASTER (NISSIN)	1		
13	53175-K26-901	LEVER, R. STEERING HANDLE ...	1		
14	90106-MBZ-600	BOLT, FLANGE, 6X10	1		
15	90114-KGH-900	BOLT, HANDLE LEVER PIVOT	1		
16	90145-MS9-612	BOLT, OIL, 10X22(SAGA)	2		
17	90545-300-000	WASHER, OIL BOLT	4		
18	90651-K03-M61	CIRCLIP, INTERNAL, 18.8	1		
19	93600-04012-1G	SCREW, FLAT, 4X12	2		
20	93893-04012-17	SCREW-WASHER, 4X12	1		
21	94050-06000	NUT, FLANGE, 6MM	1		
22	96001-06022-00	BOLT, FLANGE, 6X22	2		

F-7

HANDLE PIPE/HANDLE COVER



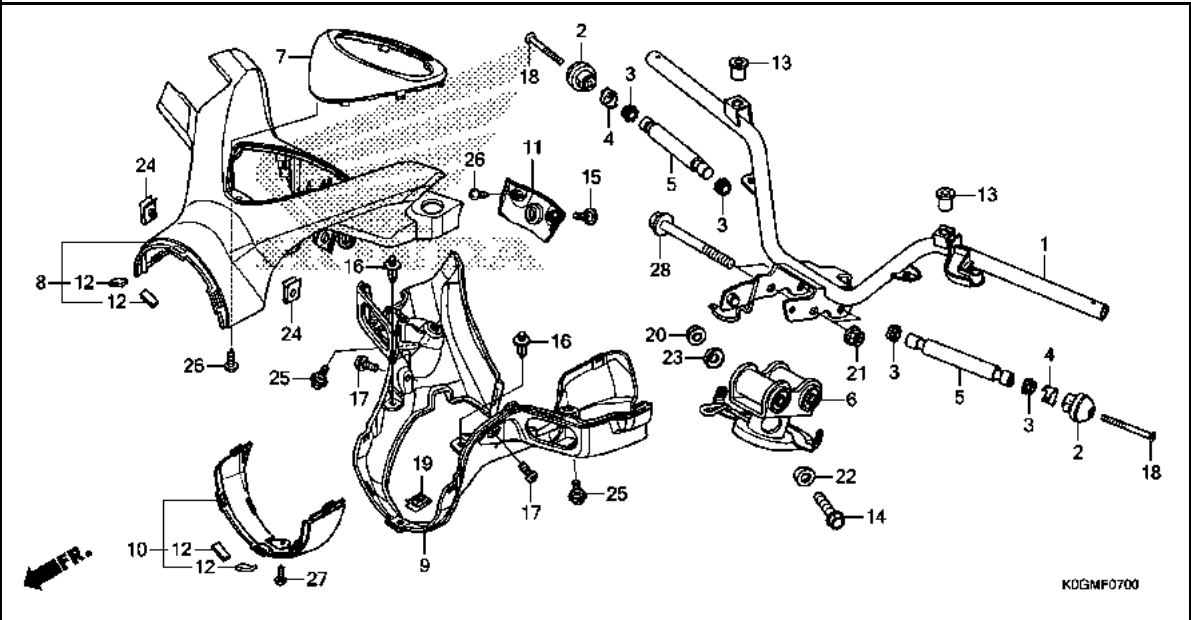
Ref. No.	L.O.N.	(Relative ref. Number) Description	F.R.T.
1	810100	PIPE, STEERING HANDLE	0.9
5		(3,4)	
	8101D6	WEIGHT B, HANDLE :LEFT	0.2
	8101D7	WEIGHT B, HANDLE :RIGHT	0.9
	8101D8	WEIGHT B, HANDLE :BOTH	1.0
6	5101C8	POST, HANDLE	0.8
7	8121E6	COVER, SPEEDOMETER	0.5
8	4131X1	COVER, HANDLE :UPPER	0.5
9	4131X2	COVER, HANDLE :LOWER	0.5
	4131U1	COVER, HANDLE :BOTH	0.6
10	4131FX	COVER, HEADLIGHT :LOWER	0.3
11	4131B6	COVER, HANDLE :REAR	0.4

3

Ref. No.	Part No.	Description	Reqd. QTY	Serial No.	Parts catalogue code
			C125 K		
1	53100-KOG-901	PIPE COMP., STEERING HANDLE .	1		
2	53105-KOG-900	WEIGHT A, STEERING HANDLE ...	2		
3	53106-KR3-770	RUBBER A, HANDLE WEIGHT	4		
4	53108-KR3-770	RING, HANDLE WEIGHT SNAP	2		
5	53125-KYZ-900	WEIGHT B, STEERING HANDLE ...	2		
6	53130-KOG-900	POST ASSY., HANDLE	1		
7	53204-KOG-900	COVER, SPEEDOMETER	1		
8	53205-KOG-901ZA	COVER COMP., HANDLE UPPER			
	R376P.....PEARL NEBULA RED		1		
	PB415P...PEARL NILTAVA BLUE		1		
	53205-KOG-901ZB				
	NHB98P..PEARL SHINING BLACK		1		
9	53206-KOG-901	COVER, HANDLE LOWER	1		
10	53207-KOG-901ZA	COVER COMP., HEADLIGHT UNDER			
	R376P.....PEARL NEBULA RED		1		
	PB415P...PEARL NILTAVA BLUE		1		
	53207-KOG-901ZB				
	NHB98P..PEARL SHINING BLACK		1		
11	53208-KOG-900	COVER, RR. HANDLE	1		
12	53209-KOG-900	RUBBER, HANDLE COVER	4		
13	61312-149-300	BOOT, HEADLIGHT BRACKET	2		
14	90102-KWW-640	BOLT, FLANGE, 10X48	1		
15	90103-KPH-900	SCREW, SPECIAL, 5MM	1		
16	90116-MCS-600	RIVET, PUSH	2		
17	90119-KOG-900	BOLT, SPECIAL, 5X12	2		
18	90191-K29-900	SCREW, OVAL, 6X45	2		
19	90302-SA4-003	NUT, SPRING, 4MM	1		
20	90304-KGH-901	NUT, U, 10MM	1		

F-7

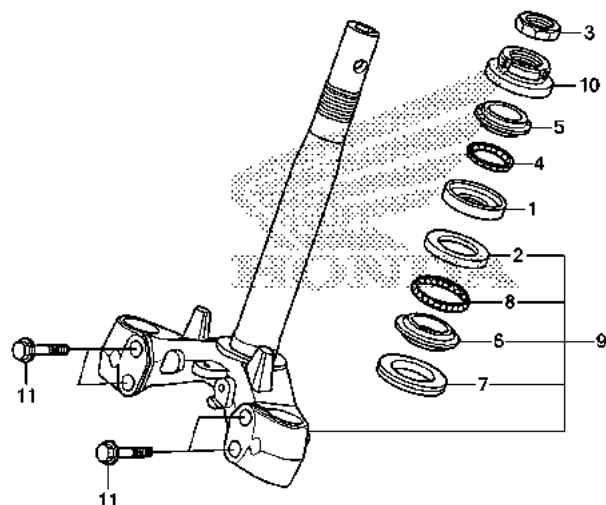
HANDLE PIPE/HANDLE COVER



Ref. No.	Part No.	Description	Reqd. QTY		Serial No.	Parts catalogue code
			C125	K		
21	90309-KF0-003	NUT, FLANGE, 8MM	2			
22	90501-KPH-880	COLLAR A, HANDLE SETTING	1			
23	90505-KPH-880	COLLAR B, HANDLE SETTING	1			
24	90677-KAN-T00	NUT, CLIP, 5MM	2			
25	91509-GE2-760	SCREW, PAN, 5X11.5	2			
26	93903-34210	SCREW, TAPPING, 4X10	4			
27	93903-34380	SCREW, TAPPING, 4X12	1			
28	95801-08070-00	BOLT, FLANGE, 8X70	2			

F-9

STEERING STEM



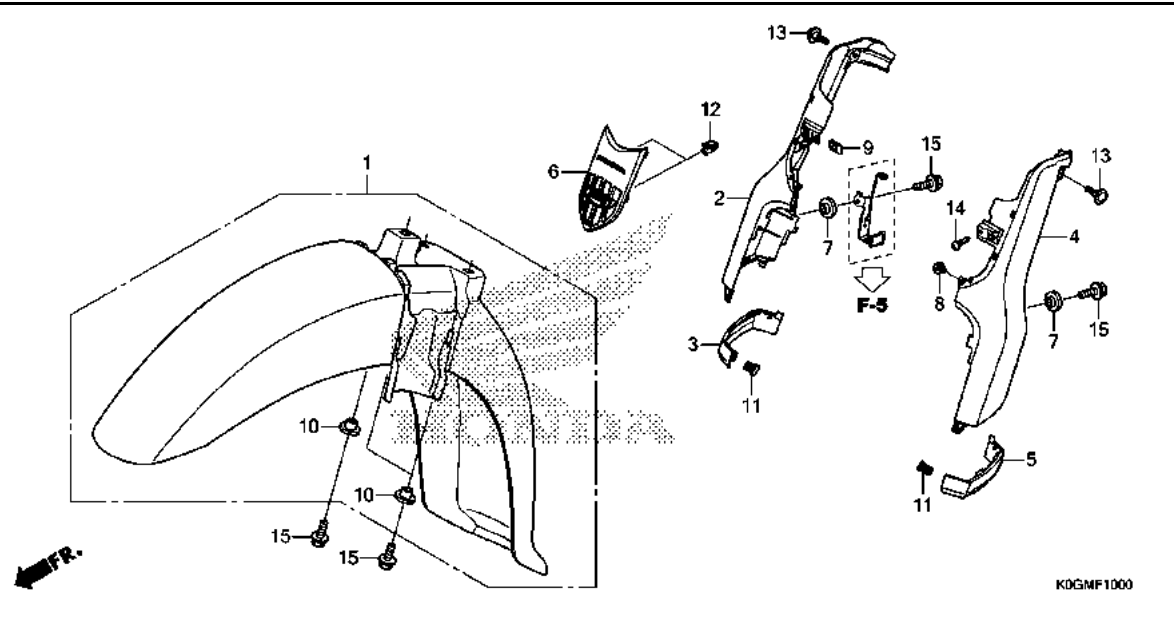
Ref. No.	L.O.N.	(Relative ref. Number) Description	F.R.T.
1		(4) RACE, STEERING BALL :UPPER ...	1.6
2		RACE, STEERING BALL :LOWER ...	1.8
		5101C9 RACE, STEERING BALL :BOTH	1.8
5		5101A9 RACE, STEERING TOP CONE	1.6
6		(7,8) RACE, STEERING BOTTOM CONE ...	1.8
9		5101B0 RACE, STEERING BOTTOM CONE ...	1.8
		9 510100 STEM OR SHAFT ASSY., STEERING	1.6
10		5101B2 THREAD, STEERING HEAD TOP	1.4

K03MF0900

Ref. No.	Part No.	Description	Reqd. QTY C125 K	Serial No.	Parts catalogue code
1	50301-GN5-901	RACE, STEERING TOP BALL	1		
2	50302-GN5-900	RACE, STEERING BOTTOM BALL ..	1		
3	50306-KVR-C00	NUT, STEERING STEM LOCK	1		
4	53210-K93-T01	BALL ASSY., STEERING(SKF) ... (UPPER)	1		
5	53211-GN5-900	RACE, STEERING TOP CONE	1		
6	53212-GN5-900	RACE, STEERING BOTTOM CONE ..	1		
7	53214-GN5-900	DUST SEAL, STEERING HEAD	1		
8	53215-K93-T01	BALL ASSY., STEERING(SKF) ... (LOWER)	1		
9	53219-K0G-900	STEM SUB ASSY., STEERING	1		
10	53220-GN5-850	THREAD COMP., STEERING HEAD TOP	1		
11	95801-10045-08	BOLT, FLANGE, 10X45	4		

F-10

FRONT FENDER



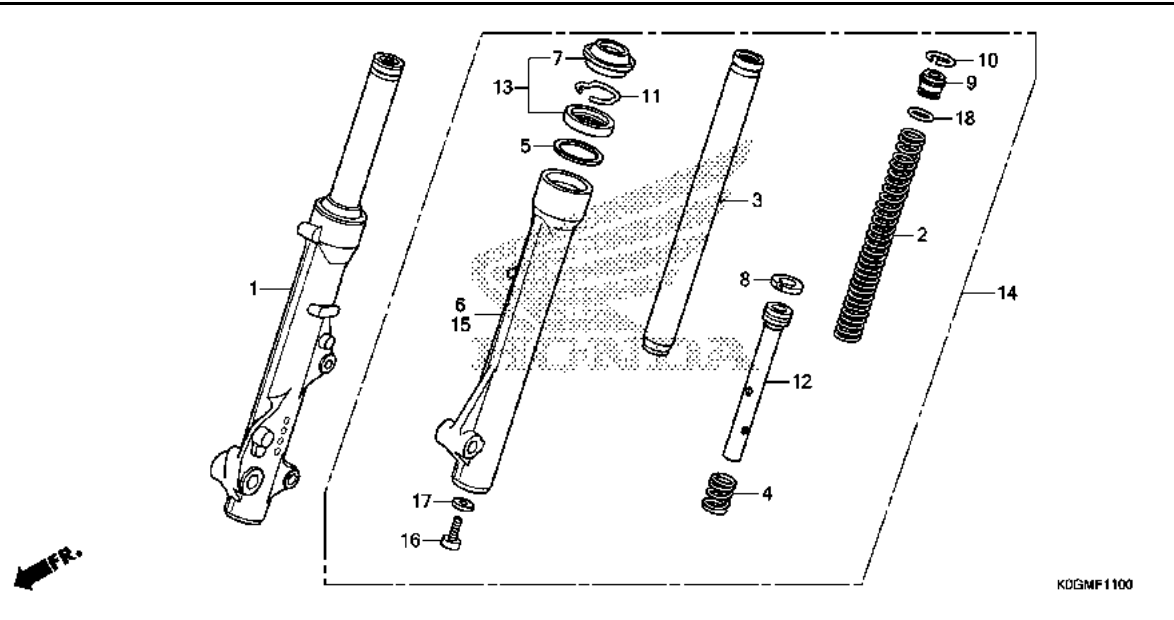
Ref. No.	L.O.N.	(Relative ref. Number) Description	F.R.T.
1	4131B7	FENDER, FRONT	0.3
2		(3)	
4	4131V9	COVER, FRONT FORK :RIGHT	0.2
4		(5)	
	4131V8	COVER, FRONT FORK :LEFT	0.2
	5111F3	COVER, FRONT FORK :BOTH	0.3
6	4111BE	GARNISH, FRONT COVER	0.1

Ref. No.	Part No.	Description	Reqd. QTY	Serial No.	Parts catalogue code
			C125 K		
1	61100-K0G-900ZA	FENDER, FR.			
		R376P.....PEARL NEBULA RED	1		
	61100-K0G-900ZB	*PB415P*...PEARL NILTAVA BLUE	1		
	61100-K0G-900ZC	*NHB98P*..PEARL SHINING BLACK	1		
2	61150-K0G-900ZA	COVER, R. FR. FORK			
		R376P.....PEARL NEBULA RED	1		
	61150-K0G-900ZB	*PB415P*...PEARL NILTAVA BLUE	1		
	61150-K0G-900ZC	*NHB98P*..PEARL SHINING BLACK	1		
3	61155-K0G-900	GARNISH, R. FR. FORK	1		
4	61160-K0G-900ZA	COVER, L. FR. FORK			
		R376P.....PEARL NEBULA RED	1		
	61160-K0G-900ZB	*PB415P*...PEARL NILTAVA BLUE	1		
	61160-K0G-900ZC	*NHB98P*..PEARL SHINING BLACK	1		
5	61165-K0G-900	GARNISH, L. FR. FORK	1		
6	64300-K0G-900ZA	GARNISH SET, FR. TOP(WL)			
		TYPE1.....	1		
7	81312-KPH-900	COLLAR, FR. FENDER	2		
8	90116-K0A-E11	RIVET, PUSH, 6MM	1		
9	90302-KWW-A00	NUT, SPRING, 4MM	1		
10	90503-KBP-900	COLLAR, MAIN SIDE COVER	3		
11	90651-K14-A31	CLIP, SLIDE	2		
12	90666-K59-A11	CLIP, SNAP FITTING(PO)	2		
13	91509-GE2-760	SCREW, PAN, 5X11.5	2		
14	93903-24410	SCREW, TAPPING, 4X16	1		
15	96001-06014-00	BOLT, FLANGE, 6X14	5		



F-11

FRONT FORK



Ref. No.	L.O.N.	(Relative ref. Number) Description	F.R.T.
1	5111C3	FORK ASSY., FRONT :RIGHT	0.4
2	5111C5	SPRING, FRONT FORK :LEFT	0.6
	5111C6	SPRING, FRONT FORK :RIGHT	0.6
	5111C7	SPRING, FRONT FORK :BOTH	0.9
3		(4,8,12)	
	5111G2	PIPE, FRONT FORK :LEFT	0.7
	5111G3	PIPE, FRONT FORK :RIGHT	0.7
	5111G4	PIPE, FRONT FORK :BOTH	1.1
6	5111D2	CASE, BOTTOM :RIGHT	0.8
13	5111E7	SEAL SET, FRONT FORK :LEFT ...	0.8
	5111E8	SEAL SET, FRONT FORK :RIGHT ..	0.8
	5111E9	SEAL SET, FRONT FORK :BOTH ...	1.3
14	5111C2	FORK ASSY., FRONT :LEFT	0.4
	5111C4	FORK ASSY., FRONT :BOTH	0.5
15	5111D1	CASE, BOTTOM :LEFT	0.8
	5111D3	CASE, BOTTOM :BOTH	1.3

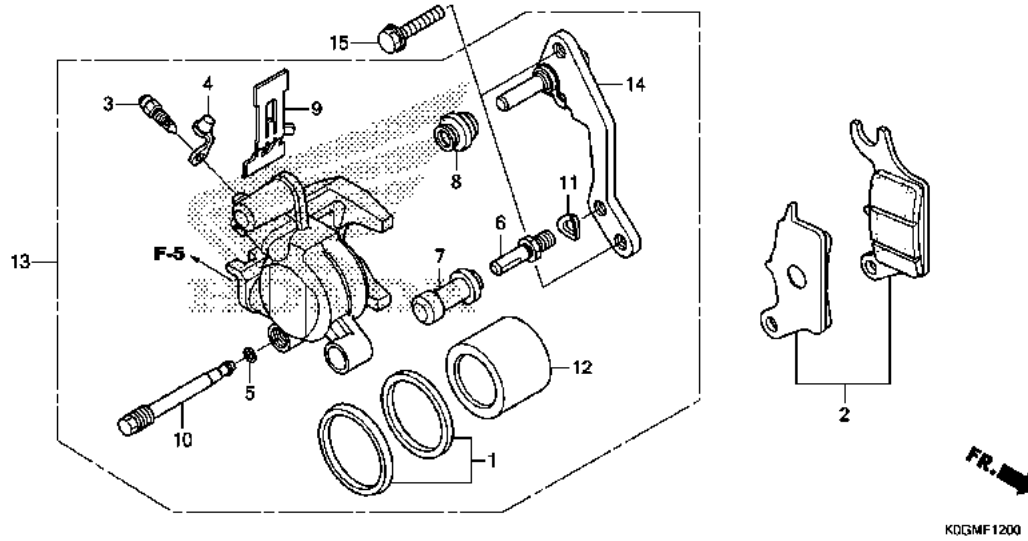
K0GMF1100

Ref. No.	Part No.	Description	Reqd. QTY	Serial No.	Parts catalogue code
			C125 K		
1	51400-K0G-901	FORK ASSY., R. FR.(SHOWA) ...	1		
2	51401-K0G-901	SPRING, FR. FORK(SHOWA)	2		
3	51410-K0G-901	PIPE COMP., FR. FORK(SHOWA) ..	2		
4	51412-GN5-901	SPRING, REBOUND(SHOWA)	2		
5	51412-KWB-601	RING, BACK UP	2		
6	51420-K0G-901	CASE COMP., R. FR. BOTTOM (SHOWA)	1		
7	51425-GN5-901	SEAL, DUST(SHOWA)	2		
8	51437-KWB-601	RING, PISTON	2		
9	51454-KEV-881	SEAT B, SPRING	2		
10	51456-KPH-901	RING, STOPPER	2		
11	51466-065-901	RING, OIL SEAL STOPPER(SHOWA)	2		
12	51470-K0G-901	PIPE, SEAT(SHOWA)	2		
13	51490-KGH-901	SEAL SET, FR. FORK(SHOWA) ...	2		
14	51500-K0G-901	FORK ASSY., L. FR.(SHOWA) ...	1		
15	51520-K0G-901	CASE COMP., L. FR. BOTTOM (SHOWA)	1		
16	90116-KV3-701	BOLT, SOCKET, 8MM(SHOWA)	2		
17	90544-283-000	WASHER, SPECIAL, 8MM(SHOWA) ..	2		
18	91356-GM0-003	O-RING, 15.8X2.4(SHOWA)	2		

3

F-12

FRONT BRAKE CALIPER



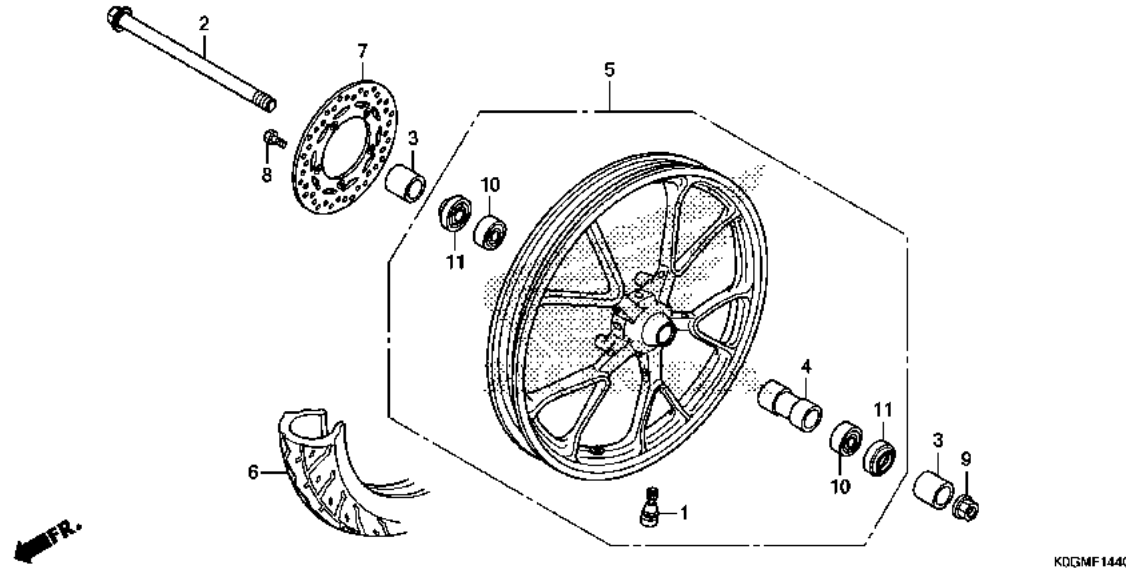
Ref. No.	L.O.N.	(Relative ref. Number) Description	F.R.T.
2	711115	SHOE(PAD) SET, BRAKE :FRONT .. (1)	0.1
12	7111D1	PISTON, FRONT BRAKE CALIPER .. .INCLUDES: Bleed brakes	0.5
13	711130	CALIPER, FRONT BRAKEINCLUDES: Bleed brakes	0.4
14	7111G0	BRACKET, FRONT CALIPER	0.2

Ref. No.	Part No.	Description	Reqd. QTY	Serial No.	Parts catalogue code
			C125 K		
1	06451-961-405	SEAL SET, PISTON	1		
2	06455-KWB-601	PAD SET, FR.	1		
3	43352-568-003	SCREW, BLEEDER(NISSIN)	1		
	43352-K81-N01	SCREW, BLEEDER	1		
4	43353-461-771	CAP, BLEEDER	1		
5	45111-MAJ-G41	RING, STOPPER	1		
6	45131-GZO-006	BOLT, PIN	1		
	45131-K81-N01	1		
7	45132-166-016	BOOT, PIN BUSH(NISSIN)	1		
8	45133-MA3-006	BOOT B	1		
9	45208-KWB-601	SPRING, PAD	1		
10	45215-KPH-951	PIN, HANGER	1		
11	45216-166-006	WASHER, WAVE	1		
12	45218-KWB-601	PISTON	1		
13	45250-KOG-901	CALIPER SUB ASSY., R. FR. (NISSIN)	1		
14	45290-KWB-601	BRACKET SUB ASSY., FR.	1		
15	90131-KGH-900	BOLT, FLANGE, 8X25	2		



F-14-40

FRONT WHEEL



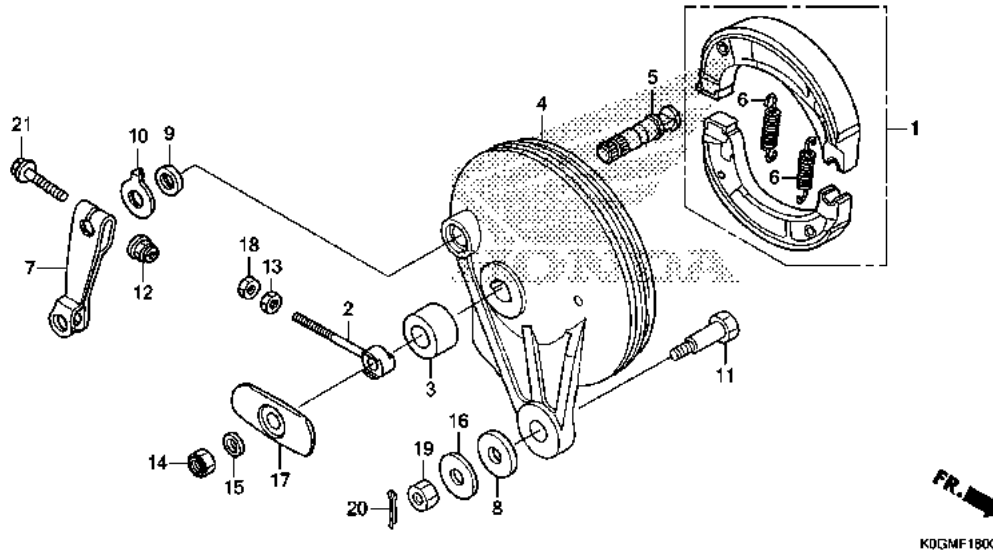
Ref. No.	L.O.N.	(Relative ref. Number) Description	F.R.T.
2		(11)	
710151		AXLE, FRONT WHEEL	0.2
5	7101D4	FRONT WHEEL	0.6
6	710139	FRONT TIRE(ONE)	0.5
7	711120	DISC, FRONT BRAKE	0.3
10	710115	BEARING, FRONT WHEEL(ONE)	0.4
	710115G	.ReplacE 1 bearing add	0.1

3

Ref. No.	Part No.	Description	Reqd. QTY	Serial No.	Parts catalogue code
			C125 K		
1	42753-GM9-743	VALVE, RIM(IRC)	1		
2	44301-KZV-L00	AXLE, FR. WHEEL	1		
3	44311-K0G-900	COLLAR, FR. WHEEL SIDE	2		
4	44620-K0G-900	COLLAR, FR. AXLE DISTANCE ...	1		
5	44650-K0G-900ZA	WHEEL SUB ASSY., FR. *NHC14M* METAMORPHIC GRAY METALLIC	1		
6	44711-K0G-901	TIRE, FR.(IRC) (70/90-17M/C 38P)	1		
7	45251-K0G-901	DISK, FR. BRAKE	1		
8	90105-KZZ-900	BOLT, DISK, 6X17	5		
9	90306-KWN-701	NUT, U, 12MM	1		
10	91051-K03-H32	BEARING, RADIAL BALL, 6201UU (NSK)	2		
	91051-K03-H33	BEARING, RADIAL BALL, 6201UU (FAG)	2		
11	91251-KZR-601	DUST SEAL, 21X32X5(ARAI)	2		

F-18

REAR BRAKE PANEL

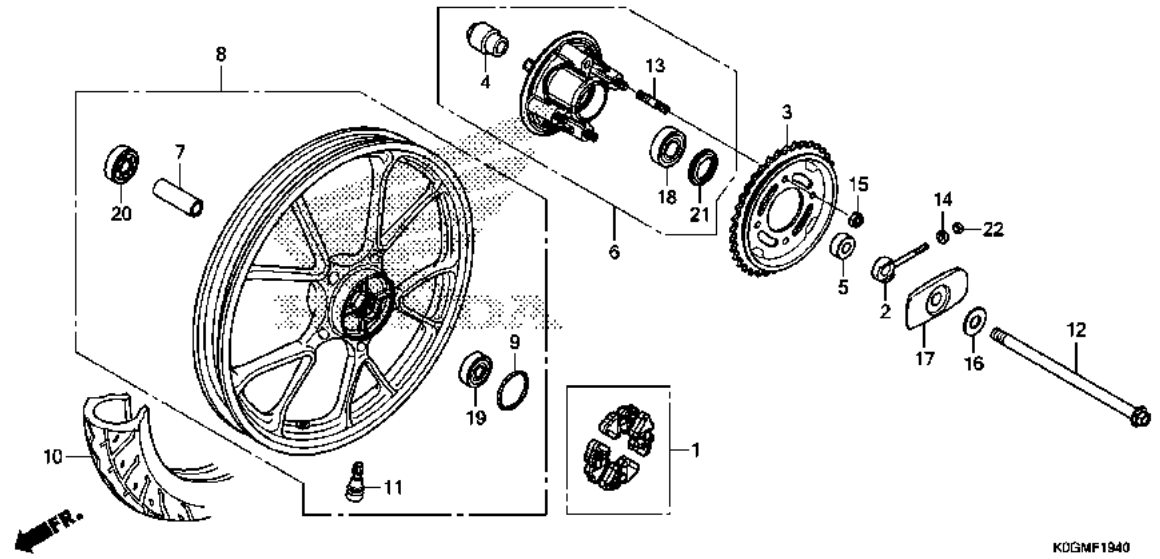


Ref. No.	L.O.N.	(Relative ref. Number) Description	F.R.T.
1	711140	SHOE(PAD) SET, BRAKE :REAR ...	0.4
4	7111A9	PANEL, REAR BRAKE	0.5
5	7111B4	CAM, BRAKE :REAR	0.5
7	7111C4	ARM, BRAKE :REAR	0.1

Ref. No.	Part No.	Description	Reqd. QTY C125 K	Serial No.	Parts catalogue code
1	06430-GGZ-J00	SHOE SET, BRAKE(JB)	1		
2	40543-K0G-900	ADJUSTER COMP., CHAIN	1		
3	42313-K0G-900	COLLAR, RR. BRAKE PANEL SIDE	1		
4	43100-KWW-640ZK	PANEL COMP., RR. BRAKE *NHC14M*	1		
5	43141-K0G-900	METAMORPHIC GRAY METALLIC CAM, RR. BRAKE	1		
6	43151-110-000	SPRING, BRAKE SHOE	2		
7	43410-K41-N00	ARM, RR. BRAKE	1		
8	43434-ME1-670	RUBBER, STOPPER ARM	1		
9	45134-250-000	DUST SEAL, BRAKE CAM	1		
10	45145-KFM-900	INDICATOR, FR. BRAKE	1		
		(FOR RR.)			
11	90126-KWB-600	BOLT A, STOPPER ARM	1		
12	90301-KGH-901	NUT, U, 6MM(FUJI SEIMITSU) ..	1		
13	90302-KZV-J00	NUT, SPECIAL, 6MM	1		
14	90306-K0G-901	NUT, U, 12MM	1		
15	90501-K0G-900	WASHER, RR. AXLE	1		
16	90505-425-000	WASHER, 8MM	1		
17	90559-K0G-900	PLATE, SWINGARM SIDE	1		
18	94001-06000-0S	NUT, HEX., 6MM	1		
19	94001-08000-0S	NUT, HEX., 8MM	1		
20	94201-20150	PIN, SPLIT, 2.0X15	1		
21	95701-06035-00	BOLT, FLANGE, 6X35	1		

F-19-40

REAR WHEEL

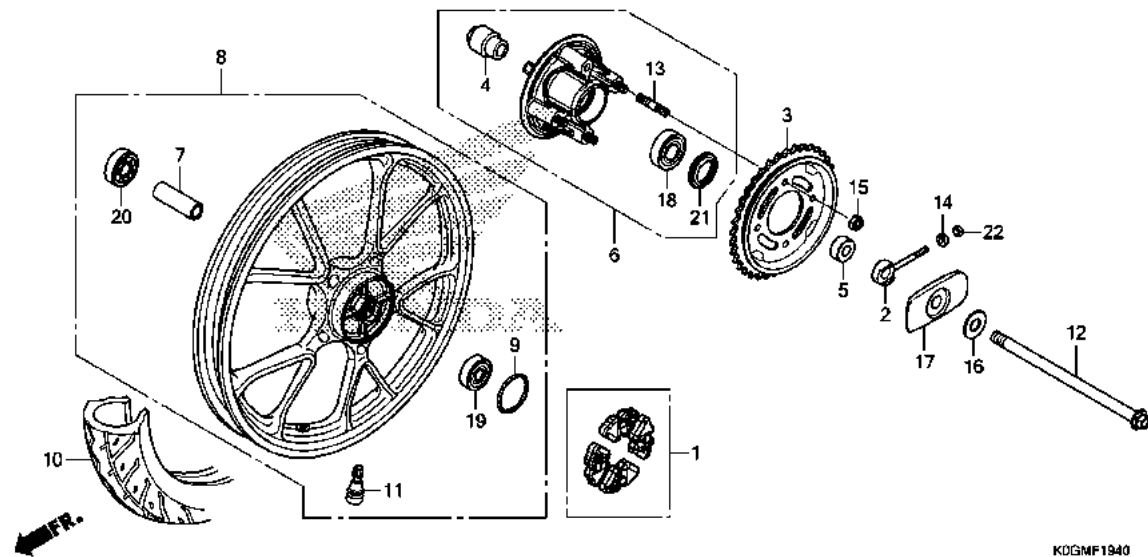


Ref. No.	L.O.N.	(Relative ref. Number) Description	F.R.T.
1		(9)	
1	710157	DAMPER, REAR WHEEL	0.3
3	7101A0	SPROCKET, FINAL DRIVEN	0.4
6	7101A5	FLANGE ASSY., FINAL DRIVEN ...	0.4
8	710118	REAR WHEEL	0.6
10	710142	REAR TIRE(ONE)	0.6
12		(21)	
12	710160	AXLE, REAR WHEEL	0.3
18	7101D1	BEARING, FINAL DRIVEN FLANGE -	0.5
19		(20)	
19	710133	BEARING, REAR WHEEL(ONE)	0.5
	710133G	.Replace 1 bearing add	0.1

Ref. No.	Part No.	Description	Reqd. QTY C125 K	Serial No.	Parts catalogue code
1	06410-KWB-600	DAMPER SET, WHEEL	1		
2	40543-KOG-900	ADJUSTER COMP., CHAIN	1		
3	41200-KOG-900	SPROCKET COMP., FINAL DRIVEN (36T)	1		
4	42303-KWW-B60	SLEEVE, RR. WHEEL	1		
5	42304-KOG-900	COLLAR, RR. WHEEL SIDE	1		
6	42615-K58-N40	FLANGE SUB ASSY., FINAL DRIVEN	1		
7	42620-KFL-850	COLLAR, RR. AXLE DISTANCE ...	1		
8	42650-KOG-900ZA	WHEEL SUB ASSY., RR. *NHC14M*	1		
9	42653-001-004	O-RING, 40.5X3 (NIPPON DUST KEEPER)	1		
10	42711-KOG-901	TIRE, RR.(IRC) (80/90-17M/C 50P)	1		
11	42753-GM9-743	VALVE, RIM(IRC)	1		
12	44301-K01-900	AXLE, FR. WHEEL	1		
		(FOR RR.)	1		
13	90128-KWB-600	BOLT, STUD, 8X18	4		
14	90302-KZV-J00	NUT, SPECIAL, 6MM	1		
15	90309-KPH-971	NUT, U, 8MM(FUJI SEIMITSU) ..	4		
16	90501-KOG-900	WASHER, RR. AXLE	1		
17	90559-KOG-900	PLATE, SWINGARM SIDE	1		
18	91051-K35-V03	BEARING, RADIAL BALL, 6203UU (FUJIKOSHI)	1		

F-19-40

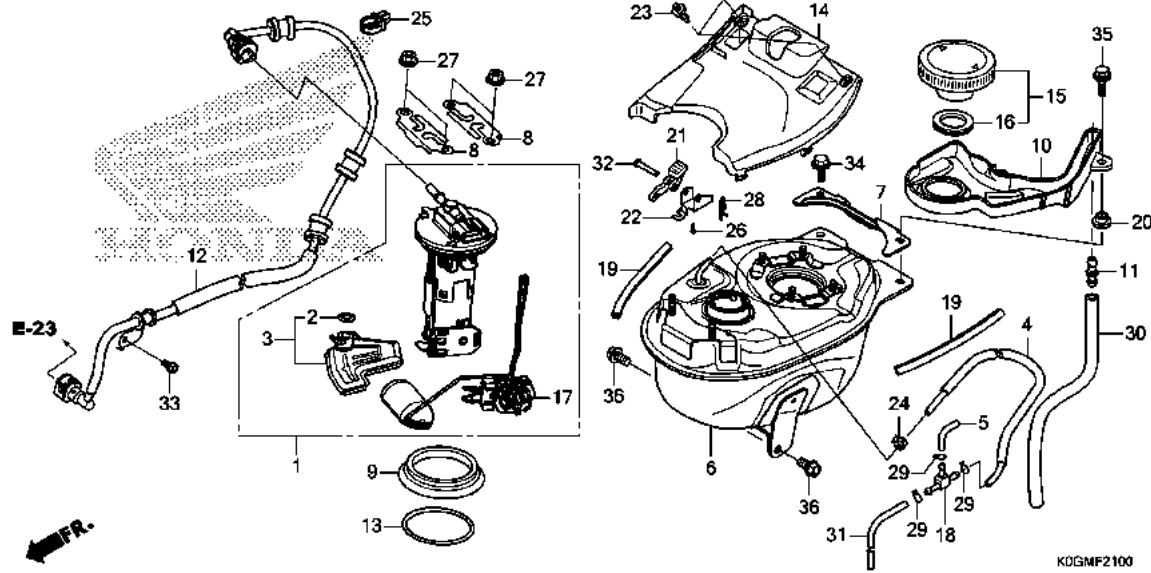
REAR WHEEL



Ref. No.	Part No.	Description	Reqd. QTY	Serial No.	Parts catalogue code
			C125 K		
18)	91051-K35-V04	BEARING, RADIAL BALL, 6203UU (FAG)	1		
	19	91052-K24-901 BEARING, RADIAL BALL(6201U L) (NSK)	1		
		91052-K24-904 BEARING, RADIAL BALL(6201U L) (FAG)	1		
	20	91053-K03-H02 BEARING, RADIAL BALL(6301U L) (FAG)	1		
		91055-KVS-F02 BEARING, RADIAL BALL(6301U L) (NSK)	1		
	21	91251-KGH-902 DUST SEAL, 27X40X4.5(NOK)	1		
	22	94001-06000-0S NUT, HEX., 6MM	1		

F-21

FUEL TANK/FUEL PUMP

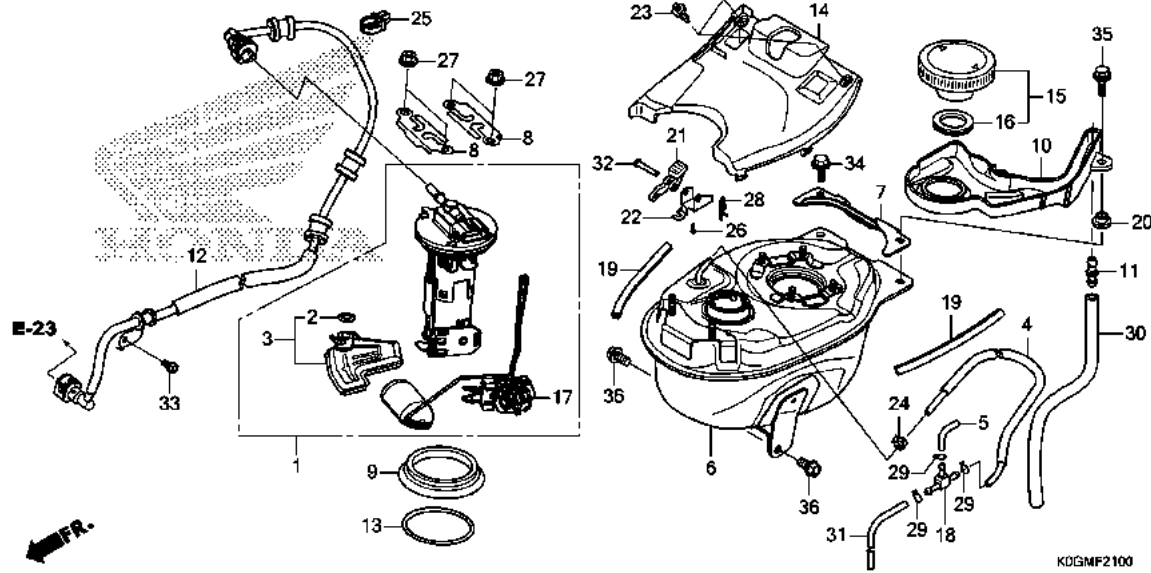


Ref. No.	L.O.N.	(Relative ref. Number) Description	F.R.T.
1		(9,13)	
310120		PUMP ASSY., FUEL	0.5
3		(2)	
3101C7		FILTER, FUEL	0.6
6 310100		TANK, FUEL	0.8
12 310162		HOSE, FUEL FEED	0.9
14 413121		COVER, FUEL TANK TOP	0.1
17 617105		FUEL TANK SENDING UNIT	0.6

Ref. No.	Part No.	Description	Reqd. QTY	Serial No.	Parts catalogue code
			C125 K		
1	16700-K0G-901	PUMP ASSY., FUEL	1		
2	16706-K81-N01	O-RING(P7)	1		
	16706-KVB-S51	1		
3	16707-KZV-T01	FILTER SET	1		
4	17411-K0G-900	TUBE, CHARGE	1		
5	17413-K0G-920	TUBE, AIR	1		
6	17510-K0G-900	TANK COMP., FUEL	1		
7	17511-K0G-900	PATCH, FUEL TANK	1		
8	17517-GGL-J00	RETAINER, FUEL PUMP	2		
9	17518-GHB-601	SEAL, DUST(OHTUKA POLY-TECH)	1		
10	17525-K0G-900	TRAY, FUEL	1		
11	17525-KBN-900	JOINT, FUEL TUBE	1		
12	17570-K0G-901	HOSE COMP., FUEL FEED	1		
13	17572-GHB-601	O-RING, FUEL PUMP(ARAI)	1		
14	17575-K0G-900	COVER, FUEL TANK	1		
15	17620-K01-901	CAP COMP., FUEL FILLER	1		
16	17632-383-831	PACKING, FUEL FILLER CAP	1		
17	37800-K0G-901	FUEL UNIT	1		
18	38581-K26-B00	JOINT, TUBE(T)	1		
19	64415-KPH-900	RUBBER, BODY COVER SETTING ..	2		
20	81202-K81-N00	COLLAR, LUGGAGE BOX	1		
21	83440-K0G-900	LEVER, SIDE COVER	1		
22	83450-K0G-900	STAY, SIDE COVER CABLE	1		
23	90116-SP0-003	CLIP, BUMPER SEAL	2		
24	90652-KSJ-A21	CLAMP, TUBE(8.0)	1		

F-21

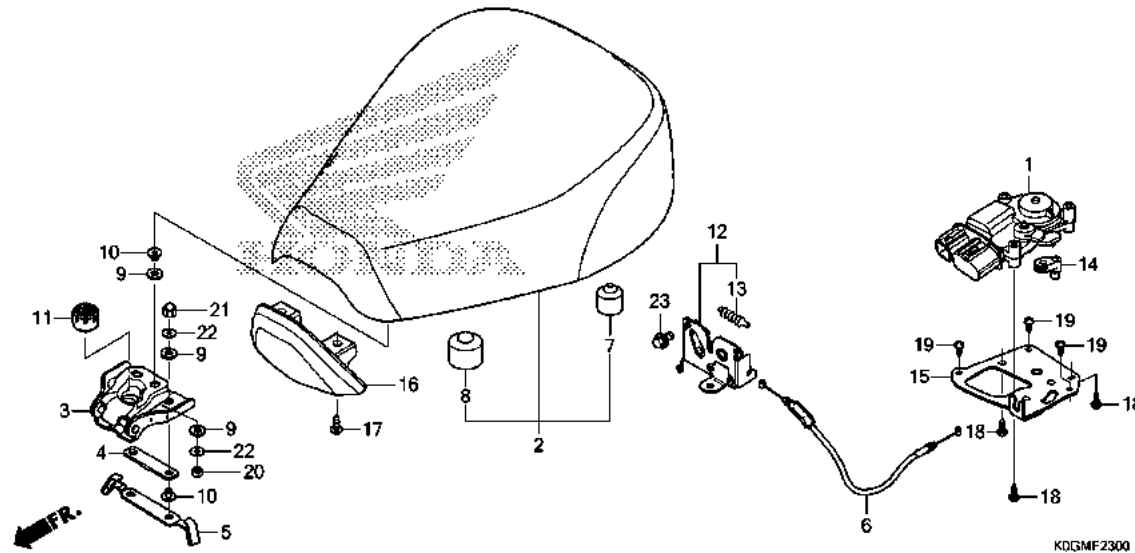
FUEL TANK/FUEL PUMP



Ref. No.	Part No.	Description	Reqd. QTY		Serial No.	Parts catalogue code
			C125	K		
25	90682-735-A01	CLIP, WIRE HARNESS	1			
26	93903-35210	SCREW, TAPPING, 5X12	1			
27	94050-06000	NUT, FLANGE, 6MM	4			
28	94251-06000	PIN, LOCK, 6MM	1			
29	95002-02080	CLIP, TUBE(B8)	3			
30	95003-27057-70	TUBE, VINYL, 9X13X570	1			
31	95005-45400-20	TUBE, 4.5X400(95005-45001-20M)	1			
32	95015-81000	PIN A, PILLION STEP	1			
33	95701-06012-08	BOLT, FLANGE, 6X12	1			
34	95701-06016-08	BOLT, FLANGE, 6X16	1			
35	95701-06020-08	BOLT, FLANGE, 6X20	1			
36	95701-08014-08	BOLT, FLANGE, 8X14	2			

F-23

SEAT



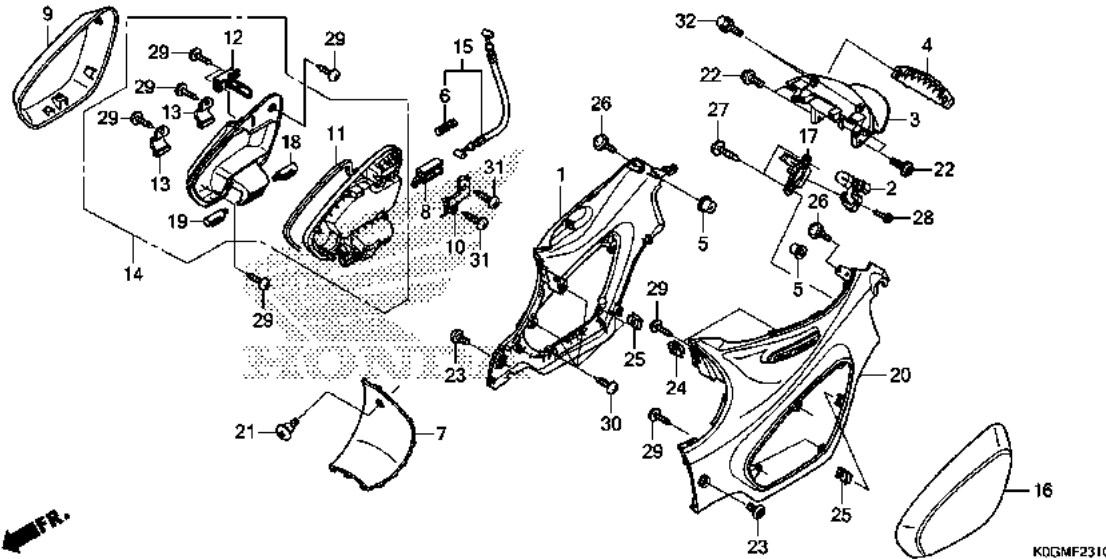
Ref. No.	L.O.N.	(Relative ref. Number) Description	F.R.T.
1	4111P9	ACTUATOR, SEAT OPENER	0.7
2	413150	SEAT	0.1
3	4131P0	HINGE, SEAT	0.1
6	811175	CABLE, SEAT LOCK	0.6
12	4131E8	CATCH, SEAT :REAR SIDE	0.2
16	4131N6	COVER, SEAT HINGE :FRONT	0.1

3

Ref. No.	Part No.	Description	Reqd. QTY	Serial No.	Parts catalogue code
			C125 K		
1	36520-KSV-J03	ACTUATOR ASSY.	1		
2	77100-K0G-901ZA	SEAT COMP., SINGLE			
		TYPE2.....	1		
	77100-K0G-901ZB	*TYPE1*.....	1		
3	77110-K0G-900	HINGE COMP., SEAT	1		
4	77116-K0G-900	RUBBER, CUSHION	1		
5	77117-K0G-900	HOOK, HELMET	1		
6	77156-K0G-901	CABLE COMP., SEAT LOCK	1		
7	77206-KPK-900	RUBBER, SEAT CUSHION	2		
8	77206-KPP-T00	RUBBER, SEAT CUSHION	2		
9	77207-GN5-910	RUBBER B, SEAT MOUNTING	6		
10	77208-KPW-900	COLLAR, SEAT MOUNTING	4		
11	77215-KW7-900	RUBBER C, SEAT SETTING	1		
12	77230-K0G-900	CATCH COMP., SEAT	1		
13	77234-GGZ-J00	SPRING, SEAT LOCK	1		
14	77242-KSV-J00	JOINT, CABLE	1		
15	77250-K0G-900	STAY, ACTUATOR	1		
16	83405-K0G-900	COVER, SEAT HINGE	1		
17	93903-24310	SCREW, TAPPING, 4X12	2		
18	93903-34510	SCREW, TAPPING, 4X20	3		
19	93913-14220	SCREW, TAPPING, 4X12	3		
20	94001-06000-0S	NUT, HEX., 6MM	2		
21	94021-06000-0S	NUT, CAP, 6MM	2		
22	94103-06000	WASHER, PLAIN, 6MM	4		
23	95701-06012-08	BOLT, FLANGE, 6X12	2		

F-23-10

BODY COVER

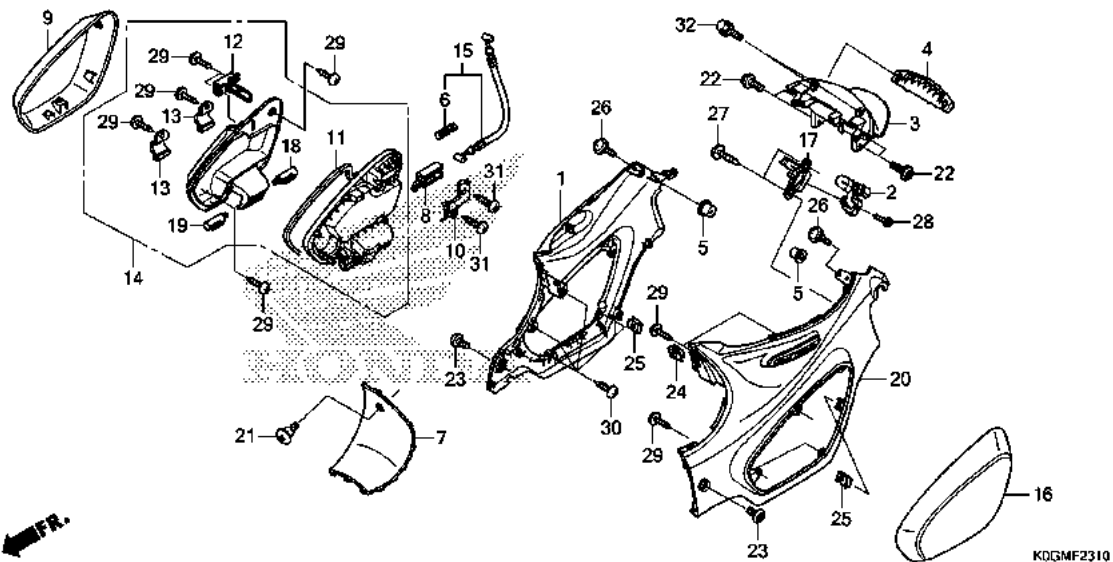


Ref. No.	L.O.N.	(Relative ref. Number) Description	F.R.T.
1	4131J0	COVER, BODY :RIGHT	0.3
2	6151M7	SWITCH, SEAT OPENER	0.4
3	4101B7	GRIP, MAIN STAND	0.4
7	4131R6	COVER, BODY :CENTER	0.1
9	4111H9	COVER, SIDE :RIGHT	0.4
14	4131PP	LID, SIDE COVER	0.4
15	8111H9	CABLE, SIDE COVER	0.3
16	4111H8	COVER, SIDE :LEFT	0.3
	4111J0	COVER, SIDE :BOTH	0.6
20	4131H9	COVER, BODY :LEFT	0.3
	4131J1	COVER, BODY :BOTH	0.5

Ref. No.	Part No.	Description	Reqd. QTY	Serial No.	Parts catalogue code
			C125 K		
1	04801-KOG-900ZA	COVER COMP., R. BODY(WL)	1		
		R376P.....PEARL NEBULA RED	1		
	04801-KOG-900ZB	*PB415P*...PEARL NILTAVA BLUE	1		
	04801-KOG-900ZD	*NHB98P*..PEARL SHINING BLACK	1		
2	35380-KOG-901	SWITCH ASSY., SEAT OPENER ...	1		
3	50410-KOG-900ZA	GRIP, MAIN STAND	1		
		R376P.....PEARL NEBULA RED	1		
	50410-KOG-900ZB	*PB415P*...PEARL NILTAVA BLUE	1		
	50410-KOG-900ZC	*NHB98P*..PEARL SHINING BLACK	1		
4	50420-KOG-900ZA	GRIP, MAIN STAND UNDER	1		
		R376P.....PEARL NEBULA RED	1		
	50420-KOG-900ZB	*PB415P*...PEARL NILTAVA BLUE	1		
	50420-KOG-900ZC	*NHB98P*..PEARL SHINING BLACK	1		
5	61312-149-300	BOOT, HEADLIGHT BRACKET	2		
6	77237-KZR-700	SPRING, CABLE RETURN	1		
7	80151-KOG-900ZA	COVER, CENTER	1		
		R376P.....PEARL NEBULA RED	1		
	80151-KOG-900ZB	*PB415P*...PEARL NILTAVA BLUE	1		
	80151-KOG-900ZC	*NHB98P*..PEARL SHINING BLACK	1		
8	80181-KOG-900	SLIDER, LID HINGE	1		
9	83404-KOG-900ZA	COVER, R. SIDE	1		
		PB414P.....PEARL RETRO BLUE	1		
	83404-KOG-900ZB	*NHC13P*PEARL SUGARCANE BEIGE	1		
10	83408-KOG-900	COVER, SLIDER	1		
11	83409-KOG-900	RUBBER, SEAL	1		
12	83410-KOG-900	BAR COMP., SIDE COVER	1		
13	83411-KOG-900	CLAMPER, LID HINGE	2		

F-23-10

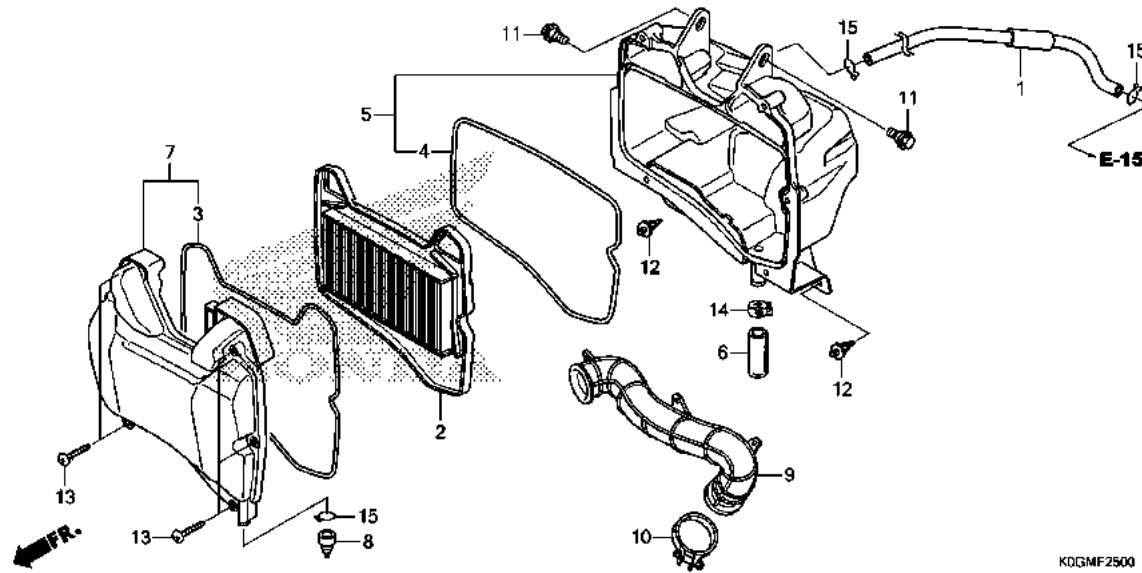
BODY COVER



Ref. No.	Part No.	Description	Reqd. QTY C125 K	Serial No.	Parts catalogue code
14	83420-K0G-900	LID ASSY., R. SIDE	1		
15	83460-K0G-901	CABLE COMP., SIDE COVER	1		
16	83504-K0G-900ZA	COVER, L. SIDE			
	PB414P.....PEARL RETRO BLUE		1		
	83504-K0G-900ZB	*NHC13P*PEARL SUGARCANE BEIGE	1		
17	83506-K0G-900	STAY, SEAT OPENER	1		
18	83534-K04-931	DAMPER, L. LID			
	(FOR RR.)		1		
19	83534-K35-V01	DAMPER, R. LID			
	(FOR FR.)		1		
20	83650-K0G-900ZA	COVER SET, L. BODY(WL)			
	R376P.....PEARL NEBULA RED		1		
	83650-K0G-900ZB	*PB415P*...PEARL NILTAVA BLUE	1		
	83650-K0G-900ZC	*NHB98P*..PEARL SHINING BLACK	1		
21	90103-K88-L20	SCREW, SIDE COVER	1		
22	90105-K0G-900	BOLT, SOCKET SPECIAL, 6X14 ..	4		
23	90132-KPP-T00	SCREW, PAN, 6X10	2		
24	90305-GK8-000	NUT, CLIP, 6MM	1		
25	90677-KAN-T00	NUT, CLIP, 5MM	2		
26	91509-GE2-760	SCREW, PAN, 5X11.5	2		
27	93903-25310	SCREW, TAPPING, 5X16	2		
28	93903-32210	SCREW, TAPPING, 3X10	1		
29	93903-34380	SCREW, TAPPING, 4X12	10		
30	93903-35210	SCREW, TAPPING, 5X12	4		
31	93903-35310	SCREW, TAPPING, 5X16	2		
32	96001-06016-02	BOLT, FLANGE, 6X16	2		

F-25

AIR CLEANER

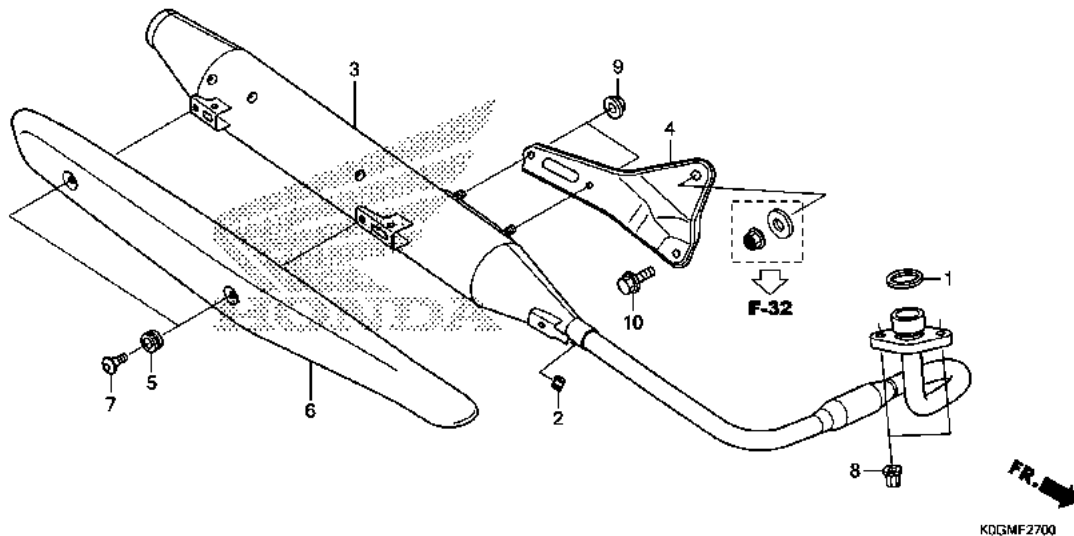


Ref. No.	L.O.N.	(Relative ref. Number) Description	F.R.T.
2		(3,4)	
2	312105	ELEMENT, AIR CLEANER	0.2
5	3121A5	CASE, AIR CLEANER	0.6
7	312102	COVER, AIR CLEANER CASE	0.2
9	3121B6	TUBE, AIR CLEANER CONNECTING ·	0.6

Ref. No.	Part No.	Description	Reqd. QTY	Serial No.	Parts catalogue code
			C125 K		
1	15761-K0G-900	TUBE, BREATHER	1		
2	17210-KWW-640	ELEMENT COMP., AIR CLEANER ..	1		
3	17213-KWB-600	SEAL, AIR CLEANER COVER	1		
4	17214-KPY-H00	SEAL, AIR CLEANER CASE	1		
5	17225-K0G-900	CASE SUB ASSY., AIR CLEANER ·	1		
6	17227-KPK-900	TUBE, VINYL, 11X15X35	1		
7	17235-K0G-900	COVER SUB ASSY., AIR CLEANER	1		
8	17236-KVB-900	PLUG, AIR CLEANER DRAIN	1		
9	17253-K0G-900	TUBE, AIR CLEANER CONNECTING	1		
10	17256-K35-V00	BAND, AIR CLEANER CONNECTING TUBE(38)	1		
11	90116-KVB-900	BOLT, FLANGE, 6MM	2		
12	90601-PV3-003	CLIP, AIR INTAKE DUCT PUSH ..	2		
13	93903-25580	SCREW, TAPPING, 5X25	5		
14	95002-41300-08	CLAMP, TUBE(D13)	1		
15	95002-80000	CLIP, TUBE(C12)	3		

F-27

EXHAUST MUFFLER



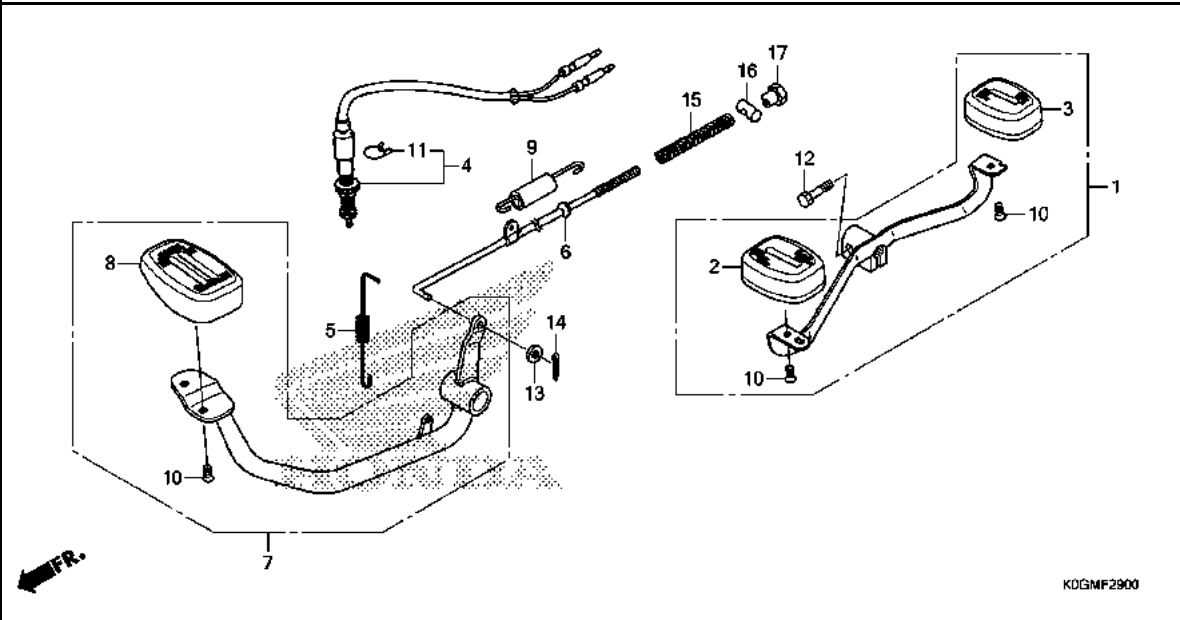
Ref. No.	L.O.N.	(Relative ref. Number) Description	F.R.T.
1	3131B4	GASKET, EXHAUST PIPE	0.3
3	313120	MUFFLER	0.3
6	4111X4	COVER, MUFFLER	0.1

3

Ref. No.	Part No.	Description	Reqd. QTY C125 K	Serial No.	Parts catalogue code
1	18291-GE2-920	GASKET, EX. PIPE	1		
2	18293-MCA-A20	RUBBER, PROTECTOR PACKING ...	1		
3	18300-K0G-900	MUFFLER COMP., EX.	1		
4	18315-K0G-900	STAY, MUFFLER	1		
5	18345-MBT-610	RUBBER, PROTECTOR MOUNTING ..	2		
6	18355-K0G-900	COVER, MUFFLER	1		
7	90113-GFP-B00	SCREW, PAN, 6X12	2		
8	90301-KWB-600	NUT, FLANGE, 8MM	2		
9	94050-08080	NUT, FLANGE, 8MM	2		
10	95701-08016-00	BOLT, FLANGE, 8X16	1		

F-29

PEDAL



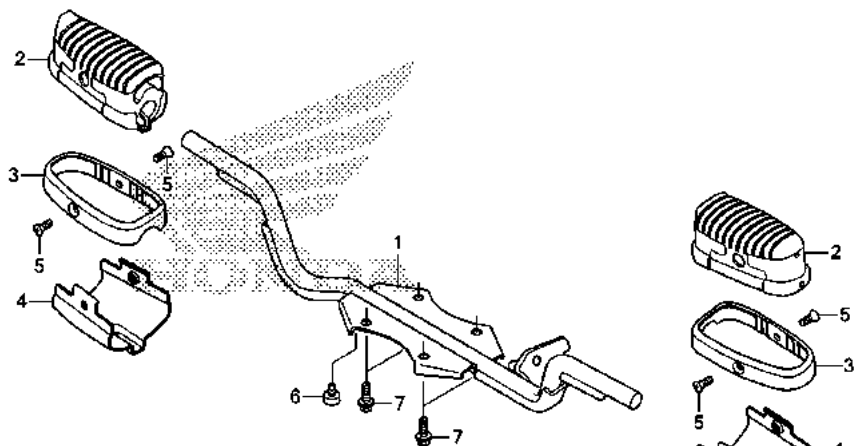
Ref. No.	L.O.N.	(Relative ref. Number) Description	F.R.T.
1	4101A1	PEDAL, GEAR CHANGE	0.1
4	6151B5	SWITCH, REAR STOP :PEDAL SIDE	0.4
6	811135	ROD, REAR BRAKE	0.6
7	810160	PEDAL, REAR BRAKE	0.6

Ref. No.	Part No.	Description	Reqd. QTY	Serial No.	Parts catalogue code
			C125 K		
1	24700-KOG-900	PEDAL ASSY., GEAR CHANGE	1		
2	24702-KOG-900	CAP, FR. GEAR CHANGE PEDAL ..	1		
3	24704-KOG-900	CAP, RR. GEAR CHANGE PEDAL ..	1		
4	35350-KWW-642	SWITCH ASSY., RR. STOP	1		
5	35357-KOG-900	SPRING, STOP SWITCH	1		
6	43451-KOG-900	ROD COMP., RR. BRAKE	1		
7	46000-KOG-900	PEDAL ASSY., BRAKE	1		
8	46501-KOG-900	CAP, BRAKE PEDAL	1		
9	46513-KBP-900	SPRING ASSY., RR. BRAKE RETURN	1		
10	90164-KZL-A00	SCREW, U-LOCK FLAT, 6X12	3		
11	90601-KAF-003	CLIP, SWITCH COVER	1		
12	92101-06020-OA	BOLT, HEX., 6X20	1		
13	94101-05000	WASHER, PLAIN, 5MM	1		
14	94201-20150	PIN, SPLIT, 2.0X15	1		
15	95014-73100	SPRING A, BRAKE ROD	1		
16	95015-32001	JOINT B, BRAKE ARM	1		
17	95015-42000	NUT B, BRAKE ROD ADJUSTING ..	1		



F-30

STEP



FR.

K0GMF3000

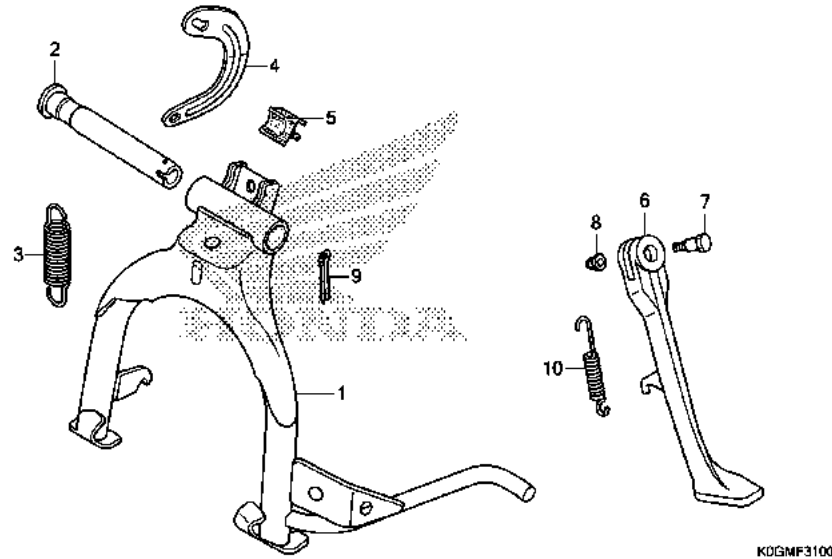
Ref. No.	L.O.N.	(Relative ref. Number) Description	F.R.T.
1	410145	BAR, STEP	0.4
2	4101D3	RUBBER, STEP :LEFT	0.1
	4101D4	RUBBER, STEP :RIGHT	0.1
	4101L8	RUBBER, STEP :BOTH	0.1

3

Ref. No.	Part No.	Description	Reqd. QTY	Serial No.	Parts catalogue code
			C125 K		
1	50610-K0G-900	BAR COMP., STEP	1		
2	50661-K0G-900	RUBBER, MAIN STEP	2		
3	50662-K0G-900	CAP, MAIN STEP	2		
4	50663-K0G-900	BAND, MAIN STEP	2		
5	93700-05008-0A	SCREW, OVAL, 5X8	4		
6	95011-62000	RUBBER B, STAND STOPPER	1		
7	95701-08020-00	BOLT, FLANGE, 8X20	4		

F-31

STAND

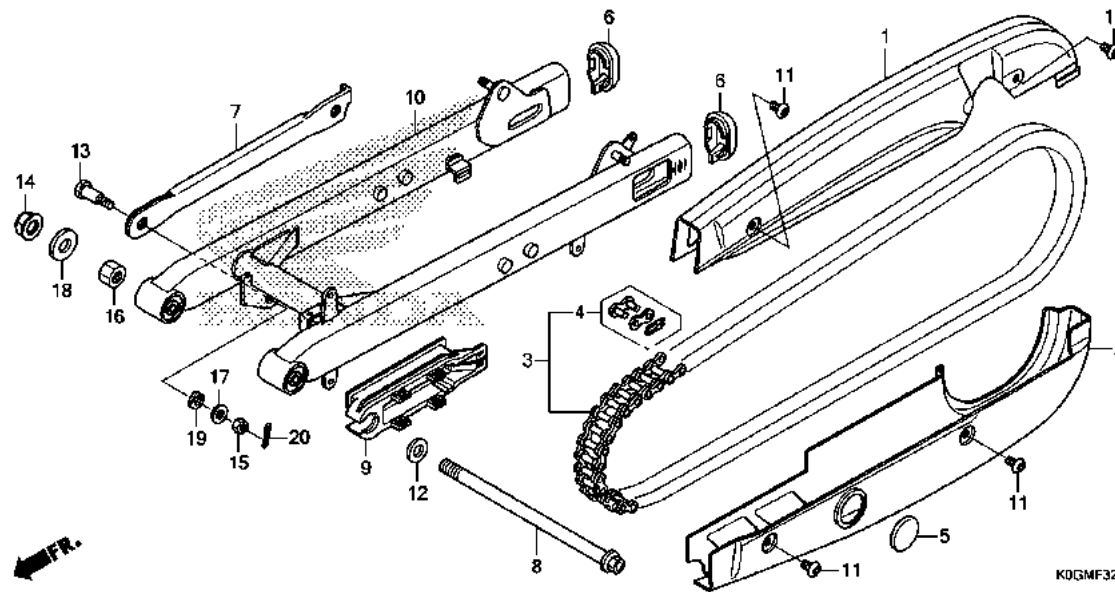


Ref. No.	L.O.N.	(Relative ref. Number) Description	F.R.T.
1	(2)		
410175		STAND, MAIN	0.5
3	(4)		
410176		SPRING, MAIN STAND	0.2
6		BAR, SIDE STAND	0.2
10		SPRING, SIDE STAND	0.1

Ref. No.	Part No.	Description	Reqd. QTY	Serial No.	Parts catalogue code
			C125 K		
1	50500-K0G-900	STAND COMP., MAIN	1		
2	50512-KWW-620	SHAFT, RR. BRAKE PIVOT	1		
3	50520-K0G-900	SPRING, MAIN STAND	1		
4	50523-K0G-900	HOOK, MAIN STAND SPRING	1		
5	50524-397-000	RUBBER, STAND STOPPER	1		
6	50530-K0G-900	BAR COMP., SIDE STAND	1		
7	90107-GN1-010	SCREW, SIDE STAND PIVOT	1		
8	90203-KVB-900	NUT, SIDE STAND	1		
9	94201-30300	PIN, SPLIT, 3.0X30	1		
10	95014-72102	SPRING A, SIDE STAND	1		

F-32

SWINGARM/CHAIN CASE



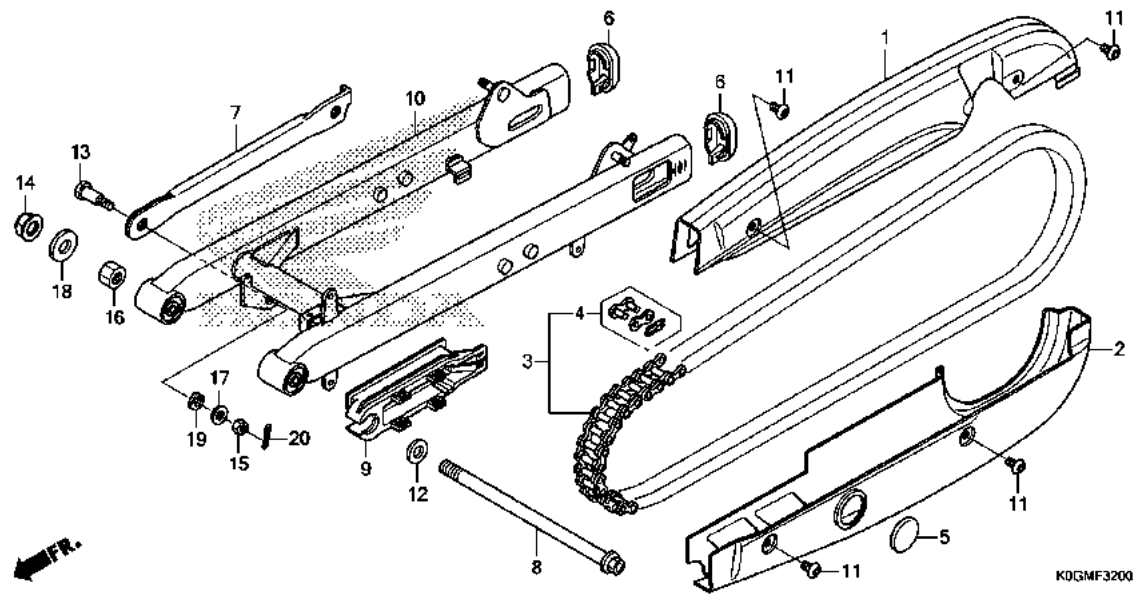
Ref. No.	L.O.N.	(Relative ref. Number) Description	F.R.T.
1	4101L9	CASE, DRIVE CHAIN :UPPER	0.1
2	4101M0	CASE, DRIVE CHAIN :LOWER	0.1
	4101P7	CASE, DRIVE CHAIN :BOTH	0.1
3	213165	CHAIN, DRIVE	0.3
7	7111H2	ARM, REAR BRAKE STOPPER	0.3
9	4101E5	SLIDER, CHAIN	0.3
10	5121B0	SWINGARM ASSEMBLY	0.8

3

Ref. No.	Part No.	Description	Reqd. QTY	Serial No.	Parts catalogue code
			C125 K		
1	40510-K0G-900ZA	CASE, UPPER HALF DRIVE CHAIN *NHA40M*	1		
		MAT CRYPTON SILVER METALLIC			
2	40520-K0G-900ZA	CASE, UNDER HALF DRIVE CHAIN *NHA40M*	1		
		MAT CRYPTON SILVER METALLIC			
3	40530-K0G-901	CHAIN, DRIVE(RK EXCEL) (RK420EL-106RJ)	1		
4	40531-K0G-901	JOINT SET, DRIVE CHAIN (RK EXCEL)	1		
5	40545-001-000	CAP, CHAIN CASE PEEP HOLE ...	1		
6	40546-K0G-900	CAP, SWINGARM END	2		
7	43431-K0G-900	ARM, RR. BRAKE STOPPER	1		
8	52101-K0G-900	BOLT, SWINGARM PIVOT	1		
9	52170-K0G-900	SLIDER, CHAIN	1		
10	52200-K0G-900ZA	SWINGARM SUB ASSY., RR. *R376P*.....PEARL NEBULA RED	1		
	52200-K0G-900ZB	*PB415P*...PEARL NILTAVA BLUE	1		
	52200-K0G-900ZC	*NHB98P*..PEARL SHINING BLACK	1		
11	90005-KYJ-900	SCREW, PAN, 6X6	4		
12	90122-KWB-600	WASHER, PIVOT BOLT	1		
13	90127-KWB-600	BOLT A, BRAKE STOPPER	1		
14	90306-KWN-701	NUT, U, 12MM	1		
15	94001-08000-0S	NUT, HEX., 8MM	1		
16	94031-12000	NUT, HEX., 12MM	1		
17	94101-08000	WASHER, PLAIN, 8MM	1		

F-32

SWINGARM/CHAIN CASE

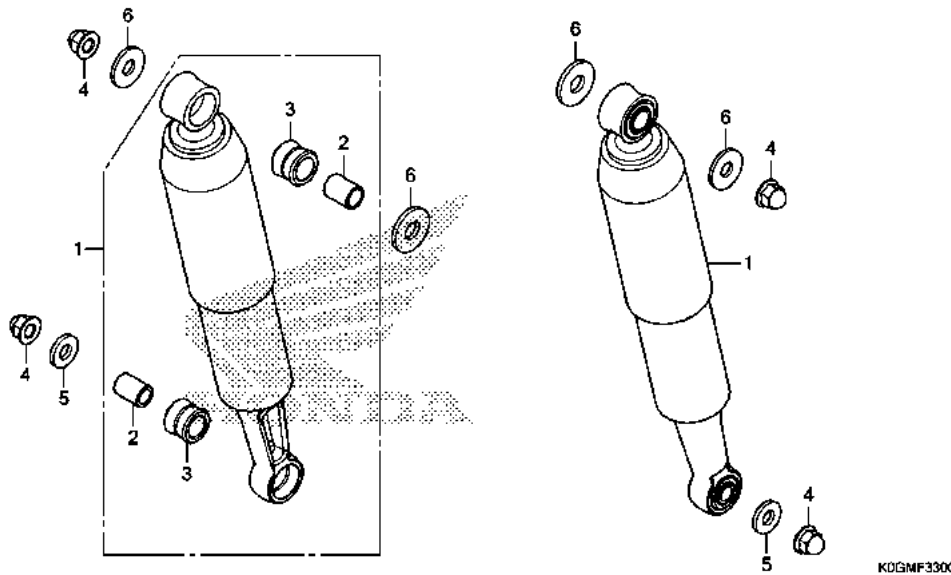


Ref. No.	Part No.	Description	Reqd. QTY	Serial No.	Parts catalogue code
			C125 K		
18	94101-12000	WASHER, PLAIN, 12MM	1		
19	94111-10000	WASHER, SPRING, 10MM	1		
20	94201-20150	PIN, SPLIT, 2.0X15	1		

3

F-33

REAR CUSHION



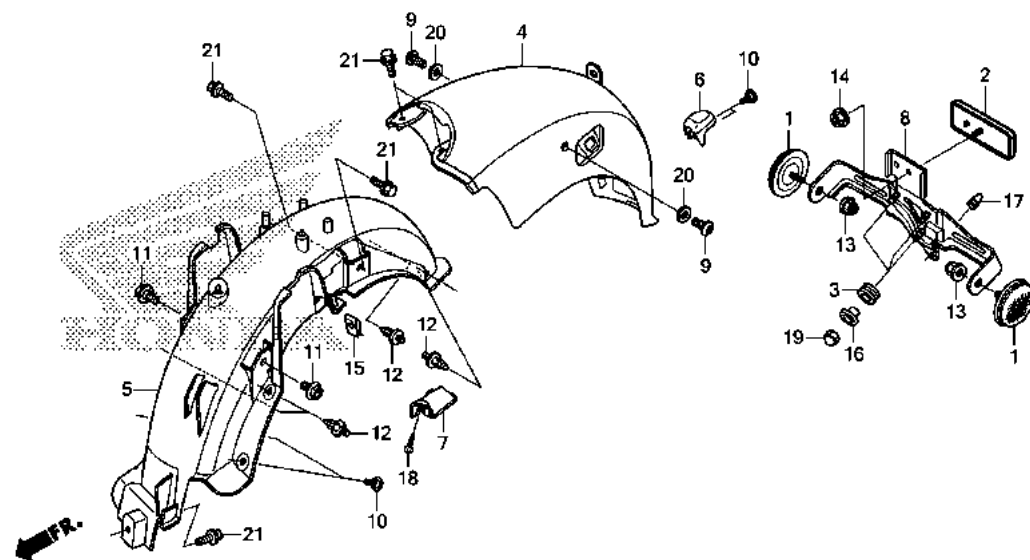
Ref. No.	L.O.N.	(Relative ref. Number) Description	F.R.T.
1	5121B6	CUSHION ASSY., REAR :LEFT	0.1
	5121B7	CUSHION ASSY., REAR :RIGHT	0.1
	5121B8	CUSHION ASSY., REAR :BOTH	0.2

3

Ref. No.	Part No.	Description	Reqd. QTY	Serial No.	Parts catalogue code
			C125 K		
1	52400-K0G-901ZA	CUSHION ASSY., RR. (SHOWA)			
		TYPE1	2		
	52400-K0G-911ZA	*TYPE1*	2		
	52400-K0G-931ZA	*TYPE1*	2		
2	52486-KBW-901	COLLAR, RUBBER BUSH	4		
3	52489-399-601	BUSH, UPPER RUBBER (SHOWA)	4		
4	90201-HA0-000	NUT, CAP, 10MM	4		
5	90502-K0G-900	WASHER, 10.5X26X1.6	2		
6	94103-10200	WASHER, PLAIN, 10MM	4		

F-34

REAR FENDER



K0GMF3400

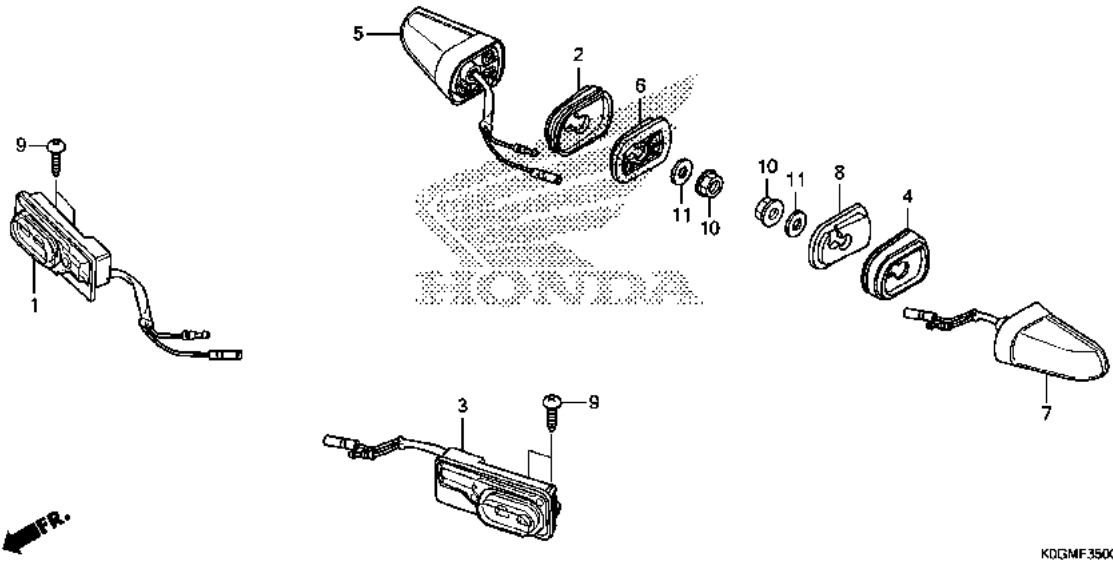
Ref. No.	L.O.N.	(Relative ref. Number) Description	F.R.T.
4	413102	FENDER, REAR	0.6
5	4131N4	FENDER, INNER :REAR	0.7

Ref. No.	Part No.	Description	Reqd. QTY C125 K	Serial No.	Parts catalogue code
1	33741-KAK-971	REFLECTOR, FR. REFLEX(AMBER) (FOR RR.)	2		
2	33741-KPL-902	REFLECTOR, REFLEX	1		
3	64312-KWW-640	GROMMET, MAIN PIPE COVER	3		
4	80100-K0G-900ZA	FENDER COMP., RR. *R376P*.....PEARL NEBULA RED	1		
	80100-K0G-900ZB	*PB415P*...PEARL NILTAVA BLUE	1		
	80100-K0G-900ZC	*NHB98P*..PEARL SHINING BLACK	1		
5	80102-K0G-900	FENDER, INNER	1		
6	80103-K0G-900	COVER, LICENSE LIGHT	1		
7	80104-K0G-900	LID, FENDER INNER	1		
8	84701-K0G-930	BRACKET, NUMBER PLATE	1		
9	90108-K0G-901	BOLT, SOCKET SPECIAL, 8X18 ..	2		
10	90115-KW7-900	SCREW, VISOR SPECIAL SETTING	4		
11	90116-KVB-900	BOLT, FLANGE, 6MM	2		
12	90116-SPO-003	CLIP, BUMPER SEAL	4		
13	90301-KGH-901	NUT, U, 6MM(FUJI SEIMITSU) ..	2		
14	90301-KWN-901	NUT, U, 5MM	1		
15	90302-KWW-A00	NUT, SPRING, 4MM	1		
16	90501-K0F-T00	COLLAR, TAILLIGHT	3		
17	90899-422-610	PLUG, CONE TYPE	1		
18	93903-24380	SCREW, TAPPING, 4X12	1		
19	94021-06000-0S	NUT, CAP, 6MM	3		
20	94102-08000	WASHER, PLAIN, 8MM	2		
21	95701-06012-08	BOLT, FLANGE, 6X12	5		



F-35

WINKER



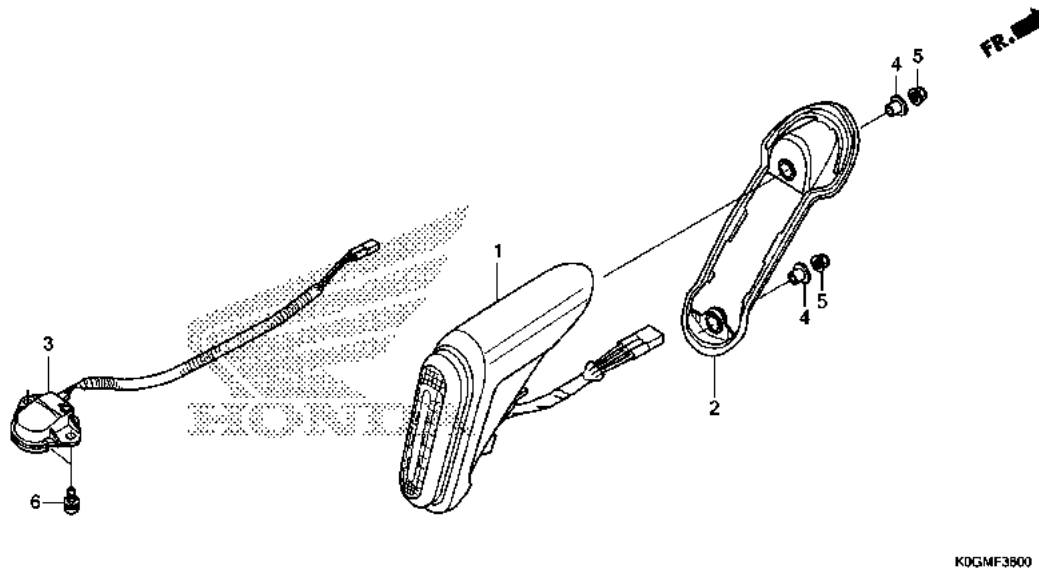
Ref. No.	L.O.N.	(Relative ref. Number) Description	F.R.T.
1	6161C4	WINKER :RIGHT FRONT	0.6
3	6161C3	WINKER :LEFT FRONT	0.6
	6161C5	WINKER :BOTH FRONT	0.7
5	6161C7	WINKER :RIGHT REAR	0.6
7	6161C6	WINKER :LEFT REAR	0.6
	6161C8	WINKER :BOTH REAR	0.7

3

Ref. No.	Part No.	Description	Reqd. QTY	Serial No.	Parts catalogue code
			C125 K		
1	33400-K0G-901	WINKER ASSY., R. FR.	1		
2	33412-K0G-900	RUBBER, R. RR. WINKER MOUNTING	1		
3	33450-K0G-901	WINKER ASSY., L. FR.	1		
4	33452-K0G-900	RUBBER, L. RR. WINKER MOUNTING	1		
5	33600-K0G-901	WINKER ASSY., R. RR.	1		
6	33609-K0G-900	BRACKET, R. RR. WINKER MOUNTING	1		
7	33650-K0G-901	WINKER ASSY., L. RR.	1		
8	33659-K0G-900	BRACKET, L. RR. WINKER MOUNTING	1		
9	93903-25380	SCREW, TAPPING, 5X16	4		
10	94050-06000	NUT, FLANGE, 6MM	2		
11	94103-06000	WASHER, PLAIN, 6MM	2		

F-36

TAILLIGHT/LICENSE LIGHT



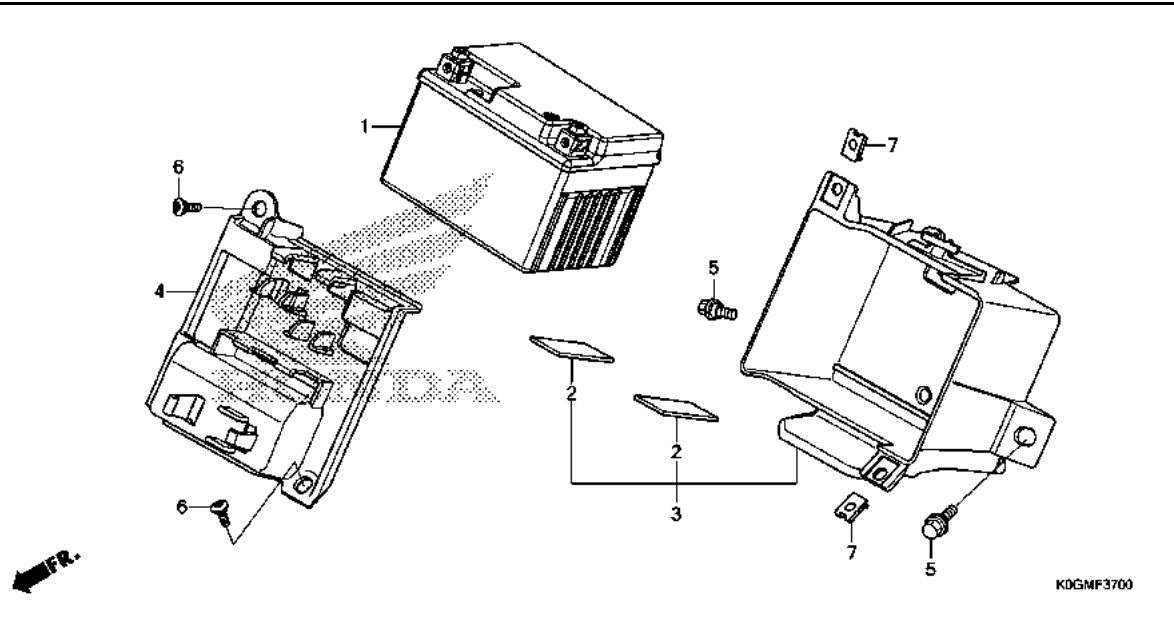
Ref. No.	L.O.N.	(Relative ref. Number) Description	F.R.T.
1	6161H2	TAILLIGHT ASSEMBLY	0.6
3	6161D8	LIGHT, LICENSE	0.7

Ref. No.	Part No.	Description	Reqd. QTY	Serial No.	Parts catalogue code
			C125 K		
1	33701-K0G-901	TAILLIGHT ASSY.	1		
2	33705-K0G-900	RUBBER, TAILLIGHT MOUNTING ..	1		
3	33720-K0G-901	LIGHT ASSY., LICENSE	1		
4	33731-K0G-900	COLLAR, TAILLIGHT MOUNTING ..	2		
5	90301-KWN-901	NUT, U, 5MM	2		
6	90508-K0F-T00	SCREW-WASHER, 4X14	2		



F-37

BATTERY



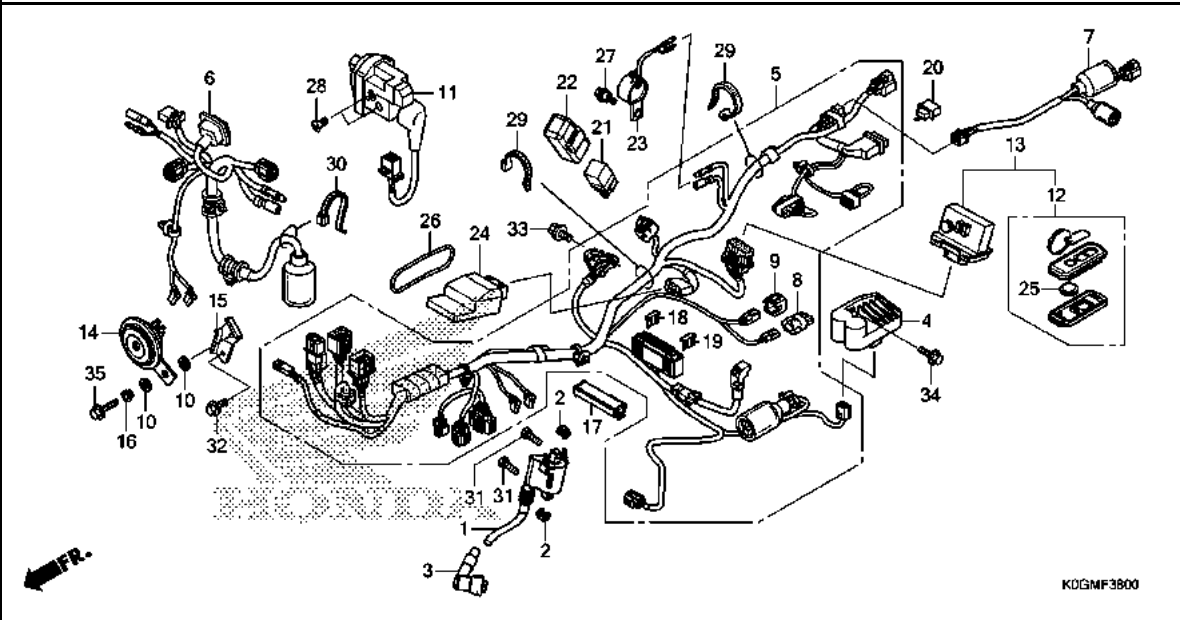
Ref. No.	L.O.N.	(Relative ref. Number) Description	F.R.T.
1	610100	BATTERY	0.2
3	410185	BOX, BATTERY	0.5

3

Ref. No.	Part No.	Description	Reqd. QTY	Serial No.	Parts catalogue code
			C125 K		
1	31500-KVB-T02	BATTERY (YTZ4V) (YUASA)	1		
2	50346-KRP-N40	CUSHION B, BATTERY	2		
3	50380-K0G-900	CASE, BATTERY	1		
4	50381-K0G-900	COVER, BATTERY	1		
5	90111-162-000	BOLT, FLANGE, 6MM	2		
6	90132-MJE-D40	SCREW, PAN, 5X14	2		
7	90677-KAN-T00	NUT, CLIP, 5MM	2		

F-38

WIRE HARNESS



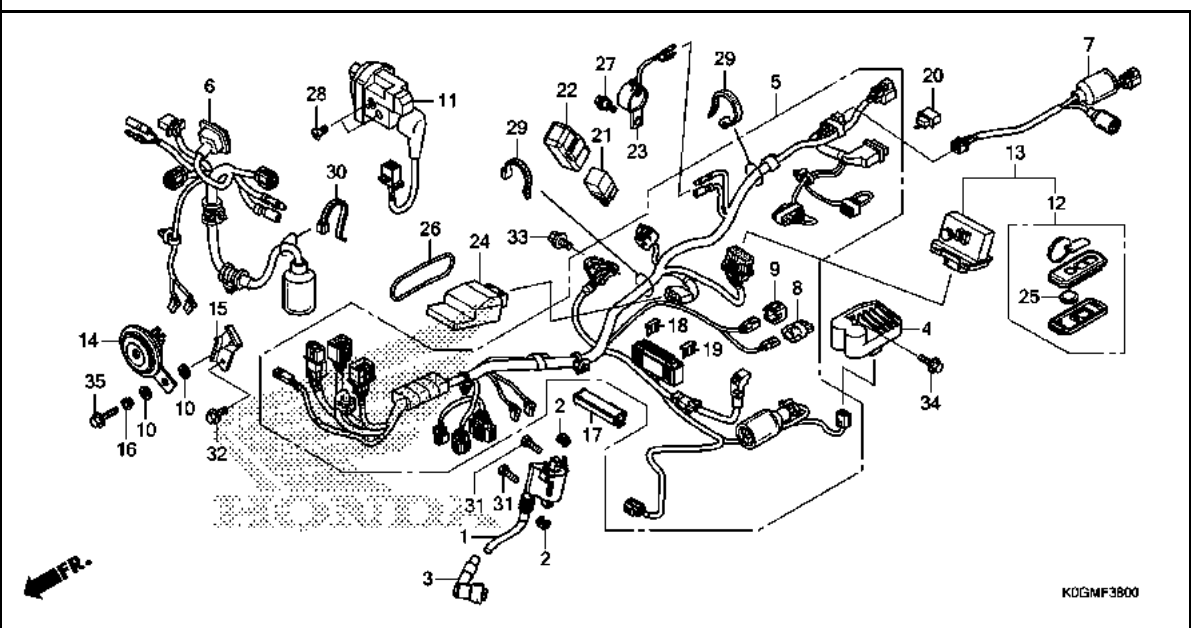
Ref. No.	L.O.N.	(Relative ref. Number) Description	F.R.T.
1	614105	COIL, IGNITION	0.5
3	6141E3	CAP, NOISE SUPPRESSOR	0.4
4	6131B2	RECTIFIER, REGULATE	0.5
5	611100	HARNESS, WIRE	1.4
6	6111D7	SUB HARNESS, FRONT	1.0
7	6111F0	SUB HARNESS, REAR	0.7
11	6151K9	SWITCH, HANDLE LOCK	1.7
13	6181D3	CONTROL UNIT, SMART	1.1
.INCLUDES: Authentication ID number memorization			
14	616169	HORN	0.3
20	6111C3	RELAY, WINKER	0.6
21	6111C5	RELAY, STARTER	0.4
23	6161AB	BUZZER, ELECTRON	0.4
24	618135	ENGINE CONTROL MODULE(ECM) ...	1.1
.INCLUDES: Authentication ID number memorization			

Ref. No.	Part No.	Description	Reqd. QTY	Serial No.	Parts catalogue code
			C125 K		
1	30510-K0G-901	COIL COMP., IGNITION	1		
2	30520-GFM-900	SPACER, IGNITION COIL	2		
3	30700-K0G-901	CAP ASSY., NOISE SUPPRESSOR ..	1		
4	31600-K0F-T01	RECTIFIER COMP., REGULATOR ..	1		
5	32100-K0G-900	HARNESS, WIRE	1		
6	32101-K0G-901	SUB HARNESS, FR.	1		
7	32105-K0G-900	SUB HARNESS, RR.	1		
8	32605-KCW-J91	CAP, DUMMY(2P)(BLUE)	1		
9	32606-GEV-761	CAP, DUMMY(4P)(RED)	1		
10	33714-KL3-620	RUBBER, TAILLIGHT BRACKET ...	2		
11	35100-K0G-901	SWITCH ASSY., HANDLE LOCK ...	1		
12	35121-K0G-930	FOB ASSY.	1		
13	35141-K0G-930	CONTROL UNIT, SMART	1		
14	38110-K0G-901	HORN ASSY.(HIGH)	1		
15	38111-K0G-900	STAY, HORN	1		
16	38117-KYZ-T00	COLLAR, HORN SETTING	1		
17	38200-K0G-902	COVER ASSY., FUSE BOX	1		
18	38221-SNA-A41	FUSE, BLADE(10A)	4		
19	38221-SNA-A51	FUSE, BLADE(15A)	2		
20	38301-KZZ-J01	RELAY COMP., WINKER(LED)	1		
21	38501-KVB-901	RELAY COMP., STARTER (HONDA LOCK)	1		
22	38506-KWW-711	SUSPENSION, STARTER RELAY (HONDA LOCK)	1		
23	38720-K66-V11	BUZZER ASSY.	1		



F-38

WIRE HARNESS

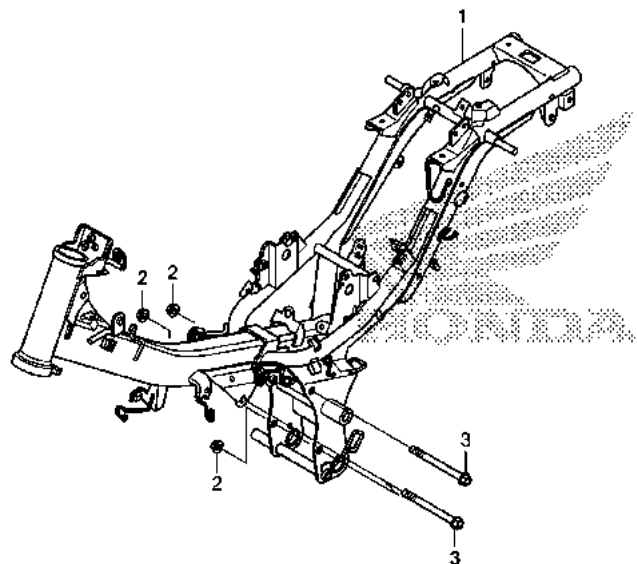


Ref. No.	Part No.	Description	Reqd. QTY		Serial No.	Parts catalogue code
			C125	K		
24	38770-K0G-932	PGM-FI UNIT	1			
25	72148-S04-000	BATTERY (CR2032)	1			
26	80124-KPH-700	BAND (ECU)	1			
27	90107-KVB-900	BOLT, SPECIAL, 6MM	1			
28	90164-KZL-A00	SCREW, U-LOCK FLAT, 6X12	2			
29	90620-SB2-003	BAND, WIRE HARNESS	2			
30	90651-KV6-003	BAND, WIRE, 165MM (BLACK)	1			
31	92101-06020-4J	BOLT, HEX., 6X20	2			
32	95701-06010-07	BOLT, FLANGE, 6X10	1			
33	95701-06012-00	BOLT, FLANGE, 6X12	1			
34	95701-06014-00	BOLT, FLANGE, 6X14	1			
35	95701-06016-00	BOLT, FLANGE, 6X16	1			

3

F-39

FRAME BODY



Ref. No.	L.O.N.	(Relative ref. Number) Description	F.R.T.
----------	--------	------------------------------------	--------

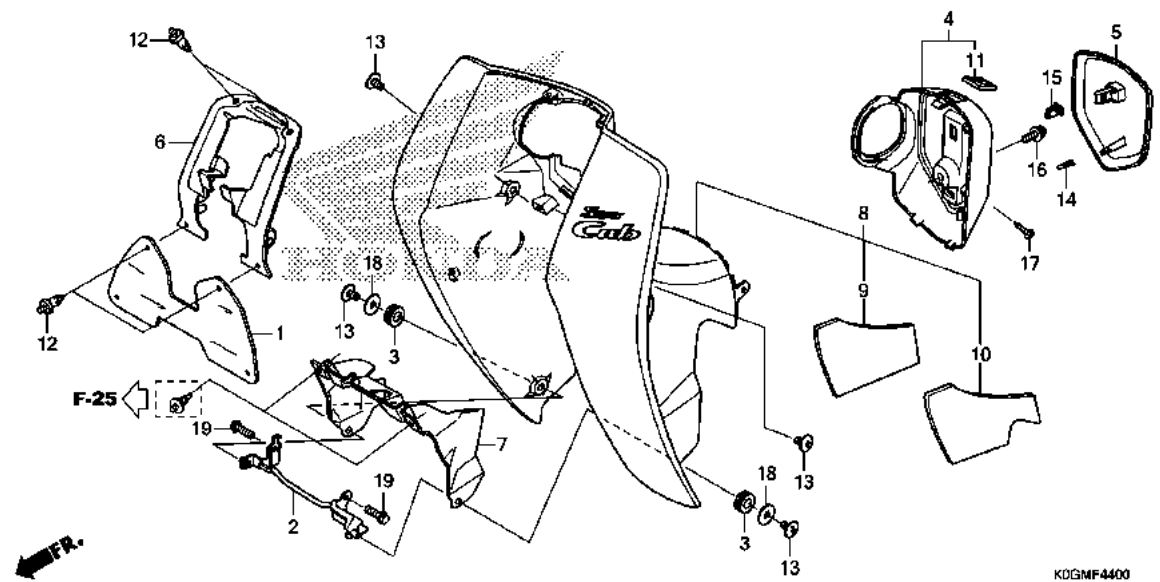
1	410100	BODY, FRAMEINCLUDES: Engine removal and installation	4.3
---	--------	---	-----

Ref. No.	Part No.	Description	Reqd. QTY C125 K	Serial No.	Parts catalogue code
1	50100-K0G-920	BODY COMP., FRAME	1		
2	94050-10080	NUT, FLANGE, 10MM	3		
3	95801-10110-08	BOLT, FLANGE, 10X110	3		

3

F-44

LEG SHIELD



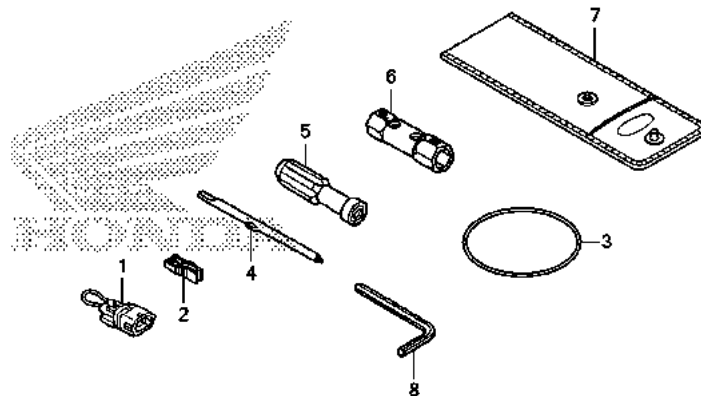
Ref. No.	L.O.N.	(Relative ref. Number) Description	F.R.T.
4	8121B8	COVER, COMBINATION SWITCH	0.2
5	8121K5	COVER, COMBINATION SWITCH TOP	0.1
8	4131BN	LEGSHIELD	0.2

3

Ref. No.	Part No.	Description	Reqd. QTY C125 K	Serial No.	Parts catalogue code
1	17270-KOG-900	RUBBER, AIR CLEANER GUARD ...	1		
2	64311-KOG-900	STAY, LEG SHIELD	1		
3	64312-KWW-640	GROMMET, MAIN PIPE COVER	2		
4	81100-KOG-900ZA	COVER COMP., COMBINATION LOCK *PB414P*.....PEARL RETRO BLUE	1		
	81100-KOG-900ZB	*NHC13P*PEARL SUGARCANE BEIGE	1		
5	81134-KOG-900	COVER, COMBINATION & LOCK TOP	1		
6	81136-KOG-900	INNER, LEG SHIELD	1		
7	81141-KOG-900	SHIELD, LEG INNER	1		
8	83200-KOG-900ZA	SHIELD SET, LEG(WL) *PB414P*.....PEARL RETRO BLUE	1		
	83200-KOG-900ZB	*NHC13P*PEARL SUGARCANE BEIGE	1		
9	83541-KOG-900	MAT, R. LEG SHIELD	1		
10	83641-KOG-900	MAT, L. LEG SHIELD	1		
11	86150-KPG-901	EMBLEM, PRODUCT(MARUI)	1		
12	90116-SPO-003	CLIP, BUMPER SEAL	4		
13	90132-KPP-T00	SCREW, PAN, 6X10	4		
14	90302-KWW-A00	NUT, SPRING, 4MM	1		
15	90666-K59-A11	CLIP, SNAP FITTING(PO)	1		
16	93894-05012-07	SCREW-WASHER, 5X12	1		
17	93903-24380	SCREW, TAPPING, 4X12	1		
18	94103-06000	WASHER, PLAIN, 6MM	2		
19	96001-06016-00	BOLT, FLANGE, 6X16	2		

F-48

TOOL



KDGMF4800

Ref. L.O.N. (Relative ref. Number) F.R.T.
No. Description

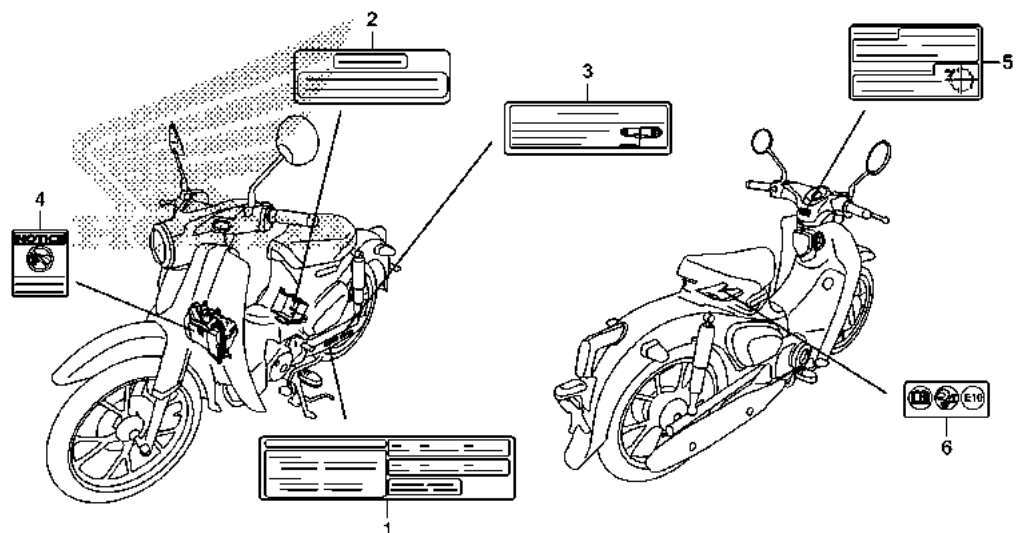
NO INFORMATION

Ref. No.	Part No.	Description	Reqd. QTY	Serial No.	Parts catalogue code
			C125 K		
1	35102-KVZ-630	COUPLER, ENTRY MODE	1		
2	38235-SNA-A01	PULLER, MINI FUSE	1		
3	89012-KZL-930	BAND, TOOL	1		
4	89102-538-000	DRIVER, SCREW(NO.2 + -)	1		
5	89103-538-000	GRIP	1		
6	89216-KVB-930	WRENCH, SPARK PLUG	1		
7	89219-KGH-900	BAG, TOOL, 160MM	1		
8	89221-429-000	WRENCH, HEX., 5MM	1		

3

F-49

CAUTION LABEL



Ref. No.	L.O.N. (Relative ref. Number)	Description	F.R.T.
----------	-------------------------------	-------------	--------

NO INFORMATION

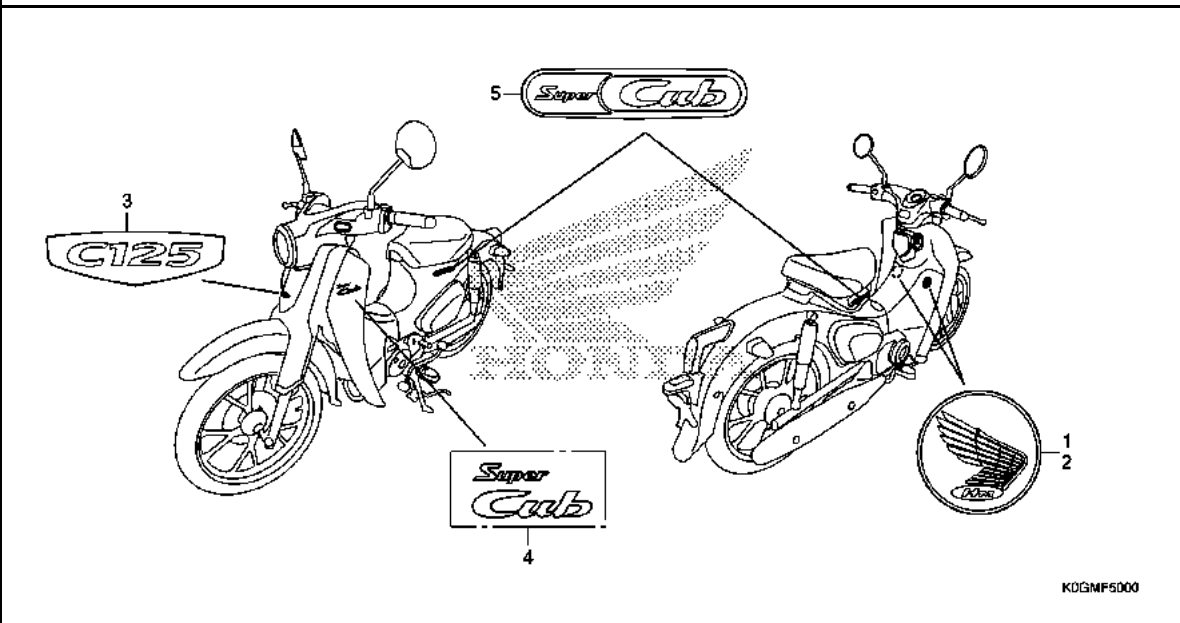
K0GMF4900

3

Ref. No.	Part No.	Description	Reqd. QTY C125 K	Serial No.	Parts catalogue code
1	87505-K0G-930	LABEL, TIRE	1		
2	87506-KGH-970	MARK, BATTERY CAUTION	1		
3	87507-K0G-930	LABEL, DRIVE CHAIN	1		
4	87509-KWP-900	LABEL, AIR CLEANER ELEMENT NOTICE	1		
5	87560-KW7-950ZB	MARK, DRIVE CAUTION *TWHITE*.....WHITE	1		
6	87586-MJN-D10	LABEL, FUEL & DRIVE (PICTOGRAPH)	1		

F-50

EMBLEM



Ref. No.	L.O.N. (Relative ref. Number)	Description	F.R.T.
----------	-------------------------------	-------------	--------

NO INFORMATION

K0GMP5000

Ref. No.	Part No.	Description	Reqd. QTY	Serial No.	Parts catalogue code
			C125 K		
1	86201-K0G-900ZA	BADGE, R. PRODUCT *TYPE1*	1		
2	86202-K0G-900ZA	BADGE, L. PRODUCT *TYPE1*	1		
3	86641-K0G-900ZA	EMBLEM, FR. TOP GARNISH *TYPE1*	1		
4	86811-K0G-900	EMBLEM, LEG SHIELD	1		
5	86831-K0G-900ZA	BADGE, BODY COVER *TYPE1*	2		

PART NO. INDEX

Part Number	Page	Ref.	Part Number	Page	Ref.	Part Number	Page	Ref.	Part Number	Page	Ref.	Part Number	Page	Ref.
04000			14000			17213-KWB-600	65	3	22644-K73-T31	32	10	28133-KPH-900	35	5
04801-K0G-900ZA	63	1	14100-K73-T30	27	2	17214-KPY-H00	65	4	22660-K0G-901	32	11	35121-K0G-930	77	12
04801-K0G-900ZB	63	1	14321-KYZ-900	28	1	17225-K0G-900	65	5	22804-KPH-880	32	12	35141-K0G-930	77	13
04801-K0G-900ZD	63	1	14401-K73-T31	28	2	17227-KPK-900	65	6	22810-KPH-900	30	7	35150-K0G-901	48	3
			14430-KYZ-900	27	3	17235-K0G-900	65	7	22820-KYZ-900	30	8	35200-K0G-901	48	4
			14440-KYZ-901	27	4	17236-KVB-900	65	8	22825-046-000	30	9	35340-MGS-D31	49	1
			14451-KTC-900	27	5	17253-K0G-900	65	9	22830-KYZ-900	30	10	35350-KWV-642	67	4
06000			14452-KTC-900	27	6	17256-K35-V00	65	10	22846-K0G-900	30	11	35357-K0G-900	67	5
06410-KWB-600	58	1	14500-KYZ-900	28	3	17270-K0G-900	80	1	22850-KPH-900	30	12	35380-K0G-901	63	2
06430-GGZ-J00	57	1	14531-KYZ-900	28	4	17411-K0G-900	60	4	22853-KPH-900	30	13	35751-K26-920	44	14
06451-961-405	55	1	14541-K73-T30	28	5	17413-K0G-920	60	5	22860-HB3-000	30	14	35752-KPH-900	44	15
06455-KWB-601	55	2	14550-KRS-691	28	6	17510-K0G-900	60	6				35759-K0G-901	40	7
			14566-086-030	28	7	17511-K0G-900	60	7	31000					
			14610-KWB-600	28	8	17517-GGL-J00	60	8	31110-K0G-901	37	1			
11000			14615-KFL-850	28	9	17525-K0G-900	60	9	31120-K0G-901	37	2	36000		
11100-K0G-900	40	1	14670-KYZ-900	28	10	17525-K0G-900	60	10	31200-KPW-901	38	1			
11133-KYZ-900	40	2	14675-KYZ-900	28	11	17525-K0G-900	60	11	31201-KVS-J01	38	2	36520-KSV-J03	62	1
11200-K0G-900	40	3	14711-K73-T30	27	7	17560-K40-F00	45	11	31204-KG8-004	38	3	36532-K0G-901	25	11
11215-KYZ-900	40	4	14721-K73-T30	27	8	17570-K0G-901	60	12	31205-KPW-901	38	4	36535-K41-N00	25	12
11216-KYZ-900	40	5	14751-KYZ-900	27	9	17572-GHB-601	60	13	31206-KPW-901	38	5			
11218-KYZ-900	40	6	14771-GB4-680	27	10	17572-GHB-601	60	13	31207-MBE-008	38	6	37000		
11330-K0G-900	30	1	14775-KVY-900	27	11	17570-K0G-901	60	12	31207-MBE-008	38	6	37100-K0G-901	47	1
11341-K0F-T00	36	1	14781-MA6-000	27	12	17620-K01-901	60	15	31500-KVB-T02	76	1	37104-K0G-901	47	2
11346-K0F-T00	30	2				17632-383-831	60	16	31600-K0F-T01	77	4	37210-K0G-901	47	3
	36	2				17910-K0G-901	48	1	31916-KPH-901	25	10	37211-K0G-901	47	4
	36	3				17920-K0G-901	48	2	31917-KPH-900	25	10	37212-K0G-901	47	5
11360-K0G-900	36	3	15000						31926-KPH-901	25	10	37230-K0G-901	47	6
11370-K0F-T00	30	3	15021-GF6-000	39	1	18000			31927-KPH-901	25	10	37700-K0G-901	40	8
11394-KYZ-900	30	4	15100-KTM-D20	39	2	18291-GE2-920	66	1	32000			37750-KPH-701	29	3
11395-KPH-901	36	4	15133-KTM-D20	39	3	18293-MCA-A20	66	2	32100-K0G-900	77	5	37800-K0G-901	60	17
			15341-KPH-900	41	6	18300-K0G-900	66	3	32101-K0G-901	77	6			
			15421-KSP-910	39	4	18345-MBT-610	66	5	32105-K0G-900	77	7	38000		
12000			15431-KPH-900	32	1	18355-K0G-900	66	6	32410-K0G-900	38	7			
12100-K0F-T00	29	1	15611-K0F-T00	30	5				32605-KCW-J91	77	8	38110-K0G-901	77	14
12191-KYZ-900	29	2	15761-K0G-900	65	1	19000			32606-GEV-761	77	9	38111-K0G-900	77	15
12200-K0F-T00	25	1				19639-GBC-000	30	6				38117-KYZ-T00	77	16
12204-KYZ-P00	25	2							33000			38200-K0G-902	77	17
12206-KPL-900	25	3							24211-K26-C00	44	1	38221-SNA-A41	77	18
12209-GB4-681	27	1	16000			22000			24212-K26-C00	44	2	38221-SNA-A51	77	19
12211-KPH-900	25	4	16060-K35-V01	45	1	22100-K0G-901	34	1	24241-KPH-900	44	3	38235-SNA-A01	81	2
12251-KYZ-901	25	5	16075-K35-V01	45	2	22115-KPH-900	34	2	24300-K0G-900	44	4	38301-KZZ-J01	77	20
12341-K0F-T00	25	6	16076-K35-V01	45	3	22116-KPH-900	34	3	24305-KPH-900	42	14	38501-KVB-901	77	21
12361-K0F-T00	25	7	16077-K35-V01	45	4	22121-KPH-900	34	4	24306-KPH-900	42	15	38506-KWV-711	77	22
			16169-K18-901	45	5	22201-KYZ-901	34	5	24410-K0G-900	44	5	38581-K26-B00	60	18
			16400-K0G-901	45	6	22208-KYZ-901	34	6	24420-K0G-900	44	6	38720-K66-V11	77	23
13000			16410-K0G-901	45	7	22321-KE8-000	34	7	24430-KPH-901	44	7	38770-K0G-932	78	24
13012-KYZ-900	41	2	16430-K0G-901	45	8	22350-KPH-900	34	8	24435-KYZ-900	44	8			
13022-KYZ-900	41	2	16450-K76-T61	45	9	22361-KTM-950	34	9	24610-K0G-900	44	9	40000		
13032-KYZ-900	41	2	16472-KPC-D50	45	10	22401-KYZ-901	34	10	24630-K0G-900	44	10	40510-K0G-900ZA	70	1
13042-KYZ-900	41	2	16700-K0G-901	60	1	22402-KYZ-901	34	11	24641-KPH-900	44	11	40520-K0G-900ZA	70	2
13052-KYZ-900	41	2	16706-K81-N01	60	2	22402-KYZ-901	34	11	24651-KPH-900	44	12	40530-K0G-901	70	3
13101-KYZ-900	41	3	16706-KVB-S51	60	2	22535-K73-T30	32	3	24652-KPH-900	44	13	40531-K0G-901	70	4
13102-KYZ-901	41	3	16707-KZV-T01	60	3	22606-GN5-910	32	4	24700-K0G-900	67	1	40543-K0G-900	57	2
13103-KYZ-901	41	3				22610-KYZ-901	32	5	24702-K0G-900	67	2			
13104-KYZ-901	41	3	17000			22630-KYZ-901	32	6	24704-K0G-900	67	3	40545-001-000	70	5
13105-KYZ-901	41	3	17111-K0G-900	25	8	22641-KYZ-901	32	7	28000			40546-K0G-900	70	6
13111-087-000	41	4	17119-K0G-900	25	9	22642-K73-T31	32	8	28110-KYZ-900	35	1			
13115-GN5-910	41	5	17210-KWV-640	65	2	22643-KPH-900	32	9	28120-KPH-701	35	2			
									28131-KYZ-901	35	3			
									28132-KPH-900	35	4			
												35100-K0G-901	77	11
												35102-KVZ-630	81	1

PART NO. INDEX

Part Number	Page	Ref.	Part Number	Page	Ref.	Part Number	Page	Ref.	Part Number	Page	Ref.	Part Number	Page	Ref.
90206-001-000	27	14	90544-283-000	54	17	91309-425-003	38	9	94050-06000	49	21			
90231-087-010	32	18	90544-KF0-000	28	17	91320-MB0-000	38	10		61	27	95701-08014-08	61	36
90231-KM7-700	34	13	90545-300-000	49	17	91356-GM0-003	54	18		74	10	95701-08016-00	66	10
90301-KGH-901	57	12	90559-K0G-900	57	17	91356-KWV-000	36	11	94050-08080	66	9	95701-08020-00	68	7
	73	13		58	17	91372-KPH-900	25	19	94050-10080	79	2	95701-08025-00	28	19
90301-KWB-600	66	8	90601-001-000	42	23	91509-GE2-760	51	25	94050-12000	37	4	95801-08070-00	51	28
90301-KWN-901	73	14	90601-KAF-003	67	11		53	13	94101-05000	47	10	95801-10045-08	52	11
	75	5	90601-PV3-003	65	12		64	26		67	13	95801-10110-08	79	3
90301-KWW-640	48	10	90603-KPH-900	33	24				94101-08000	70	17			
90302-KWW-A00	53	9	90605-166-720	30	21	92000			94101-12000	71	18	96000		
	73	15		33	25				94102-08000	73	20			
	80	14	90605-200-000	42	24	92101-06010-0A	43	26	94103-06000	62	22	96001-06014-00	53	15
90302-KZV-J00	57	13	90620-SB2-003	78	29	92101-06020-0A	67	12		74	11	96001-06016-00	37	5
	58	14	90651-K03-M61	49	18	92101-06020-4J	46	6		80	18		80	19
	50	19	90651-K14-A31	53	11		78	31	94103-10200	72	6	96001-06016-02	64	32
90304-KGH-901	50	20	90651-KV6-003	78	30	92800-12000	40	16	94111-10000	71	19	96001-06018-00	45	17
90305-GK8-000	64	24	90652-KSJ-A21	60	24	92900-08028-0E	25	20	94201-20150	57	20	96001-06020-00	26	24
90306-K0G-901	57	14	90666-K59-A11	53	12					67	14	96001-06022-00	37	6
90306-KWN-701	56	9		80	15	93000				71	20		49	22
	70	14	90677-KAN-T00	51	24				94201-30300	69	9	96001-06060-00	40	20
90309-KF0-003	51	21		64	25	93301-05012-0J	39	7	94251-06000	61	28	96001-06090-00	26	25
90309-KPH-971	58	15		76	7	93600-04012-1G	49	19	94301-10120	29	5	96100-60010-00	43	28
90401-GB2-000	32	19	90682-735-A01	61	25	93700-05008-0A	68	5		40	17	96100-62010-00	43	29
90403-KPH-900	34	14	90702-KFM-900	30	22	93891-04010-18	45	13	94303-03050	41	9	96100-62030-00	43	30
90404-KWB-600	28	14		36	9	93891-04016-18	45	14	94540-06018	39	8	96220-30085	44	18
90407-259-000	40	12		39	5	93892-05012-18	45	15				96220-40238	39	6
90412-187-000	42	16	90741-003-010	41	7	93892-05020-00	48	11	95000			96600-06016-00	44	19
90412-KPH-900	42	17	90899-422-610	73	17	93892-05025-00	48	12						
90431-GN5-910	32	20				93893-04012-17	49	20	95002-02080	61	29			
90432-086-000	32	21	91000			93894-05012-07	80	16	95002-41300-08	65	14			
90432-KPT-A00	34	15				93903-22420	47	8	95002-80000	65	15			
90433-KWB-601	32	22	91001-K0G-901	41	8	93903-24310	62	17	95003-27057-70	61	30			
90435-HB3-000	44	17	91007-KPH-901	30	23	93903-24380	73	18	95005-45400-20	61	31			
90439-KWZ-900	37	3	91008-KK6-000	34	16				95011-62000	68	6			
90441-286-000	25	14	91011-KWW-741	35	7	93903-24410	53	14	95014-72102	69	10			
90441-KRM-840	42	18	91021-148-004	31	24	93903-25310	64	27	95014-73100	67	15			
90441-ME9-000	25	15	91051-K03-H32	56	10	93903-25380	74	9	95015-32001	67	16			
90443-844-000	30	19	91051-K03-H33	56	10	93903-25580	65	13	95015-42000	67	17			
90443-KTM-970	25	16	91051-K35-V03	58	18	93903-32210	64	28	95015-81000	61	32			
90443-MB0-000	29	4	91051-K35-V04	59	18	93903-34210	51	26	95701-06010-07	78	32			
90452-413-000	42	19	91052-K24-901	59	19	93903-34380	51	27	95701-06012-00	25	21			
90452-KGH-900	42	20	91052-K24-904	59	19		64	29		78	33			
90455-GB2-000	32	23	91053-K03-H02	59	20	93903-34510	62	18	95701-06012-08	46	7			
90461-115-000	42	21	91053-MFJ-D01	40	13	93903-35210	61	26		61	33			
90461-GB4-770	42	22	91055-KVS-F02	59	20		64	30		62	23			
90463-ML7-000	28	15	91101-GB2-000	33	26	93903-35310	64	31		73	21			
90475-KWB-600	28	16	91105-KTM-970	39	6	93903-35410	47	9	95701-06014-00	26	22			
90485-040-000	30	20	91105-KYZ-901	27	15	93913-14220	62	19		40	18			
90501-K0F-T00	73	16	91204-KPH-902	42	25					43	27			
90501-K0G-900	57	15	91208-KPH-901	40	14	94000				78	34			
	58	16	91251-KGH-902	59	21				95701-06016-00	78	35			
90501-KPH-880	51	22	91251-KZR-601	56	11	94001-06000-0S	57	18	95701-06016-08	61	34			
90502-K0G-900	72	5	91301-GGL-J01	45	12		59	22	95701-06018-00	28	18			
90503-K0G-900	47	7	91301-HP2-671	40	15		62	20		40	19			
90503-KBP-900	53	10	91301-PH8-005	25	17	94001-08000-0S	57	19	95701-06020-08	61	35			
90504-K0G-900	46	5	91303-001-010	31	25		70	15	95701-06022-00	45	16			
90505-425-000	57	16	91303-377-000	36	10	94021-06000-0S	62	21	95701-06025-00	38	11			
90505-KPH-880	51	23	91304-KPH-700	25	18		73	19	95701-06030-00	26	23			
90508-K0F-T00	75	6	91307-KRM-840	31	26	94031-12000	70	16	95701-06035-00	39	9			

PART NAME INDEX

Part name	Page	Ref.	Part name	Page	Ref.	Part name	Page	Ref.
[A]								
ACTUATOR ASSY.	62	1	BOLT, CLUTCH ADJUSTING	30	11	BOLT, OIL, 10X22	49	16
ADJUSTER COMP., CHAIN	57	2	BOLT, CYLINDER STUD, 8X203	40	10	BOLT, PIN	55	6
	58	2	BOLT, DISK, 6X17	56	8	BOLT, SEALING, 14MM	28	12
ARM COMP., CAM CHAIN TENSIONER	28	3	BOLT, DRAIN PLUG, 12MM	40	16	BOLT, SETTING	38	4
ARM COMP., EX. VALVE ROCKER ..	27	4	BOLT, FLANGE SOCKET, 6X22	25	13	BOLT, SOCKET SPECIAL, 6X14	64	22
ARM COMP., GEARSHIFT	44	10	BOLT, FLANGE SOCKET, 6X28	36	6	BOLT, SOCKET SPECIAL, 8X18	73	9
ARM COMP., IN. VALVE ROCKER ..	27	3	BOLT, FLANGE SOCKET, 6X35	36	5	BOLT, SOCKET, 6MM	35	6
ARM, RR. BRAKE	57	7	BOLT, FLANGE SOCKET, 6X40	30	16	BOLT, SOCKET, 6X16	44	19
ARM, RR. BRAKE STOPPER	70	7	BOLT, FLANGE, 10X110	79	3	BOLT, SOCKET, 8MM	54	16
AXLE, FR. WHEEL	56	2	BOLT, FLANGE, 10X45	52	11	BOLT, SPECIAL FLANGE, 5X8	32	17
	58	12	BOLT, FLANGE, 10X48	50	14	BOLT, SPECIAL FLANGE, 6X20	34	12
			BOLT, FLANGE, 6MM	65	11	BOLT, SPECIAL, 5X12	50	17
				73	11	BOLT, SPECIAL, 6MM	78	27
				76	5	BOLT, STUD, 8X18	58	13
			BOLT, FLANGE, 6X10	49	14	BOLT, STUD, 8X196	40	11
				78	32	BOLT, STUD, 8X28	25	20
			BOLT, FLANGE, 6X12	25	21	BOLT, SWINGARM PIVOT	70	8
				46	7	BOOT B	55	8
				61	33	BOOT COMP.	49	5
				62	23	BOOT, HEADLIGHT BRACKET	50	13
				73	21		63	5
				78	33		55	7
			BOLT, FLANGE, 6X14	26	22	BOOT, PIN BUSH	55	7
				40	18	BRACKET SUB ASSY., FR.	55	14
				43	27	BRACKET, HEADLIGHT	46	3
				53	15	BRACKET, L. RR. WINKER		
				78	34	MOUNTING	74	8
				37	5	BRACKET, NUMBER PLATE	73	8
			BOLT, FLANGE, 6X16	61	34	BRACKET, R. RR. WINKER		
				64	32	MOUNTING	74	6
				78	35	BUSH, 15MM	42	3
				80	19	BUSH, UPPER RUBBER	72	3
				28	18	BUZZER ASSY.	77	23
			BOLT, FLANGE, 6X18	40	9			
					19			
				45	17	[C]		
				26	24	CABLE COMP. A, THROTTLE	48	1
			BOLT, FLANGE, 6X20	61	35	CABLE COMP. B, THROTTLE	48	2
				37	6	CABLE COMP., SEAT LOCK	62	6
			BOLT, FLANGE, 6X22	45	16	CABLE COMP., SIDE COVER	64	15
				49	22	CABLE, STARTER MOTOR	38	7
				38	11	CALIPER SUB ASSY., R. FR.	55	13
			BOLT, FLANGE, 6X25	26	23	CAMSHAFT COMP.	27	2
			BOLT, FLANGE, 6X30	39	9	CAM, RR. BRAKE	57	5
			BOLT, FLANGE, 6X35	57	21	CAP ASSY., NOISE SUPPRESSOR ..	77	3
				40	20	CAP COMP., FUEL FILLER	60	15
			BOLT, FLANGE, 6X60	26	25	CAP, 14MM	36	7
			BOLT, FLANGE, 6X90	61	36	CAP, 30MM	36	8
			BOLT, FLANGE, 8X14	66	10	CAP, BLEEDER	55	4
			BOLT, FLANGE, 8X16	68	7	CAP, BRAKE PEDAL	67	8
			BOLT, FLANGE, 8X20	28	19	CAP, CHAIN CASE PEEP HOLE	70	5
			BOLT, FLANGE, 8X25	55	15	CAP, CHANGE SWITCH CONTACT	44	14
				51	28	CAP, DUMMY	77	8
			BOLT, FLANGE, 8X70	49	15			
			BOLT, HANDLE LEVER PIVOT	39	7	CAP, FR. GEAR CHANGE PEDAL	67	2
			BOLT, HEX., 5X12	43	26	CAP, LOCK NUT	48	7
			BOLT, HEX., 6X10	46	6	CAP, MAIN STEP	68	3
			BOLT, HEX., 6X20	67	12	CAP, MASTER CYLINDER	49	8
				78	31	CAP, OIL FILLER	30	5
						CAP, RR. GEAR CHANGE PEDAL	67	3



PART NAME INDEX

Part name	Page	Ref.	Part name	Page	Ref.	Part name	Page	Ref.
CAP, SWINGARM END	70	6	COLLAR, TAILLIGHT SETTING	30	15	DRIVER, SCREW	81	4
CASE ASSY.	47	5	CONTACT ASSY., CHANGE SWITCH ..	40	7	DRUM COMP., GEARSHIFT	44	4
CASE COMP., L. FR. BOTTOM	54	15	CONTROL UNIT, SMART	77	13	DUST SEAL, 21X32X5	56	11
CASE COMP., R. FR. BOTTOM	54	6	COTTER, VALVE	27	12	DUST SEAL, 27X40X4.5	59	21
CASE SUB ASSY., AIR CLEANER ..	65	5	COUNTERSHAFT	42	2	DUST SEAL, BRAKE CAM	57	9
CASE, BATTERY	76	3	COUPLER, ENTRY MODE	81	1	DUST SEAL, STEERING HEAD	52	7
CASE, UNDER HALF DRIVE CHAIN ..	70	2	COVER ASSY., FUSE BOX	77	17			
CASE, UPPER HALF DRIVE CHAIN ..	70	1	COVER ASSY., L. RR.	36	3	[E]		
CATCH COMP., SEAT	62	12	COVER COMP., COMBINATION LOCK ..	80	4	ELEMENT COMP., AIR CLEANER	65	2
CENTER, CLUTCH	34	4	COVER COMP., HANDLE UPPER	50	8	EMBLEM, FR. TOP GARNISH	83	3
CHAIN, CAM	28	2	COVER COMP., HEADLIGHT UNDER ..	50	10	EMBLEM, LEG SHIELD	83	4
CHAIN, DRIVE	70	3	COVER COMP., R. BODY	63	1	EMBLEM, PRODUCT	80	11
CIRCLIP, 7MM	30	21	COVER COMP., R. CRANKCASE	30	1	E-RING, 6MM	39	8
	33	25	COVER SET, L. BODY	64	20			
CIRCLIP, EXTERNAL, 17MM	42	23	COVER SUB ASSY., AIR CLEANER ..	65	7	[F]		
CIRCLIP, INTERNAL, 18.8	49	18	COVER, BATTERY	76	4	FENDER COMP., RR.	73	4
CIRCLIP, INTERNAL, 45MM	32	23	COVER, CENTER	63	7	FENDER, FR.	53	1
CLAMPER A, OIL TEMP SENSOR			COVER, COMBINATION & LOCK TOP ..	80	5	FENDER, INNER	73	5
CORD	30	2	COVER, FUEL TANK	60	14	FILTER SET	60	3
	36	2	COVER, HANDLE LOWER	50	9	FLANGE SUB ASSY., FINAL DRIVEN	58	6
CLAMPER, FR. BRAKE HOSE	49	4	COVER, LICENSE LIGHT	73	6	FLYWHEEL COMP.	37	1
CLAMPER, LID HINGE	63	13	COVER, L. CRANKCASE	36	1	FOB ASSY.	77	12
CLAMP, TUBE	60	24	COVER, L. CYLINDER HEAD SIDE ..	25	6	FORK ASSY., L. FR.	54	14
	65	14	COVER, L. FR. FORK	53	4	FORK ASSY., R. FR.	54	1
CLIP, AIR INTAKE DUCT PUSH ...	65	12	COVER, L. SIDE	64	16	FORK, L. GEARSHIFT	44	2
CLIP, BUMPER SEAL	60	23	COVER, MUFFLER	66	6	FORK, R. GEARSHIFT	44	1
	73	12	COVER, OIL FILTER	32	1	FUEL UNIT	60	17
	80	12	COVER, RR. HANDLE	50	11	FUSE, BLADE	77	18
CLIP, PISTON PIN, 13MM	41	5	COVER, R. FR. FORK	53	2			19
CLIP, SLIDE	53	11	COVER, R. SIDE	63	9	[G]		
CLIP, SNAP FITTING	53	12	COVER, SEAT HINGE	62	16	GARNISH SET, FR. TOP	53	6
	80	15	COVER, SLIDER	63	10	GARNISH, L. FR. FORK	53	5
CLIP, SWITCH COVER	67	11	COVER, SPEEDOMETER	50	7	GARNISH, R. FR. FORK	53	3
CLIP, TUBE	61	29	COVER, TAPPET ADJUSTING HOLE ..	25	7	GASKET, CYLINDER	29	2
	65	15	CRANKCASE COMP., L.	40	3	GASKET, CYLINDER HEAD	25	5
CLIP, VALVE GUIDE	25	3	CRANKCASE COMP., R.	40	1	GASKET, EX. PIPE	66	1
CLIP, WIRE HARNESS	61	25	CRANKSHAFT COMP.	41	1	GASKET, L. CRANKCASE COVER ...	36	4
CLUTCH ASSY., ONE WAY	35	2	CUSHION ASSY., RR.	72	1	GASKET, OIL FILTER COVER	32	2
COIL COMP., IGNITION	77	1	CUSHION B, BATTERY	76	2	GASKET, R. CRANKCASE COVER ...	30	4
COLLAR A, HANDLE SETTING	51	22	CYLINDER COMP.	29	1	GEAR SET, SUB	32	13
COLLAR B, HANDLE SETTING	51	23	CYLINDER SET, FR. MASTER	49	12	GEAR, COUNTERSHAFT FIRST	42	4
COLLAR, CAM CHAIN TENSIONER ..	28	4	CYLINDER SUB ASSY., FR. BRAKE			GEAR, COUNTERSHAFT FOURTH	42	10
COLLAR, CLUTCH OUTER	34	3	MASTER	49	6	GEAR, COUNTERSHAFT SECOND	42	6
COLLAR, FR. AXLE DISTANCE	56	4	[D]			GEAR, COUNTERSHAFT THIRD	42	8
COLLAR, FR. FENDER	53	7	DAMPER SET, WHEEL	58	1	GEAR, MAINSHAFT FOURTH	42	9
COLLAR, FR. WHEEL SIDE	56	3	DAMPER, L. LID	64	18	GEAR, MAINSHAFT SECOND	42	5
COLLAR, HEADLIGHT MOUNTING ...	46	5	DAMPER, R. LID	64	19	GEAR, MAINSHAFT THIRD	42	7
COLLAR, HORN SETTING	77	16	DIAPHRAGM	49	10	GEAR, OIL PUMP DRIVE	41	6
COLLAR, LOCK PLATE	42	13	DISK COMP., CLUTCH FRICTION ...	34	6	GEAR, OIL PUMP DRIVEN	39	3
COLLAR, LUGGAGE BOX	60	20	DISK, CLUTCH FRICTION	34	5	GEAR, STARTER DRIVEN	35	1
COLLAR, MAIN SIDE COVER	53	10	DISK, FR. BRAKE	56	7	GEAR, STARTER REDUCTION	35	3
COLLAR, RR. AXLE DISTANCE	58	7	DOWEL PIN, 10X12	29	5	GRIP	81	5
COLLAR, RR. BRAKE PANEL SIDE ..	57	3		40	17	GRIP COMP., THROTTLE	48	5
COLLAR, RR. WHEEL SIDE	58	5	DOWEL PIN, 3X5	41	9	GRIP, L. HANDLE	48	6
COLLAR, RUBBER BUSH	72	2	DOWEL PIN, 8X12	30	22	GRIP, MAIN STAND	63	3
COLLAR, SEAT MOUNTING	62	10		36	9			
COLLAR, STARTER REDUCTION	35	5		39	5			
COLLAR, TAILLIGHT	73	16						
COLLAR, TAILLIGHT MOUNTING ...	75	4						

PART NAME INDEX

Part name	Page	Ref.	Part name	Page	Ref.	Part name	Page	Ref.
GRIP, MAIN STAND UNDER	63	4	LIGHT ASSY., LICENSE	75	3	NUT, U, 5MM	73	14
GROMMET, MAIN PIPE COVER	73	3					75	5
	80	3	[M]			NUT, U, 6MM	57	12
GUARD, OXYGEN SENSOR	25	12	MAINSHAFT	42	1		73	13
GUIDE, CLUTCH OUTER	34	2	MARK, BATTERY CAUTION	82	2	NUT, U, 8MM	58	15
GUIDE, VALVE	25	2	MARK, DRIVE CAUTION	82	5			
[H]			MAT, L. LEG SHIELD	80	10	[O]		
HARNESS, WIRE	77	5	MAT, R. LEG SHIELD	80	9	OIL SEAL, 11.6X24X10	40	14
HEADLIGHT ASSY.	46	1	METER ASSY., COMBINATION	47	1	OIL SEAL, 17X30X5	42	25
HEAD COMP., CYLINDER	25	1	METER COMP., COMBINATION	47	3	O-RING	45	3
HEAD, CAM CHAIN TENSIONER PUSH ROD	28	7	MIRROR COMP.	48	8			4
HINGE COMP., SEAT	62	3	MOTOR ASSY., STARTER	38	1	O-RING, 13.8X2.5	60	2
HOLDER, BRUSH	38	5	MUFFLER COMP., EX.	66	3	O-RING, 15.8X2.4	36	10
HOLDER, DRUM STOPPER	44	6				O-RING, 17X3	54	18
HOLDER, MASTER CYLINDER	49	9	[N]			O-RING, 18X3	31	26
HOOK, HELMET	62	5	NUT-WASHER, 6MM	38	8	O-RING, 21X2.4	40	15
HOOK, MAIN STAND SPRING	69	4	NUT B, BRAKE ROD ADJUSTING	67	17	O-RING, 24.4X3.1	38	9
HORN ASSY.	77	14	NUT, CAP, 10MM	72	4	O-RING, 29X2.4	25	18
HOSE COMP., FR. BRAKE	49	2	NUT, CAP, 6MM	62	21	O-RING, 30MM	36	11
HOSE COMP., FUEL FEED	60	12	NUT, CAP, 8MM	25	16	O-RING, 40.5X3	58	9
			NUT, CLIP, 5MM	73	19	O-RING, 4X2	38	10
[I]						O-RING, 6.3X2.2	45	12
INDICATOR, FR. BRAKE	57	10	NUT, CLIP, 6MM	51	24	O-RING, 74.5X2.5	25	17
INJECTOR ASSY., FUEL	45	9		64	25	O-RING, 8MM	31	25
INNER COMP., ONE-WAY CLUTCH ..	32	6	NUT, FLANGE, 10MM	76	7	O-RING, FUEL PUMP	60	13
INNER, LEG SHIELD	80	6	NUT, FLANGE, 12MM	64	24	O-RING, TAPPET ADJUSTING HOLE CAP	25	19
INSULATOR, IN. PIPE	25	9	NUT, FLANGE, 6MM	79	2	O-RING, THROTTLE BODY	45	2
				37	4	OUTER ASSY., PRIMARY CLUTCH ..	32	11
[J]				49	21	OUTER COMP., CLUTCH	34	1
JET, OIL, 1.0MM	40	2		61	27			
JOINT B, BRAKE ARM	67	16	NUT, FLANGE, 8MM	74	10	[P]		
JOINT COMP., INJECTOR	45	11		51	21	PACKING, DRAIN COCK, 12.5X20 ..	40	12
JOINT SET, DRIVE CHAIN	70	4	NUT, HEX., 10MM	66	8	PACKING, FUEL FILLER CAP	60	16
JOINT, CABLE	62	14	NUT, HEX., 12MM	48	10	PAD SET, FR.	55	2
JOINT, FUEL TUBE	60	11	NUT, HEX., 6MM	70	16	PANEL COMP., RR. BRAKE	57	4
JOINT, TUBE	60	18		57	18	PATCH, FUEL TANK	60	7
			NUT, HEX., 8MM	59	22	PEDAL ASSY., BRAKE	67	7
[K]				62	20	PEDAL ASSY., GEAR CHANGE	67	1
KEY, WOODRUFF, 4MM	41	7	NUT, LOCK, 14MM	57	19	PGM-FI UNIT	78	24
				70	15	PIN	32	16
[L]			NUT, SIDE STAND	34	13	PIN A, PILLION STEP	61	32
LABEL, AIR CLEANER ELEMENT NOTICE	82	4	NUT, SPECIAL, 6MM	69	8	PIN, GUIDE ROLLER	28	9
LABEL, DRIVE CHAIN	82	3		57	13	PIN, HANGER	55	10
LABEL, FUEL & DRIVE	82	6	NUT, SPECIAL, 8MM	58	14	PIN, LOCK, 6MM	61	28
LABEL, TIRE	82	1	NUT, SPRING, 4MM	30	18	PIN, PISTON	41	4
LENS ASSY.	47	4		50	19	PIN, SHIFT RETURN SPRING	44	13
LEVER COMP., CLUTCH	30	7	NUT, STEERING STEM LOCK	53	9	PIN, SPLIT, 2.0X15	57	20
LEVER, R. STEERING HANDLE	49	13		73	15		67	14
LEVER, SIDE COVER	60	21	NUT, TAPPET ADJUSTING	80	14	PIN, SPLIT, 3.0X30	71	20
LID ASSY., R. SIDE	64	14	NUT, U, 10MM	52	3	PIN, SPLIT, 3.0X30	69	9
LID, FENDER INNER	73	7	NUT, U, 12MM	27	14	PIPE COMP., FR. FORK	54	3
				50	20	PIPE COMP., STEERING HANDLE ..	50	1
				56	9	PIPE, IN.	25	8
				57	14	PIPE, SEAT	54	12
				70	14	PISTON	41	3
							55	12



PART NAME INDEX

Part name	Page	Ref.	Part name	Page	Ref.	Part name	Page	Ref.
PIVOT, SHIFT DRUM STOPPER ARM	44	16	ROD COMP., TENSIONER PUSH	28	6	SCREW, TAPPET ADJUSTING	27	13
PLATE ASSY., REFLECTING	47	6	ROLLER COMP., CAM CHAIN GUIDE ..	28	8	SCREW, TAPPING, 3X10	64	28
PLATE COMP., BRAKE	30	12			10	SCREW, TAPPING, 3X16	47	8
PLATE COMP., CLUTCH CAM	30	8	ROLLER, 3X8.5	44	18	SCREW, TAPPING, 4X10	51	26
PLATE COMP., CLUTCH LIFTER ...	30	10	ROLLER, 4X23.8	39	6	SCREW, TAPPING, 4X12	51	27
PLATE COMP., PRIMARY DRIVE ...	32	5	ROLLER, 5X8	33	26		62	17
PLATE COMP., SHIFT DRUM			ROTOR SET, OIL PUMP	39	1			19
STOPPER	44	5	RUBBER A, HANDLE WEIGHT	50	3		64	29
PLATE, BEARING HOLDER	42	18	RUBBER B, SEAT MOUNTING	62	9		73	18
PLATE, CLUTCH	34	7	RUBBER B, STAND STOPPER	68	6		80	17
PLATE, CLUTCH LIFTER	34	9	RUBBER C, SEAT SETTING	62	11	SCREW, TAPPING, 4X16	53	14
PLATE, CLUTCH PRESSURE	34	8	RUBBER, AIR CLEANER GUARD	80	1	SCREW, TAPPING, 4X20	62	18
PLATE, CLUTCH SIDE	32	10	RUBBER, BODY COVER SETTING	60	19	SCREW, TAPPING, 5X12	61	26
PLATE, DIAPHRAGM	49	11	RUBBER, CLUTCH DAMPER	32	12		64	30
PLATE, DRUM LOCK	42	15	RUBBER, CUSHION	62	4	SCREW, TAPPING, 5X16	64	27
PLATE, FIXING	42	12	RUBBER, HANDLE COVER	50	12			31
PLATE, OIL STOPPER	40	6	RUBBER, L. RR. WINKER MOUNTING	74	4		74	9
PLATE, STOPPER	25	4	RUBBER, MAIN STEP	68	2	SCREW, TAPPING, 5X20	47	9
PLATE, SWINGARM SIDE	57	17	RUBBER, MOUNTING	30	6	SCREW, TAPPING, 5X25	65	13
	58	17		47	7	SCREW, U-LOCK FLAT, 6X12	67	10
PLUG, AIR CLEANER DRAIN	65	8	RUBBER, PROTECTOR MOUNTING	66	5		78	28
PLUG, BEARING PUSH	40	4	RUBBER, PROTECTOR PACKING	66	2	SCREW, VISOR SPECIAL SETTING..	73	10
PLUG, CONE TYPE	73	17	RUBBER, RR. FENDER CUSHION	46	4	SEAL SET, FR. FORK	54	13
PLUG, SPARK	25	10	RUBBER, R. RR. WINKER MOUNTING	74	2	SEAL SET, PISTON	55	1
POST ASSY., HANDLE	50	6	RUBBER, SEAL	63	11	SEAL, AIR CLEANER CASE	65	4
PROTECTOR	49	7	RUBBER, SEAT CUSHION	62	7	SEAL, AIR CLEANER COVER	65	3
PROTECTOR, R. COVER	30	3			8	SEAL, DUST	54	7
PULLER, MINI FUSE	81	2	RUBBER, STAND STOPPER	69	5		60	9
PUMP ASSY., FUEL	60	1	RUBBER, STOPPER ARM	57	8	SEAL, VALVE STEM	27	1
PUMP ASSY., OIL	39	2	RUBBER, TAILLIGHT BRACKET	77	10	SEAT B, SPRING	54	9
			RUBBER, TAILLIGHT MOUNTING	75	2	SEAT COMP., SINGLE	62	2
[R]			[S]			SEAT, VALVE SPRING	27	11
RACE, STEERING BOTTOM BALL ...	52	2	SCREEN, OIL FILTER	39	4	SENSOR ASSY., SPEED	40	8
RACE, STEERING BOTTOM CONE ...	52	6	SCREW-WASHER, 4X10	45	13	SENSOR ASSY., THERMOSTAT OIL..	29	3
RACE, STEERING TOP BALL	52	1	SCREW-WASHER, 4X12	49	20	SENSOR SET	45	1
RACE, STEERING TOP CONE	52	5	SCREW-WASHER, 4X14	75	6	SENSOR, OXYGEN	25	11
RECTIFIER COMP., REGULATOR ...	77	4	SCREW-WASHER, 4X16	45	14	SET RING, 20MM	42	24
REFLECTOR, FR. REFLEX	73	1	SCREW-WASHER, 5X12	45	15	SET RING, 25MM	33	24
REFLECTOR, REFLEX	73	2			80	SHAFT, EX. ROCKER ARM	27	6
RELAY COMP., STARTER	77	21	SCREW-WASHER, 5X20	48	11	SHAFT, GEARSHIFT FORK	44	3
RELAY COMP., WINKER	77	20	SCREW-WASHER, 5X25	48	12	SHAFT, IN. ROCKER ARM	27	5
RETAINER COMP., BALL	30	14	SCREW, BLEEDER	55	3	SHAFT, KEY TOP	47	2
RETAINER, FUEL PUMP	60	8	SCREW, FLAT, 4X12	49	19	SHAFT, REDUCTION GEAR	35	4
RETAINER, SPRING	32	14	SCREW, OVAL, 5X8	68	5	SHAFT, RR. BRAKE PIVOT	69	2
RETAINER, VALVE SPRING	27	10	SCREW, OVAL, 6X45	50	18	SHIELD SET, LEG	80	8
RIM, HEADLIGHT	46	2	SCREW, PAN, 5X11.5	51	25	SHIELD, LEG INNER	80	7
RING	38	6		53	13	SHOE SET, BRAKE	57	1
RING SET, PISTON	41	2	SCREW, PAN, 5X14	76	6	SLEEVE, RR. WHEEL	58	4
RING, BACK UP	54	5	SCREW, PAN, 6X10	64	26	SLIDER, CHAIN	70	9
RING, HANDLE WEIGHT SNAP	50	4		64	23	SLIDER, LID HINGE	63	8
RING, OIL SEAL STOPPER	54	11	SCREW, PAN, 6X12	66	7	SPACER, IGNITION COIL	77	2
RING, PISTON	54	8	SCREW, PAN, 6X18	30	17	SPINDLE COMP., GEARSHIFT	44	9
RING, SEAL	45	10	SCREW, PAN, 6X6	70	11	SPRING ASSY., RR. BRAKE RETURN	67	9
RING, STOPPER	54	10	SCREW, SIDE COVER	64	21	SPRING A, BRAKE ROD	67	15
	55	5	SCREW, SIDE STAND PIVOT	69	7	SPRING A, SIDE STAND	69	10
RIVET, PUSH	50	16	SCREW, SPECIAL, 5MM	50	15	SPRING, BEARING PUSH	40	5
RIVET, PUSH, 6MM	53	8				SPRING, BRAKE	30	13
ROD COMP., RR. BRAKE	67	6				SPRING, BRAKE SHOE	57	6
						SPRING, CABLE RETURN	63	6

PART NAME INDEX

Part name	Page	Ref.	Part name	Page	Ref.	Part name	Page	Ref.
SPRING, CAM CHAIN TENSIONER ..	28	5	TUBE, AIR CLEANER CONNECTING ..	65	9	WEIGHT B, STEERING HANDLE	50	5
SPRING, CAM PLATE SIDE	30	9	TUBE, BREATHER	65	1	WEIGHT SET, PRIMARY CLUTCH	32	3
SPRING, CARBON BRUSH	38	3	TUBE, CHARGE	60	4	WHEEL SUB ASSY., FR.	56	5
SPRING, CHANGE FRICTION	42	14	TUBE, VINYL, 11X15X35	65	6	WHEEL SUB ASSY., RR.	58	8
SPRING, CHANGE SWITCH CONTACT	44	15	TUBE, VINYL, 9X13X570	61	30	WINKER ASSY., L. FR.	74	3
SPRING, CLUTCH	34	10				WINKER ASSY., L. RR.	74	7
SPRING, DRAG	34	11	[V]			WINKER ASSY., R. FR.	74	1
SPRING, FR. FORK	54	2	VALVE SET, IDLE AIR CONTROL ...	45	8	WINKER ASSY., R. RR.	74	5
SPRING, GEARSHIFT ARM	44	11	VALVE, EX.	27	8	WRENCH, HEX., 5MM	81	8
SPRING, GEARSHIFT RETURN	44	12	VALVE, IN.	27	7	WRENCH, SPARK PLUG	81	6
SPRING, MAIN STAND	69	3	VALVE, RIM	56	1			
SPRING, ONE WAY RETAINER	32	4		58	11			
SPRING, PAD	55	9	[W]					
SPRING, PRIMARY CLUTCH	32	7	WASHER B, LOCK	32	21			
SPRING, REBOUND	54	4	WASHER, 10.5X26X1.6	72	5			
SPRING, SEAT LOCK	62	13	WASHER, 12X24X2.3	37	3			
SPRING, SHIFT DRUM STOPPER ...	44	8	WASHER, 14.2X26X3	34	15			
SPRING, SIDE FRICTION	32	9	WASHER, 17X23X1.5	32	22			
SPRING, STOP SWITCH	67	5	WASHER, 30X45X0.8	32	19			
SPRING, SUB GEAR	32	15	WASHER, 6.1MM	44	17			
SPRING, VALVE	27	9	WASHER, 8MM	28	16			
SPROCKET COMP., FINAL DRIVEN -	58	3		30	20			
SPROCKET, CAM	28	1	WASHER, 8.5X26X2.3	28	14			
SPROCKET, DRIVE	42	11	WASHER, CLUTCH SIDE	32	8			
STAND COMP., MAIN	69	1	WASHER, LOCK	32	20			
STATOR COMP.	37	2	WASHER, OIL BOLT	49	17			
STAY COMP. A, FR. BRAKE HOSE -	49	3	WASHER, PIVOT BOLT	70	12			
STAY, ACTUATOR	62	15	WASHER, PLAIN, 10MM	72	6			
STAY, HORN	77	15	WASHER, PLAIN, 12MM	71	18			
STAY, LEG SHIELD	80	2	WASHER, PLAIN, 5MM	47	10			
STAY, MUFFLER	66	4		67	13			
STAY, SEAT OPENER	64	17	WASHER, PLAIN, 6MM	62	22			
STAY, SIDE COVER CABLE	60	22		74	11			
STAY, WIRE	45	5	WASHER, PLAIN, 8MM	80	18			
STEM SUB ASSY., STEERING	52	9		70	17			
STOPPER COMP., GEARSHIFT DRUM	44	7	WASHER, RR. AXLE	57	15			
SUB HARNESS, FR.	77	6		58	16			
SUB HARNESS, RR.	77	7	WASHER, SEALING, 10.2MM	29	4			
SUSPENSION, STARTER RELAY	77	22	WASHER, SEALING, 14MM	28	17			
SWINGARM SUB ASSY., RR.	70	10	WASHER, SEALING, 6.5MM	28	15			
SWITCH ASSY., FR. STOP	49	1	WASHER, SEALING, 8MM	25	14			
SWITCH ASSY., HANDLE LOCK	77	11		15				
SWITCH ASSY., RR. STOP	67	4	WASHER, SPECIAL, 12MM	42	20			
SWITCH ASSY., SEAT OPENER	63	2	WASHER, SPECIAL, 12X23	42	17			
SWITCH ASSY., STARTER	48	3	WASHER, SPECIAL, 8MM	54	17			
SWITCH ASSY., WINKER	48	4	WASHER, SPLINE, 17MM	42	21			
			WASHER, SPLINE, 20X1.2	42	22			
[T]			WASHER, SPRING, 10MM	71	19			
TAILLIGHT ASSY.	75	1	WASHER, THRUST, 15MM	42	16			
TANK COMP., FUEL	60	6	WASHER, THRUST, 17MM	34	14			
TERMINAL SET, BRUSH	38	2	WASHER, THRUST, 20MM	42	19			
THREAD COMP., STEERING HEAD			WASHER, THRUST, 8MM	30	19			
TOP	52	10	WASHER, WAVE	55	11			
TIRE, FR.	56	6	WEIGHT A, STEERING HANDLE	50	2			
TIRE, RR.	58	10						
TRAY, FUEL	60	10						
TUBE, 4.5X400	61	31						
TUBE, AIR	60	5						

1

FOREWORD INDEX

2

ENGINE GROUP

3

FRAME GROUP

4

PART NUMBER INDEX

5

PART NAME INDEX

HONDA
The Power of Dreams