

Body Emblem Package Installation (Illuminated Bowtie Instruction ID: 23461744)

Installation Instructions Part Number

23461744

Kit Contents

Qty	Description
1	Emblem Package Gold Bow tie – Body
1	Emblem Assembly Gold Bow tie – Front Grille Illumination
1	Harness Package – Accessory Wiring
1	Harness Assembly – Accessory Wiring
5	Tie Strap – Wiring Harness Attach
1	Installation Instructions
OR	
1	Emblem Package Black Bow tie – Body
1	Emblem Assembly Black Bow tie – Front Grille Illumination
1	Emblem Assembly Black Bow tie – Rear Compartment Illumination
1	Harness Assembly – Accessory Wiring
5	Tie Strap – Wiring Harness Attach

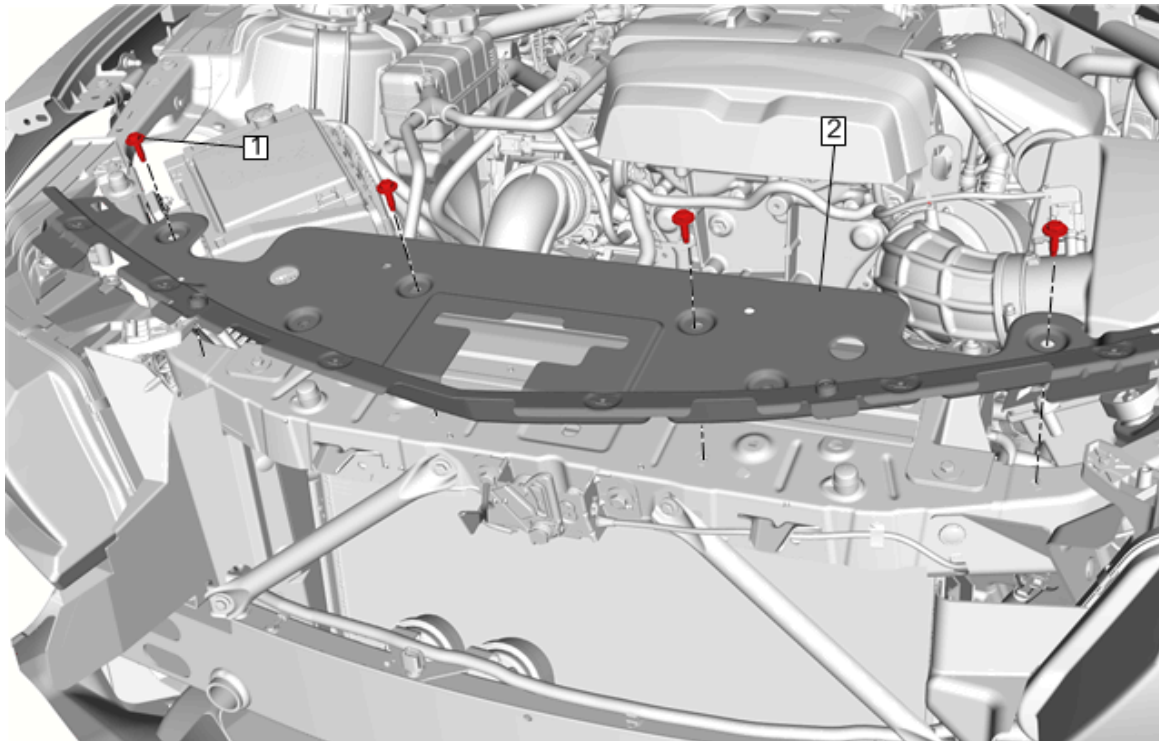
Qty	Description
1	Solvent Package
1	Installation Instructions

Required / Recommended Tools

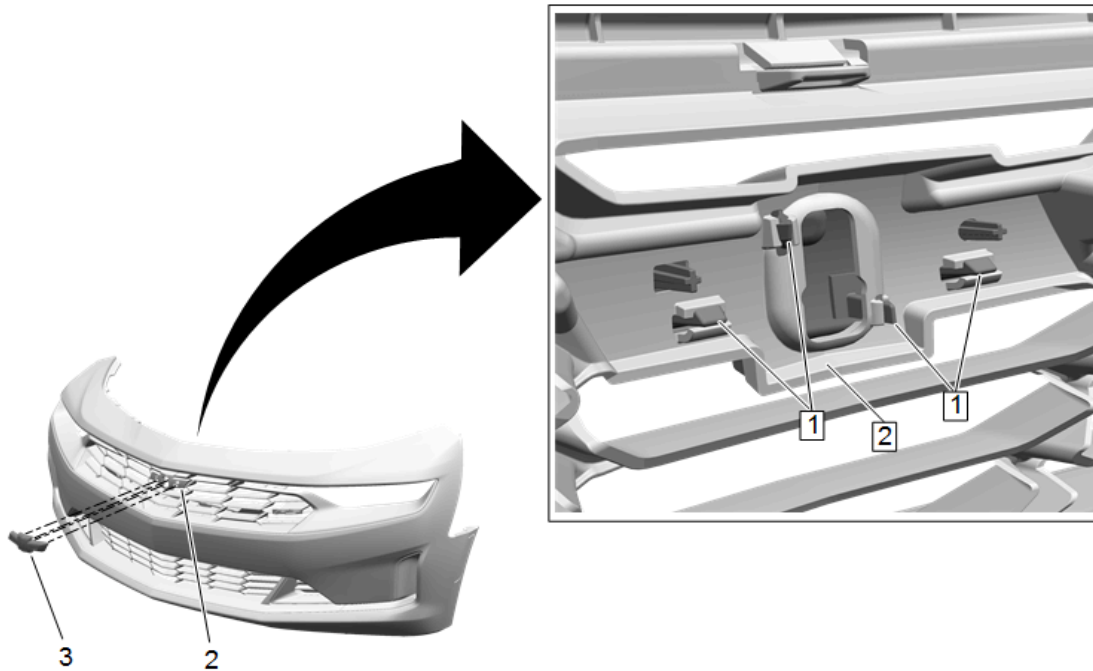
Heat Gun

Procedure

1. Read all instructions before performing procedure.
2. Inspect kit to verify all parts are included.
3. Turn off the vehicle.
4. Remove the front fascia. Refer to [Front Bumper Fascia Replacement](#) in Vehicle Service Manual.

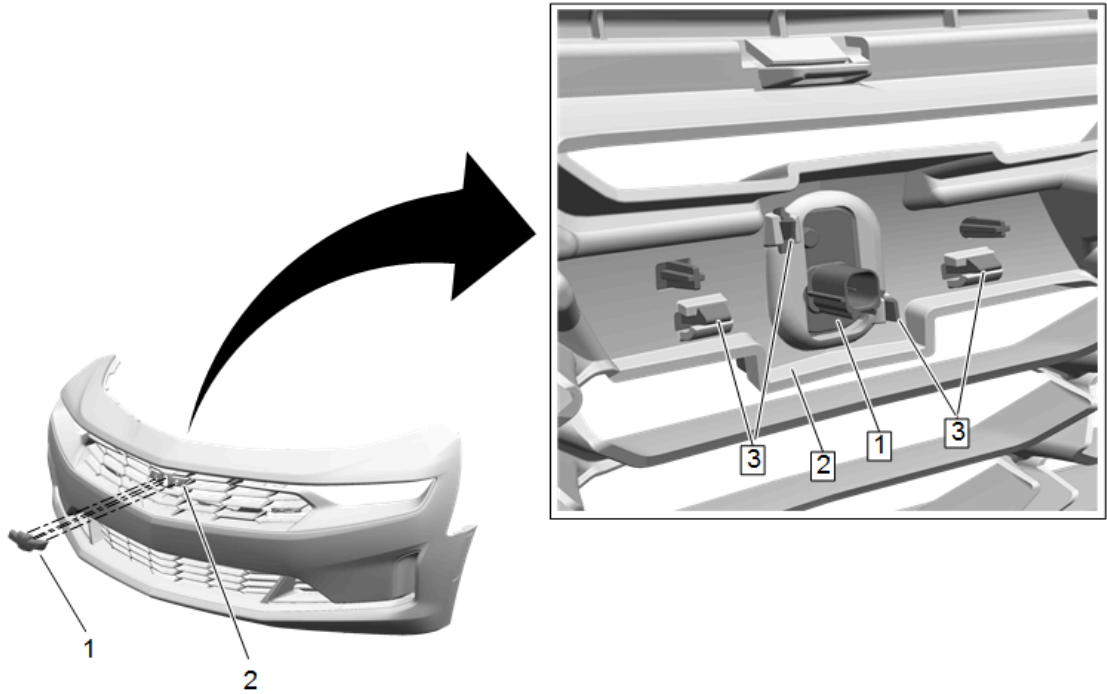


5. Remove the front bumper fascia center support bolts (1).
6. Remove the front bumper fascia center support (2).

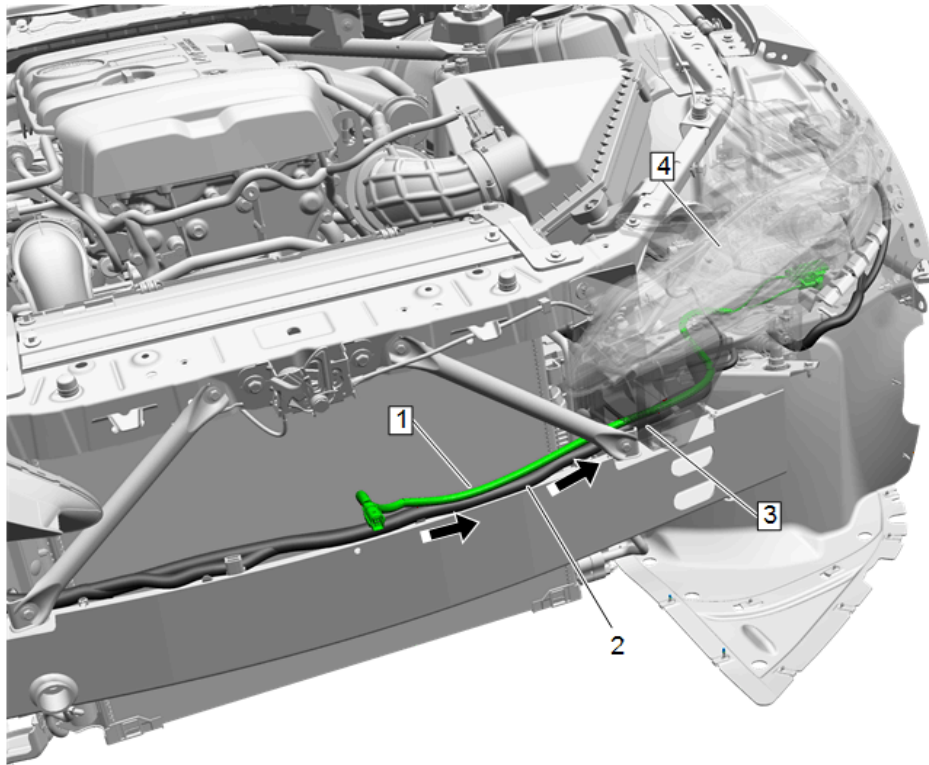


7. Remove the front emblem (3) by disconnecting the retaining tabs (1) on the backside of the grille (2).

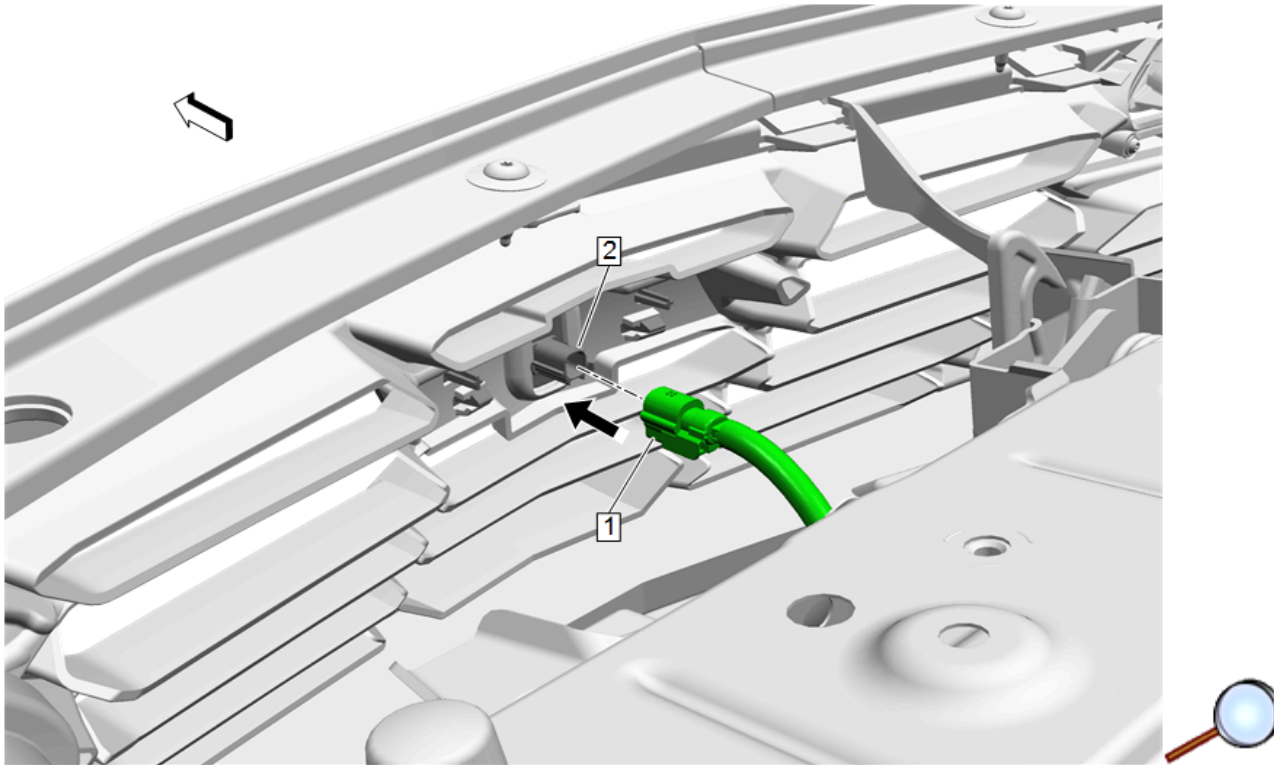




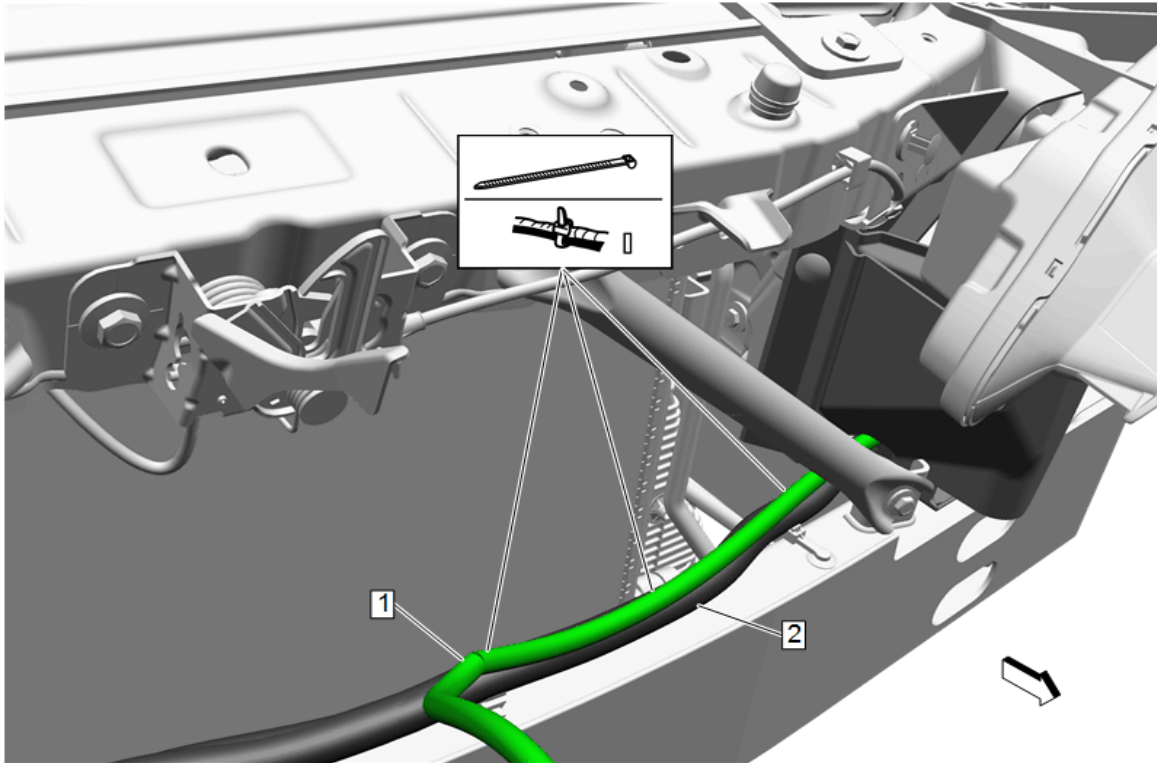
8. Install the illuminated emblem from kit (1) to the grille (2) by engaging the retaining tabs (3) on the backside.



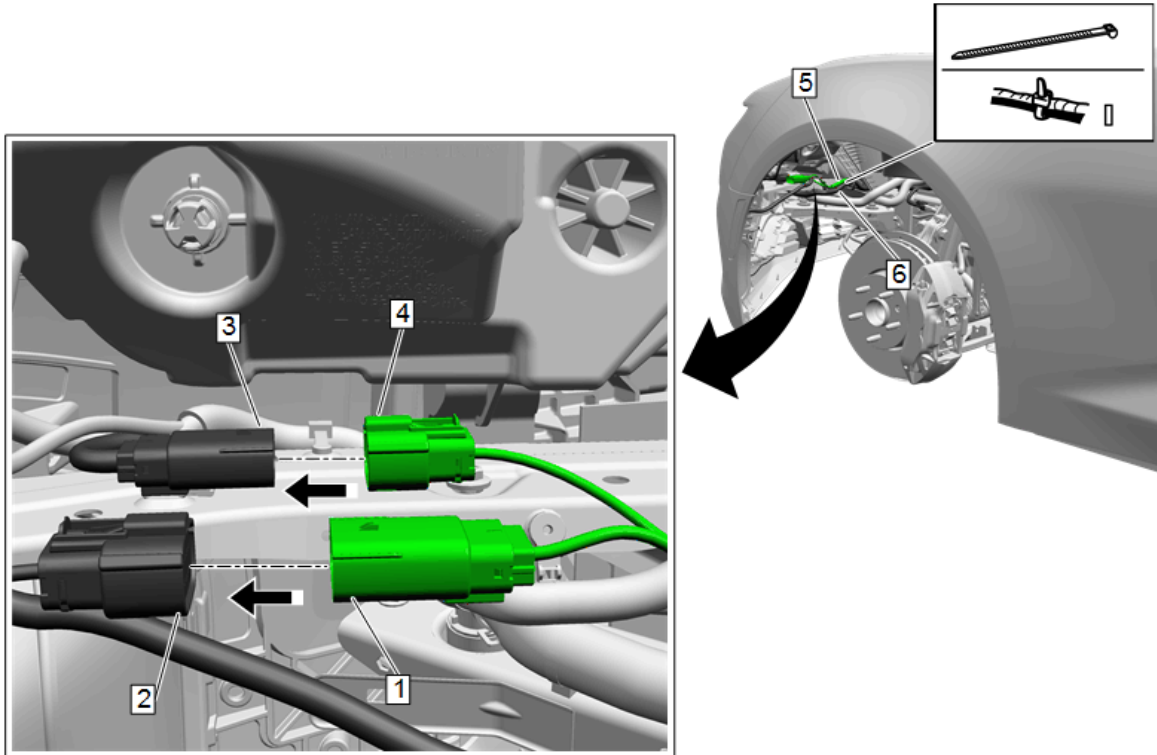
9. Obtain harness package from kit and route double connector end of harness assembly (1) through hole in baffle assembly (3) adjacent to forward lamp harness (2) on the driver side of the vehicle. Continue to route double connector end of harness to the backside of driver side headlamp (4)



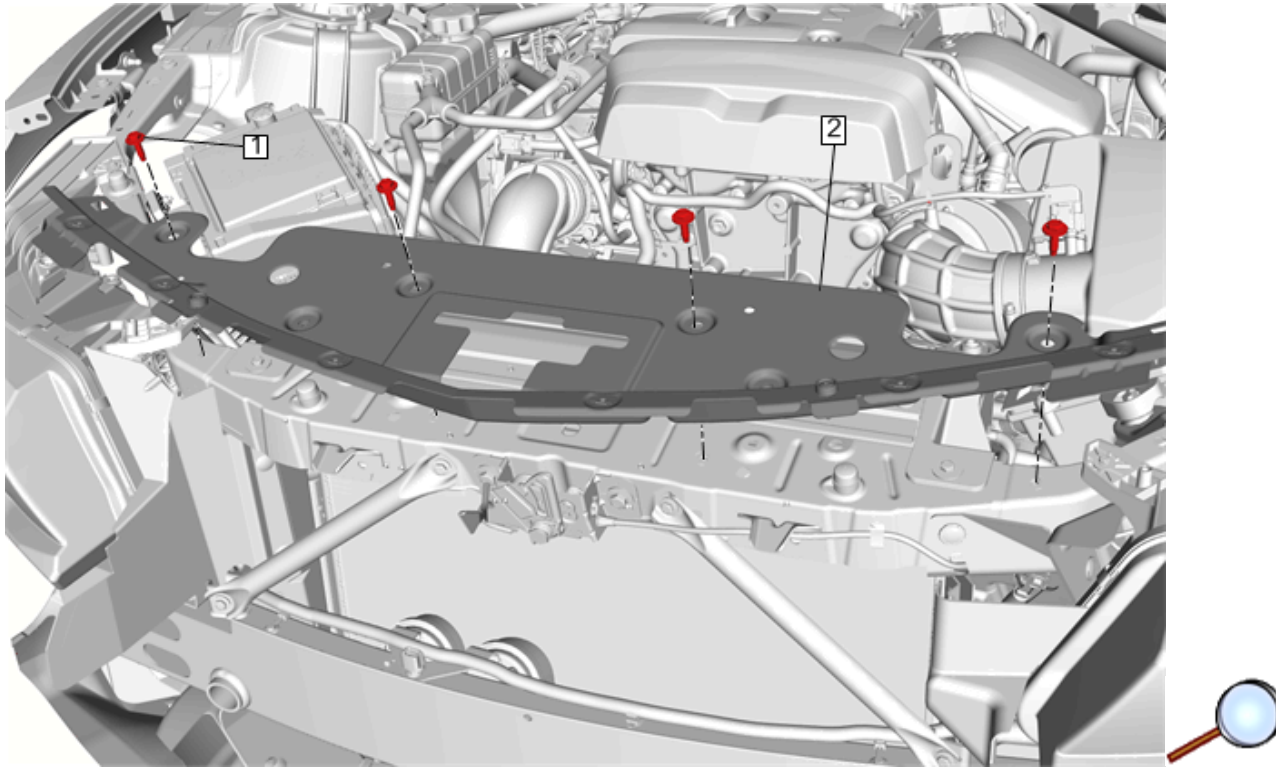
10. Position the front bumper fascia to vehicle and attach jumper connector (1) to the illuminated emblem (2).



11. Secure jumper harness (1) to forward lamp harness (2) as shown with tie straps provided in kit.



12. Refer to graphic above for correct front fascia wiring configuration.
Disconnect front fascia harness connector (2) from the forward lamp harness (3).
13. Connect front fascia harness connector (2) into mating end of jumper harness connector (1).
14. Connect other end of jumper harness connector (4) into forward lamp harness (3).
15. Secure jumper harness (5) to forward lamp harness (6) where feasible to avoid rattle.
16. Bezel light will illuminate when park lamps are active and when headlamps are ON.



17. Reinstall the front bumper fascia center support (2).

Caution: Use the correct fastener in the correct location. Replacement fasteners must be the correct part number for that application. Fasteners requiring replacement or fasteners requiring the use of thread locking compound or sealant are identified in the service procedure. Do not use paints, lubricants, or corrosion inhibitors on fasteners or fastener joint surfaces unless specified. These coatings affect fastener torque and joint clamping force and may damage the fastener. Use the correct tightening sequence and specifications when installing fasteners in order to avoid damage to parts and systems.

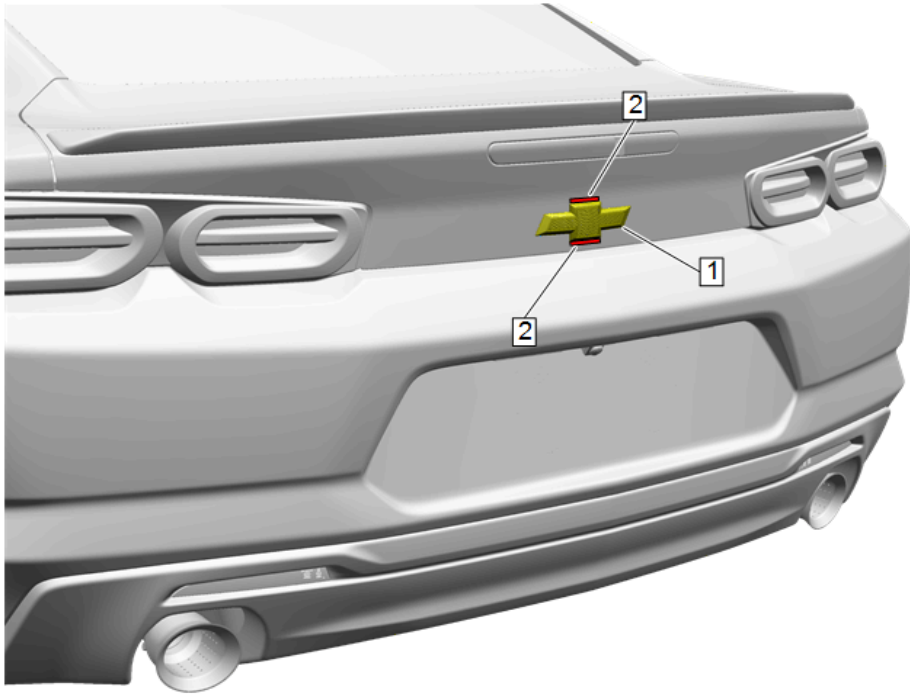
18. Reinstall the front bumper fascia center support bolts (1). Tighten the bolts to 9 N.m (80 lb in).

19. Reinstall front bumper fascia. Refer to [Front Bumper Fascia Replacement](#) in Vehicle Service Manual.

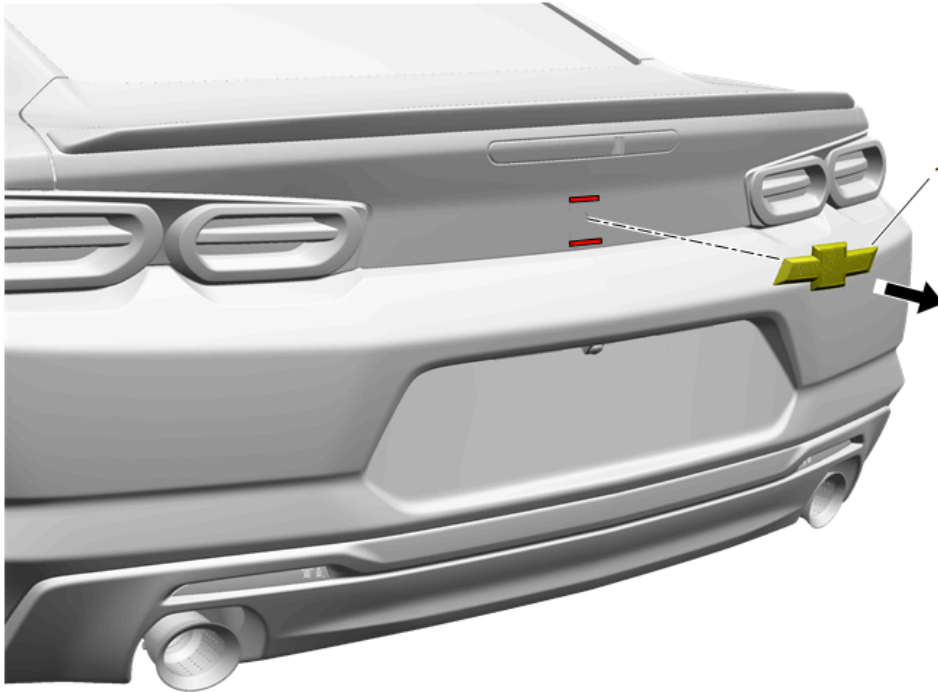
20. If you are installing the illuminated gold bow tie kit, reinstall previously removed components, installation is complete.

21. If you are installing the illuminated black bow tie kit, reinstall previously removed front components and proceed with the installation of the rear black bow tie.

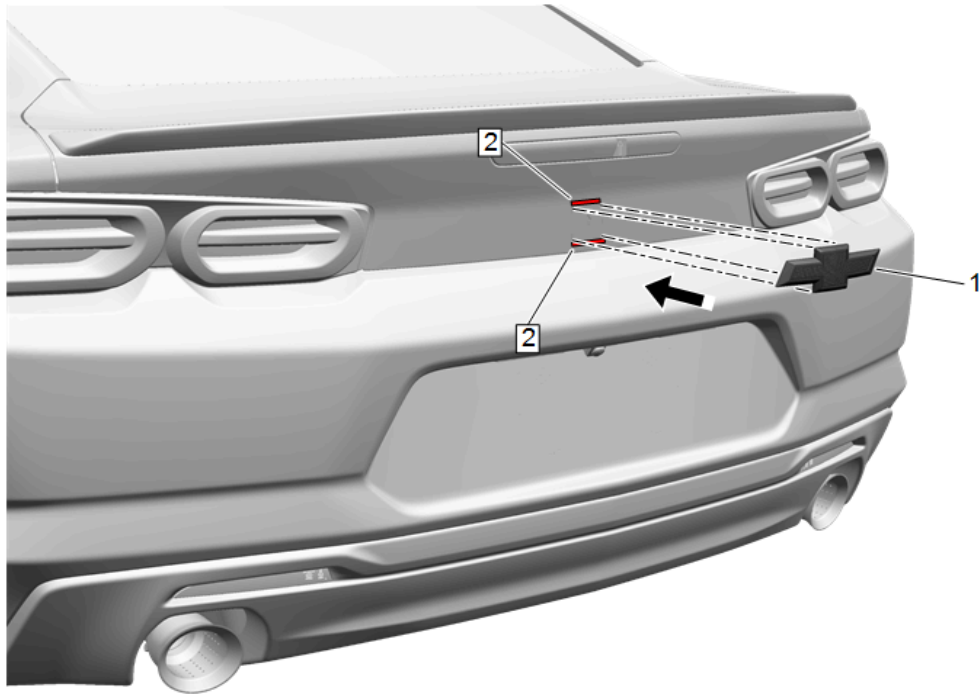
Rear Bow Tie Emblem Replacement



1. Mark position of production emblem (1) with a washable marker or masking tape (2) prior to removal.



2. Use a heat gun or equivalent to remove the emblem (1) from painted sheet metal surface. Carefully use a plastic flat bladed tool to assist in removal.
3. Clean any remaining residue with included solvent wipe or with a 50/50 mixture by volume of isopropyl alcohol and clean drinkable water. Wipe surface dry with a clean lint free towel.



4. When removing protective liners from the adhesive tape, be careful not to touch tape with hands and do not allow tape to come in contact with dirt or any foreign matter prior to adhesion.
5. Position new black emblem (1) carefully within reference marks (2) and place on prepared surface.
6. Using the palm of the hand, wet out the emblem to ensure full adhesion is achieved.