

# P96D2

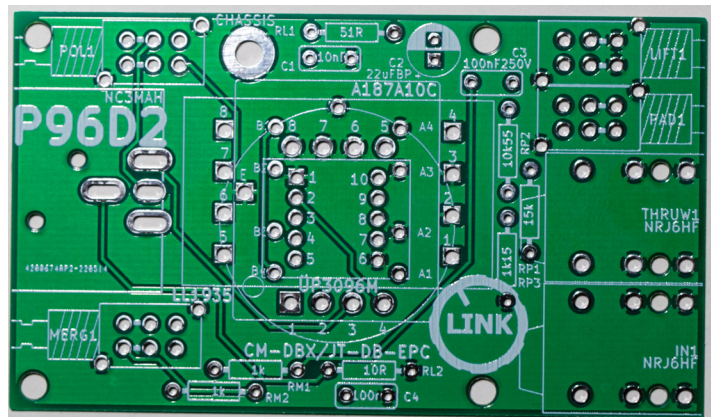
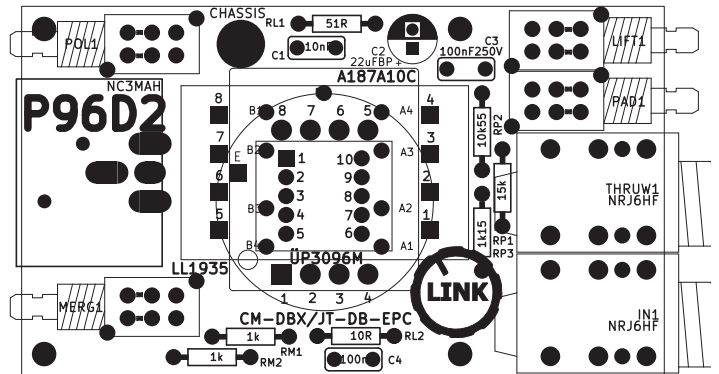
Let me introduce this nice Direct Injection Box as Passive Version. I have designed this DI in Business Card Format 85x55mm. This version works with different consoles or preamps. This version has Ground Lift, Pad, Polarity Switch and Merge Function. The passive version works without power anywhere. It's basically based on Jensen sheets and inspired by Radial Engineering's PASSIV JDI.

## Transformer Options:

- Jensen JT-DB-EPC
- Cinemas CM-DBX
- OEP A187A10C
- Lundahl LL1935
- Pikatron ÜP3096M

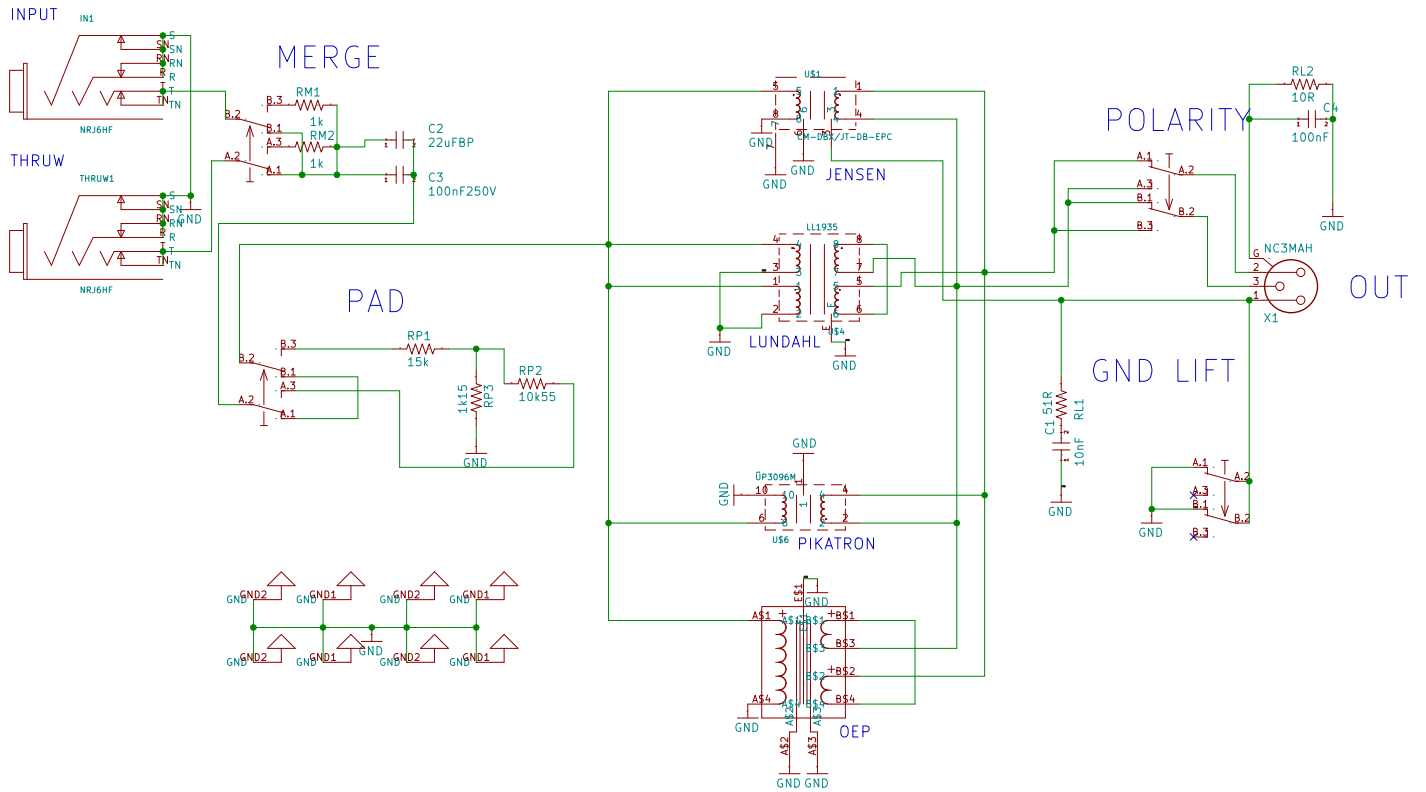
In this sheet you get Schematic, BOM and Overlay. In the future we will add 3D files for printing your own case with a 3D printer. This guide will help with setting up these nice DI boxes. Also check the original guide of the DI boxes in the support area. Have fun!

## PCB layout for reference



**DISCLAIMER:** Proceed at your own risk. I am not liable for any damage, harm or loss of any kind resulting from the assembly and/or use of this PCB set. Safety provisions should always be exercised whenever working with any electronics. The following instructions are guidelines only. I can make no guarantee of the accuracy of contents contained within this document.

# Schematics



## Bill of Materials (BOM)

1	RL1	Resistor	1	51R
2	RL2	Resistor	1	10R
3	RP2	Resistor	1	10k55
4	RP3	Resistor	1	1k15
5	RP1	Resistor	1	15k
6	RM2, RM1	Resistor	2	1k
7	U\$2	Transformer	1	A187A10C
8	PAD1, MERG1, LIFT1, POL1	612-LC2255EENP	4	SWITCH
9	C1	WIMA 5mm	1	10nF
10	C4	WIMA 5mm	1	100nF
11	C3	WIMA 5mm	1	100nF250V
12	C2	Electrolytic	1	22uFBP
13	U\$1	JENSEN	1	CM-DBX/JT-DB-EPC
14	U\$4	LUNDAHL	1	LL1935
15	X1	Neutrik_NC3MAH	1	NC3MAH
16	THRUW1, IN1	Neutrik_NRJ6HF	2	NRJ6HF
17	U\$6	PIKATRON	1	ÜP3096M