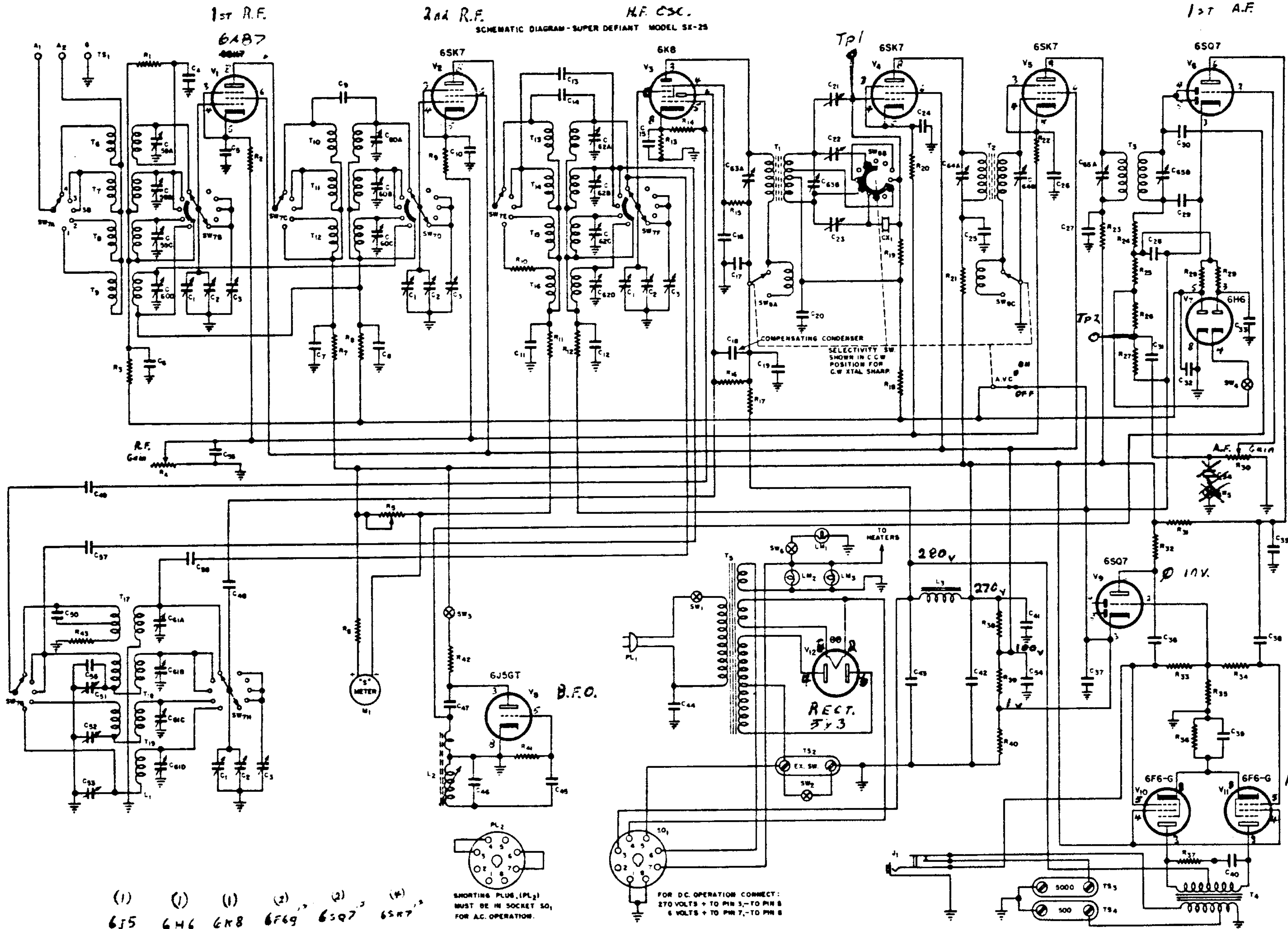


1st DET-MIX  
H.F. CSC.  
SCHEMATIC DIAGRAM - SUPER DEFiant MODEL SX-25

1st I.F.

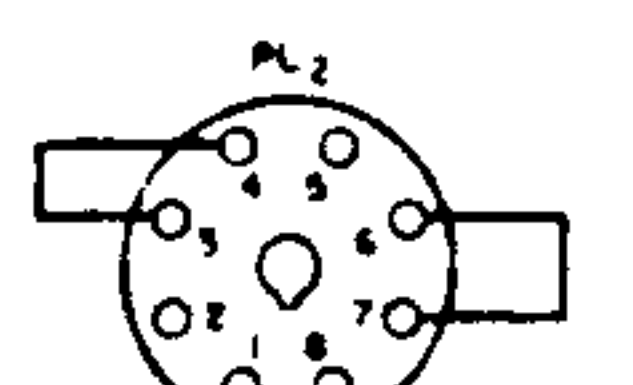
2nd I.F.

2nd DET.-A.V.C.  
1st A.F.



8

- (1) 6J5
- (1) 6H6
- (1) 6K8
- (2) 6F6
- (2) 6SQ7
- (4) 6SR7



SHORTING PLUS (PL2) MUST BE IN SOCKET SO1 FOR AC OPERATION.

FOR DC OPERATION CONNECT: 270 VOLTS + TO PIN 3, - TO PIN 8 6 VOLTS + TO PIN 7, - TO PIN 8

TO +63 v  
A.C. - D.C.  
HEATERS SUPPLY

A.M.

P.P.