

Brand	hansgrohe
Art. Name	S52 S520-F510 Built-in sink 510
Art. Nr.	43359170
Finish	Graphiteblack
Pos.	1

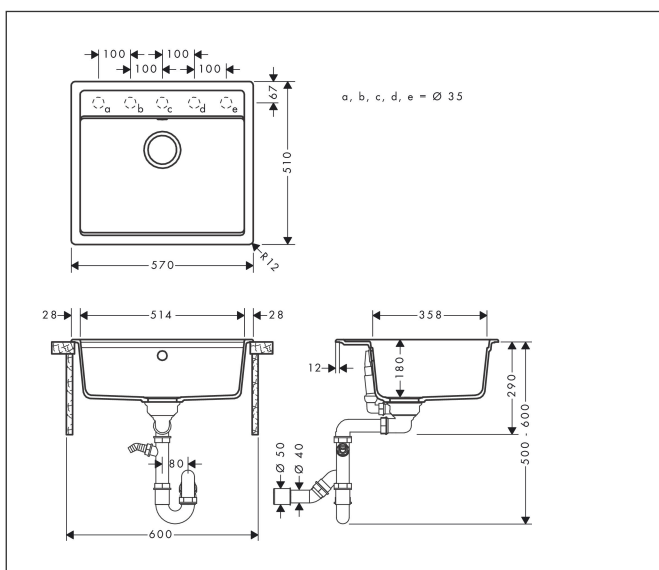
Product picture



Features

- consists of: built-in sink, automatic waste set with siphon
- cut-out dimensions: 550 x 490 mm
- material: SilicaTec
- number of bowls: 1 main bowl
- tap hole for drilling is predefined (see scale drawing), diamond drill included
- cabinet size: 60 cm
- installation type: topmount
- position overflow: on the back centered in the bowl
- sink depth: 180 mm

Drawing



Technology

