

# DURAPOST STEEL FENCE POST SYSTEM



## DESCRIPTION

DuraPost is a patented cold rolled galvanised steel (DX51D Z275NA-C) fence post system manufactured to EN 10346. Lightweight yet stronger and more durable than traditional fence posts, DuraPost offers a maintenance-free fence post solution for both residential and commercial applications.

With 20 µm of galvanisation, pre-galvanised DuraPost are guaranteed for up to 15 years\*. For enhanced resistance to corrosion the steel posts can be powder coated to BS 13438 providing a guarantee of up to 25 years\*.

All powder coatings are salt spray test to 1,000 hours to BS 3900F4, impact resistance to BS 3900E3, scratch resistance to BS 3900E2, and humidity minimum 1,000 hours to BS3900F2.

\*Exclusions apply. For details visit: [birkdalesales.com/durapost/guarantee](http://birkdalesales.com/durapost/guarantee)

## FINISHES

Galvanised



Anthracite Grey  
(RAL 7016)



Sepia Brown  
(RAL 8014)



Olive Grey  
(RAL 7002)



## DURABILITY TESTED

DuraPost has been durability tested to EN 1794-1-2018 with wind speeds of up to 110mph (static load tested to 625kg).



To download the wind test report visit:  
[birkdalesales.com/durapost/wind-tested](http://birkdalesales.com/durapost/wind-tested)



## PATENTS



## REGISTERED COMMUNITY DESIGN:

- 005518057-001
- 006429171-001

WE'RE ALWAYS OPEN AT  
[birkdalesales.com](http://birkdalesales.com)

Tel: 0345 450 9000 Fax: 0345 450 9085  
Email: [mail@birkdalesales.com](mailto:mail@birkdalesales.com)



## DURAPOST STEEL FENCE POST SYSTEM

**DuraPost**<sup>®</sup>  
BY BIRKDALE

Types of fencing that can be created  
with the DuraPost fence post system:



Closedboard fencing



Panel fencing



Hit and miss fencing



Composite board panels

### INSTALLATION RECOMMENDATIONS

For a 1.8m fence height, DuraPost have been designed to be installed 600mm in the ground as per industry norm. DuraPost can be used in a variety of heights and widths and we recommend the installer considers external factors such as ground conditions, wind exposure, style of fencing and overall strength required prior to deciding on the installed fence height and bay width. Classic DuraPosts are designed for fences up to 2m in height, subject to the above mentioned factors. For fences higher than this we suggest use of our Commercial DuraPost which comes in lengths of up to 5m. Note fences over 2m may be subject to local authority planning regulations.

For more examples of fence installations showing the versatility of DuraPost visit [birkdalesales.com/durapost-gallery](http://birkdalesales.com/durapost-gallery)

WE'RE ALWAYS OPEN AT  
[birkdalesales.com](http://birkdalesales.com)

Tel: 0345 450 9000 Fax: 0345 450 9085  
Email: [mail@birkdalesales.com](mailto:mail@birkdalesales.com)



# DURAPOST STEEL FENCE POST SYSTEM

**DuraPost**<sup>®</sup>  
BY BIRKDALE

## DURAPOST POWDER COATING

Powder coating is mainly used for the coating and protection of metals. Polyester powder coating is a type of coating that is applied as a free-flowing dry powder.

Unlike conventional liquid paint which is delivered via an evaporating solvent, powder coating is typically applied electrostatically and then cured under heat or with ultraviolet light.

The powder is a thermoset polymer, which is used to create a hard finish that is tougher than conventional paint.

Polyester Powder Coatings offer durable decorative finishes in a wide range of colours, textures and gloss levels. They are formulated to provide maximum corrosion resistance, colour stability and gloss retention. They are suitable for interior and exterior use and entirely T.G.I.C free (triglycidyl isocyanurate crosslinkers).

All items are coated in accordance with BS-13438.

Our powders have certificated industry standard approval which are available on request.

## Pre-Treatment

To ensure the best adhesion for coatings, all products undergo an eight-stage extensive pre-treatment process.

As part of this process DuraPost use the premier brand for surface technology and process solutions that create competitive advantages across the industrial manufacturing marketplace.

Trusted for reliability, sustainability and proven results, our processes deliver superior operational efficiency.

DuraPost use the latest conversion coating technologies that perform well on all standard substrates of steel, zinc and aluminium. They significantly reduce the environmental impact, while their corrosion performance meets metal finishing specifications for powder coated metal substrates.

## Tested

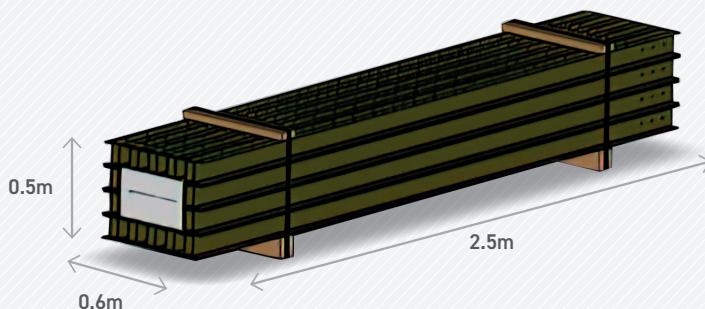
All powder coatings are salt spray test to 1,000 hours to BS 3900F4, impact resistance to BS 3900E3, scratch resistance to BS 3900E2, and humidity minimum 1,000 hours to BS3900F2.

## STORAGE SPACE AND WEIGHT

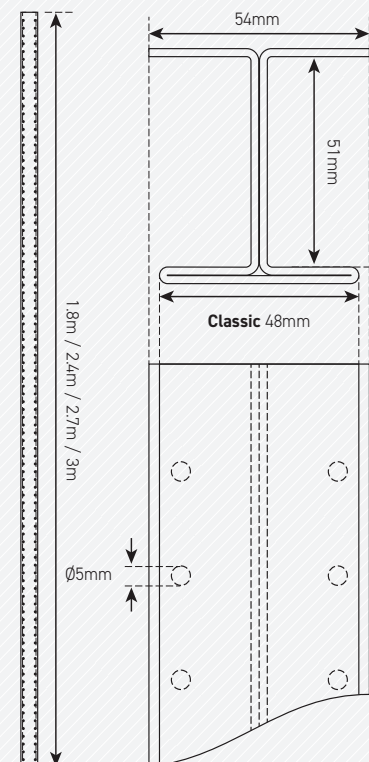
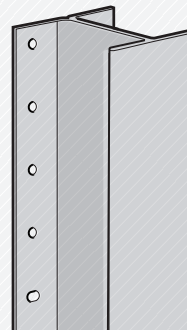
Manufactured in lengths of 1.8m, 2.4m, 2.7m and 3.0m, all DuraPost fence posts come palletised. The unique 'H' design of the posts makes it six times more space efficient when compared to timber or concrete fence posts. The patent design provides a high strength but low weight solution.

FENCE POSTS	WEIGHT PER POSTS	PACK SIZE
1.8m	5.4kg	80
2.4m	7kg	80
2.7m	7.8kg	60
3.0	8.2kg	60

UP TO 80 FENCE POSTS



Classic Post



WE'RE ALWAYS OPEN AT  
[birkdalesales.com](http://birkdalesales.com)

Tel: 0345 450 9000 Fax: 0345 450 9085  
Email: [mail@birkdalesales.com](mailto:mail@birkdalesales.com)

## DURAPOST STEEL FENCE POST SYSTEM

**DuraPost**<sup>®</sup>  
BY BIRKDALE

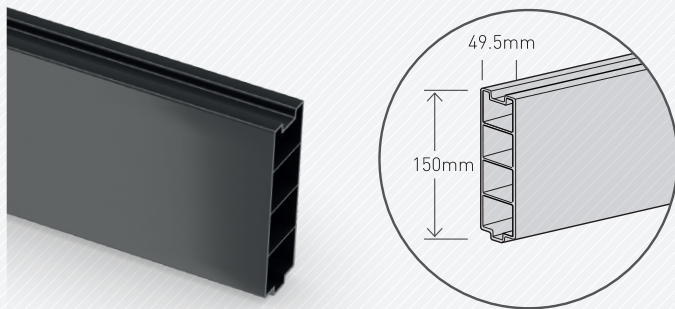
### DuraPost Accessories

#### DURAPOST GRAVEL BOARD

The DuraPost gravel board is extruded from PVCu, manufactured and fully UV stabilised to BS EN ISO 21306-1:2019. The material is extruded with a full through colour so if the board is damaged or scratched during landscaping, the area is not clearly visible and will not cause a detrimental effect to the gravel board.

Over the lifetime of the product a gradual minor loss of shine may be noticeable, but this will have no detrimental effect to the material.

Manufactured in lengths of 1.83m, 2.44m, and 3.0m and available in three matching colours to complement your fence posts: Anthracite Grey RAL 7016, Olive Grey RAL 7002 and Sepia Brown RAL 8014.



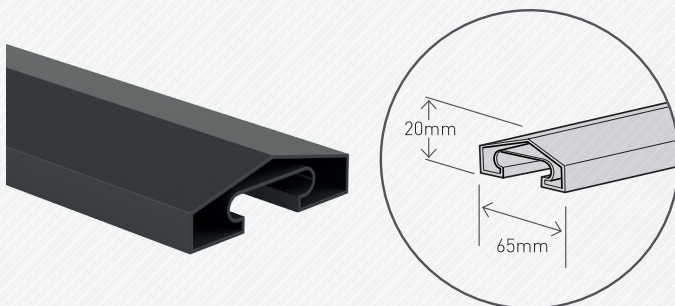
#### CAPPING RAIL

DuraPost capping rails are manufactured from AA 6063 Grade Aluminium to BS EN 12020-1:2008.

The capping rails provide a greater protection for any timber fence as well as enhancing the appearance.

Manufactured in lengths of 1.8m, 2.45m, and 3.0m and available in three matching colours to complement your fence posts: Anthracite Grey RAL 7016, Olive Grey RAL 7002 and Sepia Brown RAL 8014.

All capping rails are powder coated to BS-13438 and are salt spray tested to 1,000 hours to BS 3900F4, impact resistance to BS 3900E3, scratch resistance to BS 3900E2, and humidity minimum 1,000 hours to BS3900F2.

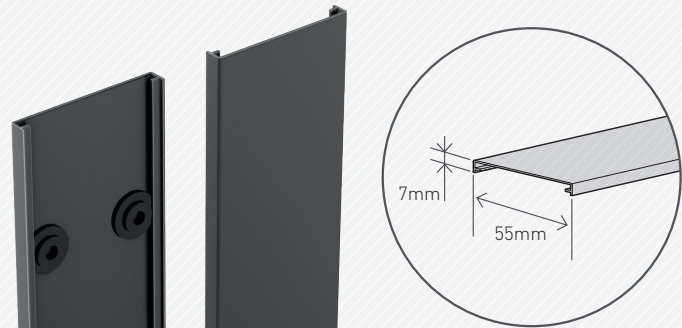


#### COVER STRIPS

DuraPost cover strips are made from AA 6063 Grade Aluminium to BS EN 12020-1:2008. The cover strips add extra security to the fence by concealing the fixing side of the post. This allows for both sides of the fence to be decorative. The cover strips can be easily fitted after any DuraPost installation.

Available for the classic post and u-channel, DuraPost cover strips are manufactured in lengths of 2.1m and available in three matching colours to complement your fence posts: Anthracite Grey RAL 7016, Olive Grey RAL 7002 and Sepia Brown RAL 8014.

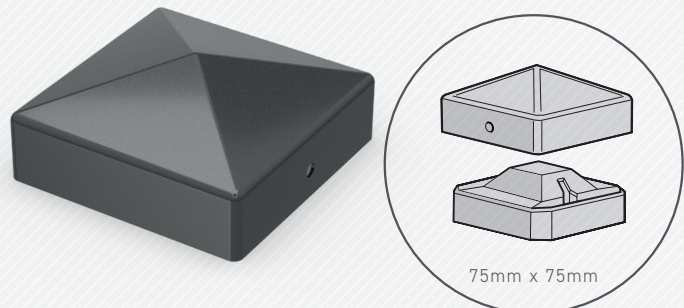
All cover strips are powder coated to BS-13438 and are salt spray tested to 1,000 hours to BS 3900F4, impact resistance to BS 3900E3, scratch resistance to BS 3900E2, and humidity minimum 1,000 hours to BS3900F2.



#### POSTS CAPS

DuraPost post caps are manufactured in galvanised steel (DX51D Z275NA-C) to EN 10346 with 20 µm of galvanisation.

Available in three matching colours: Anthracite Grey RAL 7016, Olive Grey RAL 7002 and Sepia Brown RAL 8014. All post caps are powder coated to BS-13438 and are salt spray tested to 1,000 hours to BS 3900F4, impact resistance to BS 3900E3, scratch resistance to BS 3900E2, and humidity minimum 1,000 hours to BS3900F2.



WE'RE ALWAYS OPEN AT  
[birkdalesales.com](http://birkdalesales.com)

Tel: 0345 450 9000 Fax: 0345 450 9085  
Email: [mail@birkdalesales.com](mailto:mail@birkdalesales.com)

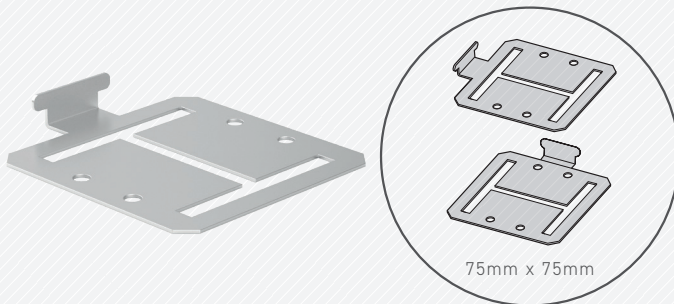
## DURAPOST STEEL FENCE POST SYSTEM

**DuraPost**<sup>®</sup>  
BY BIRKDALE

### DuraPost Accessories CONT'D

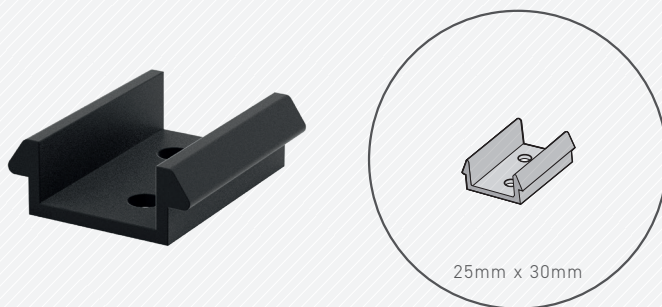
#### IN-LINE BRACKET

DuraPost in-line bracket is used to fix over the classic posts h-shape to align the capping rail on top of the fence. Made from DX-51-275 – Pre-Galvanised Steel and available in packs of 10.



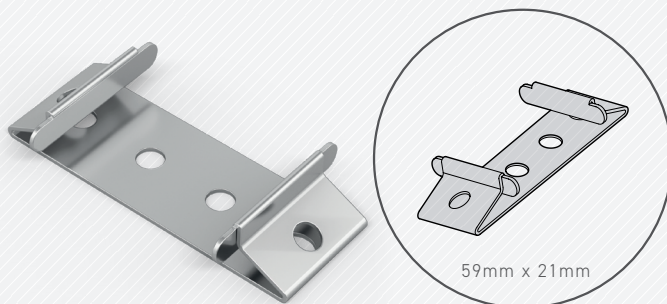
#### CAPPING RAIL CLIP (BLACK)

DuraPost capping rail clip (Black) is used to fit capping rail and is easy to fit after the fence is assembled. Made from Nylon 66 UV-Stabilised and available in packs of 10.



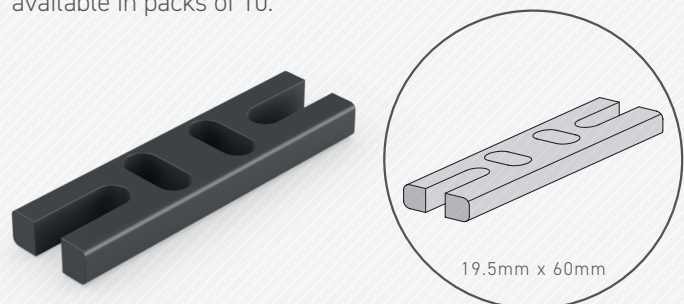
#### CAPPING RAIL CLIP (BZP)

DuraPost capping rail clip (BZP) is used to fit capping rail and is easy to fit after the fence is assembled. Made from Bright Zinc Plated Steel and available in packs of 10.



#### CAPPING RAIL PACKER

The capping rail packer is used when attaching capping rail fixings to the DuraPost gravel board. The packer allows for the capping rail clips to be at the same height as the top of the DuraPost gravel board. Made from Polypropylene and available in packs of 10.



#### COLOUR MATCHED SCREWS

DuraPost colour matched screws are made from nonresulfurized carbon steel.

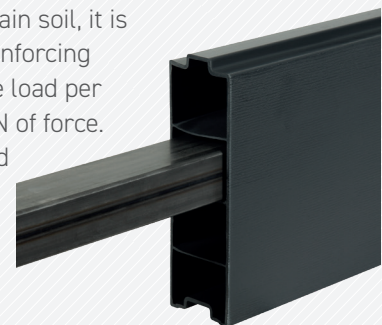
Available in three matching colours to complement your fence posts: Anthracite Grey RAL 7016, Olive Grey RAL 7002 and Sepia Brown RAL 8014. Available in packs of 10 or boxes of 200.

DuraPost colour matched screws are powder coated to BS-13438 and are salt spray tested to 1,000 hours to BS 3900F4, impact resistance to BS 3900E3, scratch resistance to BS 3900E2, and humidity minimum 1,000 hours to BS3900F2.



#### REINFORCING RODS

Using gravel boards to retain soil, it is recommended to fit the reinforcing rods. This will increase the load per 1.8m gravel board to 1.5KN of force. The rods are manufactured from steel tube manufactured to EN 10255:2004 and Hot Dip Galvanized to BS EN ISO 1461:2009.



WE'RE ALWAYS OPEN AT  
[birkdalesales.com](http://birkdalesales.com)

Tel: 0345 450 9000 Fax: 0345 450 9085  
Email: [mail@birkdalesales.com](mailto:mail@birkdalesales.com)



DuraPost Accessories CONT'D

**CORNER GATE POSTS WITH U CHANNELS**

DuraPost Gate Posts are manufactured to EN 10255:2004 and galvanised to BS EN ISO 1461:2009 with 60 µm of galvanisation. Available in lengths of 1.8m, 2.4m and 3m.

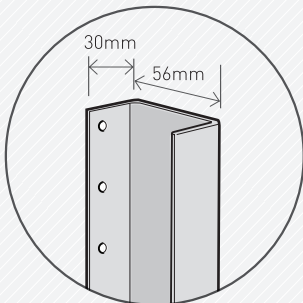
The DuraPost U Channel is manufactured from cold rolled galvanised steel (DX51D Z275NA-C) to EN 10346 with 20 µm of galvanisation. Available in lengths of 1.8m, 2.1m and 3m.

Available in three matching colours:



All gate posts and U Channels are powder coated to BS-13438 and are salt spray tested to 1,000 hours to BS 3900F4, impact resistance to BS 3900E3, scratch resistance to BS 3900E2, and humidity minimum 1,000 hours to BS3900F2.

**Gate posts loading:** Single gates of heights of 1.8m and width of 1m, the gate posts will hold gates up to 100KG



**Gate post loading**

75mm square tube DuraPost Gate post Ignoring any hinge calculations just based on three heavy duty Tee hinges.

**Please see loading calculations**

