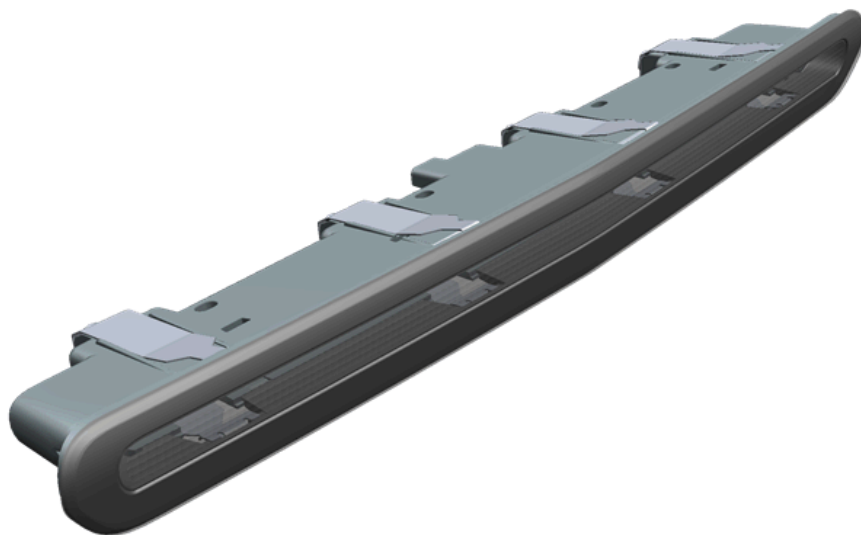


High Mount Stop Lamp Package Installation (Installation ID: 84468411)

[Center High Mount Stop Lamp](#)

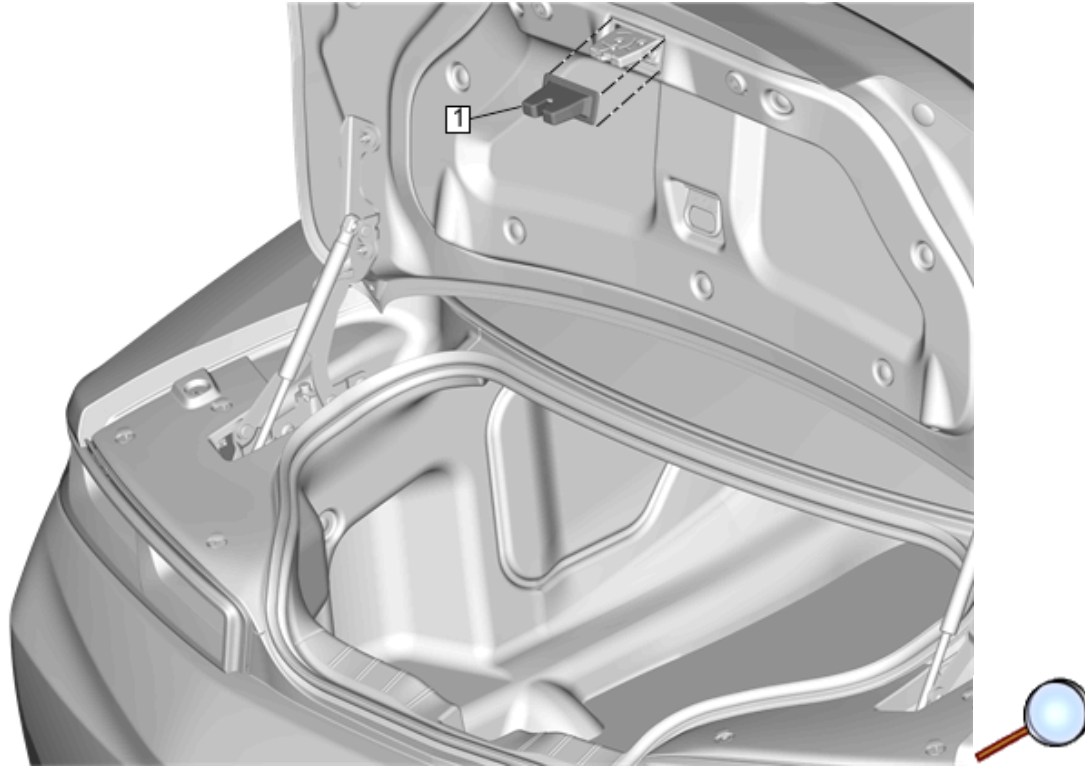
84468411



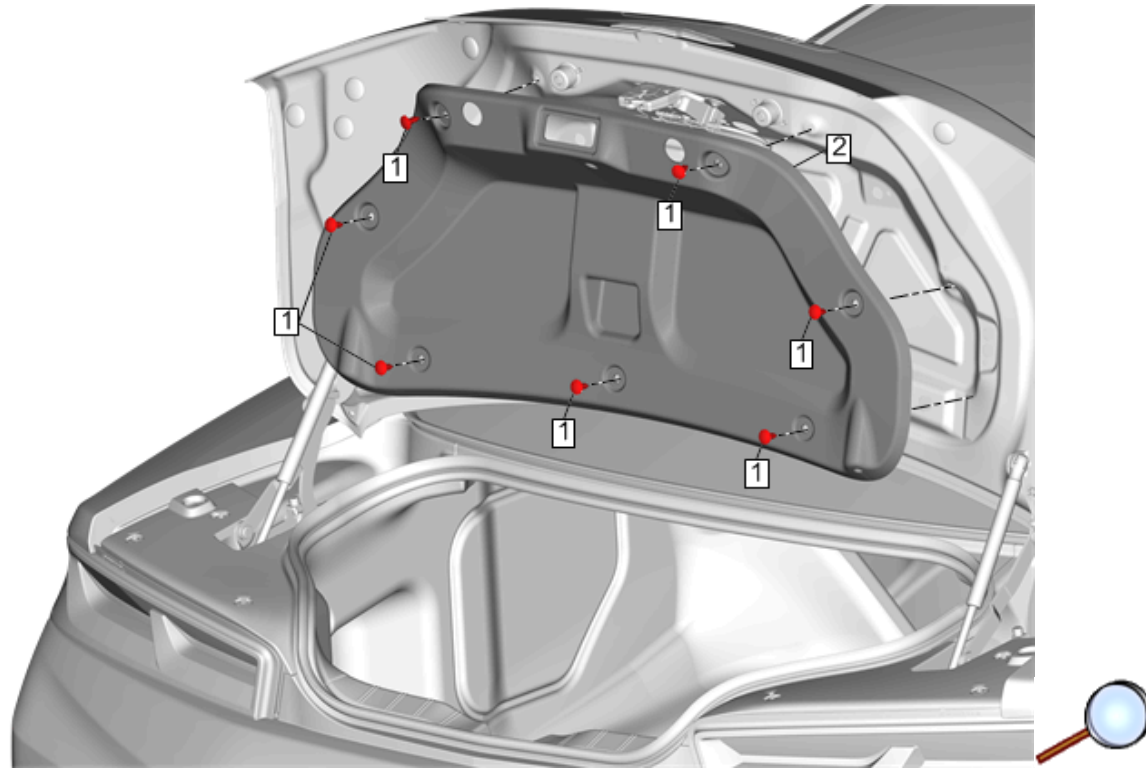
Kit Contents

Qty	Description
1	Center High Mount Stop Lamp
1	Installation Instructions

Removal Procedure

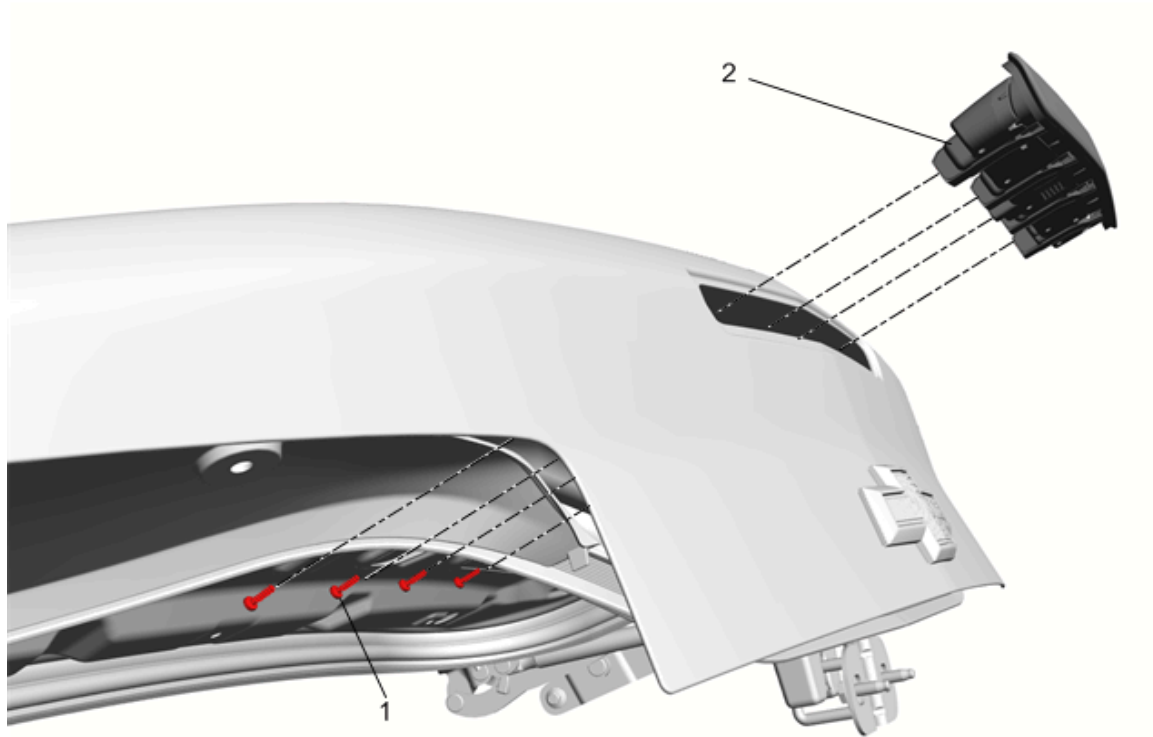


1. Use a small flat-bladed tool to pull and release the rear compartment latch cover (1).



2. Use a flat-bladed plastic tool to remove the rear compartment lid inner panel trim retainer (1).
3. Remove the rear compartment lid inner panel trim.

Note: Ensure the auxiliary rear compartment latch release handle is routed through the rear compartment lid inner panel trim.



4. Disconnect the electrical connector.
5. Remove high mount stop lamp fasteners (1).
6. Remove the high mount stop lamp (2) from the vehicle.
7. Clean the area with a 50/50 mixture of isopropyl alcohol and clean drinkable water to remove any gasket adhesive residue.
8. Dry the area with a clean dry cotton cloth.

Note: When removing the protective liner from the new high mount stop lamp gasket, do not allow the tape to come in contact with dirt or any foreign matter.

9. Install the new accessory high mount stop lamp (2).

Caution: Refer to [Component Fastener Tightening Caution](#).

10. Install and tighten fasteners (1) to **2.5N•m (22 lb in)**.
Install previous removed components in reverse order.