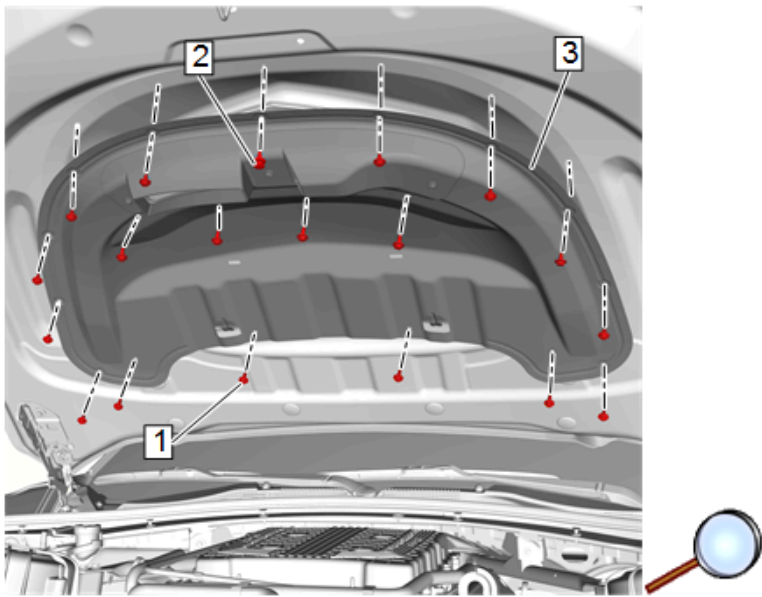


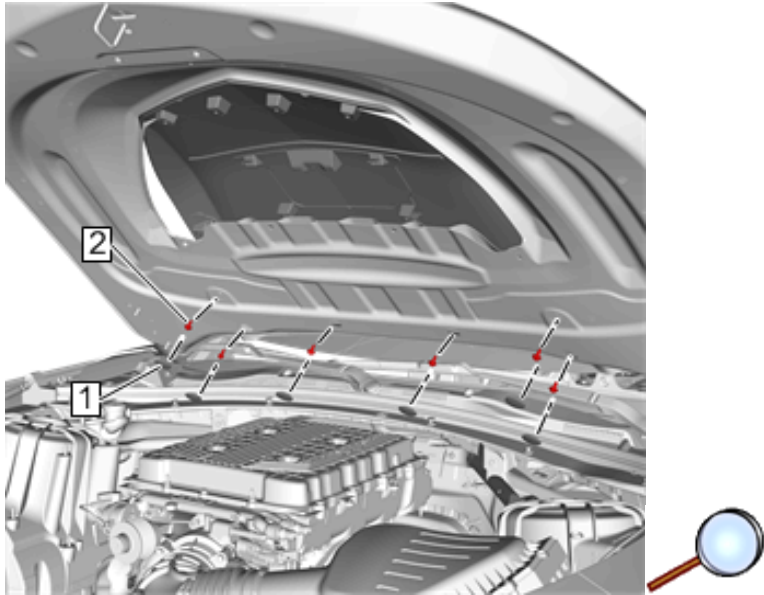
Hood Air Scoop Replacement (With ZL1, 1LE)

Removal Procedure

1. Open the hood.

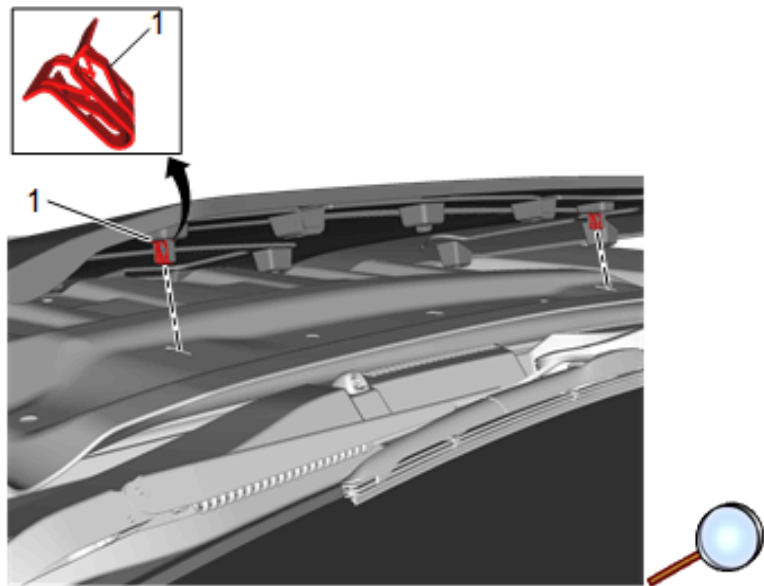


2. Hood Water Deflector Bolt (1)»Remove[18x]
3. Hood Water Deflector Retainer (2)»Remove
4. Hood Water Deflector (3)»Remove

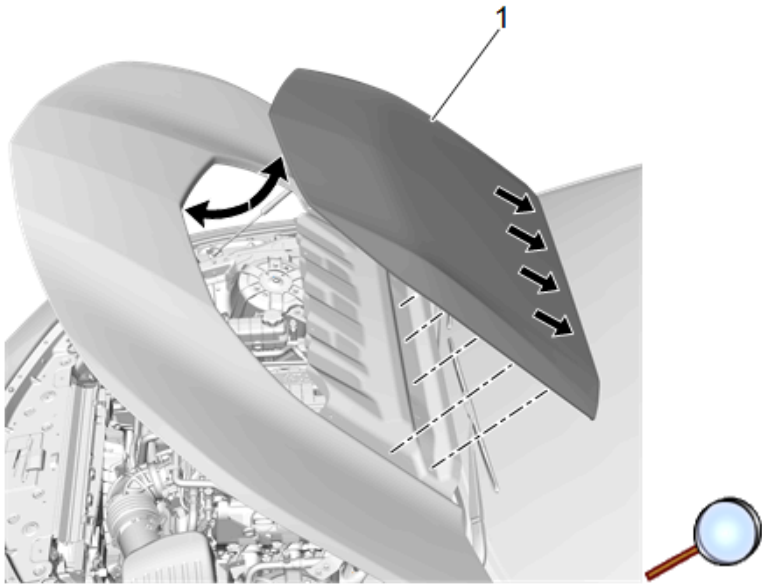


5. Hood Scoop Bolt Cap (1)»Remove[6x]

6. Hood Scoop Bolt (2)»Remove[6x]

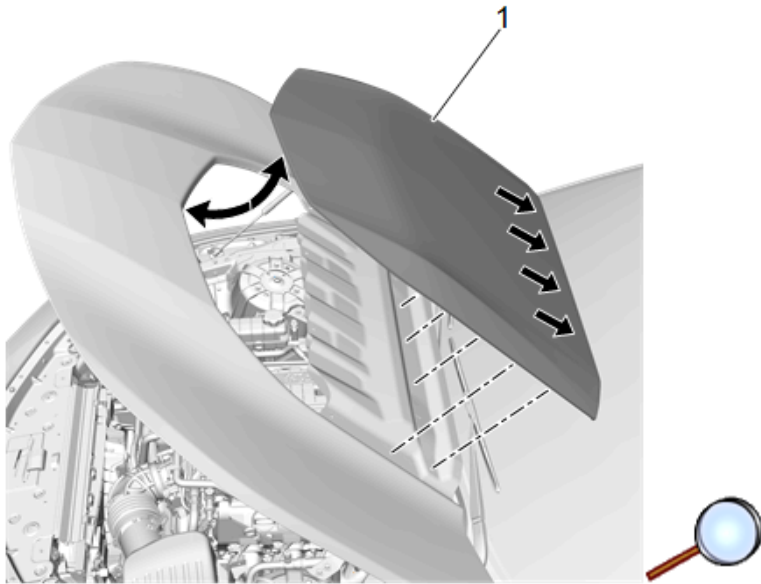


7. Using a trim tool at the rear of the hood scoop release the clips. (1)[2x]

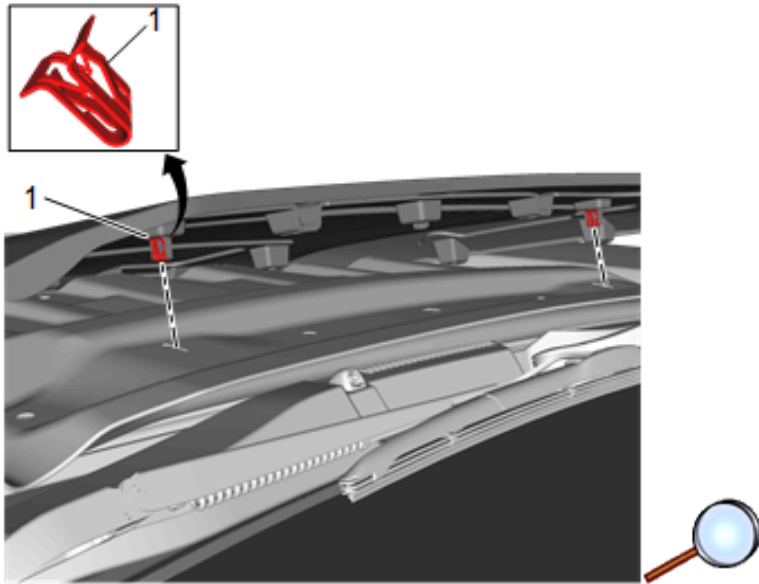


8. Apply masking tape to where the hood and the front of the hood scoop meet.
9. Apply heat to the rear portion of the hood scoop. (1)
10. With the aid of an assistant, lift the rear part of the hood scoop(1) up and slide the front of the hood scoop rearward out from under the hood.

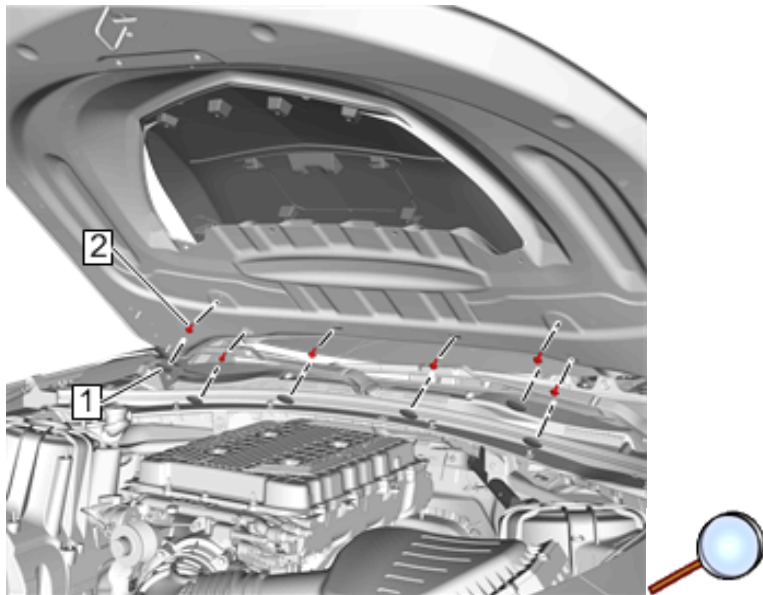
Installation Procedure



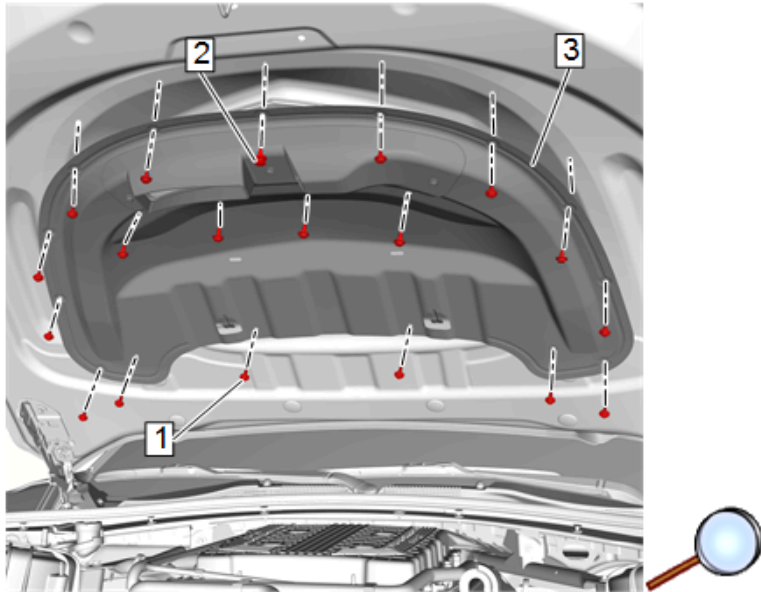
1. Clean the rear portion of the hood with a 50/50 mixture by volume of isopropyl alcohol and clean drinkable water to remove any left over adhesive residue.
2. When removing protective liners from the adhesive tape, be careful not to touch tape with hands and do not allow tape to come in contact with dirt or any foreign matter prior to adhesion.
3. With the aid of an assistant, slide the front part of the hood scoop (1) under the hood and seat the rear half of the hood scoop to the hood.



4. Hood Air Scoop Clip(1)» Install[2x]



Caution: Refer to [Fastener Caution](#).
5. Hood Scoop Bolt (2)»Install and tighten [6x]4.5N•m (40 lb in)



7. Hood Water Deflector (3)»Install
8. Hood Water Deflector Bolt (1)»Install and tighten [18x]**4.5N•m (40 lb in)**
9. Hood Water Deflector Retainer (2)»Install
10. Close the hood.