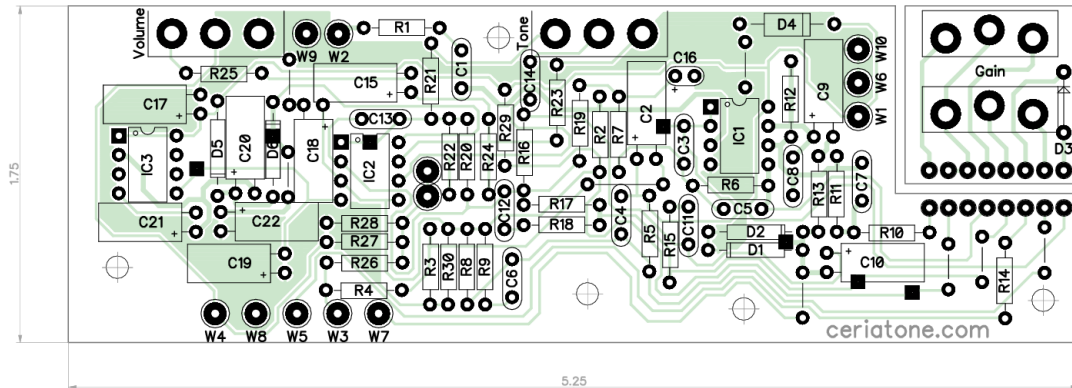


Centura™ DIY Kit Instructions



© 2017 Ceriatone Amplification

<http://www.ceriatone.com/>

nik@ceriatone.com - for ordering purpose

kilopp@hotmail.com - backup email address

Content

1. Introduction
2. Schematic Diagram
3. Circuit Diagrams
4. Bill of Materials and Parts Check List
5. Wiring Diagram

Introduction

Dear Customer,

Thank you for purchasing the Ceriatone Centura™ DIY kit and welcome to our community!

This assembly manual will guide you through the build process with clear and easy to follow instructions. Ceriatone guarantees that your kit will be complete and that all parts and components will arrive as described, functioning and free of defect. Needless to say - you will still need a basic tooling, such as approximately 30W soldering iron (don't go to crazy with power - we won't solder high flow water pipes today), quality 60/40 1 mm solder, and solder pump, wire clippers, and strippers, and digital multimeter for troubleshooting. Remember to keep your soldering iron and workspace clean. Wear protective equipment such as safety goggles, never solder in shorts or open footwear and keep your room well ventilated.

Even though we tried our best to keep this document easy to follow, don't hesitate to get in touch with us for additional help if needed, We will do our best to help you as much as humanly possible.

nik@ceriatone.com

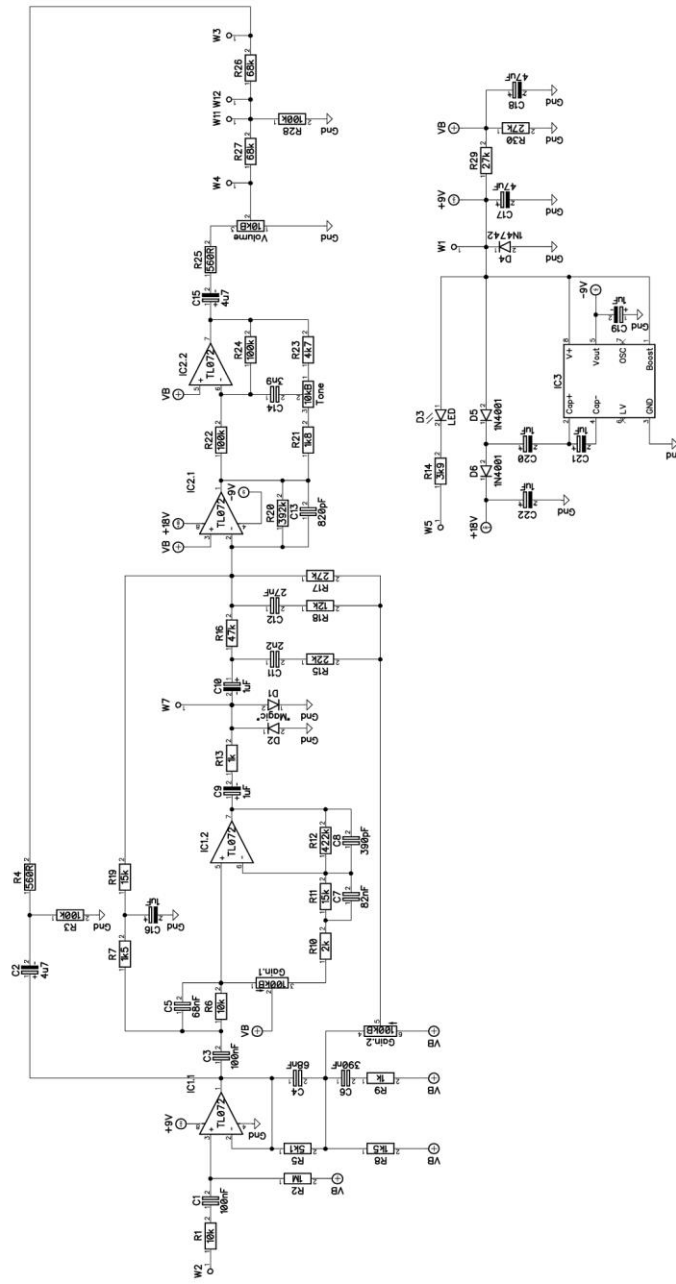
You could also like to meet other Ceriatone users at our community Ceriatone Facebook Group for news and social chats:
www.facebook.com/groups/ceriatone

Please don't forget to visit our website at www.ceriatone.com for more information about other Ceriatone products

Happy building and playing!
Thanks - Team Ceriatone

Schematic Diagram

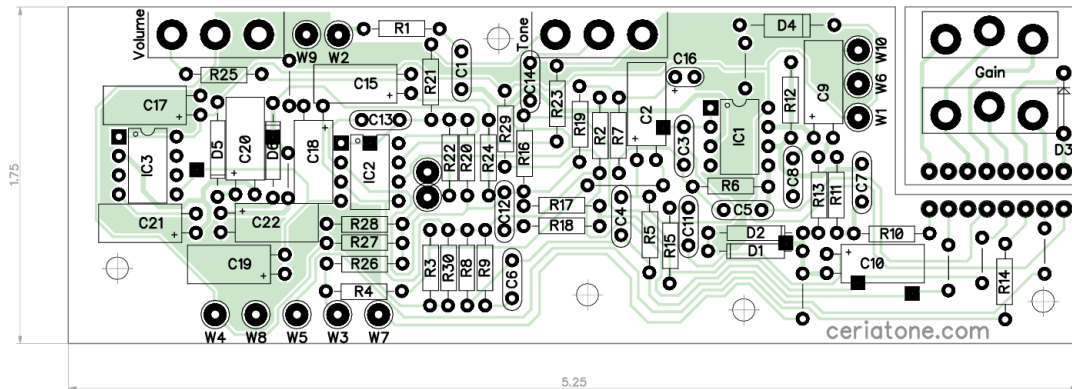
(zoom-in for better view)



Circuit Diagrams

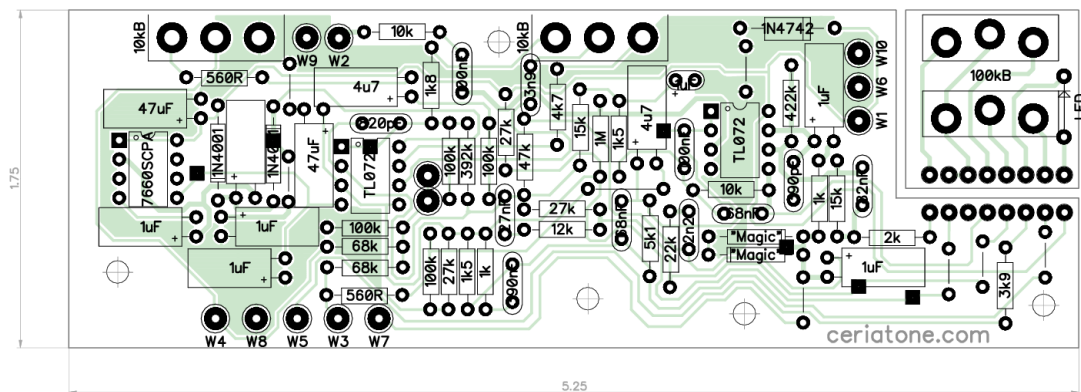
(zoom-in for better view)

Printed Circuit Board (PCB) supplied to you contains part values only with no component names such as R1, R2, C1, C2, etc., for ease of use. PCB layout presented below shows such component numbers for easy schematic - to - layout reference for troubleshooting reference (zoom-in for better view).



Below you can see the same board layout but with component values as on the PCB you have in your kit.

a) Standard Circuit

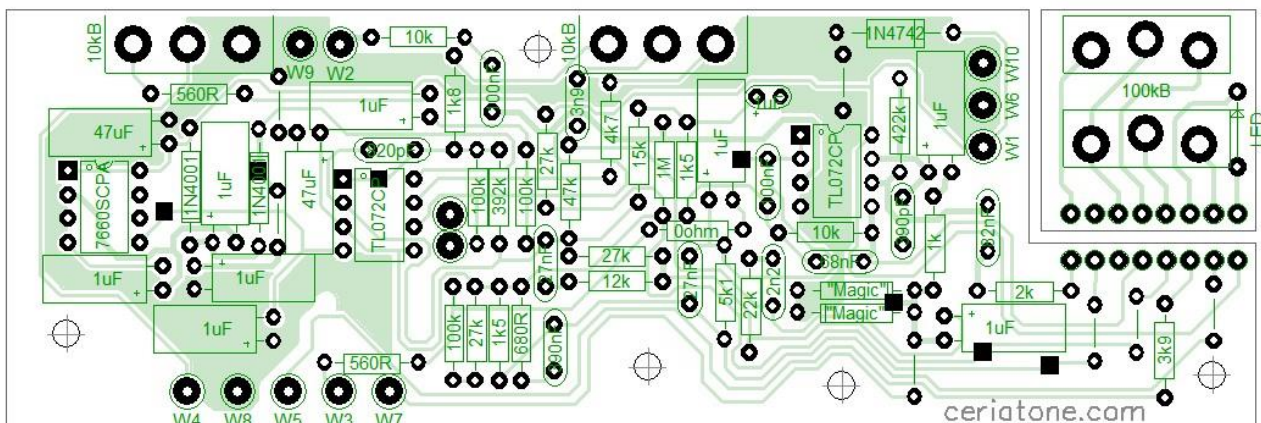


For the Centura kit, we offer 2 circuits, Standard, and Early. The Standard is based on a confirmed great sounding unit, while the Early one is based on one from our own personal collection

The differences to the Early circuit are the following:

- i) R26, R27, R28 (100k, 68k, 68k) are absent
- ii) C15, C2 are 1uf 50V electrolytics instead of 4.7ufs.
- iii) R9 is 680 instead of 1k.
- iv) R11 is absent (15k, mids sweetening resistor)
- v) C4 is 27n, instead of 68n.

b)Early Circuit




- * - optional "sweeter mid" resistor. Absent in early spec units
- * - Anti-pop resistor network. Absent in early spec units, no sonic impact.

The kit consists of components to make both versions. We invite you to try it both ways, to see which you prefer.

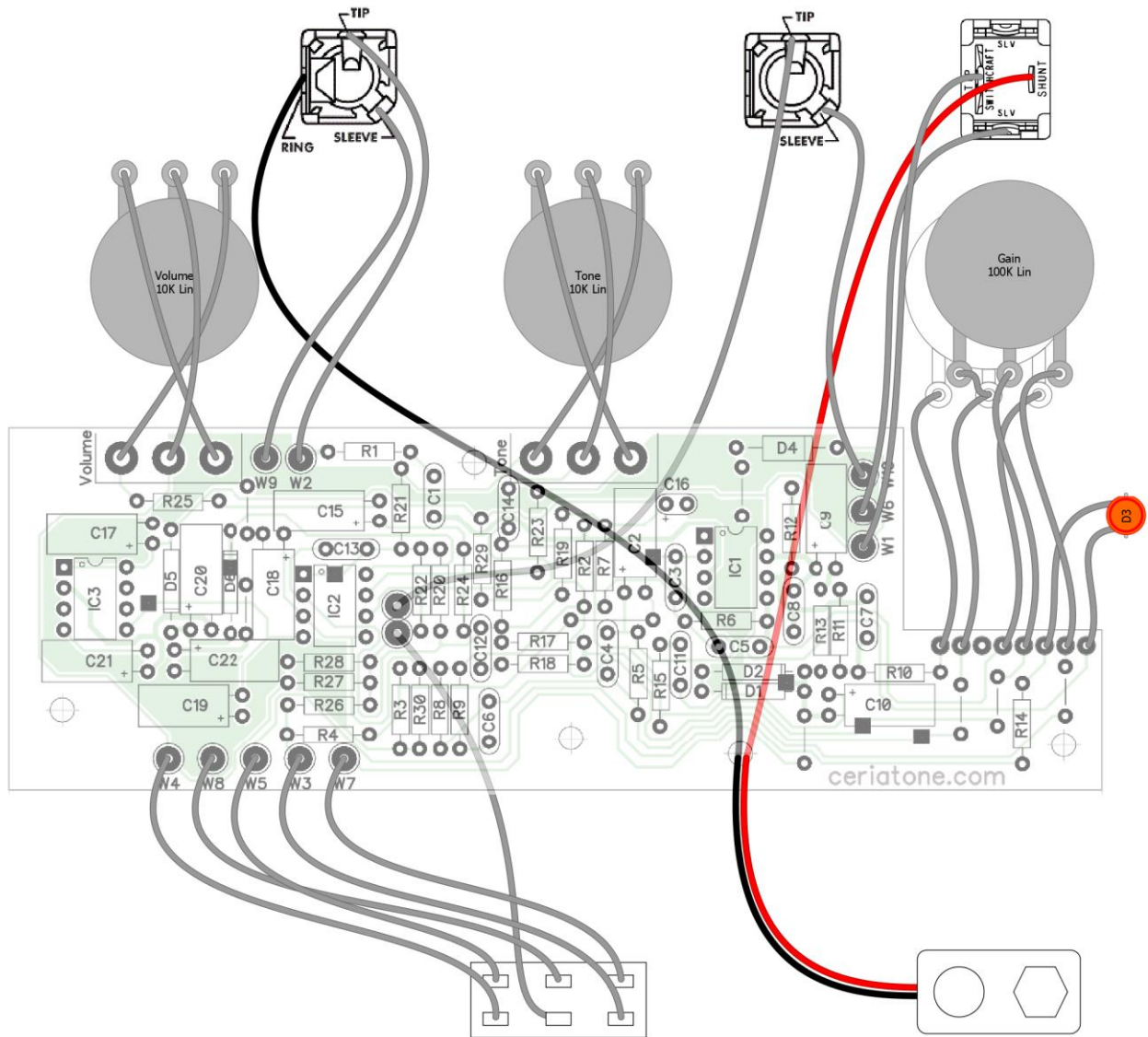
The Early Circuit seems to be slightly brighter, and gainier. However, the difference is slight.

Note also the missing R26,R27,R28 makes the switching a bit poppy, thus you might want to have these still, and wire per Later Circuit, even if you opt for Early Circuit for the other differences (ie, the wire from stomp switch to Tip of Out Jack).

Bill of Materials and Parts Check List

RESISTORS		CAPACITORS		IC	
560R x 2	R4, R25	390pF x 1	C8	TL072CP	IC1
1k x 2	R9, R13	820pF x 1	C13	TL072CP	IC2
1k5 x 2	R7, R8 (MF)	2n2 x 1	C11	ICL7660SC PAZ	IC3
1k8 x 1	R21	3n9 x 1	C14	POTS	
2k	R10 (MF)	27nF x 1	C12	Gain	10kB
3k9 x 1	R14 (or 4K7)	68nF x 2	C4, C5	Tone	10kB
4k7 x 1	R23	82nF x 1	C7	Volume	100kB stereo
5k1 x 1	R5 (MF)	100nF x 2	C1, C3	DIODES	
10k x 2	R1, R6	390nF x 1	C6	1N4001	D5, D6
12k x 1	R18 (MF)	1uF x 7	C9, C10, C16(Tantalum), C19, C20, C21, C22	1N4742	D4
15k x 2	R11, R19	4u7 x 2	C2, C15	Germanium	D1, D2
22k x 1	R15	47uF x 2	C17, C18	5mm LED	D3
27k x 3	R17, R29, R30		OTHER		
47k x 2	R16 (or R14)		Printed Circuit Board		
68k x 2	R26, R27		Enclosure		
100k x 4	R3, R22, R24, R28		Input Jack - stereo type		
392k x 1	R20 (MF)		Output Jack - mono type		
422k x 1	R12 (MF)		Power Socket		
1M x 1	R2		Battery Clip		
		Ceriatone Centura™			

Wiring Diagram (Standard)



Wiring Diagram (Early)

