

# Body Emblem Package Installation (Rear Bumper Fascia Instruction ID: 84023565)

## Installation Instructions Part Number

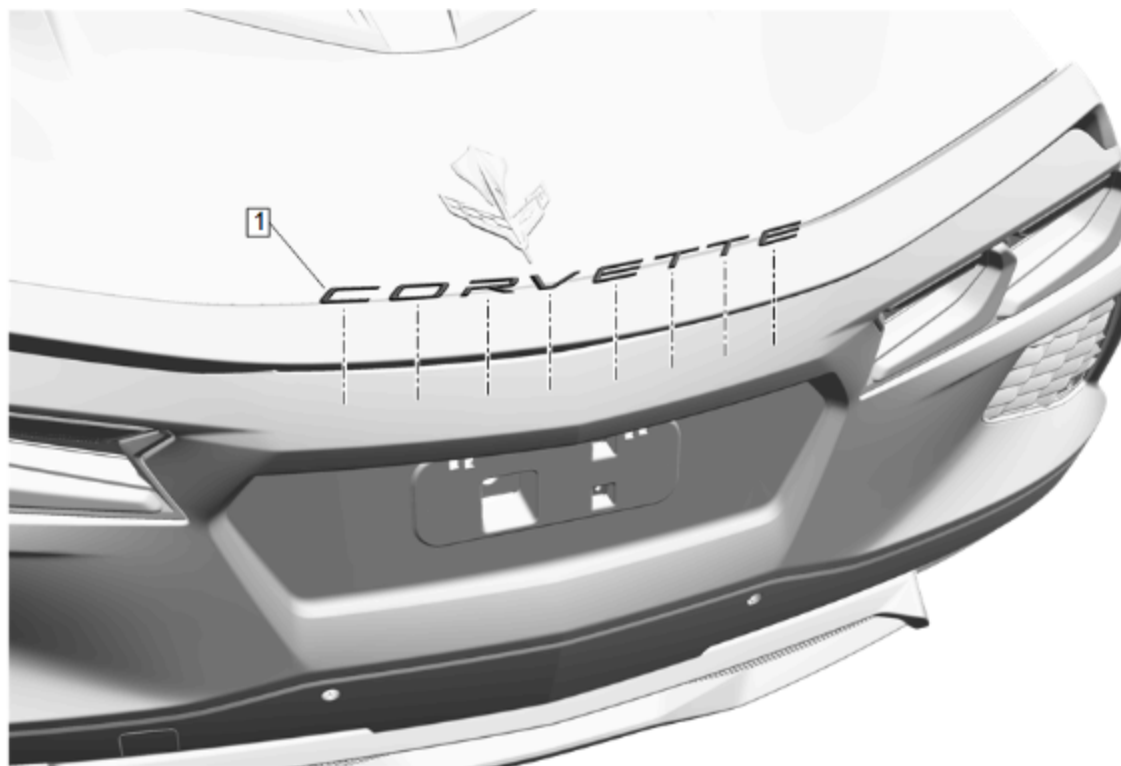
84023565

### Kit Contents

Qty	Description
1	Emblem - "CORVETTE"
1	Template
1	Installation Instructions

## Procedure

### Remove Existing Emblem



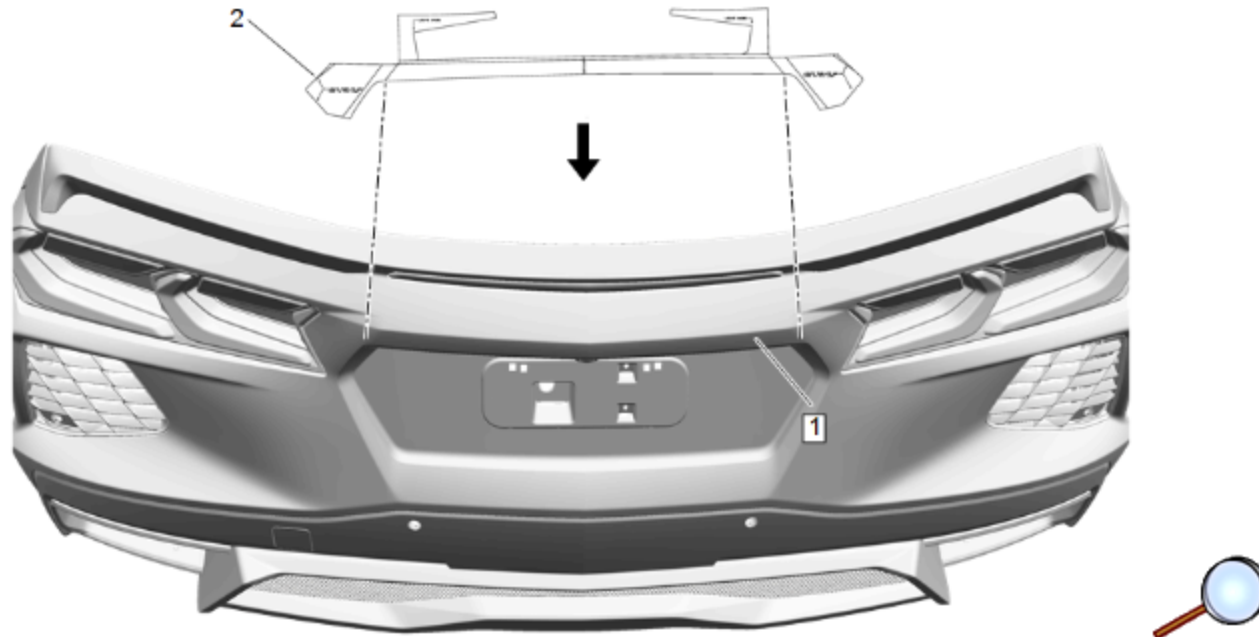
**Caution:** Refer to [Emblem/Nameplate Removal Heat Caution](#).

**Note:** Use caution during the steps to avoid marring or scratching the class "A" paint finish.

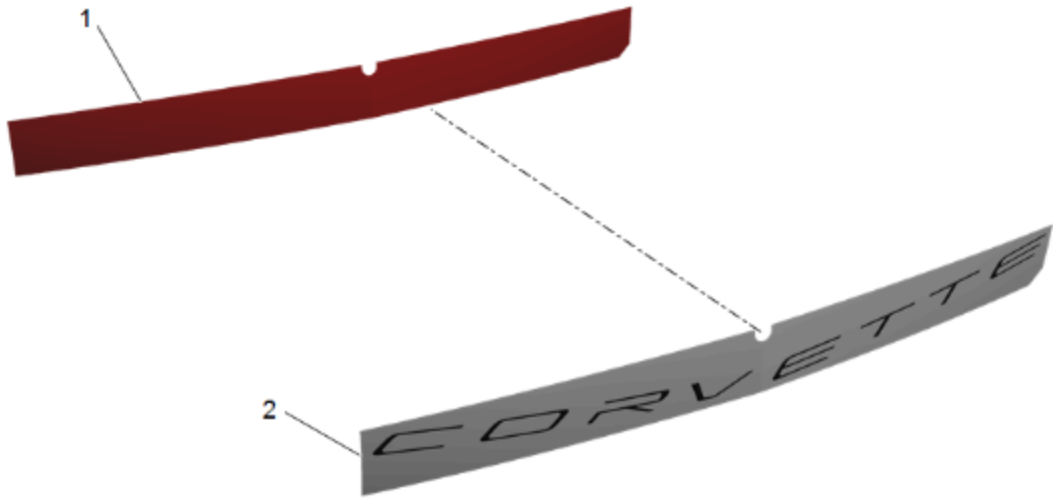
1. Warm the emblem/nameplate (1) using a hair dryer or heat gun not to exceed 79°C (175°F). Care should be given to protect the interfacing surface.
2. Pry the emblem/nameplate (1) off the vehicle body using a plastic squeegee.
3. Light adhesive residue remaining on the paint surface can be removed using 3M's General Purpose Adhesive Cleaner, or isopropyl alcohol, and a soft clean cloth.
4. Heavy foam/adhesive residue remaining on the paint surface can be removed using 3M's Scotch-Brite™ Molding Adhesive and Stripe Removal Disc (4 inch) or (6 inch). This disc will not damage the class "A" paint finish.

### Install New Emblem

1. The paint surface must be clean and dry before installation of a new emblem/nameplate.
2. Temperature ranges required for installation of a new emblem/nameplate (1) are 16°C (60°F) - 43°C (110°F) for the body, and the emblem/nameplate.
3. General surface contaminants, such as dirt, dust, fingerprints, moisture, oil, etc., can be removed with a dry cleaning cloth from 3M (Scotch Brite High Performance Cloth), or Contec (Thunderbolt Cloth).

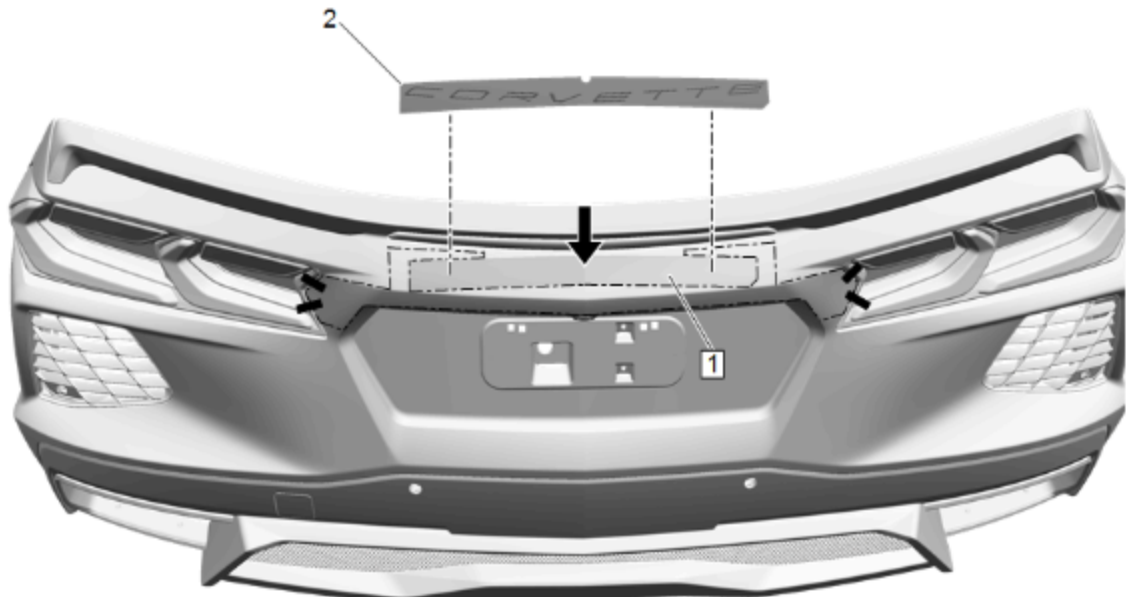


4. Position and tape supplied template (2) to the rear bumper fascia (1) as instructed on template.

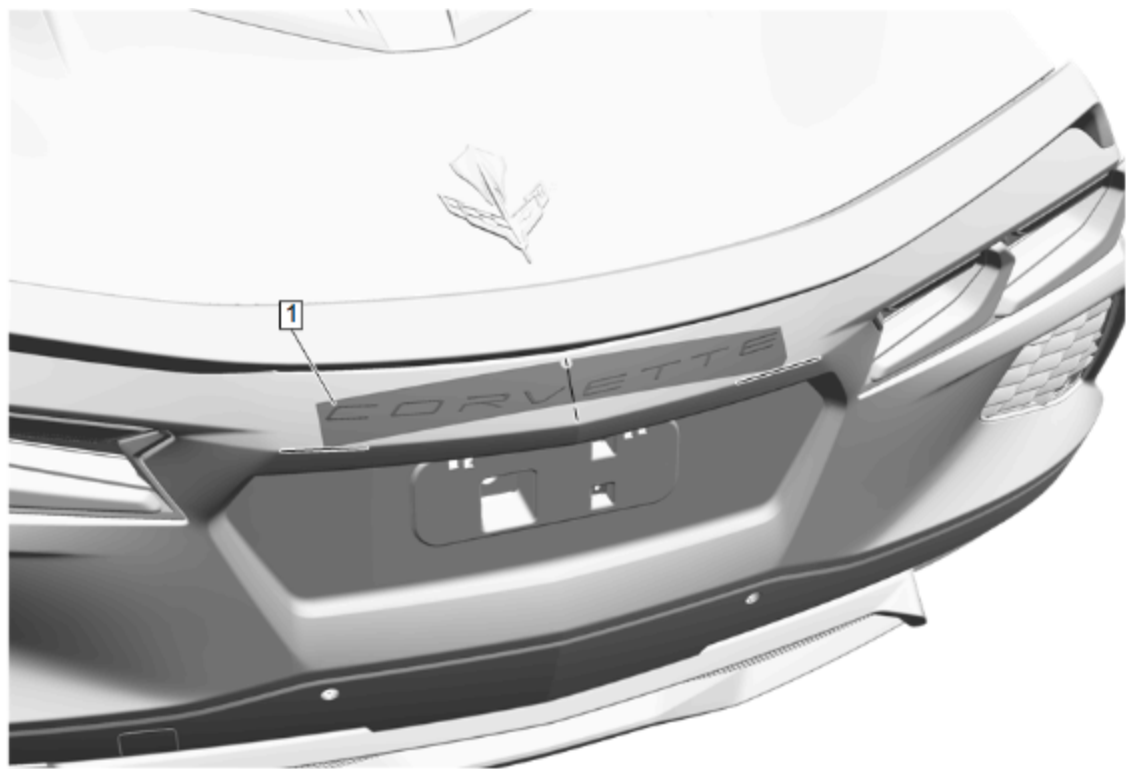


**Note:** When removing protective liners from the adhesive tape, be careful not to touch tape with hands and do not allow tape to come in contact with dirt or foreign matter prior to adhesion.

5. Remove the protective tape liner (1) from the foam carrier on back of emblem (2), make sure foam carrier and emblem stays attached to face liner.

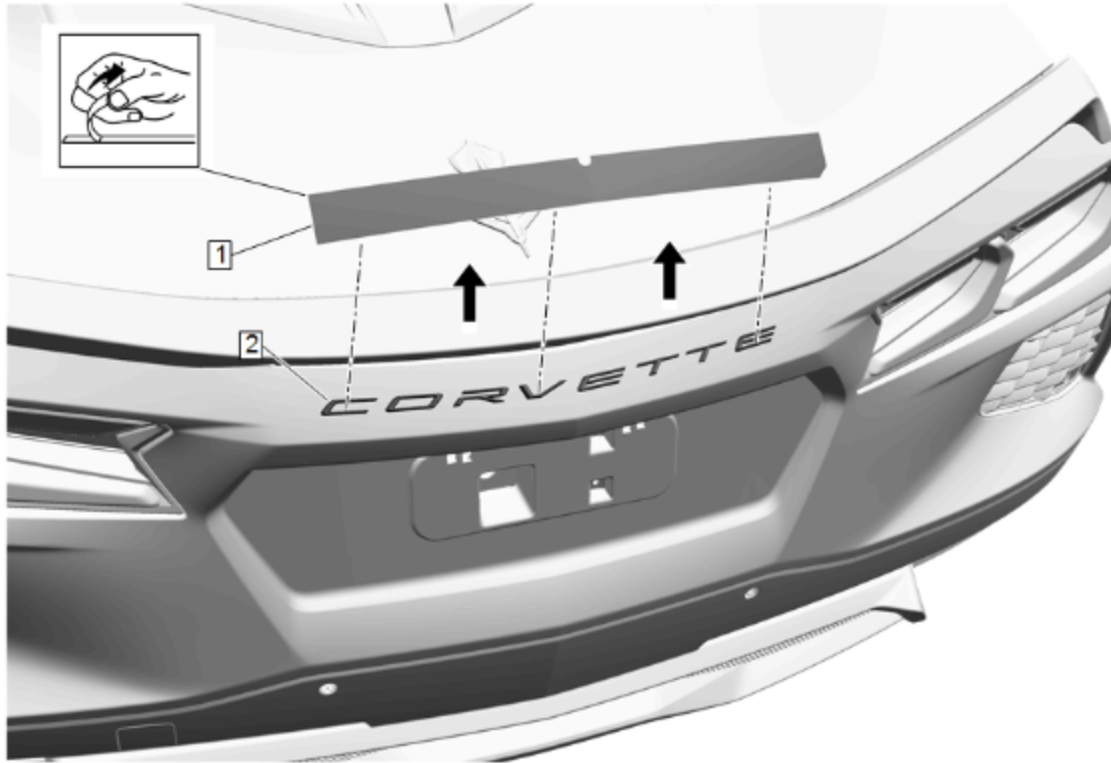


6. Position the emblem (2) with face liner and foam carrier to the rear bumper fascia (1) as instructed on template.



7. Once emblem (1) is in position, use the palm of hand or applicable roller with approximately 10 lbs of pressure, wet out the emblem to the rear bumper fascia to ensure full adhesion of emblem is made.

8. Remove the template from rear bumper fascia.



9. Carefully remove the face liner and foam carrier (1) from the emblem (2).