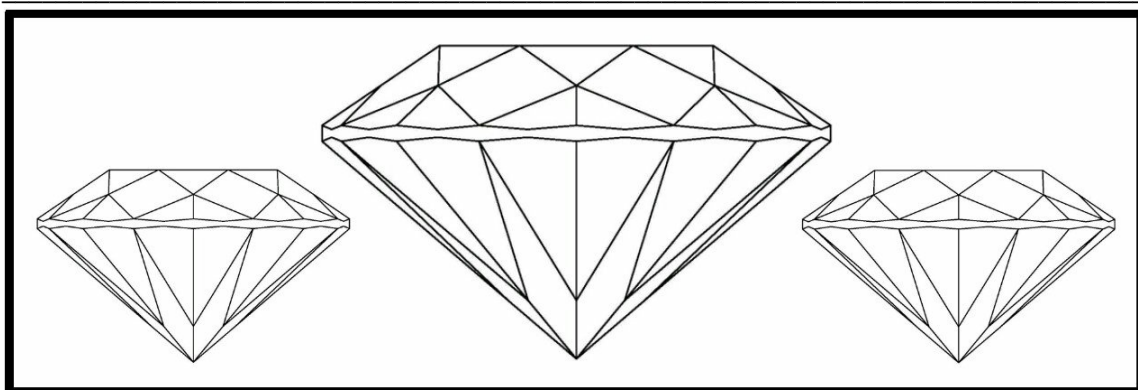

The Federal Government of
The Imperium of Diamond's



Global Space Security System cooperation

Monday, September 18, 2017

Page N.º: 02, Treaty of Aliance fot Global Security Monitoring.

Page N.º: 11, First Design of technology.



King Gottwald Peter, ID's act for membership

A large, stylized handwritten signature in black ink, appearing to read 'Gottwald Peter'.



<http://www.TheImperiumofDiamondsGovernment.populiser.com>

Treaty of Alliance for Global Security Monitoring

1. Together with this treaty of the Alliance Declaration, States establish a common security co-operation agreement to ensure the prevention of crime dominance at its own national and at the same time openly at International level and International jurisdiction of power of all Alliance state, to prevent warfare, criminal conflicts and organized crime activities, thereby neutralizing the goals of active as;
 - a. Central Persons and organized regime of crime,
 - b. Groups of organized terrorism,
 - c. Groups of Internationally organized crime,
 - d. Persons and groups are actively criminalizing the rights of International security and peace,
 - e. Seeking people on the run,
 - f. Active war criminals,
 - g. Aircraft, rockets interfering with air borders,
 - h. Space ships, space rockets and projectiles crossing borders,
 - i. Submarines and Ships disrupting the water borders of States,
 - j. Terrestrial and ground-breaking vehicles,
 - k. Other active risks responsive to the disruption of security and stability of states and International systems.
2. The States participating in this Agreement therefore jointly set up the Global Security Monitoring Alliance Council to cooperate in order to implement contractual measures to neutralize the objectives set out in Article 1 and the principles of the Code of this Declaration status, essentially in the field of technical security under Article 3, use in coordination with Article 4.
3. The function of the Global Security Monitoring Alliance Council determines the performance of International co-operation in development, modernization and use in joint co-ordination of common space probe technologies and satellite systems of a military and spy character, to support the rights of states and to prevent security threats.
4. Alliance countries are extending joint security cooperation in the field of Space Security Technologies, which are further used in the co-ordination of operations and information management on the logistics of Alliance Civil Infrastructure Networks of Civilization and their public CCTV systems, localization systems and other security, identification, navigation, telecommunication, data and spy infrastructure components systems.
5. Thus, the Alliance countries are jointly establishing an Alliance Office which is composed of the main logistics of a common organized intelligence, consisting of;
 - a. Head of State in the International Council of States,
 - b. The Administration Office,
 - c. Operations Authority.
6. The Council of States is made up of all the member states of the Alliance, at

- the Councils of the States is composed by the Head of the State and the Prime Minister of the Government.
7. The Council of States also establishes the Headquarters of the Alliance in the territory of the Imperium of Diamond's Federation, and with the right of the Member States to establish a provisional seat in the territory of the established democracies of the States in the Alliance.
 8. Each state in the Alliance has an obligation to select designated persons from the infrastructure of its own state and government, in order to ensure coordination synchronization with Alliance offices and operational centers, enable sharing of identification and operational superior coordination information.
 9. Each state has the right to represent its own country in the alliance, and to communicate equally about the interest of security and the function of global cooperation strategies and the organization of common goals.
 10. The Council of States is further composed of:
 - a. Head of State, Prime Minister
 - b. Minister for Foreign Affairs
 - c. Minister for Internal Affairs
 - d. Representative of the Interior Minister
 - e. Minister for Army and Security
 - f. Council Legal Advocacy
 11. The Head of State and the Prime Minister meet as members of the Alliance for Democracy, representing members of the Alliance, as well as allowing the establishment of joint programs of coordinated security between the Alliance states, as well as participating in the establishment of acts of joint declarations linked to the Alliance code.
 12. The Head of State or the Prime Minister of the Government can jointly have a team or own staff composed of the Council of Ministers of Foreign, Interiors and Army and Security.
 13. Ministerial representatives represent in the Council of States, positions as part of their official performance in the Administration Office and the Operations Office.
 14. Ministerial Representatives represent and verify and register office communications between States at their central Alliance Administration and issue permits for the function of official information coordination or for the purpose of allowing Alliance operations and coordinating missions within its territory.
 15. The liability of Articles 13 and 14 may be transferred to the Deputy Minister of the Interior.
 16. The Council of States does not act in the interest of a common group democracy, and does not act according to the interests of the Member States. The Alliance is effective only in accordance with the International Humanitarian Law, the state Peace and Security law under UN Charter and UNGA Declaration, and the responsibilities related to this procedural application responsibly in Article 1, in order to prevent all state and Internationally identified acts of crime, terrorism and other forms of violation of International law without listening to the call to stop the crime.
 17. Article 16 defines the right to designate common objectives and to indicate the interest of the Alliance for the purpose of neutralizing them.
 18. The Council of States shall meet only if necessary, or if members of the

Council of States agree jointly on the commencement of a joint meeting in the territory referred to in Article 7.

19. The Council of States also establishes joint meetings, whenever international crime is reported to be responsible for the crime in comparison to Article 1, which also entails the risk of a serious threat.
20. If it is in the interest of Articles 1, only a crime of level and nature that is not responsible for the urgent meeting and the permanent risk meeting, the official function of the Alliance mission will be applied only for the logistics of the Administration and Operations Offices.
21. The Legal Advocacy Council meets as an independent office to monitor the process and mission planning and management of common logistics between the authorities and the Alliance.
22. A member of the Council of the Legal Advocacy may also be a representative of the International Organization, and an invited representative of the State and organization responsible for the territory of the Alliance Mission's activities, and thereby a representative acting as a Supervisor of Legitimate Performance and Peaceful Usage.
23. The Administration Office is designated for the performance of the Central Logistics of the Alliance by the Public Prosecutor's Office of the Alliance member states, thereby enabling common security procedures to be implemented.
24. The Operation of the Administration and Operations is composed of a practical Alliance Management of Services and Offices consolidation between Alliance member states and their authorities as well as security executors according to Article 8, thus allowing jointly to achieve the function of the financial costs for security operations under the responsibility of each State individually and individually; according to the activity of the executor of the Office and its legal jurisdiction to the Alliance's state of origin, and in the budget of the responsible payment of service payments according to a taxes of financial destination on behalf of the finance and economic ministries and of the state departments, independent of the alliance.
25. Administration Office and its composition;
 - a. A representative of the police services of the Member States,
 - b. A representative of the Member States'
 - c. A representative of the Member States'
 - d. Commission to verify identity of goal requirement
 - e. Commission for Position and Identity Targeting
 - f. Archives and communications
 - g. Inspection of technical networks and maintenance
 - h. Modernization and development of the system
26. The composition of the Central Logistics Unit of the Police, Military and Spy Service Representatives of all Member States makes it possible to establish a certified communication between the Security Offices' databases and the Alliance's member states and thus to allow centralized centralization of data on wanted, enforced and other persons in the Register of Criminals and Terrorists against the Alliance and legal interests of Alliance, creating the Central Alliance Database of Targets for their Global Localization and Disposal.
27. Each Alliance member therefore uses common networks and public

- prosecutors' offices between the state authorities and other Alliance offices for the possibility of constantly transmitting information about wanted persons and persons designated by the government as a terrorist entity to be neutralized and will always be registered in the Alliance Database immediately according Article 28 of this Statute.
28. The Commission for Identity Requirement Verification, furthermore, in cooperation with the Legal Advocacy Council, verifies in information and official co-operation with State Departments information on the reason for the designation of an entity selected under Article 21 as a neutralization target registered in the Alliance Target Database, specifying the data verification obligation from the police examination and proof of the accountability of the crimes, with the main document based on the confirmation of the judgment of the State Courts or the Declaration of the Main Constitutional Bodies of the Government, meaning the achievement of an act permitting the entry of a target into the Alliance Database.
 29. The Position Verification and Identity Targeting Commission is further established for the purpose of generating, collecting, and disseminating data on the identification points of neutralizing subject entities for the ability to professionally identify them and thus also to be able to recognize the persons and members of the group detected by the location of the position sought subsequent verification of their identity and consistency with the objectives of the Alliance Database as an act of the process enabling the launching of the Neutralizing Work of Space Systems.
 30. The Commission for Position Verification and Identity Targets aims to coordinate the Prosecutor's Office with the Security Authorities of the Alliance States in the process of conducting a mission on their territory to enable identification of persons and to provide a liaison for the Operations Team, Redirecting Infrastructure Information Infrastructure to the Ambient Position of a Discovered Entity Objective Neutralization Objectives as a means of proceeding in relation to Article 4.
 31. The Office as Archives and Communications is the central office of all Alliance departments and bodies, acting as the communication center of the operational process, allowing the co-ordination of departments and authorities and state members at International level as a function of a unified organized logistic format group.
 32. The Office of the Archives and Communications also creates a function as a Notary, recording all internal communication steps and information sharing of all data of coordination between the units and entities of the Alliance, as well as storing documentation and operational statistics and data from the offices and departments, functioning as a permanent archive of the Alliance documentation.
 33. Technical Networks Maintenance and Maintenance is a technical format department that owns an independent position of its center and operating performance positions differently from the Alliance center, according infrastructure need in global site and Alliance countries, ensuring the performance of supervision over technology management and control over operational manipulation of technologies according to their manual and intended function of the technical format as well as the purpose for ensuring the ability to control their function and verify production data, together with their repair and renovation.

34. The Council for the Modernization and Development of the System is based on the purpose of operating the technological development planning according to the estimation of the competitiveness of the safety objectives and the possibilities of the modern technology for the development application and also for the purpose of starting the development of the operational technology and organizing their industrial and economic function of the production process.
35. The Council for the Modernization and Development of the System consists of representatives of the technical, engineering and business organizational units of all the Alliance states, enabling it to use the best possible possibilities to develop a common security technique.
36. The Operations Office is tasked with detecting all people's Database of Alliance Targets, detecting all persons in their contact and coordinating the organized network, and ensuring the destruction of all individuals of the capital management and the functions of the centralized management of the criminal organizations.
37. The Operations Office is obliged to ensure the act of neutralization of all selected objectives of the unified group at a time without time difference for the purpose of preventing the criminal subject from escaping the act and attempting to prevent its detection and neutralization.
38. Operations Authority;
 - a. Operation Navigator
 - b. Localization and analysis team
 - c. Team neutralization act
 - d. Independent Inspection Authority and Verification
 - e. Archives
39. Operator Navigator is the State Security Service representative, superior active as a mission navigator and commander of the Alliance management function for information co-operation in the interest of his Navigator Operations mission.
40. Operator Navigator coordinates the Office of Operations, as a seat of the Administration Office, as well as in logistic cooperation with departments of the Administration Office.
41. Operator Navigator of operation is the capital character person that determines the initiation of an Endpoint Neutralization action if the Activation Confirmation from the Commission's Position Verification and Identity Targets Commissions is reached, the Commission for Identity Requirement Verification, and the Advocacy Council, and in accordance with Article 36. , and 37. If only one entity does not see permission to approve the neutralization act, then it will not be possible to command the Goal neutralization command.
42. The Legal Advocacy Council, together with the Archives and Communications Department, supervises the performance of the Operational Navigator of the mission and controls the legal formalities and legitimacy of the process of the operational function.
43. The Localization and Analysis team is a research unit for data intelligence provided by the Cosmic Localization Probe Network that detects objects and recognizes people in the database for localization detection and allows for responsible identity verification for detection technology detection.
44. The Localization and Analysis Team is coordinated with the Commission's

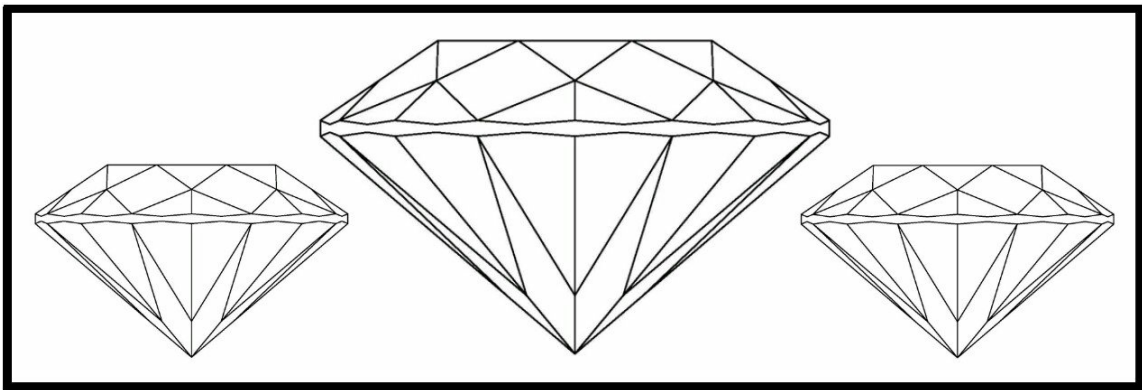
- Position and Identity Targeting Services Commission to enable the legal process to be implemented in accordance with the certification principles and legal function, meaning the ability to achieve Responsible Navigation Team Neutralization in the Destruction Neutralization Destination Process.
45. The neutralizing act team is the body that manages the planet's technological space networks, and thus for the purpose of targeting the targets of detected localization systems to enable neutralization to begin.
 46. The neutralizing act team shall not start and initiate the neutralization act until it has been decided to initiate an act through the Operator Navigator in accordance with Article 41.
 47. For the basic functions of the technical Alliance Network, as a technical tool of the Neutralization Act Team, it will be used by neutralization targeting technology, so it will be used with an International name, technologies as per Articles 48 and 49.
 - 48. The space infrastructure of orbital probes for the purpose of mapping and detecting people on a global scale;**
 - a. Based on the technique of a camera device with the planet's Orbit Line position, as a stationary satellite designed for active motion and super pixeling motion and multiple supercomputer detection of searched persons, numbers, characters and objects within the specified size of the observed section, such as city, region, province;
 - b. Allowing the performance of own computer and the pixelization performance of cameras, as well as scrutinizing all people active in the zone and their character and face, traffic signs and weapons, and criminal activities at one point;
 - c. It also enables the ability to communicate at the global telecommunication level in order to be able to co-ordinate states and thereby create the infrastructure of a single International security authority, and to synchronize with a coordinated network of other land, air and space technologies.
 - 49. Cosmic infrastructure of orbital cannons for the purpose of laser destruction of persons to be neutralized;**
 - a. Based on the technique of a laser device with the position of the planet's orbital line, establishing the ability of its movement system and positioning in accordance with coded telecommunication systems and the navigation system of localizing satellites;
 - b. Allowing to use a data system for the ability to detail the position of the selected target, as well as the ability to confirm it with its own primary optics systems;
 - c. Providing an obligation to the Central Center of the Alliance of States, to carry out identification and identification of the targeted entity, to verify the identity of the target-oriented navigation data and to confirm the responsible localization of the subject;
 - d. A system operating as a stationary satellite designed to actively move and neutralize selected targets using laser or projectile technology to enable target neutralization of the selected subject.
 50. The Alliance function system can be further utilized and developed for the purpose;
 - a. Monitoring of unidentifiable objects,
 - b. Monitoring and searching for lost aircraft,

- c. Navigation of rescue vehicles and units,
 - d. Tracking the movement of units in a war conflict, and surveillance,
 - e. Control observation of war and conflict process,
 - f. Monitoring natural disasters and their prevention and spread,
 - g. Ensuring the ability to navigate in crisis situations,
 - h. Monitoring the activities of space,
 - i. Other activities suitable for implementing co-organization security steps.
51. The establishment of the technology is led by the Alliance Council in co-operation in the interest of Article 56, establishing the Council of States, using cooperation with the Modernization and Development Departments, according to Articles 34 and 35, which determine the choice of organized industrial and commercial cooperation to modernize identified technologies to choose from among the best technically and economically available technologies and services from the Alliance countries.
52. In accordance with Articles 34 and 35, the renovation be States shall also be organized with a reasonably appropriate technique for the purpose of renovation.
53. Any state that establishes the production, repair or renovation of utility technologies is also required to allow the use of proprietary patent rights for the purpose of the best function of the system, regardless of the patent and commercial strategy in an International perspective.
54. A state that provides secret technology patent claims has the right to request public media silence from the public.
55. Each State that will be selected from the Alliance of States for the purpose of coordinating industrial production will allow other members of the Alliance and Surveillance Authorities established under the agreement of this document for the purpose of controlling the production function and source of materials to enable assurance of joint internal coordination and manipulation of the technique without the risk of misappropriation of internal espionage and alienation by the party in Alliance.
56. Each member of the Alliance has the obligation to pay its financial contributions for such membership only in the interest of its unitary share in the Alliance's function equal to the difference, meaning its Financial Payment for Membership only for the purpose of operation and the primary function and development of the Alliance and thus in accordance with Articles 24, laying down the obligation to pay for the function of the authorities composed of persons of their own diplomatic and official position by performing on behalf of and representing the office of their State.
57. Every State wishing to join the Alliance has a duty to make its Declaration of Membership, thereby further informing other members of the Alliance, with its own request to set a date for the meeting to initiate the coordination of the authorities and to establish immediate operational and administrative cooperation capabilities.
58. A member of the Alliance may be any State which is founded on its own sovereignty and lawfulness by political principles of determination and ratification of the entity of government and the state as a legitimate status entity or a founding authority with the right of government.
59. The original language of the declaration is English. Each Alliance member

- has the right to carry out, on its own responsibility, only a translation of the Code of this Statute into the language of its country, and to keep and publicly share it with its own translation certification.
60. The Minister for Foreign Affairs of each Member State is responsible for managing the Declaration Archive, as well as the Archives for establishing communication between the other members of the Alliance, together with the States applying for membership.
 61. The Council of States repeatedly chooses each year to appoint one of the Foreign Ministers to represent the Alliance at International level as the Alliance Secretariat based on a liaison with the Information Coordination with the Office of the Archives and Communications.
 62. The Archives and Communications Authority holds all copies and certifications of the Membership of the States in the Alliance.

Please sign the Declaration:

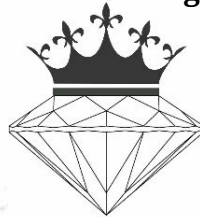
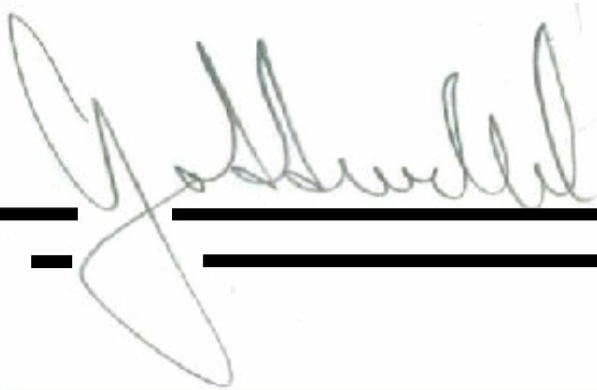
The Federal Government of
The Imperium of Diamond's



Global Security System cooperation



King Gottwald Peter, ID's



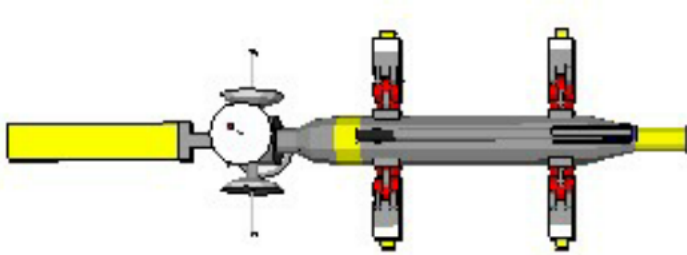
Monday, September 18, 2017

<http://www.TheImperiumofDiamondsGovernment.populiser.com>

Primary Technology Design

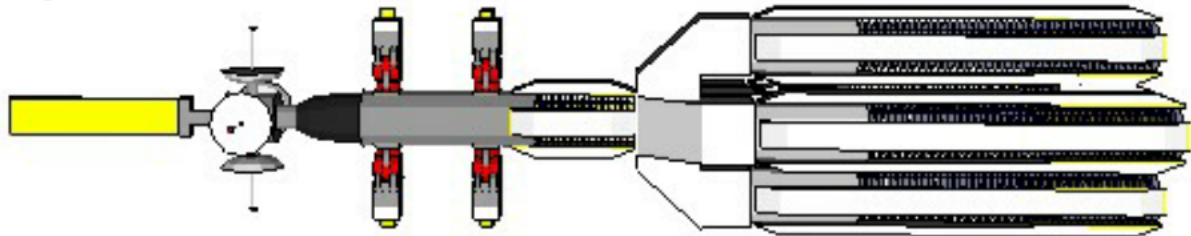
Cosmic Probes

Laser neutralization system

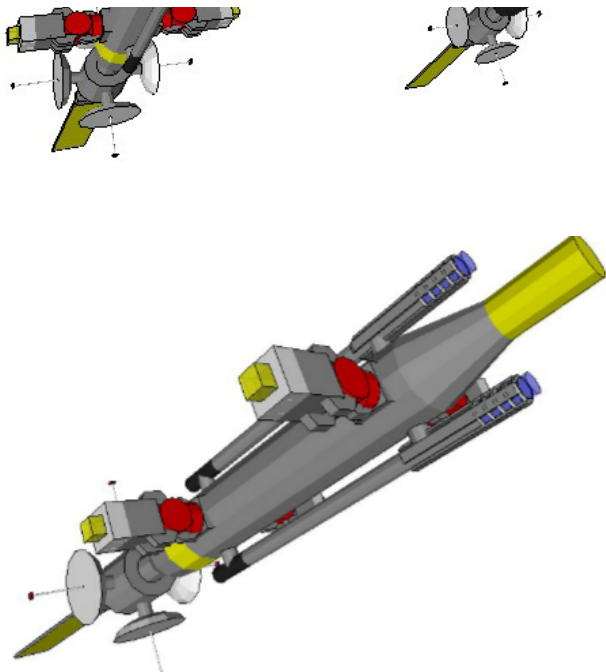


Technologies with own system of global telecommunication connection and programmed computer coordination for detection of wanted or criminal person's, and in reaction send for Administrative office, all information's on their position, people in connection and adress of houses.

Optic localization system

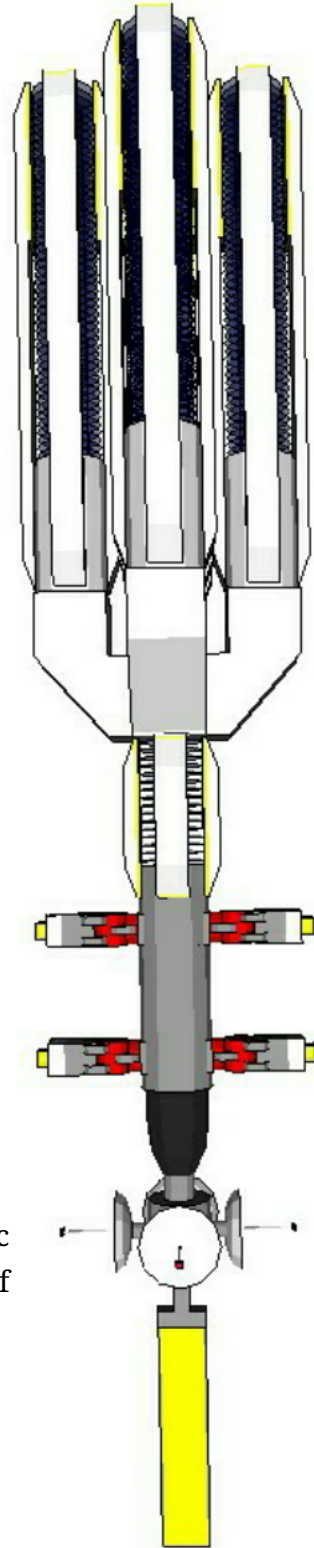
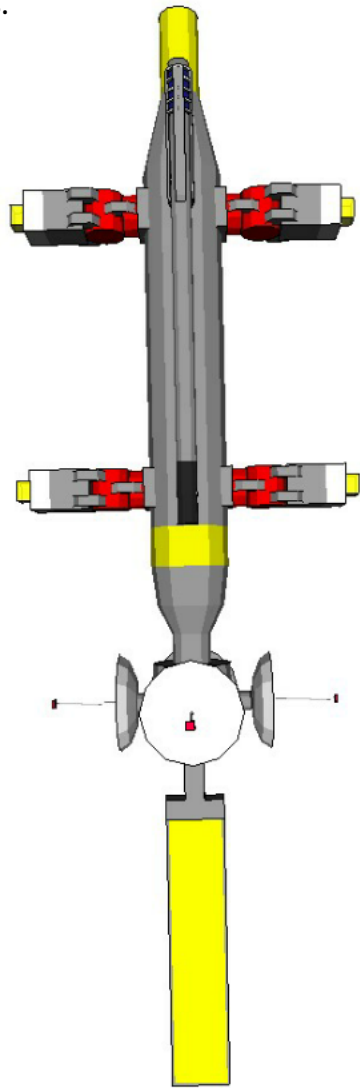


Special optical system for opportunity on pixelization and immeditaly detection of every face, located in central city area, with participation of 10,000,000 people, and observation distance for 500 kilometer's in Air, from ground position.

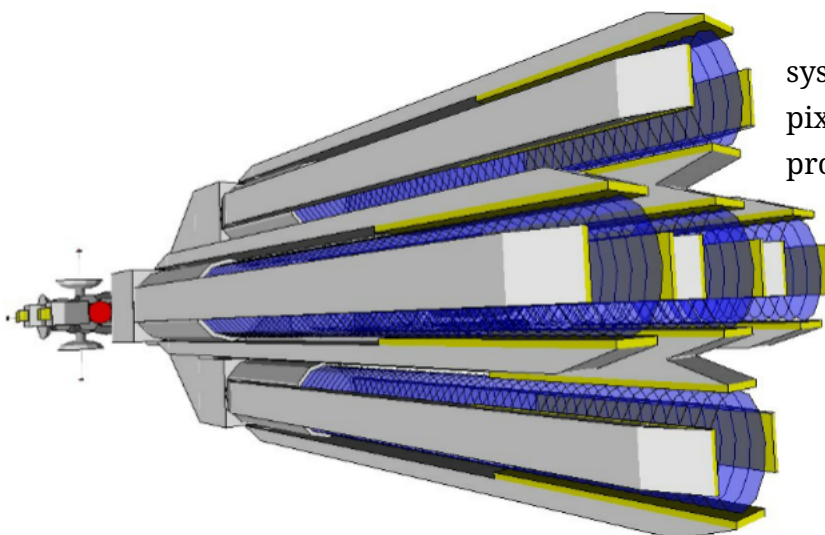


Laser system use telecommunication and navigation system, for targeted synchronization with goal of neutralization, coordinelly with verification on position be the comparation of 3D profil face code of wanted subject, when technology use own system of optical observation, for certificate procesing and start action of target elimination be the laser system's.

Laser system use own electro generator for charging power of laser activation and shoting. Subject for neutralization is targeted on distances of 500 kilometer's.



All systems of probes use own Solar voltaic tables for chraging batery and activate process of telecommunication or computer procesing.



Multi optical system for high pixelization and zoom proces.

Welcome in the time of Modern Century, where International Development and Security Cooperation is developed accordingly.

The Imperium of Diamond's

Only for Peaceful vision and development.



Signature of designer, King Gottwald Peter

Date: Monday, September 18, 2017
