

AGS

REGULATOR TLAKA PR3BF
REGULATOR TLAKA PR3BF
CONTROL UNIT PR3BF
BEDIENUNGSARMATUR PR3BF

F01.2-000

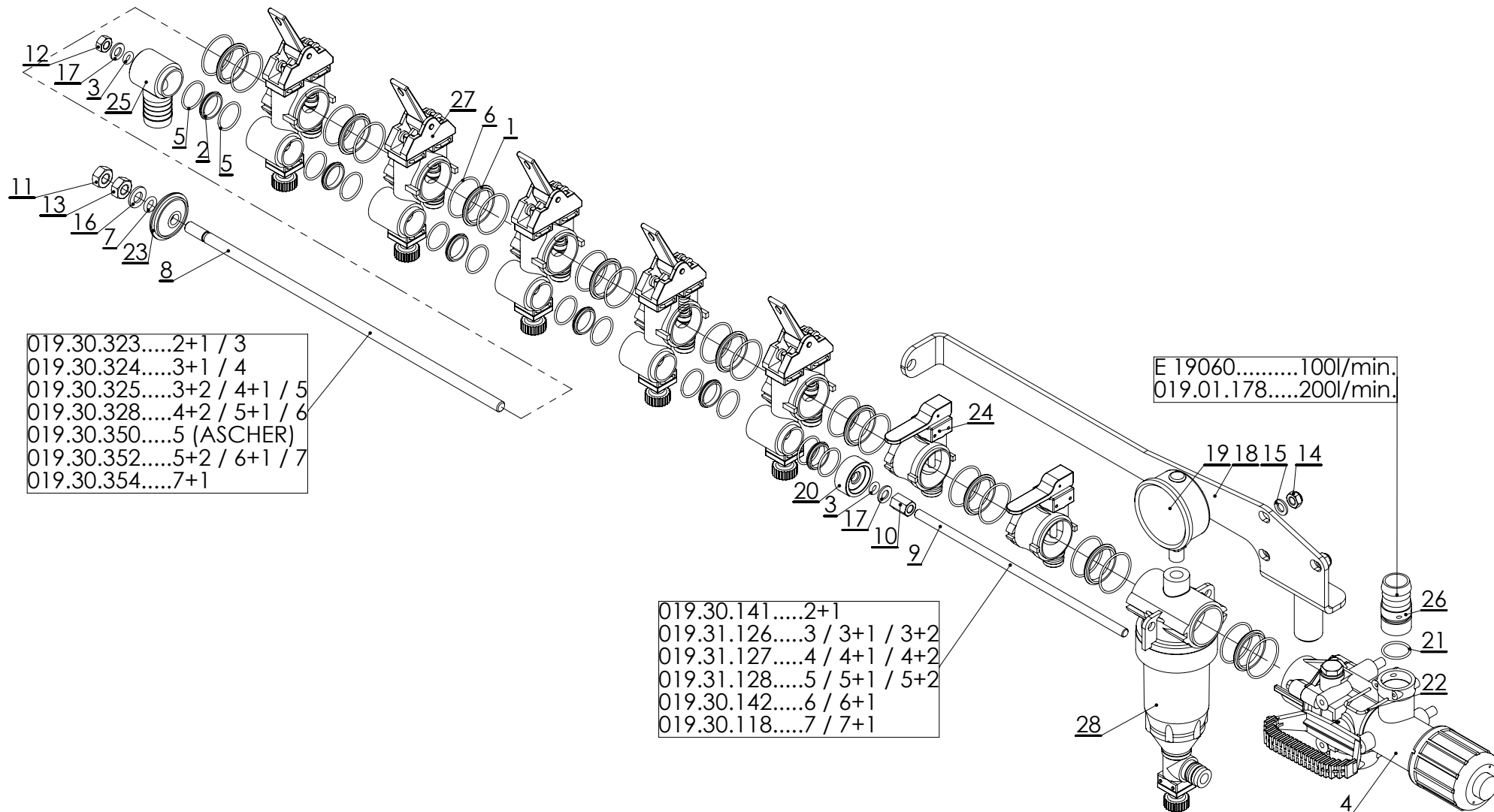
Rev.	Date
A-01	22.1.2015

Date → 2009

← Date

Serial No. → _

← Serial No.



AGS	REGULATOR TLAKA PR3BF REGULATOR TLAKA PR3BF CONTROL UNIT PR3BF BEDIENUNGSARMATUR PR3BF	F01.2-000		Rev.	Date
				A-01	22.1.2015
		Date → 2009		← Date	
Serial No. → _		← Serial No.			

Poz.	Kataloška št.	Naziv	Unit	QTY.
1	017.01.107	OBROČ TESNILNI fi39x4,5		9
2	017.01.108	OBROČ TESNILNI fi26,4x4,5		6
3	017.10.001	TESNILO "O" fi12xfi6x3		2
4	018.20.046	VENTIL REGULACIJSKI PR3 STD		1
5	019.10.056	TESNILO "O" fi27,6xfi24x1,8		12
6	019.10.057	TESNILO "O" fi39,3xfi35,7x1,8		18
7	019.10.058	TESNILO "O" fi15xfi9x3		1
8	019.30.352	VIJAK VEZNI M10x390		1
9	019.31.128	VIJAK M8x259		1
10	019.32.007	MATICA M 8x18 -Al		1
11	019.33.002	Matica M10 (8.8 Zn) DIN 934		1
12	019.33.012	Matica M8 (A2) DIN 934		1
13	019.33.013	Matica M10 (A2) DIN 934		1
14	019.33.019	Matica M8 (8.8 Zn) DIN 985		3
15	019.35.006	Podložka 8,4 (Zn) DIN 433		3
16	019.35.018	Podložka 10,5 (A2) DIN 125		1
17	019.35.020	Podložka 8,4 (A2) DIN 125		2
18	020.01.185	NOSILEC REGULATORJA PR3 (X) F/7		1
19	545009	MANOMETER GLIC.fi63/0- 6-25 Z		1
20	E 02741	POKROV fi34		1
21	E 13997	TESNILO "O" fi26xfi22x2		1
22	E 13998	ZATIK U Φ2,5x22		1
23	E 14013	POKROV fi 39		1
24	E 14578	VENTIL RAZVODNI		2
25	E 18806	NASTAVEK KOTNI fi24		1
26	E 19060	USTNIK 100l/min.		1
27	E 21920	VENTIL RAZVODNO-REGULACIJSKI		5
28	E 32209	FILTER SAMOČISTILNI-KOMPLET		1

AGS

REGULATOR TLAKA PR3ECF/5+2
 REGULATOR TLAKA PR3ECF/5+2
 CONTROL UNIT PR3ECF/5+2
 BEDIENUNGSARMATUR PR3ECF/5+2

F01.3-000

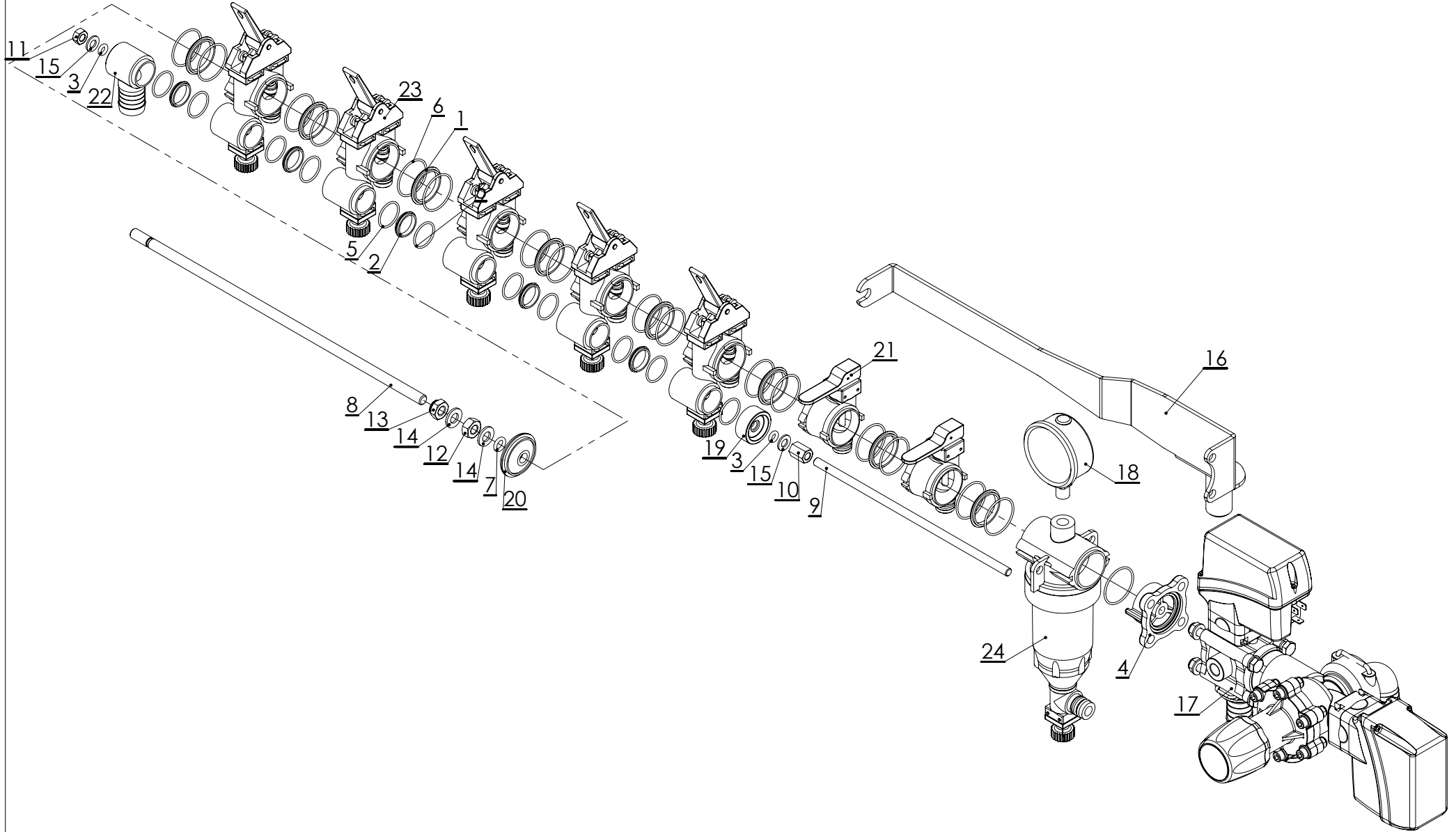
Rev.	Date
A-01	22.1.2015

Date → 2013

← Date

Serial No. → _

← Serial No.



AGS	REGULATOR TLAKA PR3ECF/5+2 REGULATOR TLAKA PR3ECF/5+2 CONTROL UNIT PR3ECF/5+2 BEDIENUNGSARMATUR PR3ECF/5+2	F01.3-000		Rev.	Date
				A-01	22.1.2015
		Date → 2013		← Date	
		Serial No. → _		← Serial No.	

Poz.	Kataloška št.	Naziv	Unit	QTY.
1	017.01.107	OBROČ TESNILNI fi39x4,5		8
2	017.01.108	OBROČ TESNILNI fi26,4x4,5		5
3	017.10.001	TESNILO "O" fi12xfi6x3		2
4	017.41.031	PRIROBNICA PR3 EC/ARAG		1
5	019.10.056	TESNILO "O" fi27,6xfi24x1,8		11
6	019.10.057	TESNILO "O" fi39,3xfi35,7x1,8		17
7	019.10.058	TESNILO "O" fi15xfi9x3		1
8	019.30.352	VIJAK VEZNI M10x390		1
9	019.31.128	VIJAK M8x259		1
10	019.32.007	MATICA M 8x18 -Al		1
11	019.33.012	Matica M8 (A2) DIN 934		1
12	019.33.013	Matica M10 (A2) DIN 934		1
13	019.33.032	Matica M10 (A2) DIN 985		1
14	019.35.018	Podložka 10,5 (A2) DIN 125		2
15	019.35.020	Podložka 8,4 (A2) DIN 125		4
16	020.01.100	NOSILEC REGULATORJA RC-5		1
17	871CAH02	VENTIL REGULACIJSKI-KPL./POČASNI		1
18	545009	MANOMETER GLIC.fi63/0- 6-25 Z		1
19	E 02741	POKROV fi34		1
20	E 14013	POKROV fi 39		1
21	E 14578	VENTIL RAZVODNI		2
22	E 18806	NASTAVEK KOTNI fi24		1
23	E 21920	VENTIL RAZVODNO-REGULACIJSKI		5
24	E 32209	FILTER SAMOČISTILNI-KOMPLET		1

AGS

REGULATOR TLAKA PR3ECFM/5EC+2 & 7EC+2
REGULATOR TLAKA PR3ECFM/5EC+2 & 7EC+2
CONTROL UNIT PR3ECFM/5EC+2 & 7EC+2
BEDIENUNGSARMATUR PR3ECFM/5EC+2 & 7EC+2

F02.3-000

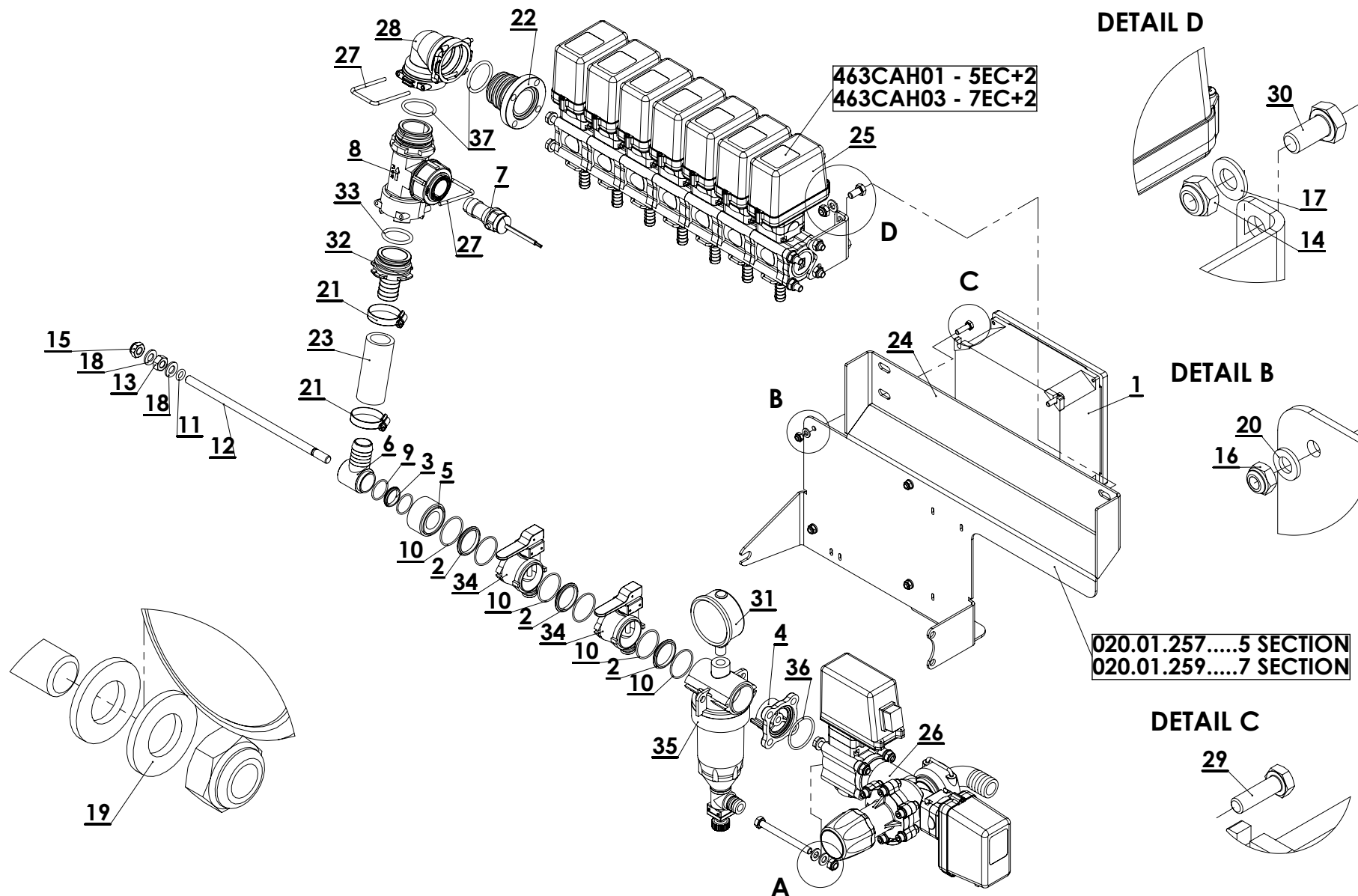
Rev.	Date
A-01	16.10.2014
A-02	21.10.2014

Date — 2014

— Date

Serial No. —

— Serial No.



AGS	REGULATOR TLAKA PR3ECFM/5EC+2 & 7EC+2 REGULATOR TLAKA PR3ECFM/5EC+2 & 7EC+2 CONTROL UNIT PR3ECFM/5EC+2 & 7EC+2 BEDIENUNGSARMATUR PR3ECFM/5EC+2 & 7EC+2	F02.3-000	Rev.	Date
			A-01	16.10.2014
			A-02	21.10.2014
		Date	← 2014	→ Date
		Serial No.	← _	→ Serial No.

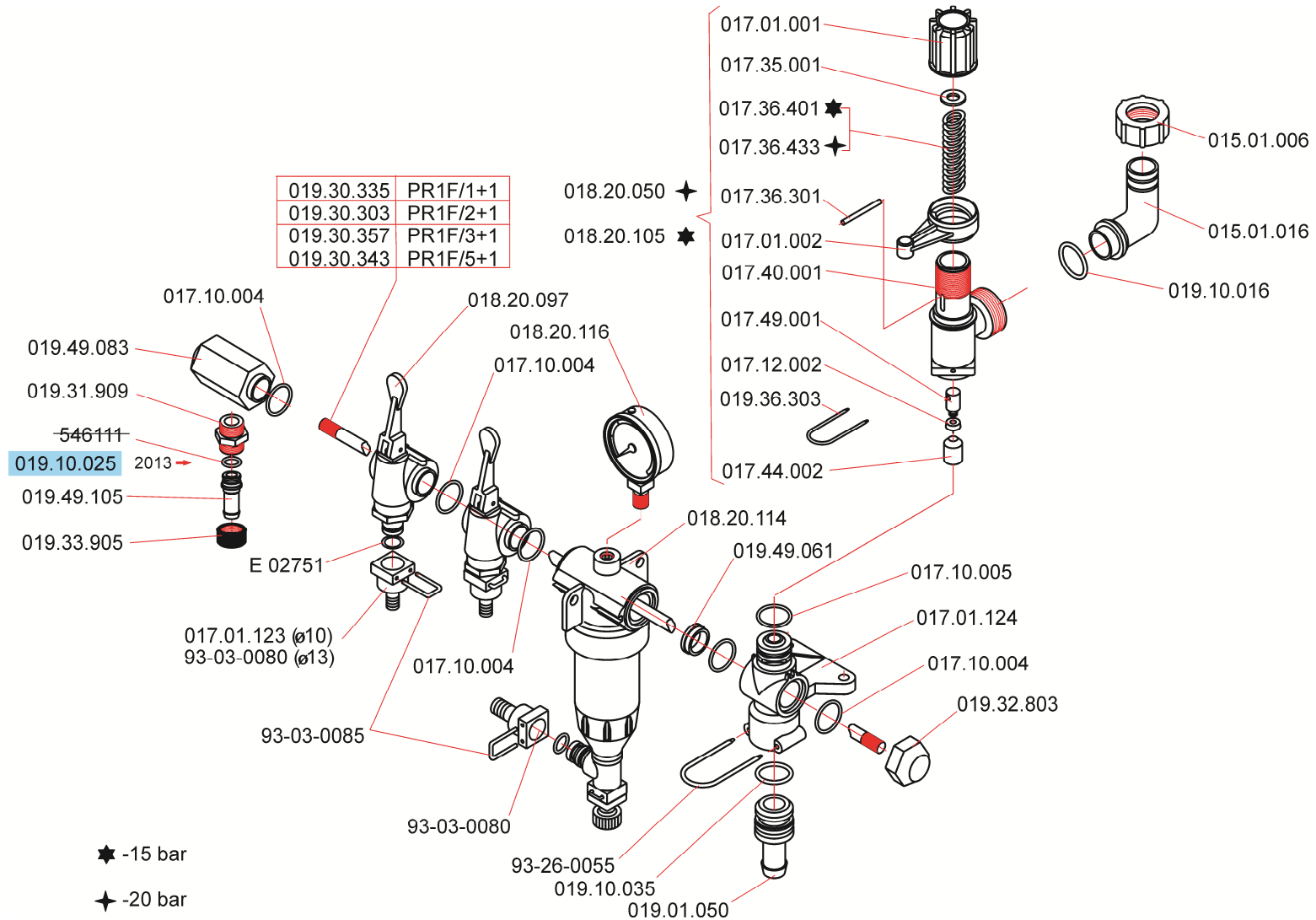
Poz.	Kataloška št.	Naziv	Unit	QTY.
1	016.60.106	KPL.EL.ELEM.DALJ.REG.ZA AG-TRONIK		1
2	017.01.107	OBROČ TESNILNI fi39x4,5		3
3	017.01.108	OBROČ TESNILNI fi26,4x4,5		1
4	017.41.031	PRIROBNICA PR3 EC/ARAG		1
5	017.49.054	ADAPTER fi39/fi27,5 - PR3 EC		1
6	017.49.055	NASTAVEK KOTNI fi24/fi10		1
7	018.20.181	SENZOR PRETOKA S KABLOM		1
8	018.20.182	OHIŠJE MERILCA PRETOKA		1
9	019.10.056	TESNILO "O" fi27,6xfi24x1,8		2
10	019.10.057	TESNILO "O" fi39,3xfi35,7x1,8		6
11	019.10.058	TESNILO "O" fi15xfi9x3		1
12	019.30.342	VIJAK VEZNI M10x246		1
13	019.33.013	Matica M10 (A2) DIN 934		1
14	019.33.019	Matica M8 (8.8 Zn) DIN 985		4
15	019.33.032	Matica M10 (A2) DIN 985		1
16	019.33.033	Matica M6 (A2) DIN 985		4
17	019.35.013	Podložka 8,4 (Zn) DIN 125		4
18	019.35.018	Podložka 10,5 (A2) DIN 125		2
19	019.35.020	Podložka 8,4 (A2) DIN 125		2
20	019.35.024	Podložka 6,4 (A2) DIN 125		4
21	019.35.202	OBJEMKA fi25-fi40		2
22	019.49.130	PRIROBNICA T5		1
23	019.62.004	CEV GUMI fi25x5	m	1
24	020.01.259	NOSILEC PR3 ECFM/7+2-mod.2013		1
25	463CAH03	KPL.RAZV.REG.VENTILOV EM-7		1
26	471CAH01	VENTIL REGULACIJSKI-KPL.		1
27	010005	ZATIK U T5		3
28	129055	KOLENO T5 (90°) FF		1
29	540109	Vijak M6x20 (A2) DIN 933		4
30	540207	Vijak M8x16 (8.8 Zn) DIN 933		4
31	545009	MANOMETER GLIC.fi63/0- 6-25 Z		1
32	1091525	NASTAVEK T5		1
33	E 02586	TESNILO "O" fi39xfi31x4 -VITON (zelena b.)		1
34	E 14578	VENTIL RAZVODNI		2
35	E 32209	FILTER SAMOCISTILNI-KOMPLET		1
36	G10071V	TESNILO "O" ZA PRIROBNICO (G10071V)		1
37	G11063V	TESNILO "O" ZA NASTAVEK T5		2

REGULATOR TLAKA PR1F/X+1
CONTROL UNIT PR1F/X+1
BEDIENUNGSARMATUR PR1F/X+1

F03.3-000

Rev.	Date
	7.11.2013

Date	→ 2013	←	Date
Serial No.	→	←	Serial No.



FILTER TLAČNI 50 bar-SAMOČISTILNI
FILTER TLAČNI 50 bar-SAMOČISTEČI
SELF-CLEANING FILTER 50 bar
SELBSTREINIGUNG DRUCKFILTER 50 bar

F04.1-003

Rev.

Date

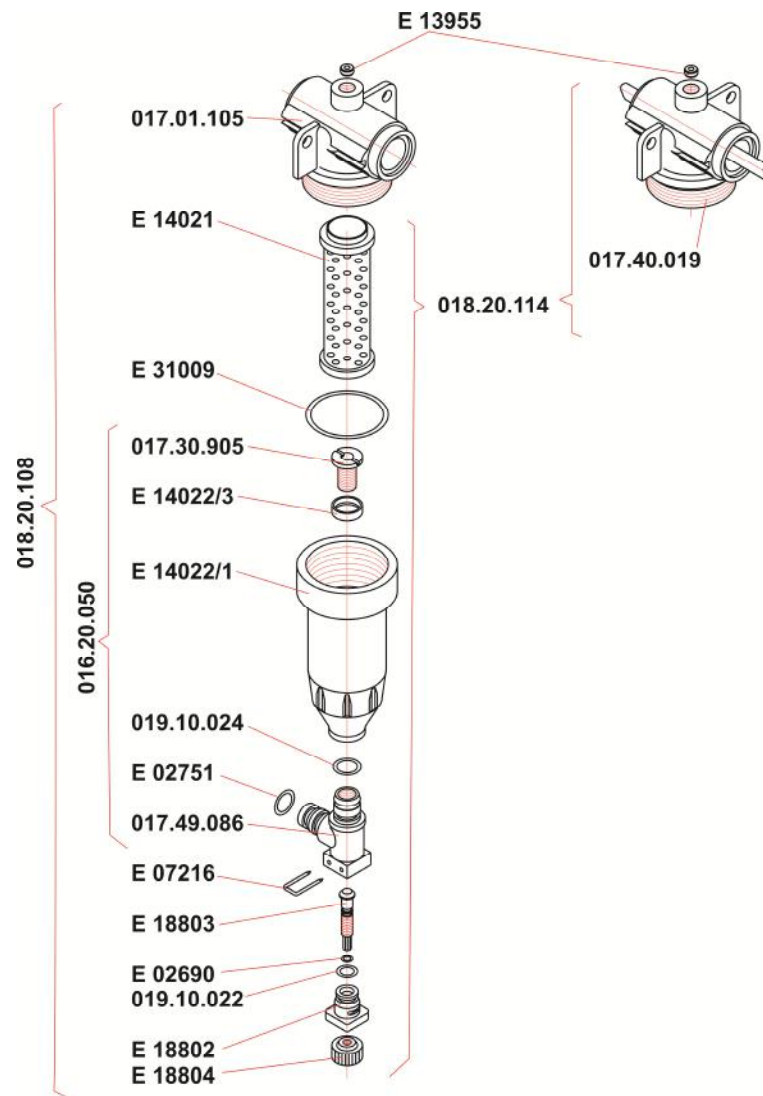
6.6.2014

Date → 21.11.2012

← Date

Serial No. →

← Serial No.



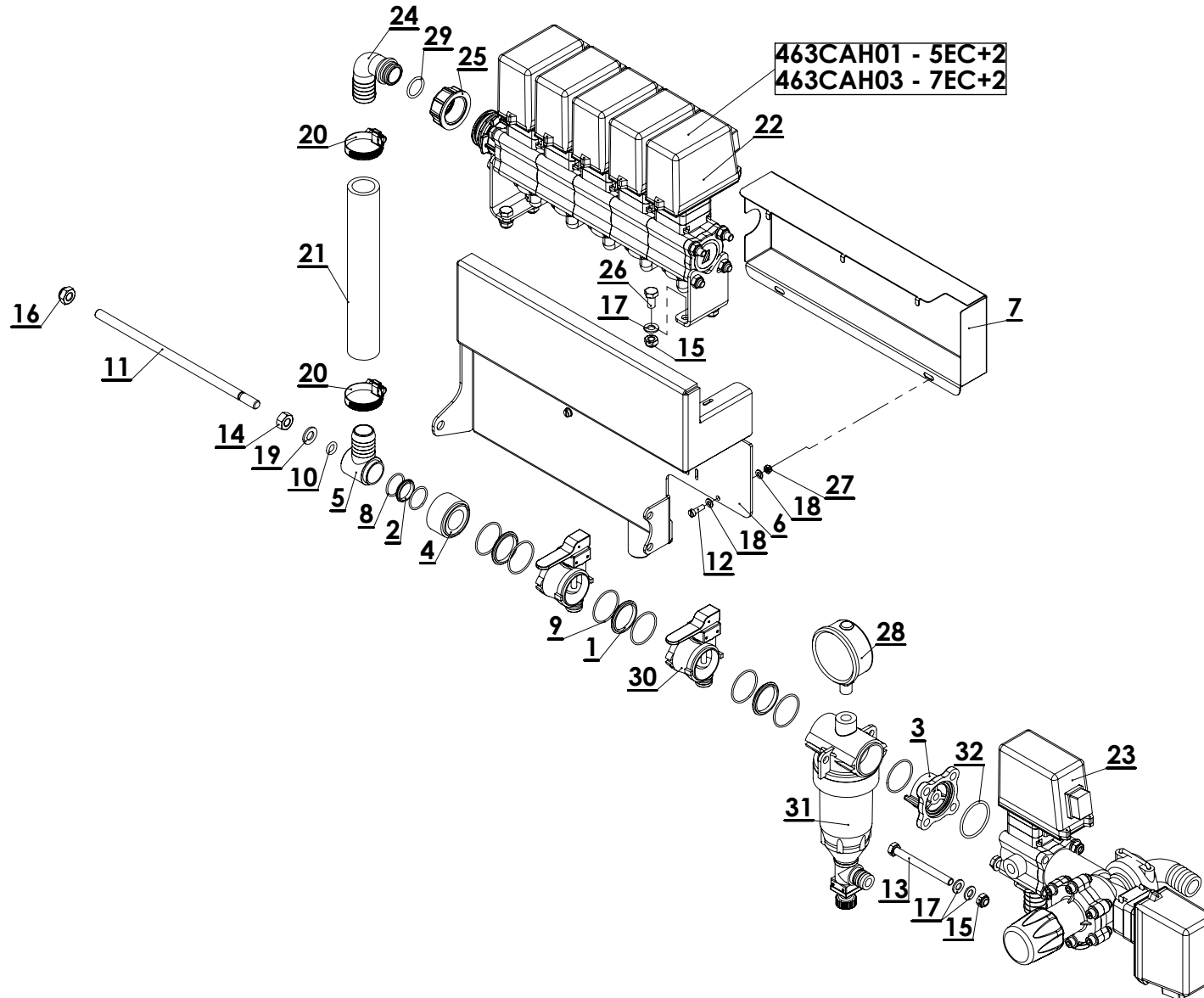
AGS

REGULATOR TLAKA PR3ECF/5EC+2 & 7EC+2
REGULATOR TLAKA PR3ECF/5EC+2 & 7EC+2
CONTROL UNIT PR3ECF/5EC+2 & 7EC+2
BEDIENUNGSARMATUR PR3ECF/5EC+2 & 7EC+2

F05.1.000

Rev.	Date
0-03	20.5.2013
0-04	7.6.2013

Date	—	—	Date
Serial No.	—	—	Serial No.



AGS	REGULATOR TLAKA PR3ECF/5EC+2 & 7EC+2 REGULATOR TLAKA PR3ECF/5EC+2 & 7EC+2 CONTROL UNIT PR3ECF/5EC+2 & 7EC+2 BEDIENUNGSARMATUR PR3ECF/5EC+2 & 7EC+2	F05.1.000	Rev.	Date
			0-03	20.5.2013
			0-04	7.6.2013
Date		Serial No.	Date	
Serial No.		Serial No.		

Poz.	Kataloška št.	Naziv	Unit	QTY.
1	017.01.107	OBROČ TESNILNI fi39x4,5		3
2	017.01.108	OBROČ TESNILNI fi26,4x4,5		1
3	017.41.031	PRIROBNICA PR3 EC/ARAG		1
4	017.49.054	ADAPTER fi39/fi27,5 - PR3 EC		1
5	017.49.055	NASTAVEK KOTNI fi24/fi10		1
6	018.01.682	NOSILEC RC-4		1
7	019.07.199	POKROV KABLOV RC4		1
8	019.10.056	TESNILO "O" fi27,6xfi24x1,8		2
9	019.10.057	TESNILO "O" fi39,3xfi35,7x1,8		7
10	019.10.058	TESNILO "O" fi15xfi9x3		1
11	019.30.342	VIJAK VEZNI M10x246		1
12	019.31.026	VIJAK M5x16 (A2) DIN 84		2
13	019.31.105	Vijak M8x85 (8.8 Zn) DIN 931		4
14	019.33.013	Matica M10 (A2) DIN 934		1
15	019.33.019	Matica M8 (8.8 Zn) DIN 985		8
16	019.33.032	Matica M10 (A2) DIN 985		1
17	019.35.013	Podložka 8,4 (Zn) DIN 125		12
18	019.35.017	Podložka 5,3 (A2) DIN 125		4
19	019.35.018	Podložka 10,5 (A2) DIN 125		1
20	019.35.202	OBJEMKA fi25-fi40		2
21	019.62.004	CEV GUMI fi25x5 (20/60 bar)		1
22	463CAH01	KPL.RAZV.REG.VENTILOV EM-5		1
23	471CAH02	VENTIL REGULACIJSKI-KPL.		1
24	531320	KOLENO fi25-1"		1
25	531355	MATICA R 1"		1
26	540207	Vijak M8x16 (8.8 Zn) DIN 933		4
27	540605	Matica M5 (8.8 Zn) DIN 985-S		2
28	545009	MANOMETER GLIC.fi63/0- 6-25 Z		1
29	546045	TESNILO "O" fi20,2x2,6 ARAG (G 10041)		1
30	E 14578	VENTIL RAZVODNI		2
31	E 32209	FILTER SAMOČISTILNI-KOMPLET		1
32	G10071V	TESNILO "O" fi 39,34 x fi 2,62		1

AGS

REGULATOR TLAKA PR3ECF/5EC+2 F.R.
REGULATOR TLAKA PR3ECF/5EC+2 F.R.
CONTROL UNIT PR3ECF/5EC+2 F.R.
BEDIENUNGSARMATUR PR3ECF/5EC+2 F.R.

F05.2.000

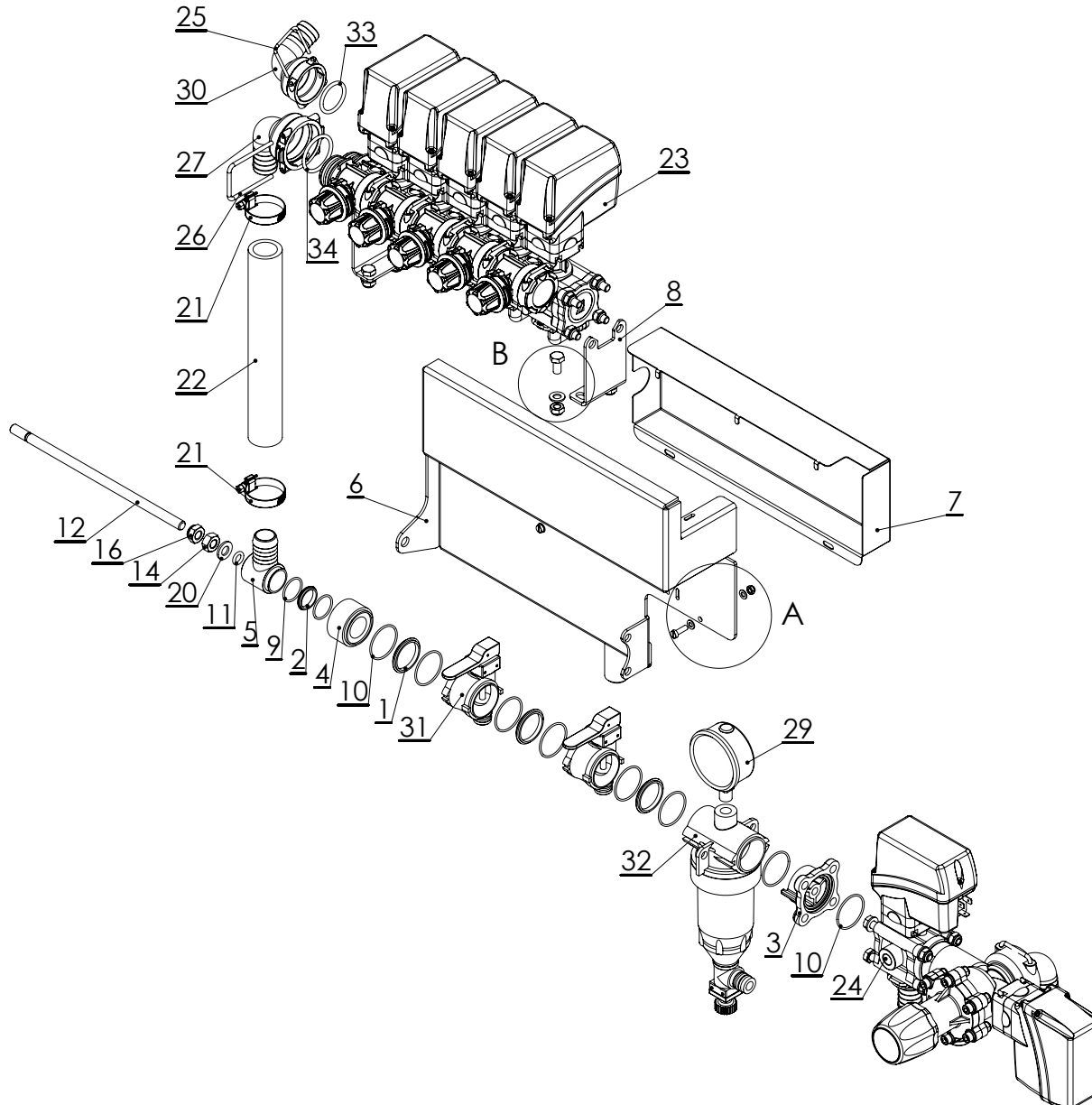
Rev.	Date
0-02	6.2.2015
0-03	6.2.2015

Date → 2015

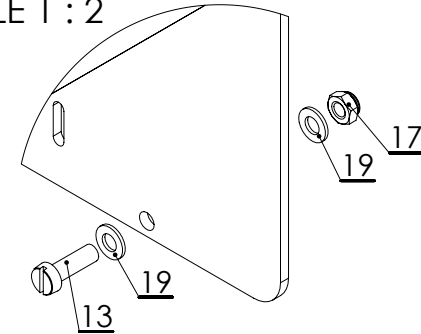
← Date

Serial No. → _

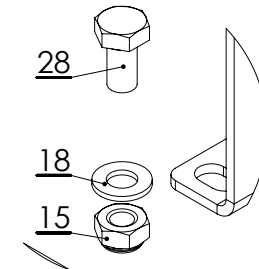
← Serial No.



DETAIL A
SCALE 1 : 2



DETAIL B
SCALE 1 : 2



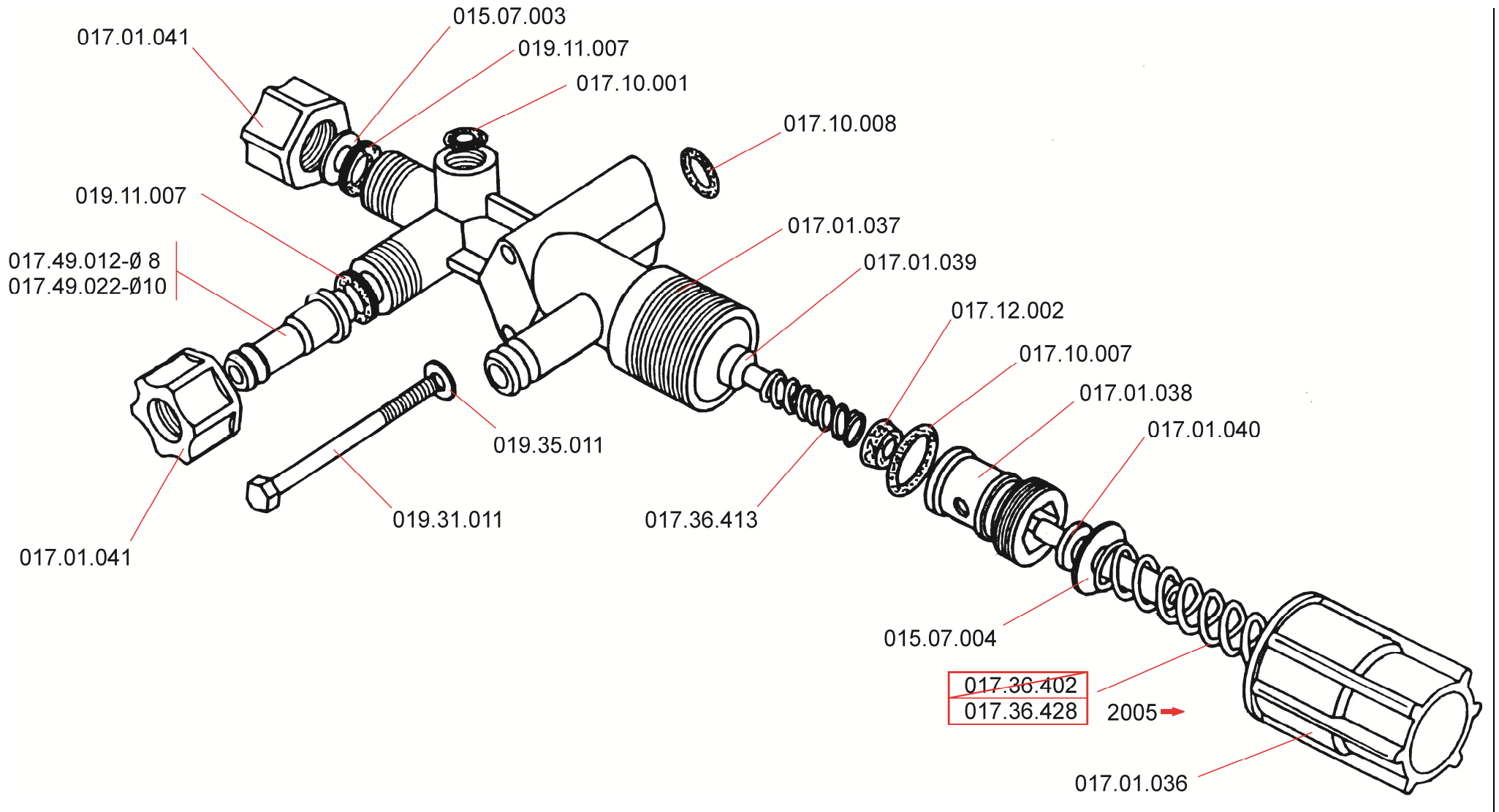
AGS		REGULATOR TLAKA PR3ECF/5EC+2 F.R. REGULATOR TLAKA PR3ECF/5EC+2 F.R. CONTROL UNIT PR3ECF/5EC+2 F.R. BEDIENUNGSARMATUR PR3ECF/5EC+2 F.R.		F05.2.000		Rev.	Date
				Date → 2015		0-02	6.2.2015
				Serial No. → _		0-03	6.2.2015
Poz.	Kataloška št.	Naziv	Unit	QTY.			
1	017.01.107	OBROČ TESNILNI fi39x4,5		3			
2	017.01.108	OBROČ TESNILNI fi26,4x4,5		1			
3	017.41.031	PRIROBNICA PR3 EC/ARAG		1			
4	017.49.054	ADAPTER fi39/fi27,5 - PR3 EC		1			
5	017.49.055	NASTAVEK KOTNI fi24/fi10		1			
6	018.01.682	NOSILEC RC-4		1			
7	019.07.199	POKROV KABLOV RC4		1			
8	019.07.253	NOSILEC SEKCIJSKIH VENTILOV		2			
9	019.10.056	TESNILO "O" fi27,6xfi24x1,8		2			
10	019.10.057	TESNILO "O" fi39,3xfi35,7x1,8		8			
11	019.10.058	TESNILO "O" fi15xfi9x3		1			
12	019.30.342	VIJAK VEZNI M10x246		1			
13	019.31.026	VIJAK M5x16 (A2) DIN 84		2			
14	019.33.013	Matica M10 (A2) DIN 934		1			
15	019.33.019	Matica M8 (8.8 Zn) DIN 985		4			
16	019.33.032	Matica M10 (A2) DIN 985		1			
17	019.33.035	Matica M5 (A2) DIN 985		2			
18	019.35.013	Podložka 8,4 (Zn) DIN 125		4			
19	019.35.017	Podložka 5,3 (A2) DIN 125		4			
20	019.35.018	Podložka 10,5 (A2) DIN 125		1			
21	019.35.202	OBJEMKA fi25-fi40		2			
22	019.62.004	CEV GUMI fi25x5	m	1			
23	863CAH02	KPL. RAZVOD. VENTILOV EM-5 F.R		1			
24	871CAH02	VENTIL REGULACIJSKI-KPL./POČASNI		1			
25	010004	ZATIK U T4		1			
26	010005	ZATIK U T5		1			
27	531485	KOLENO 25-T5F		1			
28	540207	Vijak M8x16 (8.8 Zn) DIN 933		4			
29	545009	MANOMETER GLIC.fi63/0- 6-25 Z		1			
30	1190425	KOLENO fi25 T4 F		1			
31	E 14578	VENTIL RAZVODNI		2			
32	E 32209	FILTER SAMOČISTILNI-KOMPLET		1			
33	G11054V	TESNILO "O" ZA NASTAVEK T4		1			
34	G11063V	TESNILO "O" ZA NASTAVEK T5		1			

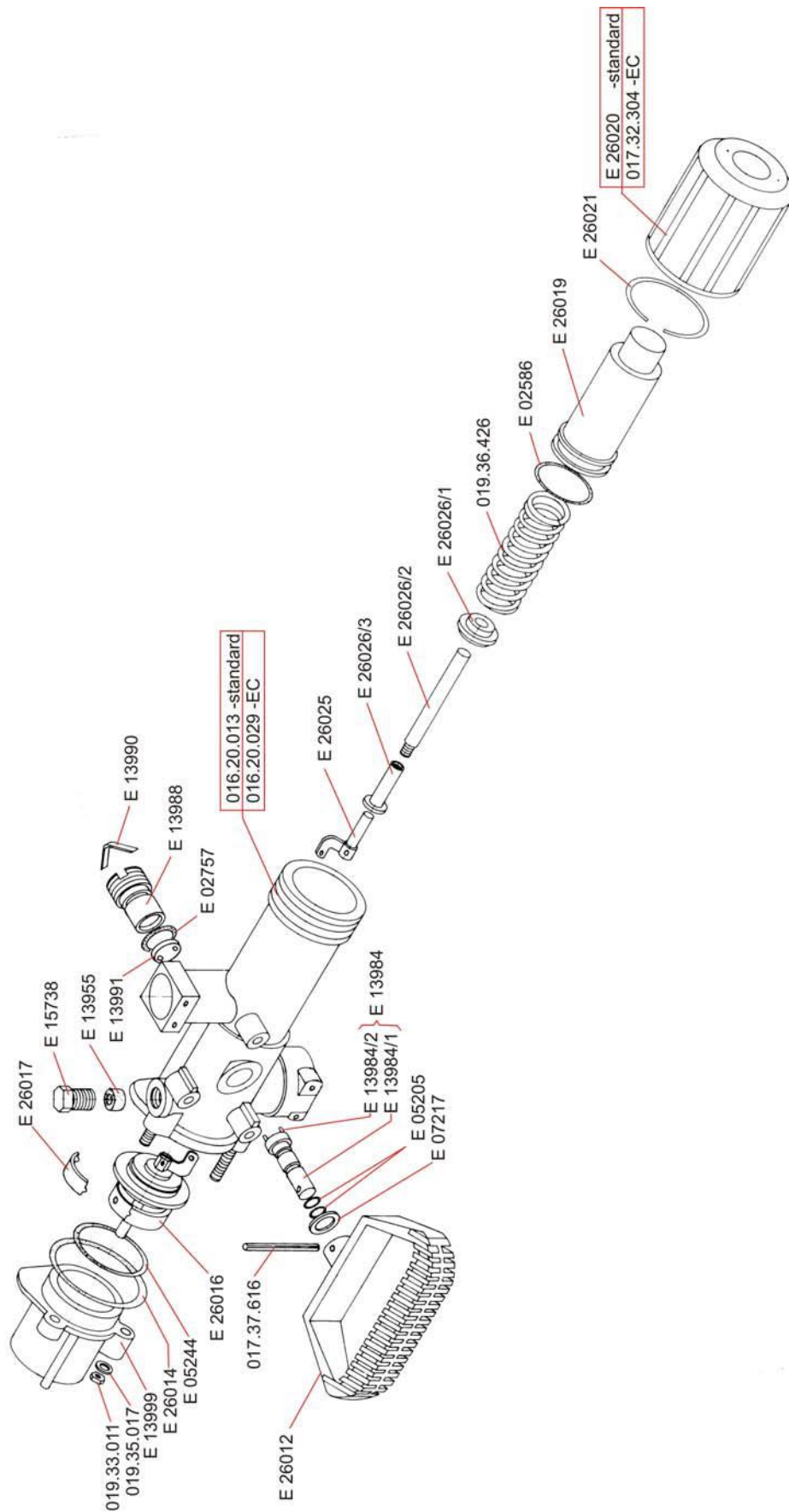
**REGULATOR TLAKA PR5
CONTROL UNIT PR5
BEDIENUNGSARMATUR PR5**

F06.1-000

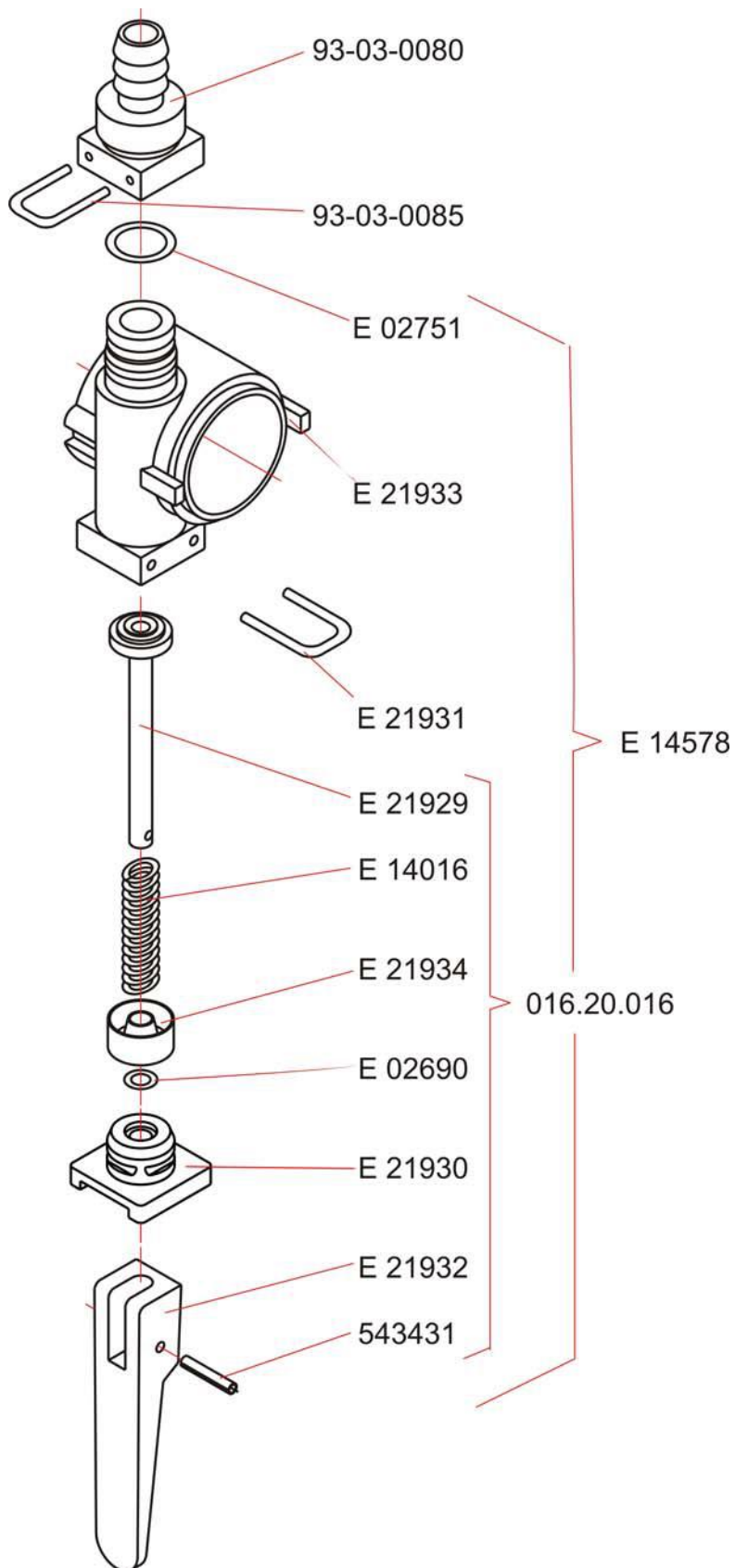
Rev.	Date
	1.7.2014

Date	→	2013		←	Date
Serial No.	→			←	Serial No.





SLO	CENTRALNI REGULACIJSKI VENTIL PR3 STANDARD / EC	ENG	CENTRAL REGULATING VALVE PR3 STANDARD / EC	20.5.2010
HR	CENTRALNI REGULACIJSKI VENTIL PR3 STANDARD / EC	GER	ZENTRALREGULIERVENTIL PR3 STANDARD / EC	F1.1



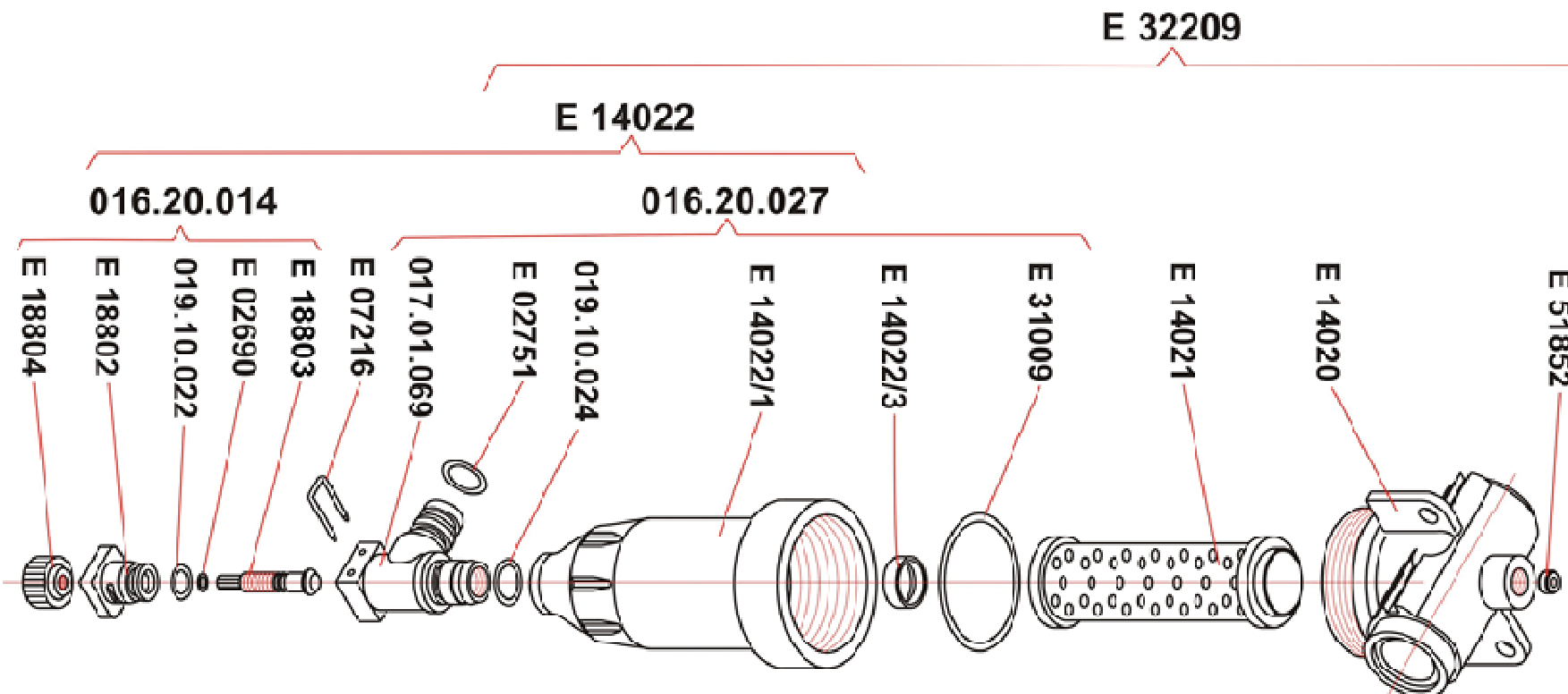
SLO	VENTIL RAZVODNI E 14578	ENG	DISTRIBUTION VALVE E 14578	5.5.2009
HR	VENTIL RAZVODNI E 14578	GER	VERTEILERVERTIL E 14578	F1.3

FILTER TLAČNI SAMOČISTILNI PR3
 FILTER TLAČNI SAMOČISTEČI PR3
 SELF-CLEANING FILTER PR3
 SALBSTREINIGENDES FILTER PR3

F 1.4

Rev.	Date
	4.3.2013

Date	→	2013	←	Date
Serial No.	→		←	Serial No.



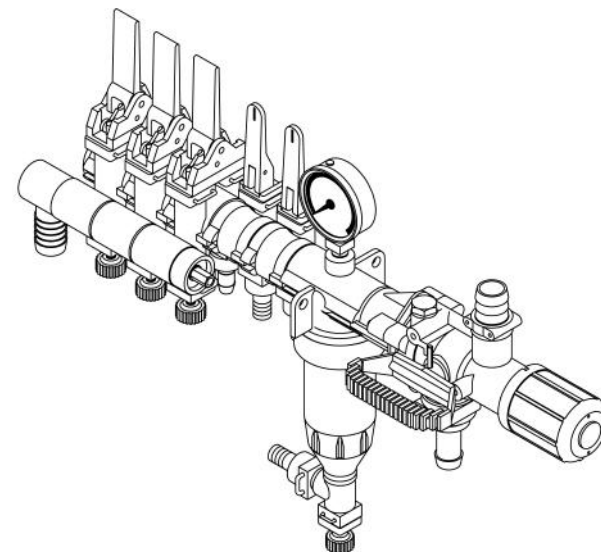
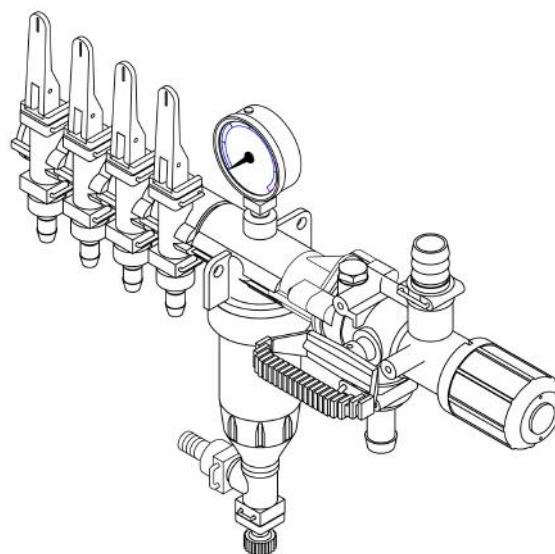
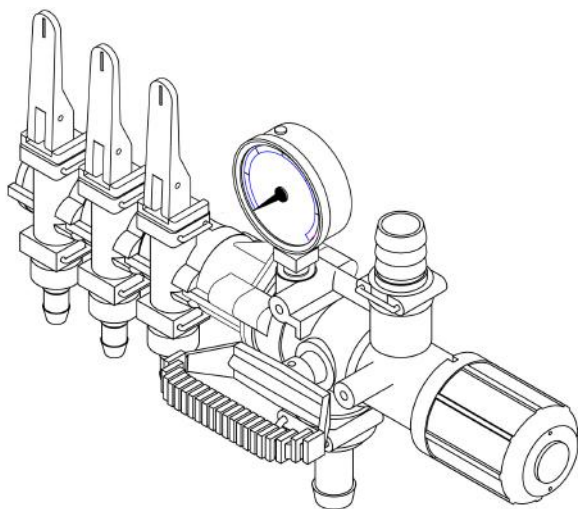
**REGULATOR TLAKA PR3
CONTROL UNIT PR3
BEDIENUNGSARMATUR PR3**

F 1_V2

Rev.	Date
01	17.6.2013

Date	→	1.6.2013	←	Date
Serial No.	→		←	Serial No.

OBLIKA/OBLIK/FORM



NAZIV/
DESCRIPTION/
BEZEICHNUNG

PR3 C/3

PR3 C/4

PR3 CF/3

PR3 CF/4

PR3 CF/5

PR3 BF/3+1

PR3 BF/5+1

PR3 BF/5+2

KAT.ŠT./
KAT.BROJ/
PART NO./
TEIL NR.

220003

220004

220023

220024

220025

220073

220075

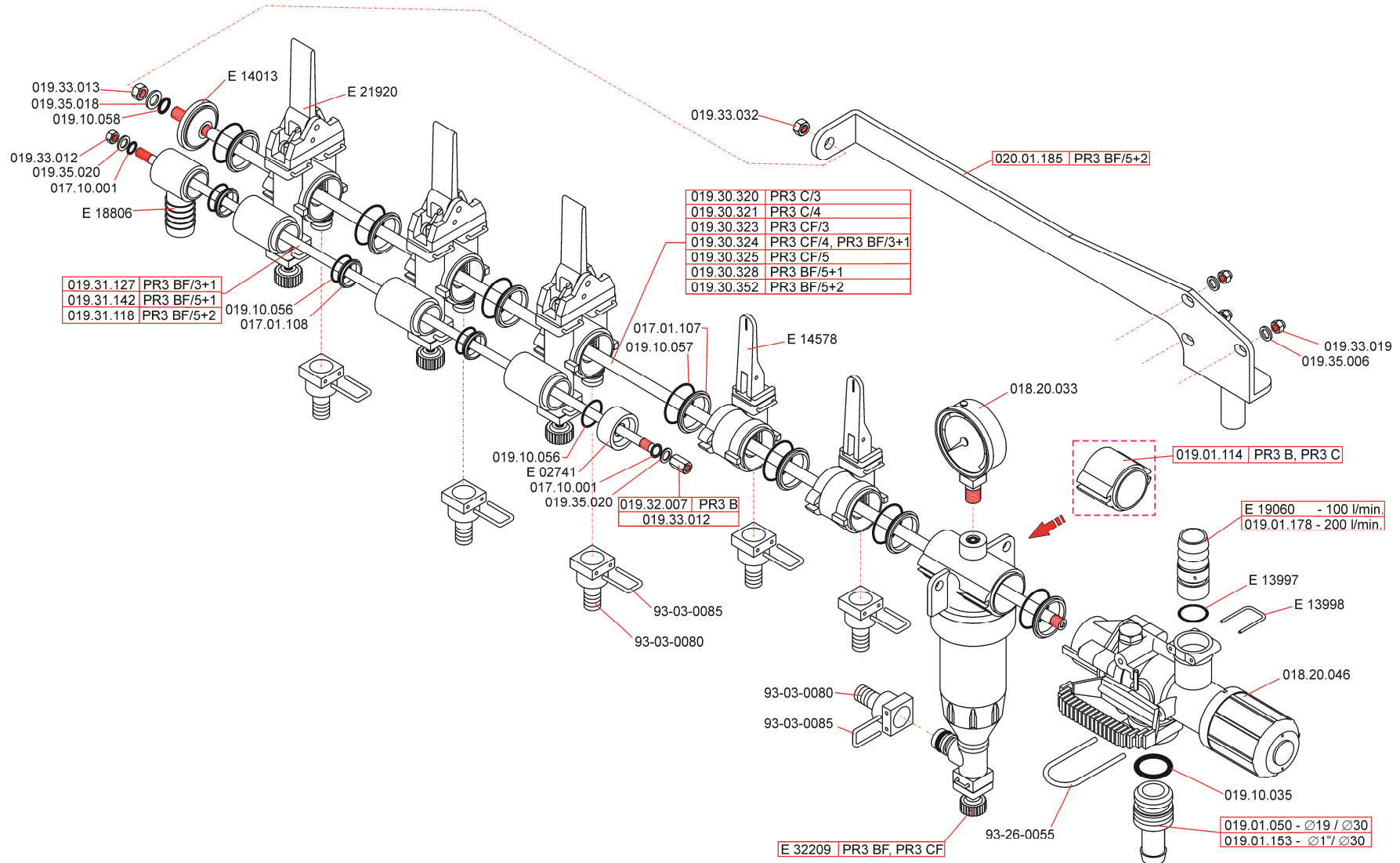
220071

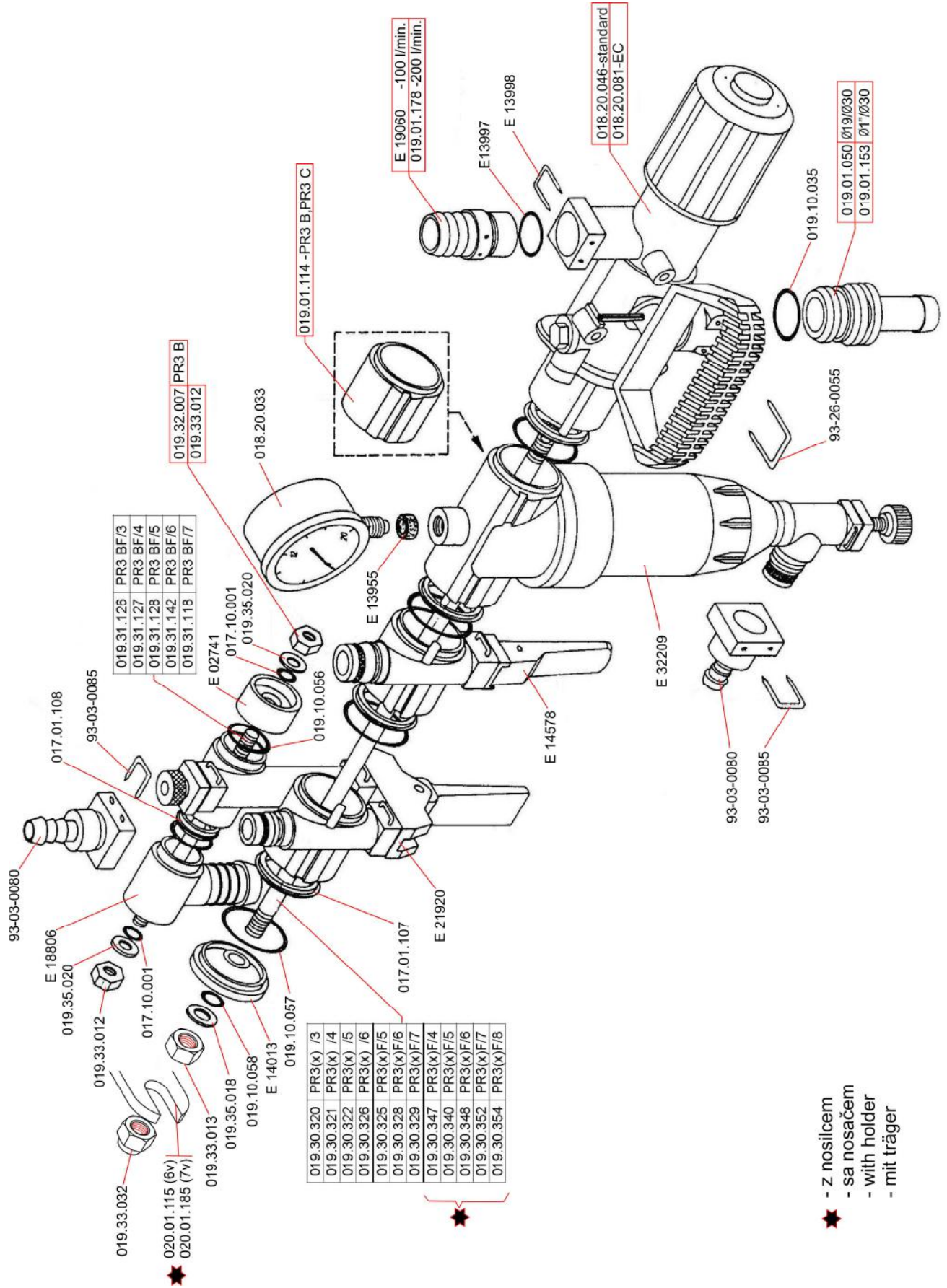
**REGULATOR TLAKA PR3
CONTROL UNIT PR3
BEDIENUNGSARMATUR PR3**

F 1_V2

Rev.	Date
01	17.6.2013

Date	→ 1.6.2013	← Date
Serial No.	→	← Serial No.





- ★ - z nosilcem
- ★ - sa nosačem
- with holder
- mit träger

SLO	REGULATOR TLAKA PR3	ENG	CONTROL UNIT PR3	13.12.2012
HR	REGULATOR TLAKA PR3	GER	BEDIENUNGSARMATUR PR3	F1

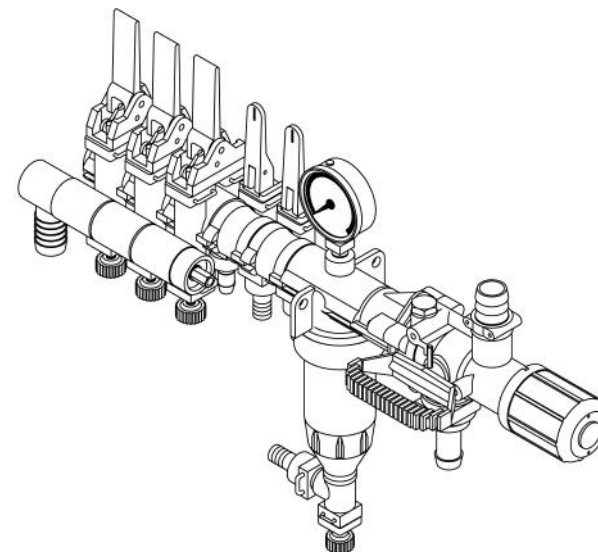
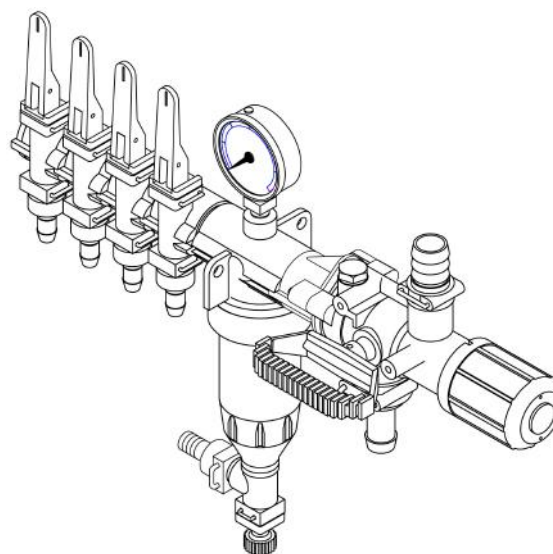
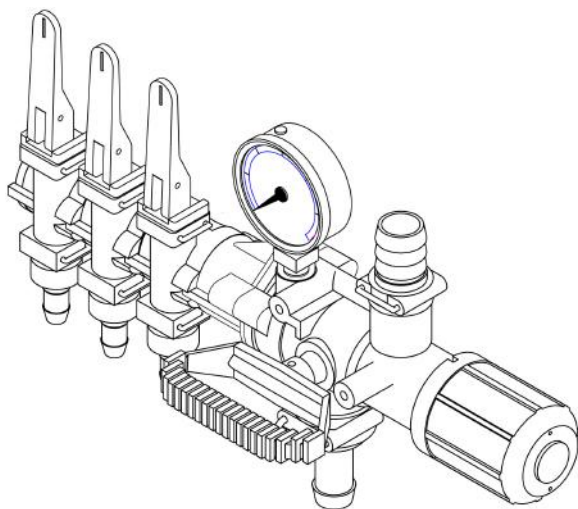
**REGULATOR TLAKA PR3
CONTROL UNIT PR3
BEDIENUNGSARMATUR PR3**

F 1_V2

Rev.	Date
01	17.6.2013

Date	→	1.6.2013	←	Date
Serial No.	→		←	Serial No.

OBLIKA/OBLIK/FORM



NAZIV/
DESCRIPTION/
BEZEICHNUNG

PR3 C/3

PR3 C/4

PR3 CF/3

PR3 CF/4

PR3 CF/5

PR3 BF/3+1

PR3 BF/5+1

PR3 BF/5+2

KAT.ŠT./
KAT.BROJ/
PART NO./
TEIL NR.

220003

220004

220023

220024

220025

220073

220075

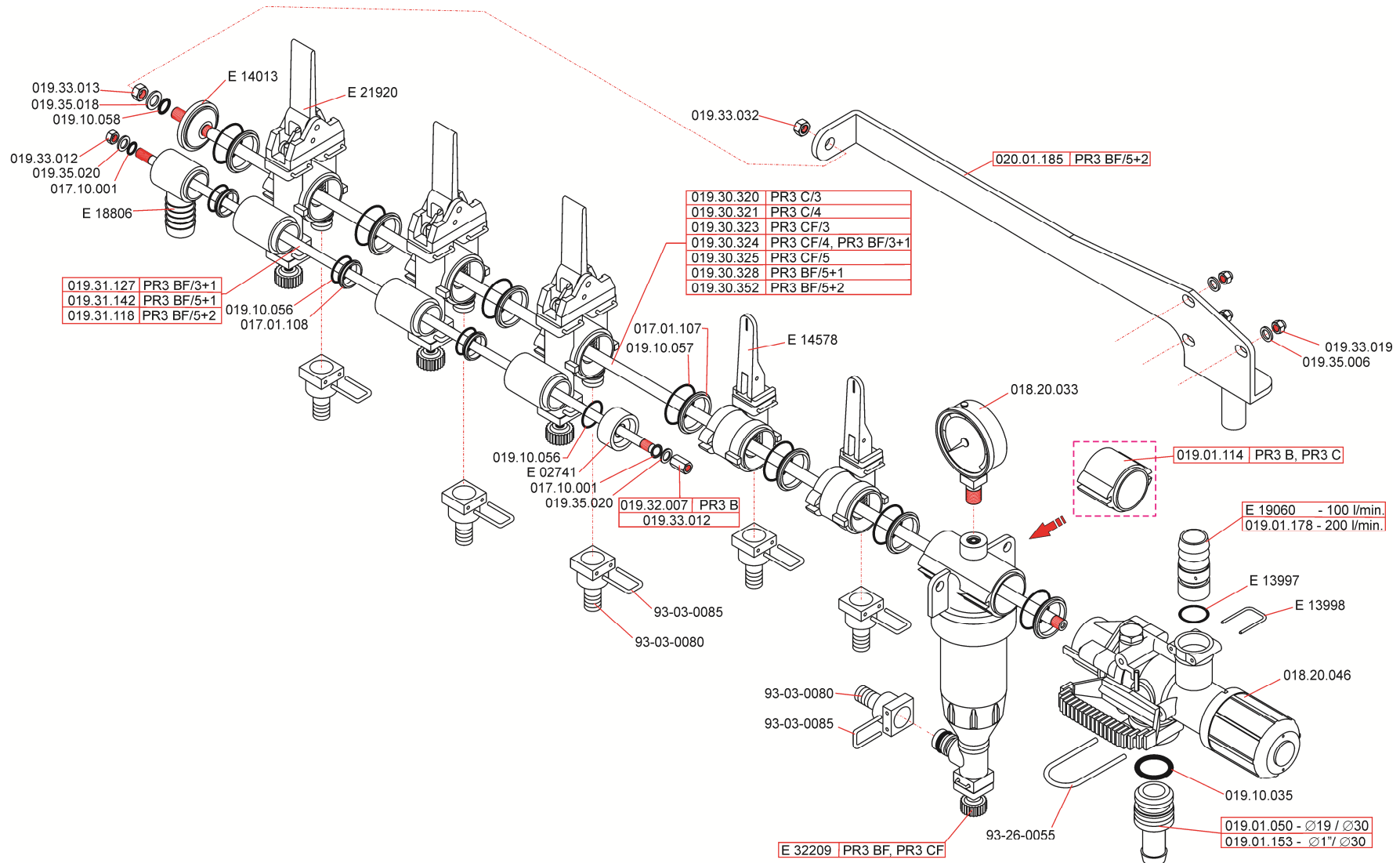
220071

REGULATOR TLAKA PR3
CONTROL UNIT PR3
BEDIENUNGSARMATUR PR3

F 1_V2

Rev.	Date
01	17.6.2013

Date	→	1.6.2013	←	Date
Serial No.	→		←	Serial No.



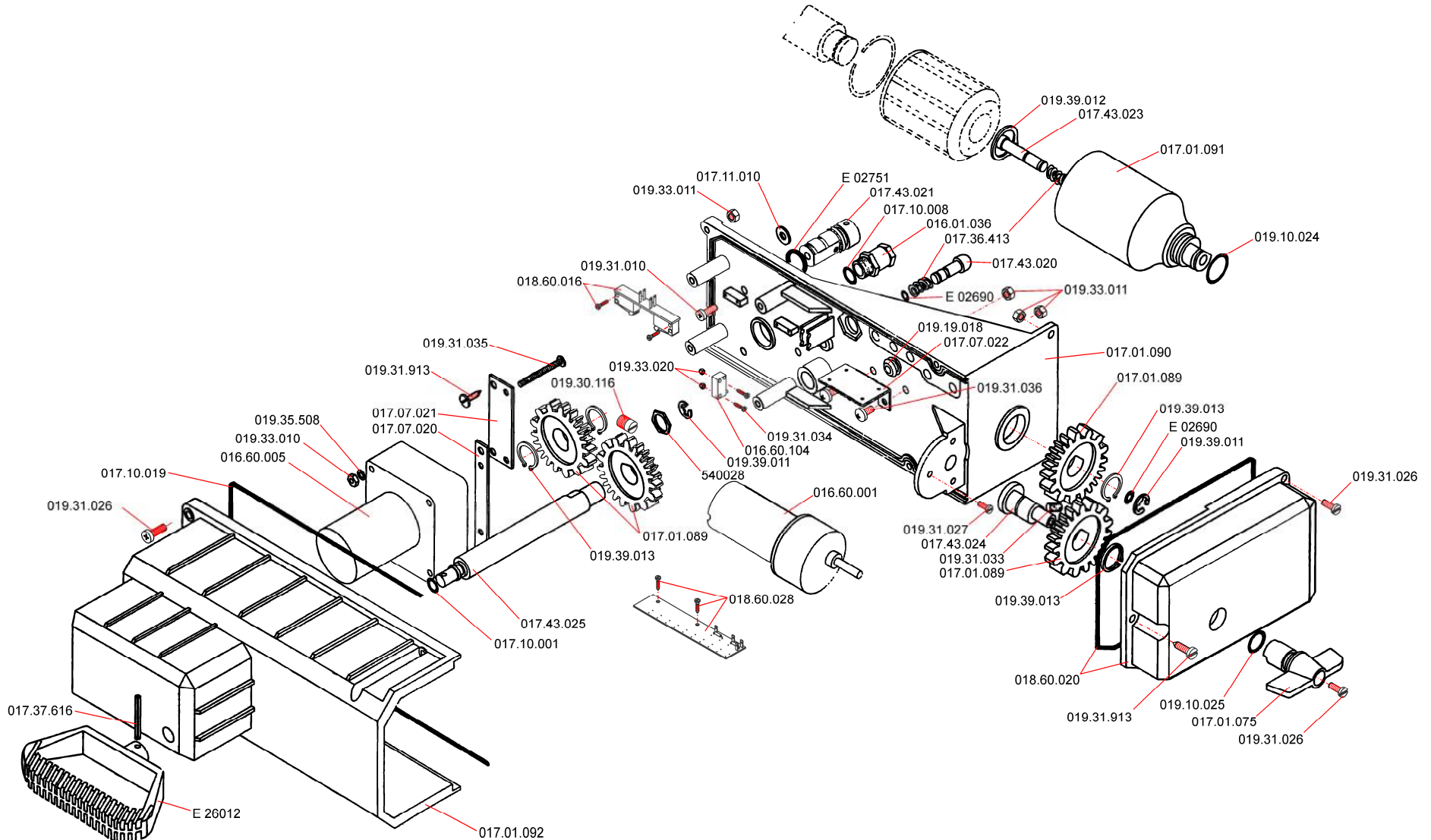
018.20.068

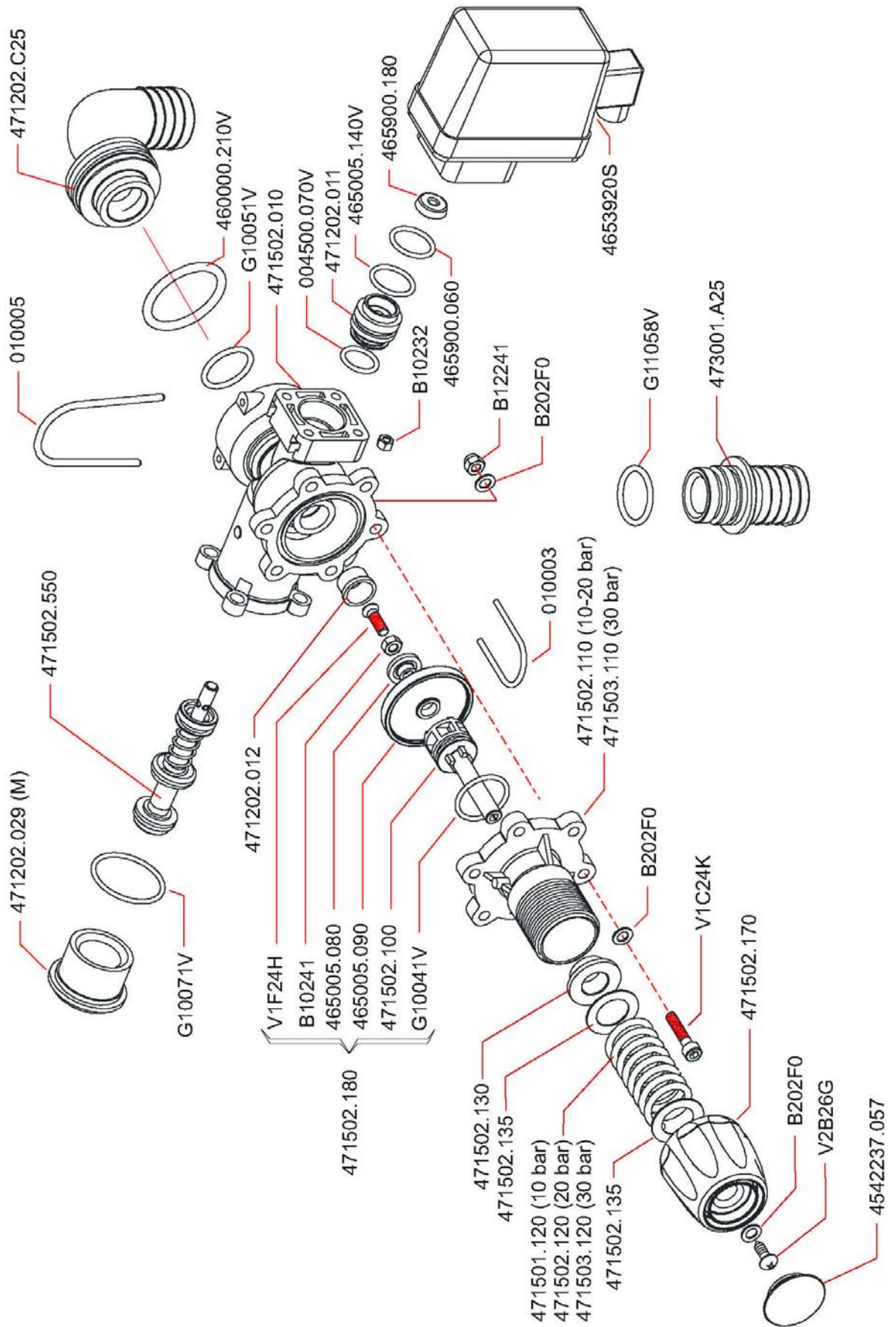
DEL CENTRALNO-REGULACIJSKI EM
CENTRALNO-REGULACIONI DEO EM
CENTRALNO-REGULACIJSKI DIO EM
EM CENTRALREGULIERVENTILTEIL
EM PART OF CENTRAL REGULATING VALVE

F 2.1.1

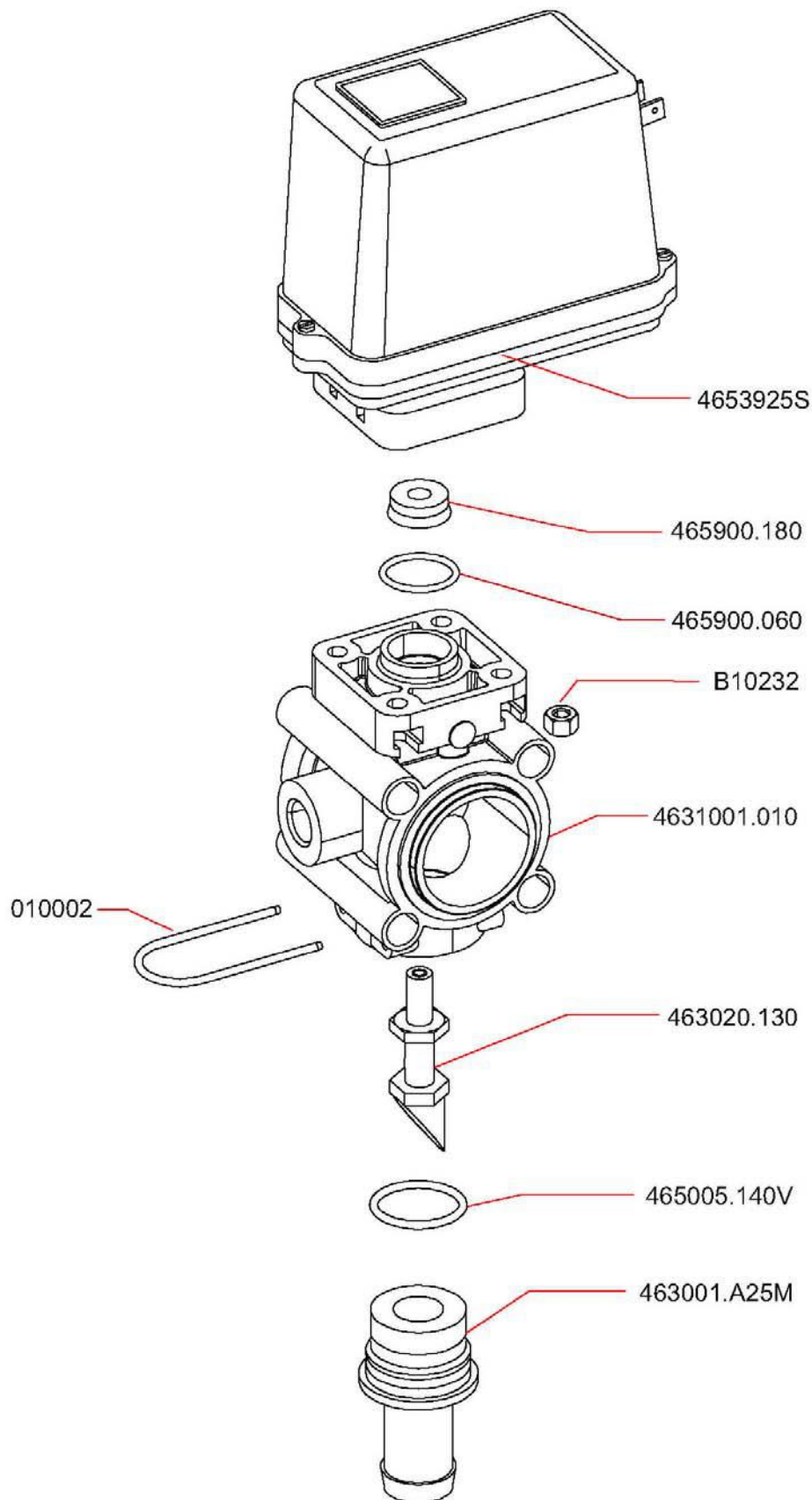
Rev.	Date
	2013

Date	→	2008		←	Date
Serial No.	→			←	Serial No.

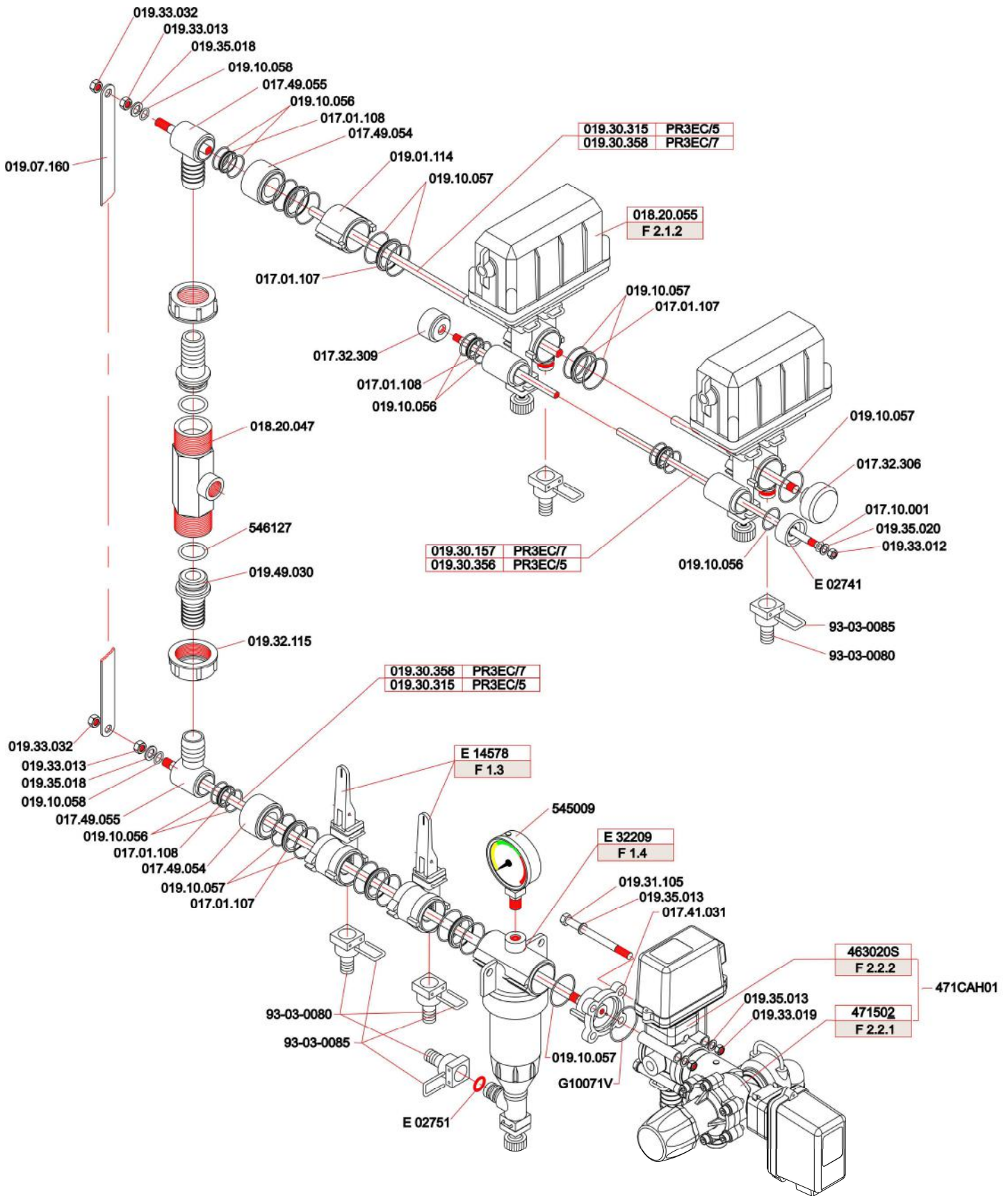




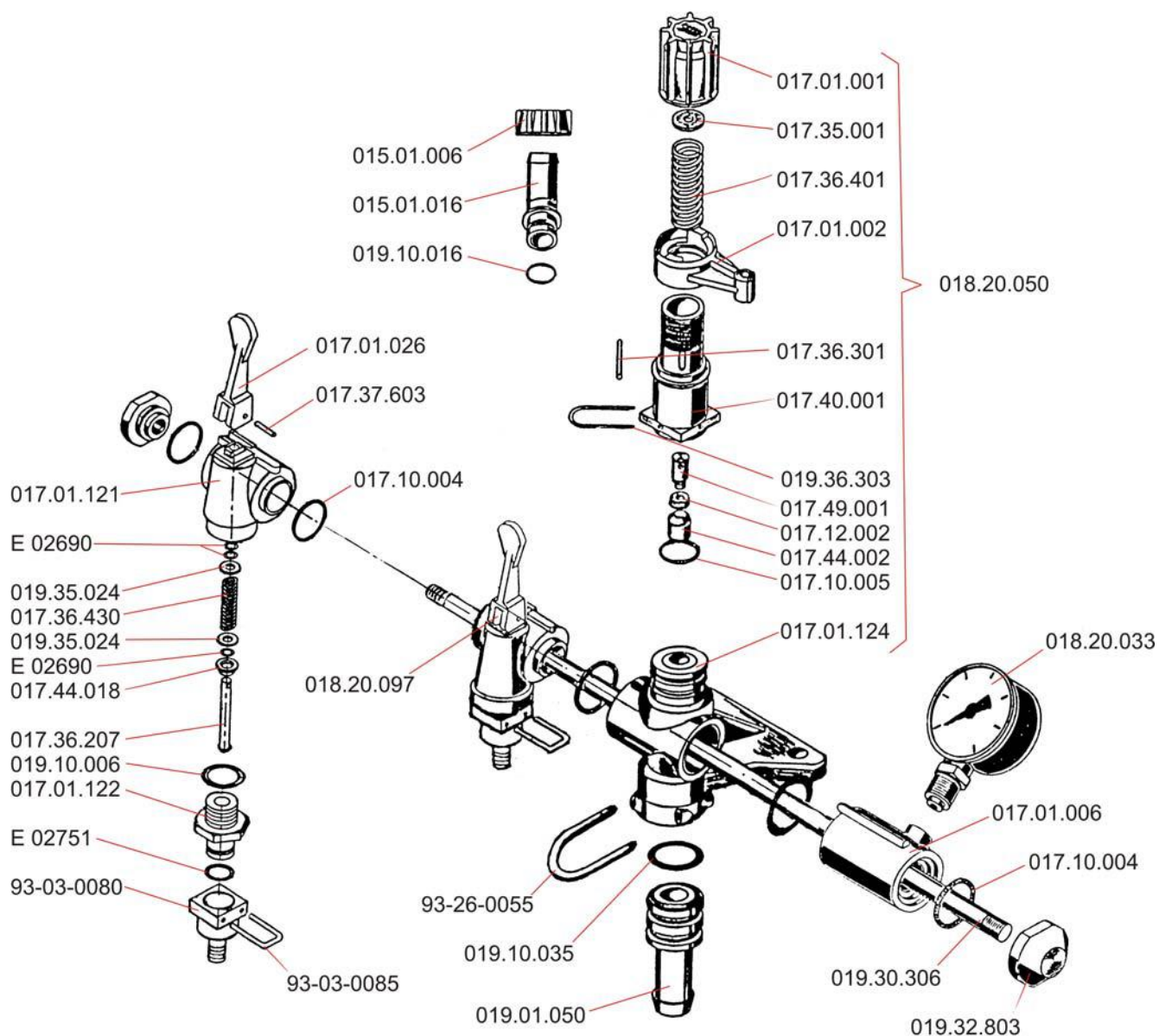
SLO	VENTIL REGULACIJSKI GLAVNI EM 471502	ENG	MAIN CONTROL VALVE EM 471502	19.8.2010
HR	VENTIL REGULACIJSKI GLAVNI EM 471502	GER	HAUPTSCHALTVENTILE EM 471502	F 2.2.1



SLO	VENTIL REGULACIJSKI EM (ZA FINO REGULACIJO) 463020S	ENG	PROPORTIONAL CONTROL VALVE EM 463020S	19.8.2010
HR	VENTIL REGULACIJSKI EM 463020S	GER	PROPORTIONAL-REGELVENTILE EM 463020S	F 2.2.2



SLO	REGULATOR TLAKA PR3ECFM/X+2	ENG	CONTROL UNIT PR3ECFM/X+2	12.11.2012
HR	REGULATOR TLAKA PR3ECFM/X+2	GER	BEDIENUNGSARMATUR PR3ECFM/X+2	F 2.2



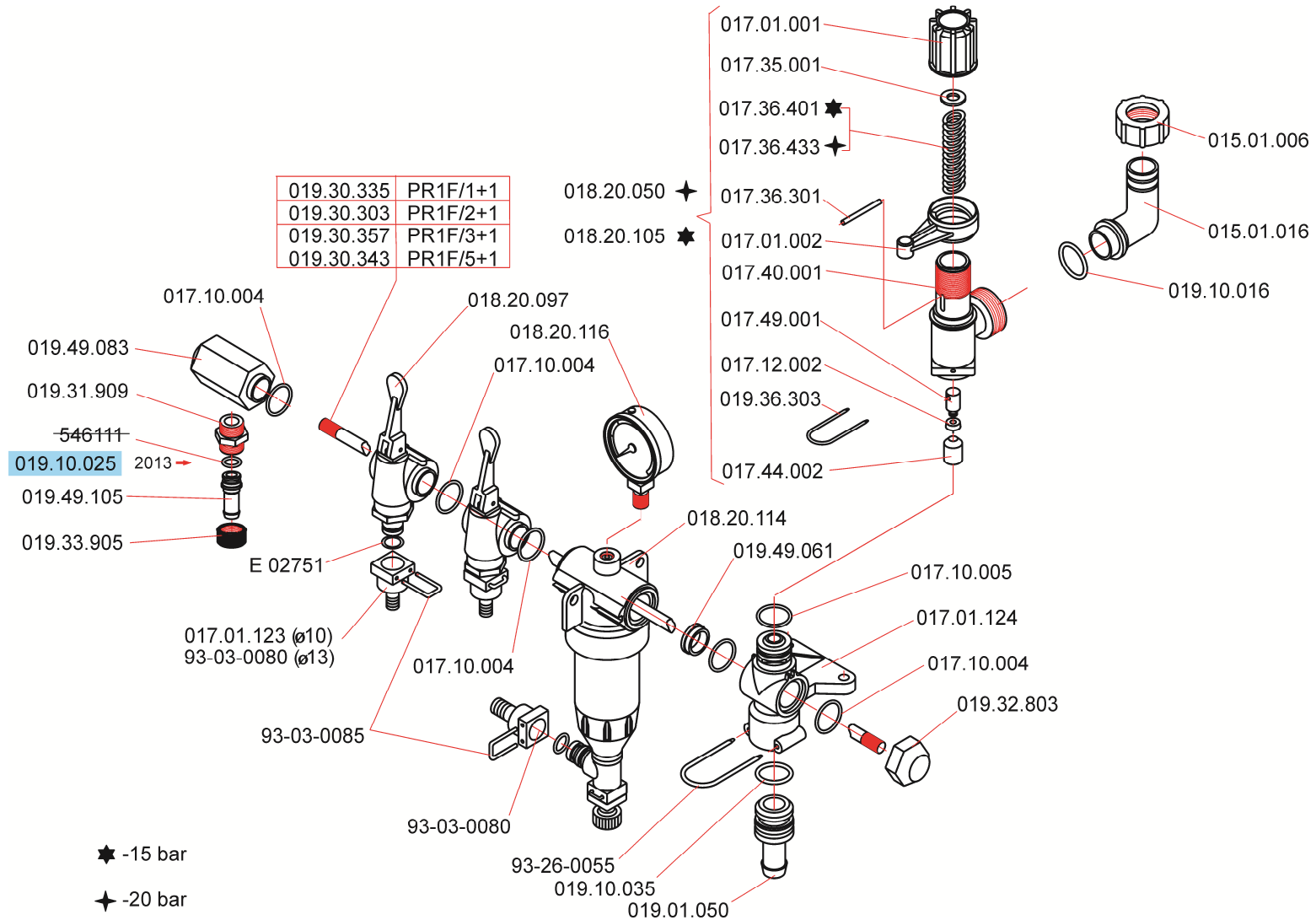
SLO	REGULATOR TLAKA PR1	ENG	CONTROL UNIT PR1	1.6.2010
HR	REGULATOR TLAKA PR1	GER	BEDIENUNGSARMATUR PR1	F 3.2

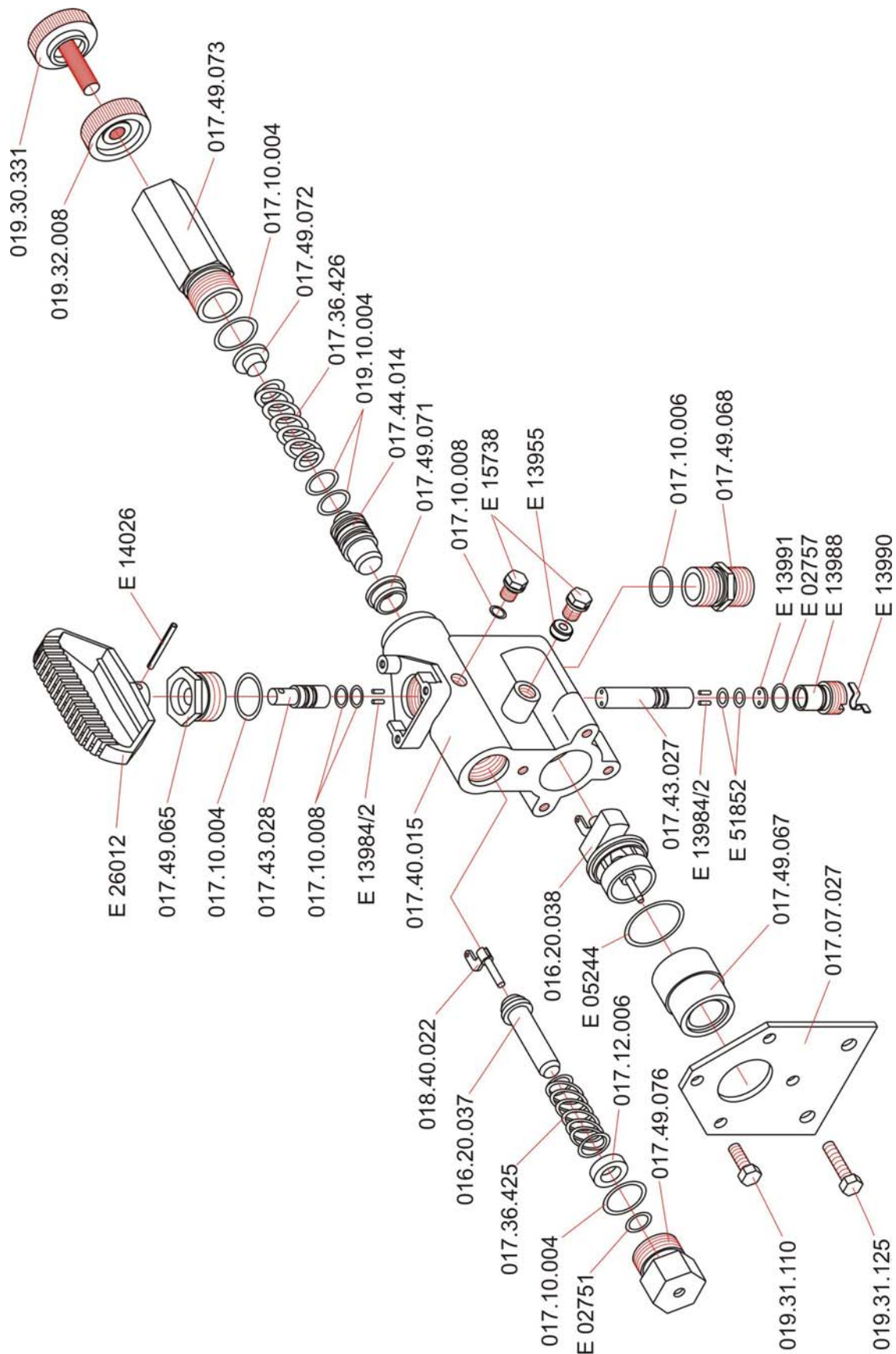
REGULATOR TLAKA PR1F/X+1
CONTROL UNIT PR1F/X+1
BEDIENUNGSARMATUR PR1F/X+1

F 3.3

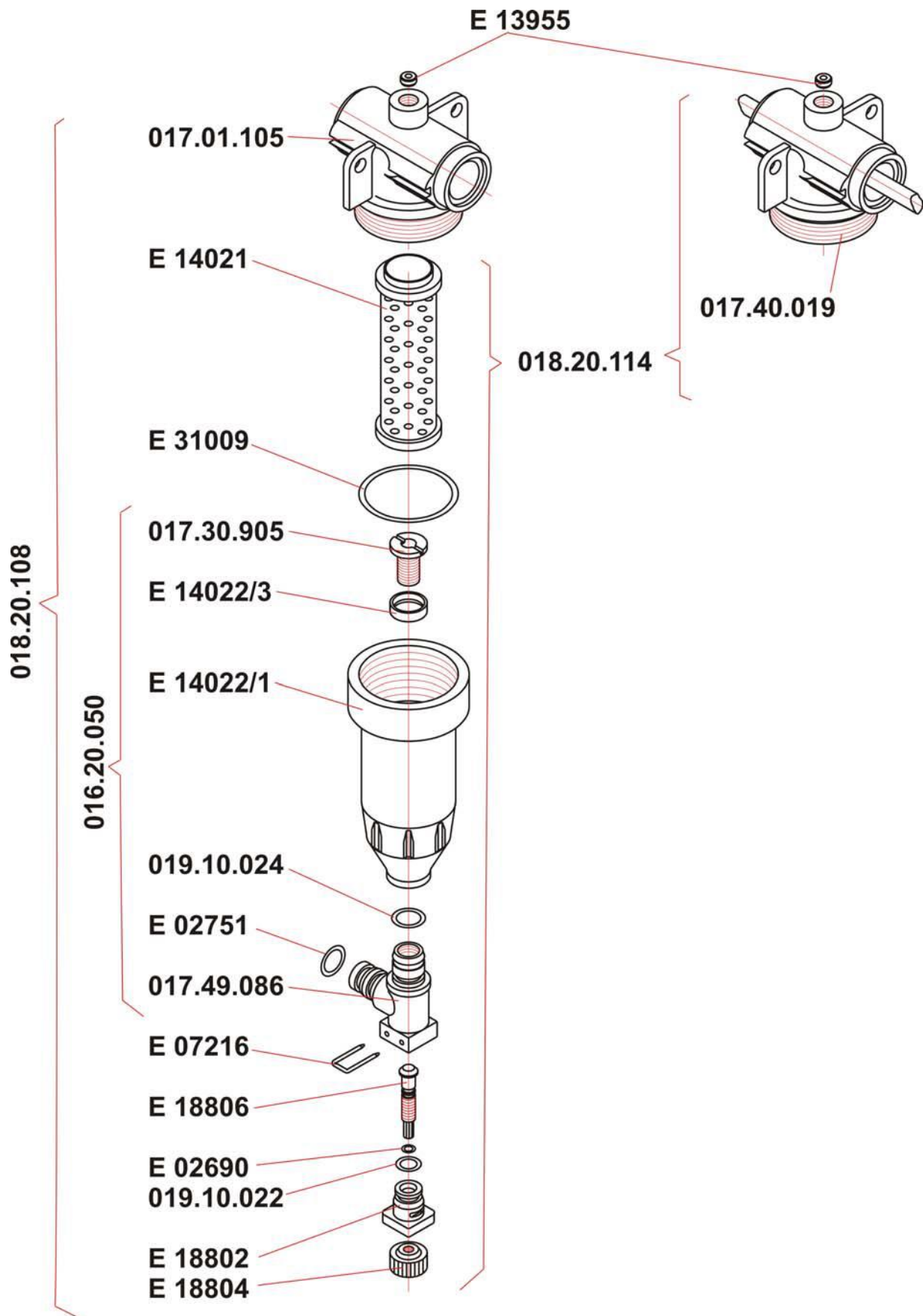
Rev.	Date
	7.11.2013

Date	→ 2013	←	Date
Serial No.	→	←	Serial No.

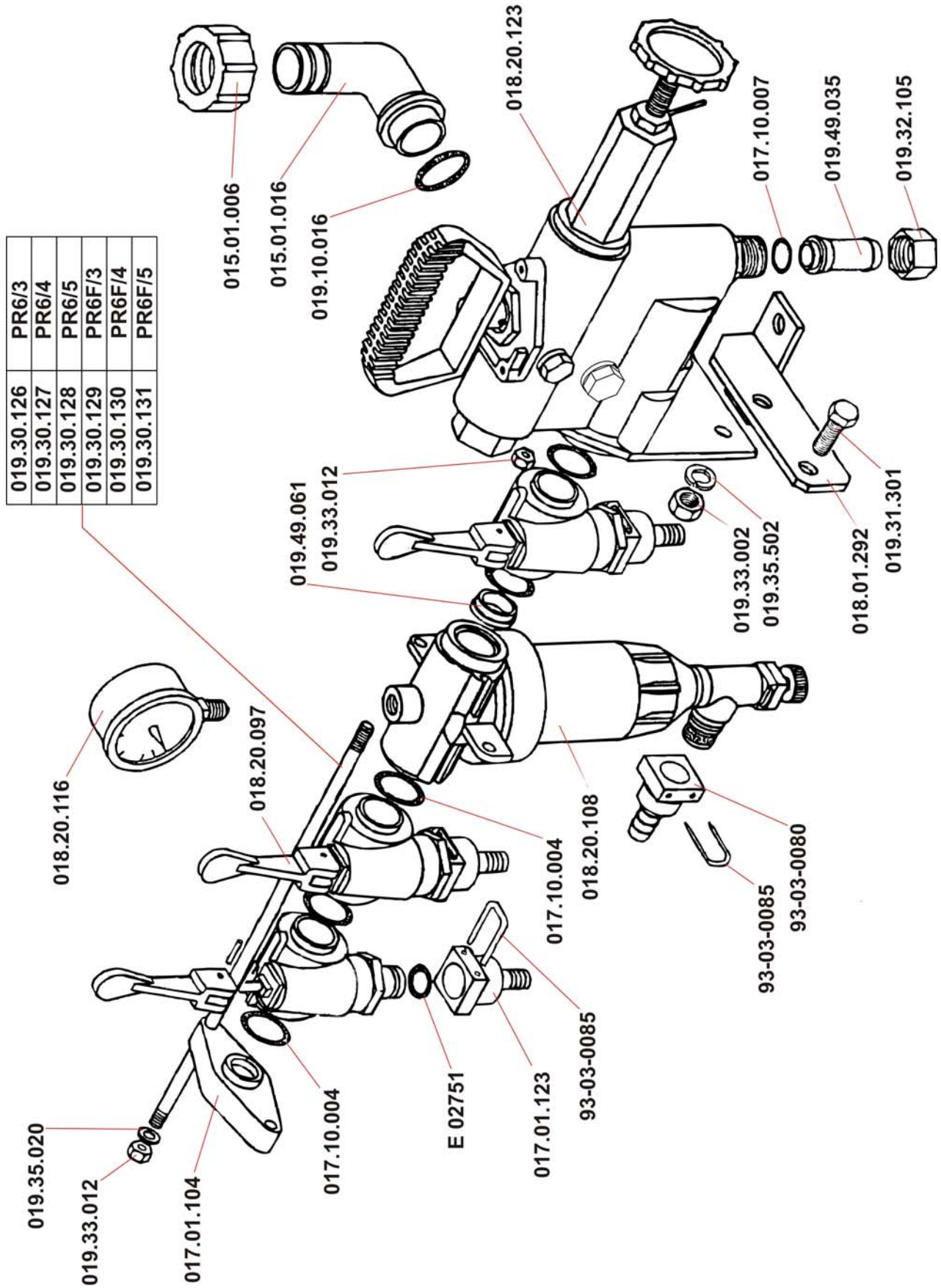




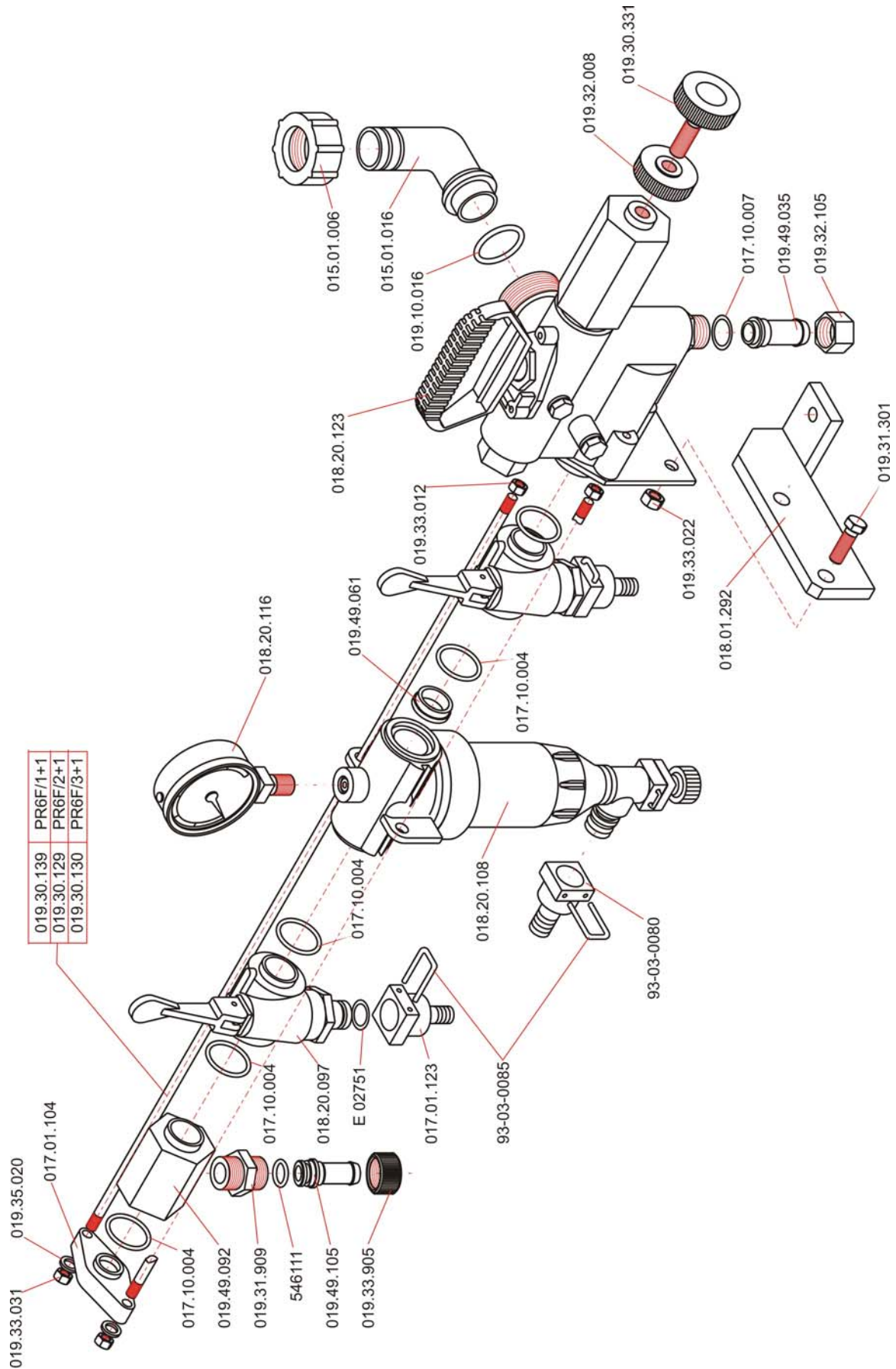
SLO	DEL CENTRALNI PR6 018.20.123	ENG	CENTRAL REGULATING VALVE PR6 018.20.123	6.5.2009
HR	DIO CENTRALNI PR6 018.20.123	GER	ZENTRALREGULIERVENTIL PR6 018.20.123	F4.1.1



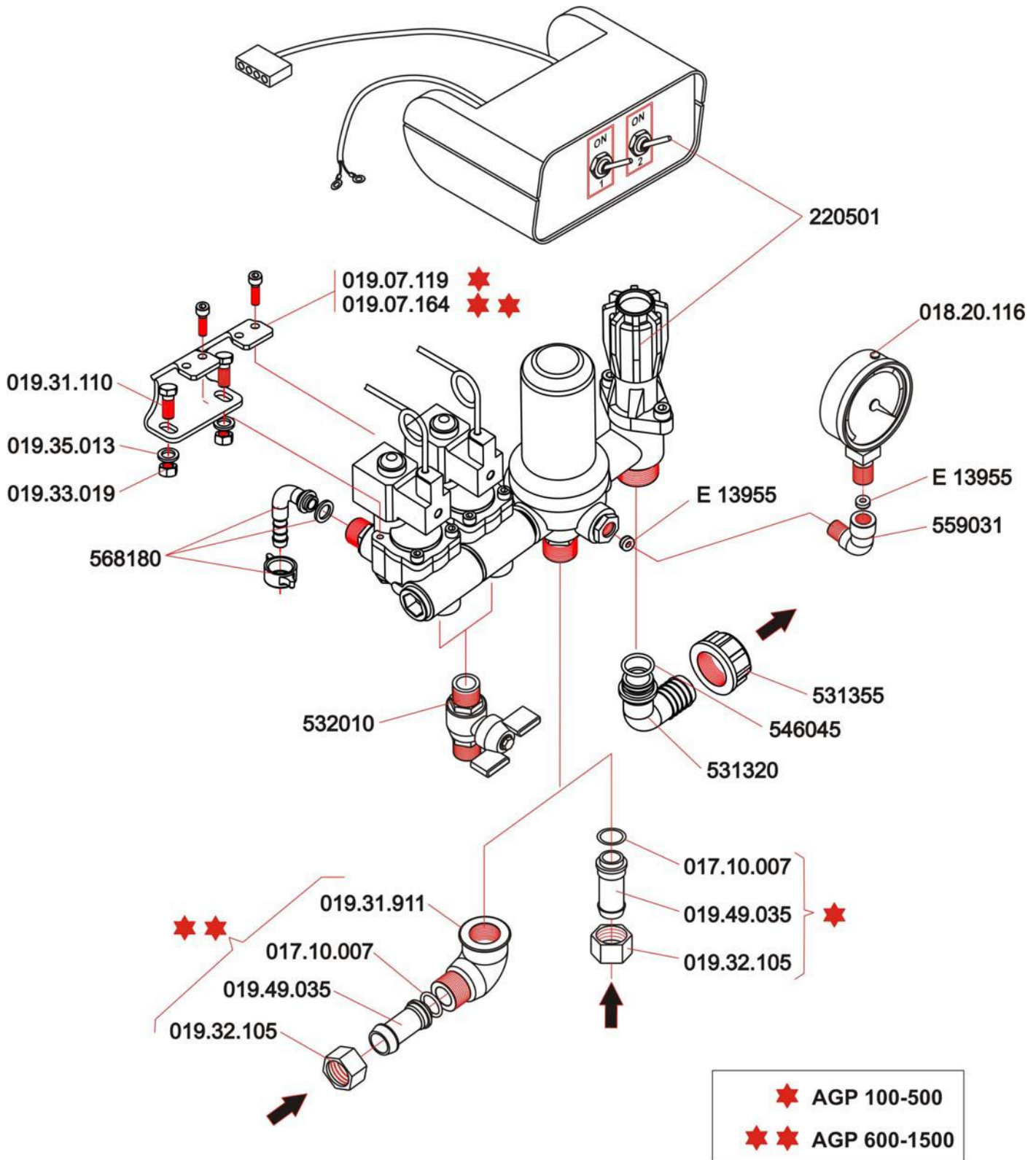
SLO	FILTER TLAČNI 50 bar- SAMOČISTILNI	ENG	SELF-CLEANING FILTER 50 bar	21.4.2009
HR	FILTAR TLAČNI 50 bar- SAMOČISTEČI	GER	SELBSTREINIGUNG DRUCKFILTER 50 bar	F 4.1.3



SLO	REGULATOR PRETOČNI PR6	ENG	CONTROL UNIT PR6	15.4.2009
HR	REGULATOR PROTOČNI PR6	GER	BEDIENUNGSARMATUR PR6	F 4.2

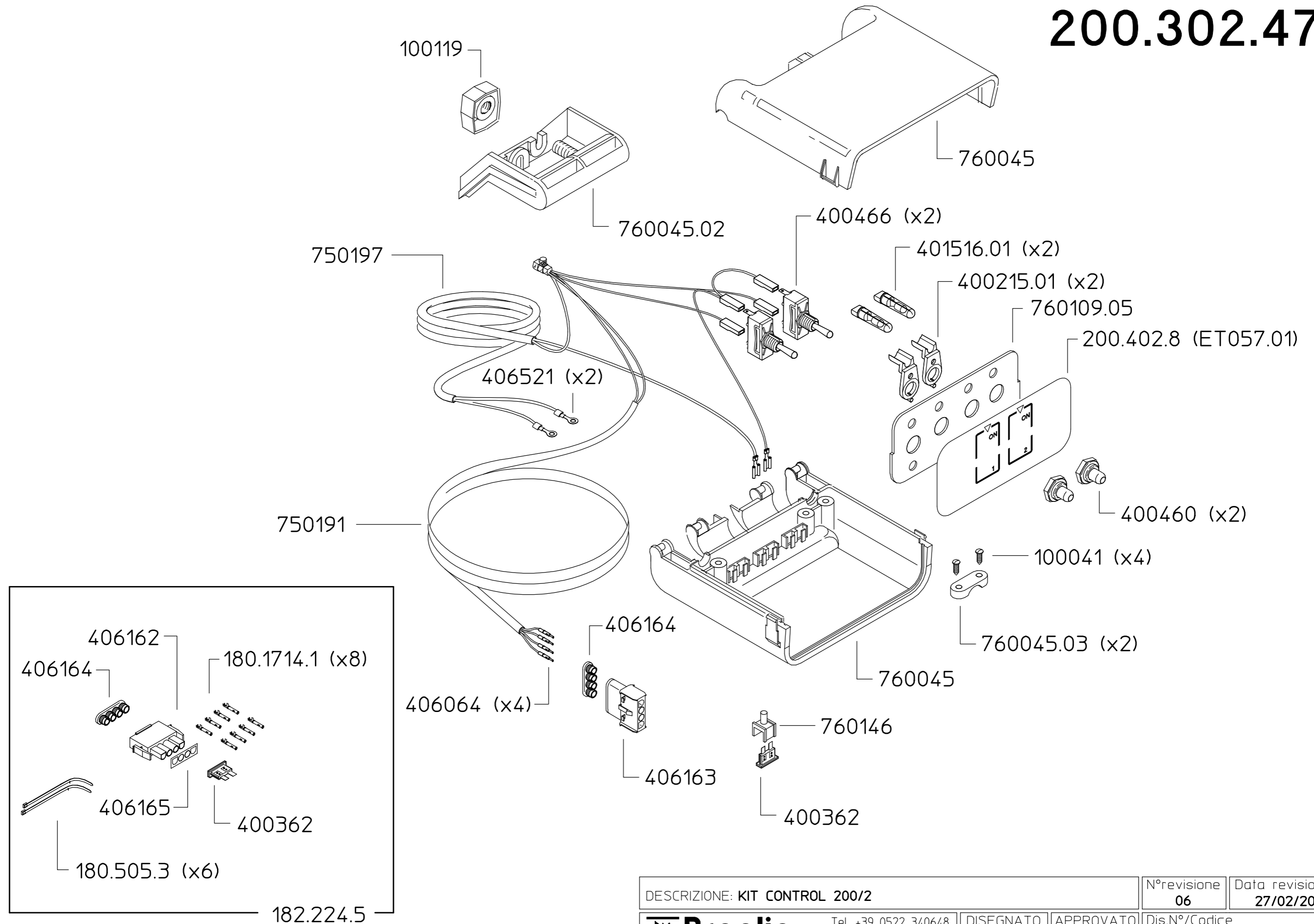


SLO	REGULATOR PRETOČNI PR6F/X+1	ENG	CONTROL UNIT PR6F/X+1	21.4.2009
HR	REGULATOR PROTOČNI PR6F/X+1	GER	DURCHFLUSSREGLER PR6F/X+1	F 4.3



SLO	REGULATOR TLAKA PR8F/2	ENG	CONTROL UNIT PR8F/2	24.3.2010
HR	REGULATOR TLAKA PR8F/2	GER	DURCHFLOSSREGLER PR8F/2	F7.1

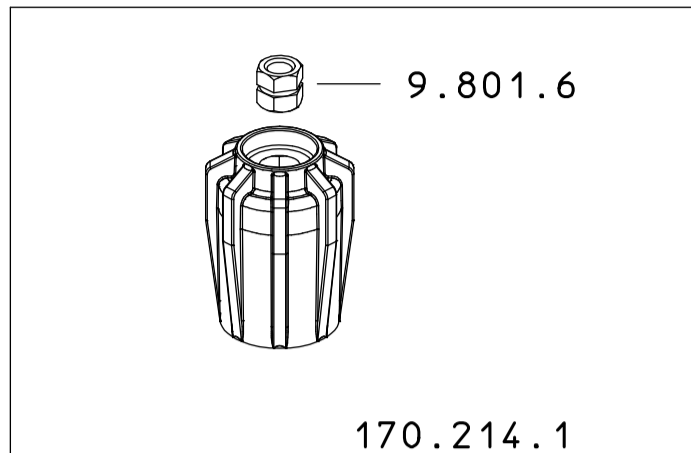
200.302.47



DESCRIZIONE: KIT CONTROL 200/2		N°revisione 06	Data revisione 27/02/2013
 Braglia SRL I-42122 REGGIO EMILIA - ITALY - UE Email tecnico@braglia.it	Tel. +39 0522 340648 Fax. +39 0522 345025	DISEGNATO G.BRAGLIA	APPROVATO G.BRAGLIA
	Dis.N°/Codice 200.302.47		

9.301.7
 LOXEAL 56.03
 Con 170.1902.16

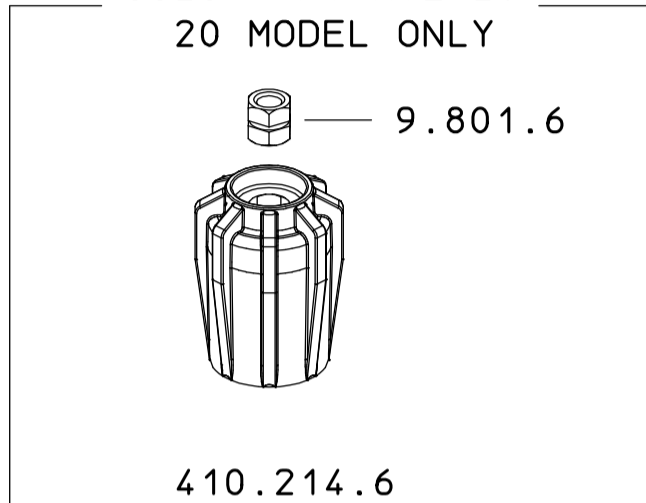
401.1510.7
401.1510.7 20



9.801.6

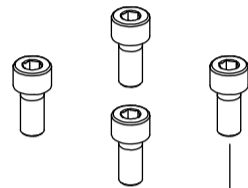
170.214.1
 NERO / BLACK

SOLO VARIANTE 20
 20 MODEL ONLY



9.801.6

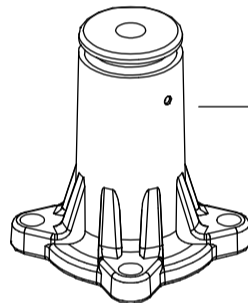
410.214.6
 ARANCIO / ORANGE



170.1902.18 x4

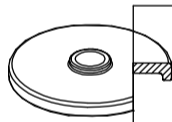


410.602.89



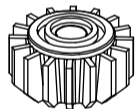
401.7.8

401.1006.7



Dettaglio verso di
 montaggio membrana

401.801.77

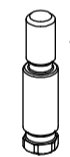


170.202.7



170.1902.17
 LOXEAL 56.03

401.620.45



170.1902.16
 LOXEAL 56.03
 Con 9.301.7



170.1608.1



401.1003.44

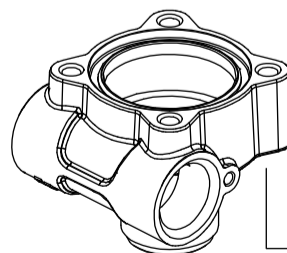
SOLO VARIANTE 20
 20 MODEL ONLY



401.1003.45



170.1603.29



401.218.16

LUBRIFICARE CON GRASSO MOLY LT2 I COMPONENTI
 SOGGETTI A SFREGAMENTO E ROTAZIONE

COME SI ORDINA / HOW TO ORDER

Kit ricambio

Spare parts kit

401.302.64

DESCRIZIONE: **REGOLATORE M401**

N°revisione
03

Data revisione
05/06/2012

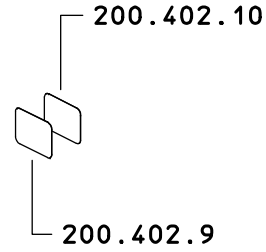
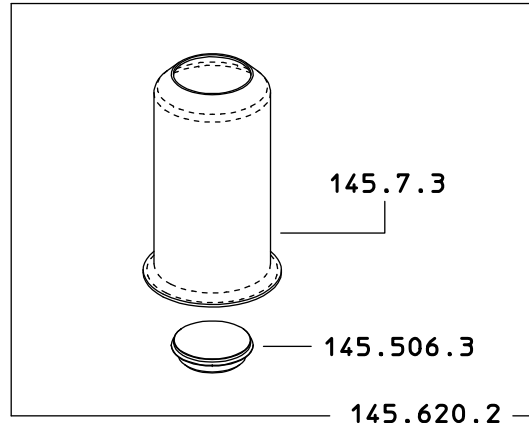
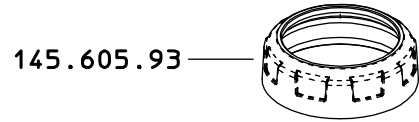
Braglia SRL
 I-42122 REGGIO EMILIA - ITALY - UE
 Tel. +39 0522 340648
 Fax. +39 0522 345025
 Email tecnico@braglia.it

DISEGNATO
M.CORRADINI

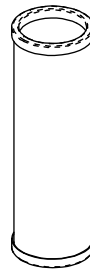
APPROVATO
G.BRAGLIA

Dis.N°/Codice
401.1510.7

145.504.4
 145.504.4 10
 145.504.4 30
 145.504.4 80



144.203.12
 PER/FOR 145.504.4 30 30 MESH



145.1703.81
 LOXEAL 56-03

144.203.11
 STANDARD 40 MESH



144.203.23
 PER/FOR 145.504.4 80 80 MESH

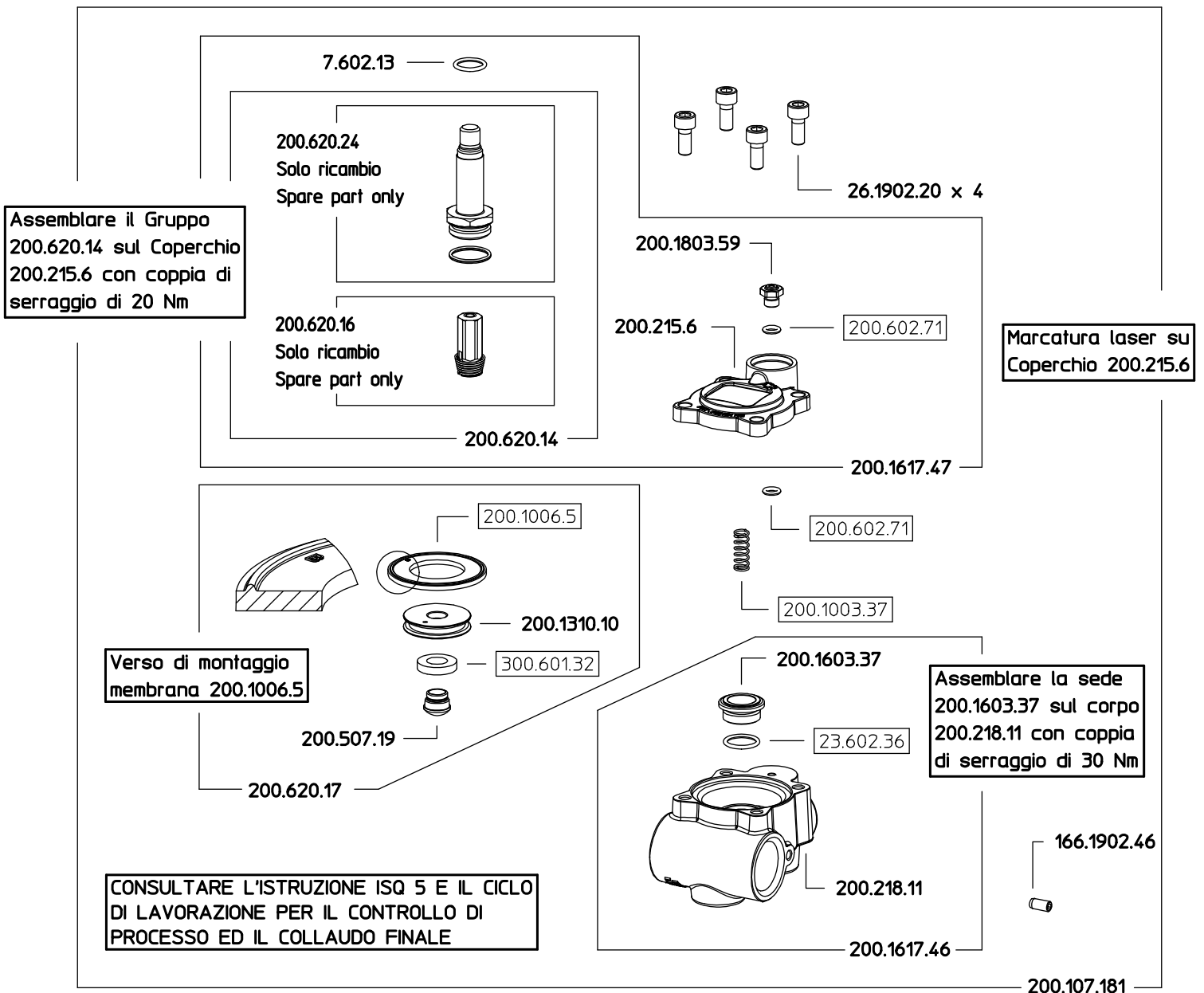
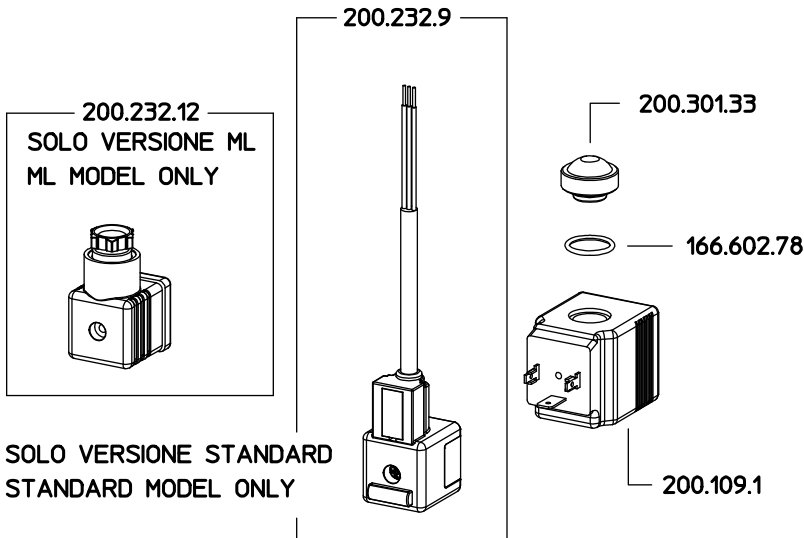
701.602.63
 701.602.63

145.225.7



DESCRIZIONE: FILTRO M145 40 MESH		N°revisione 04	Data revisione 10/07/2012
Braglia SRL Tel. +39 0522 340648 Fax. +39 0522 345025 I-42122 REGGIO EMILIA - ITALY - UE Email tecnico@braglia.it	DISEGNATO M.CORRADINI	APPROVATO G.BRAGLIA	Dis.N°/Codice 145.504.4

200.1915.1 200.1915.1 NC 200.1915.1 ML



COME SI ORDINA / HOW TO ORDER

Kit ricambio
Spare parts kit **200.302.46**

DESCRIZIONE: VALVOLA M200 27W 40BAR

Braglia SRL
I-42122 REGGIO EMILIA - ITALY - UE
Tel. +39 0522 340648
Fax. +39 0522 345025
Email tecnico@braglia.it

DISEGNATO
G.BRAGLIA

APPROVATO
G.BRAGLIA

N°revisione
10

Data revisione
16/11/2011

Dis.N°/Codice

200.1915.1

**REGULATOR TLAKA PR8ECF/2
CONTROL UNIT PR8F/2
DURCHFLUSSREGLER PR8F/2**

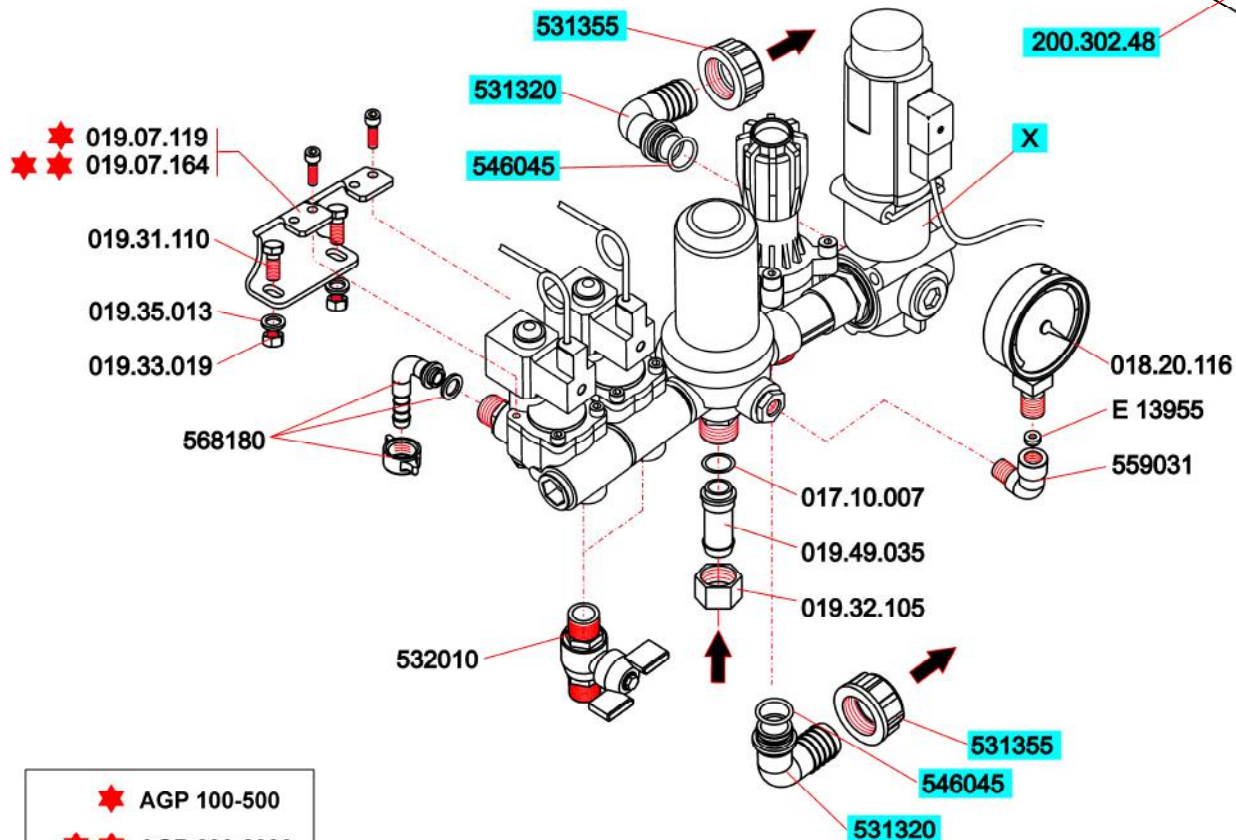
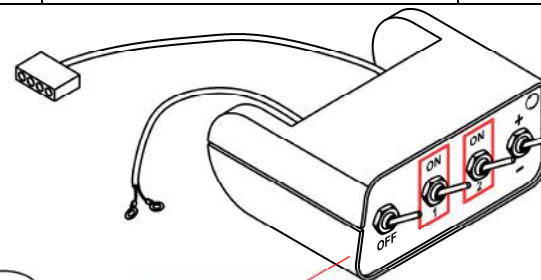
F 7.2

Rev. Date

Date → 26.4.2013

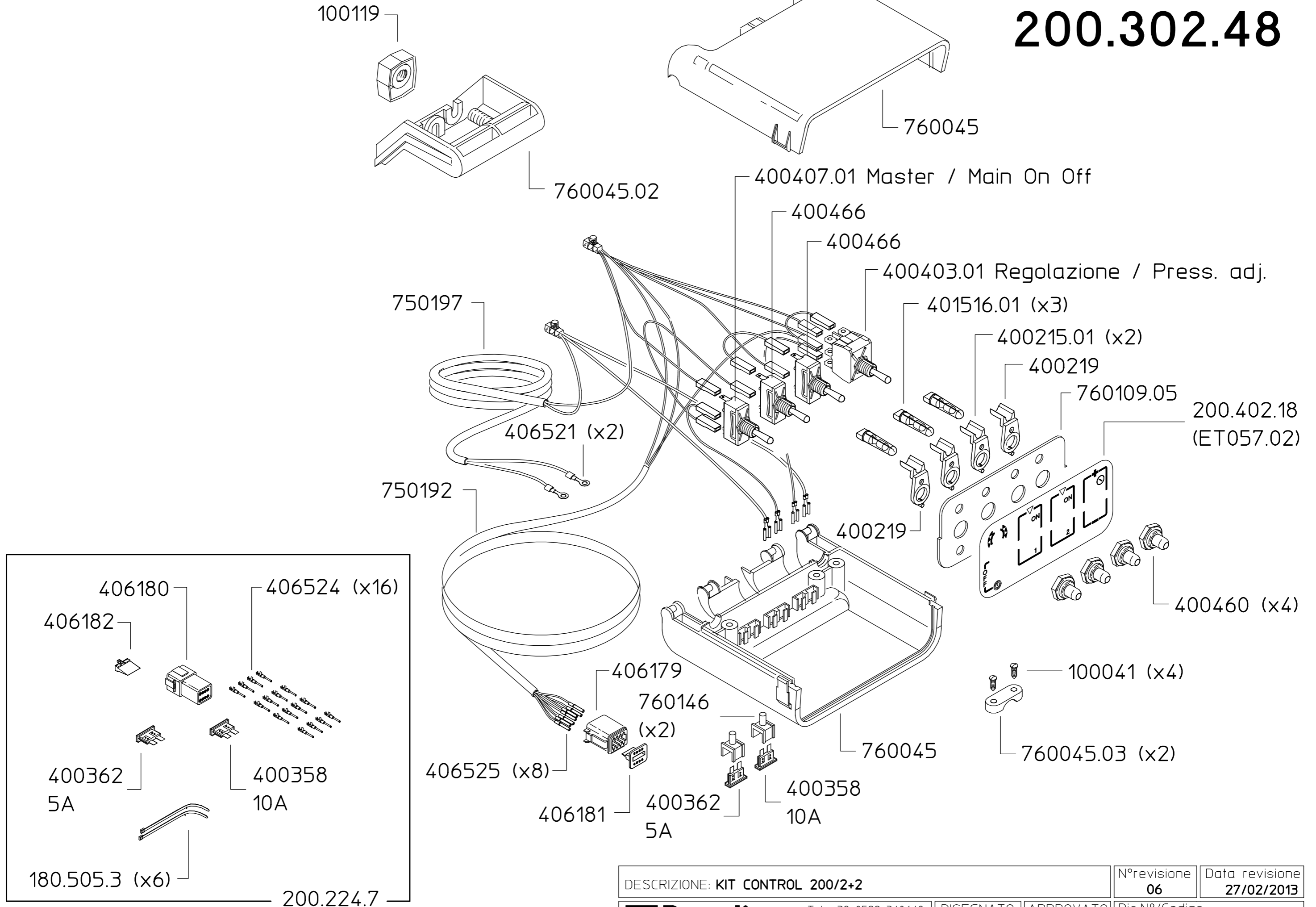
Serial No. → ← Serial No.

220511	200.302.48
	X
	531355 (2x)
	531320 (2x)
	546045 (2x)



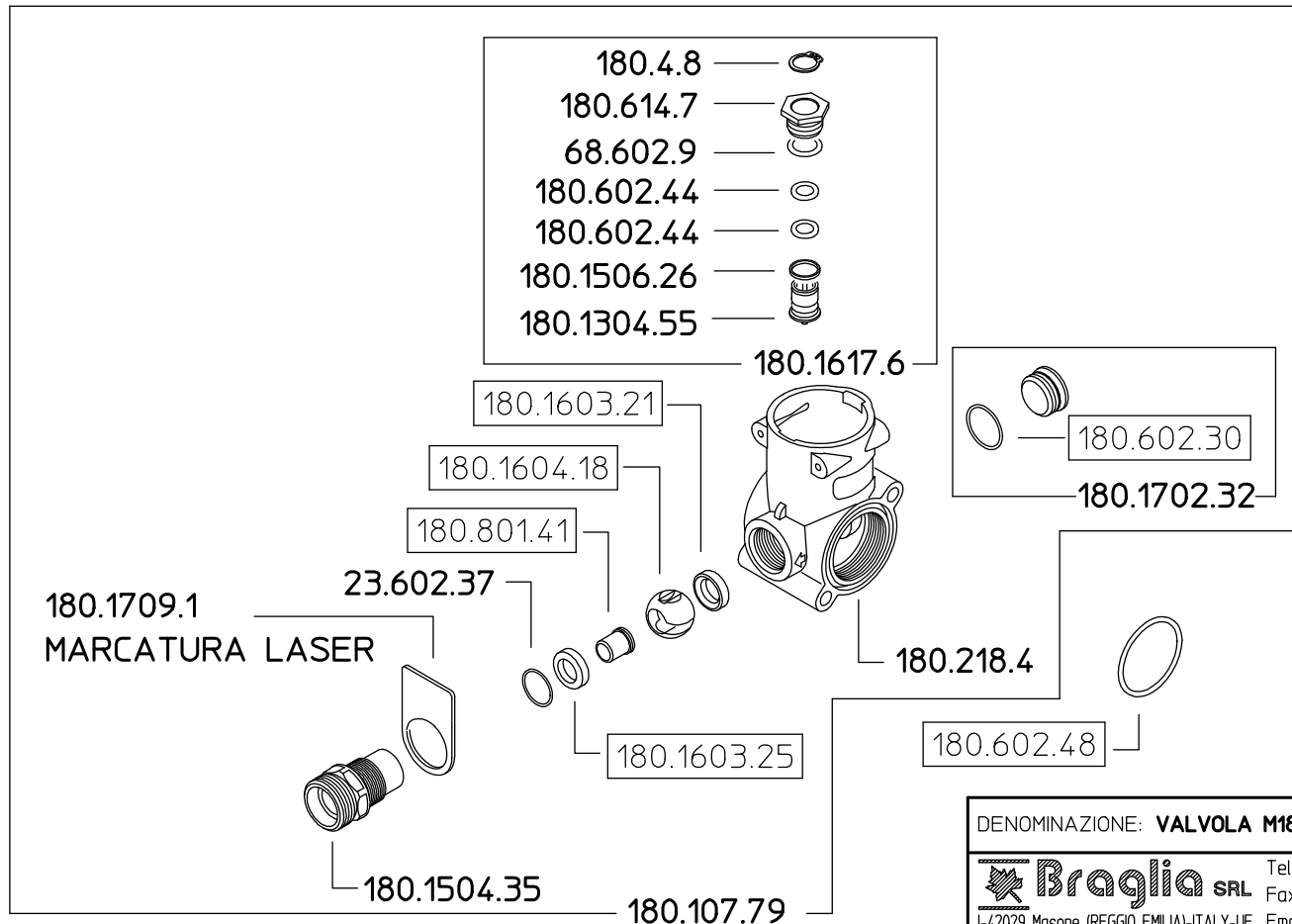
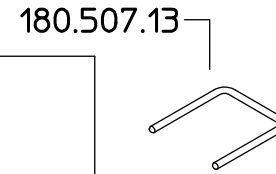
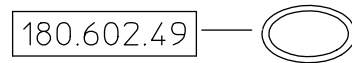
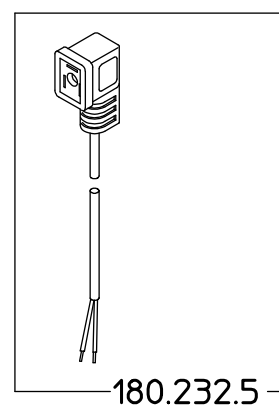
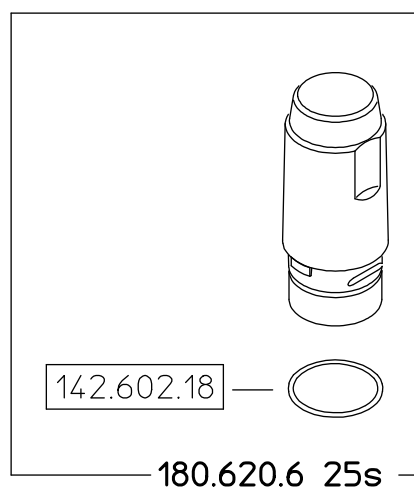
★	AGP 100-500
★★	AGP 600-2000

200.302.48




DESCRIZIONE: KIT CONTROL 200/2+2		N°revisione 06	Data revisione 27/02/2013
 Braglia SRL I-42122 REGGIO EMILIA - ITALY - UE Email tecnico@braglia.it	Tel. +39 0522 340648 Fax. +39 0522 345025	DISEGNATO G.BRAGLIA	APPROVATO G.BRAGLIA
	Dis.N°/Codice 200.302.48		


180.1910.10



Solo per kit
Only for kit




180.1009.1 x2

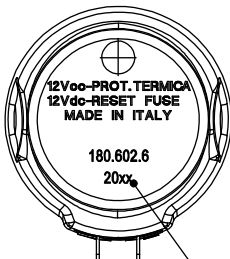
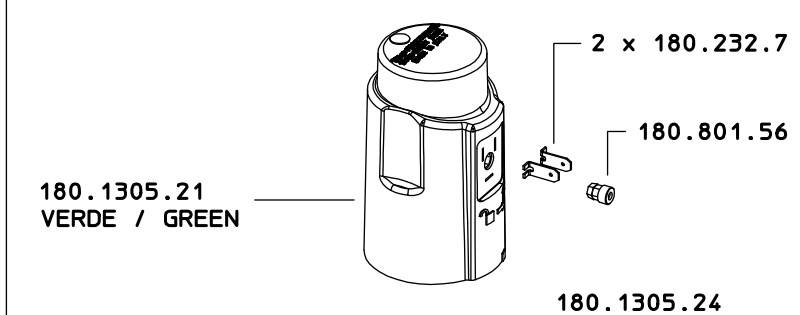


180.306.1 x2

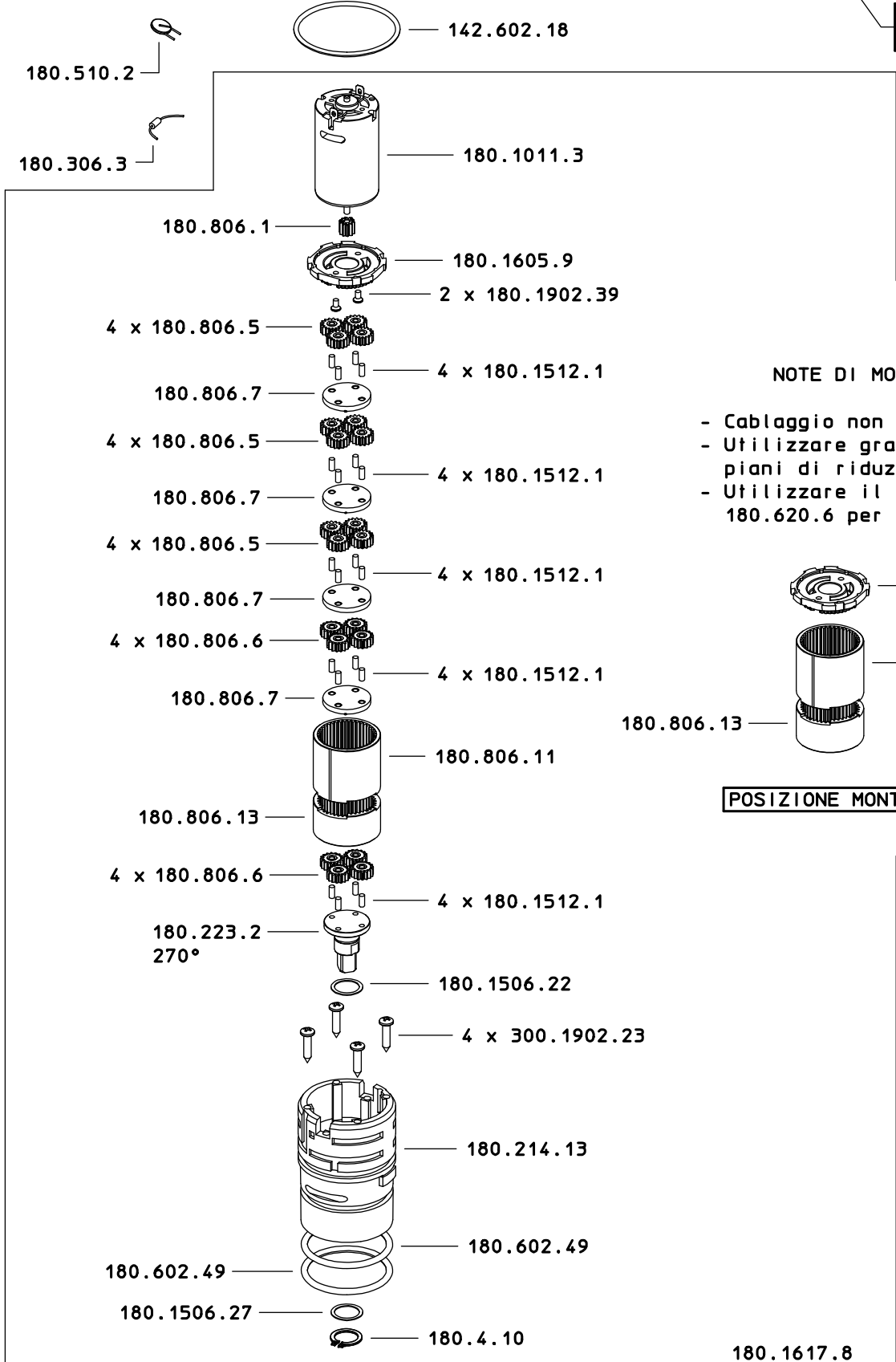
Come si ordina/How to order
Kit ricambio-Cod. **180.302.33**
Spare parts kit-C/N.

DENOMINAZIONE: VALVOLA M180 REGOLAZ. VOLUM. BP 25S		N°revisione 02	Data revisione: 07/03/11
 Braglia SRL	Tel. ++39 0522 340648 Fax. ++39 0522 345025 I-42029 Masone (REGGIO EMILIA)-ITALY-UE Email braglia@braglia.it	STE	RTE
		Dis.N°/Codice 180.1910.10	

180.620.6

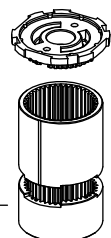


MARCATURA LASER
Scala 1:1

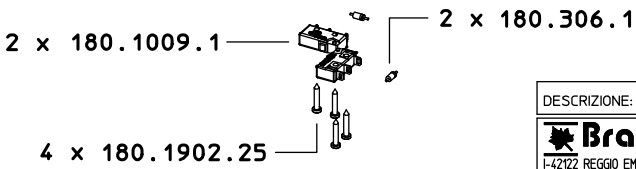


NOTE DI MONTAGGIO

- Cablaggio non rappresentato
- Utilizzare grasso LBT2 nei piani di riduzione
- Utilizzare il disegno 180.620.6 per il cablaggio



POSIZIONE MONTAGGIO CORONE

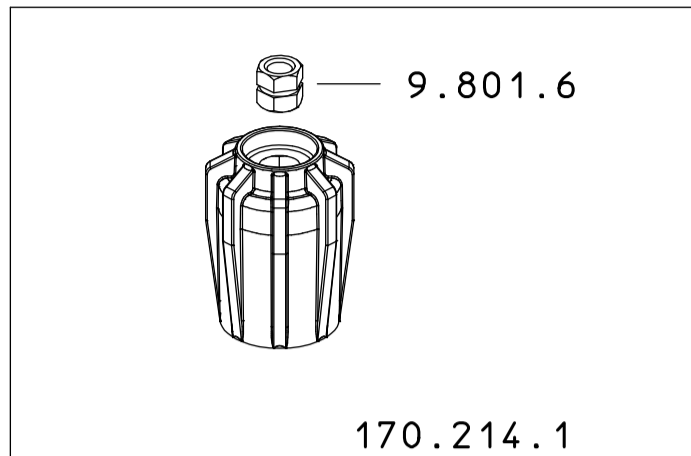


180.1617.8
1.8/270°

DESCRIZIONE: GRUPPO MOTORIDUTTORE EP35 1.8/270° VERDE		N°revisione 05	Data revisione 19/12/2011
Tel. +39 0522 340648 Fax. +39 0522 345025 I-42122 REGGIO EMILIA - ITALY - UE Email tecnico@braglia.it		DISEGNATO G.BRAGLIA	APPROVATO G.BRAGLIA
		Dis.N°/Codice 180.620.6	

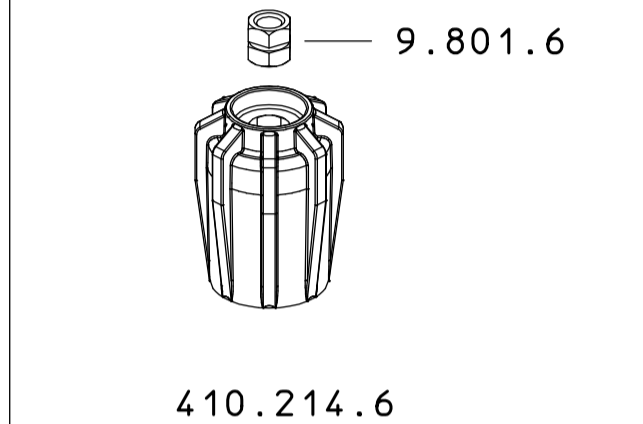
9.301.7
LOXEAL 56.03
Con 170.1902.16

401.1510.7
401.1510.7 20

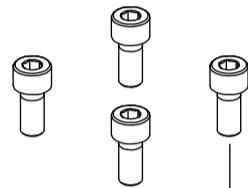


170.214.1
NERO / BLACK

SOLO VARIANTE 20
20 MODEL ONLY



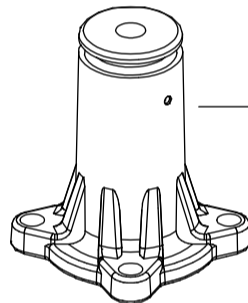
410.214.6
ARANCIO / ORANGE



170.1902.18 x4

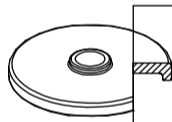


410.602.89



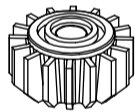
401.7.8

401.1006.7



Dettaglio verso di
montaggio membrana

401.801.77



170.202.7



170.1902.17
LOXEAL 56.03

401.620.45



170.1902.16
LOXEAL 56.03
Con 9.301.7



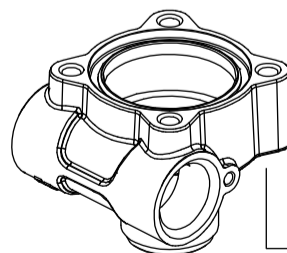
170.1608.1



401.1003.44



170.1603.29



401.218.16

SOLO VARIANTE 20
20 MODEL ONLY



401.1003.45

LUBRIFICARE CON GRASSO MOLY LT2 I COMPONENTI
SOGGETTI A SFREGAMENTO E ROTAZIONE

COME SI ORDINA / HOW TO ORDER

Kit ricambio

Spare parts kit

401.302.64

DESCRIZIONE: **REGOLATORE M401**

N°revisione
03

Data revisione
05/06/2012

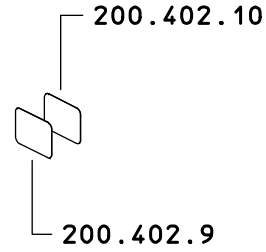
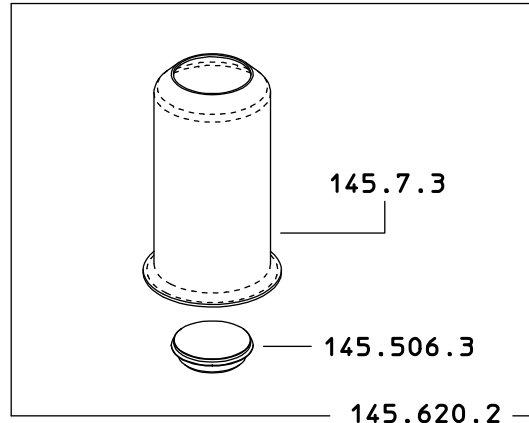
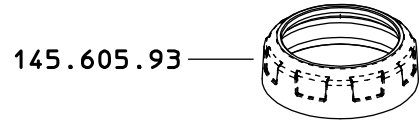
Braglia SRL
I-42122 REGGIO EMILIA - ITALY - UE
Tel. +39 0522 340648
Fax. +39 0522 345025
Email tecnico@braglia.it

DISEGNATO
M.CORRADINI

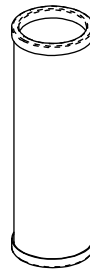
APPROVATO
G.BRAGLIA

Dis.N°/Codice
401.1510.7

145.504.4
 145.504.4 10
 145.504.4 30
 145.504.4 80



144.203.12
 PER/FOR 145.504.4 30 30 MESH



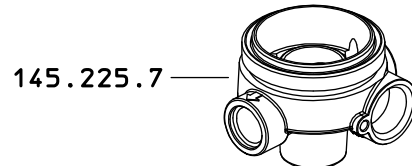
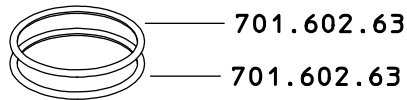
145.1703.81
 LOXEAL 56-03

144.203.11
 STANDARD 40 MESH



144.203.23
 PER/FOR 145.504.4 80 80 MESH

144.203.8
 PER/FOR 145.504.4 10 100MESH

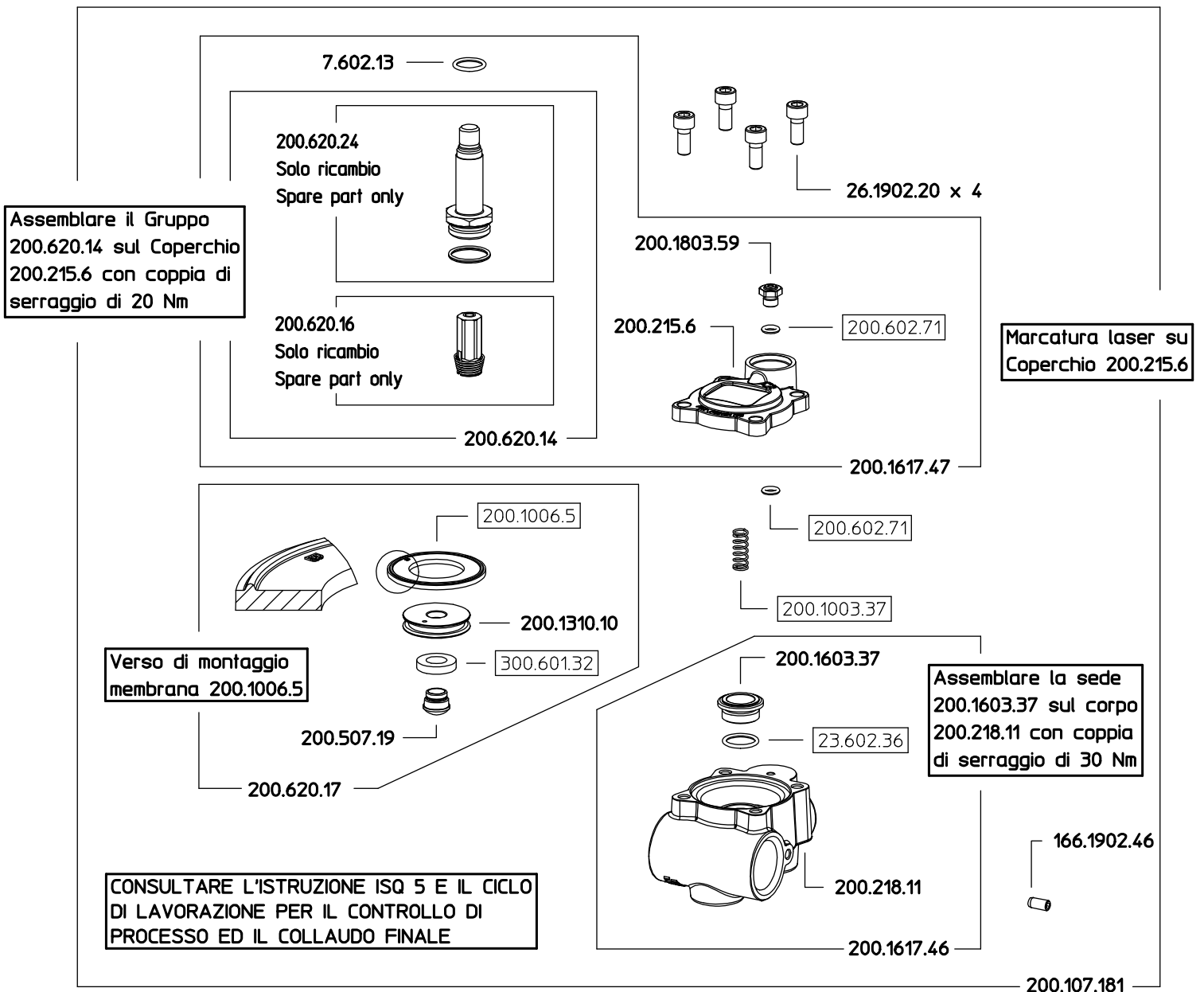
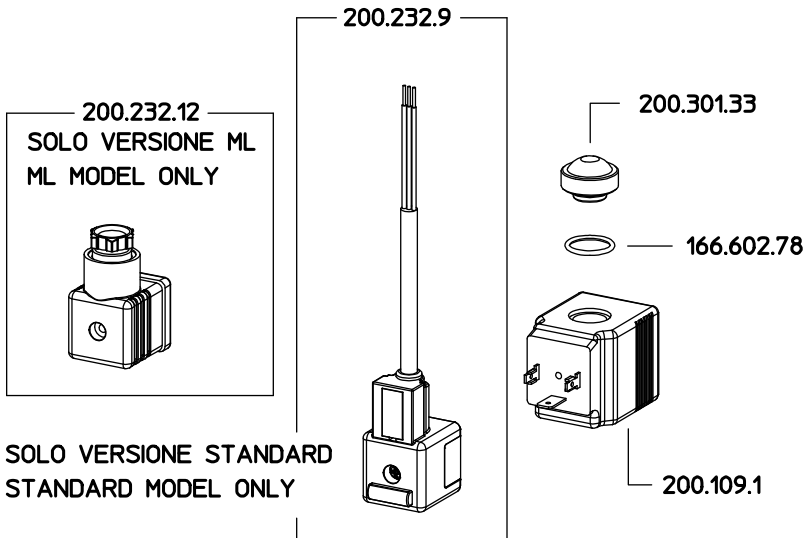


DESCRIZIONE: FILTRO M145 40 MESH		N°revisione 04	Data revisione 10/07/2012
Braglia SRL Tel. +39 0522 340648 Fax. +39 0522 345025 I-42122 REGGIO EMILIA - ITALY - UE Email tecnico@braglia.it	DISEGNATO M.CORRADINI	APPROVATO G.BRAGLIA	Dis.N°/Codice 145.504.4

200.1915.1

200.1915.1 NC

200.1915.1 ML



COME SI ORDINA / HOW TO ORDER

Kit ricambio
Spare parts kit **200.302.46**

DESCRIZIONE: VALVOLA M200 27W 40BAR

Braglia SRL
I-42122 REGGIO EMILIA - ITALY - UE
Tel. +39 0522 340648
Fax. +39 0522 345025
Email tecnico@braglia.it

DISEGNATO
G.BRAGLIA

APPROVATO
G.BRAGLIA

N°revisione
10

Data revisione
16/11/2011

Dis.N°/Codice

200.1915.1

AGS

REGULATOR TLAKA PR3CF
 REGULATOR TLAKA PR3CF
 CONTROL UNIT PR3CF
 BEDIENUNGSARMATUR PR3CF

F01.1-000

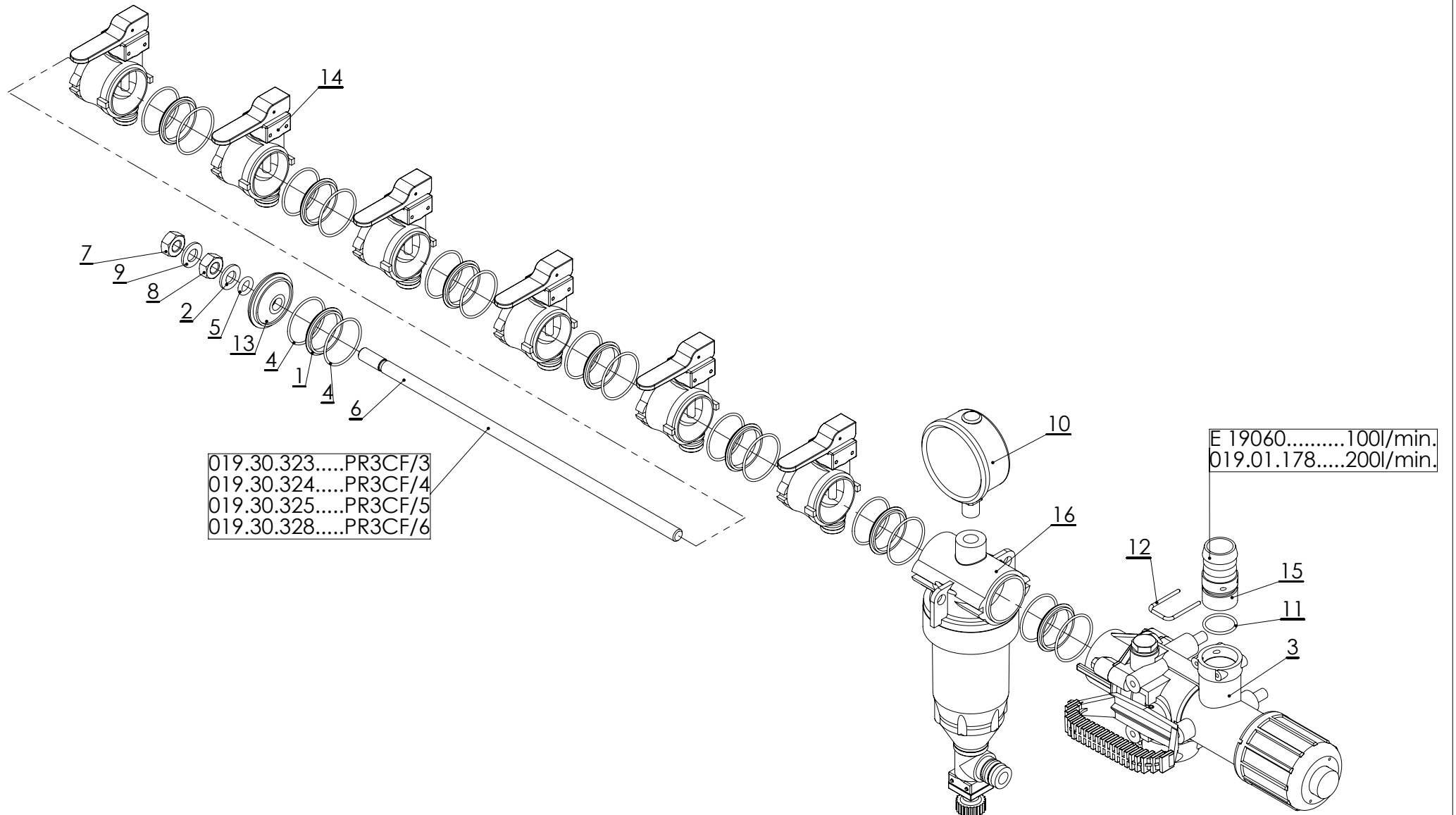
Rev.	Date
A-01	22.1.2015

Date → 2009

← Date

Serial No. → _

← Serial No.



019.30.323.....PR3CF/3
019.30.324.....PR3CF/4
019.30.325.....PR3CF/5
019.30.328.....PR3CF/6

E 19060.....100l/min.
019.01.178.....200l/min.

AGS	REGULATOR TLAKA PR3CF REGULATOR TLAKA PR3CF CONTROL UNIT PR3CF BEDIENUNGSARMATUR PR3CF	F01.1-000	Rev.	Date
			A-01	22.1.2015
		Date → 2009	← Date	
		Serial No. → _	← Serial No.	

Poz.	Kataloška št.	Naziv	Unit	QTY.
1	017.01.107	OBROČ TESNILNI fi39x4,5		8
2	017.35.001	Podložka 10,5 (Zn) DIN 125		1
3	018.20.046	VENTIL REGULACIJSKI PR3 STD		1
4	019.10.057	TESNILO "O" fi39,3xfi35,7x1,8		16
5	019.10.058	TESNILO "O" fi15xfi9x3		1
6	019.30.328	VIJAK VEZNI M10x336		1
7	019.33.002	Matica M10 (8.8 Zn) DIN 934		1
8	019.33.013	Matica M10 (A2) DIN 934		1
9	019.35.018	Podložka 10,5 (A2) DIN 125		1
10	545009	MANOMETER GLIC.fi63/0- 6-25 Z		1
11	E 13997	TESNILO "O" fi26xfi22x2		1
12	E 13998	ZATIK U Ø2,5x22		1
13	E 14013	POKROV fi 39		1
14	E 14578	VENTIL RAZVODNI		6
15	E 19060	USTNIK 100l/min.		1
16	E 32209	FILTER SAMOČISTILNI-KOMPLET		1

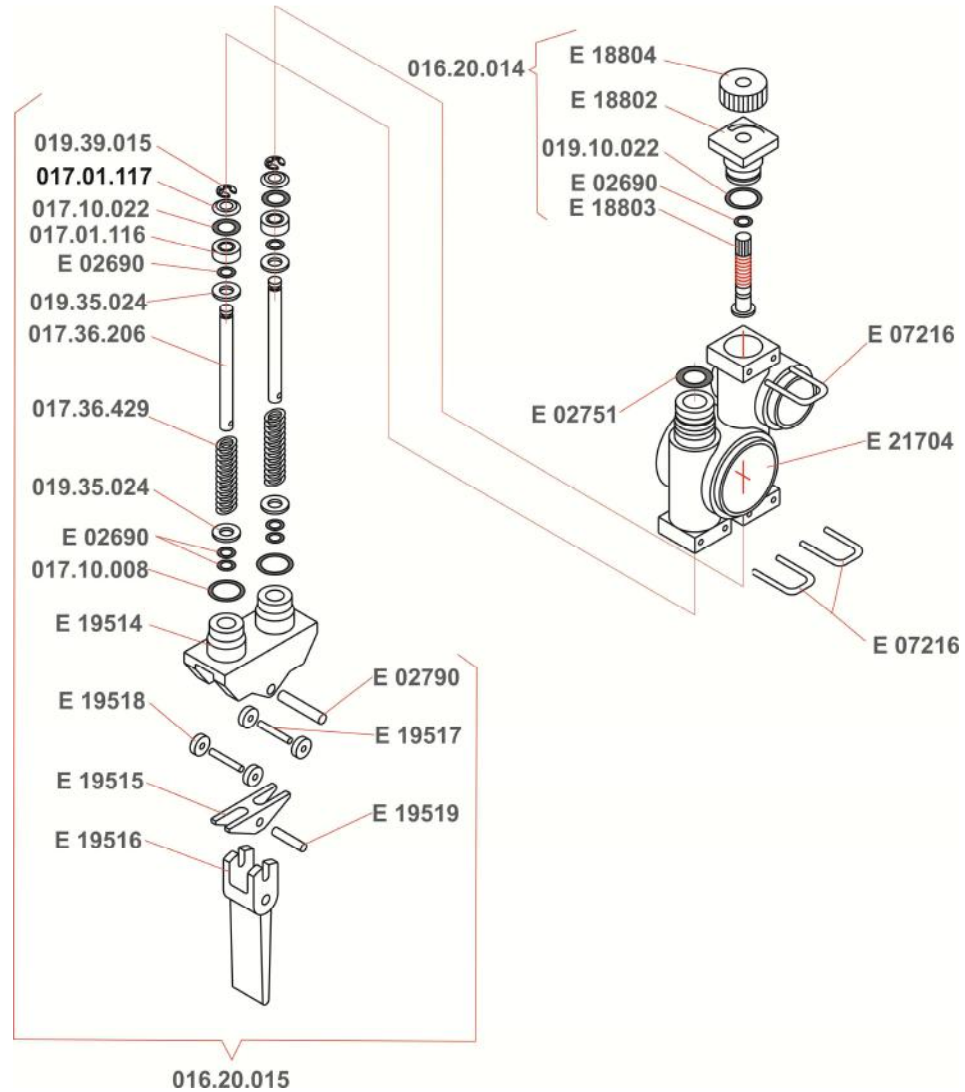
E 21920

**VENTIL RAZVODNO-REGULACIJSKI
DISTRIBUTION VALVE WITH CONSTANT PRESSURE DEVICE
VERTEILERVENTIL MIT DRUCKAUSGLEICH**

F01.1-002

Rev.	Date
	9.5.2013

Date	→	2013	←	Date
Serial No.	→		←	Serial No.

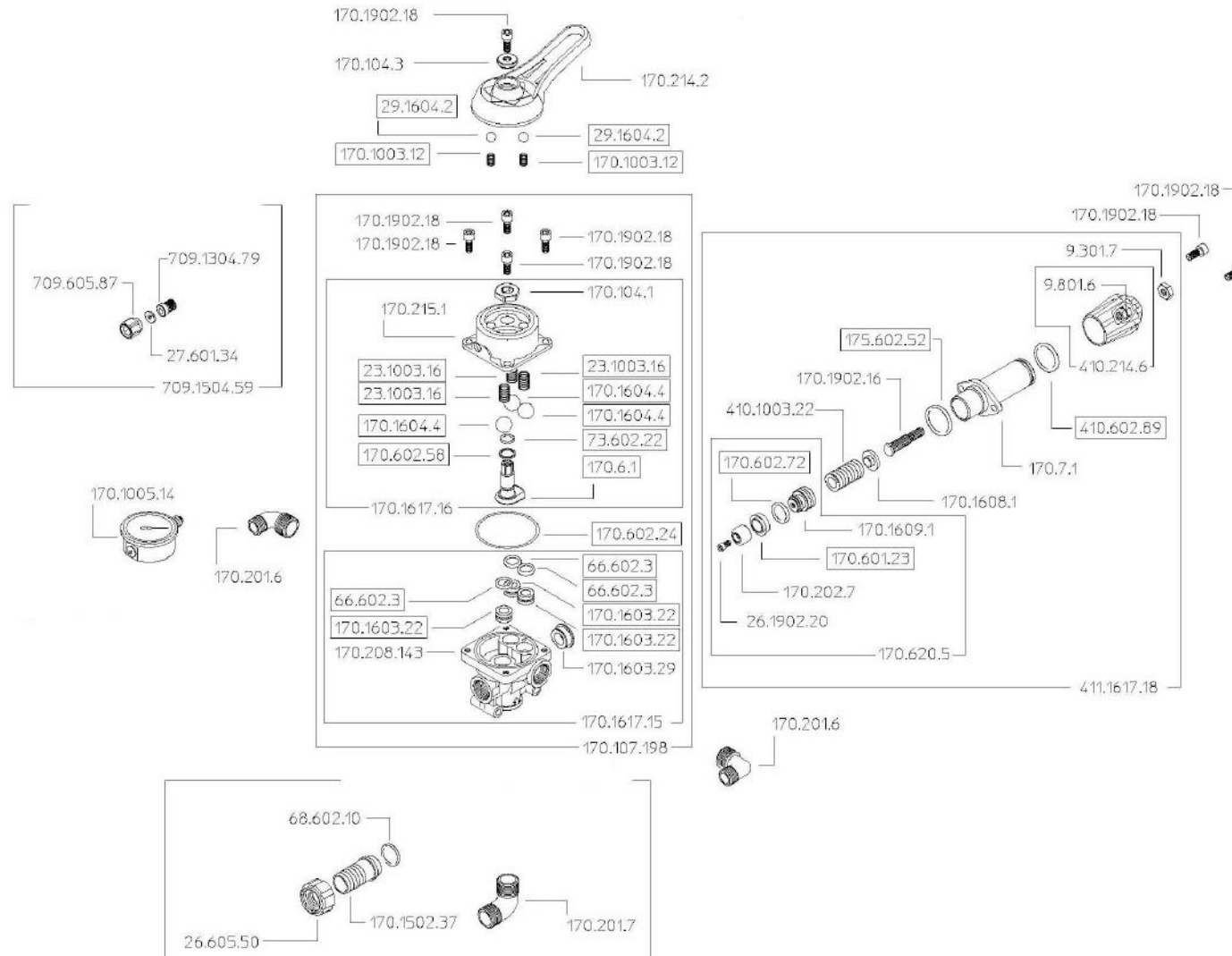


REGULATOR TLAKA M 170
CONTROL UNIT M 170
DURCHFLOSSREGLER M 170

F08.1-000

Rev.	Date
	6.6.2014

Date	→	22.4.2011	←	Date
Serial No.	→		←	Serial No.



AGS

CEV RAZDELILNA TLAČNA
RAZVOD TLAČNOG VODA
DIVIDING PRESSURE TUBE
DRUCKVERTEILER

F09.1-000

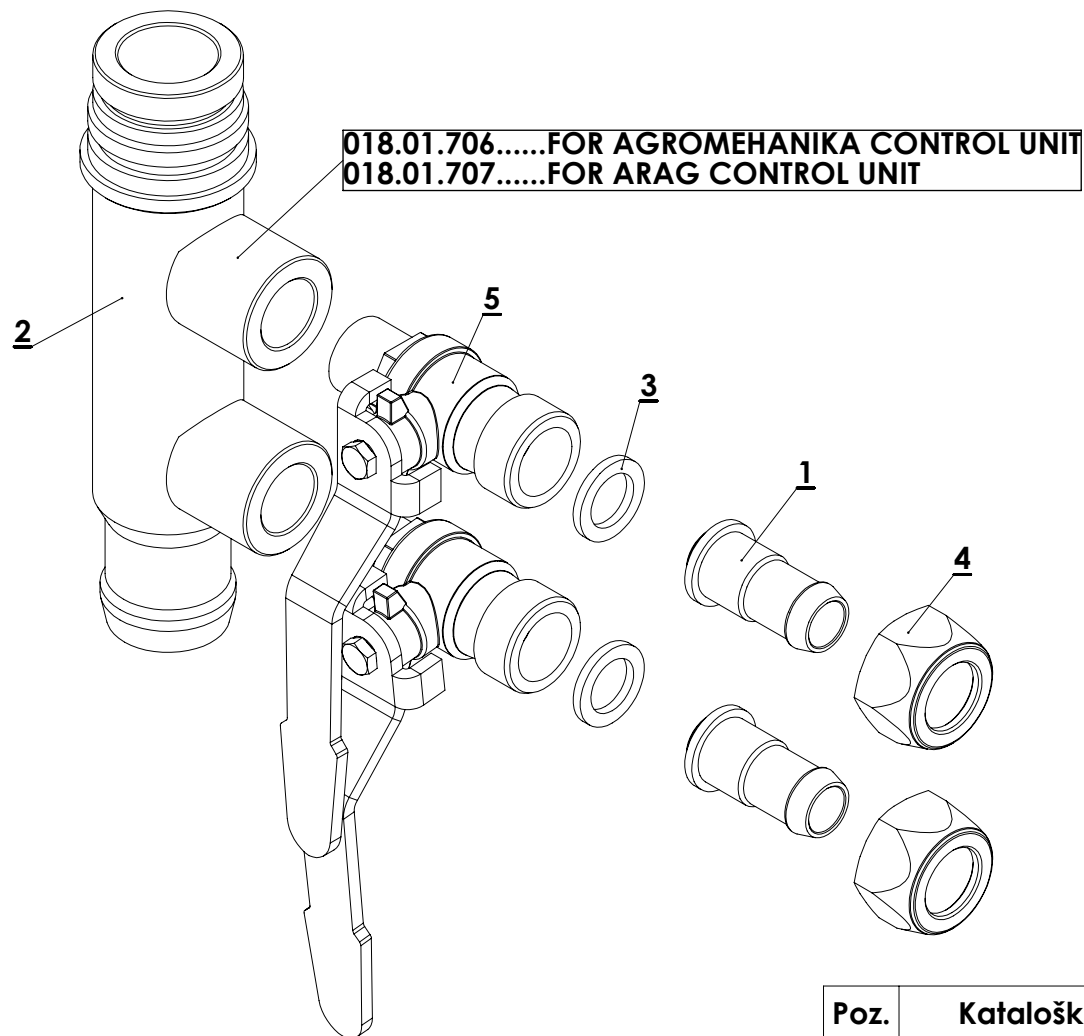
Rev.	Date
0-01	13.1.2014

Date — 2014

— Date

Serial No. —

— Serial No.



Poz.	Kataloška št.	Naziv	Unit	KATALOG
1	017.49.021	NASTAVEK fi13 (fi18)		2
2	018.01.707	CEV RAZDELILNA 25/2xG3/8"--ARAG		1
3	017.11.002	Tesnilo fi18xfi12x2 (NBR)		2
4	019.32.112	MATICA R 1/2"x15		2
5	532009.02	VENTIL KROGL.R3/8"- R1/2" MM-R		2

AGS 2500/3000 EN-HP

REGULATOR TLAKA OR01/5
REGULATOR TLAKA OR01/5
CONTROL UNIT OR01/5
BEDIENUNGSARMATUR OR01/5

F10.1-000

Rev.	Date
A-05	18.2.2015
A-06	24.2.2015

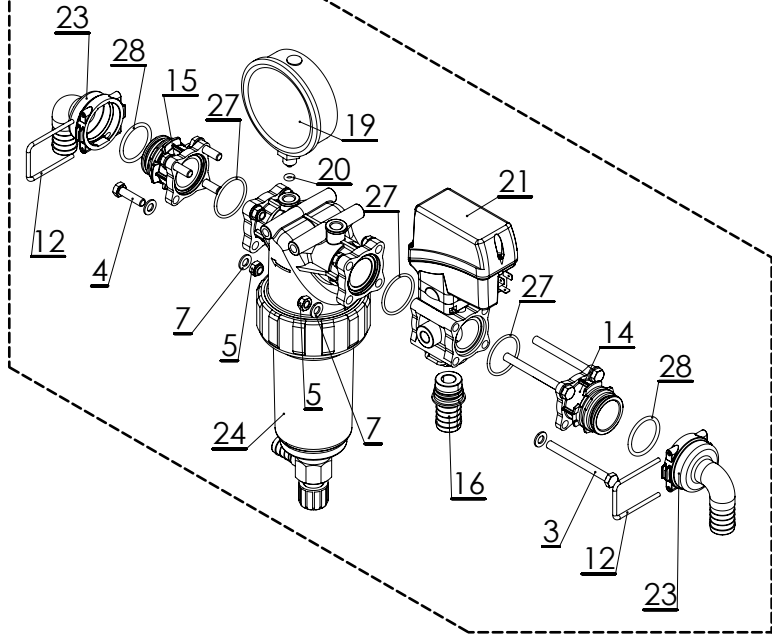
Date → 2015

← Date

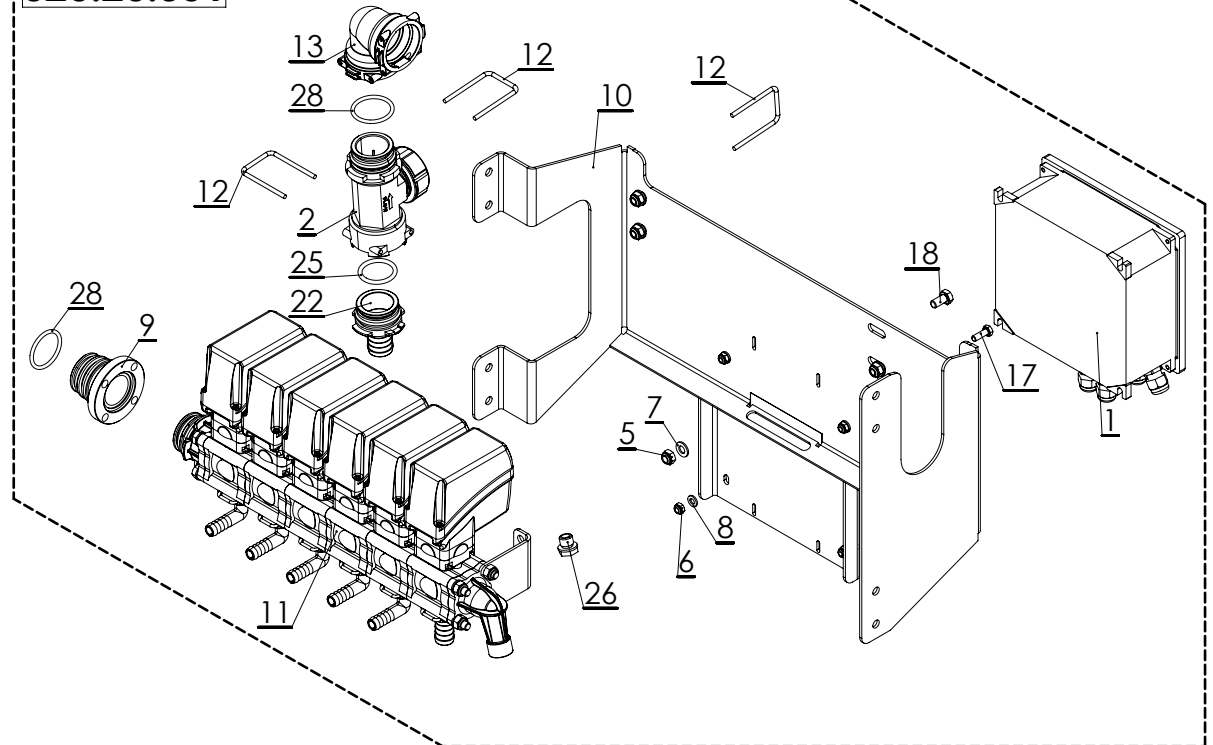
Serial No. → _

← Serial No.

020.20.350



020.20.351



AGS 2500/3000 EN-HP	REGULATOR TLAKA OR01/5 REGULATOR TLAKA OR01/5 CONTROL UNIT OR01/5 BEDIENUNGSARMATUR OR01/5	F10.1-000	Rev.	Date
			A-05	18.2.2015
			A-06	24.2.2015
Date → 2015		← Date		
Serial No. → _		← Serial No.		

Poz.	Kataloška št.	Naziv	KATALOG/QTY.
1	016.60.106	KPL.EL.ELEM.DALJ.REG.ZA AG-TRONIK	1
2	018.20.182	OHIŠJE MERILCA PRETOKA	1
3	019.31.105	Vijak M8x85 (8.8 Zn) DIN 931	4
4	019.31.125	Vijak M8x30 (8.8 Zn) DIN 933	4
5	019.33.019	Matica M8 (8.8 Zn) DIN 985	12
6	019.33.033	Matica M6 (A2) DIN 985	4
7	019.35.013	Podložka 8,4 (Zn) DIN 125	20
8	019.35.024	Podložka 6,4 (A2) DIN 125	4
9	019.49.130	PRIROBNICA T5	1
10	020.01.267	NOSILEC RAZV.-REG.VENTILOV EC-06	1
11	863CAH05	KPL.RAZV.REG.VENTILOV EM-6	1
12	010005	ZATIK U T5	5
13	129055	KOLENO T5 (90°) FF	1
14	463000.056	PRIROBNICA T5-R	1
15	463000.156	PRIROBNICA T5-L	1
16	463001.A25M	NASTAVEK A25 M	1
17	540106	Vijak M6x18 (A2) DIN 933	4
18	540217	Vijak M8x16 (A2) DIN 933	4
19	545101	MANOMETER GLIC.100/0-8-15-20	1
20	546099	TESNILO "O" fi5,00x3,00	1
21	863024S	VENTIL REGULACIJSKI 863 SIVI	1
22	1091525	NASTAVEK T5	1
23	1190525	KOLENO 25-T5F	2
24	32691135	FILTER 326-80 MESH	1
25	E 02586	TESNILO "O" fi39xfi31x4 -VITON (zelena b.)	1
26	E 15738	ČEP R 1/4"	1
27	G10071V	TESNILO "O" ZA PRIROBNICO (G10071V)	3
28	G11063V	TESNILO "O" ZA NASTAVEK T5	4

REGULATOR TL. PR9 ECFM

REGULATOR TLAKA PR9 ECFM/4EMV (020.20.353)

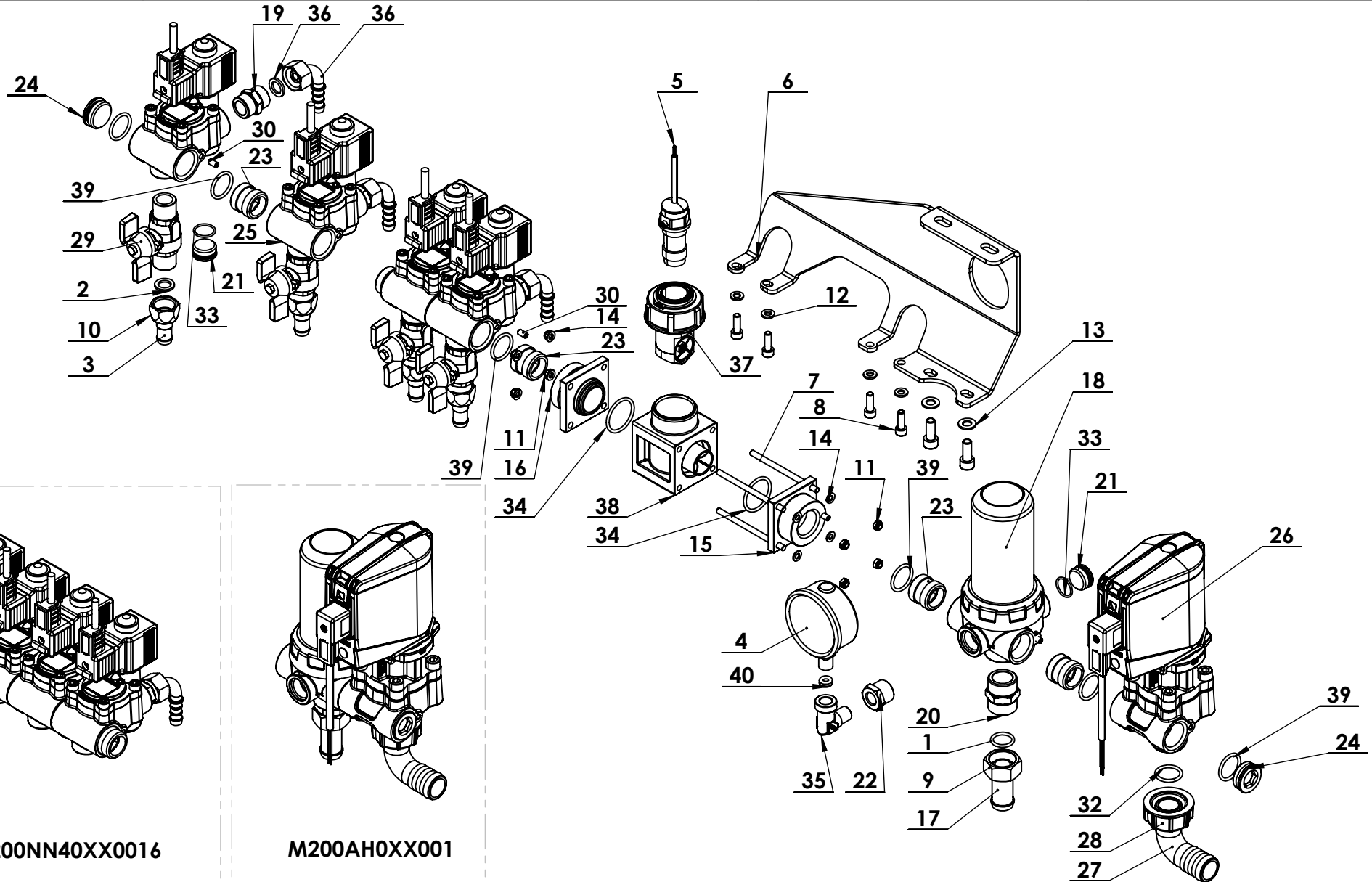
REGULATOR PRITISKA PR9 ECFM/4EMV

PRESSURE REGULATOR PR9 ECFM/4EMV

DRUCKREGLER PR9 ECFM/4EMV

Rev.	Date
0-01WC	30.3.2015

Date	Serial No.	Date	Serial No.
→	→	←	←
—	—	—	—



REGULATOR TL. PR9 ECFM	REGULATOR TLAKA PR9 ECFM/4EMV (020.20.353) REGULATOR PRITISKA PR9 ECFM/4EMV PRESSURE REGULATOR PR9 ECFM/4EMV DRUCKREGLER PR9 ECFM/4EMV	Date →	← Date
		Serial No. →	← Serial No.

Poz.	Kataloška št.	Naziv	Unit	PR9ECFM_4EMV/QTY.
1	017.10.007	TESNILO "O" fi22xfi17x2,5		1
2	017.11.002	Tesnilo fi18xfi12x2 (NBR)		4
3	017.49.021	NASTAVEK fi13 (fi18)		4
4	018.20.116	MANOMETER GLIC. fi 63/0-20-25-30		1
5	018.20.181	SENZOR PRETOKA S KABLOM		1
6	019.07.254	NOSILEC REGULATORJA TLAKA PR9		1
7	019.30.158	VIJAK VEZNI M5 x 85		4
8	019.31.008	Vijak M6x18 (8.8 Zn) DIN 912		4
9	019.32.105	MATICA R 3/4" - fi 19		1
10	019.32.112	MATICA R 1/2"x15		4
11	019.33.035	Matica M5 (A2) DIN 985		8
12	019.35.012	Podložka 6,4 (Zn) DIN 125		4
13	019.35.013	Podložka 8,4 (Zn) DIN 125		2
14	019.35.017	Podložka 5,3 (A2) DIN 125		8
15	019.41.029	PRIROBNICA DESNA PR8 ECFM		1
16	019.41.030	PRIROBNICA LEVA PR8 ECFM		1
17	019.49.035	NASTAVEK fi 19 x 45,5		1
18	145.504.4	FILTER TLAČNI PR8 ECFM BRAGLIA		1
19	166.609.5	DVOVIJAČNIK 1/2" M		4
20	166.609.6	DVOVIJAČNIK 3/4" M		1
21	167.1702.11	ČEP 1/2" M		5
22	180.1509.4	REDUCIRKA R 1/2"M - R 1/4 F		1
23	200.1101.18	DVOVIJAČNIK		6
24	200.1702.39	ČEP 3/4" M levi navoj		2
25	200.1915.1 ML	VENTIL ON/OFF 12VDC 40 BAR		4
26	202.1510.9	REGULATOR TLAKA M202 BRAGLIA		1
27	531320	KOLENO fi25-1"		1
28	531355	MATICA R 1"		1
29	532010	VENTIL KROGL.R 1/2" MM		4
30	540121	ZATIČNI VIJAK M5x10 A2 DIN 913		6
31	540222	Vijak M8x20 (8.8 Zn) DIN 912		2
32	546045	TESNILO "O" fi20,2x2,6 ARAG (G 10041)		1
33	546119	TESNILO "O" fi17,10x1,6 NBR (70 Sh)		5
34	546129	TESNILO "O" fi29,82x2,62 NBR (70 Sh)		2
35	559031	KOLENO R 1/4" MF		1

REGULATOR TL. PR9 ECFM	REGULATOR TLAKA PR9 ECFM/4EMV (020.20.353) REGULATOR PRITISKA PR9 ECFM/4EMV PRESSURE REGULATOR PR9 ECFM/4EMV DRUCKREGLER PR9 ECFM/4EMV	Date → _	← Date
		Serial No. → _	← Serial No.

Poz.	Kataloška št.	Naziv	Unit	PR9ECFM_4EMV/QTY.
36	568180	KOLENO fi 10 Z MATICO R 1/2"		4
37	41301699	AKSIALNI MERILEC PRETOKA (10-100lt)		1
38	413210132	OHIŠJE MEILCA PRETOKA		1
39	803200002	TESNILO "O" fi22,22x2,62 BERTOLINI		9
40	E 13955	TESNILO MANOMETRA		1

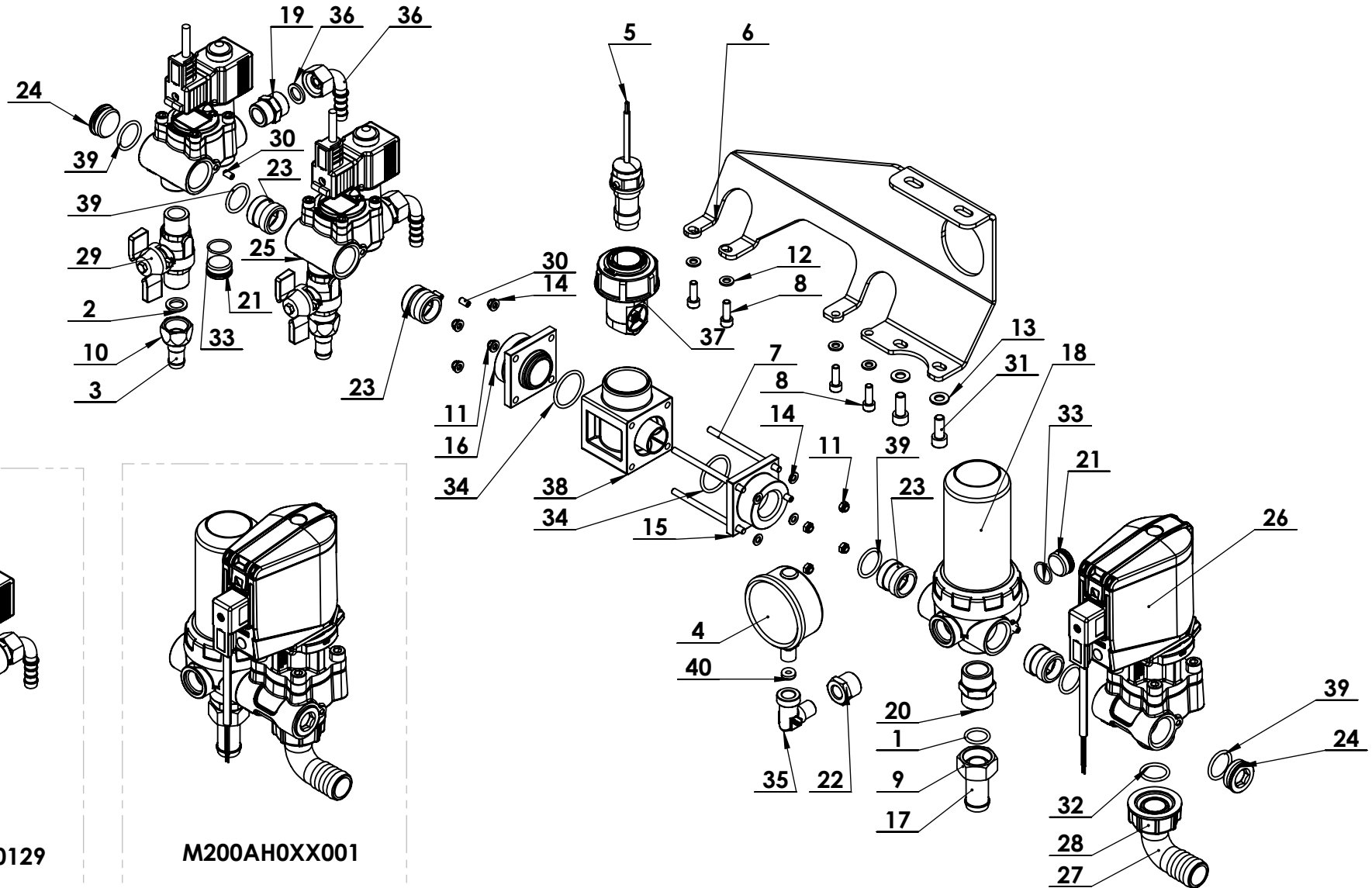
REGULATOR TL. PR9 ECFM

REGULATOR TLAKA PR9 ECFM/2EMV (020.20.354)

REGULATOR PRITISKA PR9 ECFM/2EMV
PRESSURE REGULATOR PR9 ECFM/2EMV
DRUCKREGLER PR9 ECFM/2EMV

Rev.	Date
0-01WC	30.3.2015

Date	Serial No.	Date	Serial No.
→	→	←	←
—	—	—	—



M200NN2XX0129

M200AH0XX001

REGULATOR TL. PR9 ECFM

REGULATOR TLAKA PR9 ECFM/2EMV (020.20.354)
REGULATOR PRITISKA PR9 ECFM/2EMV
PRESSURE REGULATOR PR9 ECFM/2EMV
DRUCKREGLER PR9 ECFM/2EMV

Date → _ _

← Date

Serial No. → _ _

← Serial No.

Poz.	Kataloška št.	Naziv	Unit	QTY.
1	017.10.007	TESNILO "O" fi22xfi17x2,5		1
2	017.11.002	Tesnilo fi18xfi12x2 (NBR)		2
3	017.49.021	NASTAVEK fi13 (fi18)		2
4	018.20.116	MANOMETER GLIC. fi 63/0-20-25-30		1
5	018.20.181	SENZOR PRETOKA S KABLOM		1
6	019.07.254	NOSILEC REGULATORJA TLAKA PR9		1
7	019.30.158	VIJAK VEZNI M5 x 85		4
8	019.31.008	Vijak M6x18 (8.8 Zn) DIN 912		4
9	019.32.105	MATICA R 3/4" - fi 19		1
10	019.32.112	MATICA R 1/2"x15		2
11	019.33.035	Matica M5 (A2) DIN 985		8
12	019.35.012	Podložka 6,4 (Zn) DIN 125		4
13	019.35.013	Podložka 8,4 (Zn) DIN 125		2
14	019.35.017	Podložka 5,3 (A2) DIN 125		8
15	019.41.029	PRIROBNICA DESNA PR8 ECFM		1
16	019.41.030	PRIROBNICA LEVA PR8 ECFM		1
17	019.49.035	NASTAVEK fi 19 x 45,5		1
18	145.504.4	FILTER TLAČNI PR8 ECFM BRAGLIA		1
19	166.609.5	DVOVIJAČNIK 1/2" M		2
20	166.609.6	DVOVIJAČNIK 3/4" M		1
21	167.1702.11	ČEP 1/2" M		3
22	180.1509.4	REDUCIRKA R 1/2"M - R 1/4 F		1
23	200.1101.18	DVOVIJAČNIK		4
24	200.1702.39	ČEP 3/4" M levi navoj		2
25	200.1915.1 ML	VENTIL ON/OFF 12VDC 40 BAR		2
26	202.1510.9	REGULATOR TLAKA M202 BRAGLIA		1
27	531320	KOLENO fi25-1"		1
28	531355	MATICA R 1"		1
29	532010	VENTIL KROGL.R 1/2" MM		2
30	540121	ZATIČNI VIJAK M5x10 A2 DIN 913		5
31	540222	Vijak M8x20 (8.8 Zn) DIN 912		2
32	546045	TESNILO "O" fi20,2x2,6 ARAG (G 10041)		1
33	546119	TESNILO "O" fi17,10x1,6 NBR (70 Sh)		3
34	546129	TESNILO "O" fi29,82x2,62 NBR (70 Sh)		2
35	559031	KOLENO R 1/4" MF		1

REGULATOR TL. PR9 ECFM	REGULATOR TLAKA PR9 ECFM/2EMV (020.20.354) REGULATOR PRITISKA PR9 ECFM/2EMV PRESSURE REGULATOR PR9 ECFM/2EMV DRUCKREGLER PR9 ECFM/2EMV	Date → _ _	← Date
		Serial No. → _ _	← Serial No.

Poz.	Kataloška št.	Naziv	Unit	QTY.
36	568180	KOLENO fi 10 Z MATICO R 1/2"		2
37	41301699	AKSIJALNI MERILEC PRETOKA (10-100lt)		1
38	413210132	OHIŠJE MEILCA PRETOKA		1
39	803200002	TESNILO "O" fi22,22x2,62 BERTOLINI		7
40	E 13955	TESNILO MANOMETRA		1

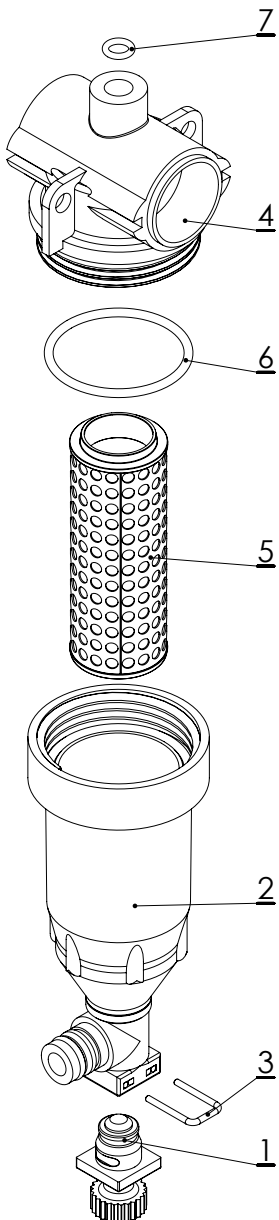
AGS

FILTER TLAČNI SAMOČISTILNI PR3
FILTER TLAČNI SAMOČISTEČI PR3
SELF-CLEANING FILTER PR3
SALBSTREINIGENDES FILTER PR3

F12.1.000

Rev.	Date
A-01	6.5.2015
A-02	6.5.2015

Date	→	←	Date
Serial No.	→	←	Serial No.



Poz.	Kataloška št.	Naziv	QTY.
1	016.20.014	VENTIL POVRATNI DUŠILNI	1
2	016.20.027	POKROV FILTRA Z NASTAVKOM	1
3	E 07216	ZATIK U 2,5x16	1
4	E 14020	TELO FILTRA	1
5	E 14021	VLOŽEK FILTRA 45/1	1
6	E 31009	TESNILO "O" fi59xfi52x3,5	1
7	E 51852	TESNILO "O" fi13xfi8x2,5 TINEX	1

**REGULATOR TLAKA PR8 ECF/2EMV
CONTROL UNIT PR8 ECF/2EMV
DURCHFLOSSREGLER PR8 ECF/2EMV**

F 07.2-001

Rev.

Date

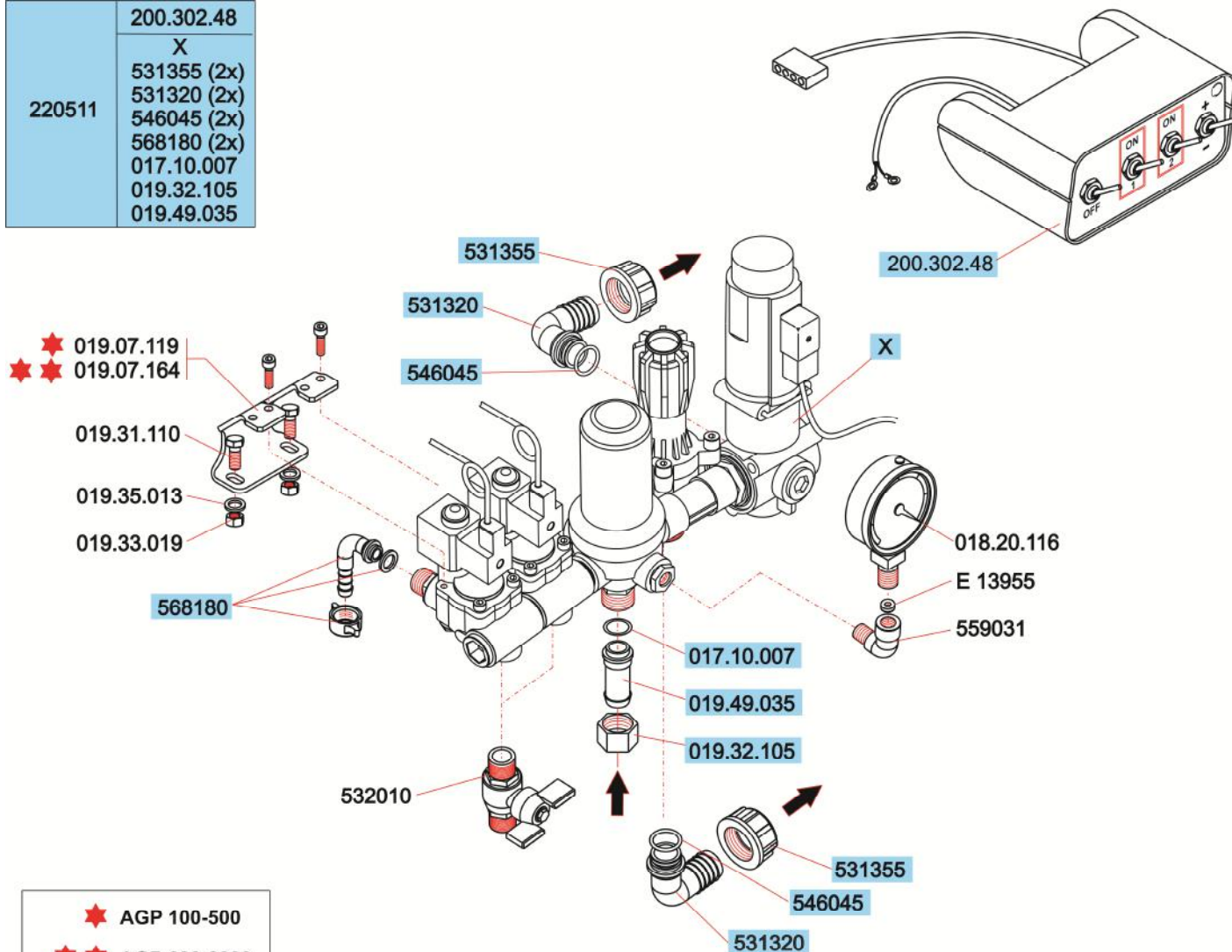
3.3.2014

Date → 3.2.2014

Serial No. →

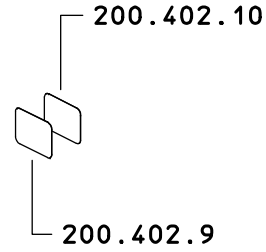
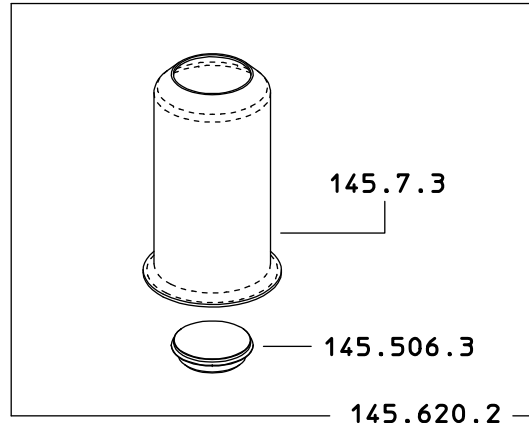
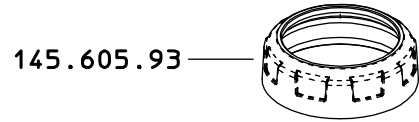
← Serial No.

220511	200.302.48
	X
	531355 (2x)
	531320 (2x)
	546045 (2x)
	568180 (2x)
	017.10.007
019.32.105	
019.49.035	

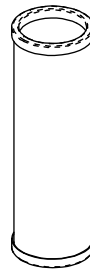


★ AGP 100-500
★★ AGP 600-2000

145.504.4
 145.504.4 10
 145.504.4 30
 145.504.4 80



144.203.12
 PER/FOR 145.504.4 30 30 MESH



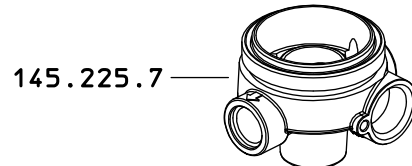
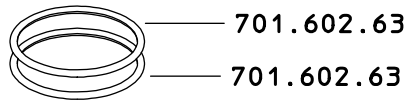
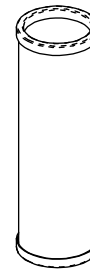
145.1703.81
 LOXEAL 56-03

144.203.11
 STANDARD 40 MESH



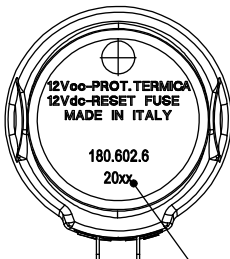
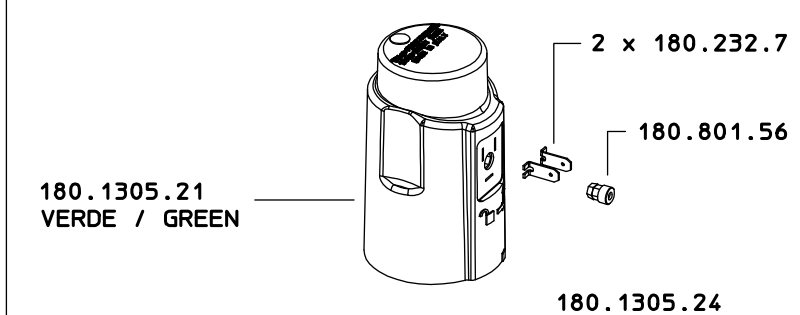
144.203.23
 PER/FOR 145.504.4 80 80 MESH

144.203.8
 PER/FOR 145.504.4 10 100MESH

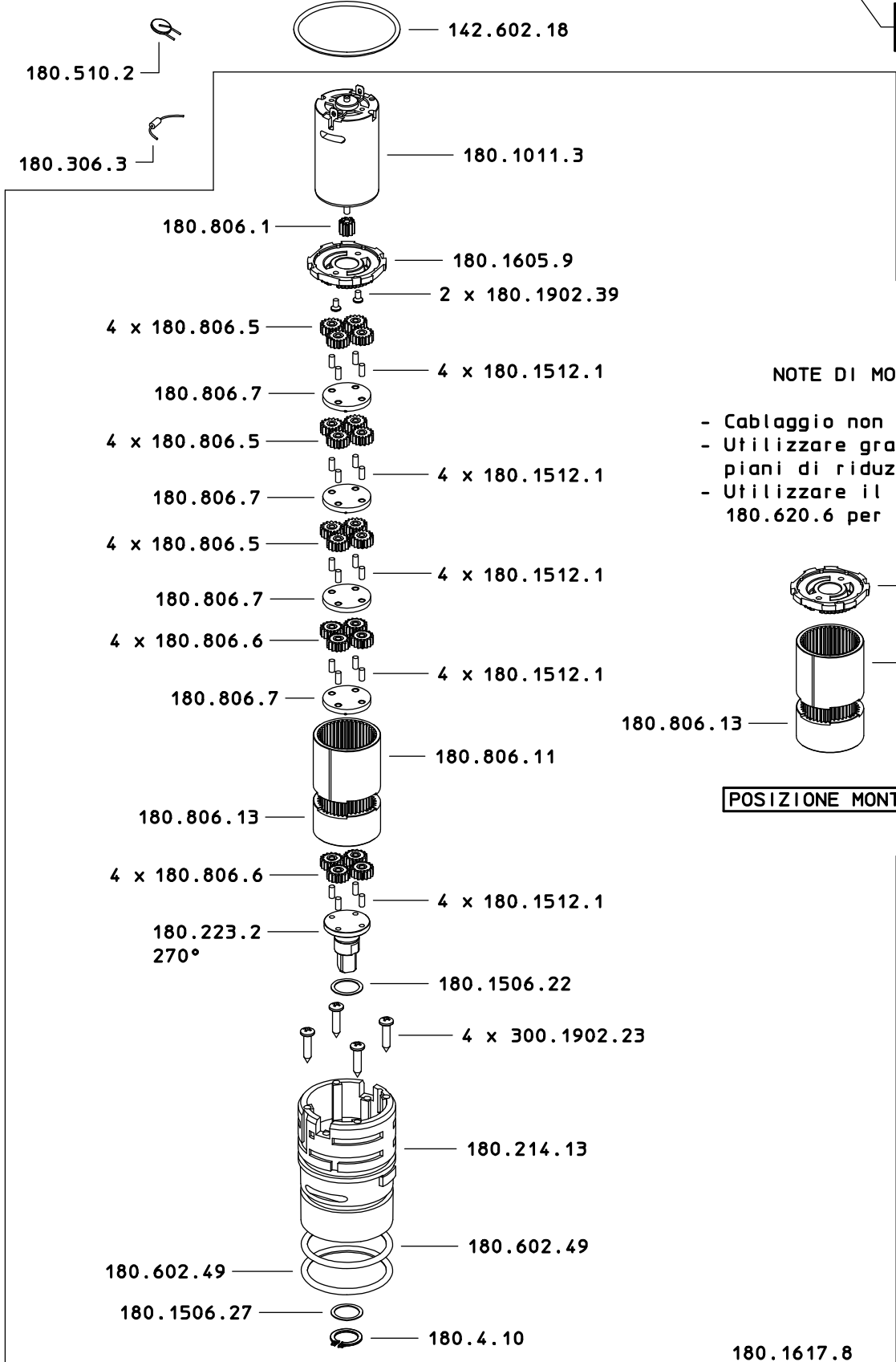


DESCRIZIONE: FILTRO M145 40 MESH		N°revisione 04	Data revisione 10/07/2012
Braglia SRL Tel. +39 0522 340648 Fax. +39 0522 345025 I-42122 REGGIO EMILIA - ITALY - UE Email tecnico@braglia.it	DISEGNATO M.CORRADINI	APPROVATO G.BRAGLIA	Dis.N°/Codice 145.504.4

180.620.6

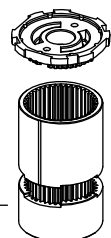


MARCATURA LASER
Scala 1:1



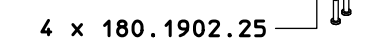
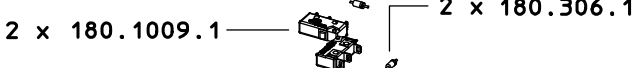
NOTE DI MONTAGGIO

- Cablaggio non rappresentato
- Utilizzare grasso LBT2 nei piani di riduzione
- Utilizzare il disegno 180.620.6 per il cablaggio



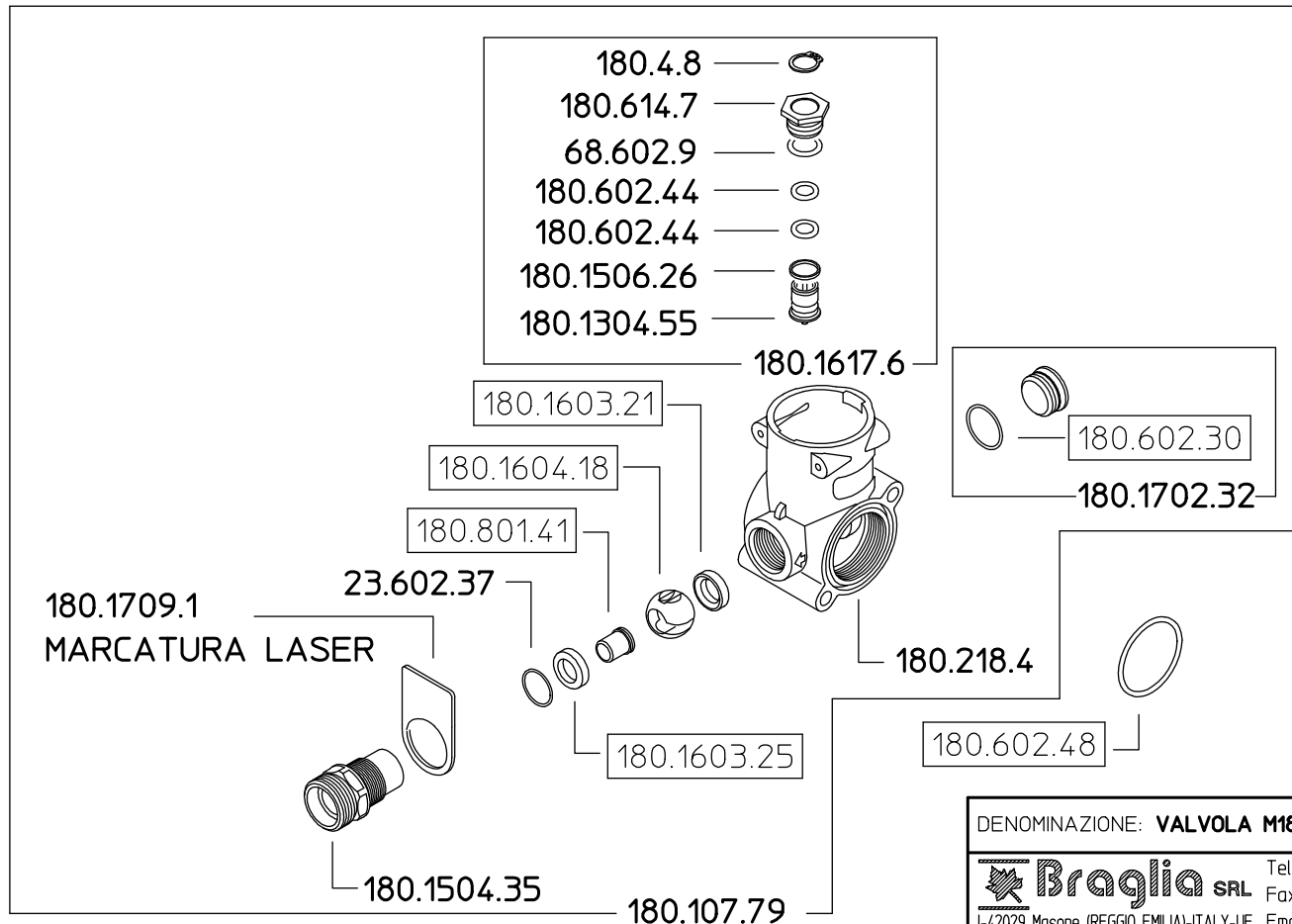
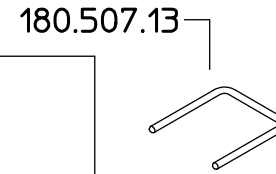
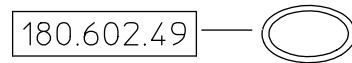
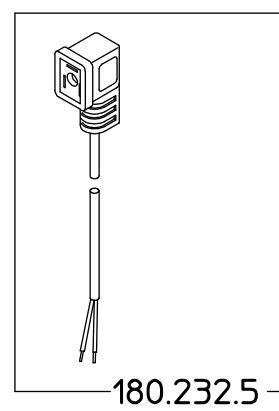
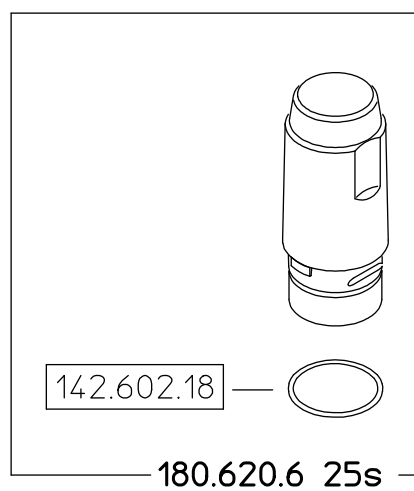
POSIZIONE MONTAGGIO CORONE

180.1617.8
1.8/270°




DESCRIZIONE: GRUPPO MOTORIDUTTORE EP35 1.8/270° VERDE		N°revisione 05	Data revisione 19/12/2011
Braglia SRL Tel. +39 0522 340648 Fax. +39 0522 345025 I-42122 REGGIO EMILIA - ITALY - UE Email tecnico@braglia.it	DISEGNATO G.BRAGLIA	APPROVATO G.BRAGLIA	Dis.N°/Codice 180.620.6


180.1910.10



Solo per kit
Only for kit




180.1009.1 x2

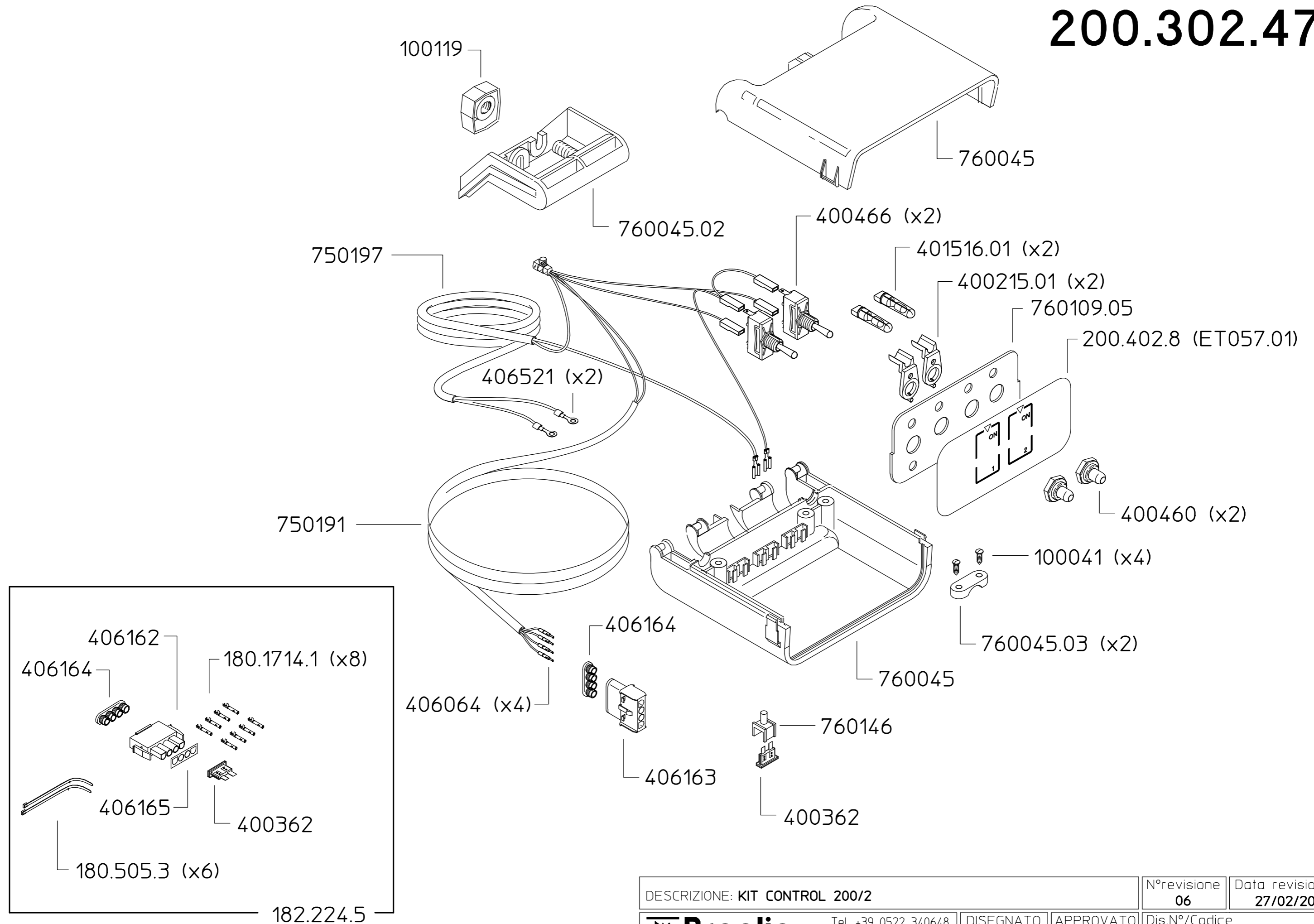


180.306.1 x2

Come si ordina/How to order
Kit ricambio-Cod. **180.302.33**
Spare parts kit-C/N.

DENOMINAZIONE: VALVOLA M180 REGOLAZ. VOLUM. BP 25S		N°revisione 02	Data revisione: 07/03/11
 Braglia SRL I-42029 Masone (REGGIO EMILIA)-ITALY-UE	Tel. ++39 0522 340648	STE	RTE
	Fax. ++39 0522 345025		
Email: braglia@braglia.it		180.1910.10	

200.302.47



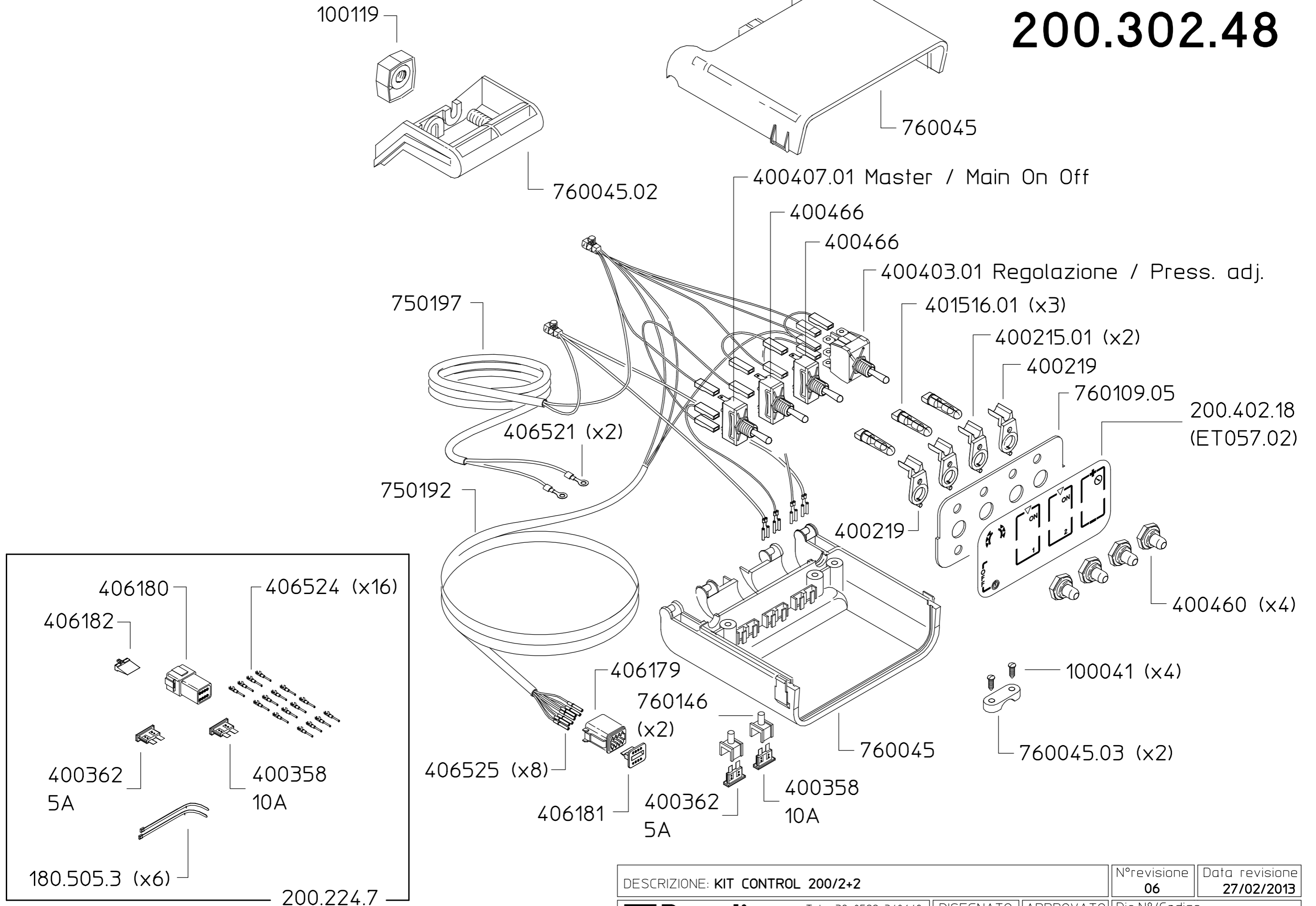
DESCRIZIONE: KIT CONTROL 200/2		N°revisione 06	Data revisione 27/02/2013
 Braglia SRL I-42122 REGGIO EMILIA - ITALY - UE Email tecnico@braglia.it		DISEGNATO G.BRAGLIA	APPROVATO G.BRAGLIA
		Dis.N°/Codice	200.302.47

Tel. +39 0522 340648

Fax. +39 0522 345025

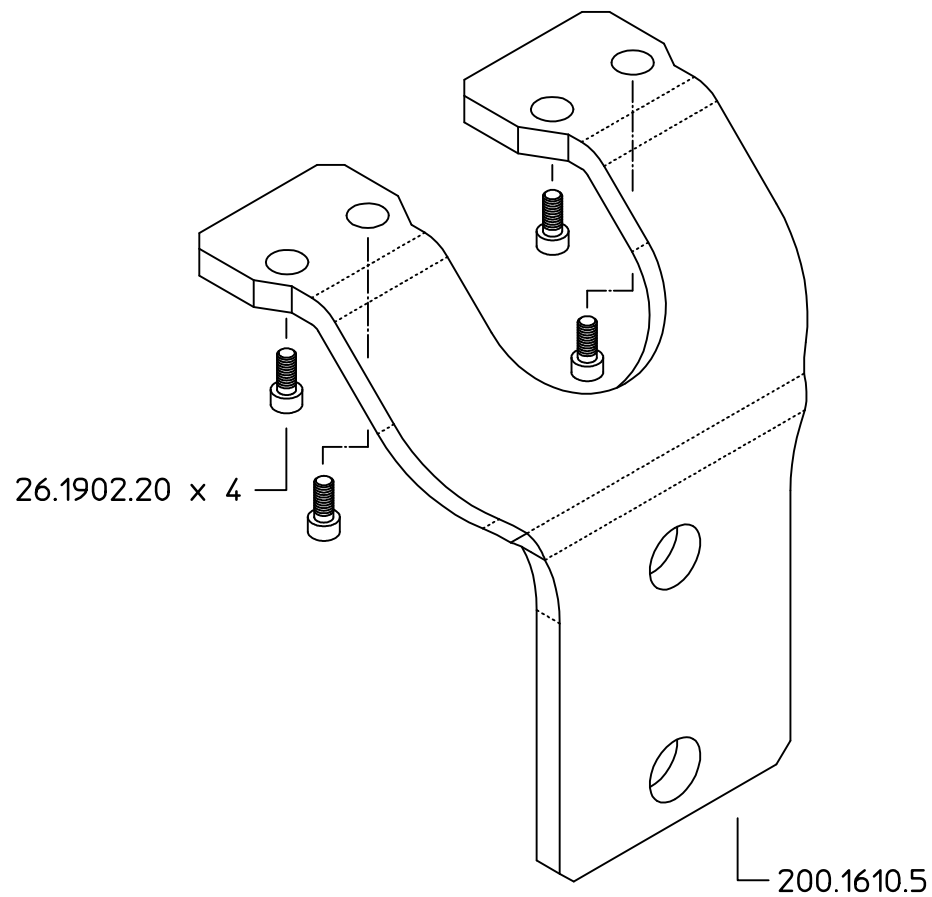
Email tecnico@braglia.it

200.302.48



DESCRIZIONE: KIT CONTROL 200/2+2		N°revisione 06	Data revisione 27/02/2013
 Braglia SRL I-42122 REGGIO EMILIA - ITALY - UE Email tecnico@braglia.it		DISEGNATO G.BRAGLIA	APPROVATO G.BRAGLIA
		Dis.N°/Codice 200.302.48	

200.805.13

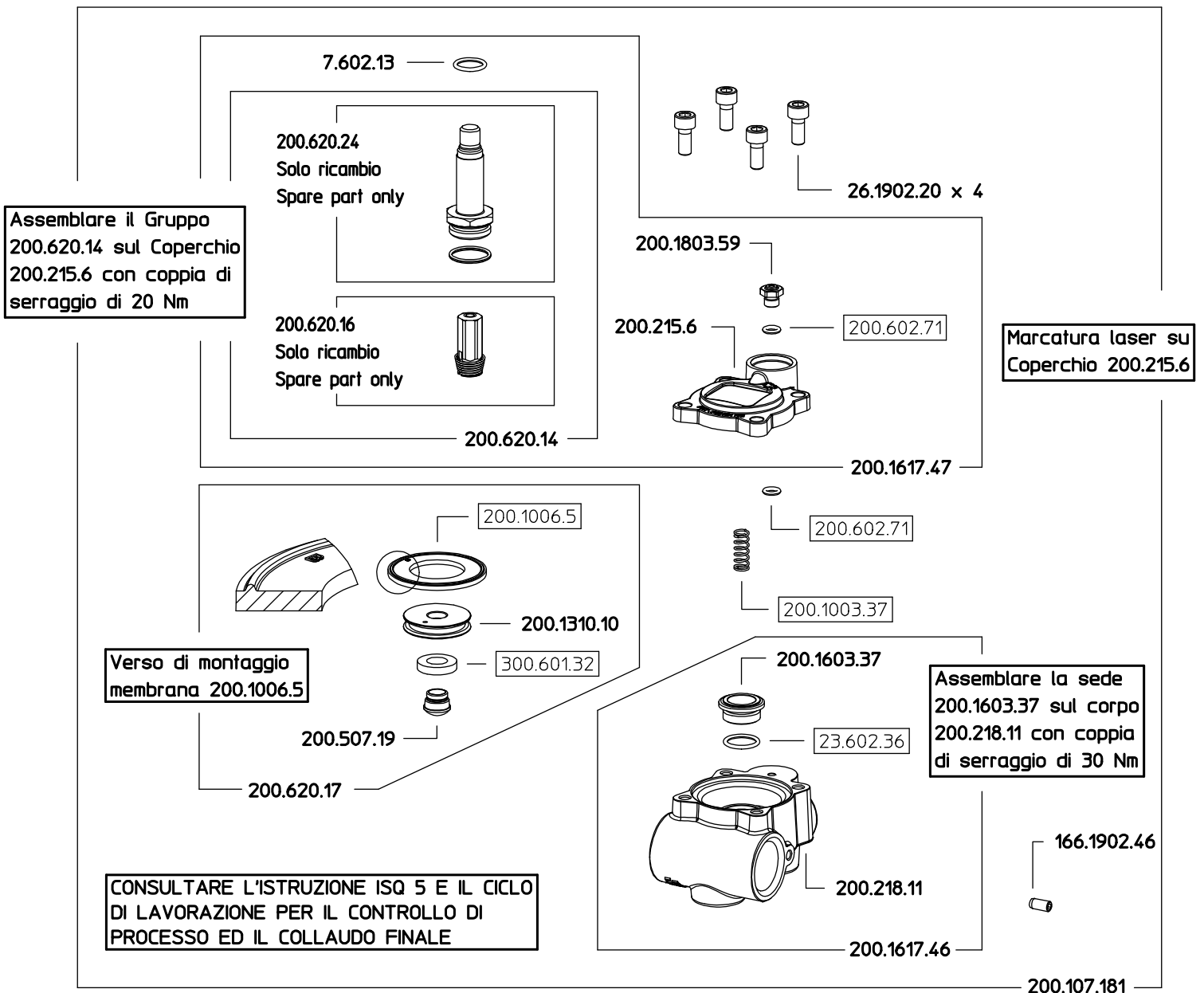
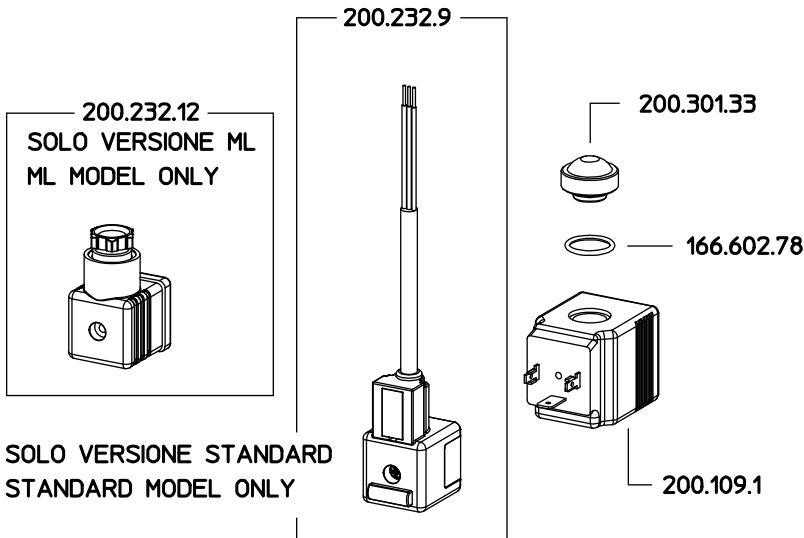


DENOMINAZIONE: Kit staffa M200				N°revisione 00	Data revisione: 11/12/03
 Braglia SRL	Tel. ++39 0522 340648	STE	RTE	Dis.N°/Codice 200.805.13	
	Fax. ++39 0522 345025				
I-42029 Masone (REGGIO EMILIA)-ITALY-UE		Email braglia@braglia.it			

200.1915.1

200.1915.1 NC

200.1915.1 ML



COME SI ORDINA / HOW TO ORDER

Kit ricambio
Spare parts kit **200.302.46**

DESCRIZIONE: VALVOLA M200 27W 40BAR

Braglia SRL
I-42122 REGGIO EMILIA - ITALY - UE
Tel. +39 0522 340648
Fax. +39 0522 345025
Email tecnico@braglia.it

DISEGNATO
G.BRAGLIA

APPROVATO
G.BRAGLIA

N°revisione
10

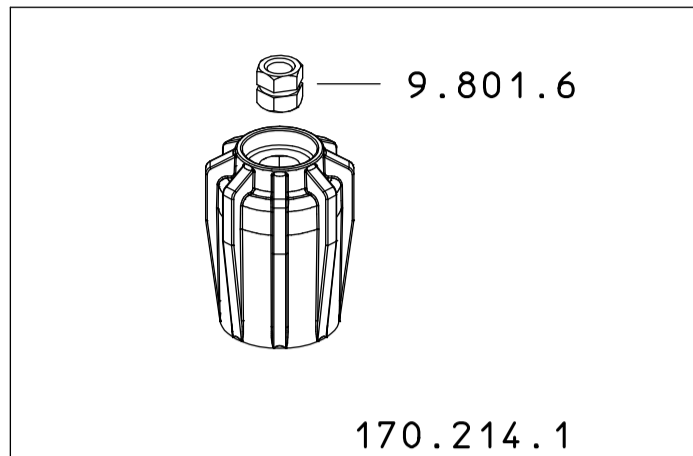
Data revisione
16/11/2011

Dis.N°/Codice

200.1915.1

9.301.7
 LOXEAL 56.03
 Con 170.1902.16

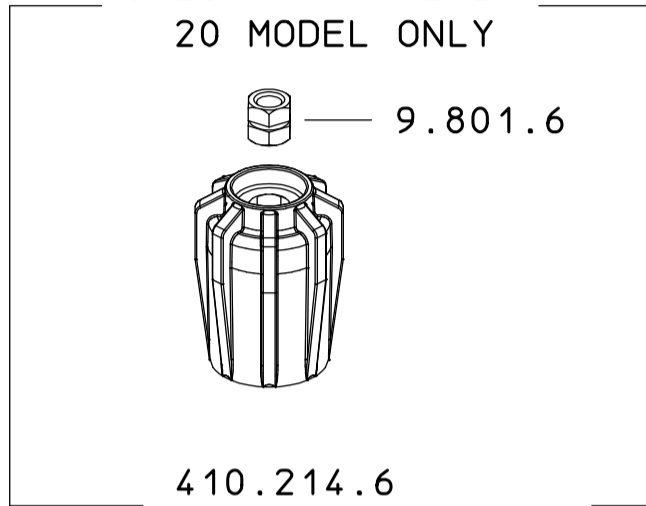
401.1510.7
401.1510.7 20



9.801.6

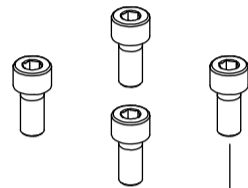
170.214.1
 NERO / BLACK

SOLO VARIANTE 20
 20 MODEL ONLY



9.801.6

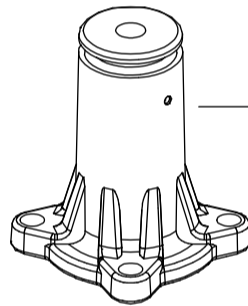
410.214.6
 ARANCIO / ORANGE



170.1902.18 x4

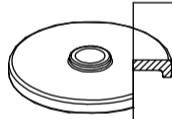


410.602.89



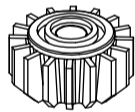
401.7.8

401.1006.7



Dettaglio verso di
 montaggio membrana

401.801.77



170.202.7



170.1902.17
 LOXEAL 56.03

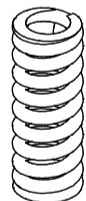
401.620.45



170.1902.16
 LOXEAL 56.03
 Con 9.301.7



170.1608.1



401.1003.44

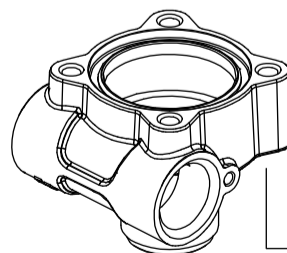
SOLO VARIANTE 20
 20 MODEL ONLY



401.1003.45



170.1603.29



401.218.16

LUBRIFICARE CON GRASSO MOLY LT2 I COMPONENTI
 SOGGETTI A SFREGAMENTO E ROTAZIONE

COME SI ORDINA / HOW TO ORDER

Kit ricambio

Spare parts kit

401.302.64

DESCRIZIONE: **REGOLATORE M401**

N°revisione
03

Data revisione
05/06/2012

Braglia SRL
 I-42122 REGGIO EMILIA - ITALY - UE
 Email tecnico@braglia.it

Tel. +39 0522 340648
 Fax. +39 0522 345025

DISEGNATO
M.CORRADINI

APPROVATO
G.BRAGLIA

Dis.N°/Codice
401.1510.7