

# Fuel Tank Filler Door Package Installation

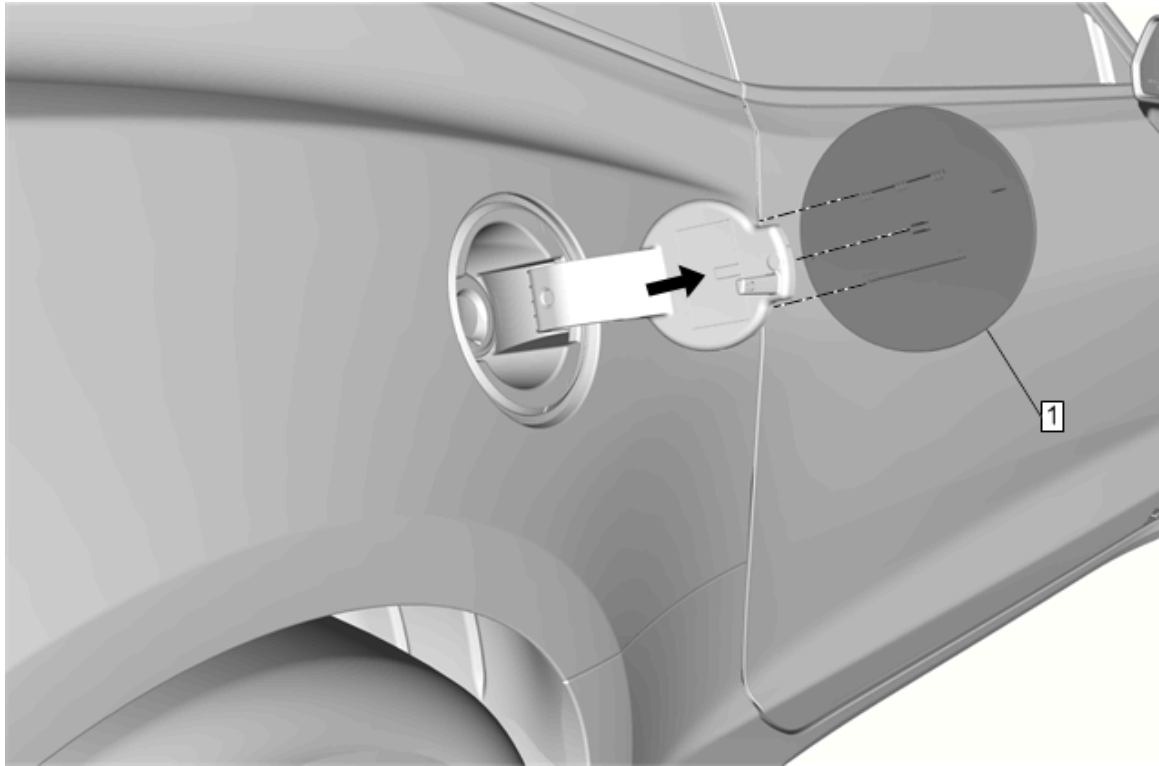
## Installation Instructions Part Number

23227142

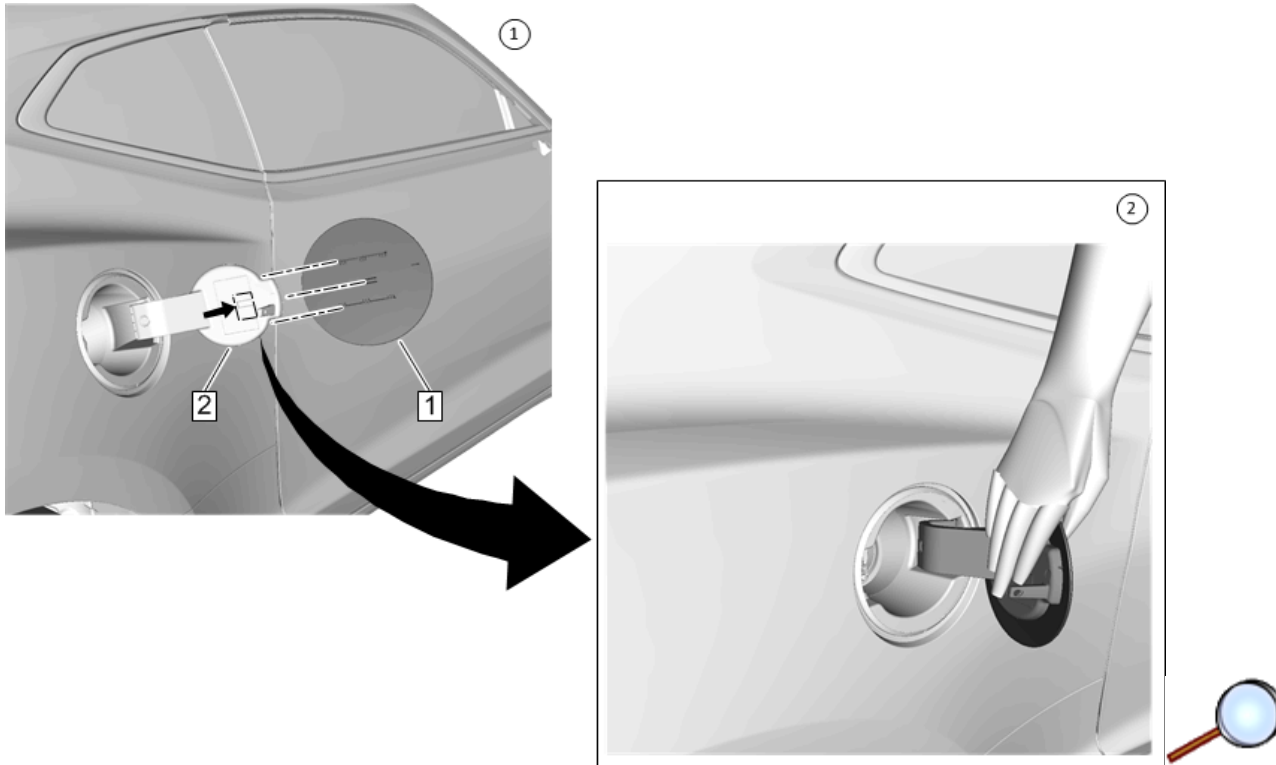
### Kit Contents

Qty	Description
1	Fuel Tank Filler Door
1	Installation Instructions

## Procedure



1. Position the fuel tank filler door to the full open position. Using light outward sliding pressure on the fuel door, lift up and release the retainer tab on the back side of the fuel door from the hinge.
2. Slide door off.



3. Position accessory door (1) along door hinge (2) using same sliding motion to re-install the door onto the hinge. Pressure may need to be applied to engage the door tabs to the hinge tabs before sliding the door to its final install position.