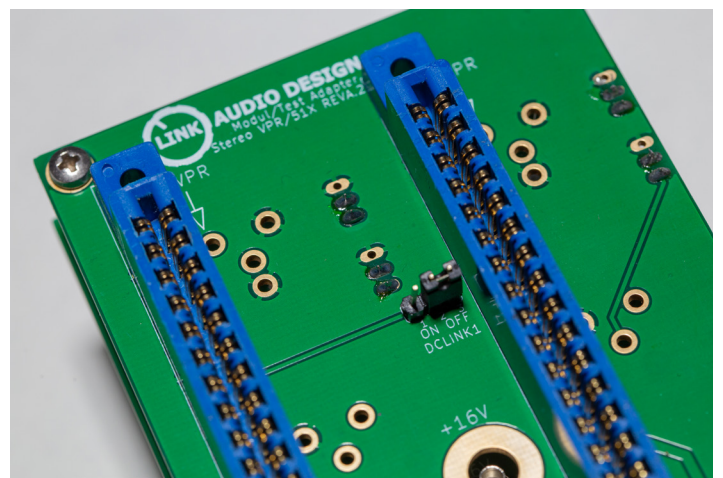
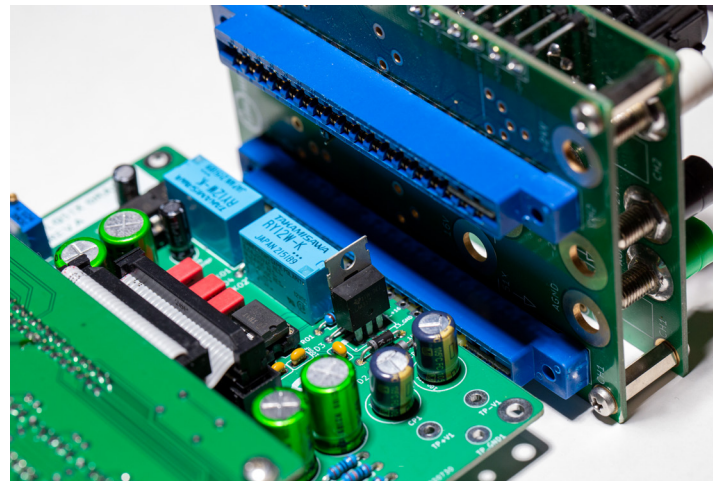


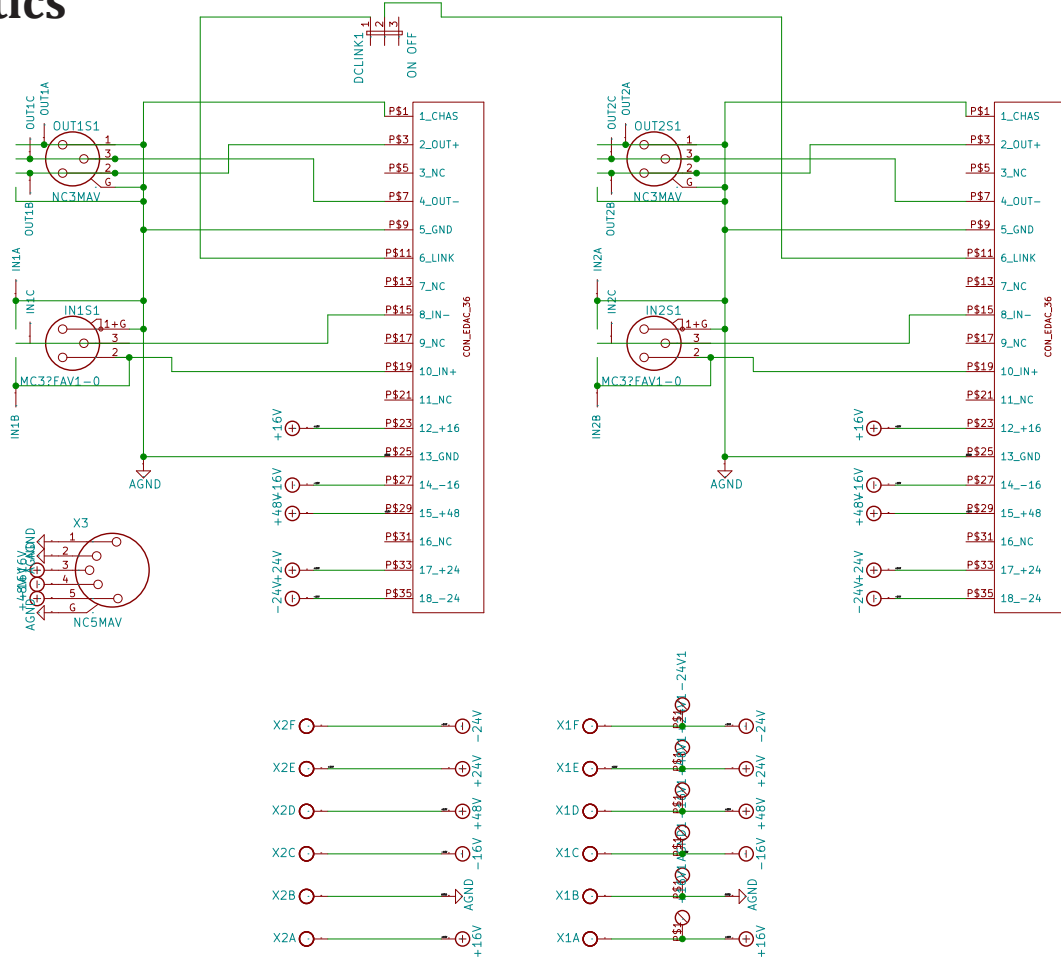
# 51X STEREO ADAPTER

Let me introduce this Stereo Test Adapter Project. It's basically a Tool for testing your 500 and 51X Equipment, in the Studio or in Workshop. The Adapter have 4mm Hirschmann (Banana Connections) for Measuring Equipment and Bench Power Supplies. You always have different possibilities to Connect Power or Audio Signals to the Adapter. Check some detailed Pictures for getting the Adapter built. Also always check the direction how the Module is Plugged in. We add to each Kit these small 51X Spacers. Add them to the Card Connector to connect always Standard 500 Modules and don't went wrong in the direction. The Stereo Test Adapter can also DC\_Link Modules that run Stereo. There is a small Jumper that can set for Stereo Connection. In this sheet you will find schematics, Overlays and Bill of Materials. Have Fun!



**DISCLAIMER:** Proceed at your own risk. I am not liable for any damage, harm or loss of any kind resulting from the assembly and/or use of this PCB set. Safety provisions should always be exercised whenever working with any electronics. The following instructions are guidelines only. I can make no guarantee of the accuracy of contents contained within this document.

# Schematics



## Bill of Materials (BOM)

1	DCLINK1	Jumper	1	Jumper
2	DCLINK1	1x3Pin_2.54mm	1	3 Pin
3	Board Connections	1x20Pin_2.54	1	20 Pin
4	U1,U2	CONEDAC	2	CON_EDAC_36
5	-16V,+16V,+24V,AGND,+48V,-24V	1POL6MM10MMSPACING	6	4MMHIR-SCHMANN
6	Spacers	15mm Spacers	4	15mm Spacers
7	M3 Screw	M3 Screw	8	M3 Screw
8	X3	NC5MAV	1	NC5MAV
9	OUT1,OUT2	NC3MAV	2	NC3MAV
10	IN1,IN2	NC3FAV1-0	2	NC3FAV1-0
11	VPR / 51X Adpater	VPR / 51X Adpater	2	Spacer PCB
12	PCB Set	PCB Set	2	PCB Set



# PCB layout for reference

