

Roof Lift Off Window Package Installation (Instruction ID: 84389979)

[Installation Instructions Part Number](#)

84389979

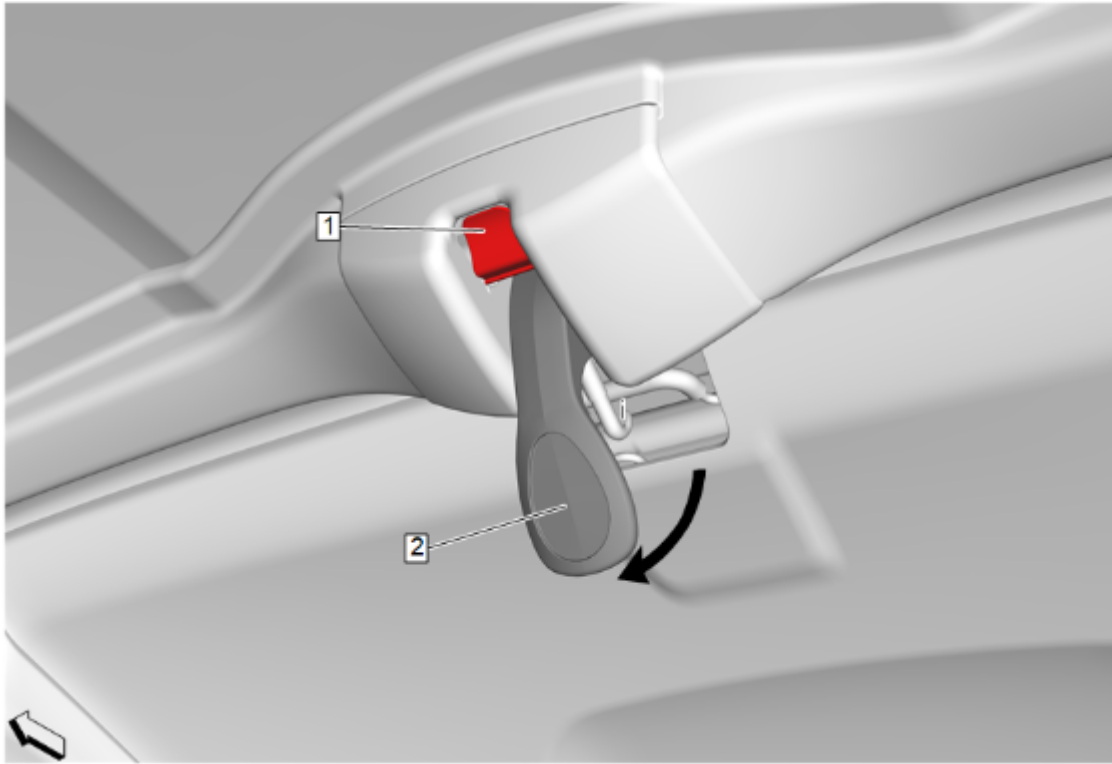
Kit Contents

Qty	Description
1	Roof Lift Off Window Panel
1	Installation Instructions

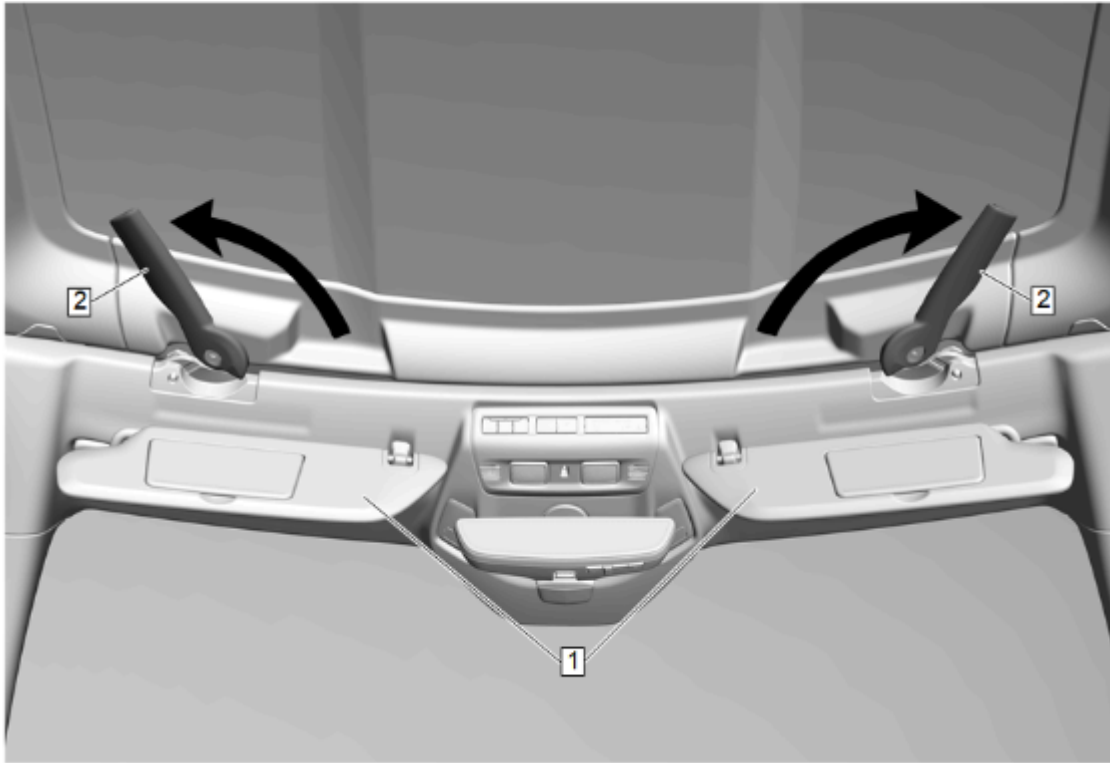
[Removal Procedure](#)

Caution: Perform the following procedures before removing or installing the roof lift off panel to help avoid damage.

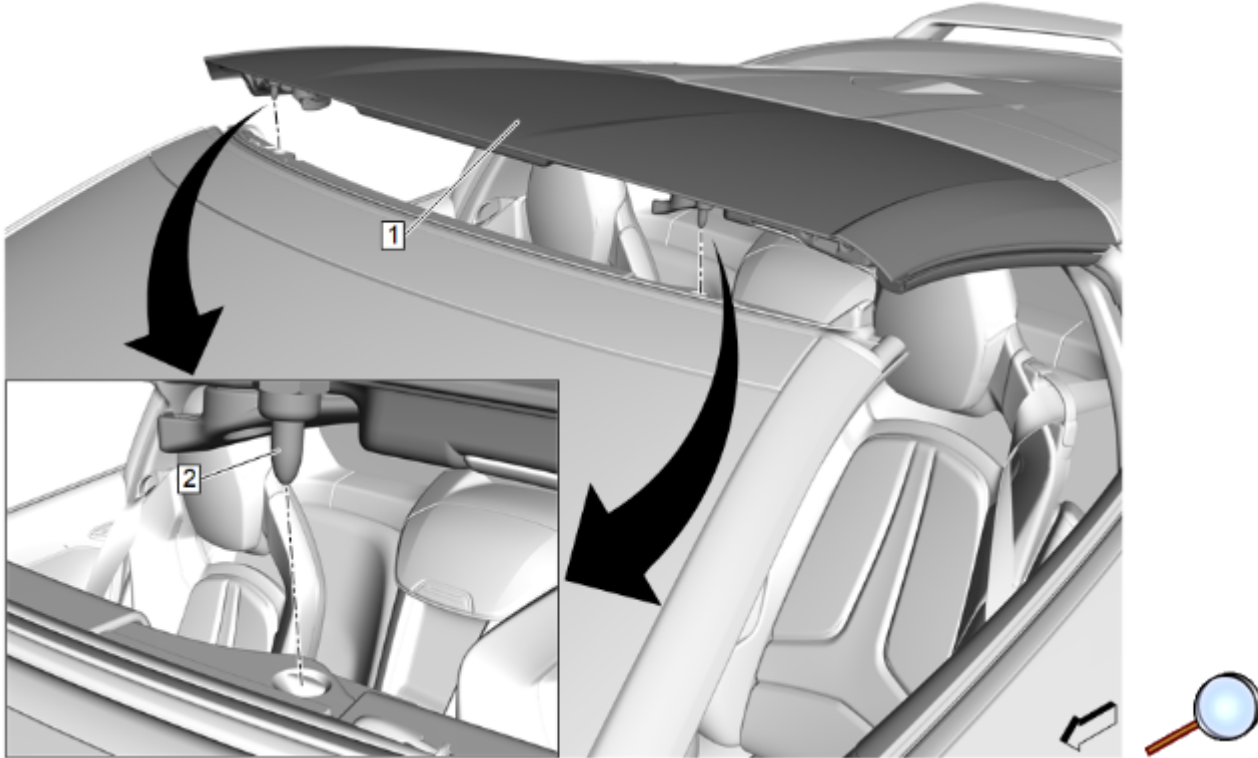
- Park the vehicle on a level service.
- Shift the automatic transmission into PARK.
- Shift a manual transmission into REVERSE or FIRST gear.
- Set the parking brake firmly.
- Lower the side windows.
- Turn the ignition key OFF



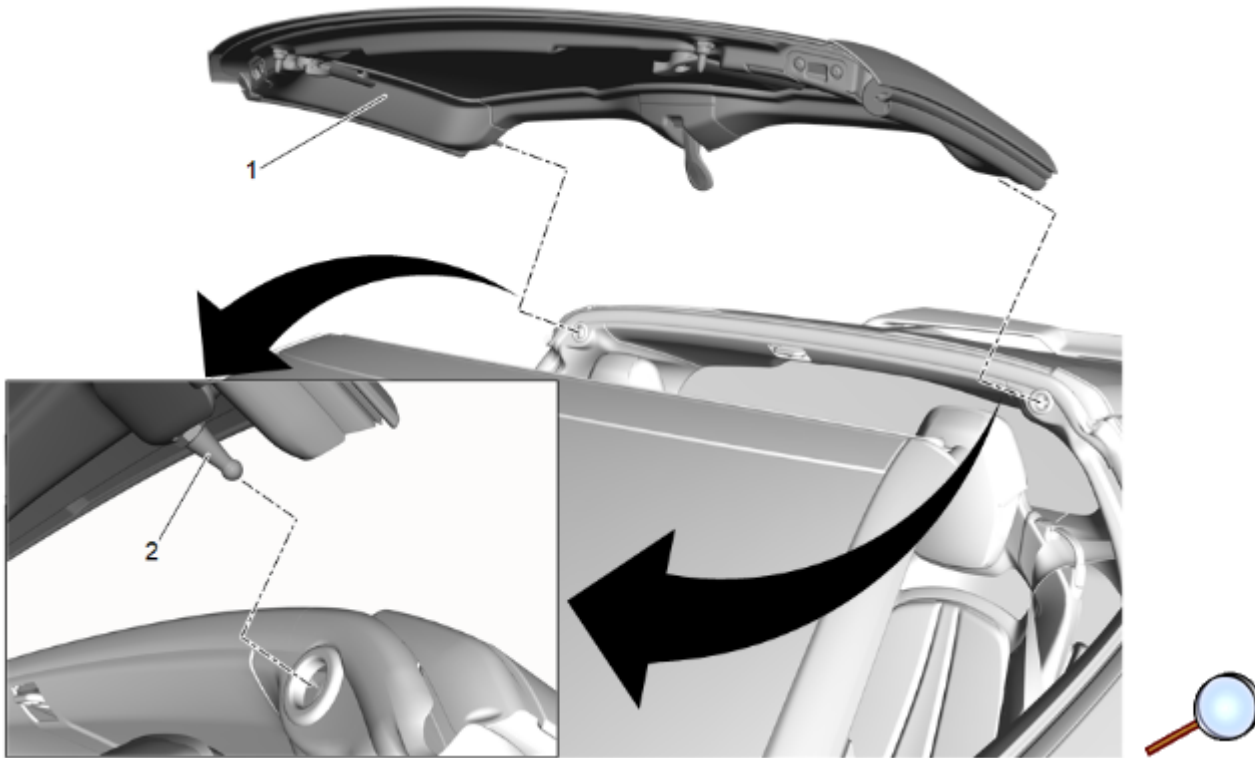
1. Depress the rear latch release button (1) and rotate the roof lift off panel/window rear latch (2) down and forward, ensuring the latch clamp has released.



2. Place each sunshade (1) in the downward position to access the front latches.
3. Pull down the roof lift off panel/window latch handles (2) and rotate each handle outward.



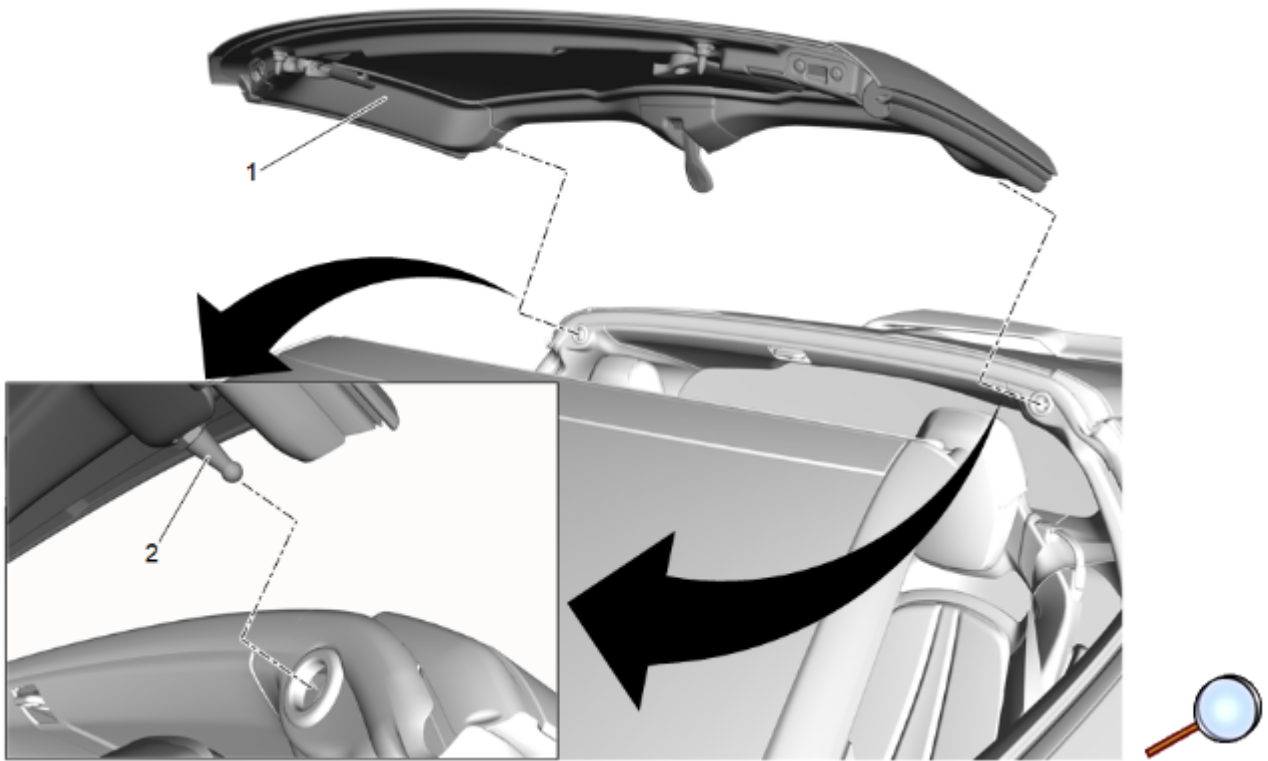
4. Lift the front of the roof lift off panel (1) to disengage the roof lift off panel locating pins (2).



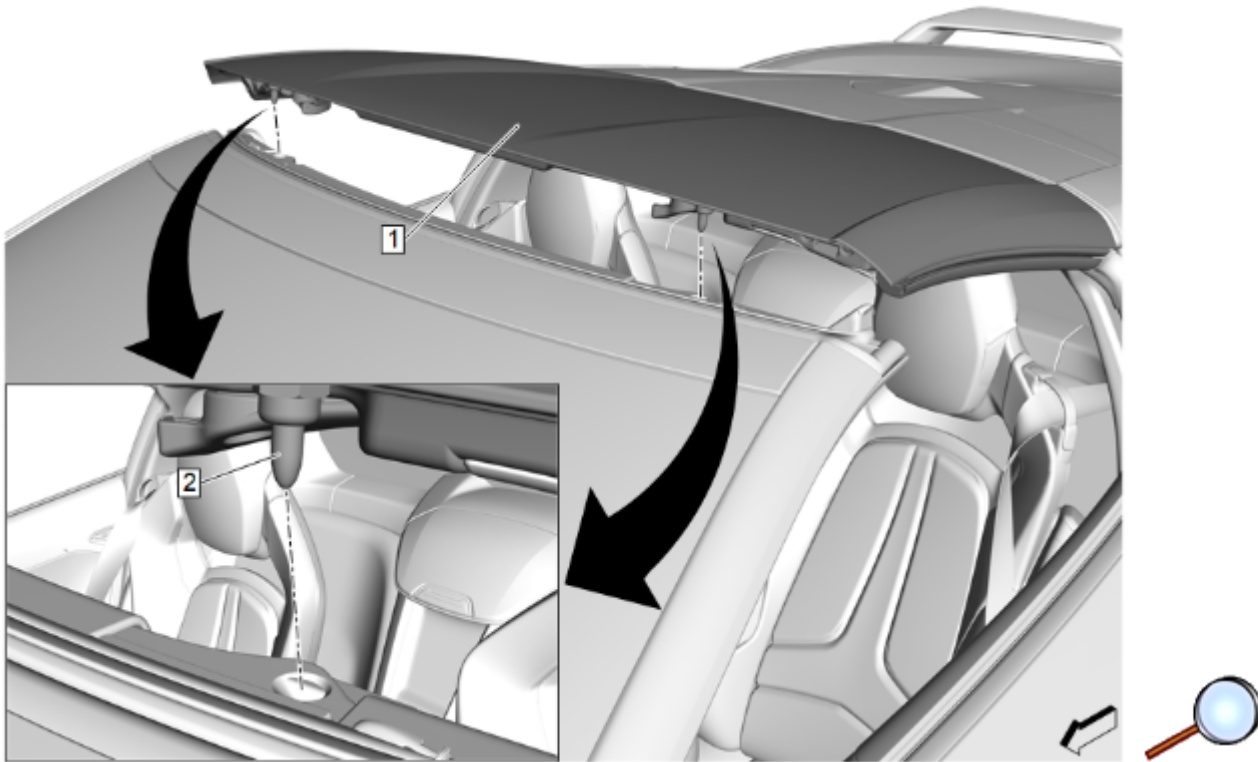
Note: Observe the location of the rubber grommets mounted around the rear locating pin receiver access holes. The grommet may be uninstalled when the roof lift off panel is removed. Ensure the grommet is properly mounted before installing the roof lift off panel.

5. Slide the roof lift off panel (1) forward to disengage the roof lift off panel locating pins (2).
6. Remove the roof lift off panel (1), and place on a cleaned prepared surface.
7. Transfer components as necessary.

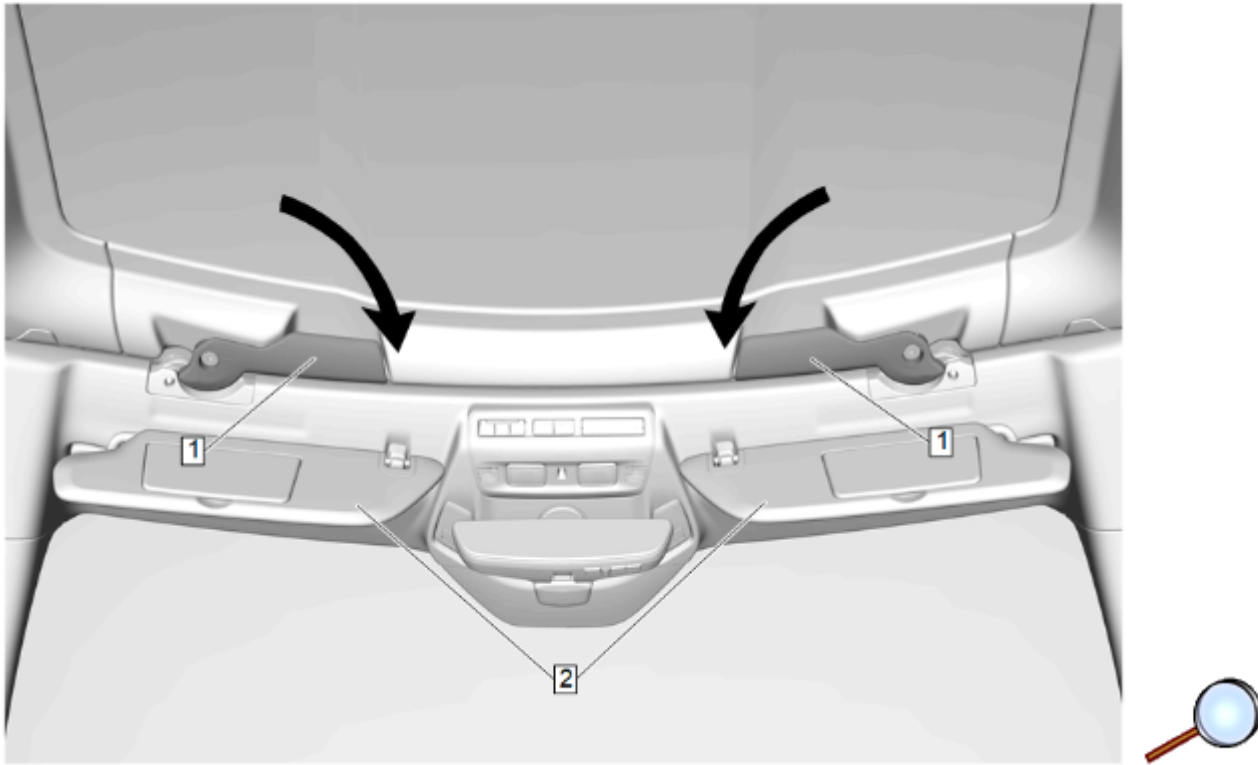
Installation Procedure



1. Slide the roof lift off panel (1) rearward to engage the roof lift off panel locating pins (2).

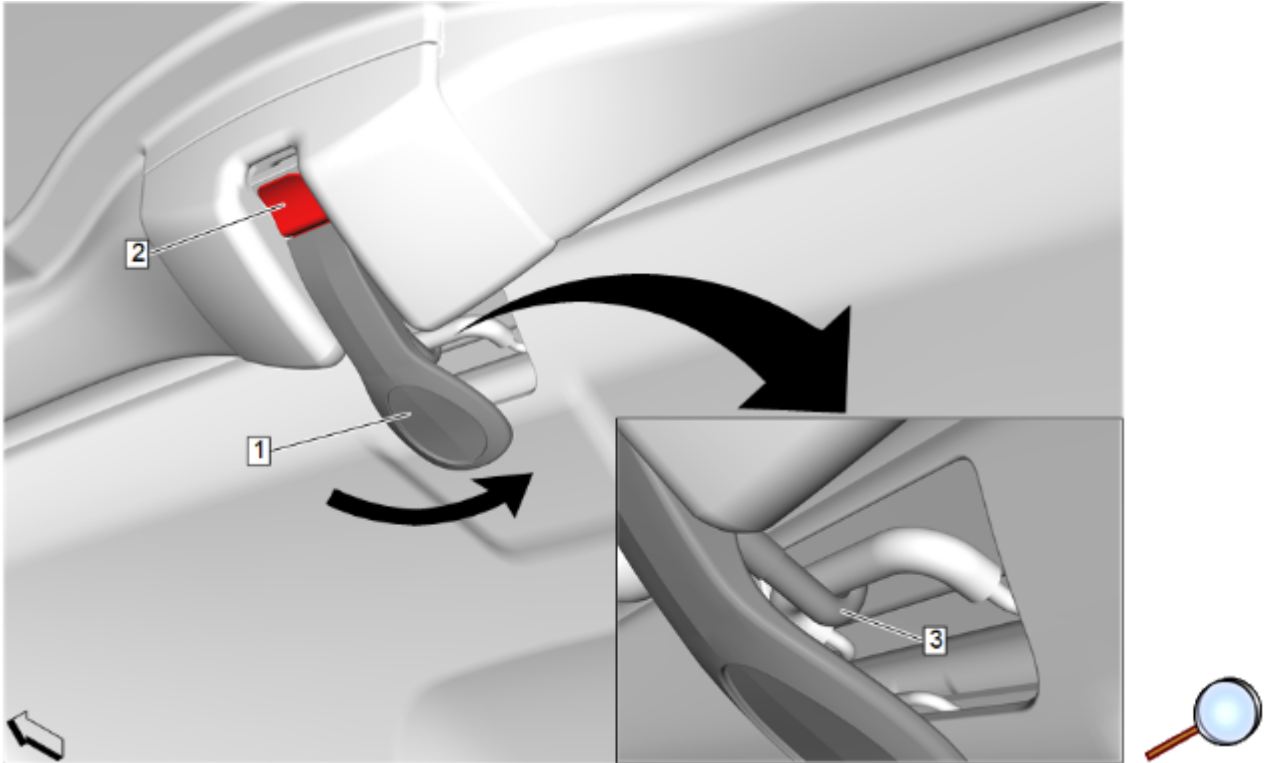


2. Gently lower the roof lift off panel (1) and engage the roof lift off panel locating pins (2).
3. Adjust the roof lift off panel. Refer to [Roof Lift Off Panel Adjustment](#) in Vehicle Service Manual.



Note: There will not be an audible click, but the latches will firmly fit in place by detent.

4. Rotate the roof lift off panel/window latch handles (1) inward until full travel is reached.
5. Place each sunshade (2) back to it's proper upright position.



Note:

- Ensure the latch clamp is aligned to the roof lift off panel rear striker before engaging latch.
- There will be an audible click from the rear latch release button, identifying that the latch has locked.

6. Engage the latch clamp (3) and firmly secure the roof lift off panel/window rear latch (1) upward to the fully closed position.
7. If additional adjustments are required, repeat installation step 3.