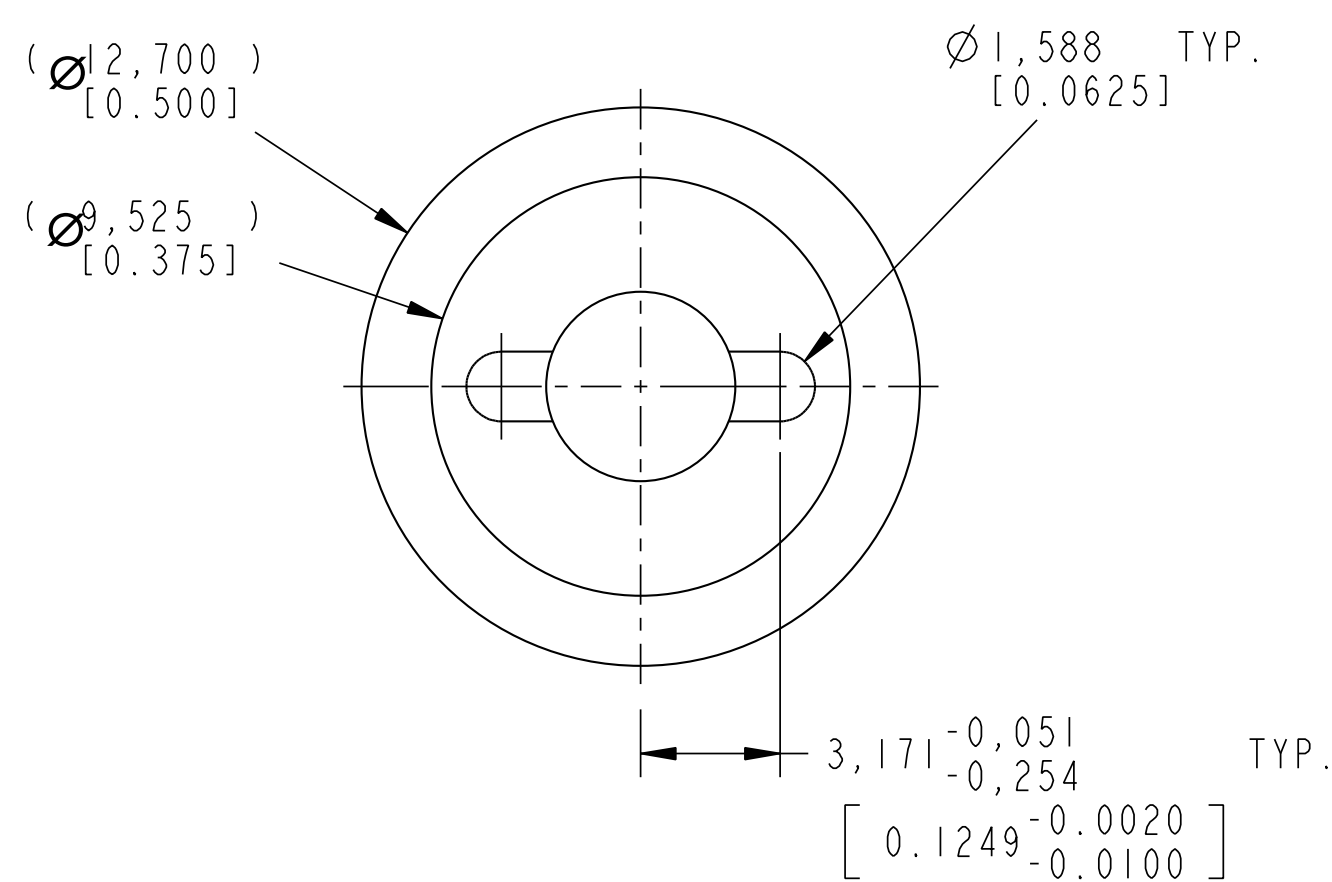
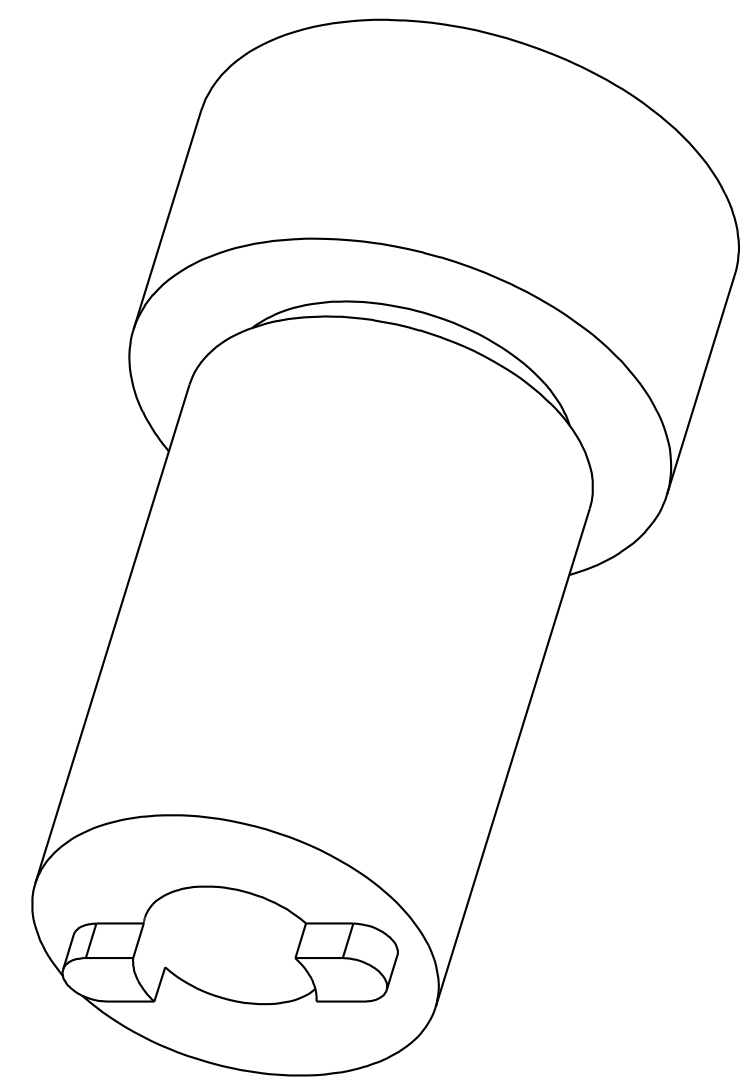
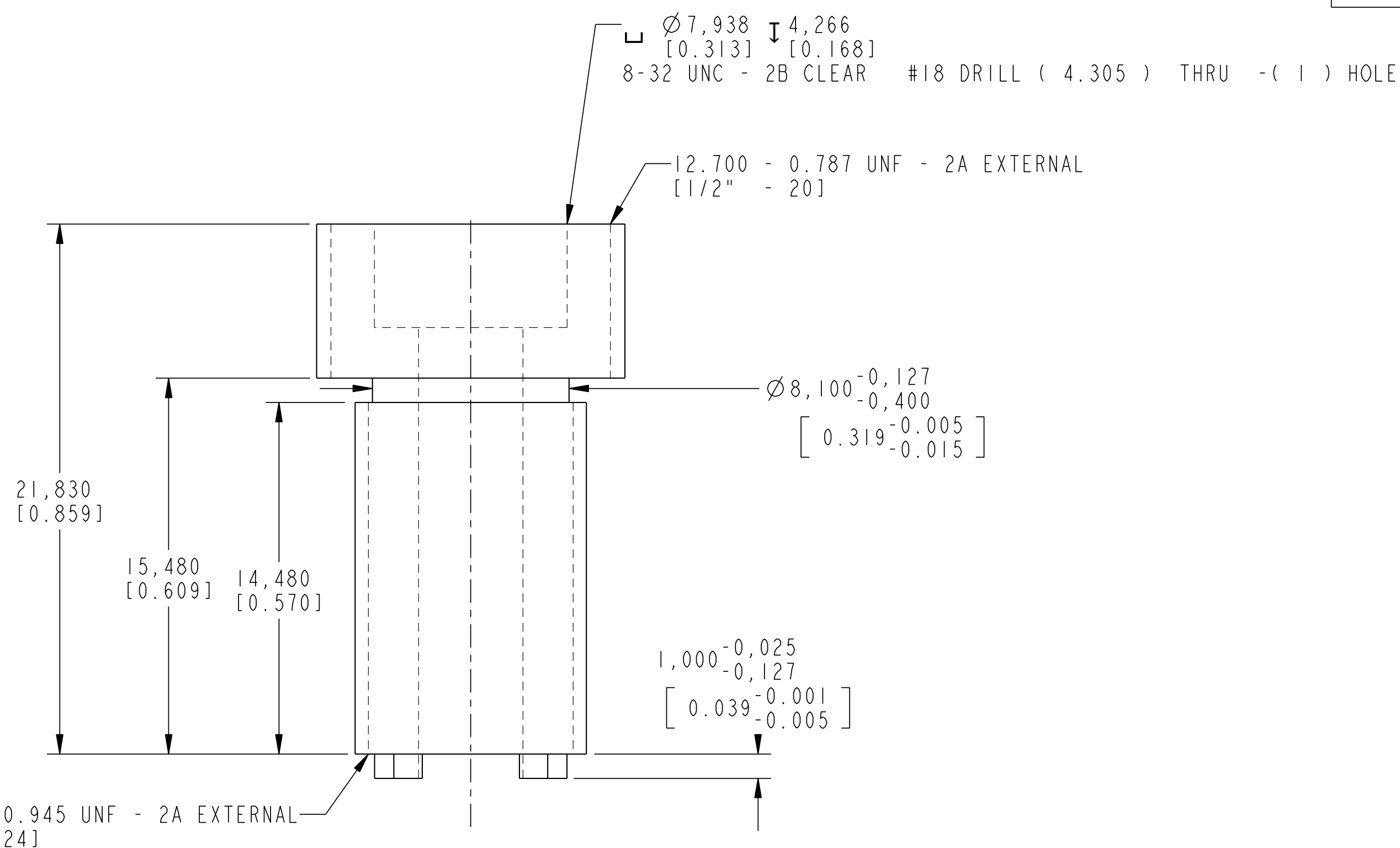


1 2 3 4 5 6 7 8 9

REVISIONS			
REV	BY	DATE	NOTES
I	MMI	11/18/19	INITIAL RELEASE



NOTES:

UNLESS OTHERWISE SPECIFIED
TOLERANCES ARE:

.X = ± 0.5 mm
 .XX = ± 0.30 mm
 .XXX = ± 0.100 mm
 ANGLES = $0^\circ \pm 30'$

PRIMARY UNITS IN MILLIMETERS
[SECONDARY UNITS IN INCHES]

BREAK ALL EDGES - MAX CORNER RADIUS 0.30 mm

MATERIAL: 304 SS

Cypress		Morrisville, NC	
PART			
CONNECTOR			
SIZE	FSCM NO.	DRAWING NO.	
C		1	
SCALE 6.000		SHEET 1	