

Rear Signal Lamp Kit Installation (Instruction ID: 23281666)

[Installation Instructions Part Number](#)

23281666

Kit Contents

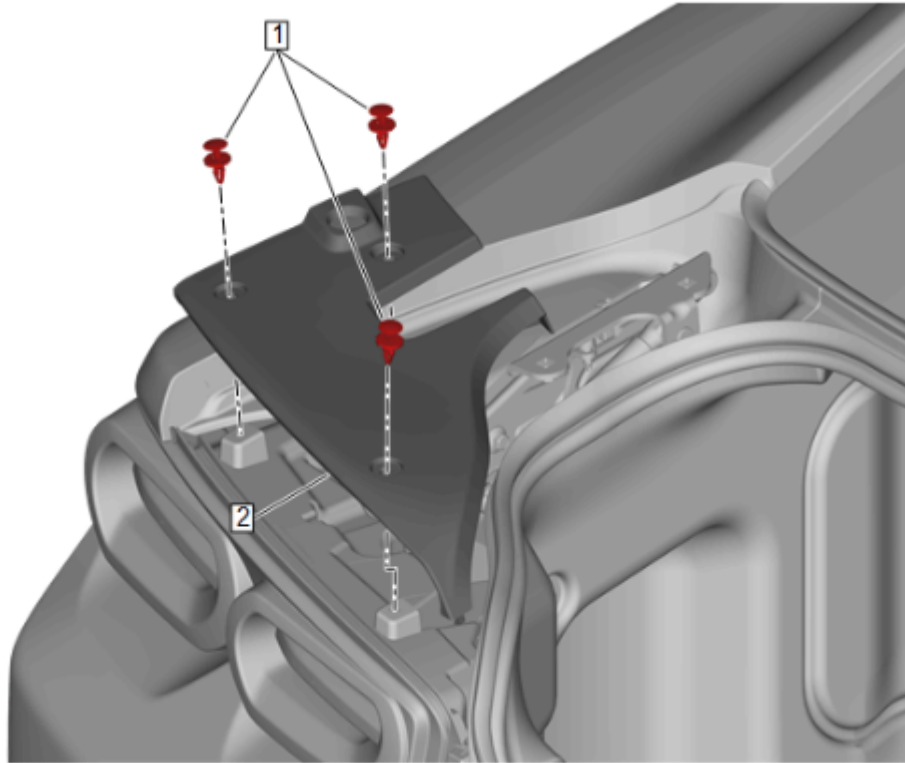
Qty	Description
1	Lamp Assembly – Rear Body Structure (LH)
1	Lamp Assembly – Rear Body Structure (RH)
1	Installation Instructions

[Procedure](#)

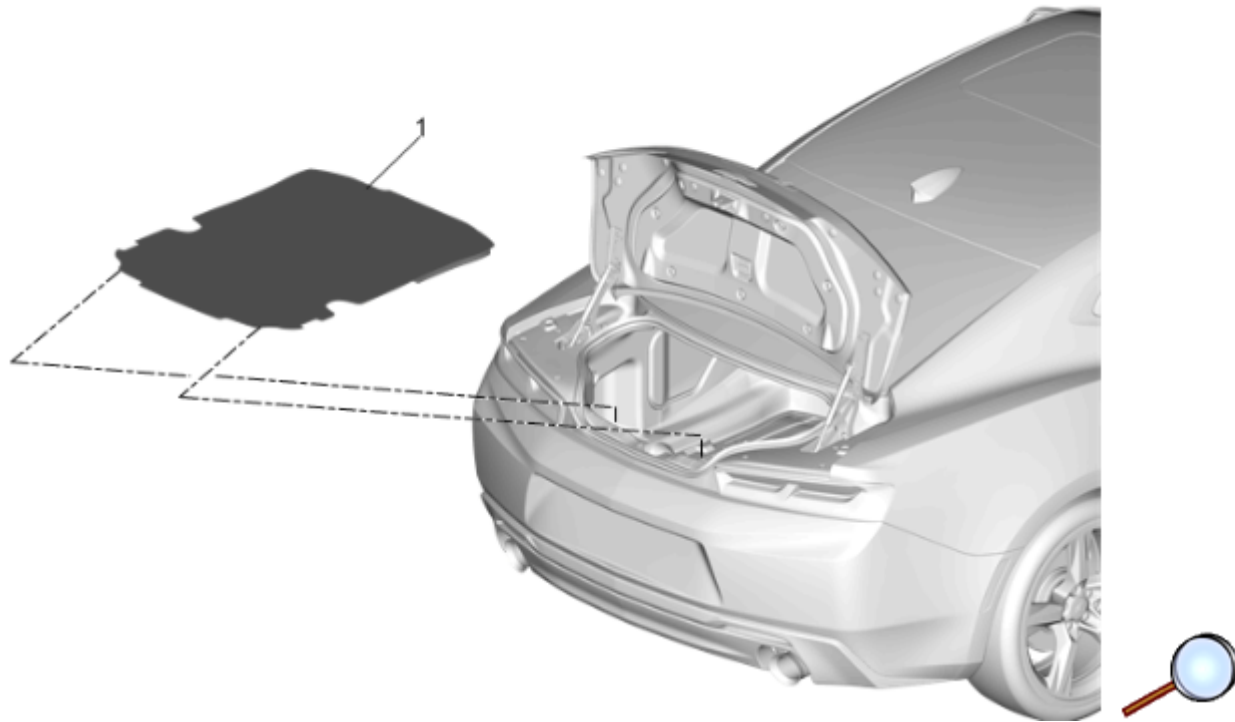
Removal

Note: Up-level exterior lamps have headlamps with one cavity for projector lamps, one cavity for turn signal lamps, and a wide light bar at the bottom. Accessory tail lamps cannot be used on vehicles that have base headlamps with three cavities (high beam, low beam, and turn signal bulbs).

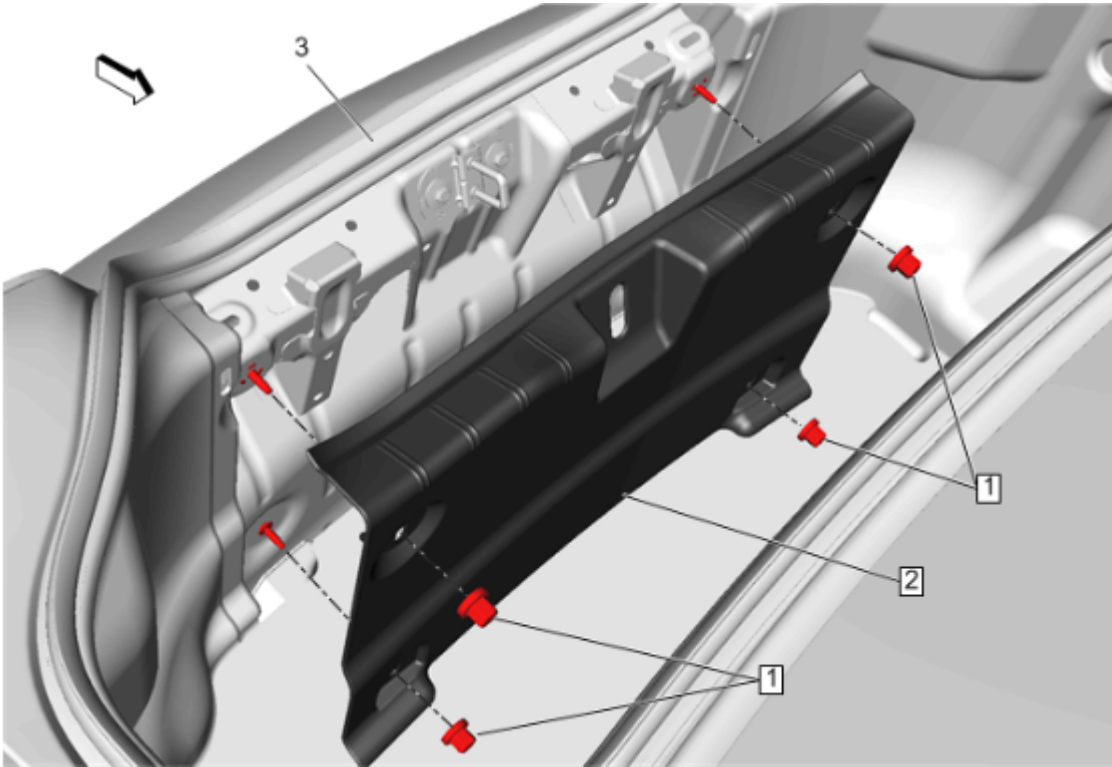
1. Open and support the rear compartment lid.



2. Using a suitable tool remove and retain the retainers (1).
3. Remove the tail lamp closeout filler panel (2).



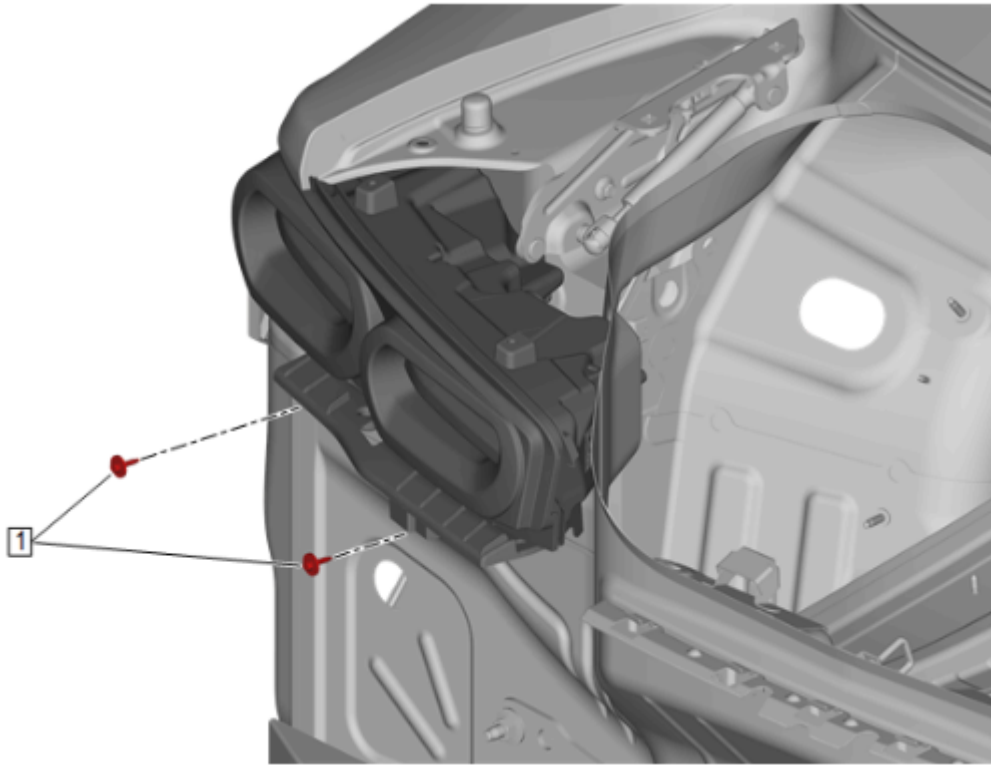
4. Remove the rear compartment floor trim (1).



5. Remove the retainers (1) from the rear end trim finish panel.
6. Remove the rear end trim finish panel (2) from the rear compartment.

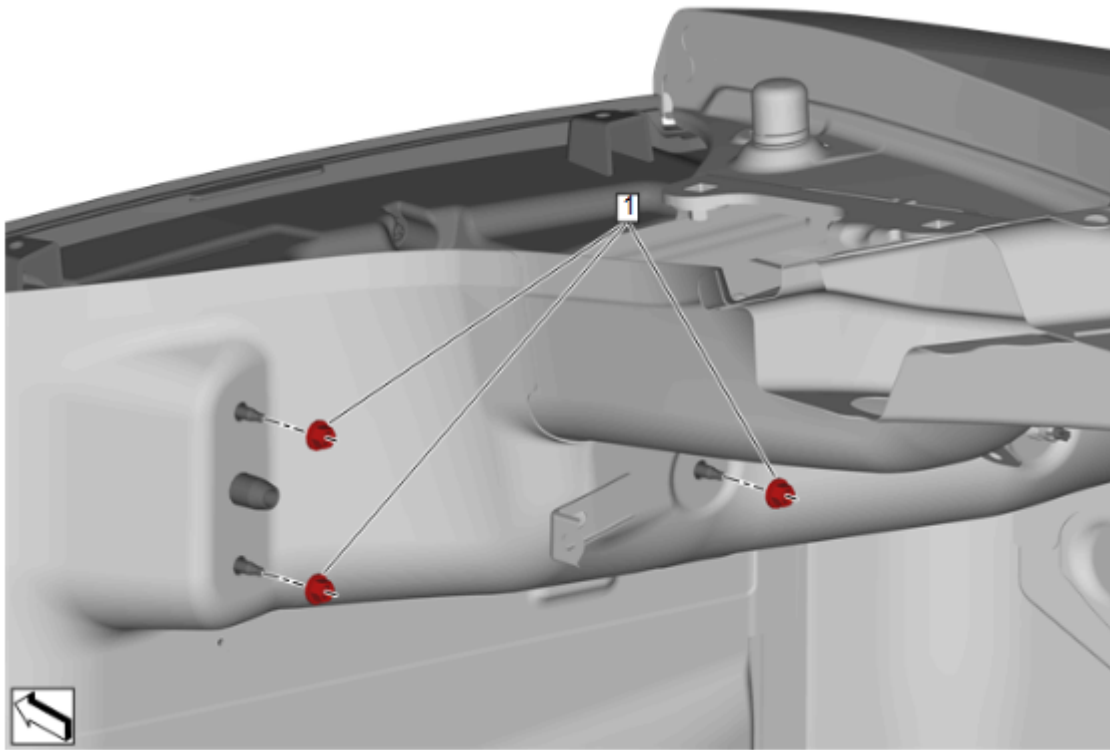


7. Reposition the rear compartment trim panel (1) in order to gain access to the rear tail lamp nuts and retainers.
8. Rear Bumper Fascia » Remove — Refer to [Rear Bumper Fascia Replacement](#) in Vehicle Service Manual.



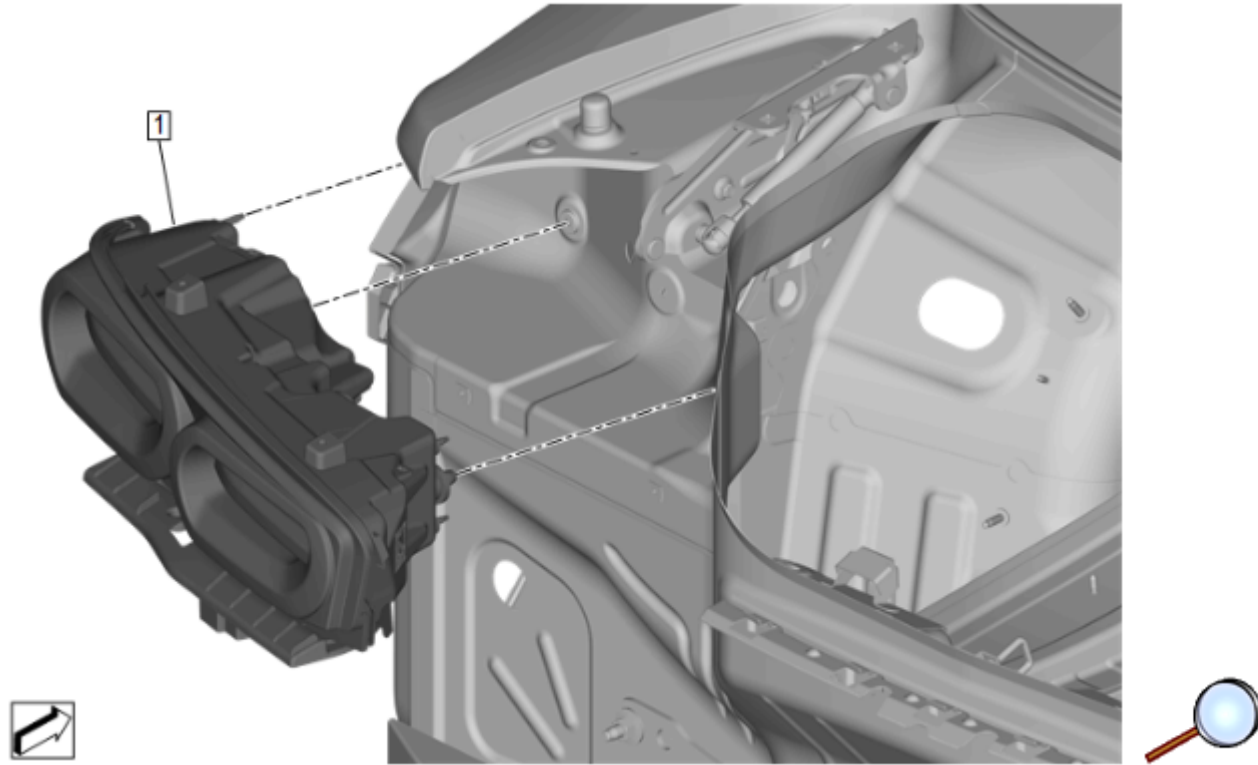
9. Remove the 2 rear body structure stop lamp bracket bolts (1).





10. Remove the 3 rear body structure stop lamp nuts (1).

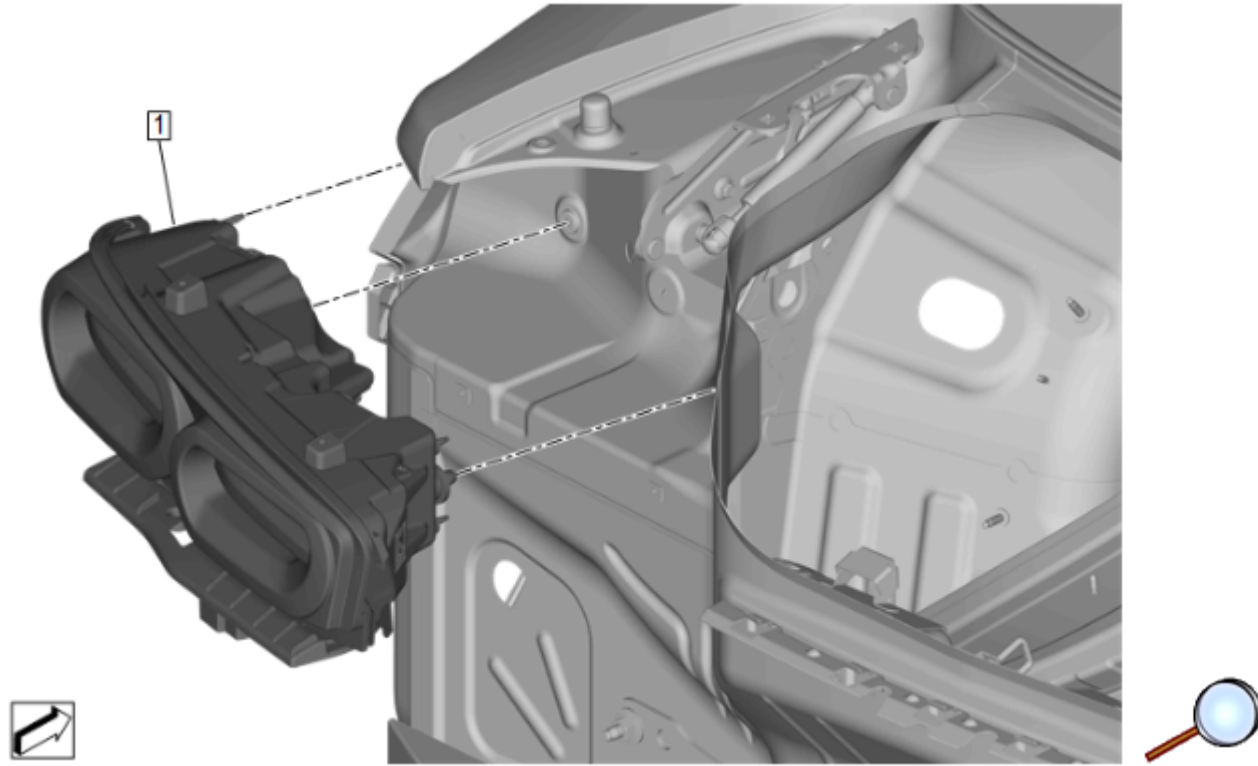
11. Disconnect the electrical connector.



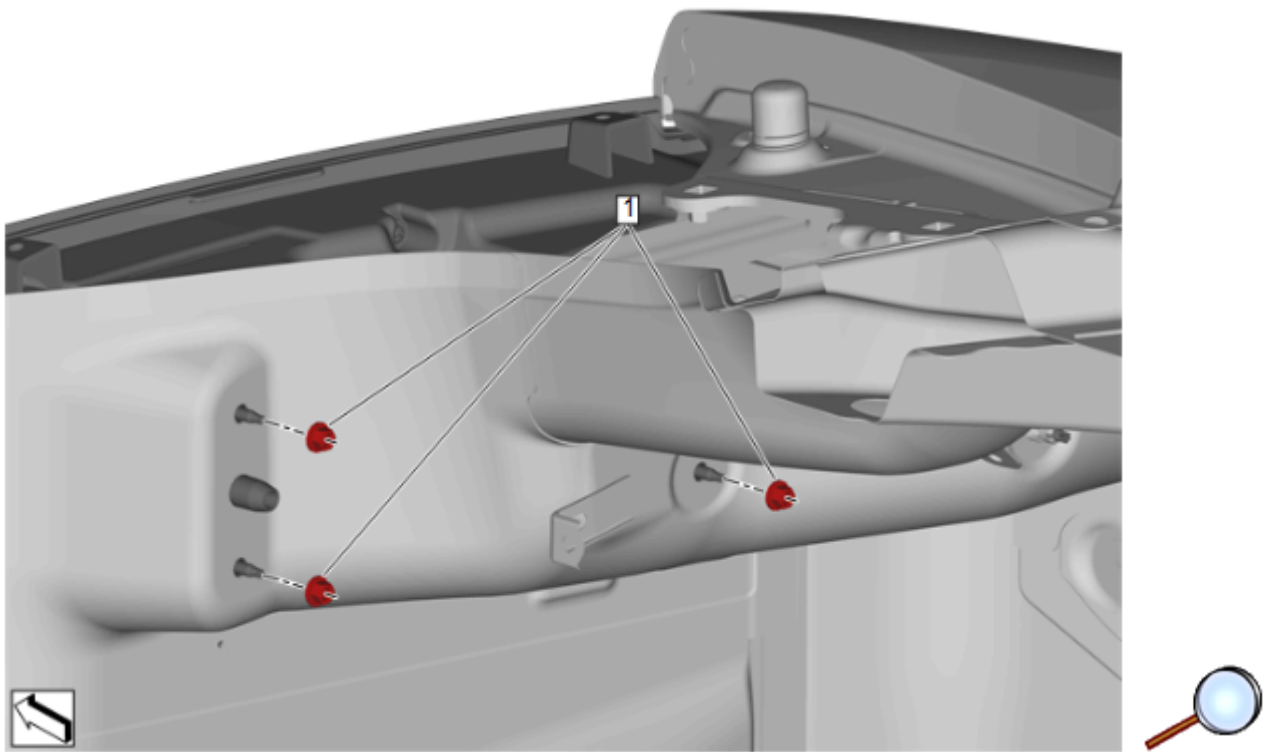
12. Remove the rear body structure stop lamp (1).

13. Transfer components as necessary.

Installation

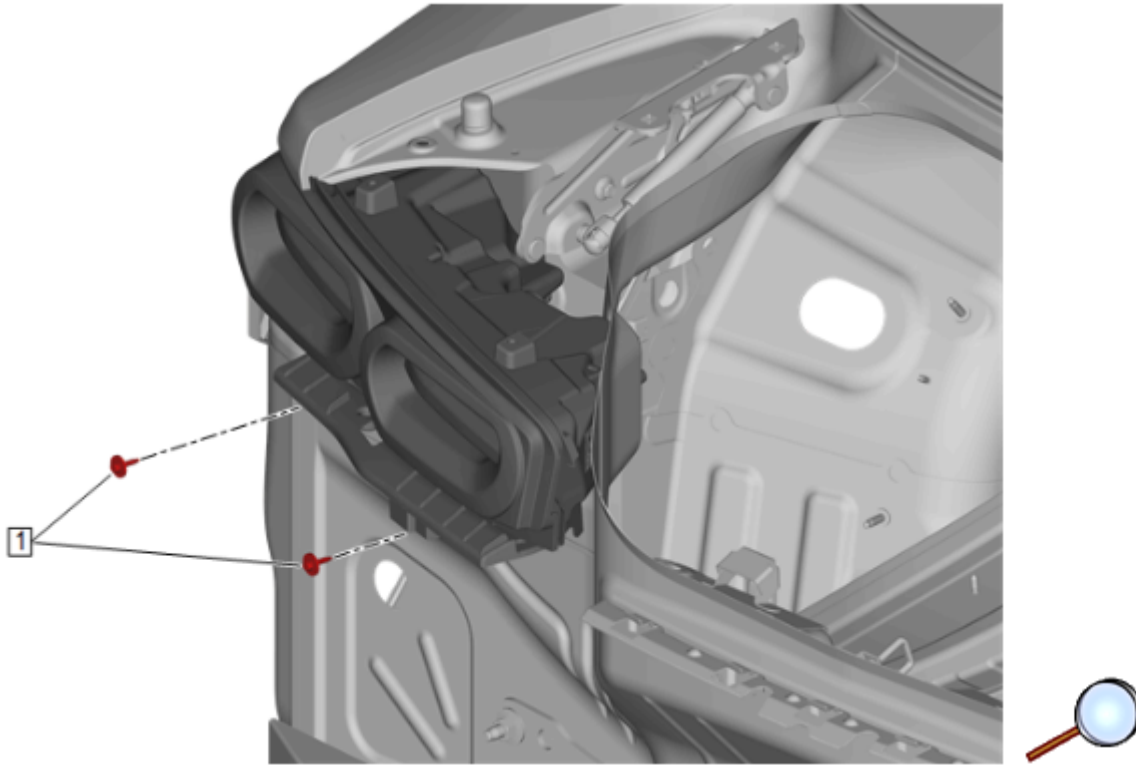


1. Install the new rear body structure stop lamp (1).



Caution: Refer to [Fastener Caution](#).

2. Install the 3 rear body structure stop lamp nuts (1) and tighten to **4.7 N•m (42 lb in)**.



3. Install the 2 rear body structure stop lamp bracket bolts (1) and tighten to **2.5N•m (22 lb in)**.
4. Connect the electrical connector.
5. Check function of rear body structure stop lamp.
6. Reinstall previously removed components.
7. Repeat procedure for other rear body structure stop lamp.