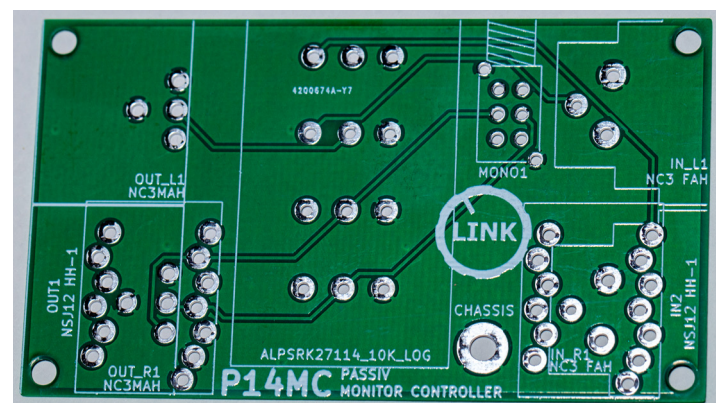
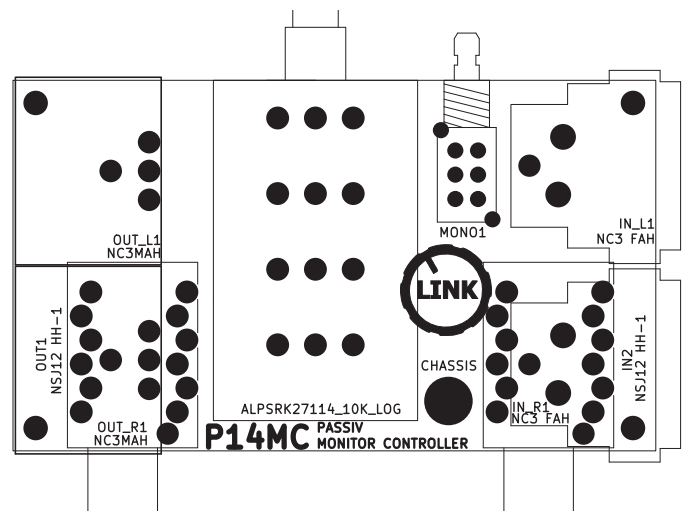


P14MC

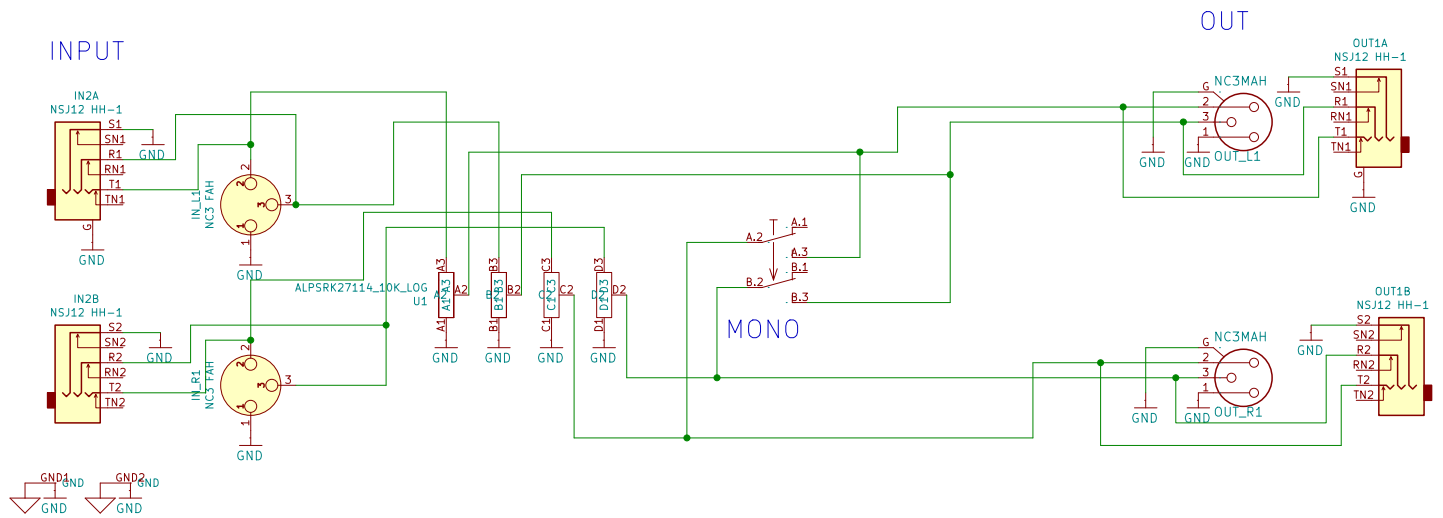
Let me introduce this Mini Project. It's basically a small Stereo Passive Monitor Controller. It basically works with one QUAD 10K Logarithmic Potentiometer to regulate the level. The Signal comes in Balanced either with XLR or 1/4 Jack. We added a switch for send a MonoSum Signal to the Outputs. The unit don't need a Power Supply. We have designed this Project in Business Card Format 85x55mm. In this Sheet you get Schematic, BOM and Overlay. In the Future we will add 3D Files for printing your own case with a 3D Printer. Have Fun!

PCB layout for reference



DISCLAIMER: Proceed at your own risk. I am not liable for any damage, harm or loss of any kind resulting from the assembly and/or use of this PCB set. Safety provisions should always be exercised whenever working with any electronics. The following instructions are guidelines only. I can make no guarantee of the accuracy of contents contained within this document.

Schematics



Bill of Materials (BOM)

#	PART NAME	TYPE OF PART	COUNT	VALUE
1	IN_R1,IN_L1	XLR_Neutrik_NC3FAH1	2	NC3 FAH
2	OUT_L1,OUT_R1	XLR_Neutrik_NC3MAH	2	NC3MAH
3	U1	ALPSRK27114_10K_LOG	1	POT
4	OUT1,IN2	Jack_1/4_Neutrik_NSJ12HH-1_Horizontal	2	NSJ12 HH-1
5	MONO1	612-LC2255EENP	1	MONO