

USER'S MANUAL



B601\B602\B603\B606
B601A\B602A\B603A\B606A

Statement:

1. For maintenance of this product, only the controller's manufacturer or authorized qualified maintenance people are allowed for operation, otherwise, the product will not enjoy free warranty, and all losses incurred therefrom will not be born by our company.
2. This manual is for reference only. The designs and instructions included in this manual are subject to change and update without prior notice. The manufacturer owns the right of interpretation of this manual for any missing points or errors.

Contents

▪ Preface	1
▪ Matters for attention in terms of safety	1
▪ Matters for attention in installation and use	1
▪ Structural illustration of B601 and B601A	2
▪ Structural illustration of B602\B602A\B606\B606A	3
▪ Structural illustration of B603 and B603A	4
▪ Cross sectional illustration of aluminum materials	5
▪ Cross sectional illustration of adhesive tape	5
▪ Recommendation tool (user-owned)	5
▪ Installation of screws	5
▪ Electric indices	6
▪ Water and supply installation illustration of B601\B601A	6
▪ Water and supply installation illustration of B602\B602A	7
▪ Water and supply installation illustration of B606\B606A	8
▪ Water and supply installation illustration of B603\B603A	9
▪ Installation procedures of B601\B601A\B602\B602A\B606\B606A	10
▪ Rod usage	17
▪ Installation procedures of B603\B603A	18
▪ Rod usage	24
▪ Operation instruction of BF600	25
▪ Function overview	25
▪ Control system consists of	25
▪ Control system features	25
▪ Remote controller features	25
▪ Controlled devices for controlled system	25
▪ Electronic control system BF600 installation and wiring principle diagram	26
▪ BF600 control system keys description	27
▪ Remote controller keys description	28
▪ Computer LCD description	28
▪ BF600 control panel function description	29
▪ Faults	32
▪ Troubleshooting	33
▪ Maintenance	33
▪ Notes for use of foldable tool	34
▪ Conversion table	35

Preface

Thank you for selecting massage bathbathtub series of our company. For the sake of your benefit, please carefully read the manual before installing and using the product, and mind the following instructions.

1. We will provide quality warrant service for you. In order to guard your benefit, please carefully fill in the Product Warrant Card. If you require other services, please directly contact the distributors or our company.
2. Our warrant service doesn't include the damages or faults caused by incorrect installation by yourself or operation which is not described in the User's Manual.
3. It is strongly suggest to use the original parts of our company in order to enable the product to achieve the best performance.

Precautions in installation

⚠ Danger: This symbol is used to remind users that the product bears dangerous voltage!

⚠ Alarm: This symbol is used to remind users that the product is attached with important operation and maintenance description!

1. The electrical installation and testing of this product have to be done by qualified electricians or professionals appointed by the dealers.
2. The electrical sources connected to the product must comply with national safety standards and the voltage as well as frequency of the power shall be compatible with this product. The facility must be installed along with protection circuitries such as leak electricity protection switch, over current and overload fuse etc. and the normal operation of these units shall be ensured.
3. Upon installation and application, it is strictly prohibited to cut off any lead connection of the product and to take apart computerized master controller and control panel (the computerized master controller and control panel contain no parts dismountable by users themselves). Our company shall assume no responsibility for any fault, leak electricity or electric shock accident caused by the foresaid false actions.
4. Users have to use power cords in compliance with GB 3 x 2.5mm² or those with bigger diameter.
5. Users have to purchase air switches or creepage switches in compliance with the national standard (GB) of 30A or above.
6. The controller installation should carry out installation from having the special field qualification personnel strictly according to assembling explanation.
7. It is strictly prohibited to elongate power line without professional permission and motor shall have reliable grounding with at least 1mm² steel-core wire.
8. Prior to installation of the product, please first be sure that you have well prepared water supply, power supply and sewers on the site for installation. G1/2" pipe thread cold and hot water connectors are employed for the water supply. To facilitate maintenance in the future, it is suggested that you install a triangle maintenance valve. 220V-240V~, 50Hz/60Hz power supply is employed. For electrical connection, please refer to the electrical performance parameters table. bathtubs with an outer diameter of 11/4" (φ42mm) are employed for the drainage pipes of the products with the parameters. Please be sure that they can be connected with your sewer pipelines.
9. After unpacking the package, please carefully check if the parts are complete, if they are damaged in transportation. If you have any other problems, please contact the distributor or our company.
10. The floor or the surface will load the total weight of the bathbathtub+water+the user, make sure that the installation position is solid enough.

Matters for attention during use and maintenance

1. Trip test of the leak electricity protector shall be carried out prior to each application.
2. The controller installation should carry out installation from having the special field qualification personnel strictly according to assembling explanation.
3. Children are forbidden using the massage bathtub without guardians.
4. Aged and disabled people shall be very careful with using the massage bathtub.
5. When laying up the product, please maintain a ventilated, dry condition free of corrosive gas and cut off power and water supply.
6. For storage, please do not place the upside down or slant the product and no sundries shall be piled up on it. Please do not put it together with methanoic acid and/or formaldehyde organic solvents. Handle gently and make it free from heavy burden, fierce shake and hit.
7. Non-professional shall not carry out the installation. In case of power line damage or quality issue of the product, please ask professional for help.
8. Organic solvents and strong acidic chemical substances like acetone, ammonia and gasoline shall dissolve the acrylic parts and plated pieces. Therefore, please prevent the product from contacting the similar substances in the course of installation.

The company is not held responsible for any results caused by users' violation of the above-mentioned operation specifications.

Structural illustration of B601 and B601A

Structural illustration of B602\B602A\B606\B606A

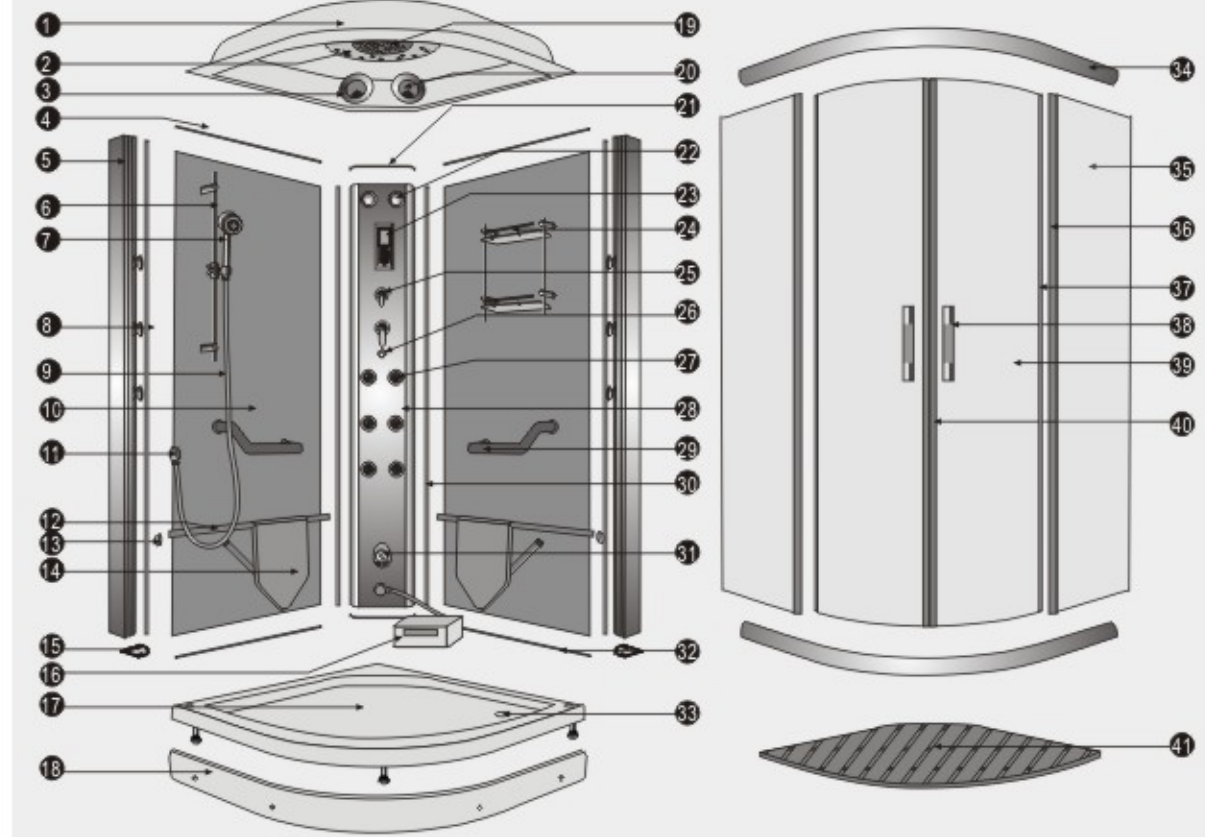
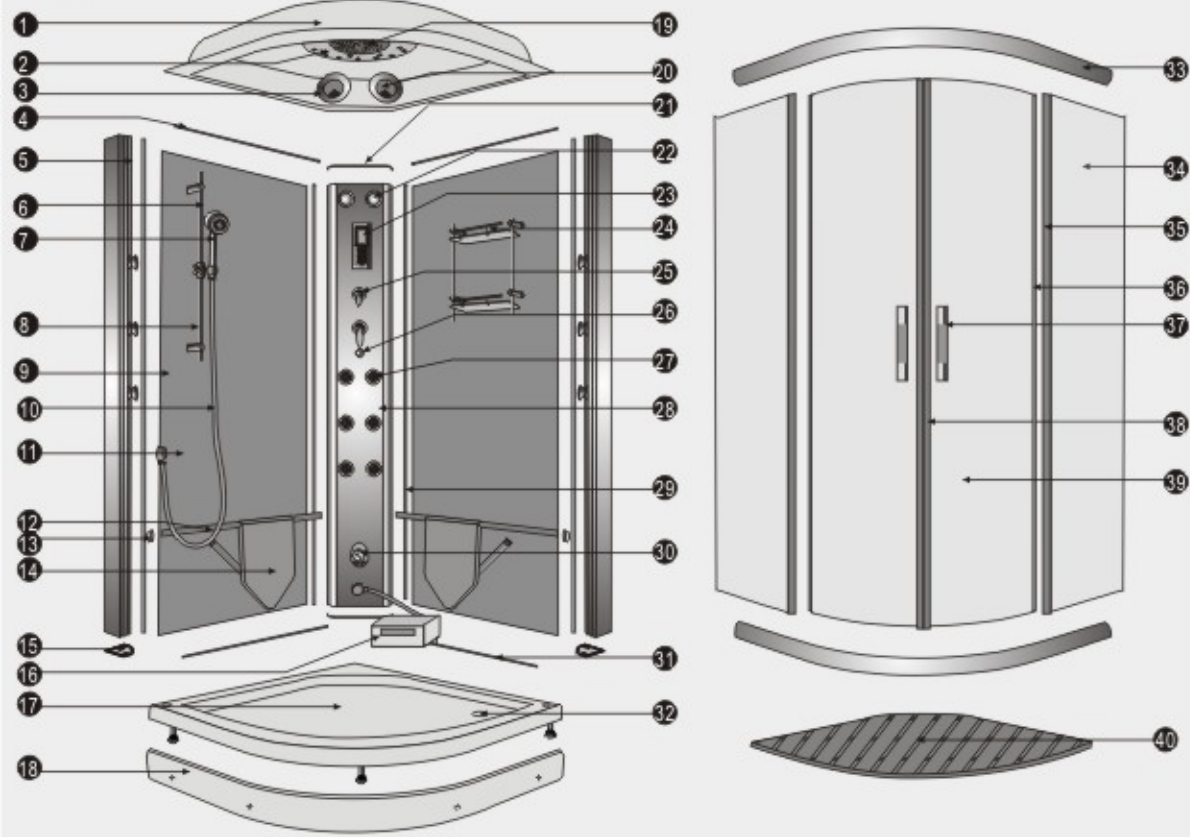
- 1 Top cover
- 2 Starry lights
- 3 Fan
- 4 305B diamond waterproof tape
- 5 FN002 aluminum materials
- 6 71 copper lifting support
- 7 Shower head
- 8 Big eight-hole shower head
- 9 Coated Glass (Note : Ex B601 band network)
- 10 Silver pipe
- 11 Shower head water supply connection bas
- 12 Stainless steel beam
- 13 Watertight beam
- 14 Foldable desk
- 15 FN002 aluminum rubber pad
- 16 Feet massaging device
- 17 Bottom basin
- 18 Apron plate
- 19 D290 top spout
- 20 Speaker
- 21 Fn001 aluminum rubber pad
- 22 917 light
- 23 Computer board
- 24 Dual-layer rack
- 25 Single handle
- 26 Cleaning cover
- 27 Cow-eye shower head
- 28 FN001 aluminum material
- 29 Single-side adhesive tape
- 30 Medical bathing box
- 31 307 waterproof adhesive tape
- 32 Draining device
- 33 FN004A aluminum material
- 34 Fixed glass door
- 35 FN006 aluminum material
- 36 304 waterproof adhesive tape
- 37 Stainless steel handle
- 38 LC-13 aluminum material
- 39 Activities glass door
- 40 Wooden floor---only B601

- 1 Top cover
- 2 Starry lights
- 3 Fan
- 4 305B diamond waterproof tape
- 5 FN002 aluminum materials
- 6 71 copper lifting support
- 7 Shower head
- 8 Big eight-hole shower head
- 9 Coated Glass (Note : Ex B602\B606 band network)
- 10 Silver pipe
- 11 Shower head water supply connection bas
- 12 Stainless steel beam
- 13 Watertight beam
- 14 Foldable desk
- 15 FN002 aluminum rubber pad
- 16 Feet massaging device
- 17 Bottom basin
- 18 Apron plate
- 19 D290 top spout
- 20 Speaker
- 21 Fn001 aluminum rubber pad
- 22 917 light
- 23 Computer board
- 24 Dual-layer rack
- 25 Single handle
- 26 Cleaning cover
- 27 Cow-eye shower head
- 28 FN001 aluminum material
- 29 Handrails
- 30 Single-side adhesive tape
- 31 Medical bathing box
- 32 307 waterproof adhesive tape
- 33 Draining device
- 34 FN004A aluminum material
- 35 Fixed glass door
- 36 FN006 aluminum material
- 37 304 Cwaterproof adhesive tape
- 38 Stainless steel handle
- 39 Activities glass door
- 40 LC-13 aluminum material
- 41 Wooden floor---only B602、B606



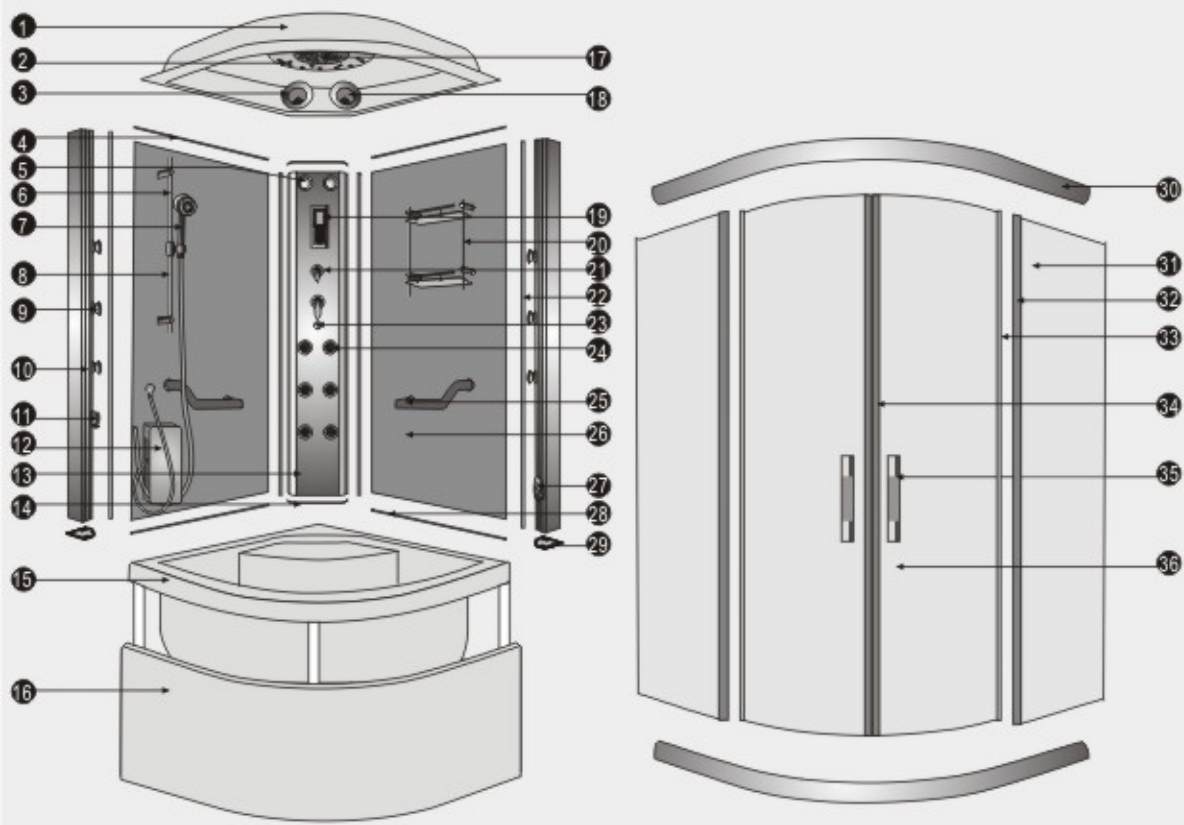
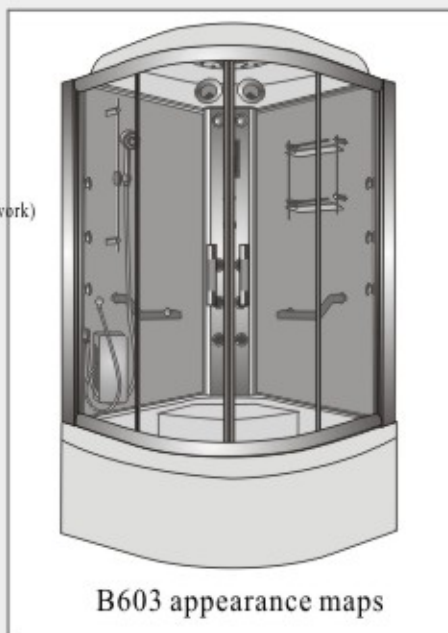
B601 appearance maps

B602\B606 appearance maps

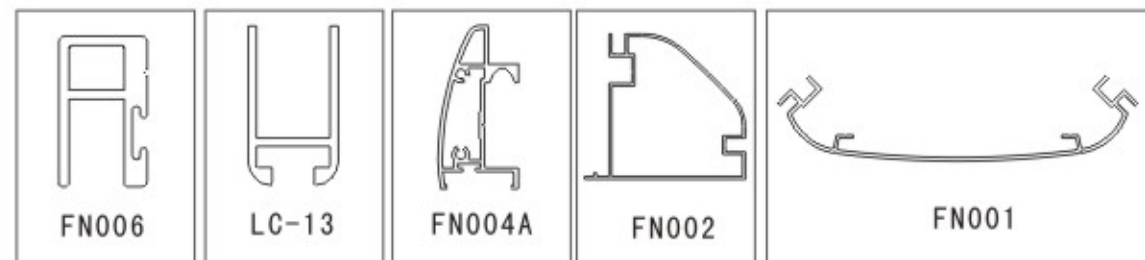


Structural illustration of B603 and B603A

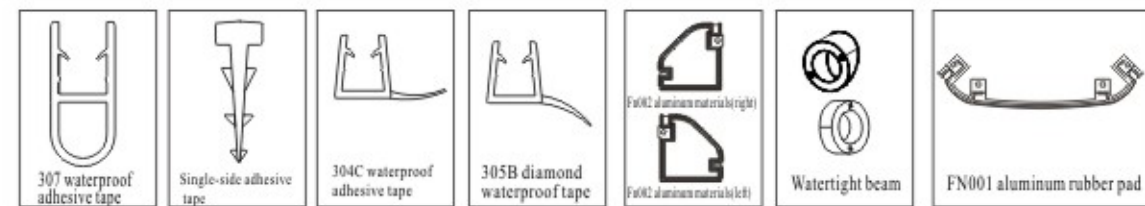
- 1 Top cover
- 2 Starry lights
- 3 Fan
- 4 305B diamond waterproof tape
- 5 917 light
- 6 71 copper lifting support
- 7 Shower head
- 8 Silver pipe
- 9 Big eight-hole shower head
- 10 FN002 aluminum materials
- 11 Shower head water supply connection has
- 12 Feet massaging device
- 13 FN001 aluminum material
- 14 FN001 aluminum rubber pad
- 15 Cylinder
- 16 Apron plate
- 17 D290 top spout
- 18 Speaker
- 19 Computer board
- 20 Dual-layer rack
- 21 Single handle
- 22 Single-side adhesive tape
- 23 Cleaning cover
- 24 Cow-eye shower head
- 25 Handrails
- 26 Coated Glass (Note : Ex B601 band network)
- 27 Medical bathing box
- 28 307 waterproof adhesive tape
- 29 FN002 aluminum rubber pad
- 30 FN004A aluminum material
- 31 Fixed glass door
- 32 FN006 aluminum material
- 33 304 C waterproof adhesive tape
- 34 LC-13 aluminum material
- 35 Stainless steel handle
- 36 Activities glass door



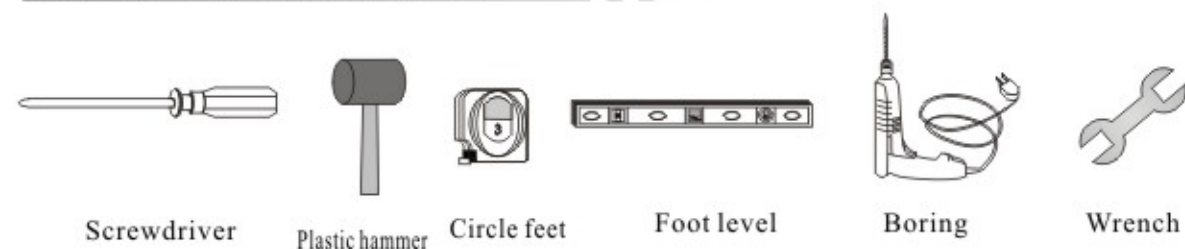
Cross sectional illustration of aluminum materials



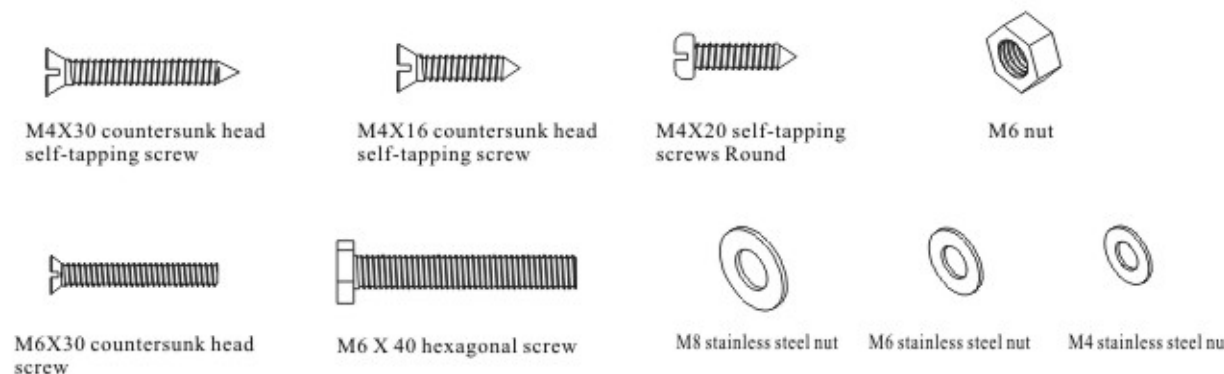
Cross sectional illustration of adhesive tape



Recommendation tool (user-owned)



Installation of screws



Electrical parameters

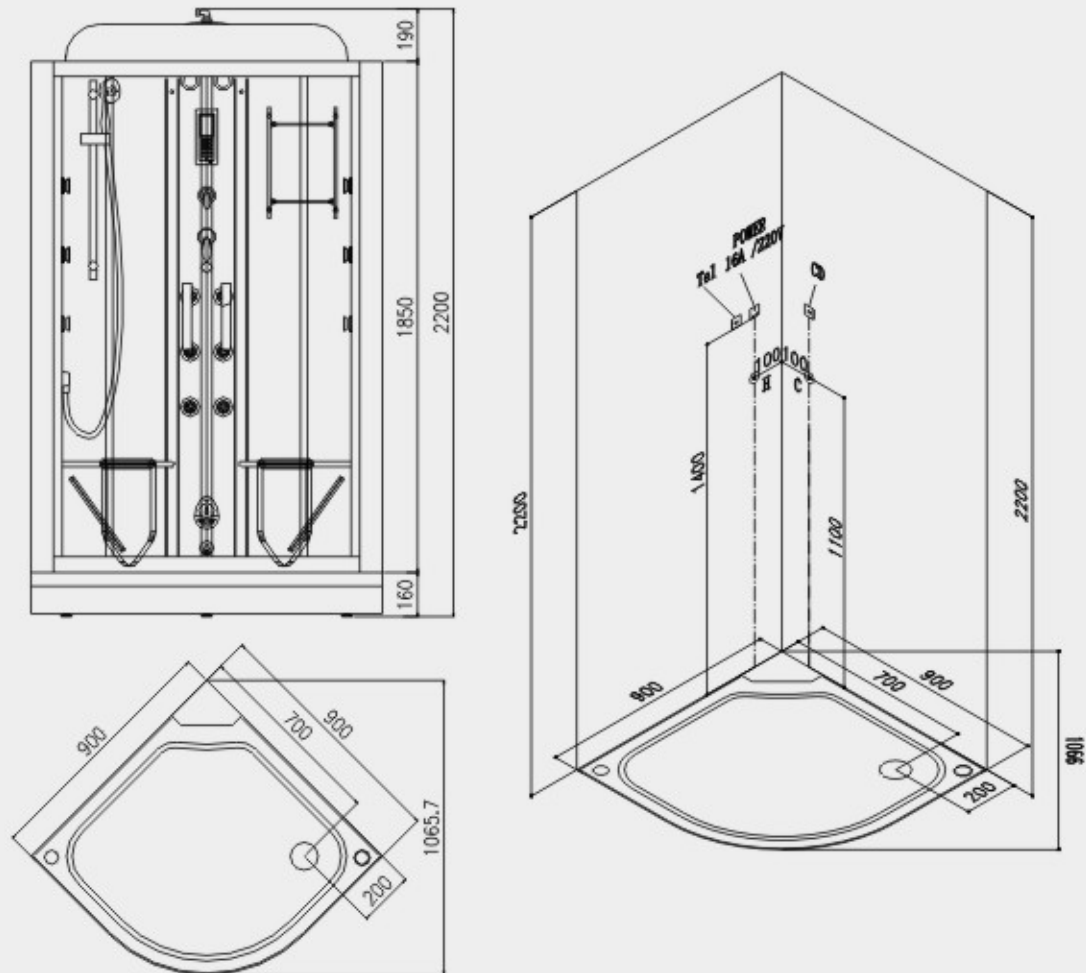
Power supply		Steaming machine parameters				
Voltage	Frequency	Model	Rated power	Current	Waterproof grade	Anti electric shock grade
AC220V/240V	50/60Hz	BF600	3kw	13.1A	IPX4	Grade 1

Water and supply installation illustration of B601\B 601A

B601\B601A: 900X900X2200

Unit: mm

The zero line, live line, and grounding line of indoor power sockets have to be in strict compliance with standard configurations. Prior to connecting hot and cold water pipes, please connect the corresponding pipes on the backplane, and secure them.

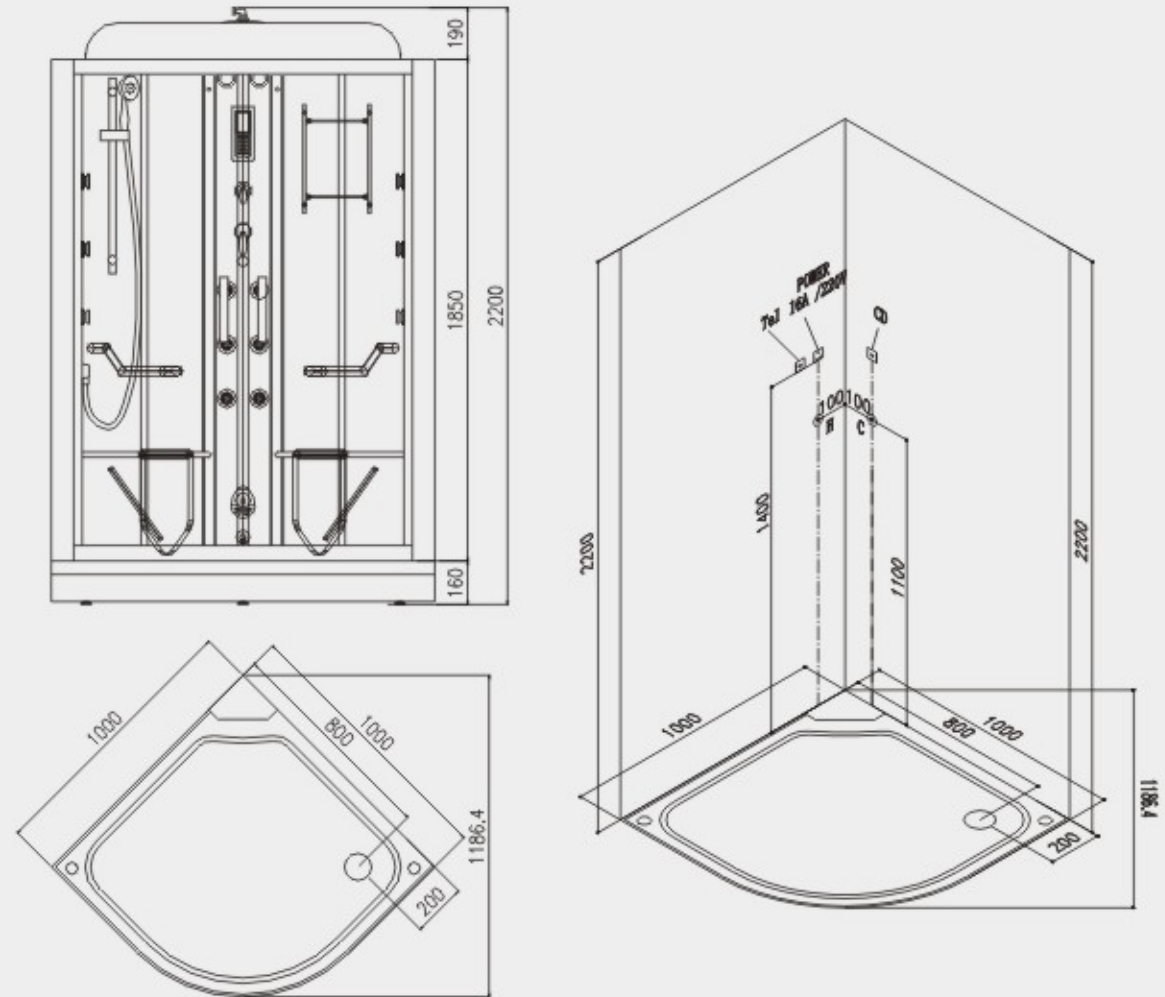


Water and supply installation illustration of B602\B 602A

B602\B602A: 1000X1000X2200

Unit: mm

The zero line, live line, and grounding line of indoor power sockets have to be in strict compliance with standard configurations. Prior to connecting hot and cold water pipes, please connect the corresponding pipes on the backplane, and secure them.



Water and supply installation illustration of B606\B 606A

Water and supply installation illustration of B603\B 603A

B606\B606A: 1100X1100X2200

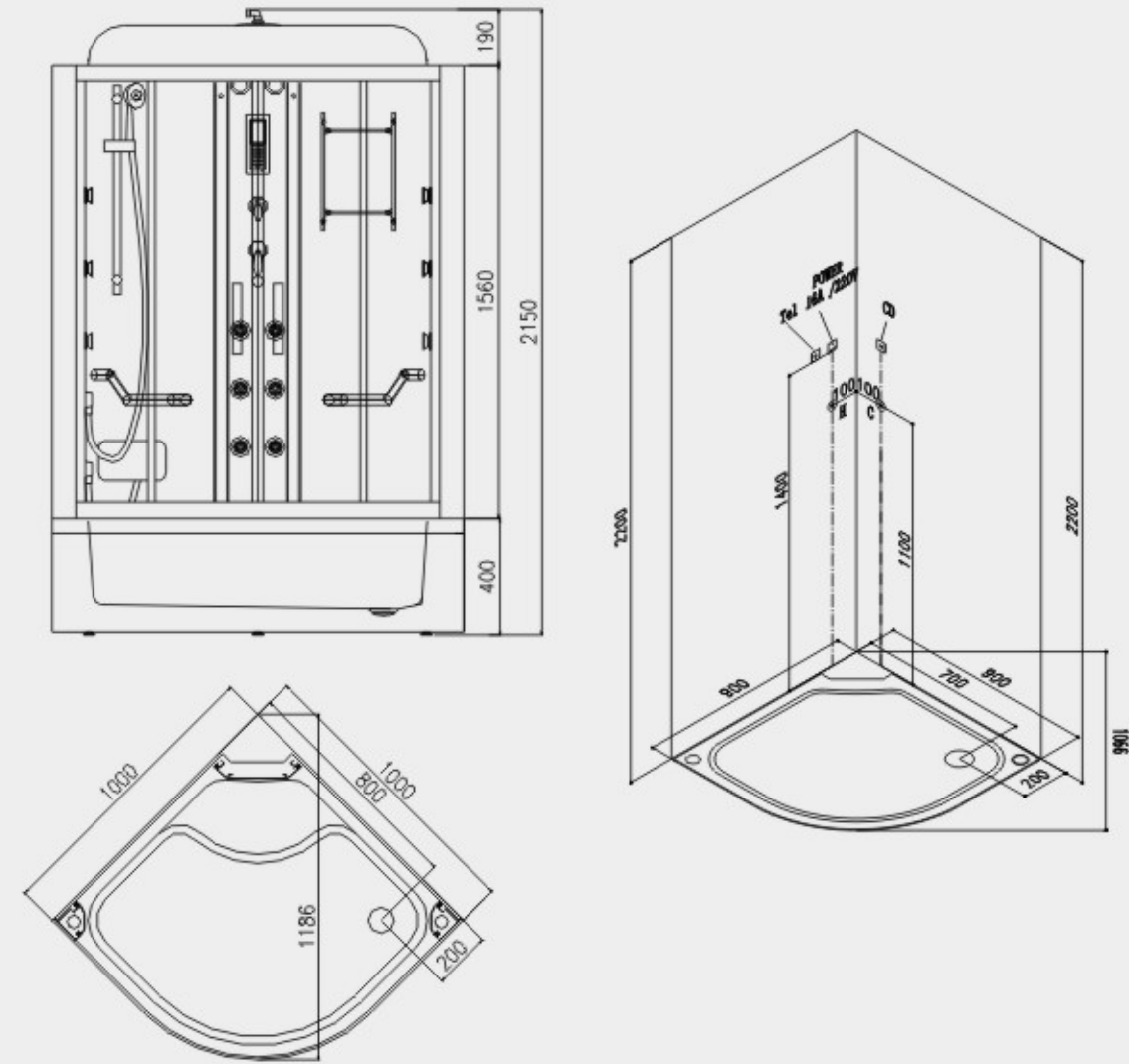
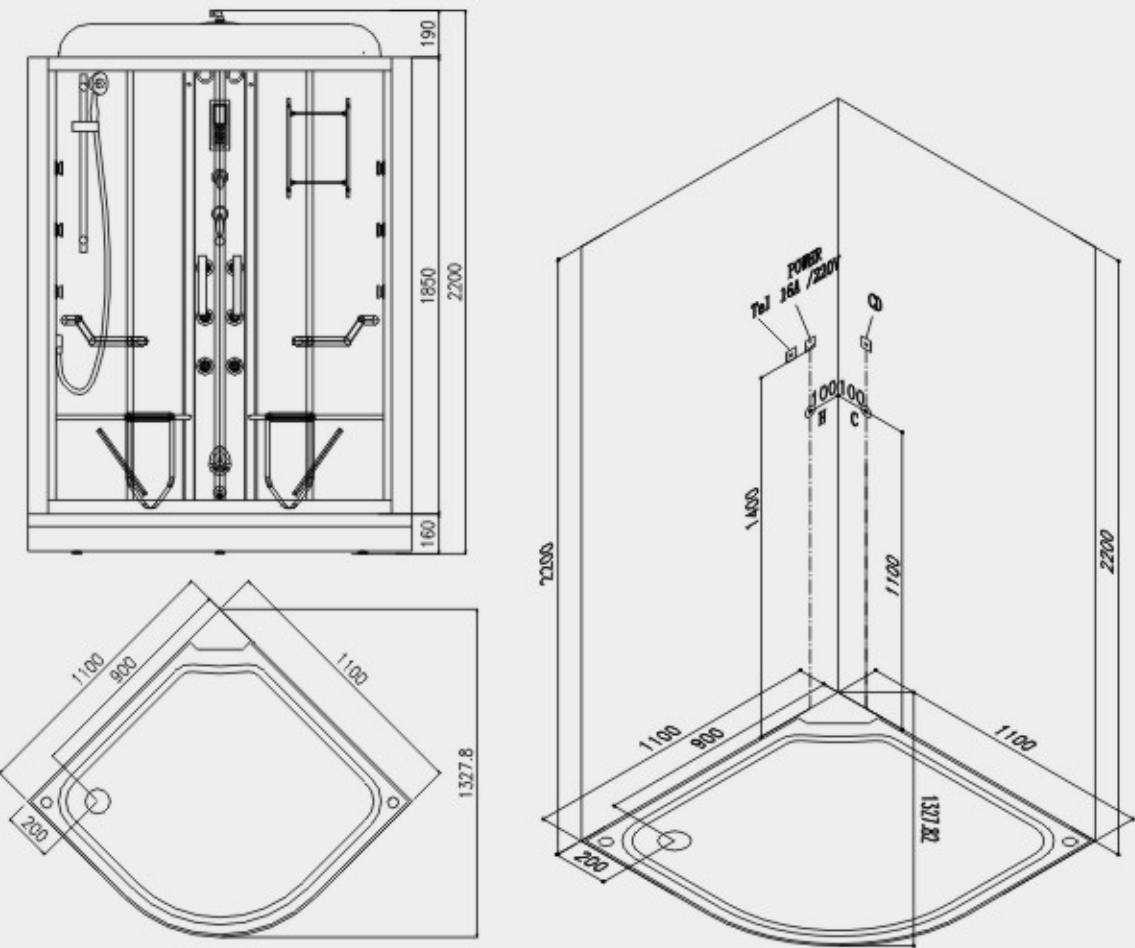
B603\B603A: 1000X1000X2150

Unit: mm

Unit: mm

The zero line, live line, and grounding line of indoor power sockets have to be in strict compliance with standard configurations. Prior to connecting hot and cold water pipes, please connect the corresponding pipes on the backplane, and secure them.

The zero line, live line, and grounding line of indoor power sockets have to be in strict compliance with standard configurations. Prior to connecting hot and cold water pipes, please connect the corresponding pipes on the backplane, and secure them.



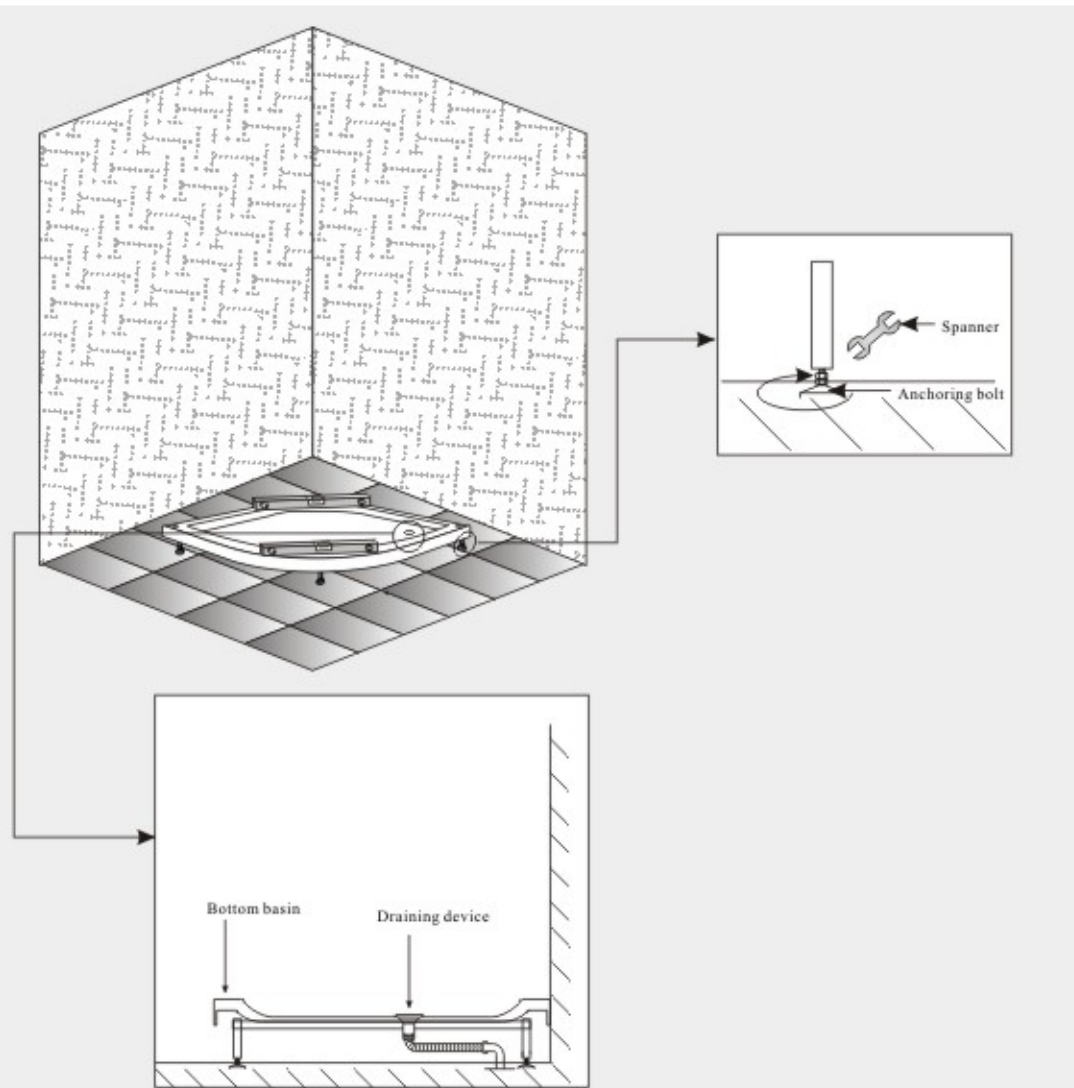
B601\B601A\B602\B602A\B606\B606A

Installation procedures

I. Bottom basin installation (Fig. 1):

1. Dismount apron plate: first remove the nuts and screws on the bottom basin apron, and then carefully remove the apron plate from the bottom basin with your hands.

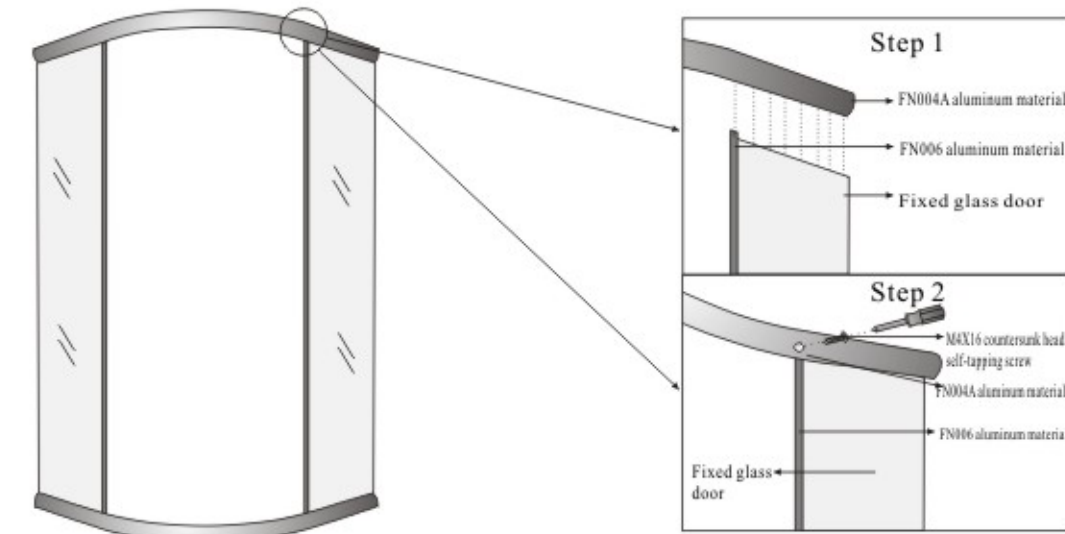
2. Install bottom basin: place the bottom basin at a predetermined place for installation, be sure that the edge of the bottom basin is as close to the wall as possible, place the horizontal ruler on the surface of the bottom basin, use a spanner to adjust the anchoring bolts of the bottom basin up to the surface level, so that there is no swing for the bottom basin. Check whether there is sufficient space for the drainpipes for connection with the drainage. To facilitate the following construction, you can move the bottom basin by a small margin, and then relocate it after installation.



(Fig. 1)

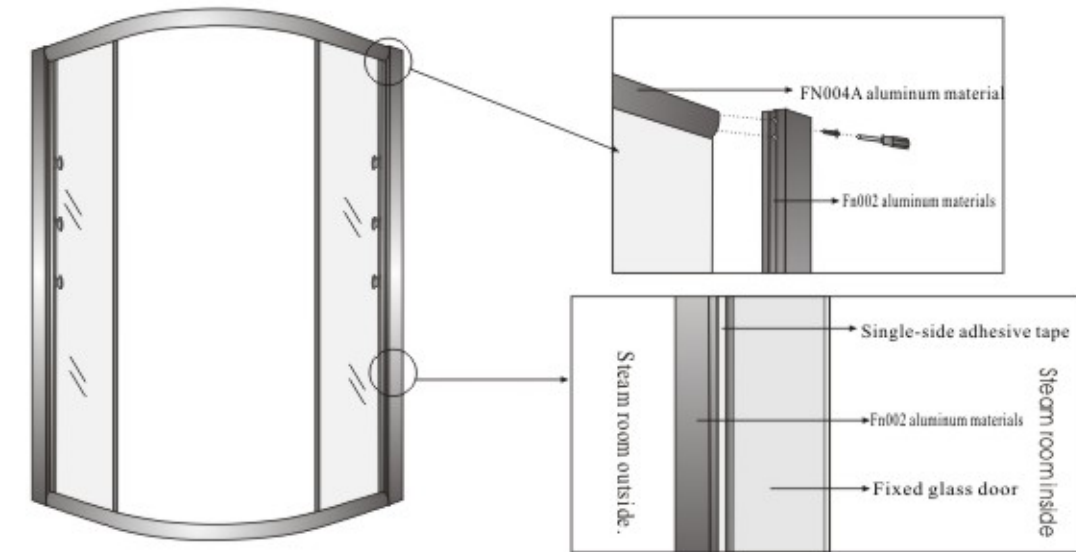
II. Glass door installation:

1. First get out aluminum material FN002, base aluminum FN004A, and FN006 aluminum materials such as that for fixing glass, then connect fixing glass on both sides with base aluminum FN004A (use M4 x 16 countersunk self-tapping screws for fixing), as shown in Fig. 2.



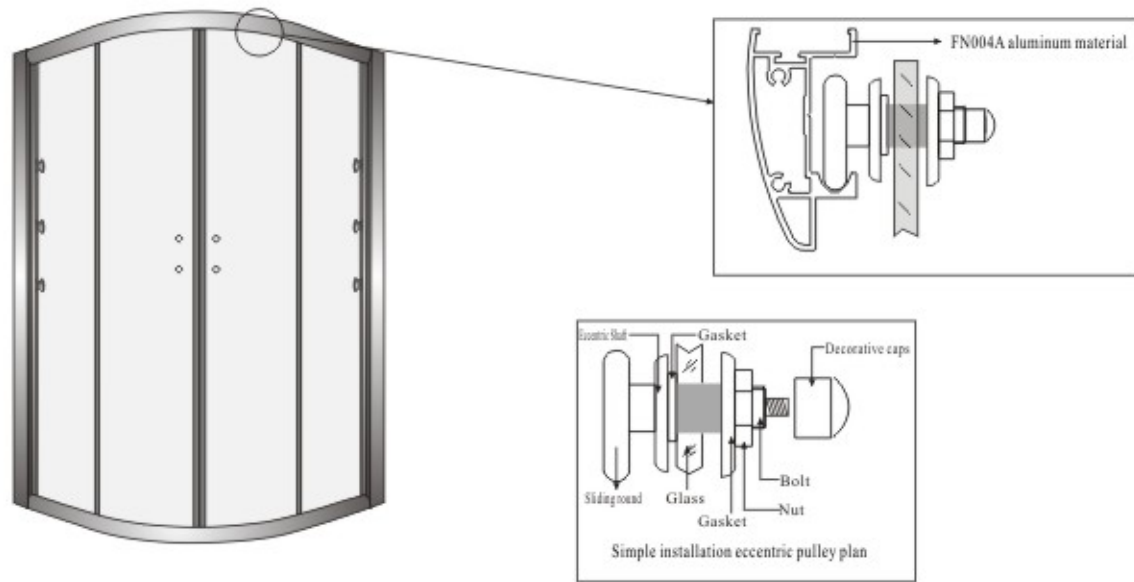
(Fig. 2)

2. Connect FN002 aluminum materials to both sides of FN004 elbow aluminums, use M4 x 30 countersunk self-tapping screws for fixing, and then apply single-side adhesive tapes after connection and securing, as shown in Fig. 3.



(Fig. 3)

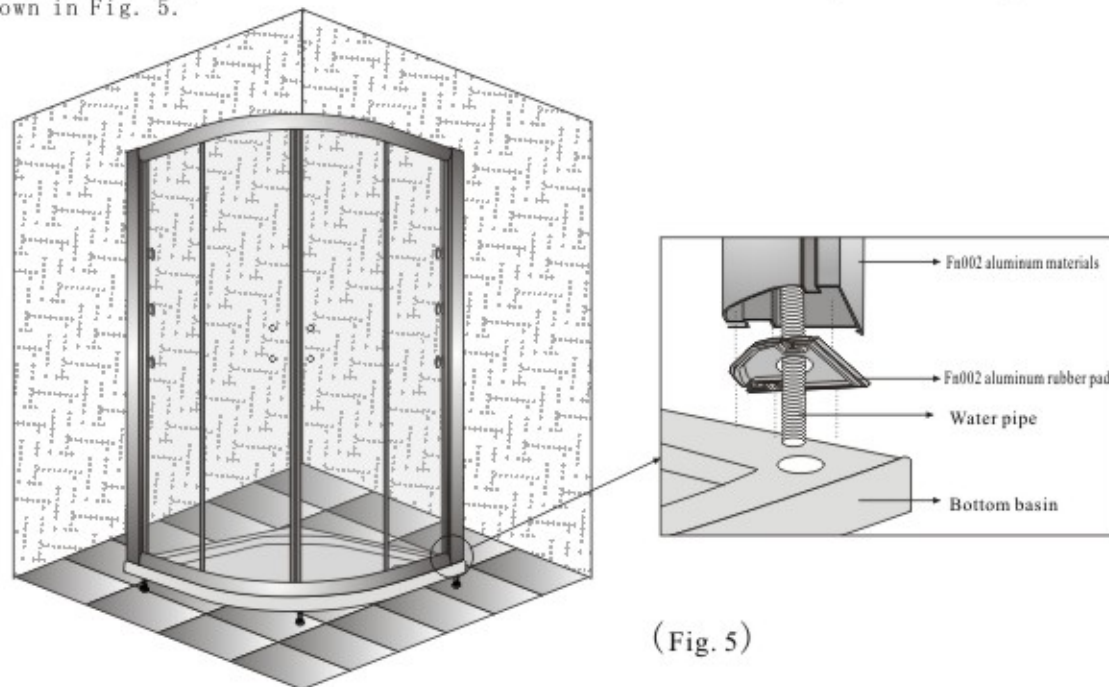
3. Get out the movable glass door, and apply the two pieces of movable glass (with pulleys) to the FN004A elbow aluminum slide rails, as shown in Fig. 4.



(Fig. 4)

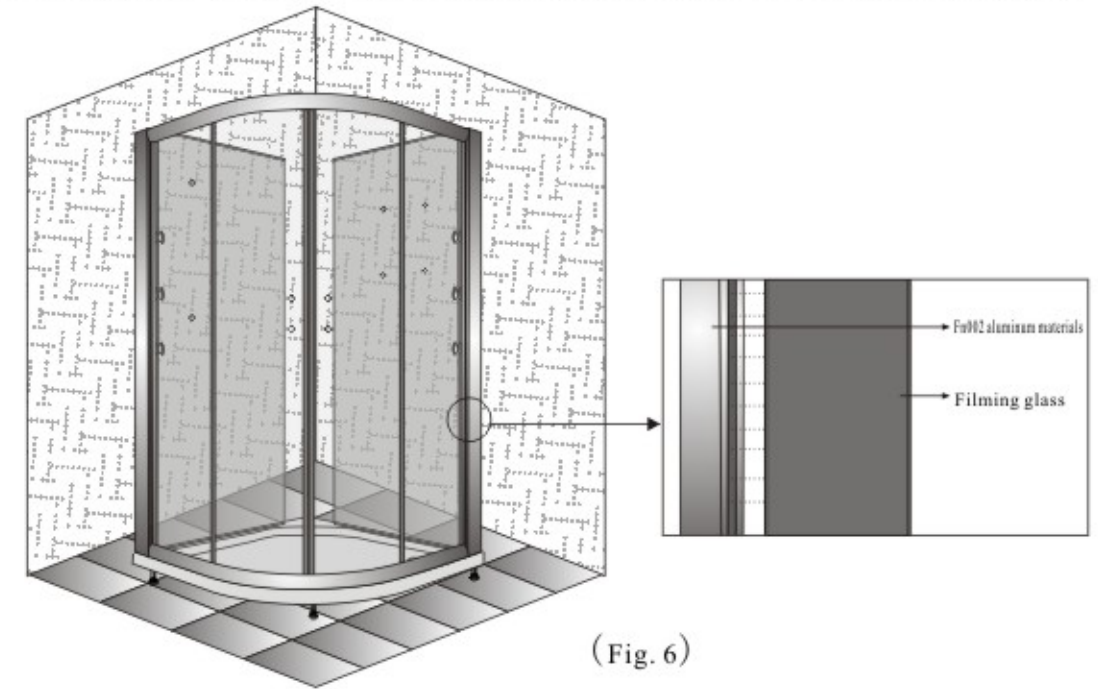
III. Chamber body installation

1. Apply rubber pads to the bottom of the FN002 aluminum materials of the preinstalled glass door, and then install the whole glass door onto the bottom basin. (Note: to install the glass door onto the bottom basin, first apply the FN002 iron column spout onto the water outlet pipelines of the bottom basin before installing the whole glass door, as shown in Fig. 5.



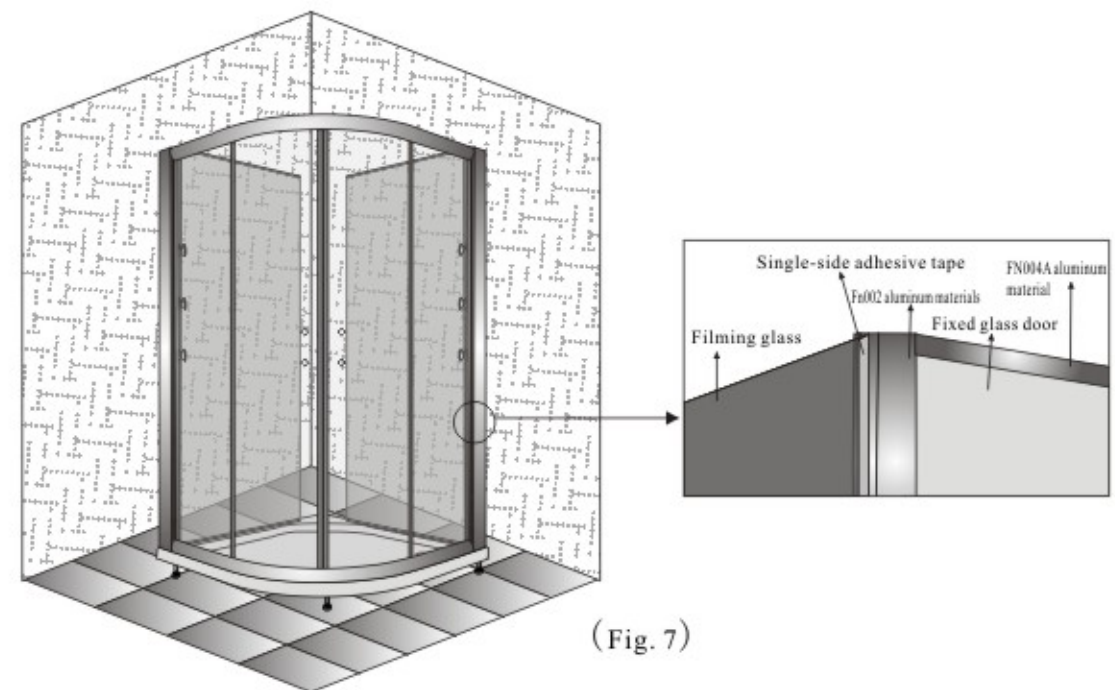
(Fig. 5)

2. Get out the filming glass, apply 305B diamond waterproof adhesive tapes onto the top of the filming glass, and 307 waterproof adhesive tapes to the bottom, then apply the filming glass onto the FN002 nozzle of the side aluminum materials of the glass door, as shown in Fig. 6. (Note: the filming glass is in the left and right directions).



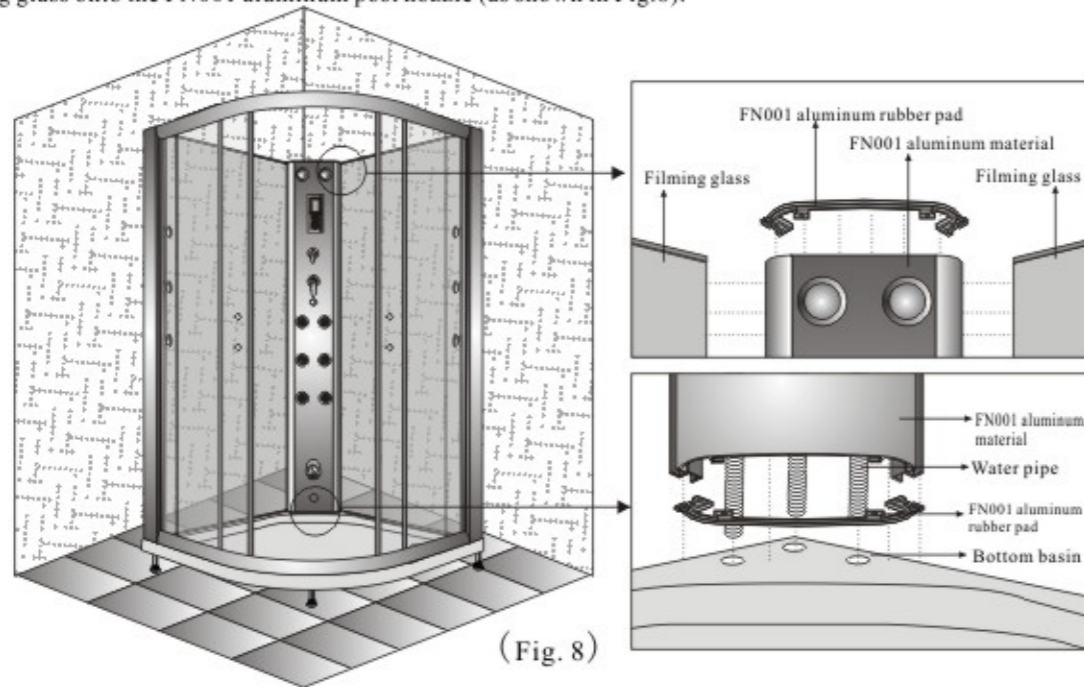
(Fig. 6)

3. After applying the filming glass, use a single-side adhesive tape for fixing. The installation of the filming glass on the other side is the same (as shown in Fig. 7).



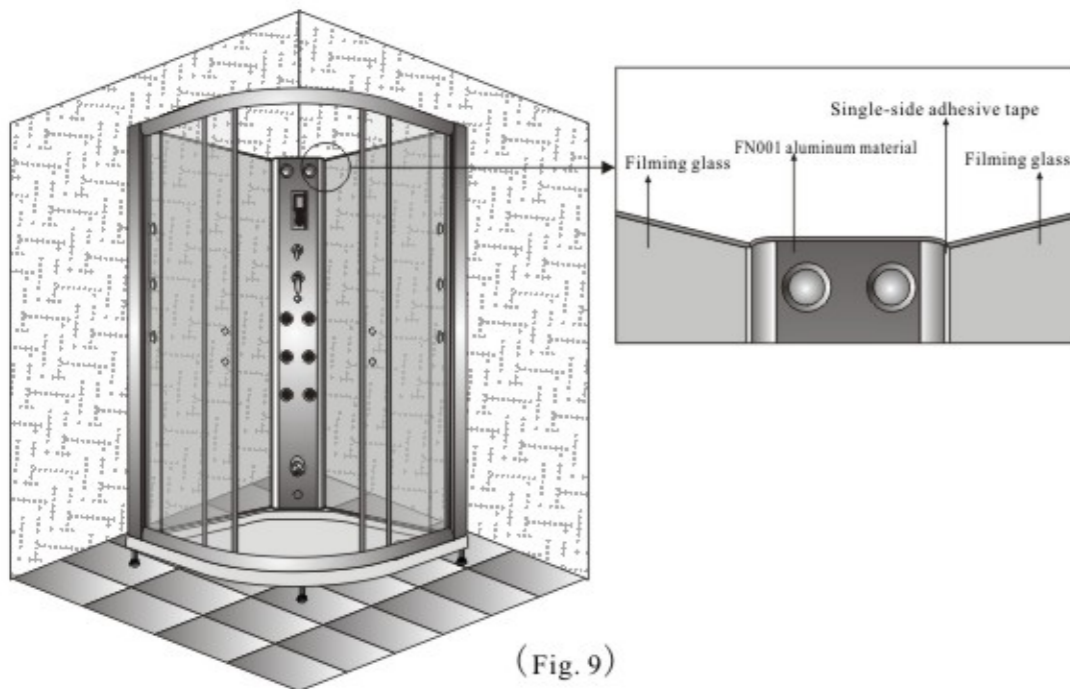
(Fig. 7)

4. Get out the FN001 aluminum post, apply rubber pads onto the top and bottom of the aluminum post (as shown in the figure), and then install it onto the chamber body. (Note: to install the FN001 aluminum materials, first apply the water pipe of FN001 aluminum post onto the water pipeline outlet, and then apply one side of filming glass onto the FN001 aluminum post nozzle (as shown in Fig.8).



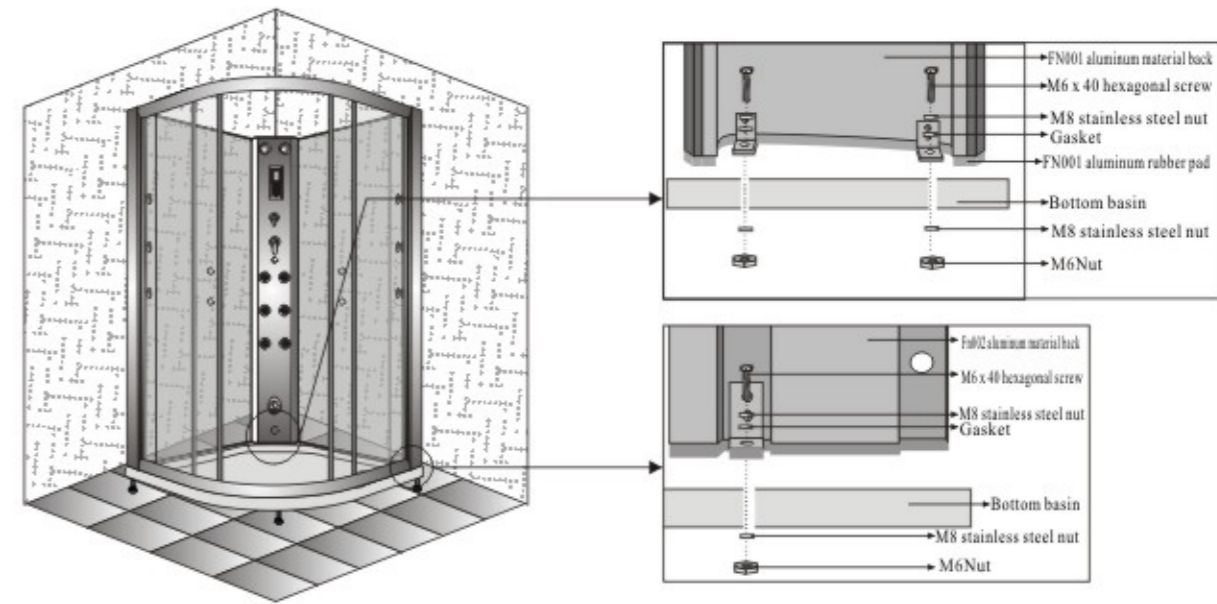
(Fig. 8)

5. After mounting FN001 aluminum posts, use a single-side adhesive tape for fixing, as shown in Fig. 9.



(Fig. 9)

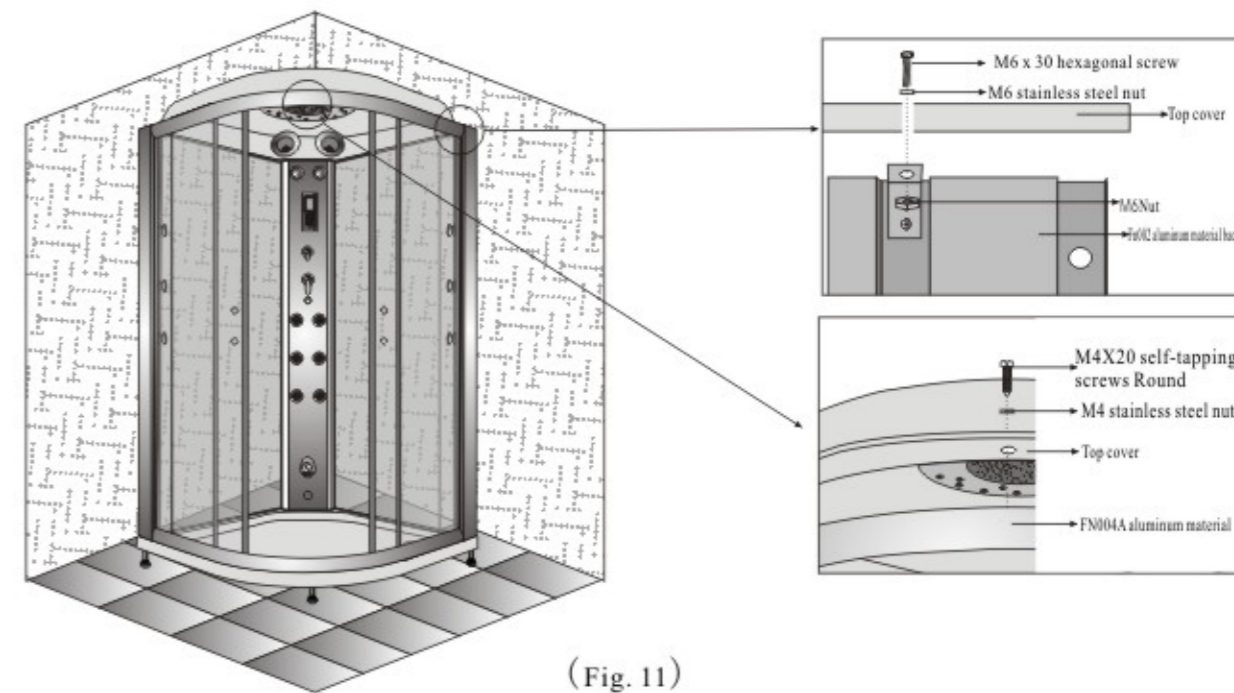
6. Fix the chamber body, use M6 x 40 hexagonal screws to connect the secure the chamber body with the bottom basin according to the corresponding holes, as shown in Fig. 10.



(Fig. 10)

IV. Top cover installation

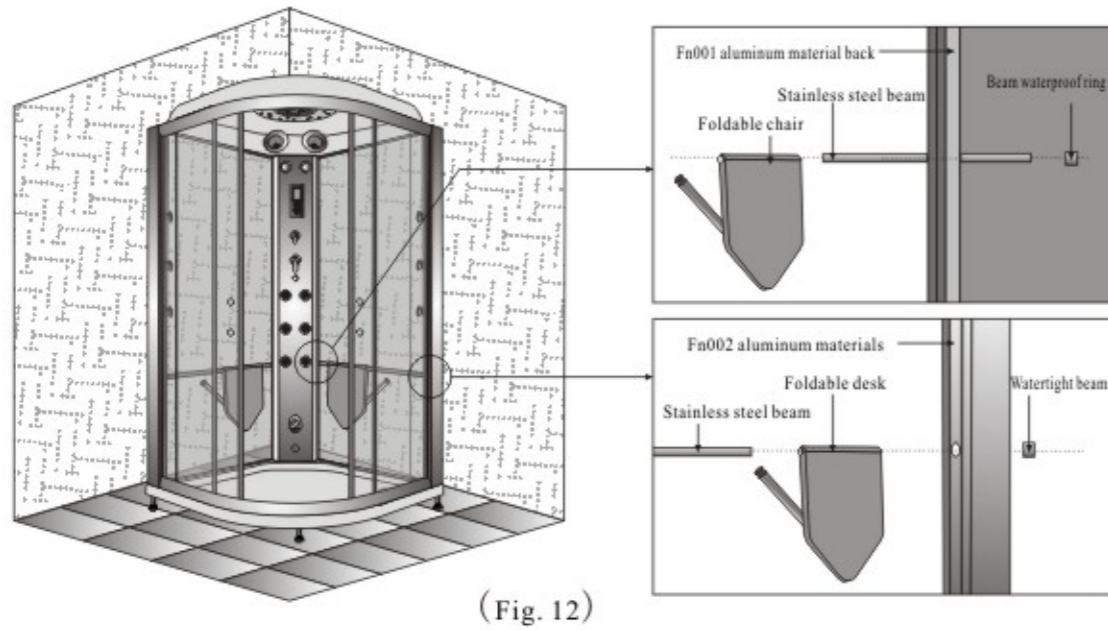
1. Get out the top cover, apply it to the chamber body, and fix it with screws according to corresponding holes, as shown in Fig. 11.
2. Connect the lamp wires of the top cover with the water pipes.



(Fig. 11)

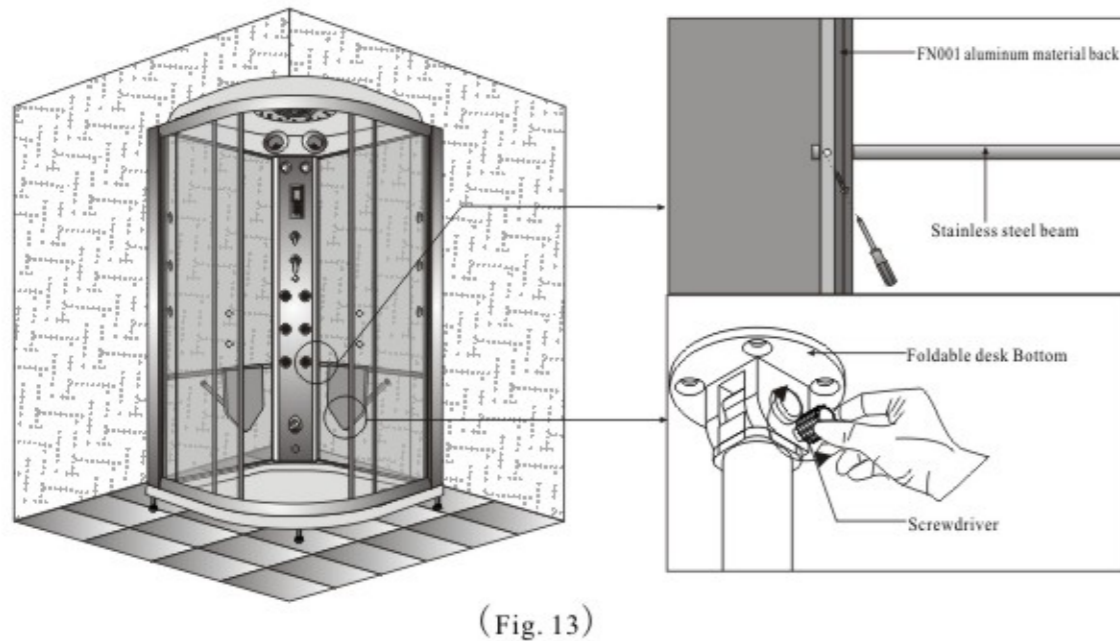
V. Chair installation

1. First thread the chair beam through the FN001 aluminum back, then apply the foldable chair, FN002 aluminum material, and apply the beam waterproof ring on both ends of the stainless steel beam, as shown in Fig. 12.



(Fig. 12)

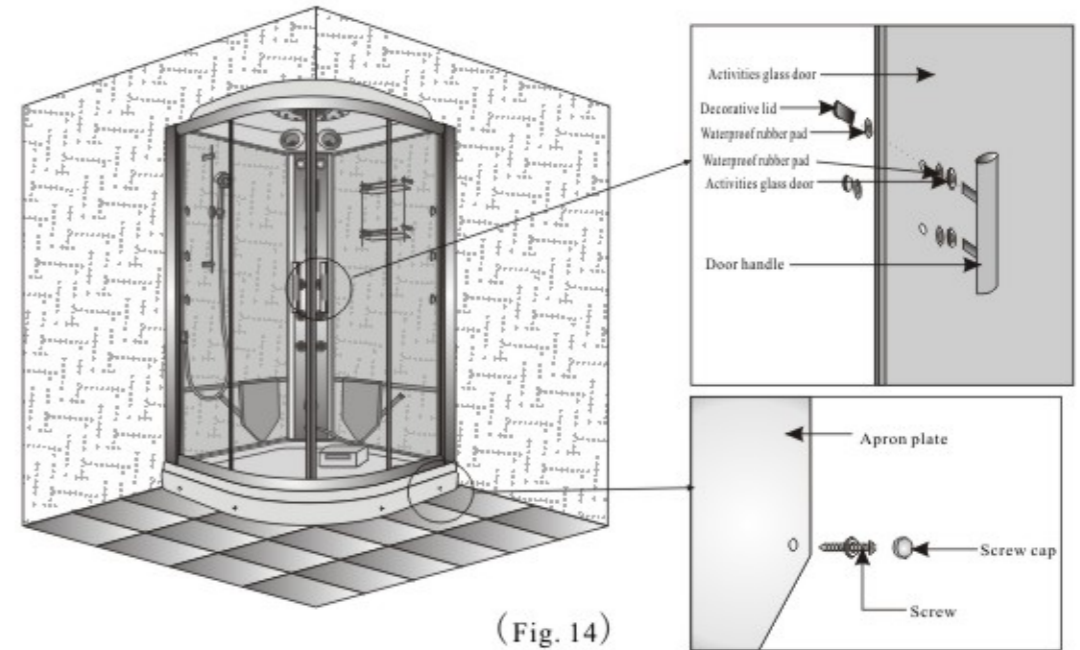
2. After the chair is applied, use M4 x 30 countersunk screws to fix both ends of stainless steel beams to the back of the FN001 aluminum back. Please make Foldable desk folded in tightening the screws to a fixed base folded Foldable desk. After use, first loosen the screw, back Foldable desk Fig. 13..



(Fig. 13)

VI. Parts installation

After the chamber body is installed, install the lifting support, shower head, support rack, foot massage device, and handle to the corresponding locations, as shown in Fig. 14.



(Fig. 14)

VII. Power and water check and connection

Please check whether the various installation procedures are in compliance with the above-mentioned requirements. Correctly connect the various power cords according to corresponding markings and directions. There shall be no loosening for various connecting plugs. After check, connect the power supply, check the various power and water supplies carefully, then open the water and power supplies, check whether the various functions are normal, and whether there is water leakage with the various connectors.

Note: 1. Please connect the power cords and connectors as indicated in the circuit diagram, avoid wrong and missing connection or reverse connection, otherwise, the computer board may be burnt.

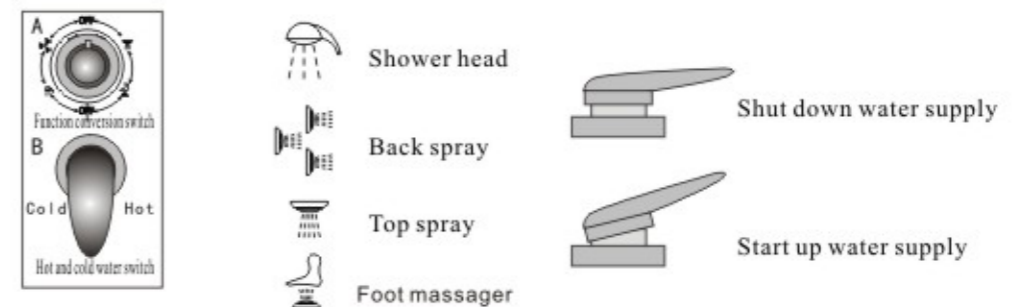
2. Be sure that there is no water entry or drop for the various connectors of the power cords.

3. Prior to installation and use, please use the radio antenna outdoors, so as to ensure better receive

VIII. Fix the apron plate, and move the steam chamber to the appropriate location.

Rod usage

A is a function conversion switch, and it is used to switch between shower head, back spray and top spray. B is the hot and cold water switch. Lift the hot and cold water switch, and the water supply is started. Press down the switch, and the water supply is off. Turn the rotation switch in the right and left to adjust the hot and cold water.



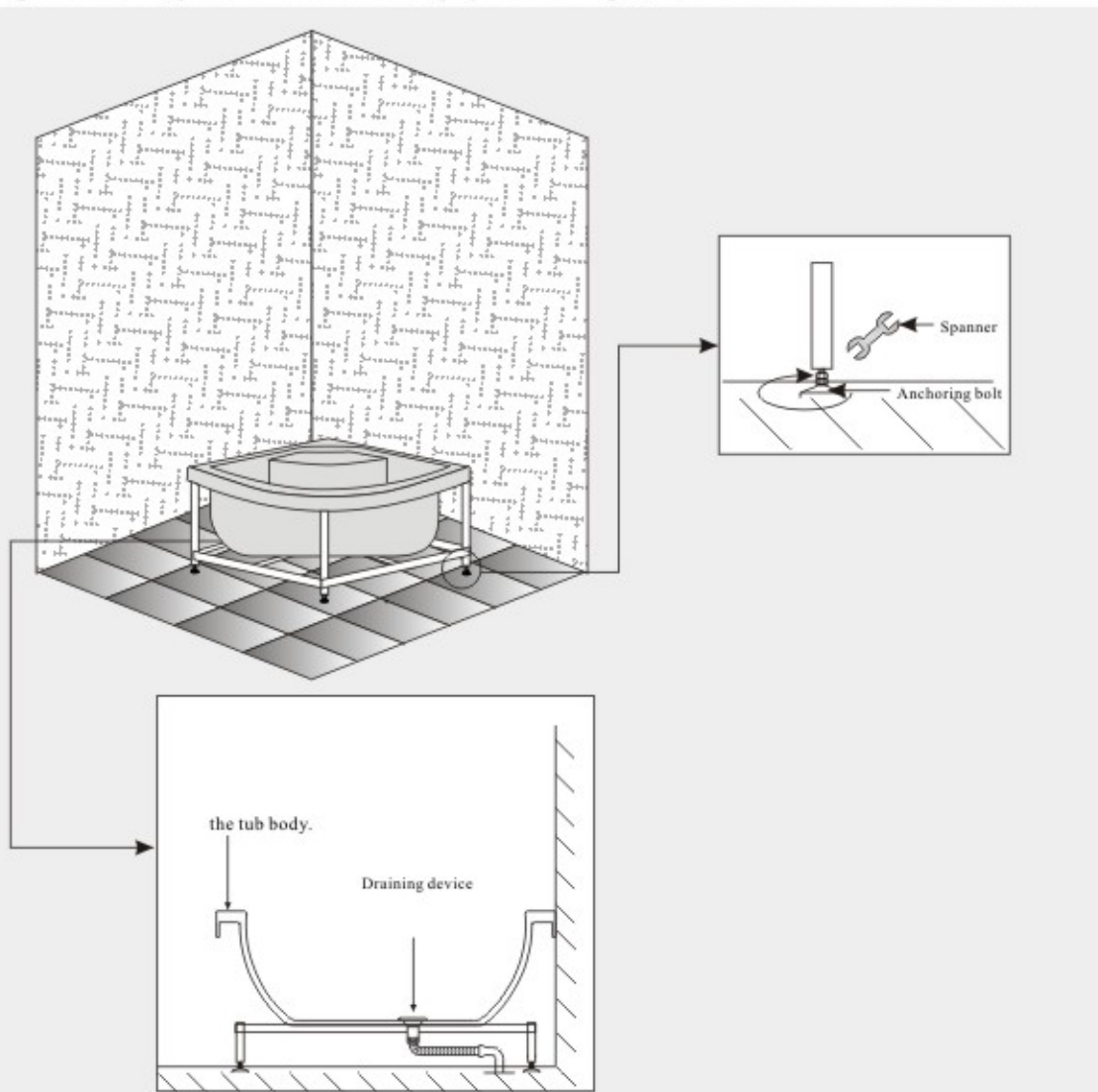
B603\B603A

Installation procedures

I. Tub installation (Fig. 1):

1. Dismounting the apron plate: first remove the screws and screw caps on the edge of the tub apron, and then use hands to remove the apron plate slightly from the tub body.

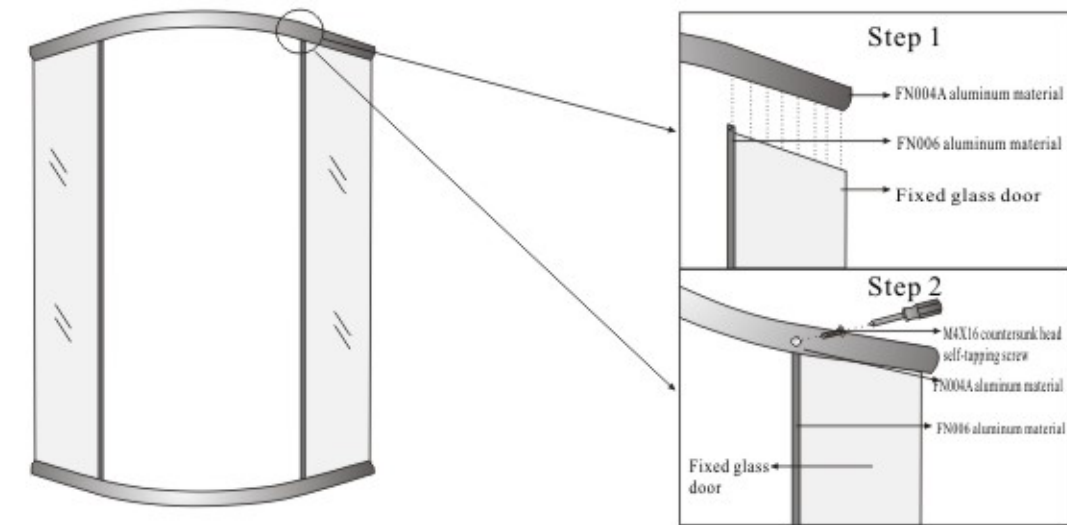
2. Bottom basin installation: place the tub body at a predetermined location, be sure that the tub body edge is as close to the wall as possible, place the horizontal ruler on the surface of the bottom basin, use a spanner to adjust the anchoring bolts of the bottom basin up to the surface level, so that there is no swing for the bottom basin. Check whether there is sufficient space for the drainpipes for connection with the drainage. To facilitate the following construction, you can move the tub body by a small margin, and then relocate it after installation.



(Fig. 1)

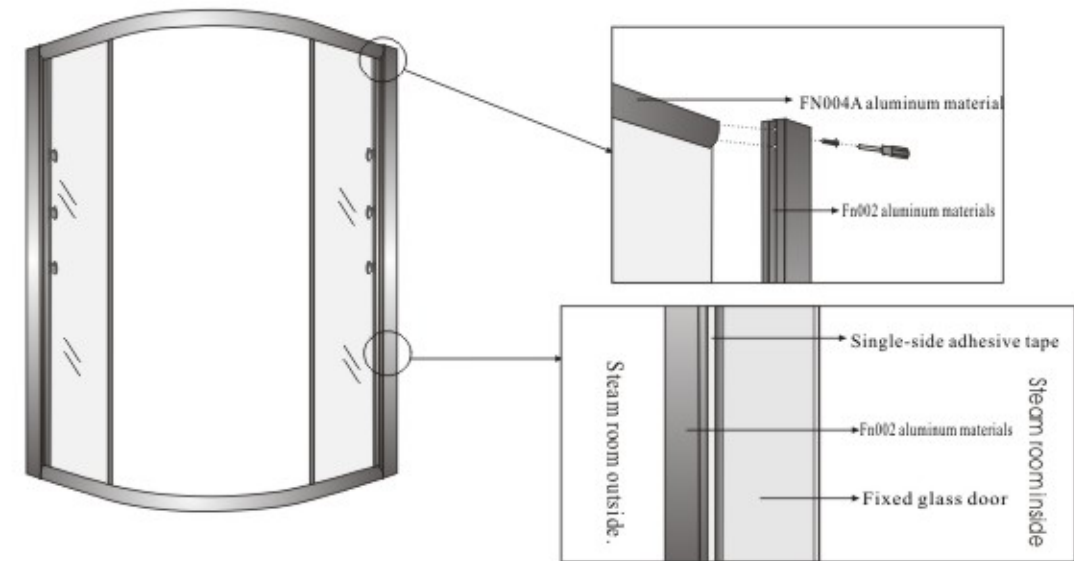
II. Glass door installation:

1. First get out aluminum material FN002, base aluminum FN004A, and FN006 aluminum materials such as that for fixing glass, then connect fixing glass on both sides with base aluminum FN004A (use M4 x 16 countersunk self-tapping screws for fixing), as shown in Fig. 2.



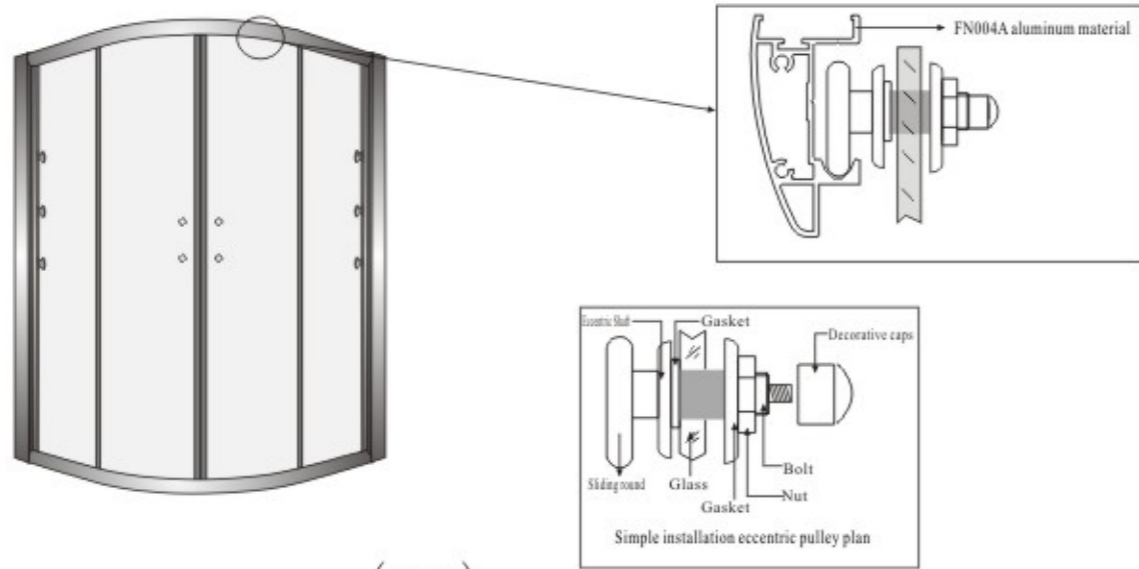
(Fig. 2)

2. Connect FN002 aluminum materials to both sides of FN004 elbow aluminums, use M4 x 30 countersunk self-tapping screws for fixing, and then apply single-side adhesive tapes after connection and securing, as shown in Fig. 3.



(Fig. 3)

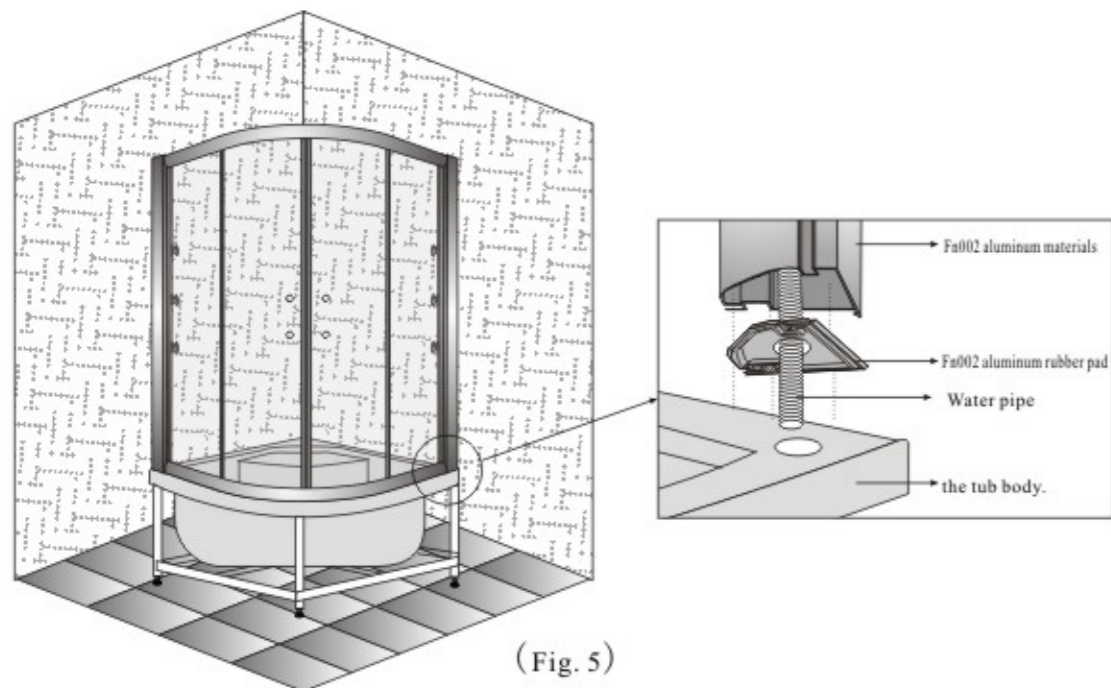
3. Get out the movable glass door, and apply the two pieces of movable glass (with pulleys) to the FN004A elbow aluminum slide rails, as shown in Fig. 4.



(Fig. 4)

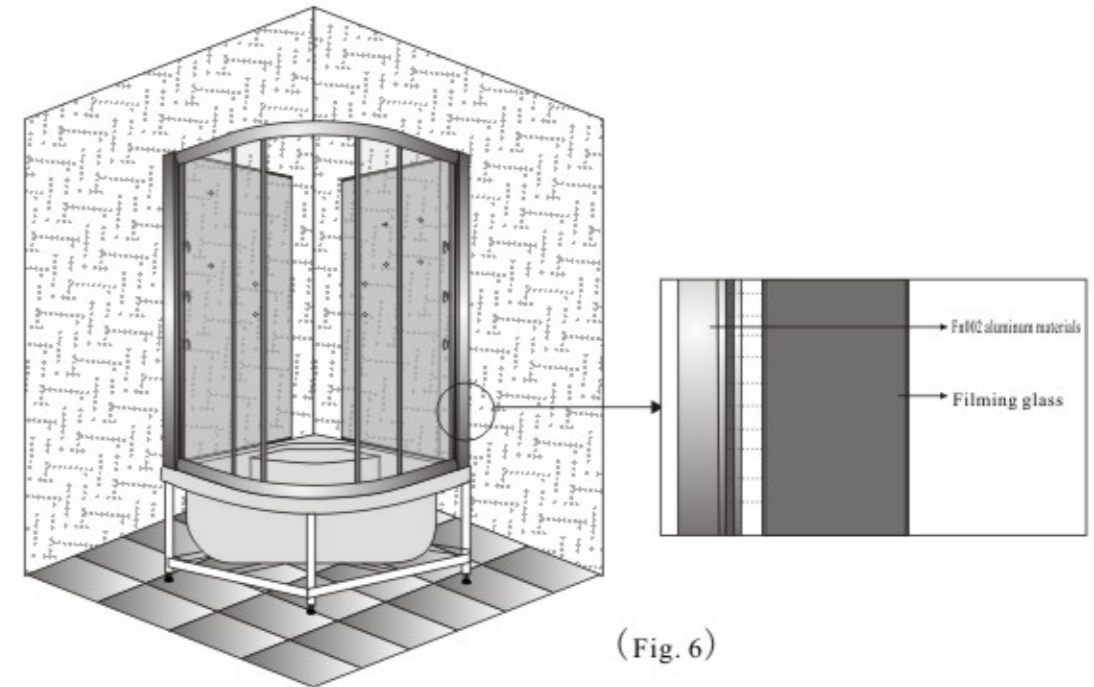
III. Chamber body installation

1. Apply rubber pads to the bottom of the FN002 aluminum materials of the preinstalled glass door, and then install the whole glass door onto the tub body. (Note: to install the glass door onto the bottom basin, first apply the FN002 iron column spout onto the water outlet pipelines of the bottom basin before installing the whole glass door, as shown in Fig. 5.)



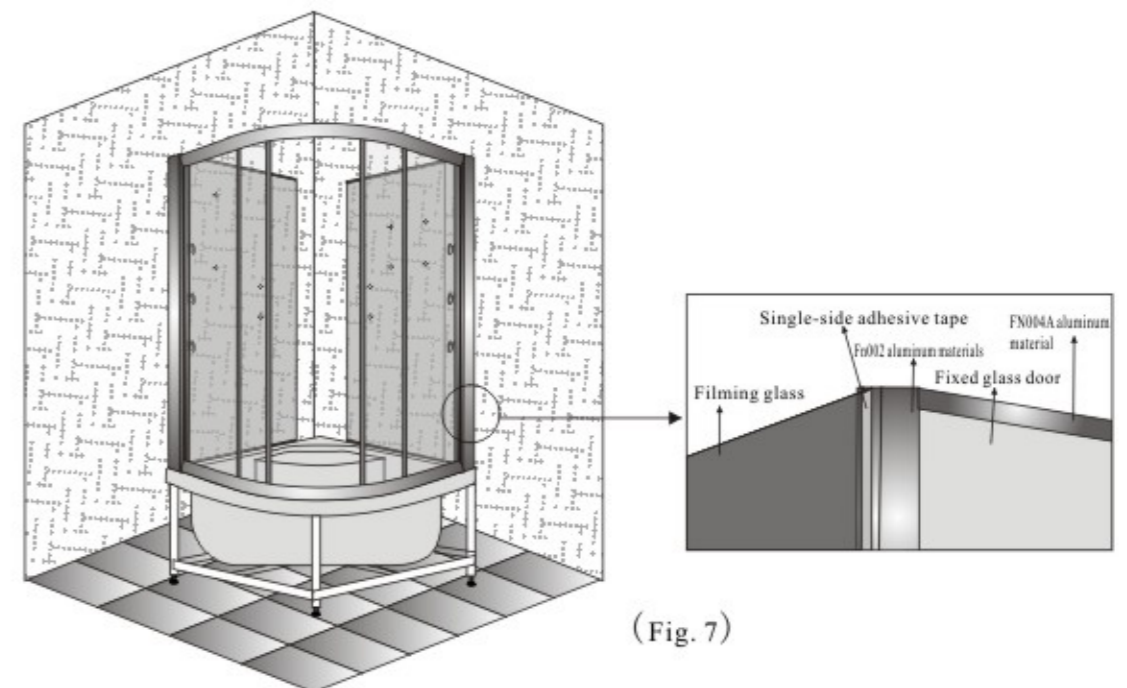
(Fig. 5)

2. Get out the filming glass, apply 305B diamond waterproof adhesive tapes onto the top of the filming glass, and 307 waterproof adhesive tapes to the bottom, then apply the filming glass onto the FN002 nozzle of the side aluminum materials of the glass door, as shown in Fig. 6. (Note: the filming glass is in the left and right directions).



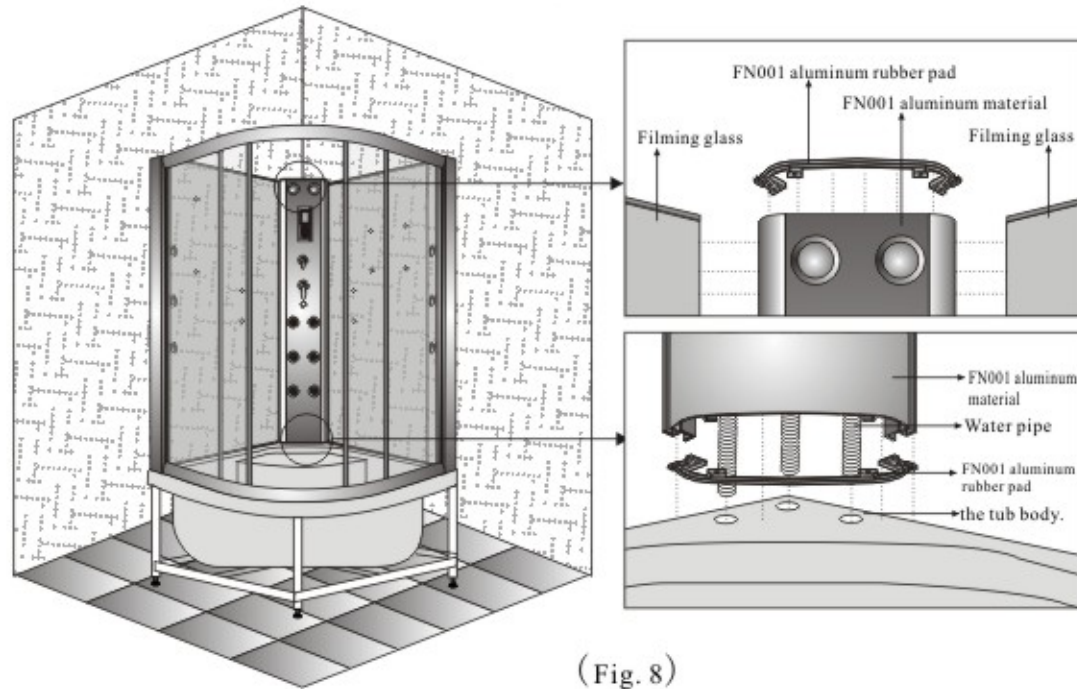
(Fig. 6)

3. After applying the filming glass, use a single-side adhesive tape for fixing. The installation of the filming glass on the other side is the same (as shown in Fig. 7).



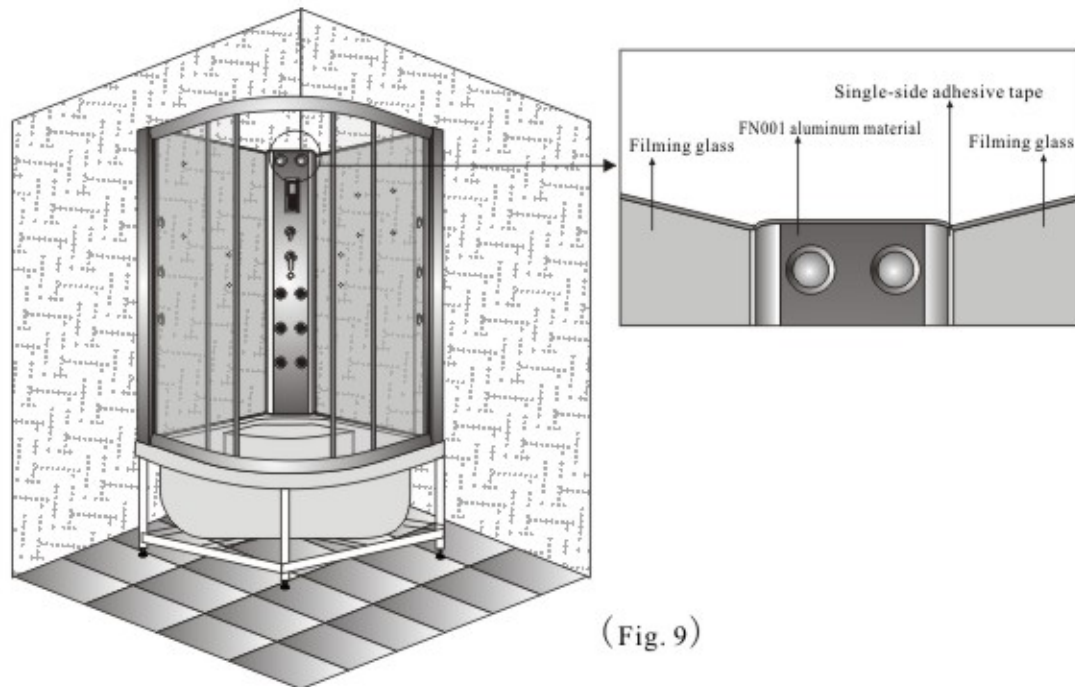
(Fig. 7)

4. Get out the FN001 aluminum post, apply rubber pads onto the top and bottom of the aluminum post (as shown in the figure), and then install it onto the chamber body. (Note: to install the FN001 aluminum post, first apply the water pipe of FN001 aluminum post onto the water pipeline outlet, and then apply one side of filming glass onto the FN001 aluminum post nozzle (as shown in Fig.8).



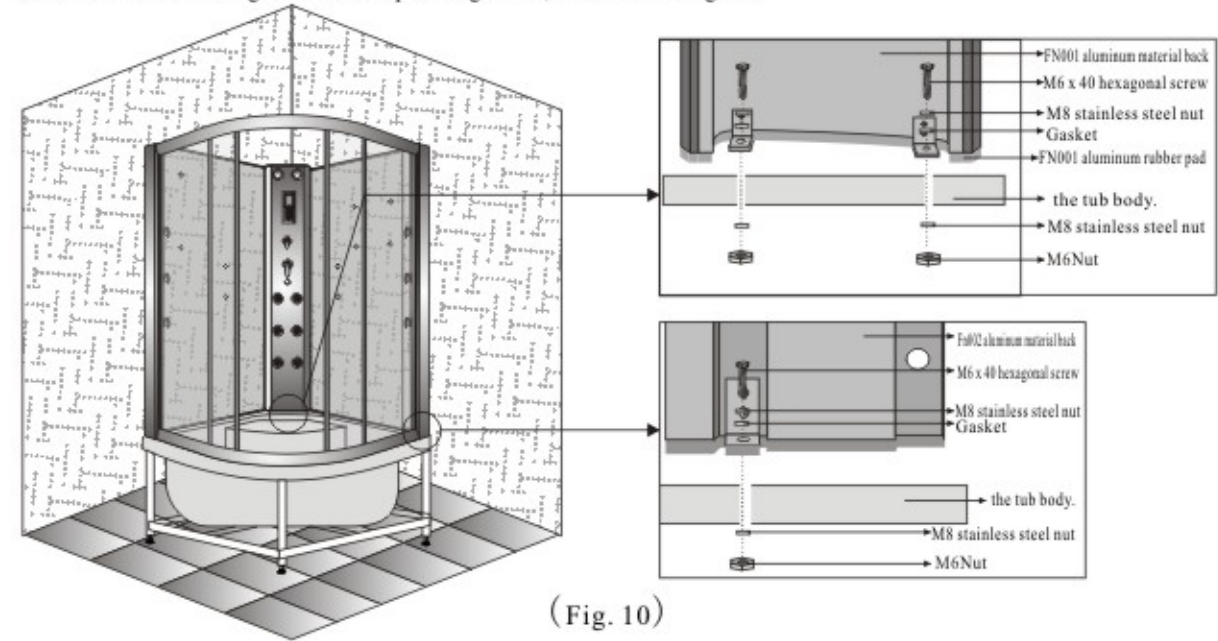
(Fig. 8)

5. After mounting FN001 aluminum posts, use a single-side adhesive tape for fixing, as shown in Fig. 9.



(Fig. 9)

6. Fix the chamber body, use M6 x 40 hexagonal screws to connect the secure the chamber body with the bottom basin according to the corresponding holes, as shown in Fig. 10.

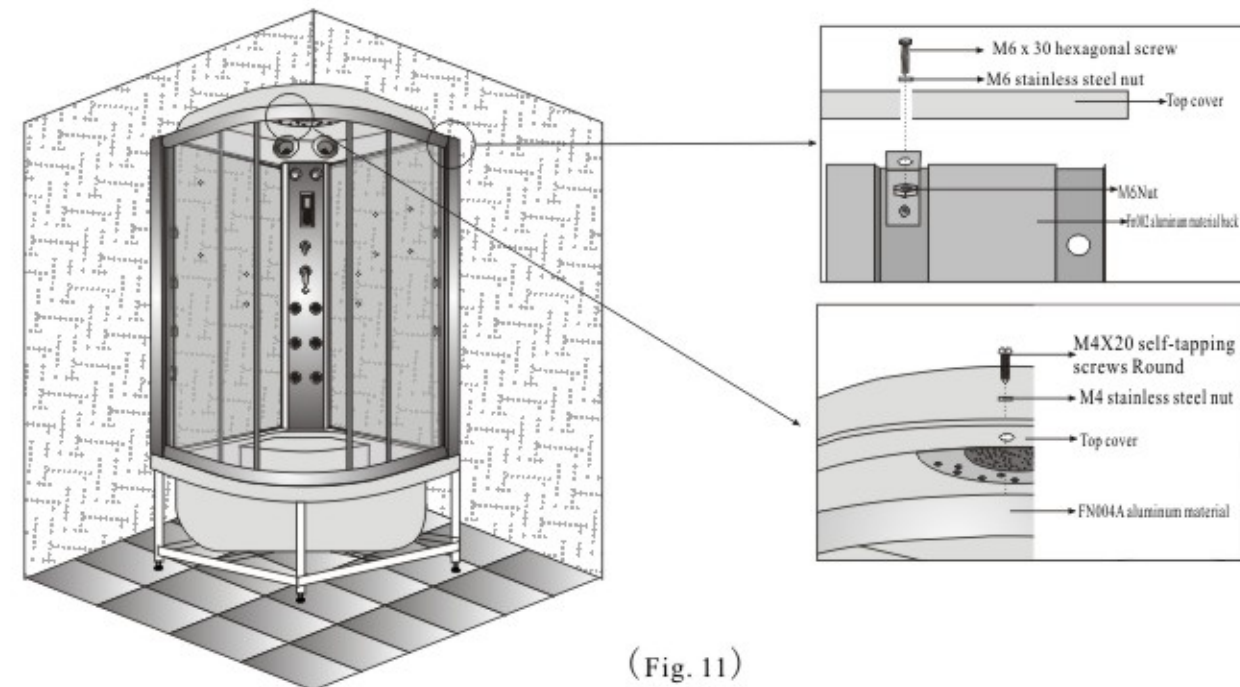


(Fig. 10)

IV. Top cover installation

1. Get out the top cover, apply it to the chamber body, and fix it with screws according to corresponding holes, as shown in Fig. 11.

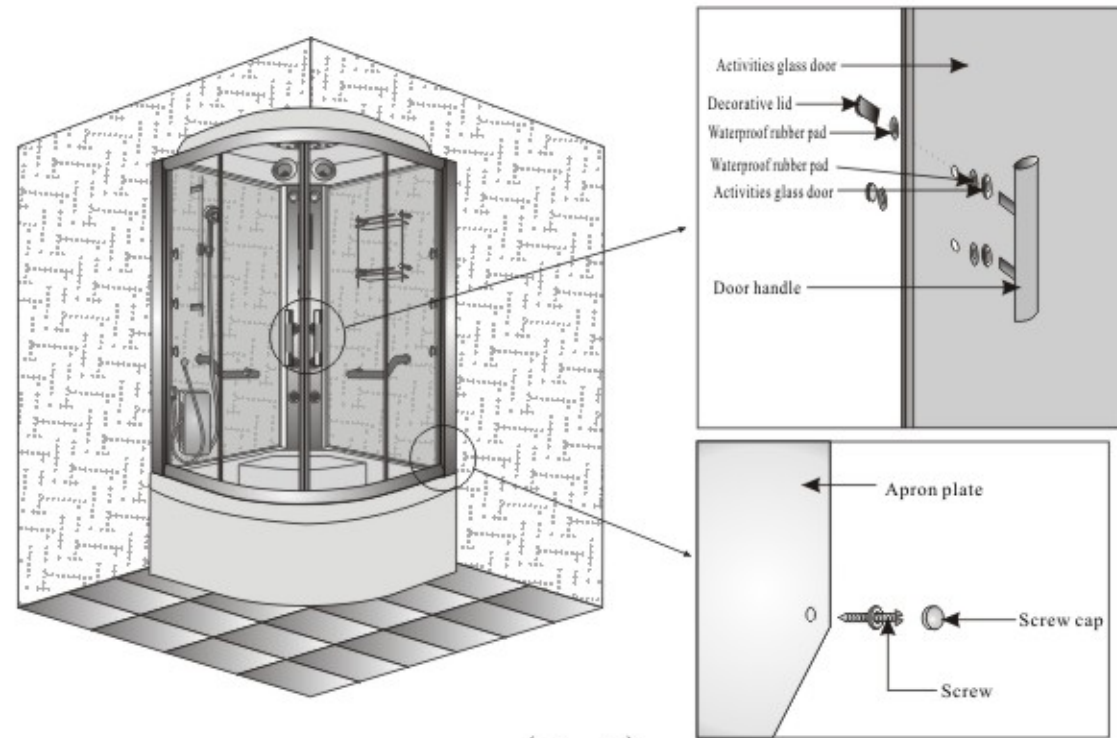
2. Connect the lamp wires of the top cover with the water pipes.



(Fig. 11)

V. Parts installation

After the chamber body is installed, install the lifting support, shower head, support rack, foot massage device, and handle to the corresponding locations, as shown in Fig. 12.



(Fig. 12)

VI. Power and water check and connection

Please check whether the various installation procedures are in compliance with the above-mentioned requirements. Correctly connect the various power cords according to corresponding markings and directions. There shall be no loosening for various connecting plugs. After check, connect the power supply, check the various power and water supplies carefully, then open the water and power supplies, check whether the various functions are normal, and whether there is water leakage with the various connectors.

Note: 1. Please connect the power cords and connectors as indicated in the circuit diagram, avoid wrong and missing connection or reverse connection, otherwise, the computer board may be burnt.

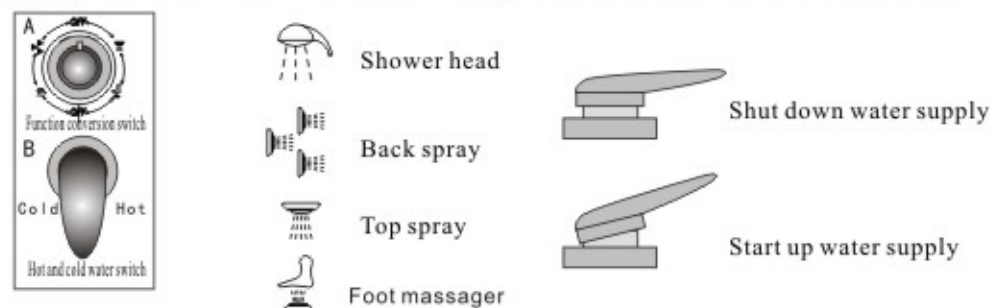
2. Be sure that there is no water entry or drop for the various connectors of the power cords.

3. Prior to installation and use, please use the radio antenna outdoors, so as to ensure better receive

the apron plate, and move the steam chamber to the appropriate location.

VII. Rod usage

A is a function conversion switch, and it is used to switch between shower head, back spray and top spray. B is the hot and cold water switch. Lift the hot and cold water switch, and the water supply is started. Press down the switch, and the water supply is off. Turn the rotation switch in the right and left to adjust the hot and cold water.



Electrical control system BF600 function and usage

Function overview

Function	Model	BF600
1. Back spout massage		✓
2. Steam		✓
3. Steaming machine cleaning		✓
4. Starry ceiling lamp		✓
5. Nocturnal background light		✓
6. Exhaust fan		✓
7. Radio		✓
8. CD		✓
9. Telephone		✓
10. Sterilization		✓
11. Clock function		✓
12. Alarm		✓
13. Fault prompt		

“✓” means this function is available

The control system consists of:

- 1) Handheld infrared remote controller (1)
- 2) Control panel (1)
- 3) Control electric box (1);
- 4) Steaming machine (1).
- 5) Six-color lamps (2)
- 6) Starry lamp (1)

Control system features

- 1. Rated voltage: AC220V~AC240V
- 2. Applicable voltage range: AC200V~240V
- 3. Rated frequency: 50Hz/60Hz
- 4. Temperature setup scope: 20~55℃
- 5. Time setup scope: 5~50 minutes
- 6. Temperature measuring error: 2℃
- 7. Power amplification output: 10WX1
- 8. Electricity leakage action duration: less than 100ms
- 9. Electricity leakage action sensitivity: less than 30mA
- 10. Controllable current: <16A
- 11. Standby power: <10W
- 12. Operating ambient temperature: +5℃~+40℃
- 13. Radio noise limit sensitivity : 20dBuV
- 14. Voltage reducing transformer in compliance with 1500V high-voltage test according to IEC standard

Remote controller features

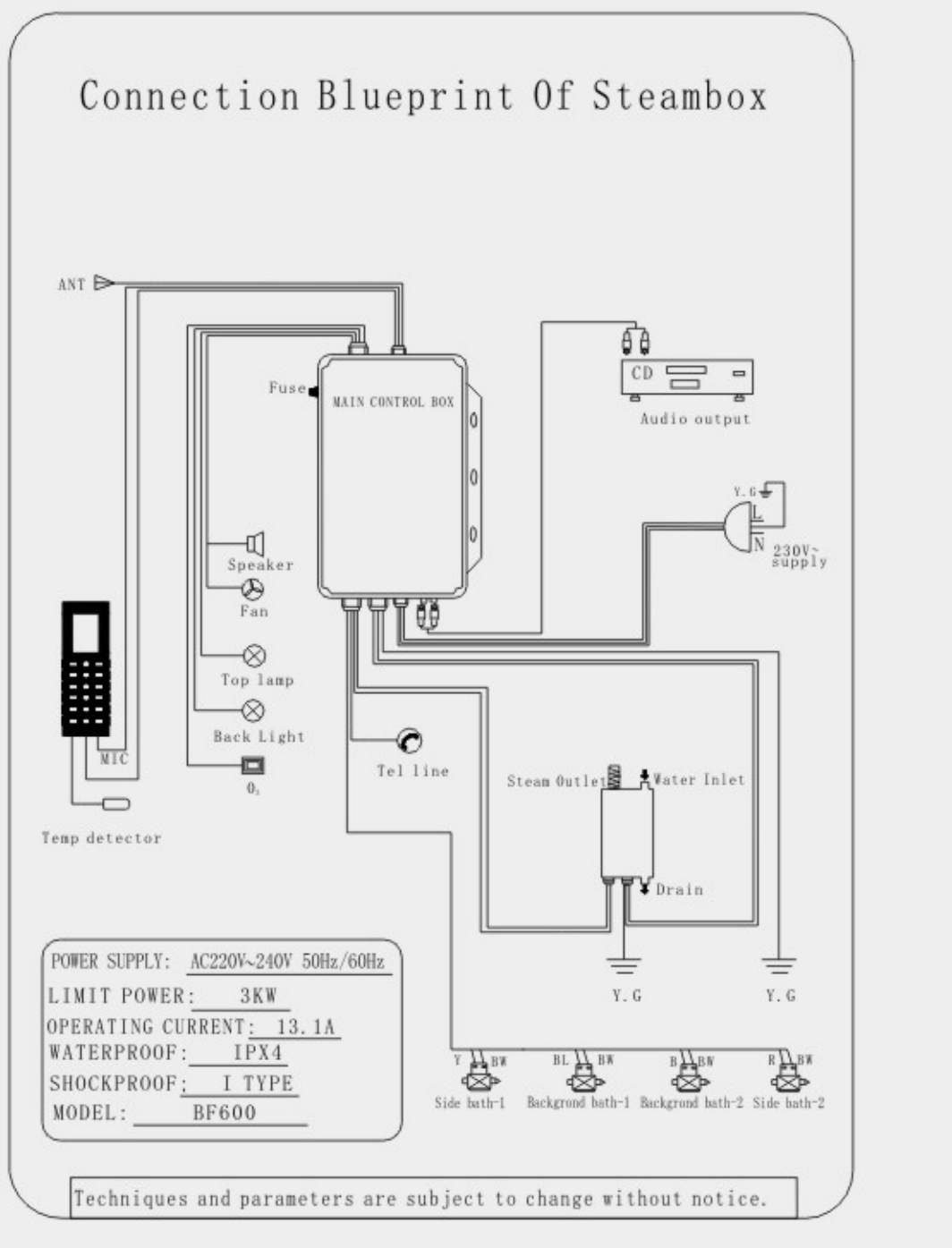
- 1) Operating voltage: 3.0VDC
- 2) Power supply: #7 batteries, 2
- 3) Expected service life of battery: over one year
- 4) Transmit range: at least three meters between the receiver and the infrared sensor
- 5) Transmit angle: usually about 60°
- 6) Transmit medium: infrared

Controlled devices of controlled system

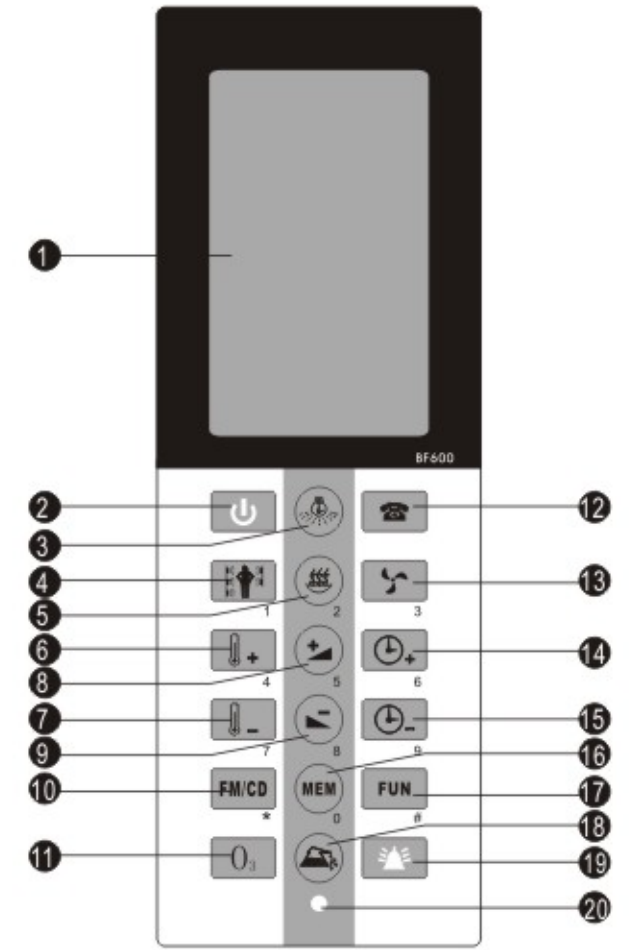
- 1. Steaming machine: AC220V~240V 50HZ/60HZ 3KW
- 2. Electromagnetic valve: DC12V 6W
- 3. Exhaust fan: DC12V; DC12V 3W
- 4. Ceiling lamp: AC12V 16W
- 5. Background light: AC12V 6WX2
- 6. O3generator: AC12V 10W; AC12V 10W

Electronic control system BF600 installation and wiring principle diagram

Connection Blueprint Of Steambox

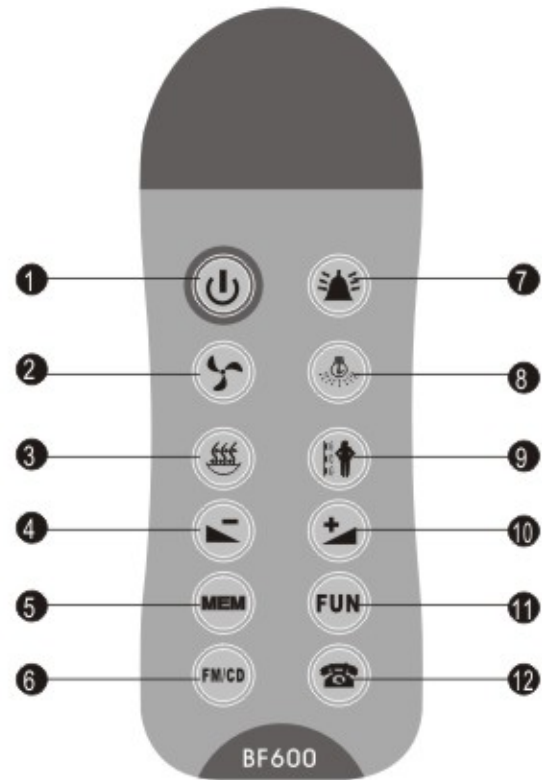


BF 600 control panel keys description



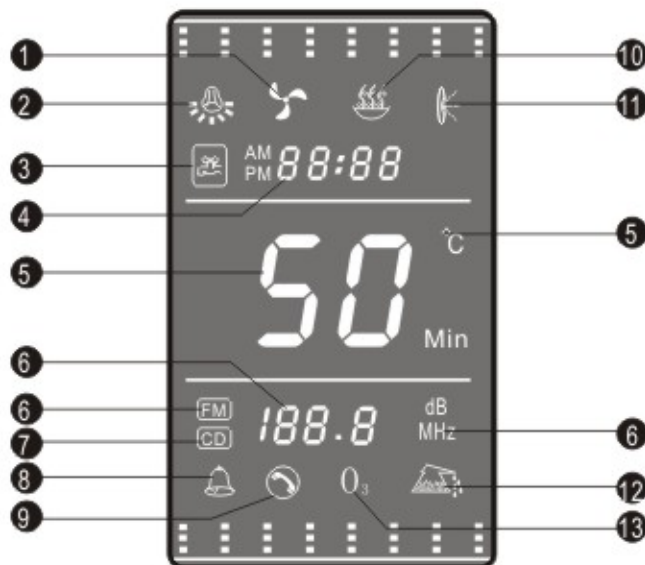
- | | |
|--------------------------------------|----------------------------------|
| 1 LCD | 11 Ozone key |
| 2 Switch key | 12 Telephone key |
| 3 Light key | 13 Exhaust fan key |
| 4 Rear nozzle massage and shower key | 14 Time + key |
| 5 Steam key | 15 Volume - key |
| 6 Temperature + key | 16 Radio station storage key |
| 7 Temperature - key | 17 Function switchover key |
| 8 Volume + key | 18 Steaming machine cleaning key |
| 9 Volume - key | 19 Alarm key |
| 10 Radio/CD key | 20 Receive window |

Remote controller keys description



- 1 Switch key
- 2 Fan key
- 3 Steam key
- 4 Volume - key
- 5 Storage key
- 6 Radio/CD key
- 7 Alarm key
- 8 Light key
- 9 Rear nozzle massage key
- 10 Volume + ke
- 11 Function key
- 12 Telephone key

Computer LCD description



- 1 EXHAUST FAN icon
- 2 HEC's icon
- 3 Influent icon
- 4 Hours of state
- 5 Temperature Display state
- 6 Radio switches, radio frequency and icon
- 7 External hard disk CD icon
- 8 Alarm icon
- 9 Telephone icon
- 10 Steam state
- 11 Spray icon
- 12 Cleaning icon engine
- 13 Ozone icon

BF600 control panel function description

(Any function button when he is accompanied by a buzzer "toot" noises)

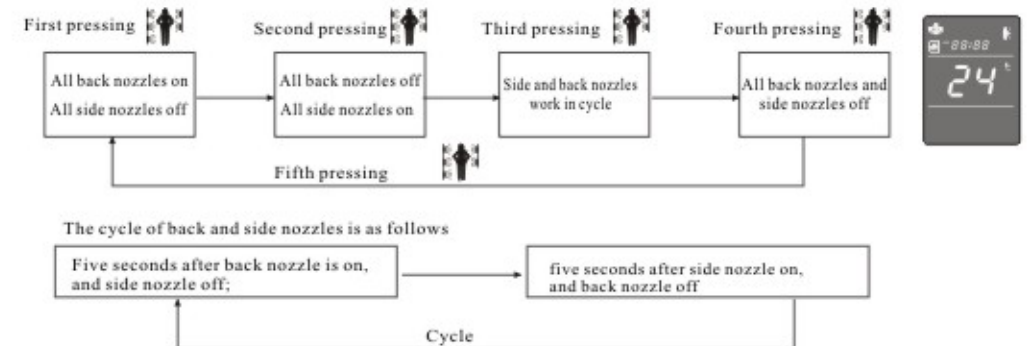
1、 ON/OFF

In the power on status, press the key on the panel or the remote controller, the system starts up, all functions are opened on the panel, the starry ceiling lamp is on, the display emits blue light, and the presents the icons for the current ambient temperature, time, and ceiling lamp. Press the key **once more** to implement shutdown.



2、 Back/side nozzle massage function

In the system startup status, press the key on the panel or the remote controller, and the back nozzle massage function and side nozzle massage function will be on or off according to the following sequence:



3、 Steam

When the system is on, press the key on the panel or the remote controller, the water incoming electromagnetic valve of the steaming machine is off after it is opened to the water level, the steam is started up, and the screen displays the corresponding steam icon. At the same time, the current ambient temperature is displayed. The steam setup time is 45 minutes by default for the system, and the temperature is 45 by default. If the system is running short of water, the steam cannot be opened, and the LCD indicates lack in water. Press this key once more to close the steam. (Note: after the system is shut down, the water exhaust electromagnetic valve will be automatically started for two minutes one minute later to remove from



4、 Steam duration and temperature setup

When the system is on, click the time or key on the panel to increase or decrease one minute for the steam time. Press or for 1.5 seconds to adjust the time automatically and continuously, and the setup scope is 550 minutes. Click the temperature or key on the panel to increase or decrease one degree of the steam. Press or for 1.5 seconds to adjust the temperature automatically and continuously, and the temperature setup scope is 20--55 °Cdegrees.

5、 Exhaust fan

When the system is on, press the key on the panel or the remote controller to start up the exhaust fan, and the window displays the icons for the function statuses. Press the key once more to turn off the function.



6、Steaming machine cleaning

The system is shut down for four minutes after use (no steam, the steam engine was in the water from cisterns, closed solenoid valve engine intake), citric acid cleaning fluid will join the steam engine, the key cleaning? 2 seconds later, opened the cleansing function of cleaning function according to the following process : Configuration and cleaning fluid injected a total of four specific methods are as follows :

- A、 The preparation : first clean 2.5-3 grams of anhydrous citric acid crystals (with the distribution company spoon, scoop about peace can be.), A small particles stacked containers, and then about 500 grams of water (around 30-45 °C) and stir until dissolved anhydrous citric acid.
- B、 Steam room large column of singling out below, we can see a stainless steel lid, the lid of cleaning fluid injection imported cap seal, shake this lid open and the internal copper nut that can be seen cleaning fluid injection entrance, and then the company's allocation of special cleaning fluid injection of the funnel entrance and reliable connectivity. then more as a good distribution through the funnel into the entrance of citric acid solution and then screw nut copper and stainless steel lid, finally started the cleansing function keys on the panel, the system will automatically complete the cleaning process. Note : (from the system automatically complete the cleaning process, users can control only)

Hopper special cleaning fluid

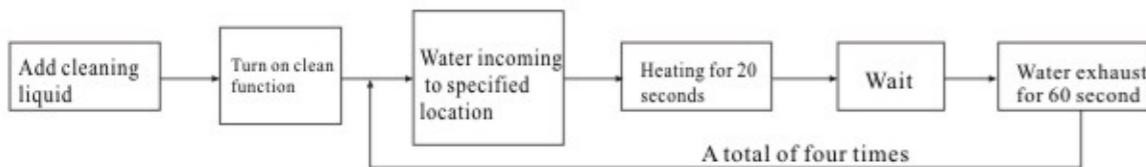


About 3 grams of citric acid crystals (one ping scoop)



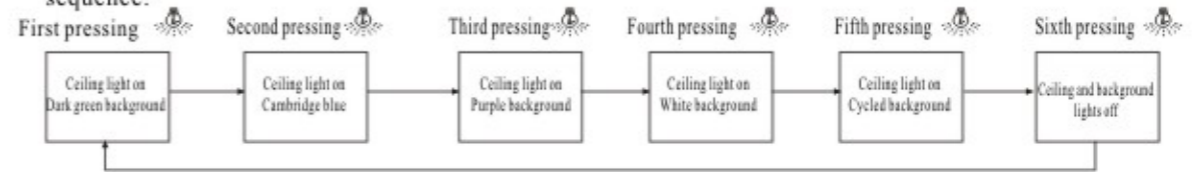
Note:

1. After the first time of heating, wait for 60 seconds; for the 2nd, 3rd and 4th times, wait for three minutes. If incoming water cannot reach the specified location, turn off the clean function, and report it as E2 fault; if cleaning liquid cannot be exhausted within 60 seconds, report it as E6 fault.
2. During cleaning, the LCD displays the clean process, "times--procedures", for example, "2--1", in which "2" stands for cleaning, while "1" for procedure 1. Four steps are required for each time of cleaning, namely, 1: water incoming; 2. heating; 3. wait; 4. water exhaust.
3. It is recommended that no shutdown or power outage be done during cleaning. Use the steam chamber only after the whole process is finished, so as to prevent cleaning liquid from accumulating in the steaming machine.
4. Cleaning shall be done when no one is using the steaming chamber. It is recommended that the machine be cleaned once for every 20 times of use.
5. If steam, shower, radio, telephone, ozone, fan or lighting function is turned on after startup, the cleaning function cannot be used. Only after shutdown and restart, can you use the steaming machine cleaning function once more

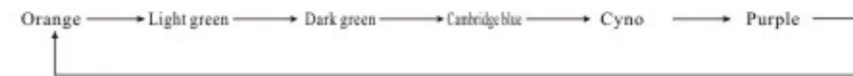


7、 Illuminating light (ceiling light and background light)

When the system is on, the ceiling light is on by default, and the screen displays the corresponding light icon. Press the key on the panel or the remote controller, and the light will switch on and off in the following sequence:



The background light is on and off in cycle in the following sequence:



8、 FM radio/CD

When the system is on, press the **FM/CD** key on the panel or the remote controller to start up the radio function for the first time, and the display window displays the current radio frequency. Press the **FM/CD** on the panel or remote controller once more, the system switches over to the CD input status, and the screen displays the CD icon. In the radio status, click the key on the panel or the remote controller to search stations upward automatically. Press it for about 1.5 seconds to implement automatic searching of stations upward. Click the key on the panel or the remote controller to implement automatic station searching downward. When the desired station is found, press the **MEM** key on the panel or the remote controller for 1.5 seconds to save to station frequency as the current station number. Click the **MEM** key to implement switching channels upward, and the channel range is 1--8. Click the **FUN** key once (for about 0.5 seconds) to adjust the volume, at the time, the dB icon will be displayed. Press the or on the panel or the remote controller once more to adjust the volume upward or downward.



9、 Clock function

The system features clock display function, and the screen displays the actual time upon power on. When the system experiences power failure, the time is saved by the built-in lithium battery. To adjust the time, press the **FUN** key for 1.5 seconds, and the time icon on the display will flash. At the time, press the key to adjust the hour, and press the key to adjust the minute.

10、 Sterilization

When the system is on, you can press the key on the panel or the remote controller to start up the ozone sterilization function. The screen displays the corresponding icons. It operates for ten minutes and then automatically turns off. At the time, the exhaust fan will be automatically on for 15 minutes to exhaust the residue ozone in the chamber.





11、 Telephone

When the system is on and there is an incoming call, the telephone rings, and temporarily automatically turns off started acoustics and shower functions. Press the key on the panel or the remote controller, the ringing stops, ready for pickup, and the LCD displays the corresponding icon. After the conversation is finished, press this key once more to hang off. Press key when there is no incoming all, and it will be in the telephone dialing status. The corresponding combo keys on the panel are digital keys, the original functions are shielded. At the time, the display presents The telephone dialing status, press the key once more, and the call is terminated.



12. Alarm

When there is any emergency, press the  key on the panel or the remote controller, or when there is anything wrong with the system (for details, please refer to the fault prompt), the speaker will give an alarm, and the screen displays EE. Turn on the light and the exhaust fan, and all other functions are turned off (steam, back massage and acoustics). At the time, you can only press the  key to stop the alarm.



VII. Troubleshooting

The BF600 controller features powerful protection and fault self-diagnosis functions, so as to provide you with a safe and cozy shower environment. Possible faults are as follows:

Failure indication on LCD	Fault name	Reasons	Details of failure
E1	communication fault	A. Communication line short circuit or disconnection B. Communication drive circuit fault C. CPU I/O damage	The BF600 employs dual CPUs (different CPUs are employed for control of the display part and main control part). During normal use, the master CPU keeps shaking hands with the slave CPU for communication. When there is communication issue for 15 consecutive seconds between the master and slave CPUs, the system will display "E1" fault, and automatically turns off all external loads to protect the system. When the communication becomes normal, the system will automatically recover all functions.
E2	incoming water overtime fault	A. The general water valve not on B. Water outage in residential area C. Fault with incoming water valve control system D. Failure in water level detection	When the system starts up steaming machine cleaning function, and the steam bag is detected lacking in water before heating, the system will turn on the incoming water valve for water. If the water level still cannot reach the normal one after 60 consecutive seconds, the system will report "E2" fault, and at the same time turn off the steaming machine cleaning function.
E3	incoming water overtime fault	A. The general water valve not on B. Water outage in residential area C. Fault with incoming water valve control system D. Failure in water level detection	When the system starts up steam function, and the steam bag is detected lacking in water, the system will turn on the incoming water valve for water. If the water level still cannot reach the normal one after 60 consecutive seconds, the system will report "E3" fault, and at the same time turn off the steam function.
E5	boiling without water	A. Failure in boiling without water protection detection B. Boiling without water protective switch damaged	When the system starts up the steam function, and boiling without water protection is detected, the steam system will be shut down, and the system will report "E5" fault.
E6	incoming water overtime fault	A. Fault in water exhaust valve control system B. Failure in water level detection	After the steaming machine is cleaned, turn on the water exhaust valve to remove sterilizing liquid from the steaming machine. If sterilizing liquid still remains in the steaming machine after 60 seconds, the system will report "E6" fault, and at the same time, the steaming machine cleaning function is turned off.

TROUBLESHOOTING

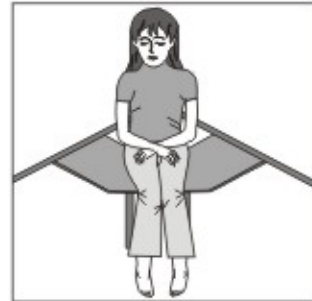
General Failure	Reason	Solution
Unable to turn on the system	The leakage switch is powered off. The power supply is not connected. The power supply to the control box is improper.	Check and connect to power supply
	The connection between the control box and the display box is incomplete.	Check and make proper connection.
	The fuse of the control box is burned.	Replace the fuse and try again.
Function, no display	The display box is damaged.	Replace the display box and try again.
	The connection between the control box and the display box is incomplete.	Check and make proper connection.
No Light, no fan	Malfuction of the display box.	Replace the display box and try again.
	The connection between the control box and bulb or fan is incomplete.	Check and make proper connection.
Out of control	Failure of load of bulb or fan.	Replace the bulb or the fan.
	The display box is disconnected to the control box after the system is powered on.	Check connection between the control box and the display box and restart the system again.
No sound under the radio mode	The connection between the control box and the display box is in poor contact.	Firmly make connection of wires of the control box and the display box.
	The radio is off or there is circuit failure.	Restart or check is the loudspeaker is properly connected.
	No channel is selected or the volume is set to the lowest level.	Reselect the channel or increase the volume.
No sound under the CD mode	No signal or poor signal.	Change the position of the antenna and research channel again. Pull the antenna out of the bathtub.
	It is not switched over to the CD mode.	Switch over to the CD mode.
No telephone	The CD player is powered off.	Check the power supply of the CD player.
	The telephone wire is not properly connected or damaged.	Check if the telephone wire is properly connected to the control box. If the telephone wire is damaged, find similar shielded wire and replace it.
Malfuction of remote control	The sound transmitter is blocked.	Clean.
	The transmission angle of the remote control signal is improper or not aiming at the receiver	Aim the remote controller at the receiver. Properly adjust the distance of remote control.
No steam	There is strong magnetic interference nearby.	Use manual control.
	The power of the battery of remote controller is insufficient.	Replace the battery.
	No water in steam generator.	Check the water intake valve or water pipe.
	The room temperature is higher than the preset temperature.	Increase the preset temperature.
	The preset time is reached.	Adjust the time setting.
Failure of the heating coil of the steam generator.	The steam generator is too hot and the overheat protection function is working.	Check the heat protector of the steam generator.
		Check and replace the heating coil of the steam generator.

Maintenance

1. Use liquid detergent and soft cloth for cleaning. Detergents containing acetone, ammonia, acid and organic solvent are strictly forbidden for cleaning. In case of sterilization, products containing formic acid or formaldehyde are strictly forbidden, which may otherwise damage the surface of the bathtub.
2. Avoid excessive sunshine and cold.
3. If the surface is slightly scratched or burnt, you can use 1200# sand paper to grind the product, and then use 2000# sand paper for grinding, at last, use polishing paste and soft cloth for polishing.
4. Galvanized part treatment: use velvet to clean the galvanized part slightly, and avoid using coarse cloth for cleaning.
5. Tub body treatment: When there is scratch on the tub body, you can use 2000# sand paper for grinding, and then use polishing paste and velvet for polishing.
6. Avoid bumping by sharp objects.

Notes for use of foldable tool

Usage Method for Folding Stool:



Single People Use

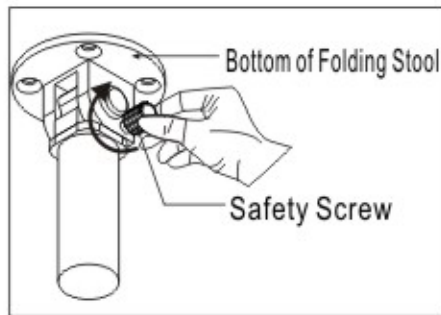


Double People Use

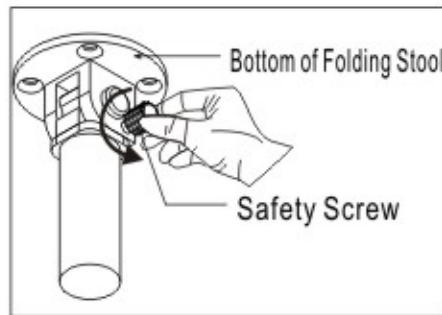


Usage Method for Safety Screw:

Folding Stool use, security screws tight enough to prevent foot slipped. Sadly Folding Stool, loose screws security refolding.



Tighten (clockwise direction)



Loosen (counterclockwise direction)

- Maximum Weight-bearing for Single Stool: 120Kg
- Maximum Weight-bearing for Double Stool: 250Kg

Conversion Table

°C ↔ °F		°C ↔ °F		°C ↔ °F		°C ↔ °F		°C ↔ °F	
-19	-2.20	-5	23.00	9	48.20	23	73.40	37	98.60
-18	-0.40	-4	24.80	10	50.00	24	75.20	38	100.40
-17	1.40	-3	26.60	11	51.80	25	77.00	39	102.20
-16	3.20	-2	28.40	12	53.60	26	78.80	40	104.00
-15	5.00	-1	30.20	13	55.40	27	80.60	41	105.80
-14	6.80	0	32.00	14	57.20	28	82.40	42	107.60
-13	8.60	1	33.80	15	59.00	29	84.20	43	109.40
-12	10.40	2	35.60	16	60.80	30	86.00	44	111.20
-11	12.20	3	37.40	17	62.60	31	87.80	45	113.00
-10	14.00	4	39.20	18	64.40	32	89.60	46	114.80
-9	15.80	5	41.00	19	66.20	33	91.40	47	116.60
-8	17.60	6	42.80	20	68.00	34	93.20	48	118.40
-7	19.40	7	44.60	21	69.80	35	95.00	49	120.20
-6	21.20	8	46.40	22	71.60	36	96.80	50	122.00

$$^{\circ}\text{F} = 32 + ^{\circ}\text{C} \times 1.8$$

$$^{\circ}\text{C} = (^{\circ}\text{F} - 32) \times 5 \div 9$$