

VOLKSWAGEN

ROLL CAGE NO. ZVW 148-283  
FOR VW 181 THING

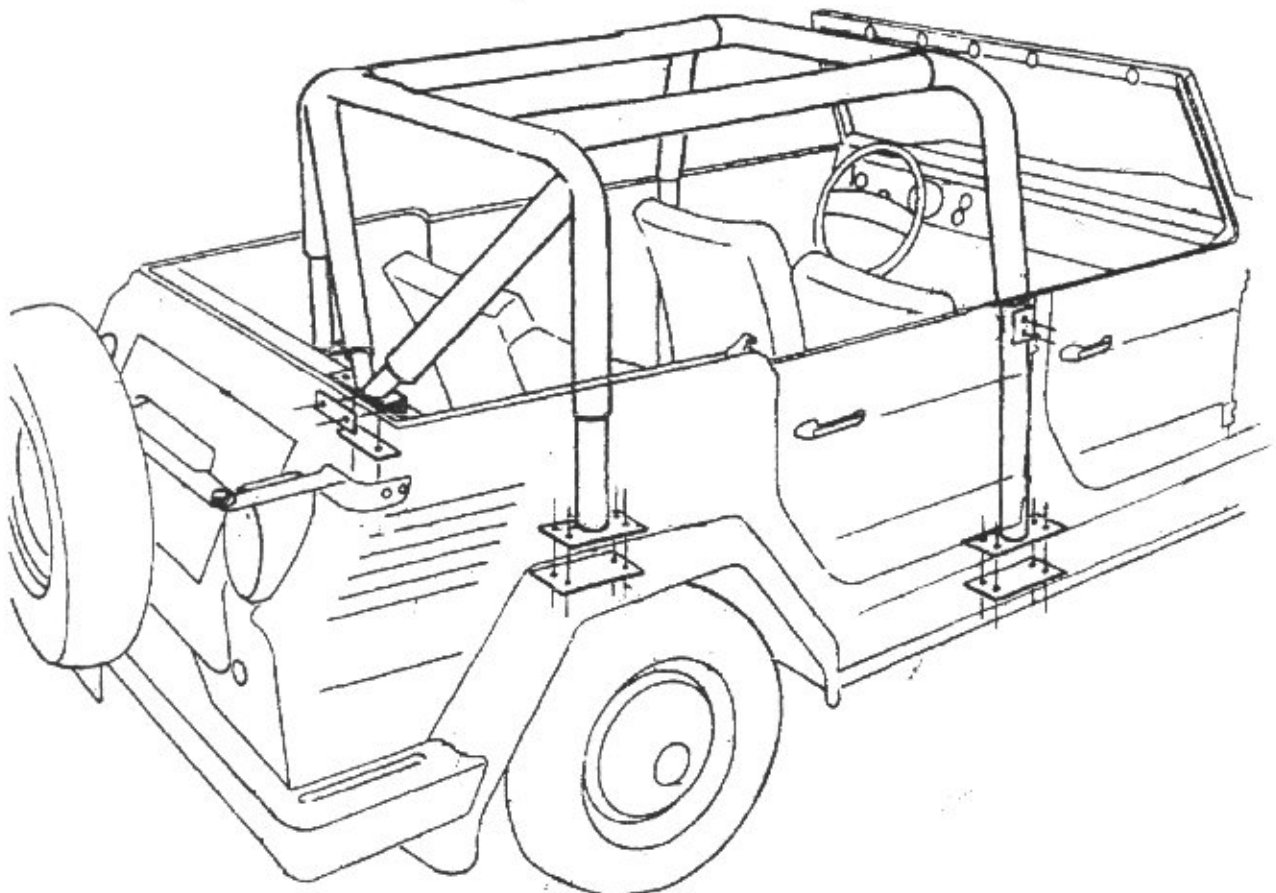
INSTALLATION INSTRUCTIONS

READ THOROUGHLY BEFORE INSTALLATION



Kit consists of one front roll bar, one rear roll bar with rearward positioned diagonal tubes, under floor back up plates, two upper connecting transverse tubes and necessary mounting hardware.

1. Unlatch and put down convertible top.
2. Install rear roll bar, positioning angle plate onto rear shelf behind back seat.
3. Remove plastic seat belt hangers from body panels between doors.
4. Install front roll bar into position between the doors. Install the two transverse tubes between the front and rear roll bars.
5. Compress the rubber tubing and install the  $\frac{3}{8}$  x  $2\frac{3}{4}$ " bolts, washers and nuts through the roll bar receptacles and transverse tubes. Do not tighten.
6. Install the four 8mm x 1" bolts, flat washers and lockwashers through the slotted side brackets of the front roll bar into between doors. Do not tighten.
7. Check front and rear roll alignment and position holes. Disassemble
8. IMPORTANT: OPEN ENGINE COMPARTMENT AND MOVE UPPER WIRING HARNESS OUT OF WAY PRIOR TO DRILLING. CHECK UNDERNEATH ALL OTHER PANELS FOR CLEARANCE BEFORE PROCEEDING.
9. Drill  $\frac{3}{8}$ " clearance holes for all mounting positions and reinstall assembly.
10. Install matching backing plates on underside of all body panels while installing loosely the  $\frac{3}{8}$  x  $1\frac{1}{2}$ " bolts, lockwashers and nuts.
11. Raise and secure convertible top. Check for position and alignment of roll cage assembly and tighten all mounting bolts progressively. Tighten securely.
12. Install the plastic seat belt hangers on the side brackets of the front roll bar with the four supplied #10-24 screws, lockwashers and nuts.
13. Resecure the wiring harness in the engine compartment into position.



VOLKSWAGEN OF AMERICA, INC.  
ENGLEWOOD CLIFFS, NEW JERSEY 07832

00-0667