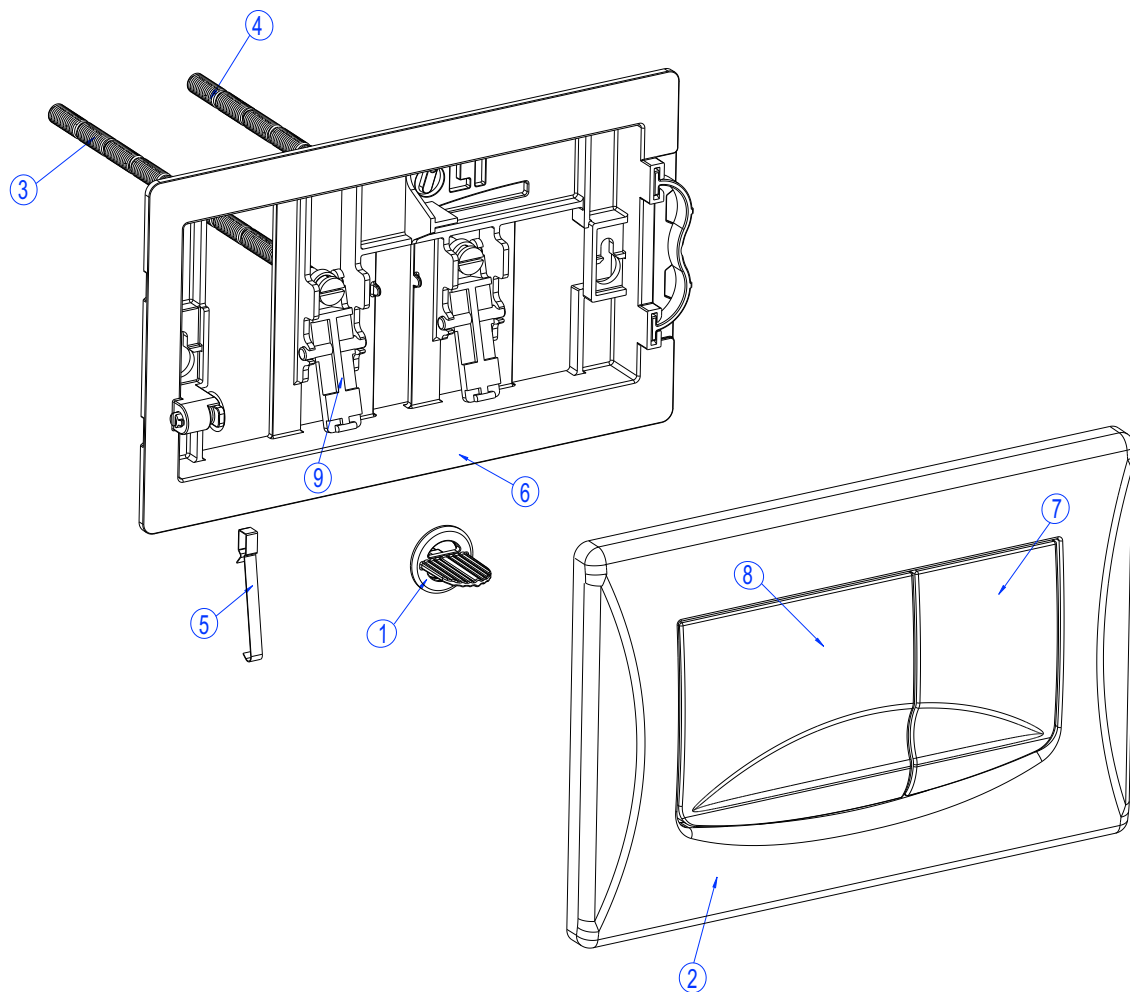


## TROUBLESHOOTING

### Push-plate Better Dual Flush

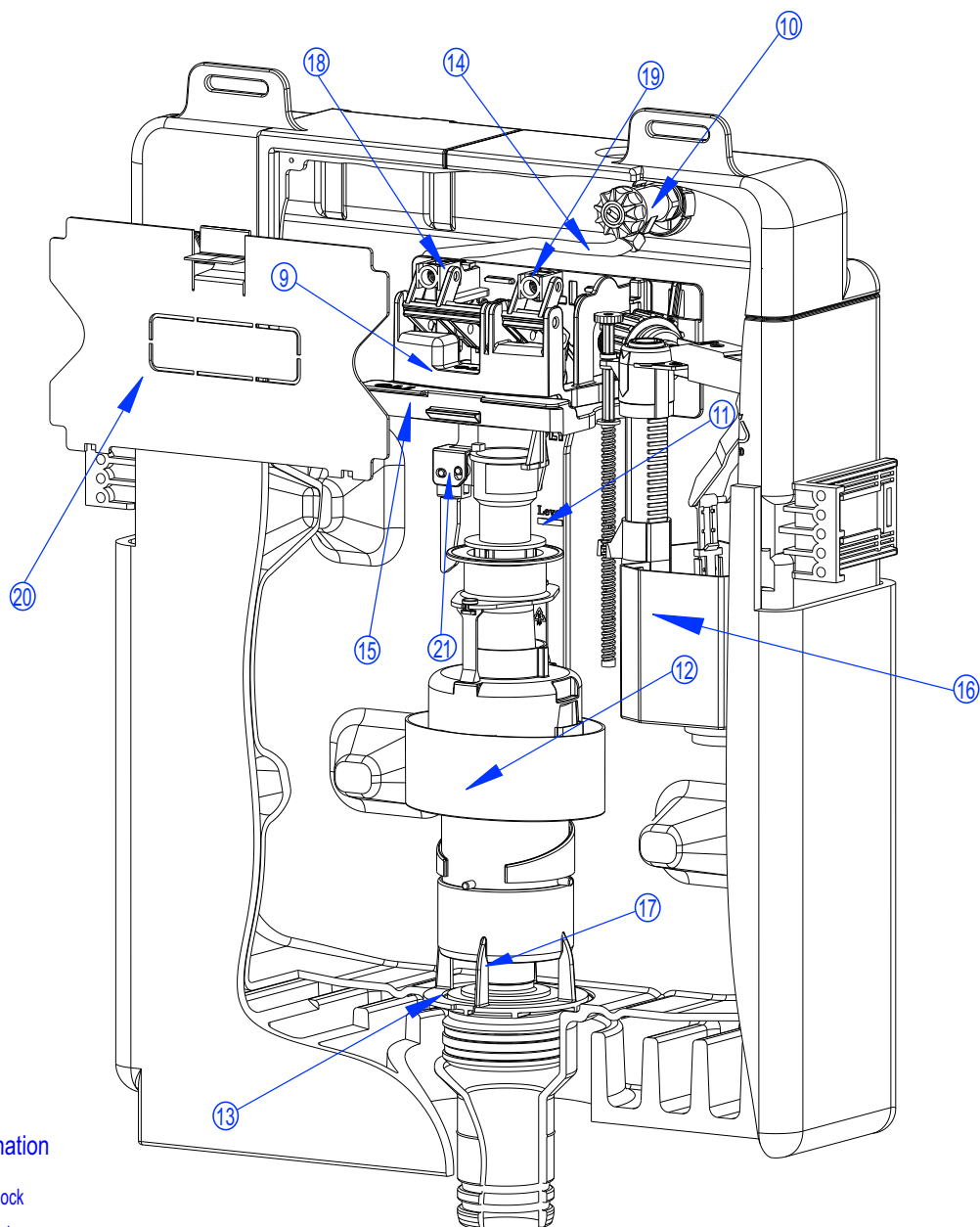


#### N Designation

- 1 Template
- 2 Pushplate
- 3 White screw for complete flush
- 4 Yellow screw for complete half flush
- 5 Spring
- 6 Counterplate
- 7 Push-button half flush
- 8 Push-button complete flush
- 9 Lever

## TROUBLESHOOTING

### Tank Better Dual Flush

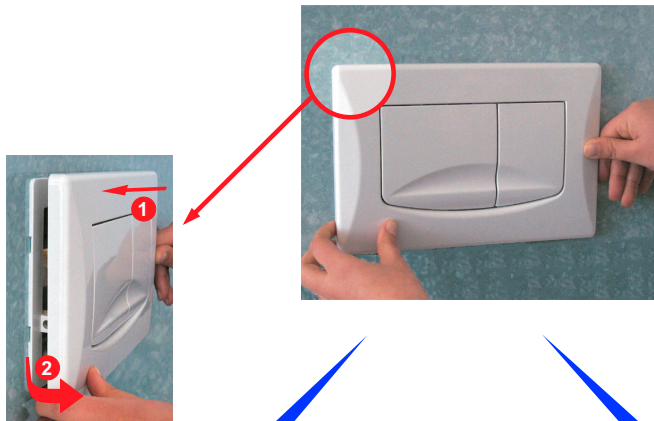


N	Designation
9	Lever block
10	Stop cock
11	Gauge rod
12	Outlet valve
13	Seal
14	Flexible pipe
15	Central block
16	Inlet valve
17	Guide for flush valve
18	White nut
19	Yellow nut
20	Protection plate
21	Anchor set

## TROUBLESHOOTING

### Leak of water of the cistern

1st step - take the push plate out



- Take the push plate out following the movement of the arrows in the picture
- Take the lever (7) out.

The leak as stopped

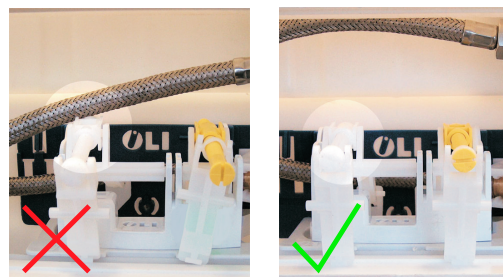
The leak as not stopped

2nd step - Adjustment of the screw

Take out the counter plate and the protection plate (21)



- Faster the white and the green screw with template (1) until the latter touches the counterplate
- The system is adjusted when the template doesn't allow the screws to turn



- check if the flexible pipe interferes with the pushing of flush valve

- It interferes

- It does not interfere

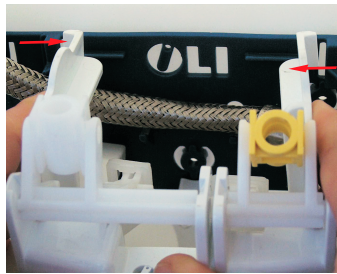
Correct the position of the flexible pipe according to the picture

2nd step - check the water level

see next page

## TROUBLESHOOTING

Following of page 3 (2nd step)



- Remove the lever block by pressing the holder following the movement of the arrows in the picture

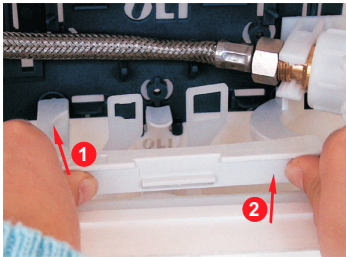
See if the level coincides with the signal "level" in the water scale (2)

It coincide

It does not coincide

**4th step - Remove the flush valve**

- Close the stopcock



- Remove the central block following the movement of the arrow in the picture



- Press the holder of the gouge rod down to remove it

➡ See next page

**5th step - Remove the inlet valve**

- Close the inlet valve (10)

- Unscrew the nut that connects the inlet valve with the flexible pipe and place the extension screws in the maximum length

- Remove the central block (same as 4th step)



- Press the holderhook and remove the inlet valve



- Unscrew the inlet valve nut and see if there is dirt that prevents that the inlet valve closes

- There is dirt

- There is not dirt

- Clean the inlet valve

- Replace the inlet valve

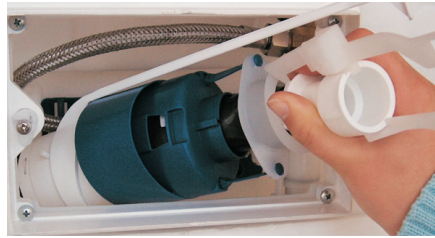
- It works

- It does not work

- Replace the inlet valve

**TROUBLESHOOTING**

Following of page 4 (4th step)



- Remove the Flush Valve and gouge rod



- Replace the seal (13)



**Install the flush valve and the gouge rod again**



**It works**



**It does not work**



**See next page**

**TROUBLESHOOTING**

Following of page 5

**It does not work**



- Take the flush valve and gouge rod out



- Take the guide f/ the flush valve out (17).



- Check if the sealing area in the guide f/ flush valve (signalled in the picture with red line) has imperfections, cavities or edges.



**It has imperfections**

**It has no imperfections**



- Replace the guide f/ flush valve

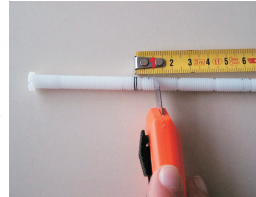
- Replace the flush valve

**TROUBLESHOOTING**

**Insufficient flush**

- Take the push-plate out (see 1st step of page 1)

6th step - screw cutting



- Remove the green (4) and white (3) screws
- place the screw heads on the nuts with the respective colour and with the help of a ruler mark the screws on the face of the counterplate
- The distance from the mark to the cutting line must be 10 mm

**It works**

**It does not work**

- Check screw adjustment  
(see 2nd step of page 1)

**It works**

**It does not work**

- Check the water level  
(see 3rd step of page 1)

**It works**

**It does not work**

- Replace the flush valve

## TROUBLESHOOTING

### Reverse flushing

- Remove the push-plate (see step 1 of page 1)



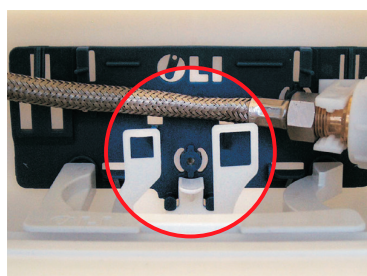
- Remove the counterplate and the protection plate



- Remove the lever block



- Check if the anchor with the biggest hole is placed on the right side



**It coincides**



**It does not coincides**

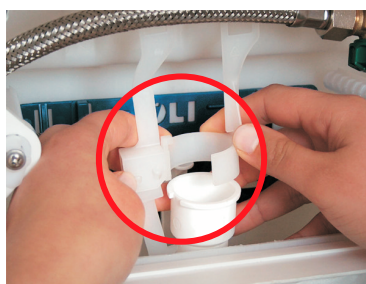
- Turn the outlet valve til its correct position  
(anchor w/ the biggest hole on the right side)



**It works**



**It does not work**



- Replace the anchors  
(21).



**It works**



**It does not works**



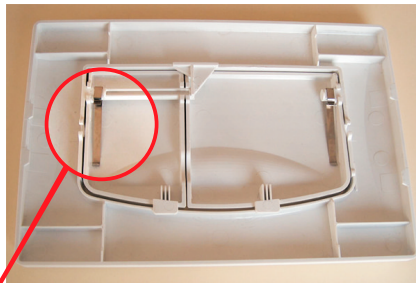
- Replace the flush-valve



**TROUBLESHOOTING**

The pushbutton is not aligned with the pushplate surface

- Take the push-plate out (see the 1st step of page 1)



- Check if there are springs installed and/or the springs are correctly mounted

