

#### Legal:

The content of this guide may not be sold, modified, or distributed in anyway without the expressed written consent of the publisher. Reprinting, copying, or any other form of distribution for commercial or non-commercial purposes is strictly prohibited and will be prosecuted.

#### Disclaimer:

Every attempt has been made to provide the most accurate information as possible. However, the publisher accepts no liability for any wrong information as a result of purchasing and / or reading this guide.

You can follow this guide at your own risk the publisher accepts no responsibility for any injury to any person.

Copyright © www.Construct101.com

All rights reserved

ISBN-13:

ISBN-10:

## DIY Pergola Plans – Material List

### Shopping List

4 – 6×6 – 12'

11 – 2×6 – 12'

4 – 2×6 – 10'

11 – 2×2 – 12'

3 1/2" deck screws

### Cutting List

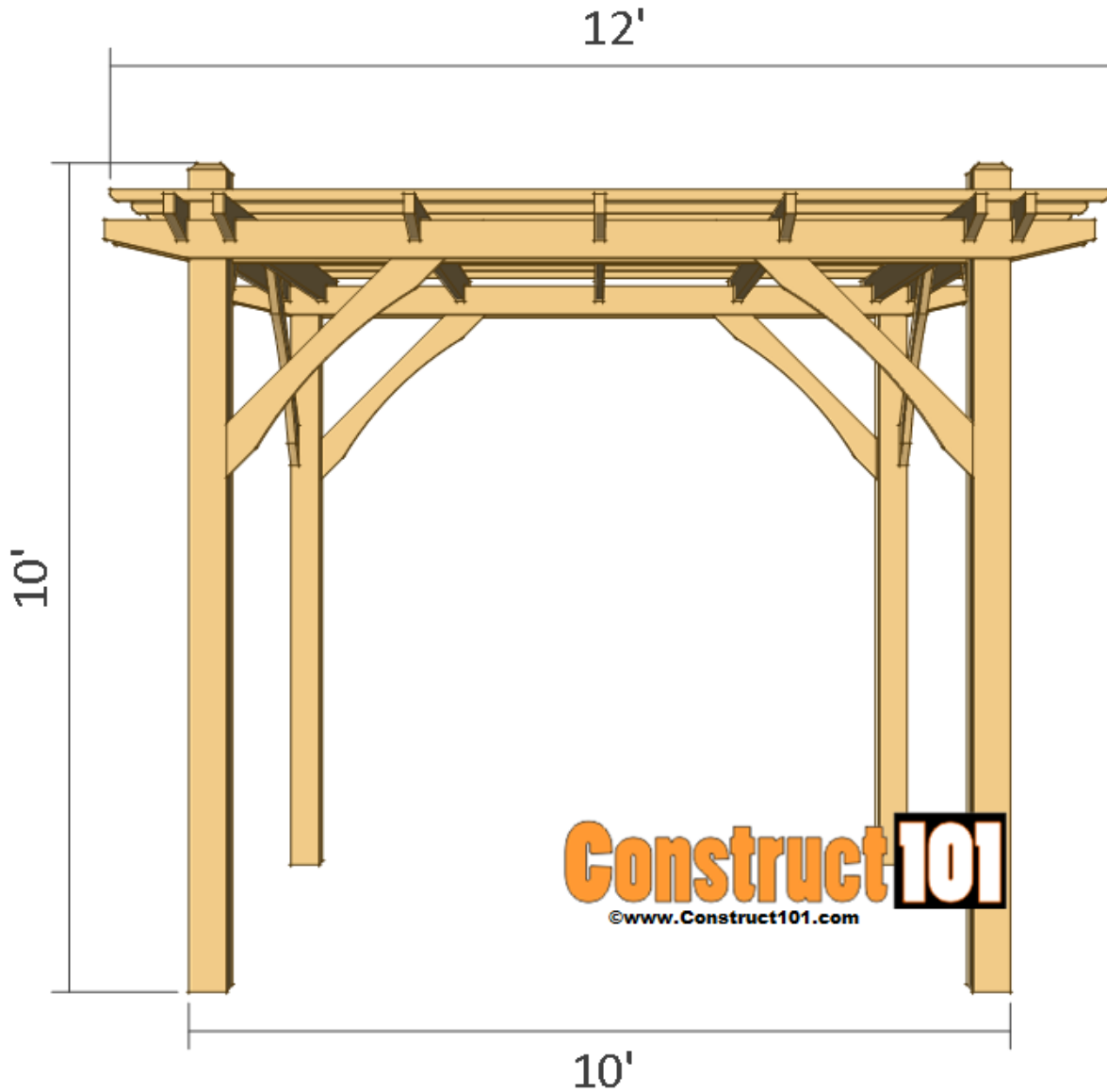
4 – 6×6 -12'

11 – 2×6 – 12'

8 – 2×6 – 4' 4 3/4"

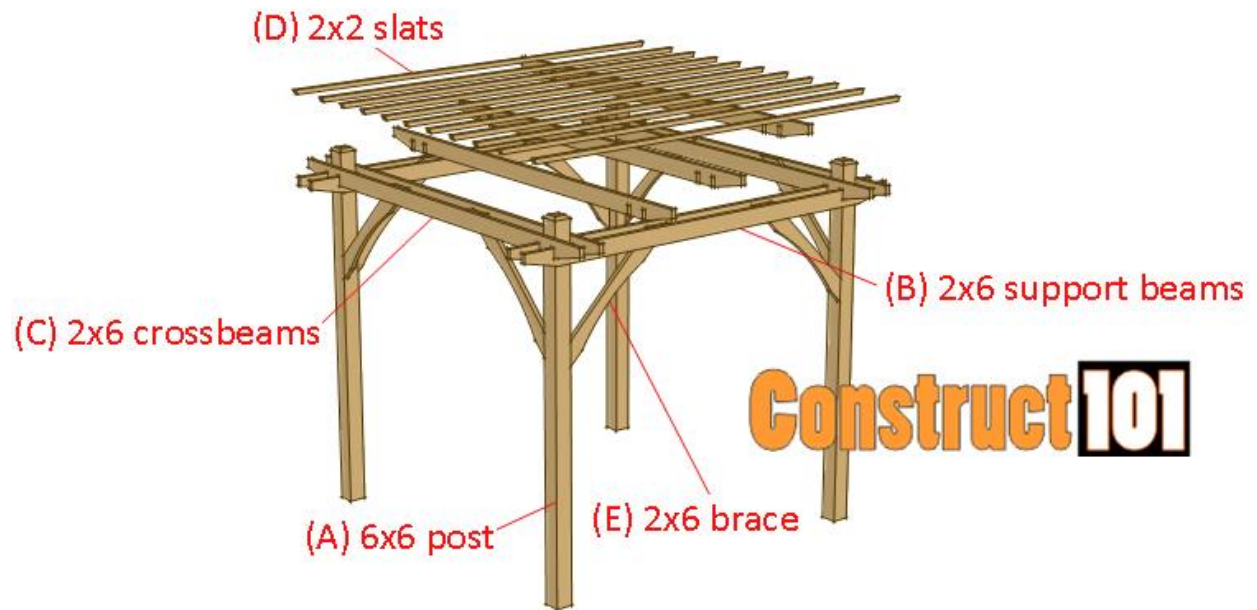
11 – 2×2 – 12'

## DIY Pergola Plans – Overview

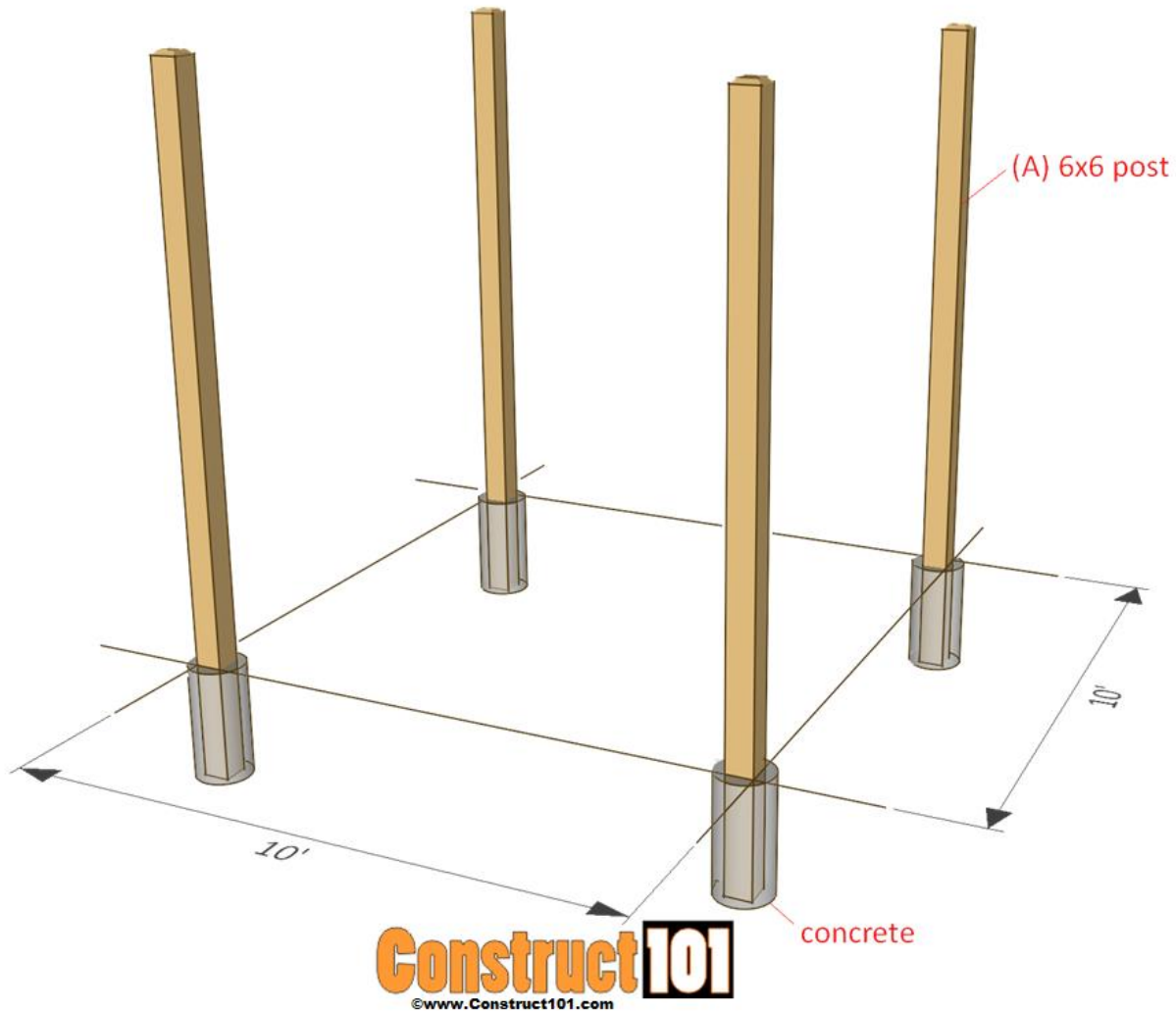


The pergola measures 10'x10' on the bottom and 12'x12' on the top.

## DIY Pergola Plans – Overview



## DIY Pergola Plans – Assembly



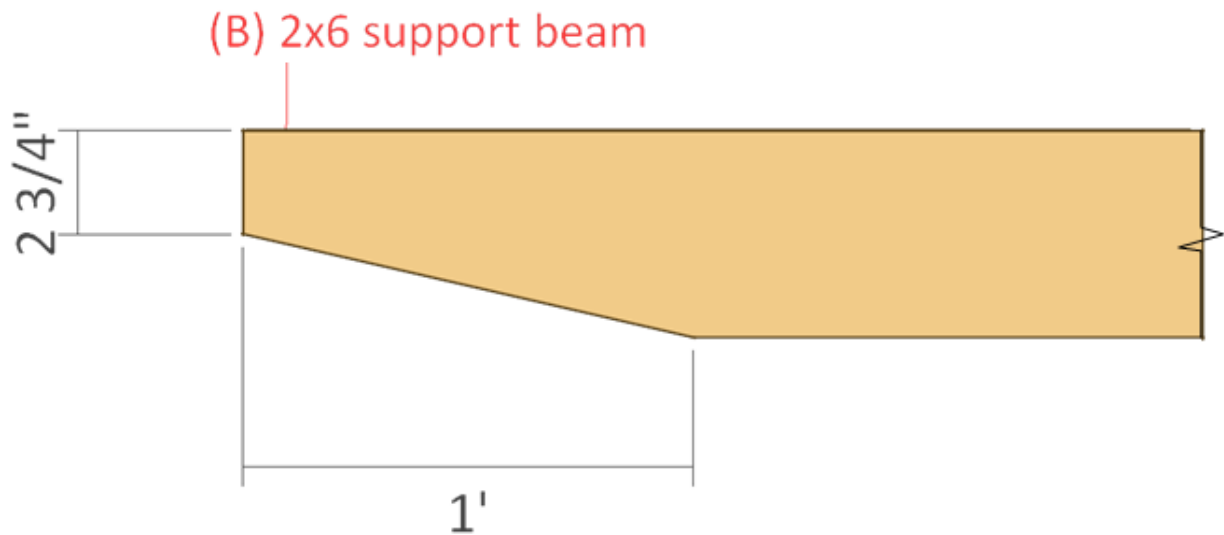
Measure a 10'x10' area making sure it is squared by measuring diagonally in both directions.

Use 12' long 6x6 poles (A) with 2' in the ground with concrete as shown in illustration above. If you are using anchors on the poles use 10' 6x6 poles.

Use a level to make sure all the poles are leveled.

Once the poles are set make sure all the poles are the same height, you can use a string level for this. Cut poles if needed to get them level.

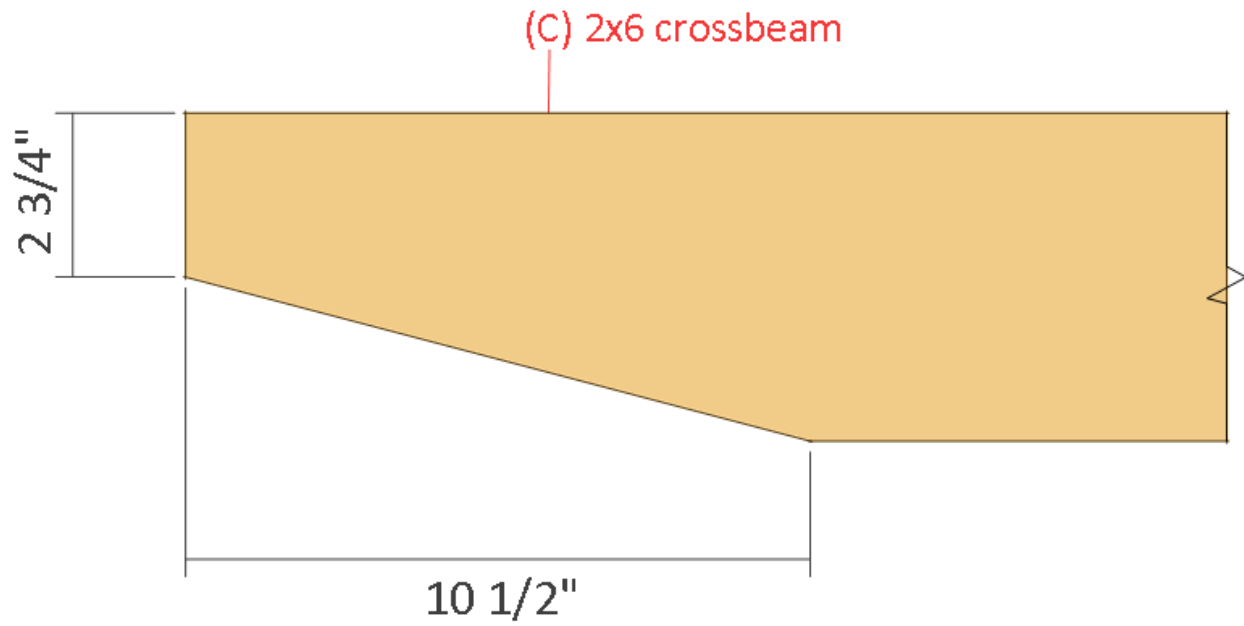
The top edges on the pole can be cut for a nicer appearance, illustration above shows the edges cut at a 45 degree.



Use four 12' long 2x6's for the support beams (B), cut the ends as shown on illustration above.

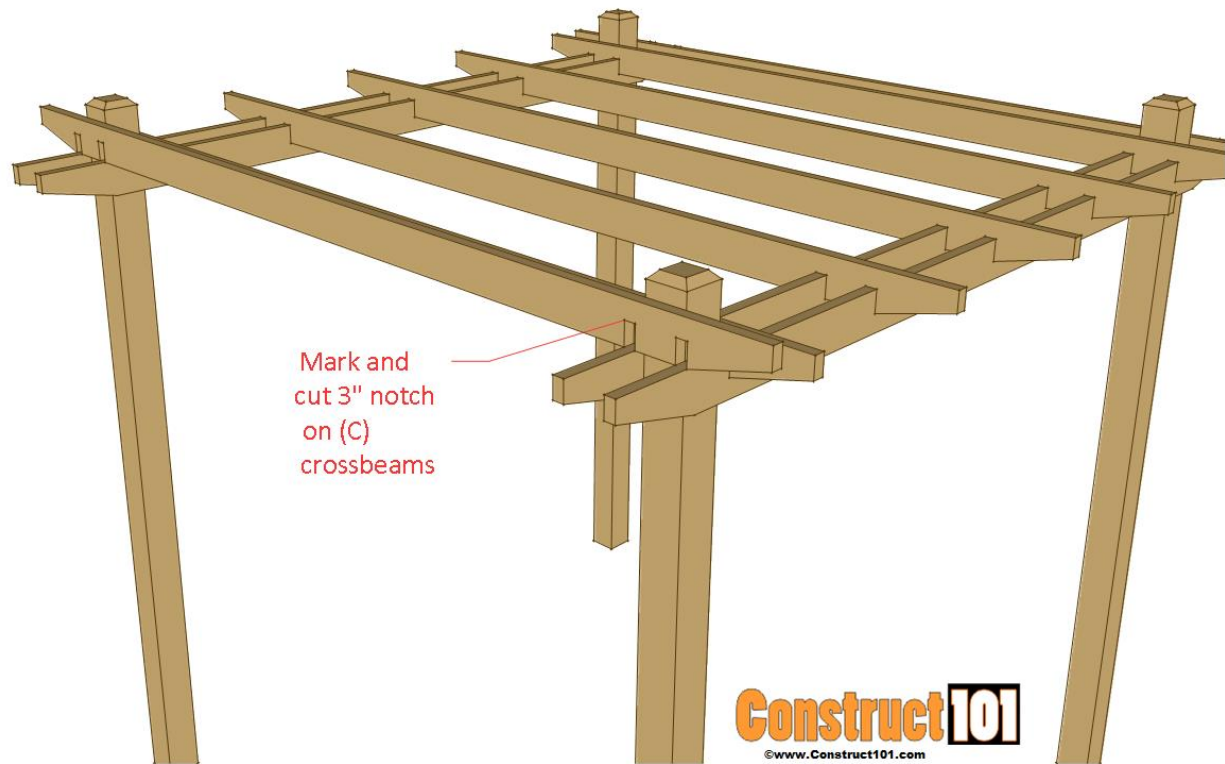


Install the support beams (B) as shown on illustration above, use clamps to hold the support beams in place, secure with 3 1/2" deck screws.



Use seven 12' long 2x6's for the crossbeams (C), cut the ends as shown on illustration above.

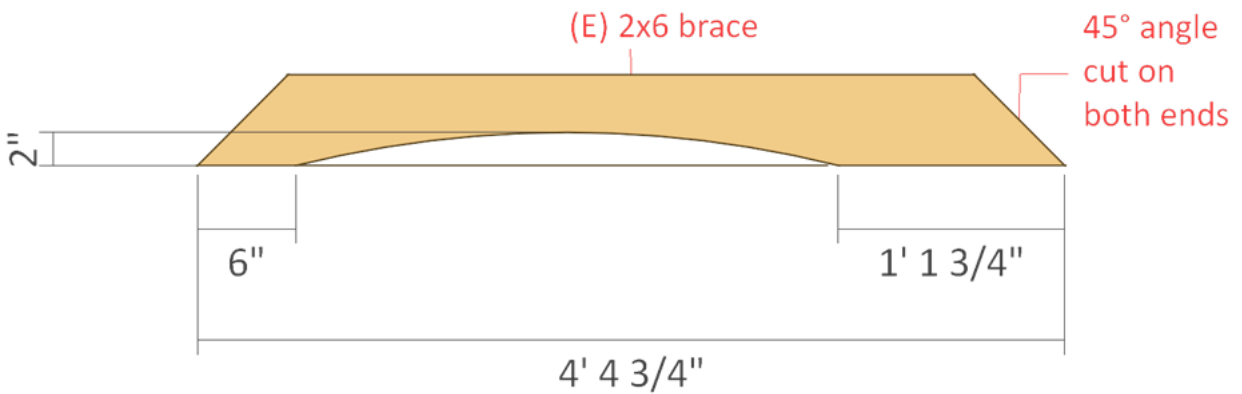




Lay the crossbeams (C) in place and mark where the 3" notch will go. Secure the crossbeams using 3 1/2" deck screws.



Use eleven 12' long 2x2's for the slats. The ends can be cut for a nicer appearance, illustration above shows end cut at 45 degree. Use 3 1/2" deck screws to secure the slats.



Cut eight 2x6's to 4' 4 3/4" for the brace (E), cut as shown on illustration above.



Install the brace (E) to the pergola using 3 1/2" deck screws as shown on illustration above.