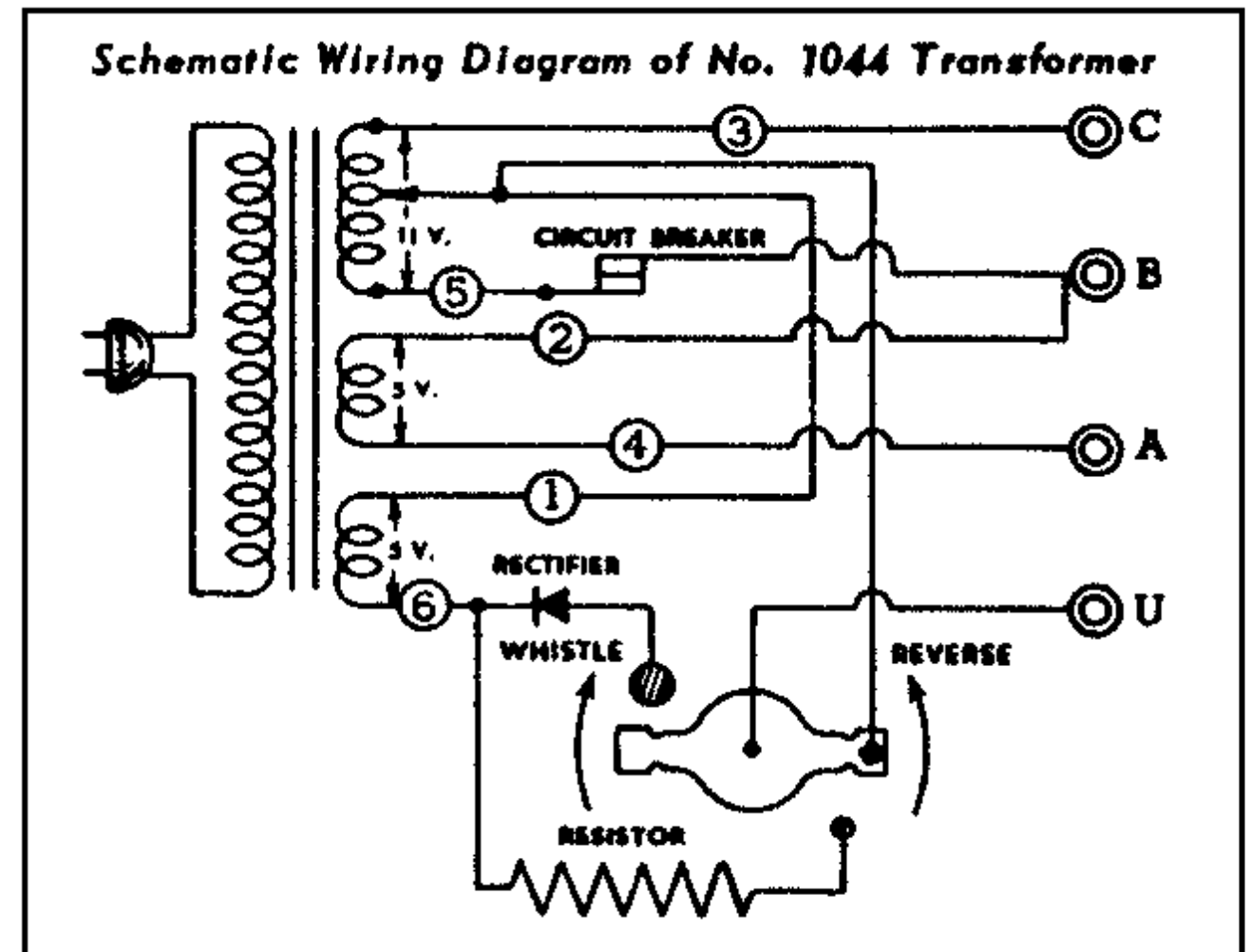


NO. 1044 TRANSFORMER

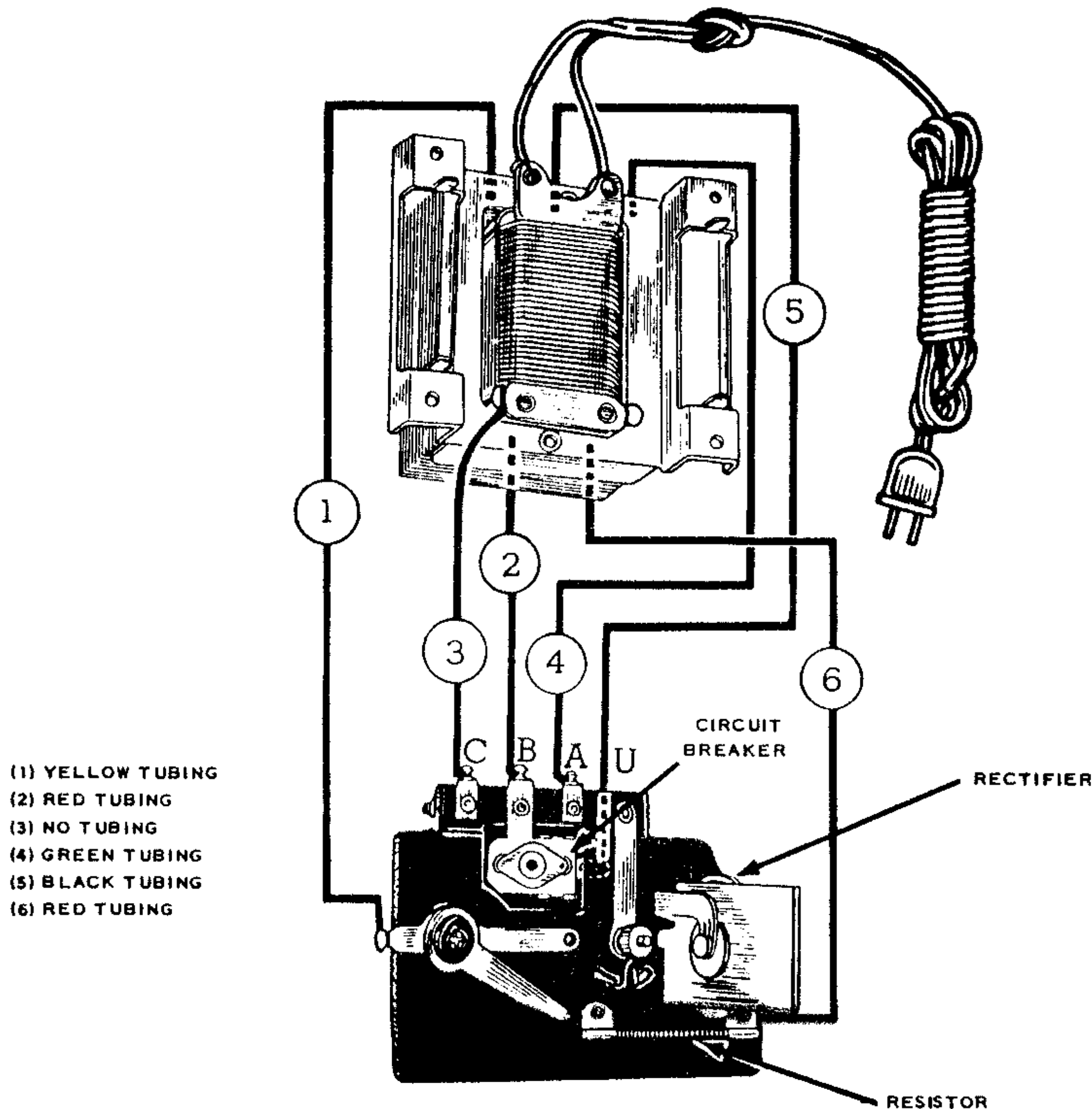
No. 1044 Transformer is a modernized version of No. 1033 Transformer, described in Section PS-1032 and is similar to it electrically.

While the case, bearing plate and several other components have been redesigned, their assembly and wiring remain substantially the same, with the main change being the replacement of the long resistance wire assembly in the whistle control circuit with a short wound resistor riveted to the bearing plate.

In the same series, and differing only in nameplates and coil windings, are export transformers No. 1044M, made for 125-volt 50-cycle lines used in Mexico, and No. 1244, with a coil designed for use with 220-250 volts 50-60 cycles.

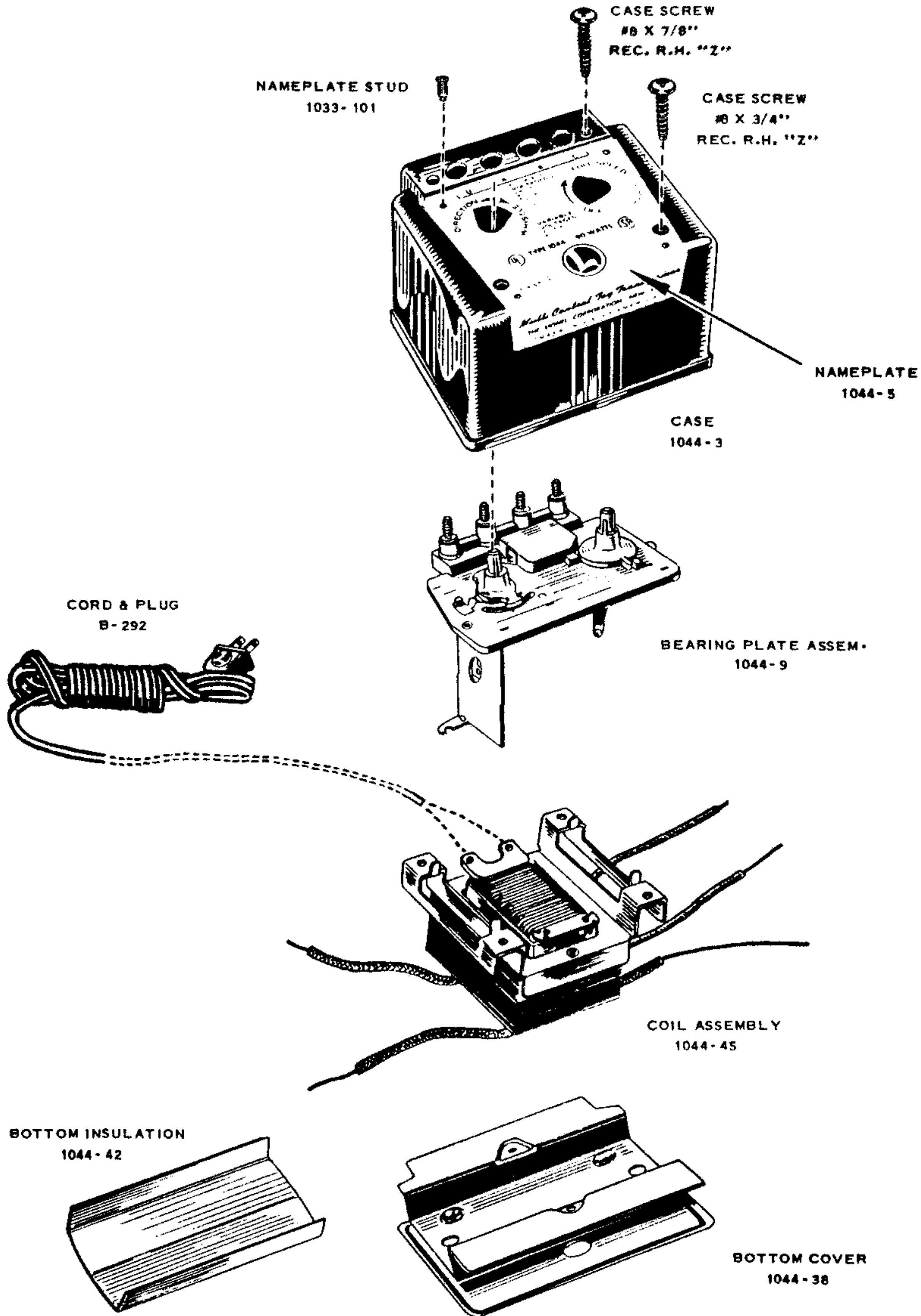


Pictorial Wiring Diagram of No. 1044 Transformer



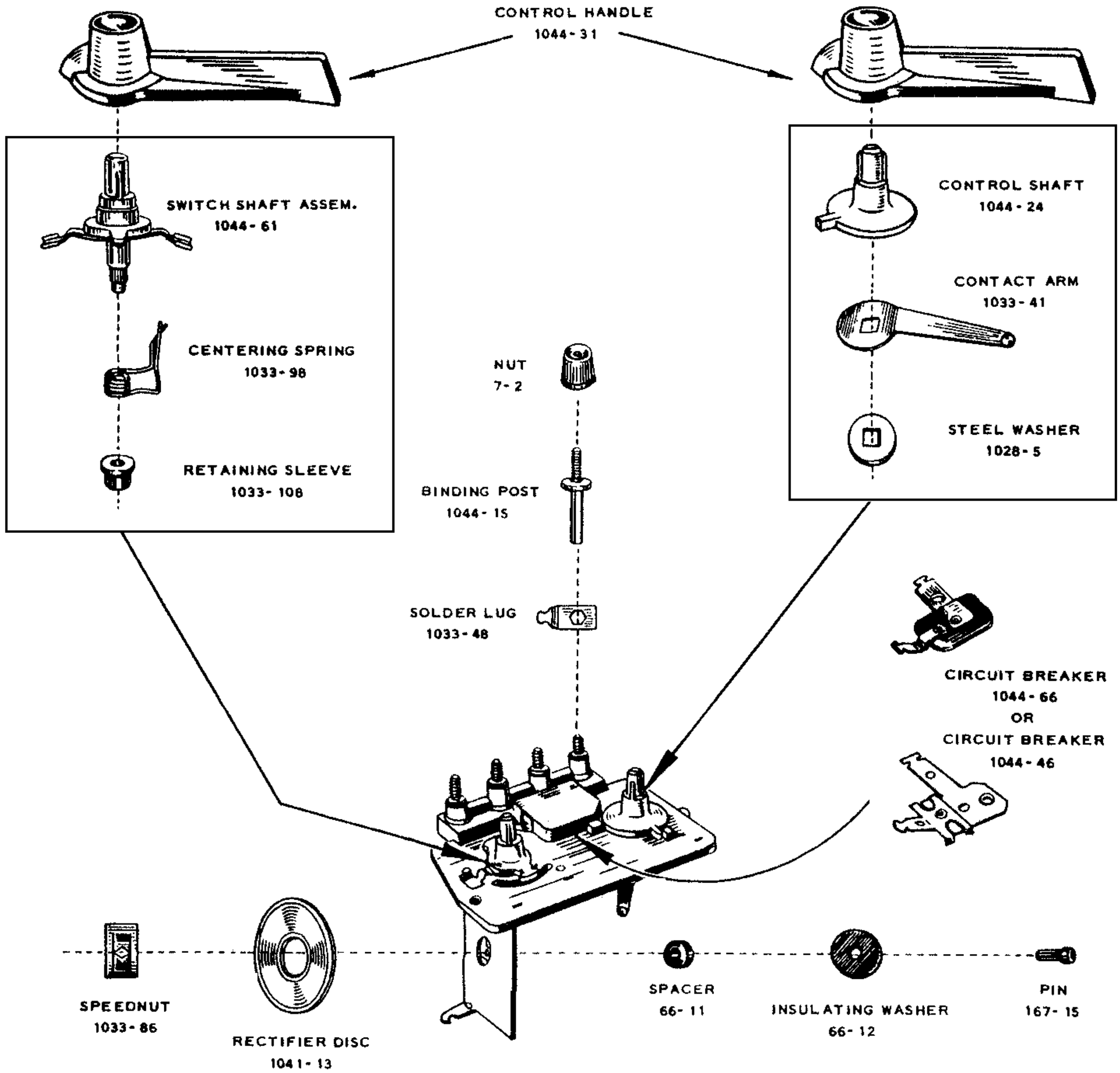
SERVICE MANUAL

OTTP:PS



SERVICE MANUAL

0TTP:95



SERVICE MANUAL

OTTP-95

REPLACEMENT PARTS FOR TRANSFORMER NO. 1044

| Part No. | Bin | Description | List Price |
|----------|------|----------------------|------------|
| 7-2 | M-51 | Nut | .15 |
| 66-11 | H-97 | Spacer | .05 |
| 66-12 | H-97 | Insulating Washer | .02 |
| 167-15 | J-91 | Pin | .05 |
| 1028-5 | N-71 | Steel Washer | .05 |
| 1033-41 | N-62 | Contact Arm | .30 |
| 1033-48 | N-72 | Solder Lug | .05 |
| 1033-86 | O-88 | Speednut | .05 |
| 1033-98 | N-71 | Centering Spring | .20 |
| 1033-101 | N-72 | Nameplate Stud | .02 |
| 1033-108 | N-82 | Retaining Sleeve | .10 |
| 1041-13 | N-73 | Rectifier Disc | .75 |
| 1044-3 | N-21 | Case | 4.00 |
| 1044-5 | R-86 | Nameplate | 1.00 |
| 1044-9 | R-65 | Bearing Plate Assem. | 4.00 |
| 1044-15 | R-86 | Binding Post | .10 |
| 1044-24 | R-86 | Control Shaft | .20 |
| 1044-31 | R-55 | Control Handle | .50 |
| 1044-38 | R-96 | Bottom Cover | 1.00 |
| 1044-42 | R-96 | Bottom Cover Insul. | .10 |
| 1044-45 | M-19 | Coil Assem. | 4.75 |
| 1044-46 | R-96 | Circuit Breaker | 1.50 |
| 1044-61 | R-86 | Switch Shaft Assem. | .40 |
| B-292 | N-44 | Cord & Plug | 1.00 |
| 8 x 3/4" | | Rec. RH"Z"Case Scr. | .02 |
| 8 x 7/8" | Q-81 | Rec. RH"Z"Case Scr. | .02 |