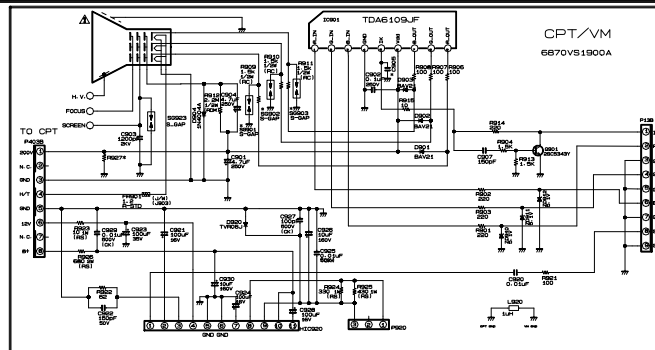
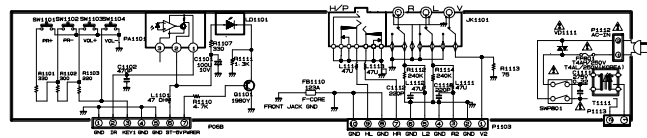


<Q20 CONTROL PWB ASSY>



NOTICE

Since this is a test circuit diagram, the value of components are not to be changed for improvement without notice.

The component values are subject to 10% or 20% tolerances and are essential for safe operation of the TV receiver.

Use specified parts only when indicated.

Value of resistor, capacitor and inductor

1. Resistor values are shown in ohms, 10's, 100's, and 1000's.

2. Resistor values less than 1 are expressed in milliohms (m).

3. Resistor values more than 1 are expressed in kilohms (k).

4. Resistor values more than 10 are expressed in megohms (M).

5. Resistor values are shown in ohms, 10's, 100's, and 1000's.

6. Resistor values less than 1 are expressed in milliohms (m).

7. Resistor values more than 1 are expressed in kilohms (k).

8. Resistor values more than 10 are expressed in megohms (M).

Observation of voltages and waveforms

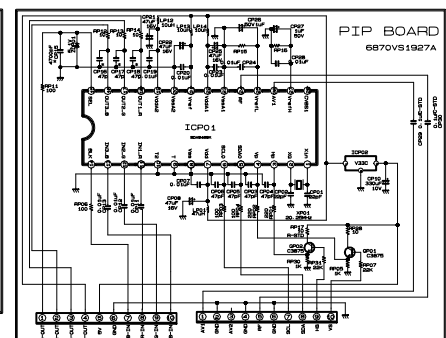
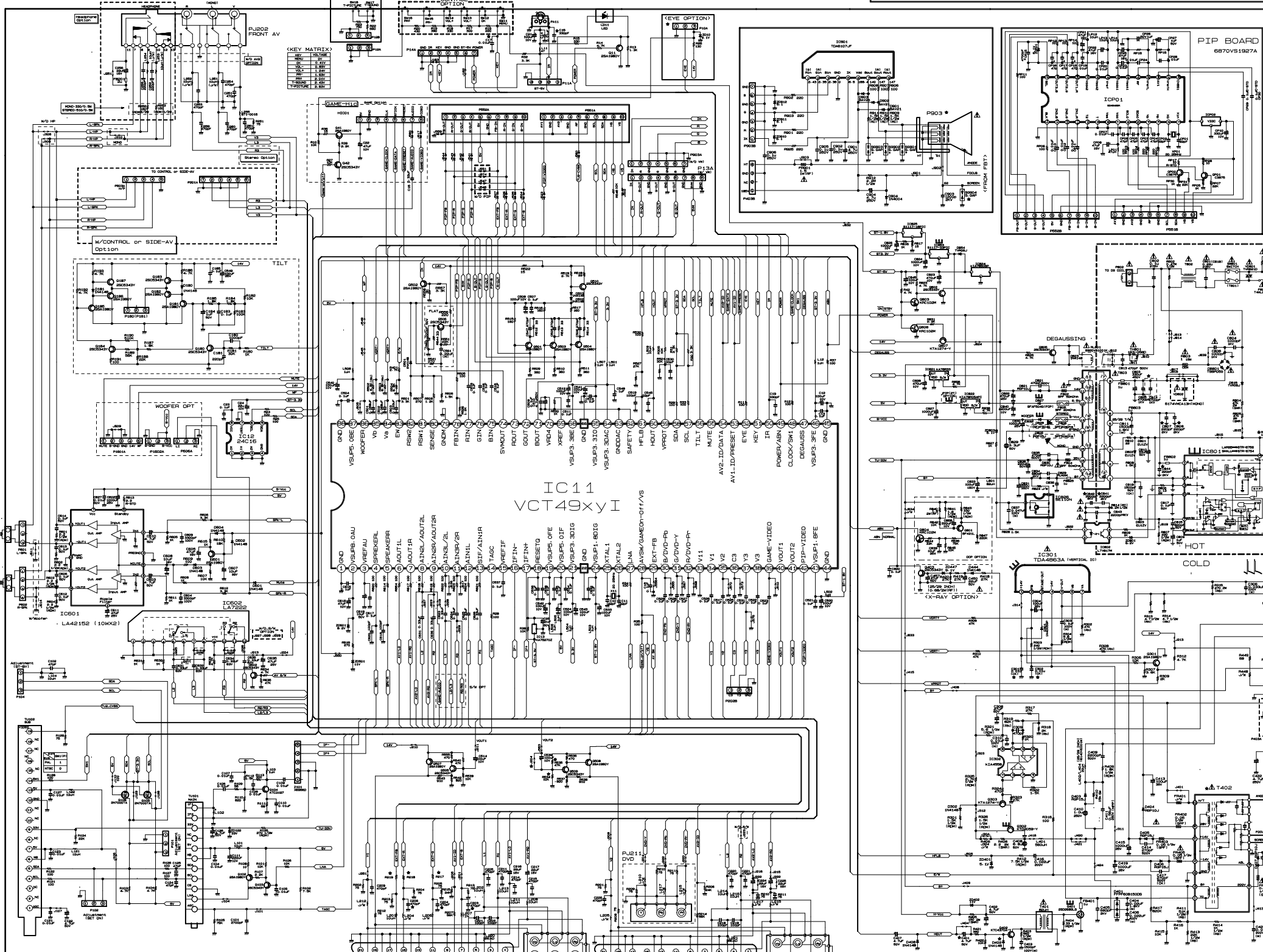
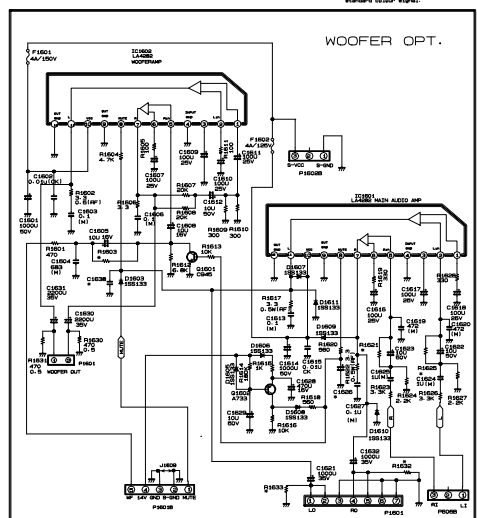
1. Voltages read with VOM from source to source ground.

2. Line voltage is 200V-260V AC.

3. All waveforms are taken using a scope with 10:1 probe.

4. Check PWB TAPING AND CONTACTS. WELDING AND CLEAN CONTACTS FOR BEST RESULTS. MAKE SURE THAT CONTACTS ARE PROPERLY MADE AND CONTACT IS AT THE CORRECT LOCATION.

5. Waveforms are taken using a standard color signal.



<VCT1 VERSION>

| VERSION | SPEC |
|---------|---------------------|
| VCT4973 | PAL, RF-ST, W/TXT |
| VCT4973 | PAL, AV-ST, W/TXT |
| VCT4964 | PAL, AV-ST, W/O TXT |
| VCT4963 | PAL, RF-ST, W/O TXT |
| VCT4821 | NTSC, MONO |
| VCT4842 | NTSC, RF-ST |

JK201 SCART1 FULL SCART or PHONO JACK (A/V1)

JK202 SCART2 HALF SCART or PHONO JACK (A/V2)