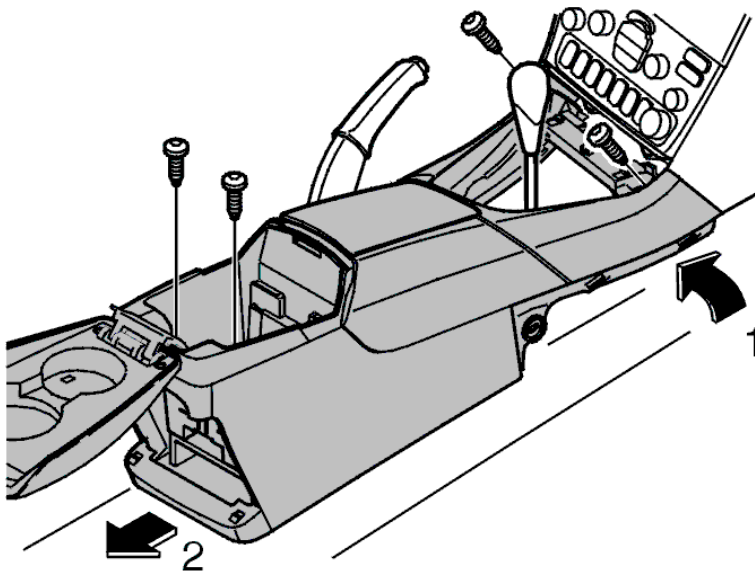


## Centre console, replacing



**Note!** As the illustrations in this service information are used for different model years and / or models, some variation may occur. However, the essential information in the illustrations is always correct.

Centre console assembly,  
replacing

Preparatory work

Move the seat to the rearmost and lowest position.  
Fully apply the handbrake.  
Shift the gear selector lever to neutral.

Removing centre tunnel  
console

Remove:

- the pen holder. See [Pen holder:Removing the pen holder](#)
- the side panel. See [Centre console, replacing:Replacing the side panel](#)
- the gear shift selector. See [Centre console, replacing:Replacing the gear selector panel](#)
- the coin holder/CD storage compartment in the rear centre console locker. See [Centre console, replacing:Removing the coin holder or CD compartment](#)
- the side piece for the handbrake. See [Centre console, replacing:Replacing the handbrake panel](#)
- the rear ashtray/panel. See [Centre console, replacing:Replacing the rear ashtray](#) .

Separate the cable harness at the rear edge of the centre console.  
Slacken off the 2 screws at the front edge of the centre console and the 2 screws at the rear edge.  
Carefully lift the front edge of the

centre console.  
Then lift the rear edge and slide the centre console over the handbrake.

Installing the centre tunnel console

Lift the centre console over the handbrake.

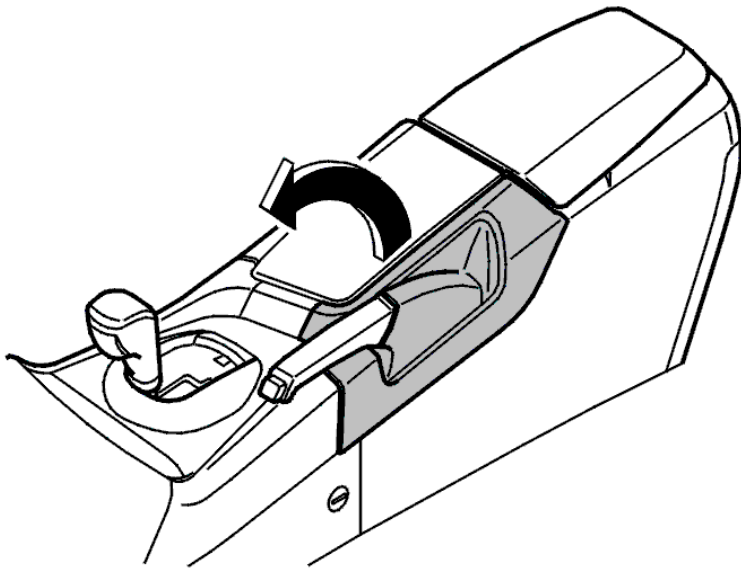
Guide the front edge of the centre console towards the guide lugs.

**Note!** Ensure that the centre console reaches the floor and that no connectors or wiring is trapped.

Install:

- the connectors at the rear edge of the centre console
- the rear ashtray/panel. See [Centre console, replacing:Replacing the rear ashtray](#)
- the side piece for the handbrake. See [Centre console, replacing:Replacing the handbrake panel](#)
- the coin holder/CD storage compartment in the rear centre console locker. See [Centre console, replacing:Removing the coin holder or CD compartment](#)
- the gear shift selector. See [Centre console, replacing:Replacing the gear selector panel](#)
- the side panel. See [Centre console, replacing:Replacing the side panel](#)
- the pen holder. See [Pen holder:Removing the pen holder](#) .

Components centre console, replacing



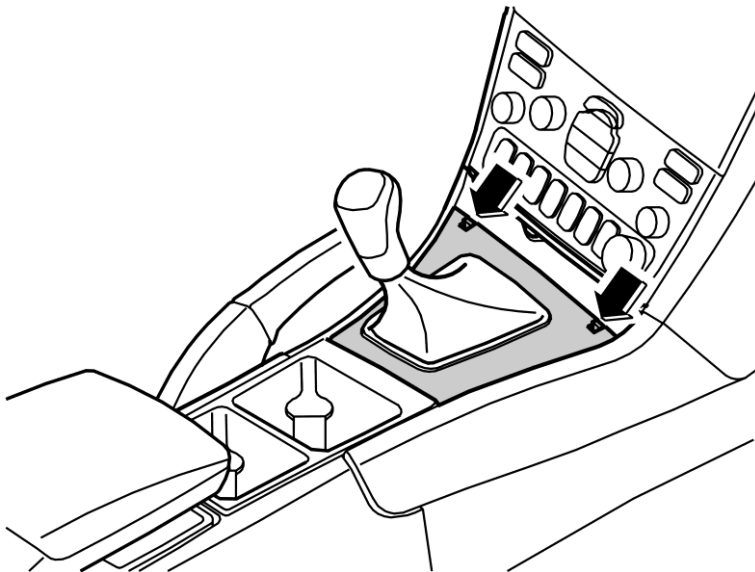
#### Replacing the handbrake panel

- Open the armrest hatch and the cover on the cup holder
- Thread the boot over the handbrake lever.

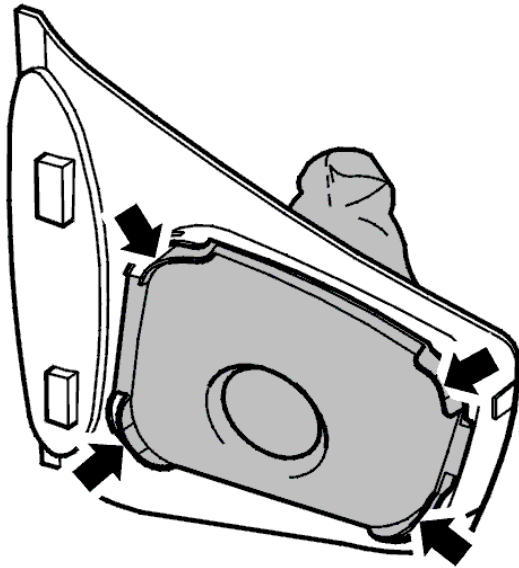
Install:

In reverse order.

#### Replacing the gear selector panel



- Remove the pen holder panel
- Move the gear selector to a rear position
- Release the catches at the front edge
- Lift the front edge of the panel
- Lift up the panel.



Release the four catches on the underside.  
 Press up the inner section of the panel.  
 Release the frame.  
**Note!** Do not pull or lift the boot.  
 Doing so could damage the seams.

Install:  
 In reverse order.

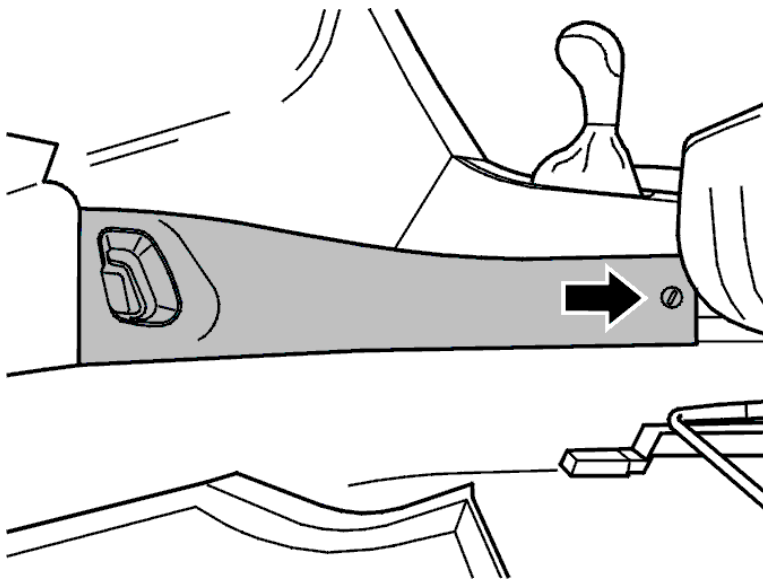
Replacing the side panel

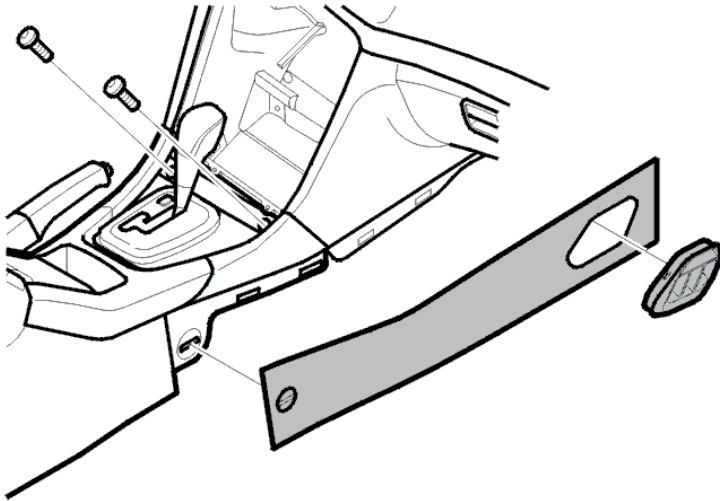
- Remove the soundproofing panel
- Move the front seat to the rearmost position
- Turn the clips a ¼ turn.

**Hint:**

Use a washer or a coin.

- Slide the panel backwards
- Remove the panel.

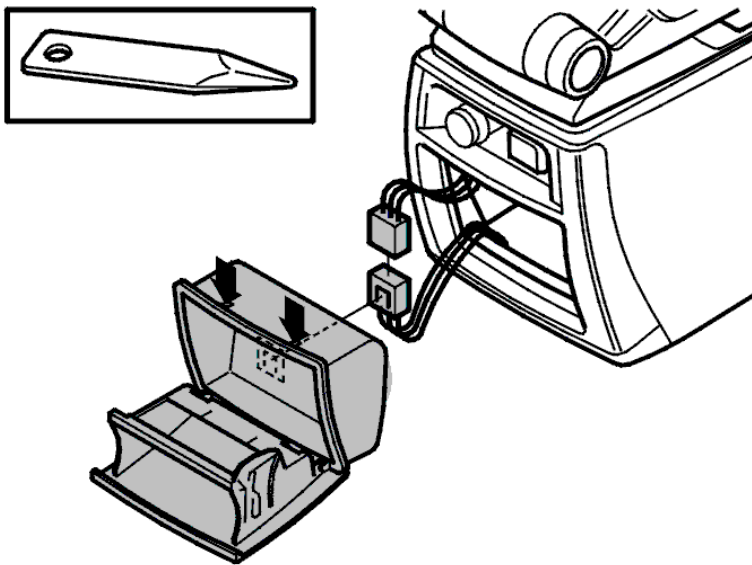




- Unsnap the nozzle.

Install:  
In reverse order.

#### Replacing the rear ashtray



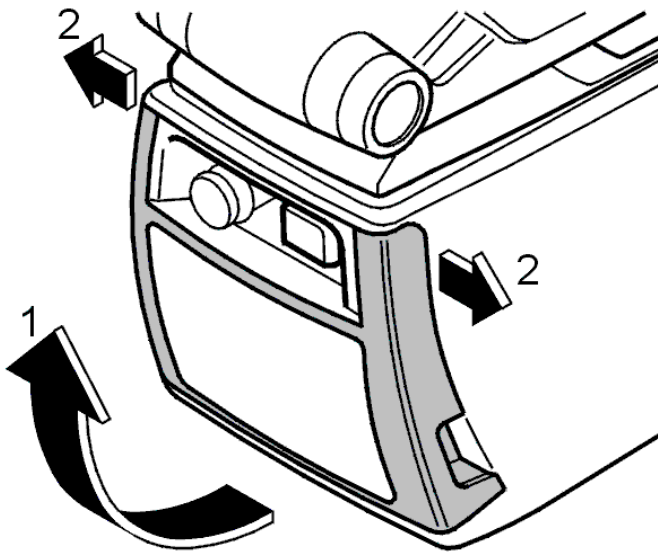
- Open the ashtray so that it passes the hooks
- Release the catches on one side. Use a screwdriver
- Pull the same side straight out
- Carry out the above procedure on the other side
- Remove the connector.

Install:  
In reverse order.

#### Replacing the front box

- Slacken off the 4 screws on the underneath
- Fold the box forwards and downwards.

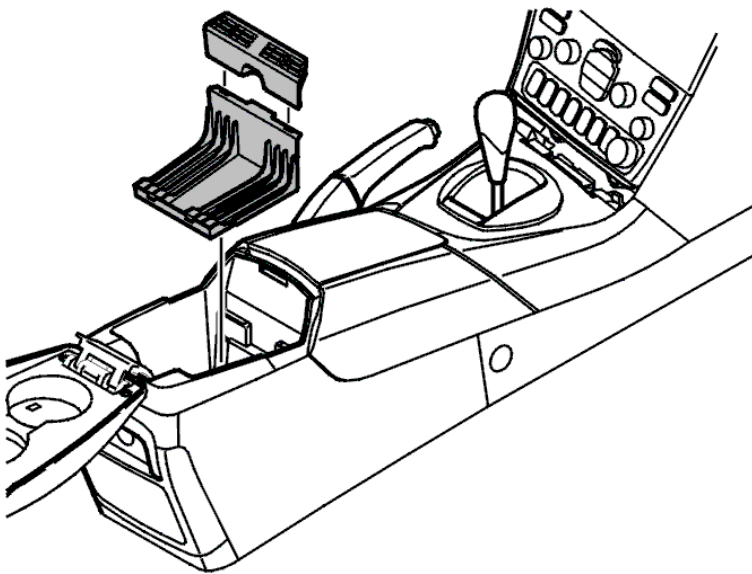
Install:  
In reverse order.



#### Replacing the rear section

- Open the armrest
- Unclip the blind cover plug for the hinge. Use a screwdriver
- Slide the cover forward
- Remove the two screws for the armrest
- Remove the armrest assembly by twisting it and pulling it straight up
- Slacken off the two screws for the rear section under the hinge mounting
- Unclip the mounting at the rear edge
- Fold the rear section backwards
- Pull straight upwards and outwards.

#### Removing the coin holder or CD compartment



Pull the coin holder straight up. Detach the CD compartment by releasing the catch at the front edge. Lift straight up.

#### Removing the handset

Remove the handset. See [Handset, replacing](#) .