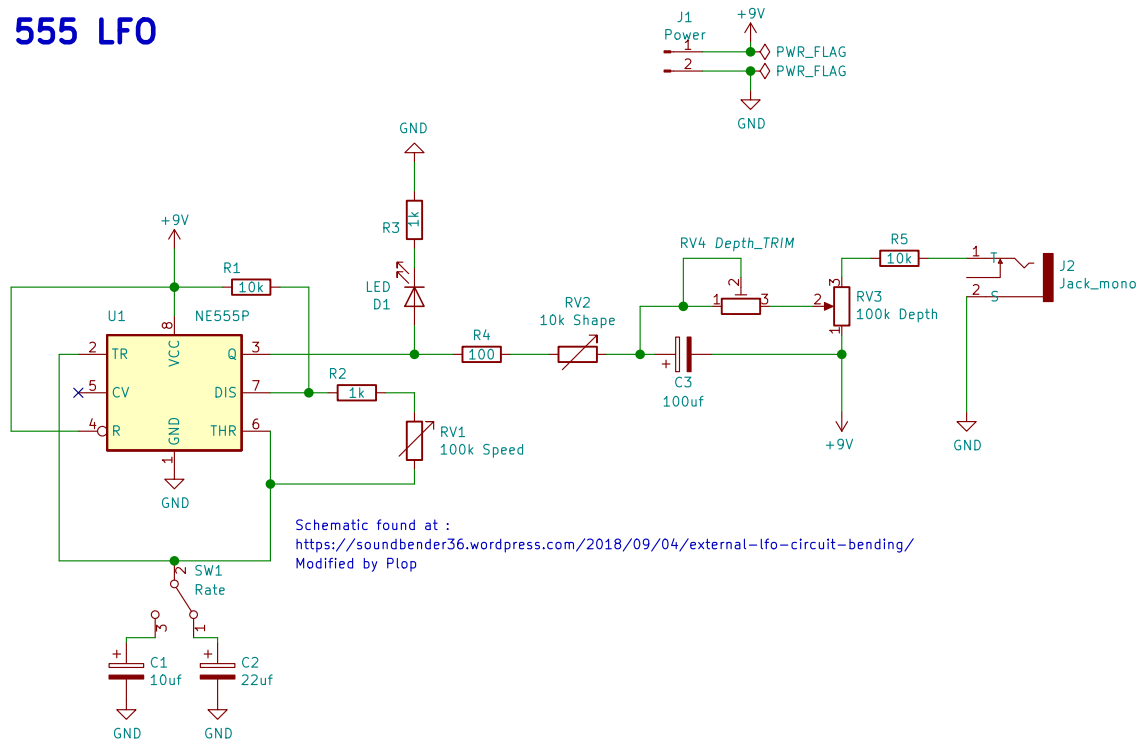


555 LFO



Schematic found at :
<https://soundbender36.wordpress.com/2018/09/04/external-lfo-circuit-bending/>
Modified by Plop

Sheet: /
File: 555-LFO.sch

Title:

Size: A4 Date:
KiCad E.D.A. kicad 5.1.5+dfsg1-2build2

Rev:
Id: 1/1