

Service Manual

Created: 21 May 2015



333-212 INFINIUM

Hardcore 120-Watt 3-Channel Tube Combo with Reverb and INFINIUM Tube Life Multiplier

Specifications	2
PCB Schematic	3
Parts List	11
Exploded Drawing	32

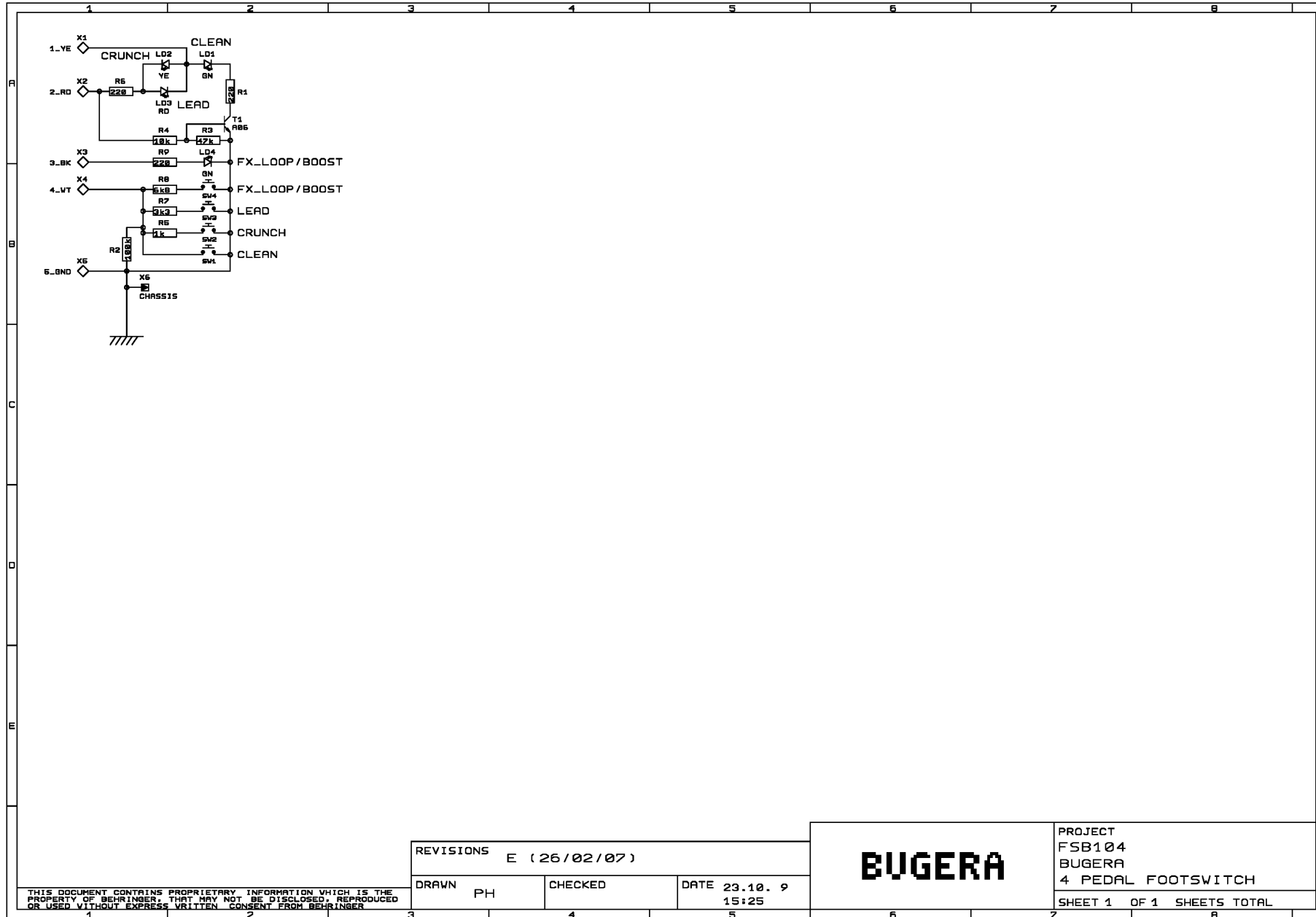
bugera-amps.com

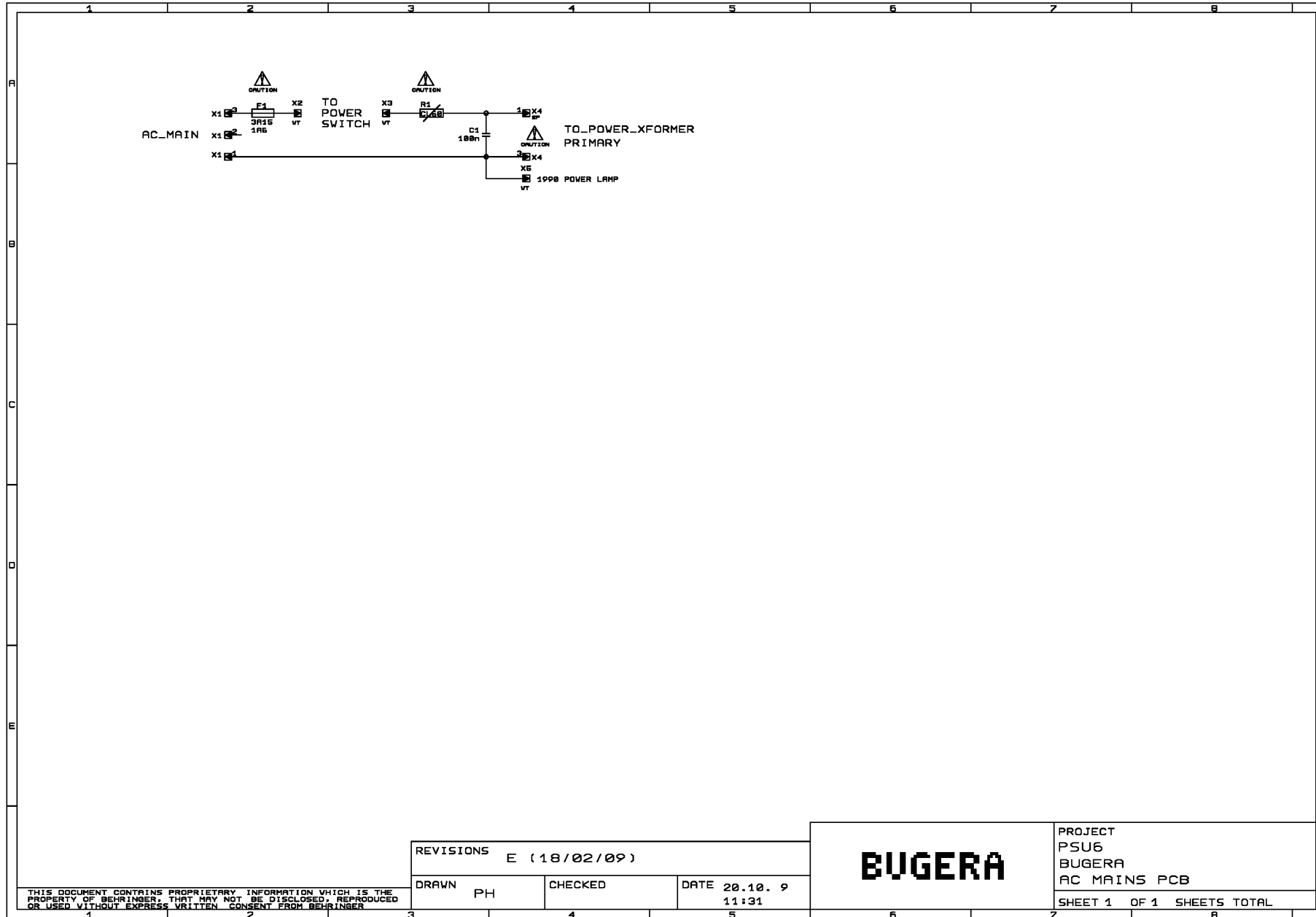
Bugera

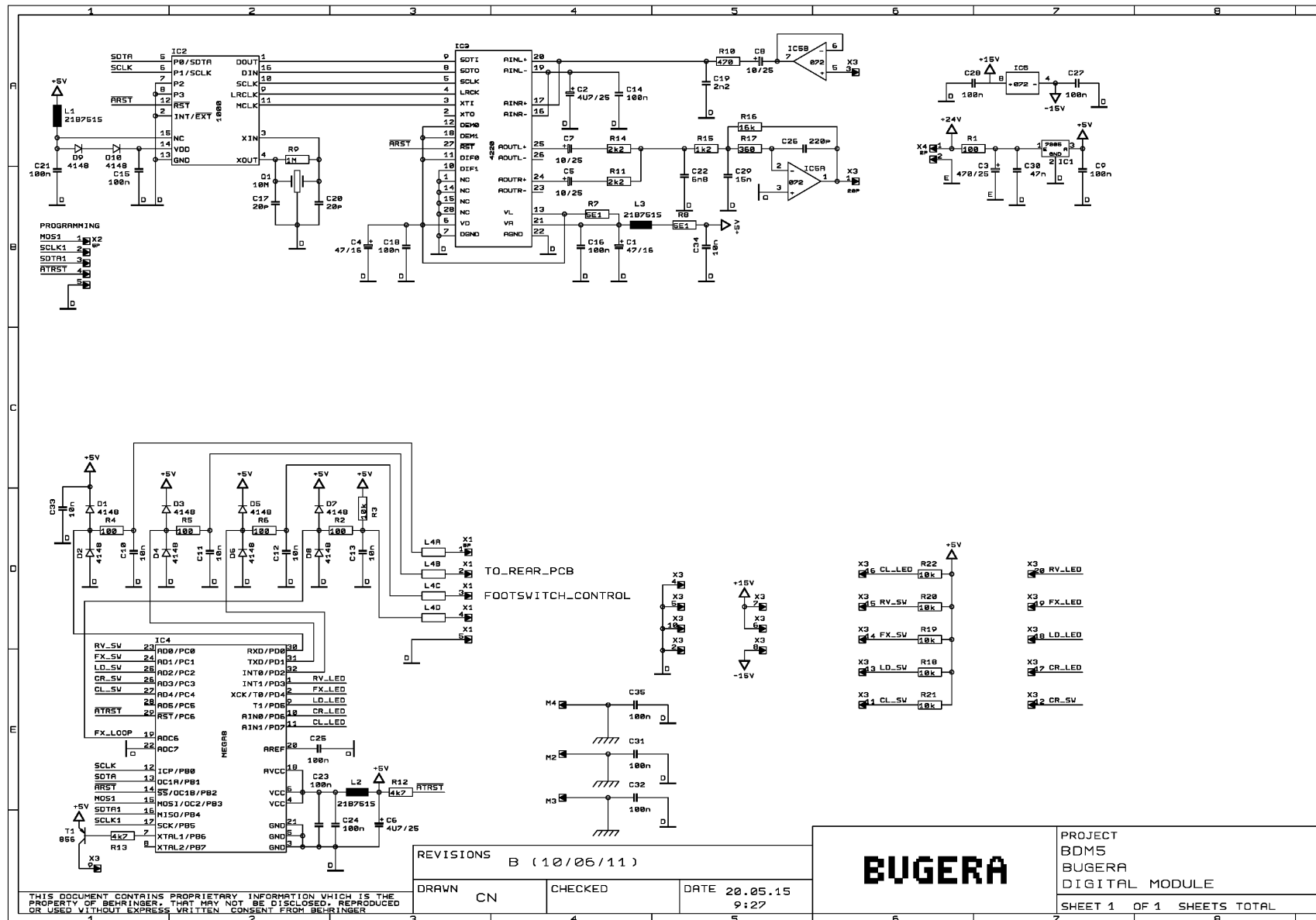
333-212 INFINIUM

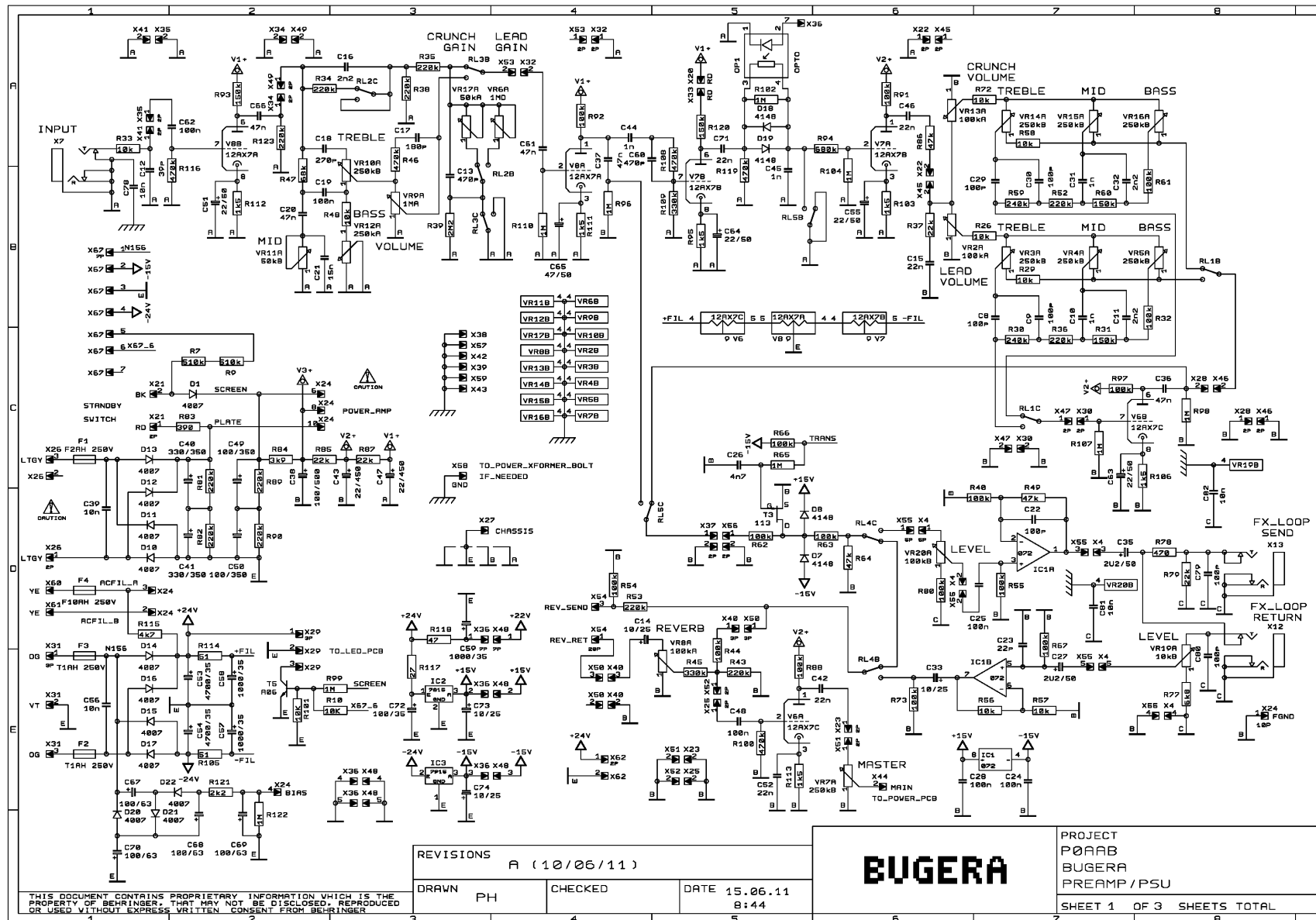
Specifications

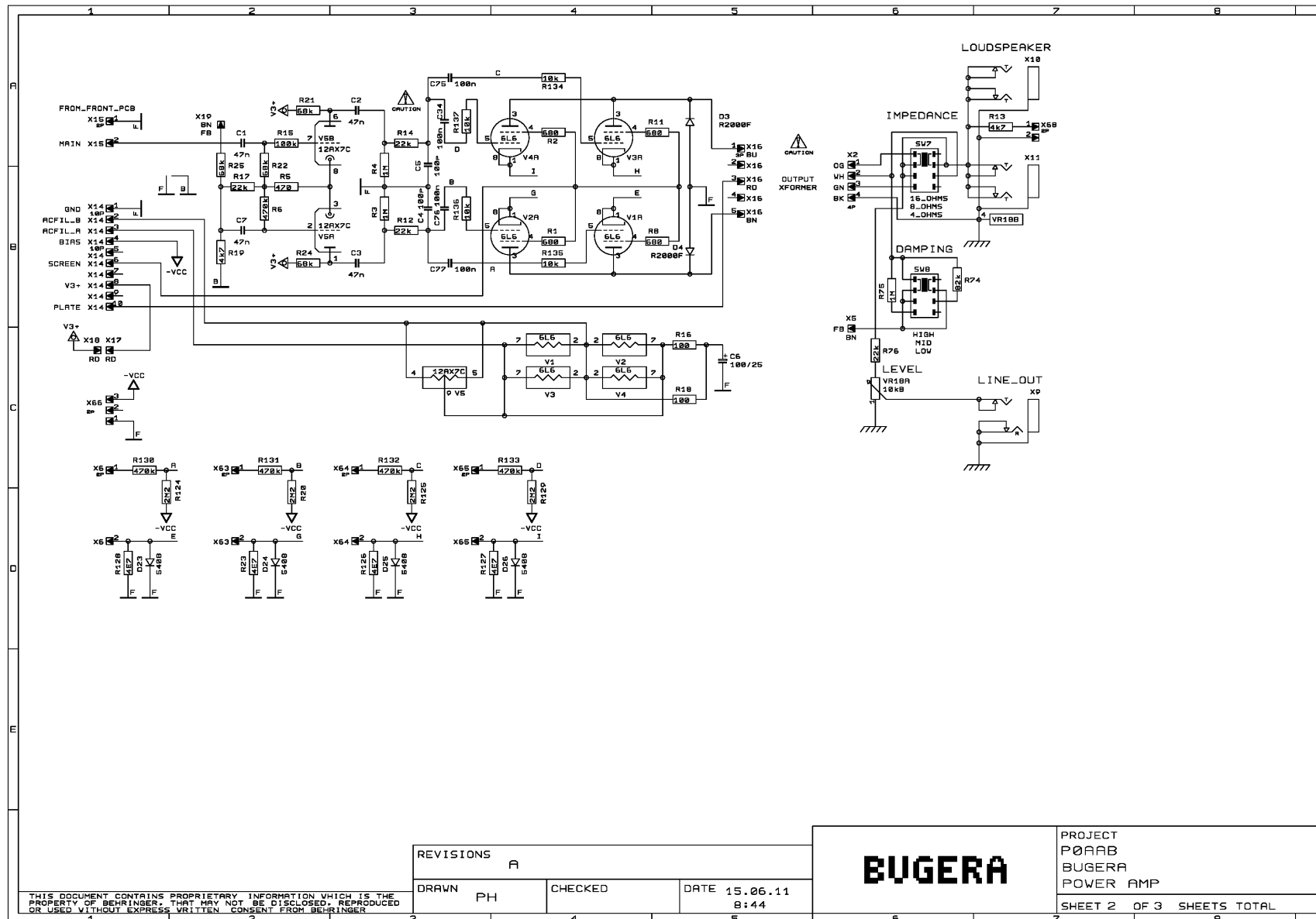
- Hand-built and hand-wired 120-Watt Class A/B amplifier driven by 4 x 6L6 tubes (now fully compatible with EL34 and 5881, etc.)
- 2 original 12" BUGERA guitar speakers optimized for tight low-end and modern-vintage mids
- Modern 3-channel preamp design (Clean, Crunch, Lead) featuring 4 x 12AX7 tubes for boutique clean and face-melting hi-gain tone
- Integrated high-class reverb is assignable per channel and has a dedicated Reverb control
- Revolutionary INFINIUM Tube Life Multiplier technology:– Extends the life of your amplifier's expensive power tubes up to 20 times.– Provides incredible reliability and consistent tone over the complete lifespan of your tubes – No need for expensive matched tube sets– Allows you to mix and match any combination of compatible tube types and brands – Monitors performance of each power tube continuously and displays defective tubes to allow for easy and individual replacement
- Fully independent Equalizer sections for each channel with dedicated Bass, Mid and Treble control
- Power amp damping switchable (High, Medium, Low) for total sound control
- Remote controlled FX Loop with adjustable Send and Return level also serves as Boost function
- Heavy-duty footswitch for Channel selection and FX Loop/Boost function included
- Line output with dedicated Level control
- Impedance switch (4, 8 and 16 Ohms) to match virtually any speaker cabinet
- 3-Year Warranty Program*
- Designed and engineered by BUGERA Germany

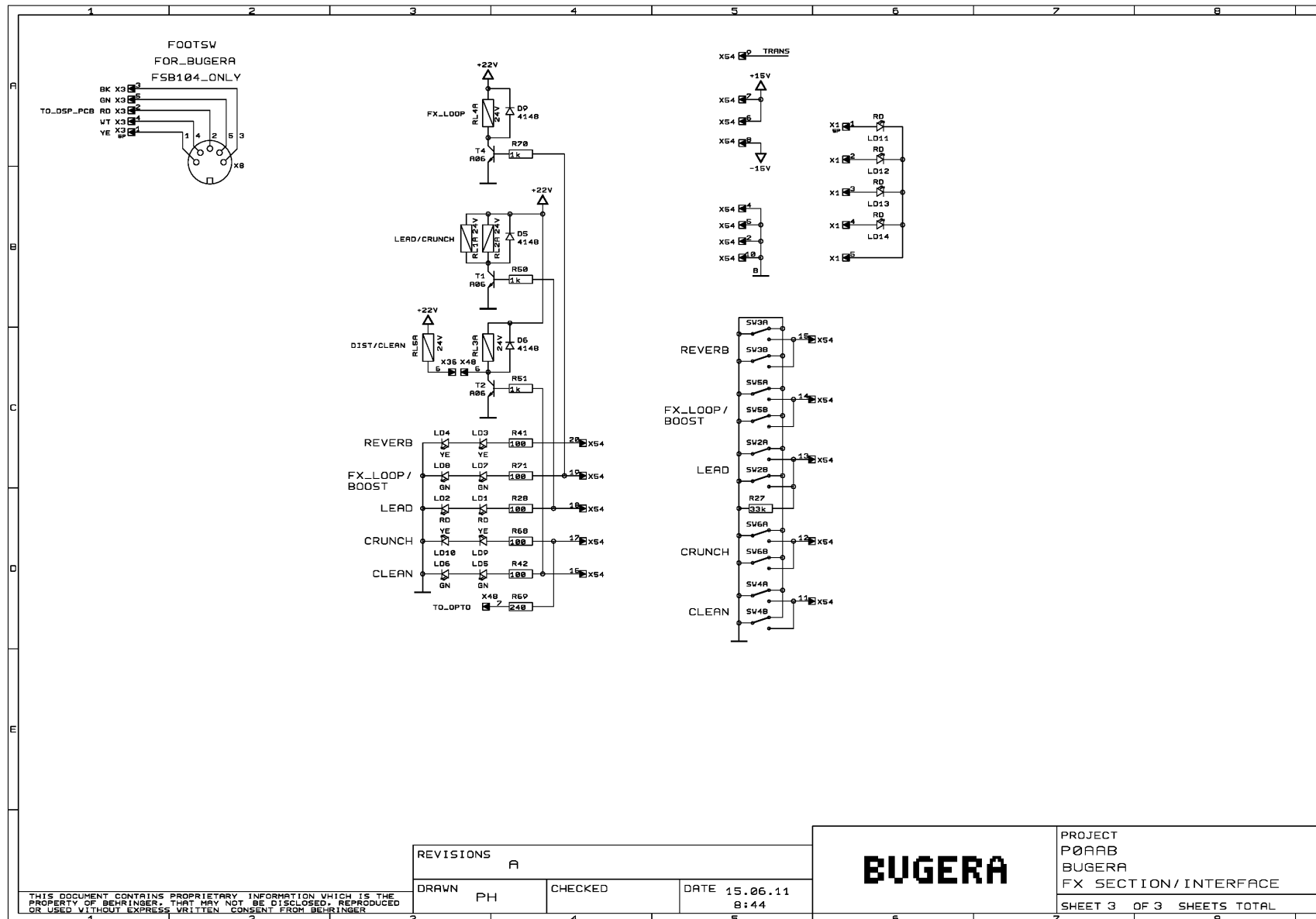


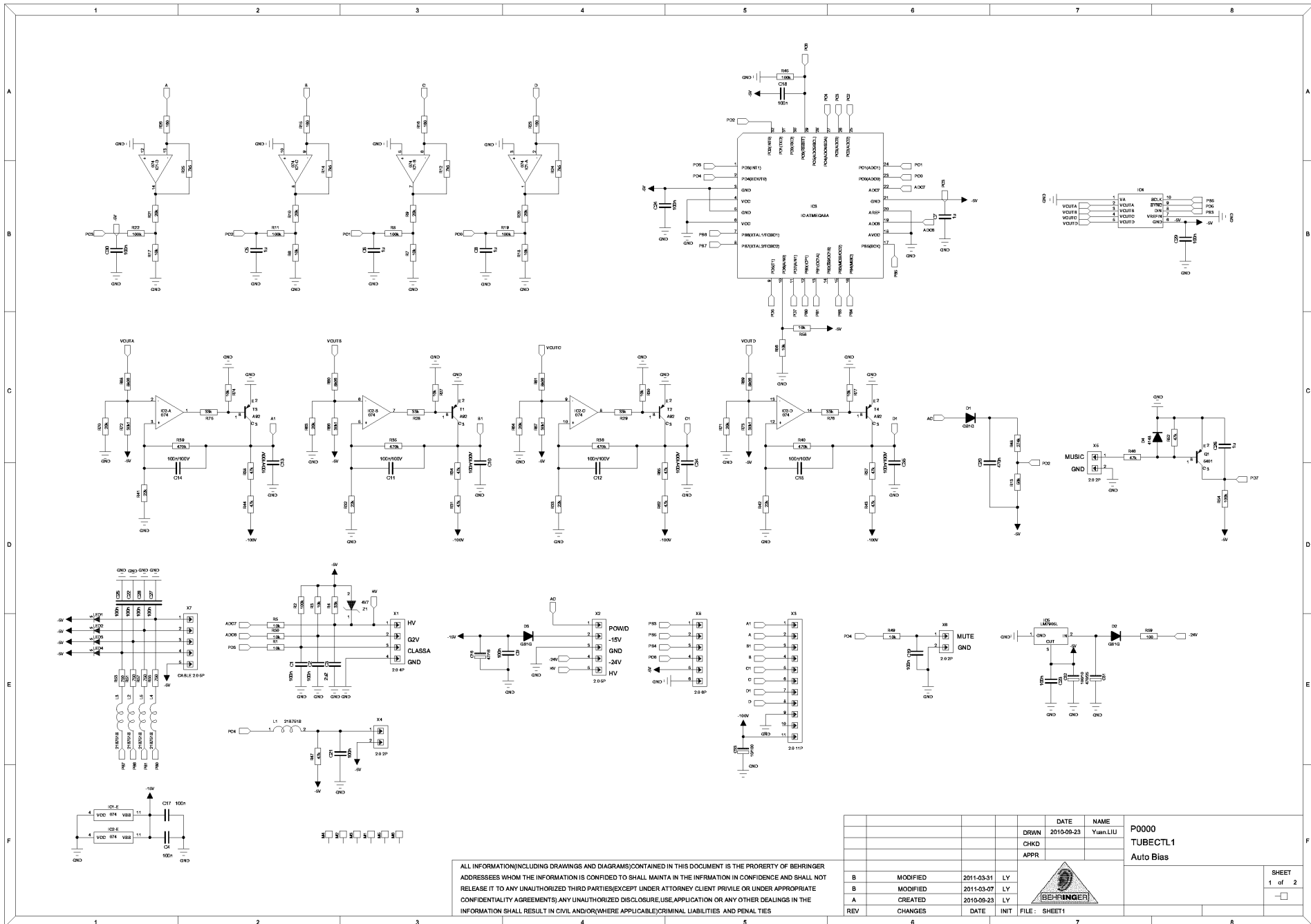







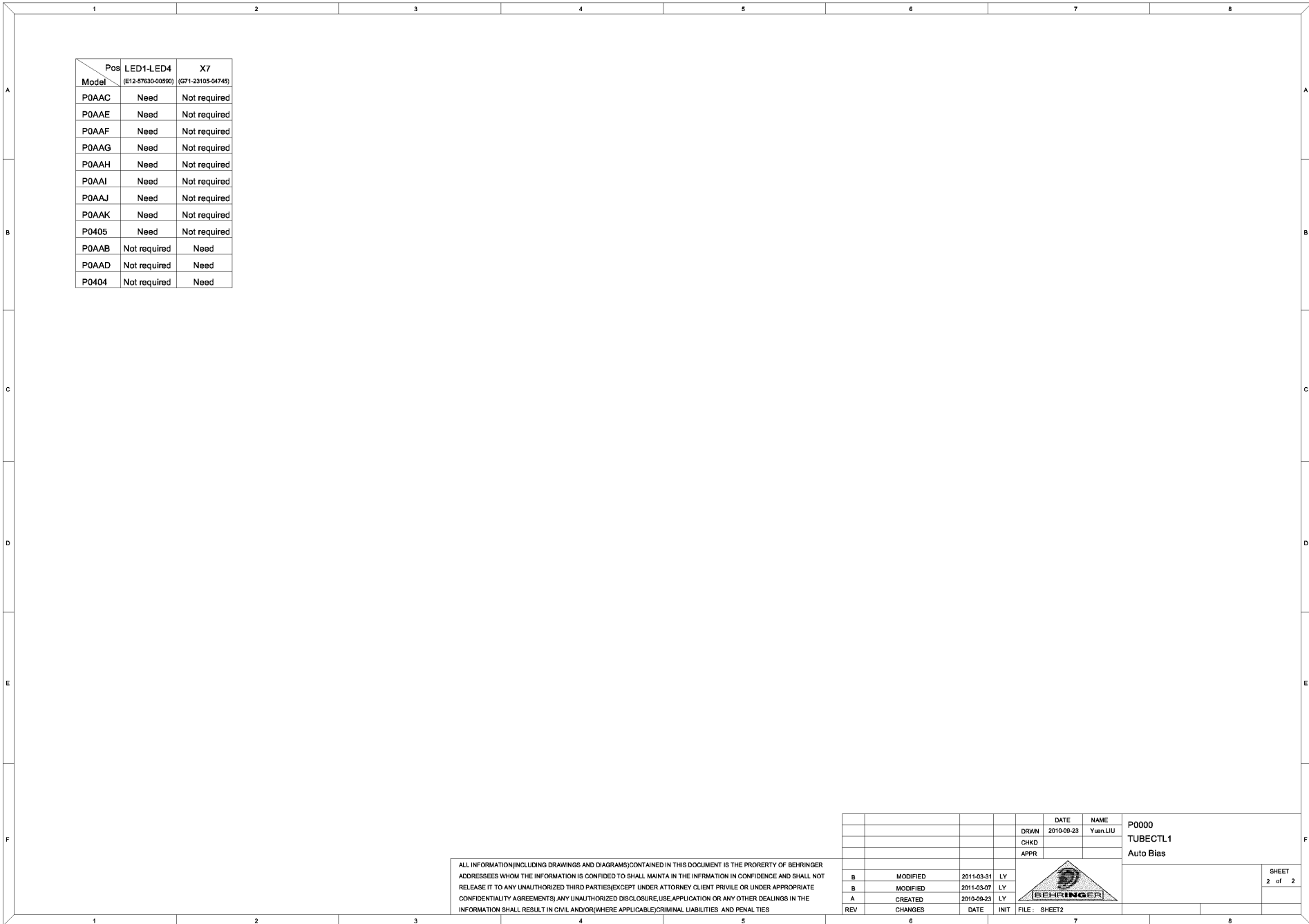






ALL INFORMATION(INCLUDING DRAWINGS AND DIAGRAMS)CONTAINED IN THIS DOCUMENT IS THE PROPERTY OF BEHRINGER ADDRESSES WHOM THE INFORMATION IS CONFIDED TO SHALL MAINTAIN THE INFORMATION IN CONFIDENCE AND SHALL NOT RELEASE IT TO ANY UNAUTHORIZED THIRD PARTIES(EXCEPT UNDER ATTORNEY CLIENT PRIVILEGE OR UNDER APPROPRIATE CONFIDENTIALITY AGREEMENTS)ANY UNAUTHORIZED DISCLOSURE,USE,APPLICATION OR ANY OTHER DEALINGS IN THE INFORMATION SHALL RESULT IN CIVIL AND/OR(WHERE APPLICABLE)CRIMINAL LIABILITIES AND PENAL TIES

		DATE	NAME	P0000 TUBECTL1 Auto Bias	SHEET 1 of 2
		DRWN	YuanLIU		
		CHKD			
		APPR			
B	MODIFIED	2011-03-31	LY		
B	MODIFIED	2011-03-07	LY		
A	CREATED	2010-09-23	LY		
REV	CHANGES	DATE	INIT	FILE: SHEET1	



Hi Pcb Assemblies

	Quantity	Unit	S.Sku	M.Sku	Description	Reference Designators	Notes
1	1.0000	PC		A05-00000-00126	PCB ASSEMBLY;B;HI;BDM5		
2	1.0000	PC		A05-00000-04345	PCB ASSEMBLY;FSB104;BUGERA;REV:E;HAND INSERT;NO.726020		
3	1.0000	PC	Q05-00000-75102	A05-00000-75102	PCB ASSEMBLY;POAAB;B;HI;TUBECTL1		
4	1.0000	PC		A05-AAB00-00101	PCB ASSEMBLY;POAAB;A;HI;LED		
5	1.0000	PC	Q05-AAB01-00101	A05-AAB01-00101	PCB ASSEMBLY;POAAB;1;A;HI;FRONT		
6	1.0000	PC	Q05-AAB02-00101	A05-AAB02-00101	PCB ASSEMBLY;POAAB;2;A;HI;MAIN/PRE		
7	1.0000	PC	Q05-AAB03-00101	A05-AAB03-00101	PCB ASSEMBLY;POAAB;3;A;HI;POWER		
8	1.0000	PC		A05-AAB04-00101	PCB ASSEMBLY;POAAB;4;A;HI;REAR		
9	1.0000	PC	Q05-00000-07385	A05-00000-07385	PCB ASSEMBLY;PSU6;BUGERA;JP-UL;REV:E;HAND INSERT;NO.903040		(UL, JP, BR, HM, SH)
10	1.0000	PC	Q05-00000-07384	A05-00000-07384	PCB ASSEMBLY;PSU6;BUGERA;EU-UK-CCC-SAA;REV:E;HAND INSERT;NO.903040		(EU, UK, SAA, AR)

Service Assemblies

	Quantity	Unit	S.Sku	M.Sku	Description	Reference Designators	Notes
1			Q09-00000-03551	A09-40800-00000	SPARE PART;P0408;BDM1	[EXTRA SPARE]	
2			Q05-00000-00126	A09-AAC00-00002	SPARE PART;POAAC;REV:B;HI;BDM5	[EXTRA SPARE]	
3			Q09-00000-00126	A09-AAF00-00000	SPARE PART;POAAF;BDM5	[EXTRA SPARE]	

Cable

	Quantity	Unit	S.Sku	M.Sku	Description	Reference Designators	Notes
1	0.0720	M		A74-00000-00720	WIRE,RAW FLAT CABLE;UL2651;AWG:28;POLES:20;GRAY;PIN1:RED;PITCH:1mm27		
2	1.0000	PC		A74-00200-60720	CABLE;FLAT;P:2mm54;LENGTH:60mm;AWG:28;FC1/FD+20/-0mm;POLES:20	[POAAB:01: {1.0}(X54)]	
3	1.0000	PC		A81-00000-23404	WIRE HARNESS;AWG:26;UL2468;2 MM;5,400 MM;PIN1 RED;2XA2006H-05P		
4	1.0000	PC		A81-00000-33780	WIRE HARNESS;AWG:26;UL2468;2 MM;7;190 MM;PIN1 RED;A2006H;P1018	[POAAB:02: {1.0}(X67)]	
5	0.0000	PC		A81-04000-26000	WIRE HARNESS;LENGTH:40mm;AWG:26;HOUSING - BOARD IN CONNECTOR;POLES:2;P:2mm;PIN 2 IS SHIELDED;PIN1 RED/OTHERS BLK;SHIELDED_01		
6	0.0000	PC		A81-04000-26002	WIRE HARNESS;LENGTH:40mm;AWG:26;HOUSING - BOARD IN CONNECTOR;P:2mm;POLES:2;PIN 1 IS SHIELDED;PIN2 RED/OTHERS BLK;SHIELDED		
7	1.0000	PC		A81-04000-26802	WIRE HARNESS;LENGTH:40mm;AWG:26;A2006H;ZEE;HOUSING - BOARD IN CONNECTOR;P:2mm;POLES:2;PIN 1 IS SHIELDED;PIN1 RED/OTHERS BLK;SHIELDED	[POAAB:02: {1.0}(X32)]	
8	1.0000	PC		A81-04030-26840	WIRE HARNESS;LENGTH:40mm;AWG:26;ZEE;HOUSING - BOARD IN CONNECTOR;POLES:2;P:2mm;PIN 2 IS SHIELDED;PIN1 RED/OTHERS BLK;SHIELDED_01	[POAAB:02: {1.0}(X34)]	
9	0.0000	PC		A81-08030-56002	WIRE HARNESS;LENGTH:80mm;HOUSING - BOARD IN CONNECTOR;AWG:26;POLES:5;P:2mm;PIN1 RED/OTHERS BLK	[POAAB:04: {0.0}(X3)]	
10	1.0000	PC		A81-08030-56802	WIRE HARNESS;LENGTH:80mm;ZEE;HOUSING - BOARD IN CONNECTOR;AWG:26;UL2468;POLES:5;P:2mm;PIN1 RED/OTHERS BLK	[POAAB:04: {1.0}(X3)]	
11	0.0000	PC		A81-11030-26002	WIRE HARNESS;LENGTH:110mm;AWG:26;POLES:2;HOUSING - BOARD IN CONNECTOR;P:2mm;PIN 2 IS SHIELDED;PIN1 RED/OTHERS BLK;SHIELDED_01		
12	1.0000	PC		A81-11030-26802	WIRE HARNESS;LENGTH:110mm;ZEE;AWG:26;POLES:2;HOUSING - BOARD IN CONNECTOR;P:2mm;PIN 2 IS SHIELDED;PIN1 RD/OTHERS BK;SHIELDED_01	[POAAB:02: {1.0}(X30)]	
13	0.0000	PC		A81-13000-56002	WIRE HARNESS;LENGTH:130mm;AWG:26;HOUSING - BOARD IN CONNECTOR;POLES:5;P:2mm;PIN 4 IS SHIELDED;PIN1 RED/OTHERS BLK;SHIELDED	[POAAB:04: {0.0}(X4)]	
14	1.0000	PC		A81-13000-56802	WIRE HARNESS;LENGTH:130mm;ZEE;AWG:26;HOUSING - BOARD IN CONNECTOR;POLES:5;P:2mm;PIN 4 IS SHIELDED;PIN1 RED/OTHERS BLK;SHIELDED	[POAAB:04: {1.0}(X4)]	
15	0.0000	PC		A81-13030-26007	WIRE HARNESS;LENGTH:130mm;AWG:26;P:2mm;HOUSING-BOARD IN CONNECTOR;PIN 1 IS SHIELDED;POLES:2;PIN2 RED/OTHERS BLK;SHIELDED_01		
16	0.0000	PC		A81-13030-26040	WIRE HARNESS;LENGTH:130mm;AWG:26;P:2mm;HOUSING-BOARD IN CONNECTOR;POLES:2;PIN1 RED/OTHERS BLK;PIN 2 IS SHIELDED		
17	1.0000	PC		A81-13030-26807	WIRE HARNESS;LENGTH:130mm;AWG:26;P:2mm;ZEE;HOUSING-BOARD IN CONNECTOR;PIN 1 IS SHIELDED;POLES:2;PIN2 RED/OTHERS BLK;SHIELDED_01	[POAAB:02: {1.0}(X28)]	
18	1.0000	PC		A81-13030-26840	WIRE HARNESS;LENGTH:130mm;ZEE;AWG:26;P:2mm;HOUSING-BOARD IN CONNECTOR;POLES:2;PIN1 RED/OTHERS BLK;PIN 2 IS SHIELDED	[POAAB:02: {1.0}(X37)]	
19	0.0000	PC		A81-14071-02042	WIRE HARNESS;LENGTH:140mm;AWG:18;P:3mm96;BOARD IN CONNECTOR - BOARD IN CONNECTOR;POLES:10;PIN1 RED/OTHERS BLK	[POAAB:02: {0.0}(X24)]	
20	1.0000	PC		A81-14071-02842	WIRE HARNESS;LENGTH:140mm;ZEE;AWG:18;P:3mm96;BOARD IN CONNECTOR - BOARD IN CONNECTOR;POLES:10;PIN1 RED/OTHERS BLK	[POAAB:02: {1.0}(X24)]	
21	1.0000	PC		A81-15000-26842	WIRE HARNESS;LENGTH:150mm;ZEE;AWG:26;UL2468;POLES:2;HOUSING - BOARD IN CONNECTOR;P:2mm;PIN1 RD/OTHERS BK	[POAAB:04: {1.0}(X68)]	
22	0.0000	PC		A81-15030-26040	WIRE HARNESS;LENGTH:150mm;AWG:26;P:2mm;HOUSING-BOARD IN CONNECTOR;POLES:2;PIN1 RED/OTHERS BLK;PIN 2 IS SHIELDED		

	Quantity	Unit	S.Sku	M.Sku	Description	Reference Designators	Notes
23	1.0000	PC		A81-15030-26840	WIRE HARNESS;LENGTH:150mm;ZEE;AWG:26;P:2mm;HOUSING-BOARD IN CONNECTOR;POLES:2;PIN1 RED/OTHERS BLK;PIN 2 IS SHIELDED	[POAAB:02: {1.0}(X35)]	
24	0.0000	PC		A81-18000-26047	WIRE HARNESS;LENGTH:180mm;AWG:26;P:2mm;HOUSING-BOARD IN CONNECTOR;POLES:2;PIN1 IS SHIELDED;PIN2 RED/OTHERS BLK;SHIELDED_02		
25	1.0000	PC		A81-18000-26847	WIRE HARNESS;LENGTH:180mm;ZEE;AWG:26;P:2mm;HOUSING-BOARD IN CONNECTOR;POLES:2;PIN1 IS SHIELDED;PIN2 RED/OTHERS BLK;SHIELDED_02	[POAAB:02: {1.0}(X22)]	
26	0.0000	PC		A81-18030-26040	WIRE HARNESS;LENGTH:180mm;AWG:26;P:2mm;HOUSING-BOARD IN CONNECTOR;POLES:2;PIN1 RED/OTHERS BLK;PIN 2 IS SHIELDED		
27	1.0000	PC		A81-18030-26840	WIRE HARNESS;LENGTH:180mm;ZEE;AWG:26;P:2mm;HOUSING-BOARD IN CONNECTOR;POLES:2;PIN1 RED/OTHERS BLK;PIN 2 IS SHIELDED	[POAAB:02: {1.0}(X25)]	
28	0.0000	PC		A81-19030-26002	WIRE HARNESS;LENGTH:190mm;AWG:26;P:2mm;HOUSING-BOARD IN CONNECTOR;PIN 2 IS SHIELDED;POLES:2;PIN1 RED/OTHERS BLK;SHIELDED		
29	1.0000	PC		A81-19030-26802	WIRE HARNESS;LENGTH:190mm;AWG:26;P:2mm;ZEE;HOUSING-BOARD IN CONNECTOR;PIN 2 IS SHIELDED;POLES:2;PIN1 RED/OTHERS BLK;SHIELDED	[POAAB:02: {1.0}(X23)]	
30	0.0000	PC		A81-19030-36045	WIRE HARNESS;LENGTH:190mm;AWG:26;P:2mm;HOUSING-BOARD IN CONNECTOR;POLES:3;A2006H;PIN1 RED/OTHERS BLK	[POAAB:00: {0.0}(X1)]	
31	1.0000	PC		A81-19030-36845	WIRE HARNESS;LENGTH:190mm;ZEE;AWG:26;UL2468;P:2mm;HOUSING-BOARD IN CONNECTOR;POLES:3;A2006H;PIN1 RD/OTHERS BK	[POAAB:00: {1.0}(X1)]	
32	1.0000	PC		A81-20030-20042	WIRE HARNESS;LENGTH:200mm;AWG:26;UL2468;A2006H;P:2mm;ZEE;HOUSING-BOARD IN CONNECTOR;POLES:2;PIN1 RED/OTHERS BLK	[POAAB:02: {1.0}(X62)]	
33	0.0000	PC		A81-20030-76002	WIRE HARNESS;LENGTH:200mm;AWG:26;P:2mm;HOUSING-BOARD IN CONNECTOR;POLES:7;PIN1 RED/OTHERS BLK		
34	1.0000	PC		A81-20030-76802	WIRE HARNESS;LENGTH:200mm;ZEE;AWG:26;UL2468;P:2mm;HOUSING-BOARD IN CONNECTOR;POLES:7;PIN1 RD/OTHERS BK	[POAAB:02: {1.0}(X36)]	
35	1.0000	PC		A81-27070-22022	WIRE HARNESS;LENGTH:270mm;POLES:2;AWG:18;UL1015;ONE SIDE 5mm STRIP/TINNED;PIN1 RED/OTHERS BLK		
36	1.0000	PC		A81-27070-22822	WIRE HARNESS;LENGTH:270mm;ZEE;POLES:2;AWG:18;UL1015;ONE SIDE 7mm STRIP/TINNED;PIN1 RD/OTHERS BK		
37	0.0000	PC		A81-29030-26007	WIRE HARNESS;LENGTH:290mm;AWG:26;POLES:2;PIN 1 IS SHIELDED;HOUSING - BOARD IN CONNECTOR;P:2mm;PIN2 RED/OTHERS BLK;SHIELDED	[POAAB:03: {0.0}(X15)]	
38	1.0000	PC		A81-29030-26807	WIRE HARNESS;LENGTH:290mm;AWG:26;POLES:2;ZEE;PIN 1 IS SHIELDED;HOUSING - BOARD IN CONNECTOR;P:2mm;PIN2 RED/OTHERS BLK;SHIELDED	[POAAB:03: {1.0}(X15)]	
39	0.0000	PC		A81-33030-36040	WIRE HARNESS;LENGTH:330mm;AWG:26;POLES:3;HOUSING - BOARD IN CONNECTOR;P:2mm;PIN 2 IS SHIELDED;PIN1 RED/OTHERS BLK;SHIELDED	[POAAB:01: {0.0}(X50)]	
40	1.0000	PC		A81-33030-36802	WIRE HARNESS;LENGTH:330mm;AWG:26;POLES:3;ZEE;HOUSING - BOARD IN CONNECTOR;P:2mm;PIN 2 IS SHIELDED;PIN1 RED/OTHERS BLK;SHIELDED	[POAAB:01: {1.0}(X50)]	
41	1.0000	PC		A85-00000-23405	WIRE HARNESS;AWG:26;UL1007;2 MM;11;280 MM;PIN1 RED;ONE SIDE:A2006H-11P;OTHER SIDE:SPECIAL		
42	1.0000	PC	Q88-45002-03732	A88-45002-03732	CABLE;SPEAKER;P0667;LENGTH:450mm;AWG:18;UL1015;6mm35 MONO JACK CONNECTOR ANGLED/2-5.2mm AMP LOCK TAPE;COLOR:BLACK/RED		
43	1.0000	PC	Q89-50051-04596	A89-50051-04596	FOOTSWITCH CABLE;FSB104;LENGTH:5M;POLES:5;COLOR:BLK;CONNECTOR:DIN 5P MALE		
44	1.0000	PC	Q76-15222-06417	A76-15222-06417	CABLE;AC-CORD;W/POLYBAG;LENGTH:152cm;AWG:18;VERSION;UL;SPEC.NO:06417		(UL)

	Quantity	Unit	S.Sku	M.Sku	Description	Reference Designators	Notes
45	1.0000	PC	Q76-15042-05624	A76-15042-05624	CABLE;AC-CORD;W/POLYBAG;LENGTH:150cm;H05VV-F3G0.75MM2;VERSION;UK;SPEC.NO:05624		(UK)
46	1.0000	PC	Q76-00000-05305	A76-00000-05305	CABLE;AC-CORD;3;BR;1500 MM;Plug + Connector:375+730;H05VV-F 3G0.75		(BR)
47	1.0000	PC	Q76-15032-55649	A76-15032-55649	CABLE;AC-CORD;CLASS II;W/POLYBAG;JAPAN;LENGTH:150cm;POLES:3;APPROVAL:PSE;JS15S 3 + VCTF 3x0.75mm2 + V1528		(JP, HM, SH)
48	1.0000	PC	Q76-15212-03119	A76-15212-03119	CABLE;AC-CORD;W/POLYBAG;LENGTH:152cm;H05VV-F 3G 0.75MM2;VERSION;EU;SPEC.NO:03119		(EU)
49	1.0000	PC	Q76-00000-13573	A76-00000-13573	CABLE;AC-CORD;3;AR;1500 MM;Plug + Connector:321+730;H05VV-F 3G0.75		(AR)
50	0.0000	PC		A76-18050-06505	CABLE;AC-CORD;LENGTH:180cm;VERSION:SAA;PLUG:HE105 ISOLATED;SAA H05VV-F 3x0.75mm2;CONN.HP-3;PANYU		(SAA)
51	1.0000	PC	Q76-18050-47490	A76-18050-47490	CABLE;AC-CORD;LENGTH:180cm;VERSION:SAA;PLUG:HE105 ISOLATED;SAA H05VV-F 3x0.75mm2;CONN.HP-3;SPEC.NO:47490		(SAA)

Capacitor

	Quantity	Unit	S.Sku	M.Sku	Description	Reference Designators	Notes
1	1.0000	PC			CAP E;100uF;10V;PITCH:2mm5;5mm x 11mm;VERTICAL 12.7-15-9mm	[P0AAD:00: {1.0}(C32)]	*NOT available in DP
2	1.0000	PC			CAP E;47uF;16V;PITCH:2mm5;5mm x 11mm;VERTICAL 12.7-15-9mm	[P0AAD:00: {1.0}(C16)]	*NOT available in DP
3	2.0000	PC			CAP E;4uF7;25V;PITCH:2mm5;5mm x 11mm;VERTICAL 12.7-15-9mm	[B:00: {2.0}(C2,C6)]	*NOT available in DP
4	3.0000	PC			CAP E;10uF;25V;PITCH:2mm5;5mm x 11mm;VERTICAL 12.7-15-9mm	[B:00: {1.0}(C5)]	*NOT available in DP
5	2.0000	PC			CAP E;470uF;25V;PITCH:5mm;10mm x 16mm;VERTICAL 12.7-15-9mm	[P0AAB:00: {1.0}(C3)]	*NOT available in DP
6	2.0000	PC			CAP E;47uF;16V;PITCH:2mm5;5mm x 11mm;PRECUT:3mm2 - 0/+0mm2	[B:00: {2.0}(C1,C4)]	*NOT available in DP
7	1.0000	PC			CAP CER;22pF;50V;10%;PITCH:5mm;DISC;VERTICAL 12.7-15-9mm	[P0AAB:01: {1.0}(C23)]	*NOT available in DP
8	9.0000	PC			CAP CER;100pF;50V;10%;PITCH:5mm;DISC;VERTICAL 12.7-15-9mm	[P0AAB:01: {5.0}(C8-C9,C22,C29-C30)]	*NOT available in DP
9	1.0000	PC			CAP CER;180pF;50V;10%;PITCH:5mm;DISC;VERTICAL 12.7-15-9mm	[P0AAB:01: {1.0}(C17)]	*NOT available in DP
10	1.0000	PC			CAP CER;270pF;50V;10%;PITCH:5mm;DISC;VERTICAL 12.7-15-9mm	[P0AAB:01: {1.0}(C18)]	*NOT available in DP
11	2.0000	PC			CAP CER;470pF;50V;10%;PITCH:5mm;DISC;VERTICAL 12.7-15-9mm	[P0AAB:01: {1.0}(C13)]	*NOT available in DP
12	3.0000	PC			CAP CER;10nF;50V;10%;PITCH:5mm;DISC;VERTICAL 12.7-15-9mm	[P0AAB:01: {1.0}(C78)]	*NOT available in DP
13	2.0000	PC			CAP CER;100nF;50V;20%;PITCH:5mm;DISC;VERTICAL 12.7-15-9mm	[P0AAB:01: {2.0}(C24,C28)]	*NOT available in DP
14	1.0000	PC			CAP CER;470nF;10V;X5R;10%;SMT603;(MURATA GRM188R61A474KA61D)	[P0AAC:00: {1.0}(C20)]	*NOT available in DP
15	4.0000	PC			CAP CER;1uF;10V;+80%/-20%;SMT603	[P0AAC:00: {4.0}(C5-C8)]	*NOT available in DP
16	1.0000	PC			CAP CER;2uF2;10V;X5R;10%;SMD603	[P0AAC:00: {1.0}(C3)]	*NOT available in DP
17	1.0000	PC			CAP CER;1uF;16V;X7R;10%;SMT805	[P0AAC:00: {1.0}(C26)]	*NOT available in DP
18	1.0000	PC			CAP CER;39pF;50V;10%;PITCH:5mm;DISC	[P0AAB:01: {1.0}(C12)]	*NOT available in DP
19	2.0000	PC			CAP CER;20pF;50V;20%;SMT603	[Z:00: {2.0}(C17,C20)]	*NOT available in DP
20	1.0000	PC			CAP CER;220pF;50V;10%;SMT603	[Z:00: {1.0}(C26)]	*NOT available in DP
21	1.0000	PC			CAP CER;2nF2;50V;10%;SMT603	[Z:00: {1.0}(C19)]	*NOT available in DP
22	1.0000	PC			CAP CER;6nF8;50V;10%;SMT603	[Z:00: {1.0}(C22)]	*NOT available in DP
23	6.0000	PC			CAP CER;10nF;50V;10%;SMT603	[Z:00: {6.0}(C10-C13,C33-C34)]	*NOT available in DP
24	1.0000	PC			CAP CER;15nF;50V;10%;SMT603	[Z:00: {1.0}(C29)]	*NOT available in DP
25	22.0000	PC			CAP CER;100nF;50V;10%;SMT603	[Z:00: {6.0}(C15-C16,C18,C31-C32,C35)]	*NOT available in DP
26	1.0000	PC			CAP CER;47nF;50V;X7R;10%;SMD805	[Z:00: {1.0}(C30)]	*NOT available in DP
27	8.0000	PC			CAP CER;100nF;50V;X7R;10%;SMT805	[Z:00: {8.0}(C9,C14,C21,C23-C25,C27-C28)]	*NOT available in DP
28	8.0000	PC			CAP CER;100nF;100V;X7R;10%;SMD1206	[P0AAC:00: {8.0}(C10-C15,C34-C35)]	*NOT available in DP
29	3.0000	PC			CAP FILM;1nF;63V;MPF;10%;PITCH:5mm;BOX;VERTICAL 12.7-15-9mm	[P0AAB:01: {2.0}(C10,C31)]	*NOT available in DP
30	3.0000	PC			CAP FILM;2nF2;63V;MPF;10%;PITCH:5mm;BOX;VERTICAL 12.7-15-9mm	[P0AAB:01: {3.0}(C11,C16,C32)]	*NOT available in DP
31	1.0000	PC			CAP FILM;15nF;63V;MPF;5%;PITCH:5mm;BOX;VERTICAL 12.7-15-9mm	[P0AAB:01: {1.0}(C21)]	*NOT available in DP
32	1.0000	PC			CAP FILM;22nF;63V;MPF;10%;PITCH:5mm;BOX;VERTICAL 12.7-15-9mm	[P0AAB:01: {1.0}(C15)]	*NOT available in DP
33	1.0000	PC			CAP FILM;47nF;63V;MPF;5%;PITCH:5mm;BOX;VERTICAL 12.7-15-9mm	[P0AAB:01: {1.0}(C20)]	*NOT available in DP
34	2.0000	PC			CAP FILM;100nF;63V;MPF;10%;PITCH:5mm;BOX;VERTICAL 12.7-15-9mm	[P0AAB:01: {2.0}(C19,C25)]	*NOT available in DP
35	1.0000	PC			CAP FILM;4nF7;63V;MPF;10%;PITCH:5mm;BOX;VERTICAL 12.7-15-9mm	[P0AAB:01: {1.0}(C26)]	*NOT available in DP
36	5.0000	PC			CAP FILM;100nF;100V;MPF;10%;PITCH:5mm;BOX;VERTICAL 12.7-15-9mm	[P0AAB:02: {1.0}(C62)]	*NOT available in DP
37	2.0000	PC			CAP E;22uF;450V;20%;PITCH:5mm;13mm x 25mm;105C;VERTICAL 12.7-15-9mm	[P0AAB:02: {2.0}(C43,C47)]	*NOT available in DP

	Quantity	Unit	S.Sku	M.Sku	Description	Reference Designators	Notes
38	2.0000	PC			CAP E;100uF;350V;20%;PITCH:7mm5;18mm x 32mm;PRECUT:3mm2 -0/+0mm2;105C	[P0AAB:02: {2.0}(C49-C50)]	*NOT available in DP
39	2.0000	PC			CAP E;330uF;350V;20%;PITCH:10mm;22mm x 50mm;105C;SNAP-IN	[P0AAB:02: {2.0}(C40-C41)]	*NOT available in DP
40	1.0000	PC			CAP E;100uF;500V;20%;PITCH:7mm5;18mm x 40mm;105??C;SNAP-IN	[P0AAB:02: {1.0}(C38)]	*NOT available in DP
41	1.0000	PC	R12-32100-04351	B12-32100-04351	CAP X2;100nF;275V;PITCH:15mm;CASE:8mm5 x 18mm;CASE:8mm5 x 18mm;PRECUT:3.1mm+/-0mm5	[PSU6:00: {1.0}(C1)]	
42	1.0000	PC			CAP FILM;1nF;400V;MPF;10%;PITCH:5mm;BOX; VERTICAL 12.7-15-9mm	[P0AAB:02: {1.0}(C44)]	*NOT available in DP
43	4.0000	PC			CAP FILM;22nF;400V;MPF;10%;PITCH:5mm;VERTICAL 12.7-15-9mm	[P0AAB:02: {4.0}(C42,C46,C52,C71)]	*NOT available in DP
44	8.0000	PC			CAP FILM;47nF;400V;MPF;10%;PITCH:5mm;BOX;VERTICAL 12.7-15-9mm	[P0AAB:02: {4.0}(C36-C37,C61,C66)]	*NOT available in DP
45	1.0000	PC			CAP FILM;100nF;250V;MPF;10%;PITCH:5mm;VERTICAL 12.7-15-9mm	[P0AAB:02: {1.0}(C48)]	*NOT available in DP
46	4.0000	PC			CAP E;10uF;25V;PITCH:2mm5;5mm x 11mm;105C;VERTICAL 12.7-15-9mm	[P0AAB:01: {2.0}(C14,C33)]	*NOT available in DP
47	1.0000	PC			CAP E;100uF;25V;PITCH:2mm5;6mm3 x 7mm;105C;VERTICAL 12.7-15-9mm	[P0AAB:03: {1.0}(C6)]	*NOT available in DP
48	3.0000	PC			CAP E;1mF;35V;PITCH:5mm;13mm x 21mm;105C;VERTICAL 12.7-15-9mm	[P0AAB:02: {3.0}(C57-C59)]	*NOT available in DP
49	2.0000	PC			CAP E;2uF2;50V;PITCH:2mm5;5mm x 11mm;VERTICAL 12.7-15-9mm	[P0AAB:01: {1.0}(C27)]	*NOT available in DP
50	4.0000	PC			CAP E;22uF;50V;PITCH:2mm5;6.3mm x 11mm;VERTICAL 12.7-15-9mm	[P0AAB:02: {4.0}(C51,C55,C63-C64)]	*NOT available in DP
51	1.0000	PC			CAP E;47uF;50V;PITCH:2mm5;6.3mmx11mm;VERTICAL 12.7-15-9mm	[P0AAB:02: {1.0}(C65)]	*NOT available in DP
52	4.0000	PC			CAP E;100uF;63V;PITCH:5mm; ;10mm x 12.5mm;VERTICAL 12.7-15-9mm	[P0AAB:02: {4.0}(C67-C70)]	*NOT available in DP
53	1.0000	PC			CAP E;10uF;100V;PITCH:2mm5;6mm3 x 11mm;105C;VERTICAL 12.7-15-9mm	[P0AAD:00: {1.0}(C33)]	*NOT available in DP
54	2.0000	PC			CAP E;4mF7;35V;PITCH:7mm5;18mm x 35mm;PRECUT:3mm2 -0/+0mm2	[P0AAB:02: {2.0}(C53-C54)]	*NOT available in DP
55	1.0000	PC			CAP E;100uF;35V;PITCH:3mm5;8mm x 12mm;PRECUT:3mm2 -0/+0mm2;105C	[P0AAB:02: {1.0}(C72)]	*NOT available in DP

Circuit Protector

	Quantity	Unit	S.Sku	M.Sku	Description	Reference Designators	Notes
1	8.0000	PC	R21-15201-52000	B21-15201-52000	FUSE CLIP;2 A;V;ZINC PLATING;250V;SERIES;520;FUSE;250 V;PLATING	[P0AAB:02: {8.0}(F1-F4)]	
2	3.0000	PC	R22-01513-20001	B22-01513-20001	FUSE;2A0;250V;SLOW BLOW;H-TYPE;5mm x 20mm		F1,F2,F3
3	1.0000	PC	R22-01514-10001	B22-01514-10001	FUSE;10A;250V;SLOW BLOW;H-TYPE;5mm x 20mm	[P0AAB:02: {1.0}(F4)]	
4	1.0000	PC	R22-01513-16001	B22-01513-16001	FUSE;1A6;250V;SLOW BLOW;H-TYPE;5mm x 20mm		(EU, UK, SAA, AR)
5	3.0000	PC	R22-01513-20001	B22-01513-20001	FUSE;2A0;250V;SLOW BLOW;H-TYPE;5mm x 20mm		(EU, UL, JP, UK, SAA, BR, AR, HM)
6	1.0000	PC	R22-01513-31501	B22-01513-31501	FUSE;3A15;250V;SLOW BLOW;H-TYPE;5mm x 20mm		(UL, JP, BR, HM, SH)

Coil

	Quantity	Unit	S.Sku	M.Sku	Description	Reference Designators	Notes
1	1.0000	PC		B39-00000-01046	COIL;SMD;1000 OHMS;0.8 MM;SMD;DCR <0.9ohm;Fs 100MHz, IR 100mA,4*0603	[Z:00: {1.0}(L4)]	CUTOFF: IDENTIFIED FROM L-SMD/1000H/0.8MM/S*
2	8.0000	PC	R39-00000-03394	B39-00000-03394	COIL;SMD;BEAD;SMD0805;(BLM21BD751SN1D)	[Z:00: {3.0}(L1-L3)]	
3	1.0000	PC		B39-00000-01046	COIL;SMD;1000 OHMS;0.8 MM;SMD;DCR <0.9ohm;Fs 100MHz, IR 100mA,4*0603	[Z:00: {1.0}(L4)]	(EU, UL, JP, UK, SAA, BR, AR, HM)

Connector

	Quantity	Unit	S.Sku	M.Sku	Description	Reference Designators	Notes
1	2.0000	PC	R84-00000-01620	B84-00000-01620	AMP TERMINAL;BRASS W TIN;7205A-BS-2		
2	14.0000	PC	R84-19056-06015	B84-19056-06015	CONNECTOR;TERMINAL;BRASS W TIN;AWG16-22;JS-4008-T		
3	2.0000	PC	R84-22000-06018	B84-22000-06018	CRIMP TERMINAL;PITCH:3mm96;AWG18-22;A3963TOP-2		
4	84.0000	PC	R84-25016-06014	B84-25016-06014	CRIMP TERMINAL;PITCH:2mm0;AWG24-30;A2008TOP-2		
5	2.0000	PC	R84-30000-06293	B84-30000-06293	JACKET;FOR 205 TERMINAL;DIA:4mm		
6	2.0000	PC	R84-30046-39242	B84-30046-39242	CONNECTOR;AMP CONN TERMINAL;MATERIAL:PAPER FIBRE;QUADRUPLE;(BWF38703003-TERMINAL-REVA.DWG)		
7	3.0000	PC	R84-30060-06009	B84-30060-06009	JACKET;FOR 6mm35 AMP CONNECTOR;PVC;STRAIGHT;DIAMETER:4mm		
8	3.0000	PC		B84-32050-05839	CRIMP CONNECTOR;AMP;RECEPTABLE;6mm3 x 7mm5;AWG 14-18;WIRE MOUNT;STRAIGHT;250 SERIES		
9	5.0000	PC	R84-39000-03120	B84-39000-03120	CONNECTOR;AMP;PCB;PCB MOUNT;PITCH:5mm;WIDTH:6mm3	[P0AAB:02: {3.0}(X33,X60-X61)]	
10	1.0000	PC	R84-42050-00155	B84-42050-00155	CRIMP CONNECTOR;LUG;INNER DIA:4mm3;AWG 14-18;WIRE MOUNT;STRAIGHT		

Diode

	Quantity	Unit	S.Sku	M.Sku	Description	Reference Designators	Notes
1	7.0000	PC			DIODE;1N4148;DO35	[P0AAB:01: {5.0}(D5-D9)]	*NOT available in DP
2	12.0000	PC			DIODE;1N4007;DO41	[P0AAB:02: {12.0}(D1,D10-D17,D20-D22)]	*NOT available in DP
3	11.0000	PC			DIODE;LL4148;LL34;TEMIC OR FC	[Z:00: {10.0}(D1-D10)]	*NOT available in DP
4	3.0000	PC			DIODE;GP;GS1G;400V;1A;DO-214AC;SMD	[P0AAC:00: {3.0}(D1-D3)]	*NOT available in DP
5	1.0000	PC			DIODE;ZMM04V7;SMD1206;SMD	[P0AAC:00: {1.0}(Z1)]	*NOT available in DP
6	4.0000	PC			DIODE;1N5408;DO201AD;TAPING	[P0AAB:03: {4.0}(D23-D26)]	*NOT available in DP

Hardware

	Quantity	Unit	S.Sku	M.Sku	Description	Reference Designators	Notes
1	70.0000	PC			NAIL;CROWN:2mm2;WIDTH:1mm27;THICKNESS:1mm0;LENGTH:25mm;18-GAUGE (0.49*0.40) FINISH;GALVANIZED		*NOT available in DP
2	40.0000	PC			NAIL;CROWN:2mm2;WIDTH:1mm27;THICKNESS:1mm0;LENGTH:30mm;18-GAUGE (0.49*0.40) FINISH;GALVANIZED		*NOT available in DP
3	50.0000	PC			NAIL;STAPLE;CROWN 10mm;LEGLNGTH:10mm;WIDTH:1.2mm;THICKNESS:0mm6;FINISH:GALVANIZED		*NOT available in DP
4	100.0000	PC			NAIL;STAPLE;CROWN 10mm;LEGLNGTH:6mm;WIDTH:1.2mm;THICKNESS:0mm6;FINISH:GALVANIZED		*NOT available in DP
5	13.0000	PC			CABLE TIE;NYLON;4in;COLOR:		*NOT available in DP
6	2.0000	PC			WIRECLAMP;LUG:4mm4;LENGTH:56mm;OUTER DIA;8mm;PLASTIC COVERED STEEL;COLOR:BLK		*NOT available in DP
7	0.1300	G			THERM-GREASE;COLOR:WHT;SPEC.NO:09286		*NOT available in DP
8	0.1000	G			SCREWLOCK;SPEC.NO:01090		*NOT available in DP
9	2.0000	PC			NUT;M;3 MM;3.2 MM;HEX WASHER;7.3 MM;ZINC;BLUE;HEXAGON REC.;0.5 MM;M3*0.5mm NUT WITH TEETH EXTERNAL WASHER		*NOT available in DP
10	2.0000	PC			HEX.NUT;12 MM;2 MM;NICKEL;SILVER;0.75 MM		*NOT available in DP
11	2.0000	PC			HEX.NUT;INNER DIA;M3mm;SURFACE:ZINC		*NOT available in DP
12	17.0000	PC			T-NUT;INNER DIA;M4mm;W/PRONG;SURFACE:ZINC/BLACK		*NOT available in DP
13	9.0000	PC			HEX. NUT;INNER DIA;M4mm;SURFACE:ZINC		*NOT available in DP
14	16.0000	PC			T-NUT;INNER DIA;M5mm;THICK:8mmW/PRONG;SURFACE:ZINC;COLOR:BLACK		*NOT available in DP
15	19.0000	PC			HEX. NUT;THREAD:9mm;THICKNESS:2mm;PITCH:0mm75;SURFACE:NICKEL;(PHONE JACK)		*NOT available in DP
16	6.0000	PC			OCT. NUT;FOR JACK;3/8in;OCTWRENCH:14.5mm;THICKNESS:3.5mm;SURFACE:NICKEL/SILVER		*NOT available in DP
17	2.0000	PC			HEX. NUT;INNER DIA:13mm;SURFACE:ZINC		*NOT available in DP
18	4.0000	PC	V87-00200-10103	F87-00200-10103	RUBBER BUSHING;I00172P;DST.NO:002;DPT.NO:10103;(I00172P-RUBBER_BUSHING-REVB.dwf)		WIRE/CABLE PROTECTION
19	4.0000	PC		F87-01000-12070	PAD;RUBBER;6mm*2mm5;COLOR:BLK;DWG.NO:12070;(R14-GUITAR-RUBBERPAD-REVB.DWG)		
20	16.0000	PC			SCREW;A;4 MM;13 MM;TRUSS;CHROME;PHILIPS REC.;2.84 MM;SC;A4*13mm		*NOT available in DP
21	12.0000	PC			SCREW;M3mm*3mm;HEAD:PAN WASHER DIA 4mm5;INSERT:PHILIPS REC.;SURFACE:BLACK/ZINC		*NOT available in DP
22	15.0000	PC			SCREW;M3mm*6mm;HEAD:PAN;INSERT:PHILIPS REC.;SURFACE:SILVER/ZINC		*NOT available in DP
23	10.0000	PC			SCREW;M3mm*6mm;HEAD:PAN;INSERT:PHILLIPS REC.;SURFACE:BLACK/ZINC		*NOT available in DP
24	6.0000	PC			SCREW;M3mm*6mm;PITCH:0mm5;HEAD:FLAT;INSERT:PHILIPS REC.;SURFACE:BLACK/ZINC		*NOT available in DP
25	3.0000	PC			SCREW;M3mm*7mm;HEAD:BINDING;INSERT:PHILIPS REC.;SURFACE:SILVER/ZINC		*NOT available in DP
26	12.0000	PC			SCREW;BT3mm*8mm;HEAD:PAN;INSERT:PHILLIPS REC.;SURFACE:BLACK/ZINC		*NOT available in DP
27	2.0000	PC			SCREW;M3mm*8mm;HEAD:PAN;INSERT:PHILIPS REC.;SURFACE:ZINC		*NOT available in DP
28	1.0000	PC			SCREW;M3mm*10mm;HEAD:PAN;INSERT:PHILIPS REC.;SURFACE:SILVER ZINC		*NOT available in DP
29	5.0000	PC			SCREW;M3mm*10mm;HEAD:PAN;INSERT:PHILIPS REC.;SURFACE:BLACK/ZINC		*NOT available in DP

	Quantity	Unit	S.Sku	M.Sku	Description	Reference Designators	Notes
30	1.0000	PC			SCREW;M4mm*10mm;HEAD:BINDING;INSERT:PHILIPS REC.;SURFACE:SILVER/ZINC		*NOT available in DP
31	8.0000	PC			SCREW;M4mm*12mm;HEAD:BINDING;INSERT:PHILIPS REC.;SURFACE:SILVER/ZINC		*NOT available in DP
32	6.0000	PC			SCREW;M4mm*25mm;HEAD:PAN;INSERT:PHILIPS REC.;SURFACE:BLACK/ZINC		*NOT available in DP
33	5.0000	PC			SCREW;A4mm*30mm;HEAD:TRUSS;INSERT:PHILIPS REC.;SURFACE:BLACK/ZINC		*NOT available in DP
34	2.0000	PC			SCREW;M4mm*30mm;HEAD:OVAL;INSERT:PHILIPS REC.;SURFACE:BLACK/ZINC		*NOT available in DP
35	4.0000	PC			SCREW;M4mm*33mm;HEAD:OVAL;INSERT:PHILIPS REC.;SURFACE:BLACK/ZINC		*NOT available in DP
36	11.0000	PC			SCREW;M4mm*38mm;HEAD:TRUSS;INSERT:PHILIPS REC.;SURFACE:ZINC/BLACK		*NOT available in DP
37	4.0000	PC			SCREW;M5mm*20mm;HEAD:PAN;INSERT:PHILIPS REC.;SURFACE:BLACK/ZINC		*NOT available in DP
38	4.0000	PC			SCREW;M5mm*22mm;HEAD:OVAL;INSERT:PHILIPS REC.;SURFACE:SILVER/CHROME		*NOT available in DP
39	8.0000	PC			SCREW;M5mm*25mm;HEAD:PAN;INSERT:PHILIPS REC.;SURFACE:BLACK/ZINC		*NOT available in DP
40	1.0000	PC			METAL;SHIELD;I00306P;DST.NO:001;DPT.NO:08985;(I00306P-SHIELD-REVA.DWG)		*NOT available in DP
41	1.0000	PC			SILICA GEL;MASS;30g;SPEC.NO:30QB-BB2001-4		*NOT available in DP
42	4.0000	PC			CLIP-ON NUT;SQUARE STYLE;FOR M4 NUTS;PANEL THICKNESS:0mm4 TO 0mm6;SURFACE:ZINC/SILVER;(LAN-XIN LXJ12A)		*NOT available in DP
43	4.0000	PC			SPRING;CYLINDRICAL;F5112;6mm*14mm8;CARBON STEEL;DWG. NO:04288;(R14-FCB1010-SPRING-REVA.DWG)		*NOT available in DP
44	2.0000	PC			STUD;THREAD-DIA;3mm;LENGTH:12mm4;EXT/INT;EXT;5mm		*NOT available in DP
45	0.6000	M			SHRINKING TUBE;INNER DIA;1mm;SPEC.NO:43217		*NOT available in DP
46	268.0000	MM			SHRINKING TUBE;INNER DIA;2MM;SPEC NO:15747		*NOT available in DP
47	0.0240	M			SHRINKING TUBE;INNER DIA;3mm;SPEC.NO:01097		*NOT available in DP
48	0.0500	M			SHRINKING TUBE;INNER DIA;4mm;SPEC.NO:01098		*NOT available in DP
49	0.0900	M			SHRINKING TUBE;INNER DIA:20mm;THICKNESS:0mm5		*NOT available in DP
50	6.0000	PC			WASHER;9.7 MM;16 MM;NICKEL;WHITE;WASHER;FLAT;DIM:9.7*16*0.5mm;NIC		*NOT available in DP
51	2.0000	PC			WASHER;PLAIN;INNER DIA:3mm;OUTER DIA:6mm;THICKNESS:0mm5		*NOT available in DP
52	14.0000	PC			WASHER;PLAIN;INNER DIA:4mm;OUTER DIA:8mm;THICKNESS:1mm;PLATING;NICKEL		*NOT available in DP
53	8.0000	PC			WASHER;PLAIN;INNER DIA:5mm1;OUTER DIA:11mm;THICKNESS;1mm;PLATING;NICKEL		*NOT available in DP
54	19.0000	PC			WASHER;PLAIN;INNER DIA:9mm6;OUTER DIA:13mm;THICKNESS;0mm5;PLATING;NICKEL		*NOT available in DP
55	4.0000	PC			WASHER;PLAIN;INNER DIA:12mm3;OUTER DIA:16mm6;THICKNESS:0mm5;SURFACE:NICKEL/SILVER		*NOT available in DP
56	8.0000	PC			WASHER;SPRING;INNER DIA:4mm;OUTER DIA:7mm;THICKNESS;1mm7		*NOT available in DP
57	2.0000	PC			WASHER;SPRING;INNER DIA:14mm5;OUTER DIA:17mm;THICKNESS:1mm5;PLATING;NICKEL		*NOT available in DP
58	2.0000	PC			WASHER;EXTERNAL TEETH;INNER DIA:3mm;OUTER DIA:6mm;THICKNESS:0mm5;PLATING;CR(III)		*NOT available in DP
59	10.0000	PC			WASHER;EXTERNAL TEETH;INNER DIA:4mm;OUTER DIA:7mm;THICKNESS;1mm7		*NOT available in DP
60	6.0000	PC			WASHER;DONUT;INNER DIA:5mm5;OUTER DIA:16mm;THICKNESS;2mm6;PLATING;BLACK/ZINC		*NOT available in DP
61	2.0000	PC		F97-00000-02957	CARTON SHEET;PAPERBOARD A;P0404		

	Quantity	Unit	S.Sku	M.Sku	Description	Reference Designators	Notes
62	0.2480	G		F97-00100-02478	PAPER,KRAFT;WIDTH:300mm;THICKNESS:0mm05		
63	1.0000	PC		F97-17000-15555	SHEET;FOAM;FS114;FOOTSWITCH;W/ DURABLE ADHESIVE;DWG.NO:15555;(R14-FS114-FOAM-REVA.DWG)		
64	1.0000	PC			BUSHING;CABLE;FS112;NYLON;DWG.NO:04141;(R14-CABLEBUSHING-REVA.DWG)		*NOT available in DP
65	11.0000	PC			SCREW;M4mm*38mm;HEAD:TRUSS;INSERT:PHILIPS REC.;SURFACE:ZINC/BLACK		*NOT available in DP
66	8.0000	PC			WASHER;PLAIN;INNER DIA:5mm1;OUTER DIA:11mm;THICKNESS;1mm;PLATING;NICKEL		*NOT available in DP
67	19.0000	PC			WASHER;PLAIN;INNER DIA:9mm6;OUTER DIA:13mm;THICKNESS;0mm5;PLATING;NICKEL		*NOT available in DP
68	19.0000	PC			HEX. NUT;THREAD:9mm;THICKNESS:2mm;PITCH:0mm75;SURFACE:NICKEL;(PHONE JACK)		*NOT available in DP
69	1.0000	PC			SCREW;M4mm*10mm;HEAD:BINDING;INSERT:PHILIPS REC.;SURFACE:SILVER/ZINC		*NOT available in DP
70	6.0000	PC			SCREW;M3mm*6mm;PITCH:0mm5;HEAD:FLAT;INSERT:PHILIPS REC.;SURFACE:BLACK/ZINC		*NOT available in DP
71	5.0000	PC			SCREW;A4mm*30mm;HEAD:TRUSS;INSERT:PHILIPS REC.;SURFACE:BLACK/ZINC		*NOT available in DP
72	1.0000	PC			METAL;SHIELD;I00306P;DST.NO:001;DPT.NO:08985;(I00306P-SHIELD-REVA.DWG)		*NOT available in DP
73	6.0000	PC			WASHER;DONUT;INNER DIA:5mm5;OUTER DIA:16mm;THICKNESS;2mm6;PLATING;BLACK/ZINC		*NOT available in DP
74	2.0000	PC			WASHER;SPRING;INNER DIA:14mm5;OUTER DIA:17mm;THICKNESS:1mm5;PLATING;NICKEL		*NOT available in DP
75	4.0000	PC	V87-00200-10103	F87-00200-10103	RUBBER BUSHING;I00172P;DST.NO:002;DPT.NO:10103;(I00172P-RUBBER_BUSHING-REVB.dwf)		(EU, UL, JP, UK, SAA, BR, AR, HM)
76	10.0000	PC			WASHER;EXTERNAL TEETH;INNER DIA:4mm;OUTER DIA:7mm;THICKNESS;1mm7		*NOT available in DP
77	2.0000	PC			HEX. NUT;INNER DIA:13mm;SURFACE:ZINC		*NOT available in DP
78	4.0000	PC			SCREW;M4mm*33mm;HEAD:OVAL;INSERT:PHILIPS REC.;SURFACE:BLACK/ZINC		*NOT available in DP
79	15.0000	PC			SCREW;M3mm*6mm;HEAD:PAN;INSERT:PHILIPS REC.;SURFACE:SILVER/ZINC		*NOT available in DP
80	9.0000	PC			HEX. NUT;INNER DIA;M4mm;SURFACE:ZINC		*NOT available in DP
81	14.0000	PC			WASHER;PLAIN;INNER DIA:4mm;OUTER DIA:8mm;THICKNESS:1mm;PLATING;NICKEL		*NOT available in DP
82	6.0000	PC			SCREW;M4mm*25mm;HEAD:PAN;INSERT:PHILIPS REC.;SURFACE:BLACK/ZINC		*NOT available in DP
83	8.0000	PC			SCREW;M4mm*12mm;HEAD:BINDING;INSERT:PHILIPS REC.;SURFACE:SILVER/ZINC		*NOT available in DP
84	4.0000	PC			SCREW;M5mm*20mm;HEAD:PAN;INSERT:PHILIPS REC.;SURFACE:BLACK/ZINC		*NOT available in DP
85	2.0000	PC			SCREW;M4mm*30mm;HEAD:OVAL;INSERT:PHILIPS REC.;SURFACE:BLACK/ZINC		*NOT available in DP
86	4.0000	PC			CLIP-ON NUT;SQUARE STYLE;FOR M4 NUTS;PANEL THICKNESS:0mm4 TO 0mm6;SURFACE:ZINC/SILVER;(LAN-XIN LXJ1.2A)		*NOT available in DP
87	8.0000	PC			SCREW;M5mm*25mm;HEAD:PAN;INSERT:PHILIPS REC.;SURFACE:BLACK/ZINC		*NOT available in DP
88	10.0000	PC			SCREW;M3mm*6mm;HEAD:PAN;INSERT:PHILLIPS REC.;SURFACE:BLACK/ZINC		*NOT available in DP
89	4.0000	PC			WASHER;PLAIN;INNER DIA:12mm3;OUTER DIA:16mm6;THICKNESS:0mm5;SURFACE:NICKEL/SILVER		*NOT available in DP

Ic

	Quantity	Unit	S.Sku	M.Sku	Description	Reference Designators	Notes
1	1.0000	PC		C60-00000-33663	IC;AD/DA;MSOP;DAC0845085	[P0AAC:00: {1.0}(IC4)]	
2	1.0000	PC	560-54422-00528	C60-22422-00528	IC;AD/DA;V4220M;SSOP	[Z:00: {1.0}(IC3)]	
3	2.0000	PC	573-58007-40514	C73-31007-40514	IC;OPAMP OPAMP;TL074;SOP;	[P0AAC:00: {2.0}(IC1-IC2)]	
4	1.0000	PC	573-58007-20108	C73-58007-20108	IC;OPAMP OPAMP;TL072;DIP	[P0AAB:01: {1.0}(IC1)]	
5	1.0000	PC	573-58007-22208	C73-58007-22208	IC;OPAMP OPAMP;TL072;SOP;BRAND:ST ONLY	[Z:00: {1.0}(IC5)]	
6	1.0000	PC	577-00000-28276	C77-00000-28276	IC;VOLT.REGULATOR;TO220;LM7905L	[P0AAB:00: {1.0}(IC5)]	
7	1.0000	PC	577-05107-03010	C77-05107-03010	IC;VOLT.REGULATOR;7805;TO220	[B:00: {1.0}(IC1)]	
8	1.0000	PC	577-15107-03110	C77-15107-03110	IC;VOLT.REGULATOR;7815F;FULLPACK;TO220	[P0AAB:02: {1.0}(IC2)]	
9	1.0000	PC	577-15207-03110	C77-15207-03110	IC;VOLT.REGULATOR;7915F;FULLPACK;TO220	[P0AAB:02: {1.0}(IC3)]	
10	1.0000	PC	T12-00100-02216	D12-00100-02217	IC;DIG COMM.;EUROTEC;V1000;SOIC	[Z:00: {1.0}(IC2)]	
11	2.0000	PC	T24-18081-61832	D24-18081-61832	IC;MICROCONTROLLER;ATMEGA8A-AU;SMD;TQFP32	[Z:00: {1.0}(IC4)]	

Led

	Quantity	Unit	S.Sku	M.Sku	Description	Reference Designators	Notes
1	2.0000	PC		E10-00000-05233	LED HIB;5mm0 ROUND;AMBER;BULK;NORMAL BRIGHT	[P0AAB:00: {2.0}(LD1-LD2)]	
2	2.0000	PC	U10-53565-00588	E10-53565-00588	LED HIB;3mm ROUND;GREEN	[FSB104:00: {2.0}(LD1,LD4)]	
3	4.0000	PC	U10-53565-00589	E10-53565-00589	LED HIB;3mm ROUND;GREEN;3MM ROUND NO BOTTOM RING	[P0AAB:01: {4.0}(LD5-LD8)]	
4	1.0000	PC	U10-59585-00592	E10-59585-00592	LED HIB;3mm ROUND;YELLOW	[FSB104:00: {1.0}(LD2)]	
5	4.0000	PC		E10-59585-00593	LED HIB;3mm ROUND;YELLOW;NO BOTTOM RING	[P0AAB:01: {4.0}(LD3-LD4,LD9-LD10)]	
6	1.0000	PC		E12-00001-29419	LED; WATER CLEAR;3MM ROUND; WITH RING;RED;LOW BRIGHT		
7	5.0000	PC	U12-57630-00590	E12-57630-00590	LED;3mm ROUND;RD	[P0AAB:04: {4.0}(LD11-LD14)]	
8	2.0000	PC		E12-57630-00591	LED;RD;3mm ROUND NO BOTTOM RING	[P0AAB:01: {2.0}(LD1-LD2)]	

Metal Part

	Quantity	Unit	S.Sku	M.Sku	Description	Reference Designators	Notes
1	2.0000	PC		A62-00000-86271	METAL;POB21;STEEL 1.0mm;BLUE;FRAME;FR307S02F		
2	1.0000	PC		A62-00200-08705	METAL;BOTTOM COVER;FSB104;BLACK;DST.NO:002;DPT.NO:08705(R14-FS114-FOOTBOTTOM-REVB.DWG)		
3	2.0000	PC		A65-00001-23801	METAL;P0846;MATERIAL:STEEL, LOW CARBON;PLATING WHITE ZINC;LS-TY115S02M		
4	1.3600	G		A65-00100-03219	METAL;FOIL;KAPTON;WIDTH:28 mm;THICKNESS:0.125 mm		
5	2.0000	PC		A65-00100-10104	METAL;TOP PLATE;TP115S02E[R];F115*F39.2*6H F60-4*F5;PLATING WEIGHT:408G;DST.NO:001;DPT.NO:10104;(LS-TP115S02E-REVA.DWG)		
6	2.0000	PC		A65-00100-10105	METAL;TOP PLATE;ROUGHCAST;TPR115S01B[R];F115*F39.2*6H F60-4*F5;DST.NO:001;DPT.NO:10105;(LS-TPR115S01B-REVA.DWG)		
7	1.0000	PC		A65-00100-11195	METAL;REAR GRILL;I00405P;DST.NO:001;DPT.NO:11195;(I00405P-REAR_GRILL-REVA.DWG)		HEAT VENTILATION
8	2.0000	PC		A65-00100-12313	METAL;TOP PLATE DISCUS;TPD115S01B;DIA:115xDIA:38x6H;DST.NO:001;DPT.NO:12313;(LS-TPD115S01B[R]-REVA.DWG)		
9	8.0000	PC		A65-02600-21438	METAL;CORNER;BX300/BX600/KX1200;NICKEL PLATING;DWG.NO:21438;(R20-GX112-CORNER-REVC.DWG)		METAL CORNER
10	4.0000	PC		A65-15000-04134	METAL;SPACER;LENGTH:4mm4;HOLE DIA:3mm5;DWG.NO:04134;(R14-FS112-SPACER-REVA.DWG)		PCB FIXING
11	1.0000	PC		J02-00000-08617	METAL;P0A50;TOP;COVER;E004		
12	1.0000	PC		J02-00000-24048	METAL;P0AAD;CABINET;A004		
13	4.0000	PC		A65-15000-04134	METAL;SPACER;LENGTH:4mm4;HOLE DIA:3mm5;DWG.NO:04134;(R14-FS112-SPACER-REVA.DWG)		(EU, UL, JP, UK, SAA, BR, AR, HM)
14	8.0000	PC		A65-02600-21438	METAL;CORNER;BX300/BX600/KX1200;NICKEL PLATING;DWG.NO:21438;(R20-GX112-CORNER-REVC.DWG)		(EU, UL, JP, UK, SAA, BR, AR, HM)
15	1.0000	PC		A65-00100-11195	METAL;REAR GRILL;I00405P;DST.NO:001;DPT.NO:11195;(I00405P-REAR_GRILL-REVA.DWG)		(EU, UL, JP, UK, SAA, BR, AR, HM)

Plastic Part

	Quantity	Unit	S.Sku	M.Sku	Description	Reference Designators	Notes
1	4.0000	PC	W51-00100-14745	G51-00100-14745	PLASTIC;RUBFOOT;P0738;DST.NO:001;DPT.NO:14745;(P0738-RUBFOOT-REVA.DWG)		
2	19.0000	PC		G52-00000-00611	PLASTIC;P0666;ABS PA757;KNOB;INJECTION MOULDING;HIGH GLOSS;INK MARKING;CHROME;I00532P;ROTARY_KNOB;REV:A		
3	5.0000	PC	W52-00400-05276	G52-00400-05276	KNOB;SWITCH 1;MINI-SERIES;DST.NO:004;DPT.NO:05276;(I00040P-SWITCH_BUTTON1-REVD.DWG)		SWITCH BUTTON
4	4.0000	PC	W52-80500-09382	G52-80500-09382	KNOB;SWITCH;FOOTPEDALS;BLACK;DWG.NO:09382;(R14-GUITAR-SWITCHKNOB1-REVA.DWG)		
5	2.0000	PC	W53-00000-04668	G53-00000-04668	PLASTIC;JEWEL;P0404;AMBER TRANSLUCENT		POWER INDICATOR
6	1.0000	PC	W53-26000-22762	G53-26000-22762	FUSE HOLDER;TYPE:FH-B13HA;250V/10A;SPEC:22762	[PSU6:00; {1.0;}(F1)]	
7	1.0000	PC	W53-40900-05211	G53-40900-05211	LEATHER;HANDLE;P0738;BLACK LEATHER+SILVER METAL		
8	1.0000	PC		G58-00000-14199	PLASTIC;P0A2E;HOUSING;BLACK;LD-OPT01;DIM:8*10mm;LDOPT01HOUSING-REVE		
9	1.0000	PC		G58-00100-10528	PLASTIC;PIPING;P0668;DST.NO:001;DPT.NO:10528;(P0668-PIPING-REVA.DWG)		PIPING
10	4.0000	PC		G58-00100-12110	PLASTIC;LED SPACER;P0739;DST.NO:001;DPT.NO:12110;(P0739-LED_SPACER-REVA.DWG)		
11	2.0000	PC		G58-00100-12649	PLASTIC;SPACER LED;I00454P;DST.NO:001;DPT.NO:12649;(I00454P-SPACER_LED-REVA.DWG)		
12	1.0000	PC		G58-00100-14444	PLASTIC;PC SHEET;I00498P;DST.NO:001;DPT.NO:14444;(I00498P-PC_SHEET-REVA)		PSU INSULATION
13	1.0000	PC	W58-00200-09293	G58-00200-09293	PLASTIC;BUGERA LOGO;I00315P;CHROME;DST.NO:002;DPT.NO:09293;(I00315P-BUGERA_LOGO-REVB.dwt)		
14	4.0000	PC		G58-00200-11129	PLASTIC;LED SPACER;MOULDING;BLACK;NO:8LENGTH:9MM;DST.NO:002;DPT.NO:11129;(LED-SPACER9MM.REVB.DWG)		
15	2.0000	PC		G58-00200-11704	PLASTIC;SPACER LED REC;I00355P;DST.NO:002;DPT.NO:11704;(I00355P-SPACER_LED_REC-REVB.DWG)		
16	2.0000	PC		G58-00300-11196	PLASTIC;RUBBER SUPPORT;I00274P;DST.NO:003;DPT.NO:11196;(I00274P-RUBBER_SUPPORT-REVC.DWG)		REAR GRILL SUPPORT
17	5.0000	PC		G58-00400-07922	PLASTIC;GUIDE;P0370;ABS PA757;BLACK;DST.NO:004;DPT.NO:7922;(BXL450A-SWITCH_GUIDE-REVD.DWG)		SWITCH GUIDE
18	3.0000	PC		G58-00500-11675	LED CAP;2CAVITIES;3mm LED;BLACK;DST.NO:005;DPT.NO:11675;(R20-PRO-2HOLELEDHOLDER-REVE.DWG)		
19	4.0000	PC		G58-53000-25624	PLASTIC;BASE;P0089;ABS;YS1285A;BLACK;FS112 FS114 FCB1010;COLOR:BLK;DWG.NO:25624;(R14-GUITAR-SWITCHBASE1-REVB.DWG)		
20	2.0000	PC		G59-00100-14812	CERAMIC;P0406;DST.NO:001;DPT.NO:11647(P0406-CERAMIC1-REVA.DWG)		
21	5.0000	PC	W52-00400-05276	G52-00400-05276	KNOB;SWITCH 1;MINI-SERIES;DST.NO:004;DPT.NO:05276;(I00040P-SWITCH_BUTTON1-REVD.DWG)		(EU, UL, JP, UK, SAA, BR, AR, HM)
22	1.0000	PC		G58-00100-14444	PLASTIC;PC SHEET;I00498P;DST.NO:001;DPT.NO:14444;(I00498P-PC_SHEET-REVA)		(EU, UL, JP, UK, SAA, BR, AR, HM)
23	2.0000	PC	W53-00000-04668	G53-00000-04668	PLASTIC;JEWEL;P0404;AMBER TRANSLUCENT		(EU, UL, JP, UK, SAA, BR, AR, HM)
24	2.0000	PC		G58-00300-11196	PLASTIC;RUBBER SUPPORT;I00274P;DST.NO:003;DPT.NO:11196;(I00274P-RUBBER_SUPPORT-REVC.DWG)		(EU, UL, JP, UK, SAA, BR, AR, HM)
25	5.0000	PC		G58-00400-07922	PLASTIC;GUIDE;P0370;ABS PA757;BLACK;DST.NO:004;DPT.NO:7922;(BXL450A-SWITCH_GUIDE-REVD.DWG)		(EU, UL, JP, UK, SAA, BR, AR, HM)

	Quantity	Unit	S.Sku	M.Sku	Description	Reference Designators	Notes
26	1.0000	PC		G58-00100-10528	PLASTIC;PIPING;P0668;DST.NO:001;DPT.NO:10528;(P0668-PIPING-REVA.DWG)		(EU, UL, JP, UK, SAA, BR, AR, HM)

Plug Socket

	Quantity	Unit	S.Sku	M.Sku	Description	Reference Designators	Notes
1	1.0000	PC	W61-65220-03293	G61-65220-03293	BOX HEADER;POLES:20;2 ROW;STRAIGHT;PITCH:2mm54;SCM-20S	[B:00: {1.0}(X3)]	
2	1.0000	PC		G61-75220-13428	CABLE HEADER;POLES:20;2 ROW;IDE;STRAIGHT;PITCH:2mm54;FC-20P		
3	1.0000	PC		G61-85220-08163	TRANSITION PLUG;FLAT CABLE;POLES:20;ROWS:2;STRAIGHT;PITCH:2mm54;BLACK;FD-20P		
4	1.0000	PC	W64-01211-03174	G64-01211-03174	PLUG;JACK STEREO 6mm3;STRAIGHT SOLDER;W/O MET.RNG.;MET.BUSH.;NO NUT/WASHER;(JY-6351G-02-250)	[POAAB:04: {1.0}(X9)]	
5	2.0000	PC	W64-16112-00062	G64-16112-00062	PLUG;JACK MONO 6mm3;STRAIGHT SOLDER;DUAL TIP/NO RING CONTACTS;MET.BUSH.;NO NUT/WASHER;(CHUNSHENG PJ-636HA)	[POAAB:04: {2.0}(X10-X11)]	
6	3.0000	PC	W64-16212-00005	G64-16212-00005	PLUG;PCB;PLUG;JACK STEREO 6mm3;STRAIGHTPCB LUGS;NO NUT/WASHER;METAL BUSHING;(CHUNSHENG PJ-632HA)	[POAAB:01: {1.0}(X7)]	
7	1.0000	PC		G67-30103-01969	SOCKET;AC;PCB MOUNT;COLOR:BLACK;POLES:03;(SS-7B-1-T7NUT2)	[PSU6:00: {1.0}(X1)]	
8	1.0000	PC		G71-00000-03961	WAFER;V1000-14B,0.35um;LOGIC-3.3V(1P4M)		
9	17.0000	PC	W71-23102-04756	G71-23102-04756	WAFER;POLES:2;STRAIGHT;PITCH:2 mm;1 ROW;TYPE:A2006WV-2P	[B:00: {1.0}(X4)]	
10	2.0000	PC	W71-23103-04757	G71-23103-04757	WAFER;POLES:3;STRAIGHT;PITCH:2 mm;1 ROW;TYPE:A2006WV-3P	[POAAB:01: {1.0}(X40)]	
11	1.0000	PC		G71-23103-04986	WAFER;POLES:3;STRAIGHT;PITCH:2 mm;1 ROW;A2006WV-03-S1;NO MIDDLE PIN	[POAAB:03: {1.0}(X66)]	
12	1.0000	PC	W71-23104-04758	G71-23104-04758	WAFER;POLES:4;STRAIGHT;PITCH:2 mm;1 ROW;TYPE:A2006WV-4P	[POAAB:00: {1.0}(X1)]	
13	5.0000	PC	W71-23105-04745	G71-23105-04745	WAFER;POLES:5;STRAIGHT;PITCH:2 mm;1 ROW;TYPE:A2006WV-5P	[B:00: {1.0}(X1)]	
14	1.0000	PC	W71-23107-04746	G71-23107-04746	WAFER;POLES:7;STRAIGHT;PITCH:2 mm;1 ROW;TYPE:A2006WV-7P	[POAAB:01: {1.0}(X48)]	
15	1.0000	PC	W71-23111-04750	G71-23111-04750	WAFER;POLES:11;STRAIGHT;PITCH:2 mm;1 ROW;TYPE:A2006WV-11P	[POAAB:00: {1.0}(X3)]	
16	2.0000	PC	W71-27102-04450	G71-27102-04450	WAFER;POLES:2;STRAIGHT;PITCH:3.96 mm;1 ROW;JS1120-03-S1;NO MIDDLE PIN	[PSU6:00: {1.0}(X4)]	
17	1.0000	PC	W71-27102-04759	G71-27102-04759	WAFER;POLES:2;STRAIGHT;PITCH:3.96 mm;1 ROW;JS1120-02	[POAAB:02: {1.0}(X21)]	
18	1.0000	PC		G71-27103-04449	WAFER;POLES:3;STRAIGHT;PITCH:3.96 mm;1 ROW;JS1120-03	[POAAB:02: {1.0}(X31)]	
19	17.0000	PC	W71-43102-05994	G71-43102-05994	PLUG;HOUSING;POLES:2;ROWS:1;STRAIGHT;PITCH:2mm;TYP:A2008		
20	3.0000	PC	W71-43103-05995	G71-43103-05995	PLUG;HOUSING;POLES:3;ROWS:1;STRAIGHT;PITCH:2mm;TYP:A2008		
21	5.0000	PC	W71-43105-05997	G71-43105-05997	PLUG;HOUSING;POLES:5;ROWS:1;STRAIGHT;PITCH:2mm;TYP:A2008		
22	1.0000	PC	W71-43107-05999	G71-43107-05999	PLUG;HOUSING;POLES:7;ROWS:1;STRAIGHT;PITCH:2mm;TYP:A2008		
23	1.0000	PC	W71-43111-06003	G71-43111-06003	PLUG;HOUSING;POLES:11;ROWS:1;STRAIGHT;PITCH:2mm;TYP:A2008		
24	1.0000	PC	W71-47102-05844	G71-47102-05844	PLUG;HOUSING;A3963H02;PITCH:3mm96;POLES:2;ROWS:1;UL94-V0;STRAIGHT		
25	2.0000	PC		G71-47110-01424	PLUG;HOUSING;PLUG;POLES:10;ROWS:1;STRAIGHT;PITCH:3mm96;TYP:JS4008		
26	54.0000	PC	W71-80000-05663	G71-80000-05663	BD.-IN-CONN;TERMINAL;SAN-002T-0.8A		
27	12.0000	PC	W71-83102-05642	G71-83102-05642	BOARD-IN-CONNECTOR;POLES:2;ROWS:1;STRAIGHT;PITCH:2 mm		
28	2.0000	PC	W71-83103-05643	G71-83103-05643	BOARD-IN-CONNECTOR;POLES:3;ROWS:1;STRAIGHT;PITCH:2 mm		
29	2.0000	PC	W71-83105-05647	G71-83105-05647	BOARD-IN-CONNECTOR;POLES:5;ROWS:1;STRAIGHT;PITCH:2 mm		
30	2.0000	PC	W71-83107-05651	G71-83107-05651	BOARD-IN-CONNECTOR;POLES:7;ROWS:1;STRAIGHT;PITCH:2 mm		
31	4.0000	PC	W73-18509-01217	G73-18509-01217	SOCKET;BOARD-IN;POLES:09;VACUUM TUBE;FOR 6L6GC;CERAMIC;COLOR:WHT;VERSION3;GZC8-Y-5	[POAAB:03: {4.0}(V1-V4)]	
32	1.0000	PC		G73-18509-25299	SOCKET;TUBESOCKET9P;POLES:09;PLATING;VACUUM TUBE;12AX7;CERAMIC;COLOR:WHT;ZINC;GZC9-A;VERSION2	[POAAB:03: {1.0}(V5)]	
33	3.0000	PC	W73-28509-01218	G73-28509-01218	SOCKET;POLES:09;VACUUM TUBE;FOR 12AX7;CERAMIC;COLOR:WHT;W/ SOLDER LUGS;VERSION1;TUS9PC9C	[POAAB:02: {3.0}(V6-V8)]	
34	1.0000	PC	W76-20540-04361	G76-20540-04361	PLUG;DIN;(CHUNSHENG DIN-537HA-EP);PLUG;FEMALE;POLES:05;STRAIGHT;MINI;01	[POAAB:04: {1.0}(X8)]	CUTOFF: IDENTIFIED FROM X-MINDINJACKF-5P/V/*
35	1.0000	PC	W76-20540-04361	G76-20540-04361	PLUG;DIN;(CHUNSHENG DIN-537HA-EP);PLUG;FEMALE;POLES:05;STRAIGHT;MINI;01	[POAAB:04: {1.0}(X8)]	(EU, UL, JP, UK, SAA, BR, AR, HM)

Power Supply

	Quantity	Unit	S.Sku	M.Sku	Description	Reference Designators	Notes
1	1.0000	PC	Z60-80000-01996	J60-80000-01996	TRAFO;AUDIO I/O;EI0165(R1L);NANHAI NRE		
2	1.0000	PC	Z65-96704-05464	J65-96704-05464	TRAFO;EI;P0670;EI01066(R1L);EU 230V;NANHAI NRE		(EU, UK, SAA, AR)
3	1.0000	PC		J65-96707-05467	TRAFO;EI;P0670;EI0177(R1L);JP 100V;NANHAI NRE		(JP, HM, SH)
4	1.0000	PC		J65-96705-05465	TRAFO;EI;P0670;EI0176(R1L);UL 120V;NANHAI NRE		(UL, BR)

Quarz

	Quantity	Unit	S.Sku	M.Sku	Description	Reference Designators	Notes
1	1.0000	PC	X65-10471-00000	H65-10471-00000	QUARZ;RESONATOR;10MHz;HC49U FUNDAMENTAL	[B:00: {1.0}(Q1)]	

Resistor

	Quantity	Unit	S.Sku	M.Sku	Description	Reference Designators	Notes
1	3.0000	PC			RESISTOR;CARBON;20ohm;5%;0W063;SMD603	[Z:00: {3.0}(R4-R6)]	*NOT available in DP
2	1.0000	PC			RESISTOR;CARBON;100ohm;5%;0W063;SMD603	[Z:00: {1.0}(R2)]	*NOT available in DP
3	1.0000	PC			RESISTOR;CARBON;360ohm;5%;0W063;SMD603	[Z:00: {1.0}(R17)]	*NOT available in DP
4	1.0000	PC			RESISTOR;CARBON;470ohm;5%;0W063;SMD603	[Z:00: {1.0}(R10)]	*NOT available in DP
5	4.0000	PC			RESISTOR;CARBON;750ohm;5%;0W063;SMD603	[POAAC:00: {4.0}(R51,R53,R55,R57)]	*NOT available in DP
6	1.0000	PC			RESISTOR;CARBON;1Kohm2;5%;0W063;SMD603	[Z:00: {1.0}(R15)]	*NOT available in DP
7	2.0000	PC			RESISTOR;CARBON;2Kohm2;5%;0W063;SMD603	[Z:00: {2.0}(R11,R14)]	*NOT available in DP
8	2.0000	PC			RESISTOR;CARBON;4Kohm7;5%;0W063;SMD603	[Z:00: {2.0}(R12-R13)]	*NOT available in DP
9	5.0000	PC			RESISTOR;CARBON;10Kohm;5%;0W063;SMD603	[Z:00: {5.0}(R18-R22)]	*NOT available in DP
10	1.0000	PC			RESISTOR;CARBON;16Kohm;5%;0W063;SMD603	[Z:00: {1.0}(R16)]	*NOT available in DP
11	1.0000	PC			RESISTOR;CARBON;100Kohm;5%;0W063;SMD603	[POAAC:00: {1.0}(R54)]	*NOT available in DP
12	1.0000	PC			RESISTOR;CARBON;1Mohm;5%;0W063;SMD603	[Z:00: {1.0}(R9)]	*NOT available in DP
13	4.0000	PC			RESISTOR;METAL;200ohm;1%;0W063;SMD603	[POAAC:00: {4.0}(R15-R16,R23,R26)]	*NOT available in DP
14	4.0000	PC			RESISTOR;METAL;7Kohm50;1%;0W063;SMD603	[POAAC:00: {4.0}(R12,R14,R24-R25)]	*NOT available in DP
15	4.0000	PC			RESISTOR;METAL;8Kohm06;1%;0W063;SMD603	[POAAC:00: {4.0}(R60-R61,R68-R69)]	*NOT available in DP
16	11.0000	PC			RESISTOR;METAL;10Kohm;1%;0W063;SMD603	[POAAC:00: {11.0}(R3,R6-R7,R17-R18,R27,R30,R56,R58,R74,R77)]	*NOT available in DP
17	8.0000	PC			RESISTOR;METAL;20Kohm;1%;0W063;SMD603	[POAAC:00: {8.0}(R9-R10,R20-R21,R63-R64,R70-R71)]	*NOT available in DP
18	5.0000	PC			RESISTOR;METAL;22Kohm;1%;0W063;SMD603	[POAAC:00: {5.0}(R32-R33,R41-R42,R46)]	*NOT available in DP
19	4.0000	PC			RESISTOR;METAL;30Kohm1;1%;0W063;SMD603	[POAAC:00: {4.0}(R66-R67,R72-R73)]	*NOT available in DP
20	5.0000	PC			RESISTOR;METAL;33Kohm;1%;0W063;SMD603	[POAAC:00: {5.0}(R4,R28-R29,R75-R76)]	*NOT available in DP
21	1.0000	PC			RESISTOR;METAL;56Kohm;1%;0W063;SMD603	[POAAC:00: {1.0}(R13)]	*NOT available in DP
22	6.0000	PC			RESISTOR;METAL;100Kohm;1%;0W063;SMD603	[POAAC:00: {6.0}(R2,R8,R11,R19,R22,R45)]	*NOT available in DP
23	1.0000	PC			RESISTOR;METAL;274Kohm;1%;0W063;SMD603	[POAAC:00: {1.0}(R48)]	*NOT available in DP
24	5.0000	PC			RESISTOR;METAL;470Kohm;1%;0W063;SMD603	[POAAC:00: {5.0}(R35-R36,R39-R40,R52)]	*NOT available in DP
25	1.0000	PC			RESISTOR;CARBON;2ohm2;5%;0W1;SMD805	[Z:00: {1.0}(R8)]	*NOT available in DP
26	1.0000	PC			RESISTOR;CARBON;5ohm1;5%;0W1;SMD805	[Z:00: {1.0}(R7)]	*NOT available in DP
27	5.0000	PC			RESISTOR;CARBON;10Kohm;5%;0W1;SMD805	[Z:00: {1.0}(R3)]	*NOT available in DP
28	1.0000	PC			RESISTOR;CARBON;47Kohm;5%;0W1;SMD805	[POAAC:00: {1.0}(R47)]	*NOT available in DP
29	8.0000	PC			RESISTOR;METAL;47Kohm;1%;0W1;SMD805	[POAAC:00: {8.0}(R31,R34,R37-R38,R43-R44,R62,R65)]	*NOT available in DP
30	1.0000	PC			RESISTOR;CARBON;47ohm;5%;0W25;LEAD WIRE;HORIZONTAL 26-6mm	[POAAB:02: {1.0}(R118)]	*NOT available in DP
31	5.0000	PC			RESISTOR;CARBON;100ohm;5%;0W25;LEAD WIRE;HORIZONTAL 26-6mm	[POAAB:01: {5.0}(R28,R41-R42,R68,R71)]	*NOT available in DP
32	1.0000	PC			RESISTOR;CARBON;240ohm;5%;0W25;LEAD WIRE;HORIZONTAL 26-6mm	[POAAB:01: {1.0}(R69)]	*NOT available in DP
33	2.0000	PC			RESISTOR;CARBON;470ohm;5%;0W25;LEAD WIRE;HORIZONTAL 26-6mm	[POAAB:03: {1.0}(R5)]	*NOT available in DP
34	3.0000	PC			RESISTOR;CARBON;1Kohm;5%;0W25;LEAD WIRE;HORIZONTAL 26-6mm	[POAAB:01: {3.0}(R50-R51,R70)]	*NOT available in DP
35	1.0000	PC			RESISTOR;CARBON;2Kohm2;5%;0W25;LEAD WIRE;HORIZONTAL 26-6mm	[POAAB:02: {1.0}(R121)]	*NOT available in DP
36	3.0000	PC			RESISTOR;CARBON;4Kohm7;5%;0W25;LEAD WIRE;HORIZONTAL 26-6mm	[POAAB:02: {1.0}(R115)]	*NOT available in DP
37	1.0000	PC			RESISTOR;CARBON;6Kohm8;5%;0W25;LEAD WIRE;HORIZONTAL 26-6mm	[POAAB:04: {1.0}(R77)]	*NOT available in DP
38	13.0000	PC			RESISTOR;CARBON;10Kohm;5%;0W25;LEAD WIRE;HORIZONTAL 26-6mm	[POAAB:01: {7.0}(R26,R29,R48,R56-R58,R72)]	*NOT available in DP

	Quantity	Unit	S.Sku	M.Sku	Description	Reference Designators	Notes
39	5.0000	PC			RESISTOR;CARBON;22Kohm;5%;0W25;LEAD WIRE;HORIZONTAL 26-6mm	[P0AAB:01: {1.0}(R37)]	*NOT available in DP
40	1.0000	PC			RESISTOR;CARBON;33Kohm;5%;0W25;LEAD WIRE;HORIZONTAL 26-6mm	[P0AAB:01: {1.0}(R27)]	*NOT available in DP
41	3.0000	PC			RESISTOR;CARBON;47Kohm;5%;0W25;LEAD WIRE;HORIZONTAL 26-6mm	[P0AAB:01: {2.0}(R49,R64)]	*NOT available in DP
42	5.0000	PC			RESISTOR;CARBON;68Kohm;5%;0W25;LEAD WIRE;HORIZONTAL 26-6mm	[P0AAB:01: {1.0}(R47)]	*NOT available in DP
43	1.0000	PC			RESISTOR;CARBON;82Kohm;5%;0W25;LEAD WIRE;HORIZONTAL 26-6mm	[P0AAB:04: {1.0}(R74)]	*NOT available in DP
44	13.0000	PC			RESISTOR;CARBON;100Kohm;5%;0W25;LEAD WIRE;HORIZONTAL 26-6mm	[P0AAB:01: {11.0}(R32,R40,R44,R54-R55,R61-R63,R66-R67,R73)]	*NOT available in DP
45	2.0000	PC			RESISTOR;CARBON;150Kohm;5%;0W25;LEAD WIRE;HORIZONTAL 26-6mm	[P0AAB:01: {2.0}(R31,R60)]	*NOT available in DP
46	8.0000	PC			RESISTOR;CARBON;220Kohm;5%;0W25;LEAD WIRE;HORIZONTAL 26-6mm	[P0AAB:01: {7.0}(R34-R36,R38,R43,R52-R53)]	*NOT available in DP
47	2.0000	PC			RESISTOR;CARBON;240Kohm;5%;0W25;LEAD WIRE;HORIZONTAL 26-6mm	[P0AAB:01: {2.0}(R30,R59)]	*NOT available in DP
48	2.0000	PC			RESISTOR;CARBON;330Kohm;5%;0W25;LEAD WIRE;HORIZONTAL 26-6mm	[P0AAB:01: {1.0}(R45)]	*NOT available in DP
49	10.0000	PC			RESISTOR;CARBON;470Kohm;5%;0W25;LEAD WIRE;HORIZONTAL 26-6mm	[P0AAB:01: {1.0}(R46)]	*NOT available in DP
50	2.0000	PC			RESISTOR;CARBON;510Kohm;5%;0W25;LEAD WIRE;HORIZONTAL 26-6mm	[P0AAB:02: {2.0}(R7,R9)]	*NOT available in DP
51	1.0000	PC			RESISTOR;CARBON;680Kohm;5%;0W25;LEAD WIRE;HORIZONTAL 26-6mm	[P0AAB:02: {1.0}(R94)]	*NOT available in DP
52	11.0000	PC			RESISTOR;CARBON;1Mohm;5%;0W25;LEAD WIRE;HORIZONTAL 26-6mm	[P0AAB:01: {1.0}(R65)]	*NOT available in DP
53	5.0000	PC			RESISTOR;CARBON;2Mohm2;5%;0W25;LEAD WIRE;HORIZONTAL 26-6mm	[P0AAB:01: {1.0}(R39)]	*NOT available in DP
54	6.0000	PC			RESISTOR;METAL;1Kohm5;1%;0W25;LEAD WIRE;HORIZONTAL 26-6mm	[P0AAB:02: {6.0}(R95,R103,R106,R111-R113)]	*NOT available in DP
55	1.0000	PC			RESISTOR;METAL;10Kohm;1%;0W25;LEAD WIRE;HORIZONTAL 26-6mm	[P0AAB:01: {1.0}(R33)]	*NOT available in DP
56	5.0000	PC			RESISTOR;METAL;100Kohm;1%;0W25;LEAD WIRE;HORIZONTAL 26-6mm	[P0AAB:02: {5.0}(R88,R91-R92,R97,R120)]	*NOT available in DP
57	1.0000	PC			RESISTOR;METAL;150Kohm;1%;0W25;LEAD WIRE;HORIZONTAL 26-6mm	[P0AAB:02: {1.0}(R93)]	*NOT available in DP
58	1.0000	PC			RESISTOR;METAL;470Kohm;1%;0W25;LEAD WIRE;HORIZONTAL 26-6mm	[P0AAB:02: {1.0}(R116)]	*NOT available in DP
59	4.0000	PC			RESISTOR;METAL;4.7 ohm;2W;1 %;MET;HORIZONTAL 52-6mm	[P0AAB:03: {4.0}(R23,R126-R128)]	*NOT available in DP
60	3.0000	PC			RESISTOR;CARBON;220ohm;5%;0W25;LEAD WIRE	[FSB104:00: {3.0}(R1,R6,R9)]	*NOT available in DP
61	1.0000	PC			RESISTOR;CARBON;1Kohm;5%;0W25;LEAD WIRE	[FSB104:00: {1.0}(R5)]	*NOT available in DP
62	1.0000	PC			RESISTOR;CARBON;3Kohm3;5%;0W25;LEAD WIRE	[FSB104:00: {1.0}(R7)]	*NOT available in DP
63	1.0000	PC			RESISTOR;CARBON;6Kohm8;5%;0W25;LEAD WIRE	[FSB104:00: {1.0}(R8)]	*NOT available in DP
64	1.0000	PC			RESISTOR;CARBON;10Kohm;5%;0W25;LEAD WIRE	[FSB104:00: {1.0}(R4)]	*NOT available in DP
65	1.0000	PC			RESISTOR;CARBON;47Kohm;5%;0W25;LEAD WIRE	[FSB104:00: {1.0}(R3)]	*NOT available in DP
66	1.0000	PC			RESISTOR;CARBON;100Kohm;5%;0W25;LEAD WIRE	[FSB104:00: {1.0}(R2)]	*NOT available in DP
67	1.0000	PC			RESISTOR;CARBON;27ohm;5%;1W;LEAD WIRE	[P0AAB:02: {1.0}(R117)]	*NOT available in DP
68	2.0000	PC			RESISTOR;CARBON;100ohm;5%;1W;LEAD WIRE	[P0AAB:03: {2.0}(R16,R18)]	*NOT available in DP
69	2.0000	PC			RESISTOR;CARBON;1Kohm5;5%;1W;LEAD WIRE	[P0AAB:00: {2.0}(R1-R2)]	*NOT available in DP
70	3.0000	PC			RESISTOR;CARBON;22Kohm;5%;1W;LEAD WIRE	[P0AAB:02: {2.0}(R85,R87)]	*NOT available in DP
71	4.0000	PC			RESISTOR;CARBON;220Kohm;5%;1W;LEAD WIRE	[P0AAB:02: {4.0}(R81-R82,R89-R90)]	*NOT available in DP
72	1.0000	PC			RESISTOR;CEMENT;100ohm;5%;2W;LEAD WIRE;RADIAL;PITCH:5mm;PRE CUT:3mm1+/-0mm5	[P0AAB:00: {1.0}(R59)]	*NOT available in DP

	Quantity	Unit	S.Sku	M.Sku	Description	Reference Designators	Notes
73	2.0000	PC			RESISTOR;CEMENT;51ohm;5%;5W;LEAD WIRE;RADIAL;PITCH:5mm;PRECUT:3mm1+/-0mm5	[P0AAB:02: {2.0}(R105,R114)]	*NOT available in DP
74	4.0000	PC			RESISTOR;CEMENT;680ohm;5%;5W;LEAD WIRE;AXIAL	[P0AAB:03: {4.0}(R1-R2,R8,R11)]	*NOT available in DP
75	1.0000	PC			RESISTOR;CEMENT;3Kohm9;5%;5W;LEAD WIRE;RADIAL;PITCH:5mm;PRECUT:3mm1+/-0mm5	[P0AAB:02: {1.0}(R84)]	*NOT available in DP
76	1.0000	PC			RESISTOR;METAL OXIDE;100ohm;5%;5W;LEAD WIRE;AXIAL	[B:00: {1.0}(R1)]	*NOT available in DP
77	1.0000	PC			RESISTOR;CEMENT;390ohm;5%;10W;LEAD WIRE;AXIAL	[P0AAB:02: {1.0}(R83)]	*NOT available in DP
78	1.0000	PC	Y04-12000-03091	I04-12000-03091	THERMISTOR;NTC;20ohm;+/- 20%;4A;DIA;PITCH:7mm5;(THINKING SCK-20200MSY)	[PSU6:00: {1.0}(R1)]	(EU, UK, SAA, AR)
79	1.0000	PC	Y04-11000-00189	I04-11000-00189	THERMISTOR;NTC;10ohm;15%;6A;DIA;PITCH:10mm;(BQ 10D2-18 LD)	[PSU6:00: {1.0}(R1)]	(UL, JP, BR, HM, SH)

Potentiometer

	Quantity	Unit	S.Sku	M.Sku	Description	Reference Designators	Notes
1	8.0000	PC	Y03-00000-01293	I03-00000-01293	POTENTIOMETER;250 kohm;B;12 %;MONO;BULK;50-90gf;SHAFT:39.6MM	[P0AAB:01: {8.0}(VR3-VR5,VR7,VR10,VR14-VR16)]	
2	3.0000	PC	Y03-00000-01297	I03-00000-01297	POTENTIOMETER;100 kohm;A;12 %;MONO;BULK;50-90gf;SHAFT:39.6MM	[P0AAB:01: {3.0}(VR2,VR8,VR13)]	
3	2.0000	PC	Y03-00000-01300	I03-00000-01300	POTENTIOMETER;10 kohm;B;12 %;MONO;BULK;50-90gf;SHAFT:39.6MM	[P0AAB:04: {2.0}(VR18-VR19)]	
4	1.0000	PC		I03-00000-01324	POTENTIOMETER;100 kohm;B;12 %;MONO;BULK;50-90gf;SHAFT:39.6MM	[P0AAB:04: {1.0}(VR20)]	
5	1.0000	PC	Y03-00000-18521	I03-00000-18521	POTENTIOMETER;1 Mohm;D;20 %;MONO;0.05W;TORQUE:50-90gf.cm;SHAFT:39.6mm	[P0AAB:01: {1.0}(VR6)]	
6	1.0000	PC		I03-00000-18918	POTENTIOMETER;1 Mohm;A;20 %;MONO;0.05W;TORQUE:50-90gf.cm;SHAFT:39.6mm	[P0AAB:01: {1.0}(VR9)]	
7	1.0000	PC		I03-00000-18919	POTENTIOMETER;250 kohm;A;12 %;MONO;0.05W;TORQUE:50-90gf.cm;SHAFT:39.6mm	[P0AAB:01: {1.0}(VR12)]	
8	2.0000	PC		I03-00000-18920	POTENTIOMETER;50 kohm;A;12 %;MONO;0.05W;TORQUE:50-90gf.cm;SHAFT:39.6mm	[P0AAB:01: {2.0}(VR11,VR17)]	

Speaker Part

	Quantity	Unit	S.Sku	M.Sku	Description	Reference Designators	Notes
1	2.0000	PC		H77-00000-85759	WOOFER;8 OHM;POB21;TS-12G280A8;12 inch;70 watts		SPEAKER
2	2.0000	PC		H79-00000-02916	GASKET;BLACK;GA304P8A		
3	2.0000	PC	X79-00100-03195	H79-00100-03195	MAGNET;MG121FE22A;MATERIAL:Y30;DIA 121x57x15H;DST.NO:001;DPT.NO:03195;(LS-MG121FE22A-REVA.DWG)		
4	2.0000	PC		H79-00100-03199	VOICE COIL;VC37_5K5_0A;BOBBIN MATERIAL:KAPTON;DIAMETER:37mm5;28H;DC RESISTANCE:5 ohm;WIRE DIA:0mm21;WINDING HEIGHT:1.0mm;DST.NO:001;DPT.NO:03199;(LS-VC37_5K5_0A-REVA.DWG)		
5	2.0000	PC		H79-00100-06315	DUST CAP;DC95CL02A;MATERIAL:BLACK CLOTH;OUTER DIAMETER:95mm;HEIGHT:18mm5;DST.NO:001;DPT.NO:06315;(LS-DC95CL02A-REVA.DWG)		
6	2.0000	PC		H79-00100-07501	CONE;CP297P75_5A;MATERIAL:PAPER;OUTER DIAMETER:297mm;HEIGHT:75mm5;CENTRE HOLE:F38mm5;DST.NO:001;DPT.NO:07501;(LS-CP297P75_5A-REVB.DWG)		
7	2.0000	PC		H79-00200-07500	DAMPER;DP125CX01A;MATERIAL:CONEX;OUTSIDE DIAMETER:125mm;HOLE:F38mm;HEIGHT:7mm;;DST.NO:002;DPT.NO:07500;(LS-DP125CX01A-REVB.DWG)		
8	2.0000	PC		H77-00000-85759	WOOFER;8 OHM;POB21;TS-12G280A8;12 inch;70 watts		(EU, UL, JP, UK, SAA, BR, AR, HM)

Switch

	Quantity	Unit	S.Sku	M.Sku	Description	Reference Designators	Notes
1	5.0000	PC	Y77-03822-02779	I77-03822-02779	SWITCH;RADIAL;2P2T;PCB VERSION;NONLOCK;NONSHORT;RAD2P/NON	[P0AAB:01: {5.0}(SW2-SW6)]	
2	2.0000	PC	Y86-00423-01545	I86-00423-01545	SWITCH;SLIDE;2P3T;PCB VERSION;LOCKING;NONSHORT;PBS-110-K2C21H	[P0AAB:04: {2.0}(SW7-SW8)]	
3	4.0000	PC	Y87-43811-03768	I87-43811-03768	SWITCH;TACTILE;POLES:1;HEIGHT:4mm3;PCB VERSION;NONLOCK;NONSHORT	[F5B104:00: {4.0}(SW1-SW4)]	
4	2.0000	PC		I90-00000-23478	SWITCH;TOGGLE;1;LOCKING;NONSHORT;2;ARCO;PWR.16(4)A250Vac ;SOLDER LUG;KEYWAY ON LEFT		

Transistor

	Quantity	Unit	S.Sku	M.Sku	Description	Reference Designators	Notes
1	1.0000	PC			TRANSISTOR;BC856B;SOT;SMD	[Z:00: {1.0}(T1)]	*NOT available in DP
2	5.0000	PC			TRANSISTOR;MP5A06;TO92;P:2.54(BENT LEAD)	[P0AAB:01: {3.0}(T1-T2,T4)]	*NOT available in DP
3	4.0000	PC			TRANSISTOR;MBTA92;SOT	[P0AAC:00: {4.0}(T1-T4)]	*NOT available in DP
4	1.0000	PC			TRANSISTOR;MMBT5401;SOT23	[P0AAC:00: {1.0}(Q1)]	*NOT available in DP
5	1.0000	PC			TRANSISTOR;J113;TO92	[P0AAB:01: {1.0}(T3)]	*NOT available in DP

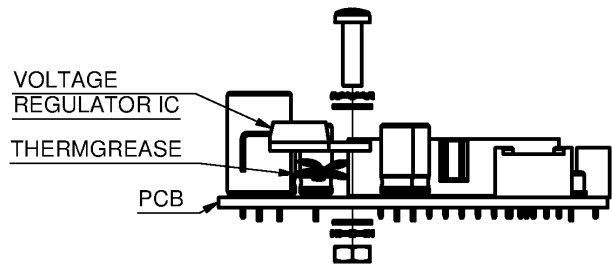
Cover

	Quantity	Unit	S.Sku	M.Sku	Description	Reference Designators	Notes
1	1.1000	YD		J11-30000-05973	ARTIFICIAL LEATHER;RX-1229-LB;THICKNESS:0.8mm;WIDTH:1380mm;COLOR:BLACK		

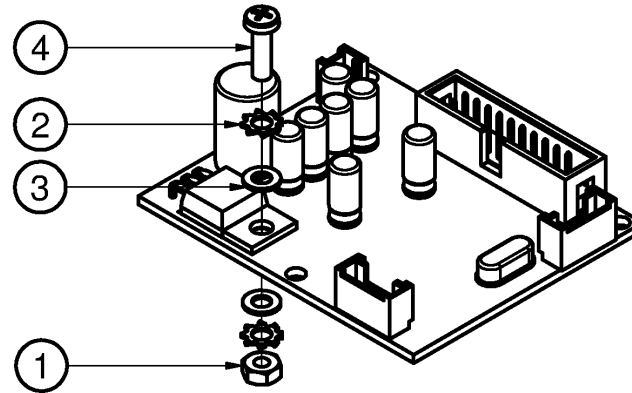
Vacuum Tube

	Quantity	Unit	S.Sku	M.Sku	Description	Reference Designators	Notes
1	4.0000	PC	Z83-65016-67108	J83-65016-67108	TUBE;PENTODE;6L6GC;SHUGUANG		
2	4.0000	PC		J83-65016-68008	TUBE;PENTODE;6L6GC;SHUGUANG;NO ARTWORK		
3	1.0000	PC	Z84-17012-17109	J84-17012-17109	TUBE;DOUBLE TRIODE;12AX7A;SHUGUANG		
4	4.0000	PC	Z84-17012-78009	J84-17012-78009	TUBE;DOUBLE TRIODE;12AX7;SHUGUANG;NO ARTWORK		
5	1.0000	PC	Z84-76012-07109	J84-76012-07109	TUBE;DOUBLE TRIODE;P0962;12AX7B;SHUGUANG;FST.NO:001		
6	2.0000	PC		J84-76012-97109	TUBE;DOUBLE TRIODE;P0963;12AX7C;SHUGUANG;FST.NO:001		

REVISION HISTORY				
REV	DESCRIPTION	DATE	REVISED	APPROVED
A	DRAWING RELEASED	2011-04-01	N.CARDINAL	SHIRLEY.XIAO





VOLTAGE REGULATOR IC ASSEMBLY



4	F88-30100-30291	1	SC-M03*10-03-B-ZP-SLV[R]	
3	F96-10300-60050	2	SC-WAPL3*6*0.5[R]	
2	F96-40300-60053	2	SC-WA-03-030*060*005-CR3-SLV[R]	
1	F85-03000-44001	1	SC-NUHEXM03[R]	
ITEM	ITEM NUMBER	QTY	ITEM CODE	CONSTRUCTION NO.

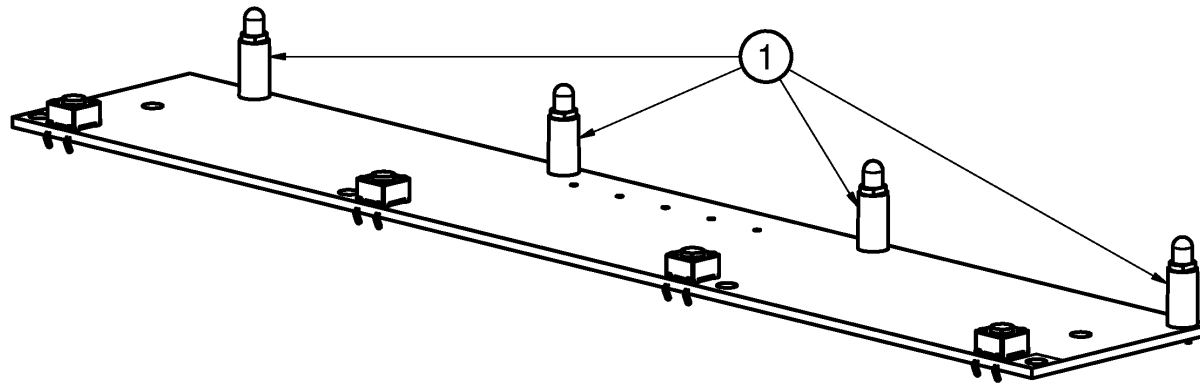
MECHANICAL PARTS LIST

All information (including drawings and diagrams) contained in this document is the property of MUSIC GROUP LTD. Addressee whom the information is confided to shall maintain the information in confidence and shall not release it to any unauthorized third parties (except under attorney client privilege or under appropriate confidentiality agreements). Any unauthorized disclosure, use, application or any other dealings in the information shall result in civil and/or (where applicable) criminal liabilities and penalties.

 MUSIC GROUP	PROJECT: P0AAB	DRAWN: N.CARDINAL	DESCRIPTION: P0AAB-PCB_BDM5-EXP	
	MATERIAL: N/A	CHECKED: HUA MING.YE	SIZE: A4	DRAWING NUMBER: 014-00000-33776
	FINISH: N/A	APPROVED: SHIRLEY.XIAO	SCALE 1:1	REV: A
	DATE: 2011-04-01			SHEET 1 OF 1




REVISION HISTORY				
REV	DESCRIPTION	DATE	REVISED	APPROVED
A	DRAWING RELEASED	2006-06-20	J.HONRADO	J.CRUIZ
B	CHANGED ITEM	2011-07-01	N.CARDINAL	SHIRLEY.XIAO



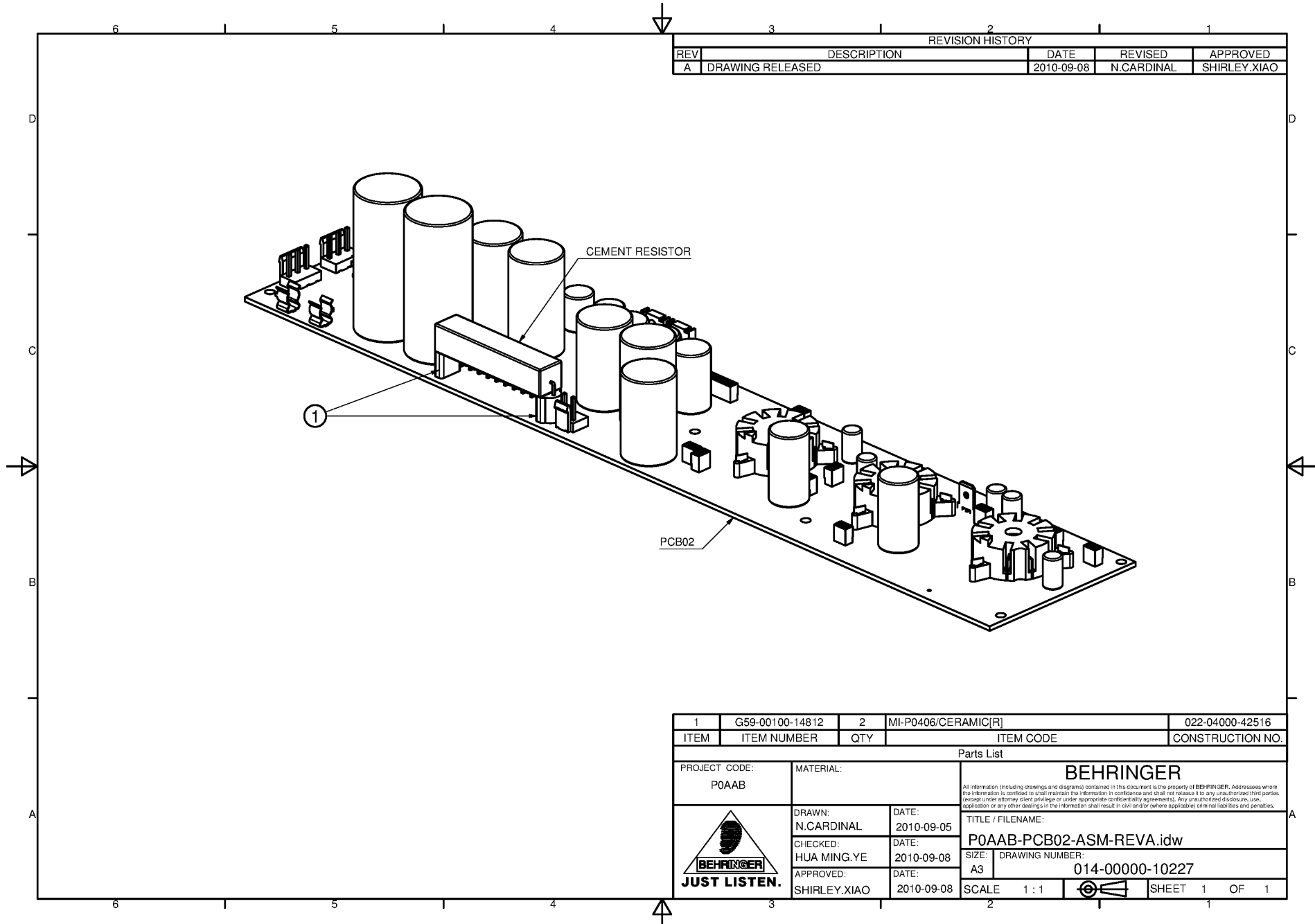
1	G58-00200-11129	4	PLA-LEDSPACER8[R]	022-02000-01957
ITEM	ITEM NUMBER	QTY	ITEM CODE	CONSTRUCTION NO.

MECHANICAL PARTS LIST

All information (including drawings and diagrams) contained in this document is the property of MUSIC GROUP LTD. Addressees whom the information is confided to shall maintain the information in confidence and shall not release it to any unauthorized third parties (except under attorney client privilege or under appropriate confidentiality agreements). Any unauthorized disclosure, use, application or any other dealings in the information shall result in civil and/or (where applicable) criminal liabilities and penalties.

 MUSIC GROUP	PROJECT: P0A50	DRAWN: N.CARDINAL	DESCRIPTION: P0A50-PCB-ASM	
	MATERIAL: N/A	CHECKED: HUA MING.YE	APPROVED: SHIRLEY.XIAO	SIZE: A4
	FINISH: N/A	DATE: 2011-07-01	DRAWING NUMBER: 014-00023-90701	REV: B
	SCALE 1 : 1		SHEET 1 OF 1	



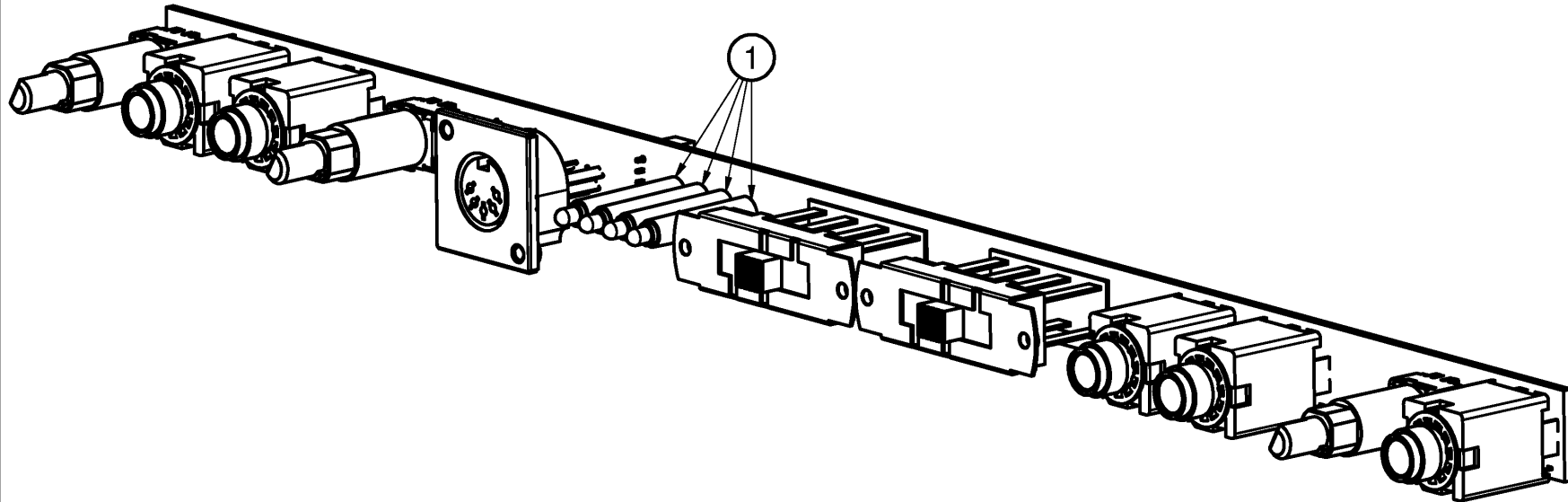


REVISION HISTORY				
REV	DESCRIPTION	DATE	REVISED	APPROVED
A	DRAWING RELEASED	2010-09-08	N.CARDINAL	SHIRLEY.XIAO

1	G59-00100-14812	2	MI-P0406/CERAMIC[R]	022-04000-42516
ITEM	ITEM NUMBER	QTY	ITEM CODE	CONSTRUCTION NO.
Parts List				
PROJECT CODE: POAAB		MATERIAL:		<p style="text-align: center;">BEHRINGER</p> <small>All information (including drawings and diagrams) contained in this document is the property of BEHRINGER. Addressees whom the information is confined to shall maintain the information in confidence and shall not release it to any unauthorized third parties, except under attorney client privilege or under appropriate confidentiality agreements. Any unauthorized disclosure, use, application or any other dealings in the information shall result in civil and/or where applicable criminal liabilities and penalties.</small>
	DRAWN: N.CARDINAL	DATE: 2010-09-05	TITLE / FILENAME: POAAB-PCB02-ASM-REVA.idw	
	CHECKED: HUA MING.YE	DATE: 2010-09-08	SIZE: DRAWING NUMBER: A3 014-00000-10227	
	APPROVED: SHIRLEY.XIAO	DATE: 2010-09-08	SCALE 1 : 1 SHEET 1 OF 1	





REVISION HISTORY				
REV	DESCRIPTION	DATE	REVISED	APPROVED
A	DRAWING RELEASED	2010-11-30	N.CARDINAL	SHIRLEY.XIAO



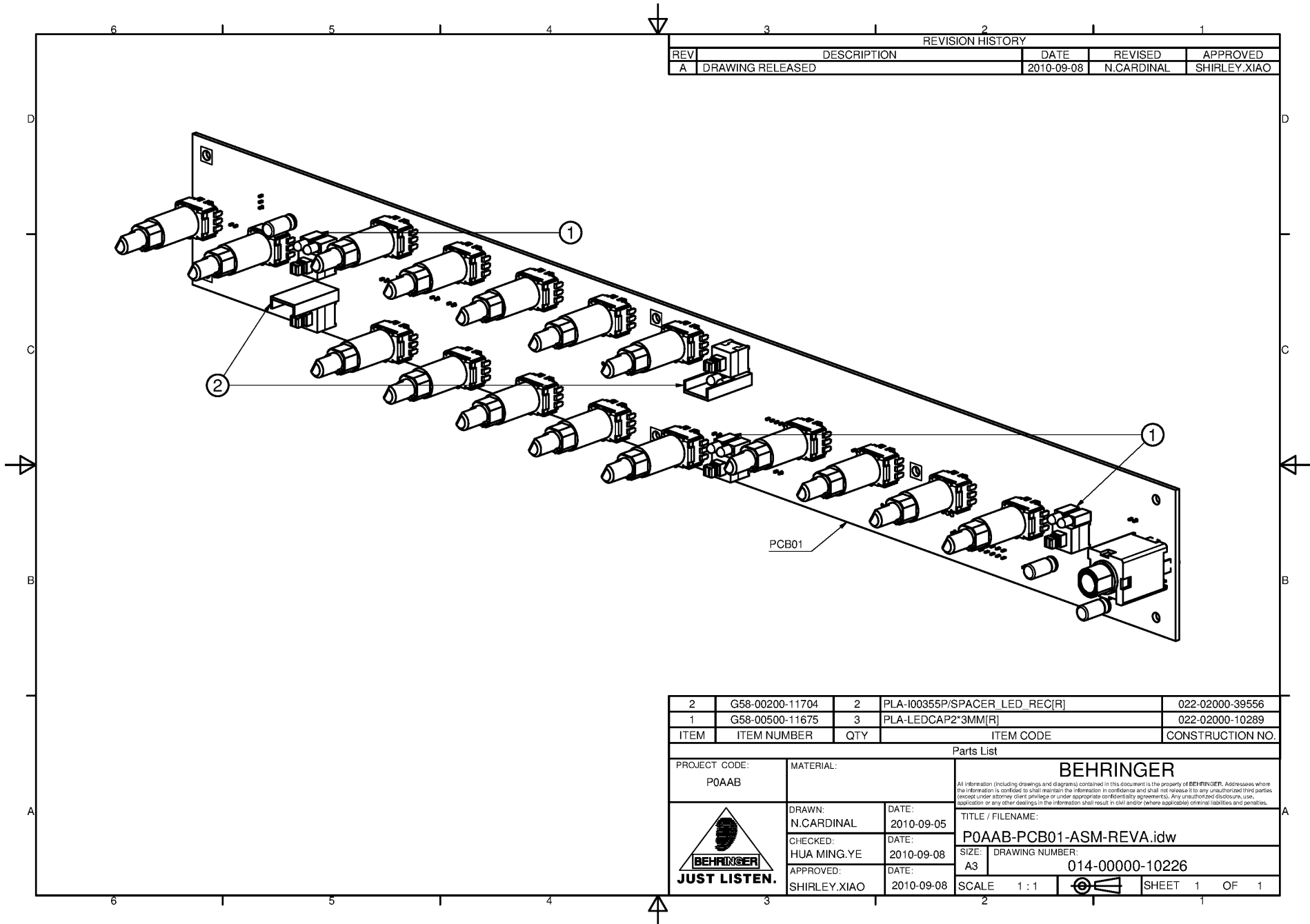
1	G58-00100-12110	4	PLA-P0739/LED_SPACER[R]	022-02000-40556
ITEM	ITEM NUMBER	QTY	ITEM CODE	CONSTRUCTION NO.

MECHANICAL PARTS LIST

All information (including drawings and diagrams) contained in this document is the property of MUSIC GROUP LTD. Addresseees whom the information is confided to shall maintain the information in confidence and shall not release it to any unauthorized third parties (except under attorney client privilege or under appropriate confidentiality agreements). Any unauthorized disclosure, use, application or any other dealings in the information shall result in civil and/or (where applicable) criminal liabilities and penalties.

 MUSIC GROUP	PROJECT: P0AAB	DRAWN: N.CARDINAL	DESCRIPTION: P0AAB-PCB04-ASM	
	MATERIAL: N/A	CHECKED: HUA MING.YE	SIZE: A4	DRAWING NUMBER: 014-00000-26405
	FINISH: N/A	APPROVED: SHIRLEY.XIAO	REV: A	
	DATE: 2010-11-30	SCALE 1 : 1		SHEET 1 OF 1

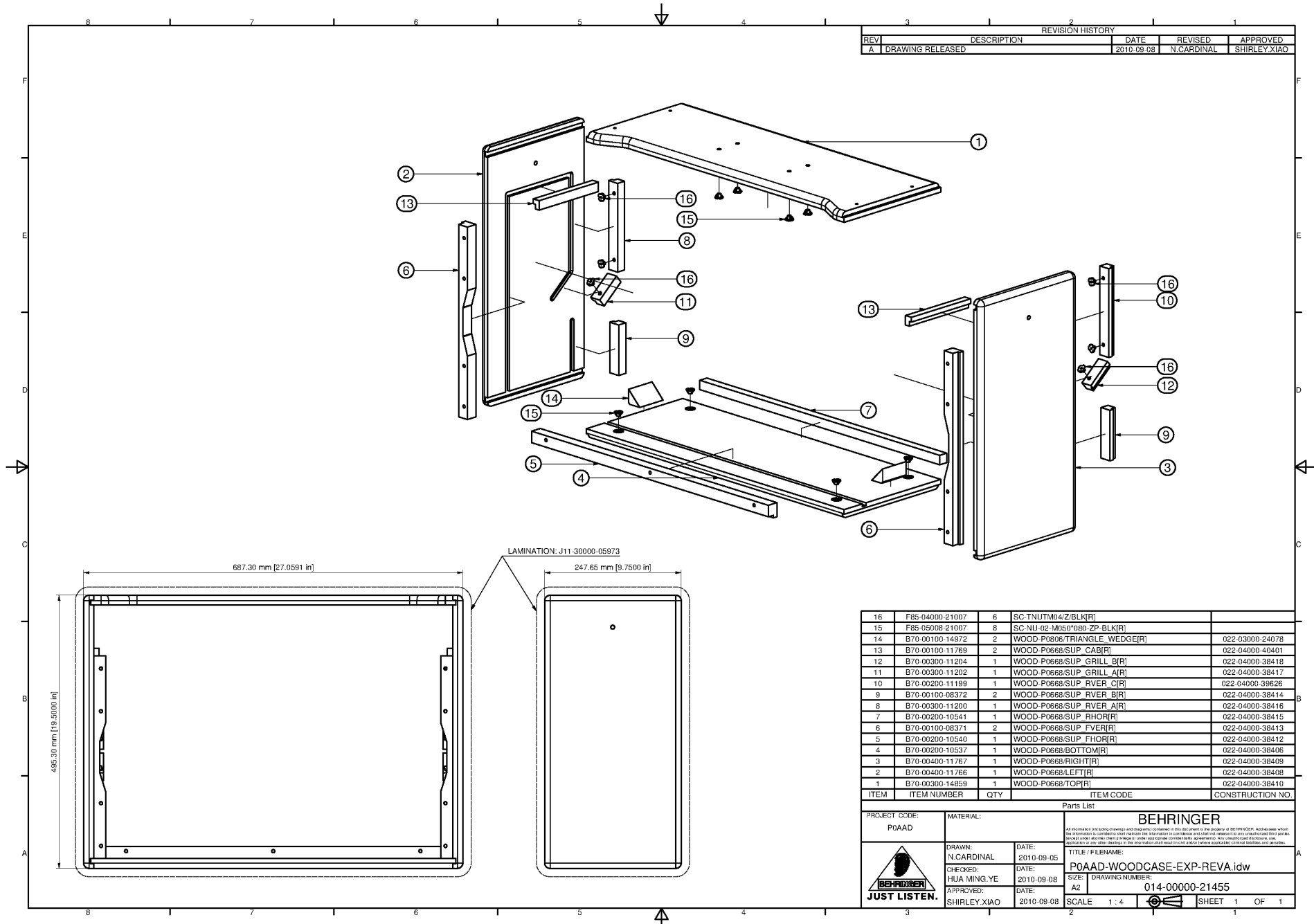




REVISION HISTORY				
REV	DESCRIPTION	DATE	REVISED	APPROVED
A	DRAWING RELEASED	2010-09-08	N.CARDINAL	SHIRLEY.XIAO

2	G58-00200-11704	2	PLA-I00355P/SPACER_LED_REC[R]	022-02000-39556
1	G58-00500-11675	3	PLA-LED CAP2*3MM[R]	022-02000-10289
ITEM	ITEM NUMBER	QTY	ITEM CODE	CONSTRUCTION NO.

Parts List				
PROJECT CODE: POAAB		MATERIAL:		BEHRINGER <small>All information (including drawings and diagrams) contained in this document is the property of BEHRINGER. Addressee whom the information is confined to shall maintain the information in confidence and shall not release it to any unauthorized third parties, except under attorney client privilege or under appropriate confidentiality agreements. Any unauthorized disclosure, use, duplication or any other dealings in the information shall result in civil and/or where applicable criminal liabilities and penalties.</small>
	DRAWN: N.CARDINAL	DATE: 2010-09-05	TITLE / FILENAME: POAAB-PCB01-ASM-REVA.idw	
	CHECKED: HUA MING.YE	DATE: 2010-09-08	SIZE: DRAWING NUMBER: A3 014-00000-10226	
	APPROVED: SHIRLEY.XIAO	DATE: 2010-09-08	SCALE 1 : 1	SHEET 1 OF 1



REVISION HISTORY		DATE	REVISED	APPROVED
REV	DESCRIPTION			
A	DRAWING RELEASED	2010-09-08	N.CARDINAL	SHIRLEY.XIAO

ITEM	ITEM NUMBER	QTY	ITEM CODE	CONSTRUCTION NO.
16	F85-04000-21007	6	SC-TNUTM04Z/BLK[R]	
15	F85-05008-21007	8	SC-NU-02-M050*080-ZP-BLK[R]	
14	B70-00100-14972	2	WOOD-P0668/TRIANGLE_WEDGE[R]	022-03000-24078
13	B70-00100-11769	2	WOOD-P0668/SUP_CAB[R]	022-04000-40401
12	B70-00300-11204	1	WOOD-P0668/SUP_GRILL_B[R]	022-04000-38418
11	B70-00300-11202	1	WOOD-P0668/SUP_GRILL_A[R]	022-04000-38417
10	B70-00200-11199	1	WOOD-P0668/SUP_RVER_C[R]	022-04000-38626
9	B70-00100-08372	2	WOOD-P0668/SUP_RVER_B[R]	022-04000-38414
8	B70-00300-11200	1	WOOD-P0668/SUP_RVER_A[R]	022-04000-38416
7	B70-00200-10541	1	WOOD-P0668/SUP_RHOR[R]	022-04000-38415
6	B70-00100-08371	2	WOOD-P0668/SUP_FVER[R]	022-04000-38413
5	B70-00200-10540	1	WOOD-P0668/SUP_FHOR[R]	022-04000-38412
4	B70-00200-10537	1	WOOD-P0668/BOTTOM[R]	022-04000-38406
3	B70-00400-11767	1	WOOD-P0668/RIGHT[R]	022-04000-38409
2	B70-00400-11766	1	WOOD-P0668/LEFT[R]	022-04000-38408
1	B70-00300-14859	1	WOOD-P0668/TOP[R]	022-04000-38410

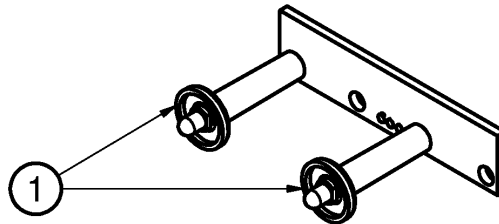
Parts List

PROJECT CODE: POAAD	MATERIAL:	BEHRINGER	
DRAWN: N.CARDINAL DATE: 2010-09-05 CHECKED: HUA MING.YE DATE: 2010-09-08 APPROVED: SHIRLEY.XIAO DATE: 2010-09-08		TITLE / FILENAME: POAAD-WOODCASE-EXP-REVA.idw SIZE: A2 DRAWING NUMBER: 014-00000-21455	
		SCALE: 1:4	SHEET 1 OF 1

All information (including drawings and designs) contained in this document is the property of BEHRINGER. Acknowledge when the information is used to maintain the information in confidence and not to release it to any unauthorized third parties. Should you have any questions, please contact your account manager. All rights reserved. For the information of our customers, please refer to the terms and conditions of our standard terms and conditions.




REVISION HISTORY				
REV	DESCRIPTION	DATE	REVISED	APPROVED
A	DRAWING RELEASED	2010-11-30	N.CARDINAL	SHIRLEY.XIAO



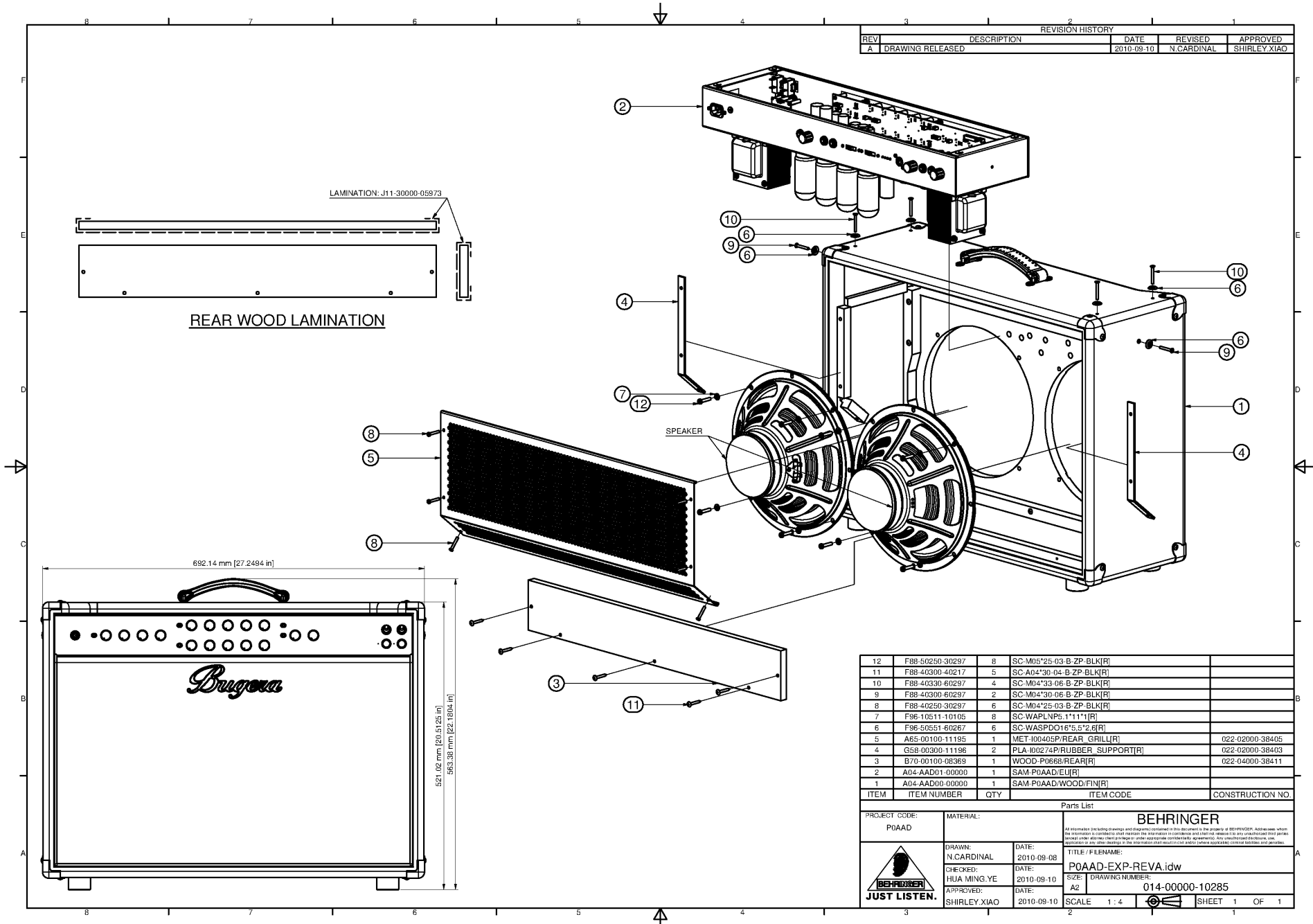
1	G58-00100-12649	2	PLA-I00454P/SPACER_LED[R]	022-02000-40884
ITEM	ITEM NUMBER	QTY	ITEM CODE	CONSTRUCTION NO.

MECHANICAL PARTS LIST

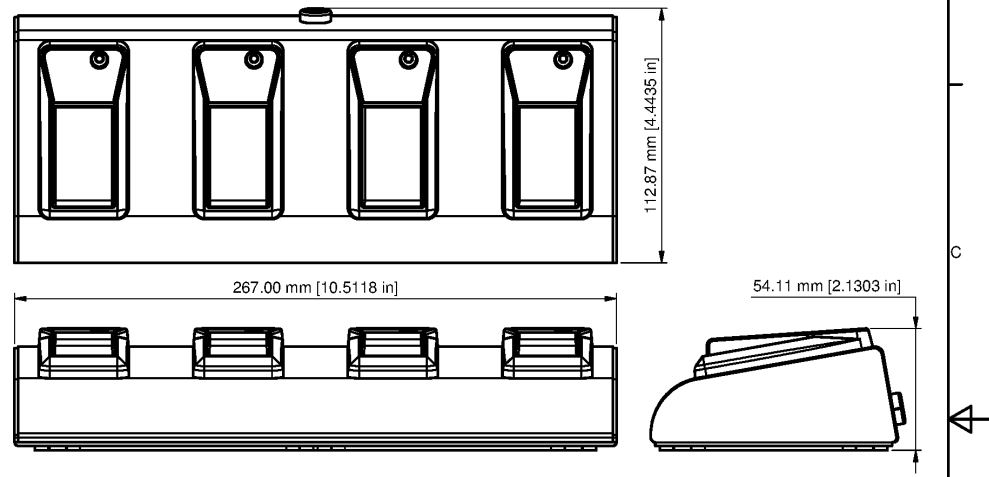
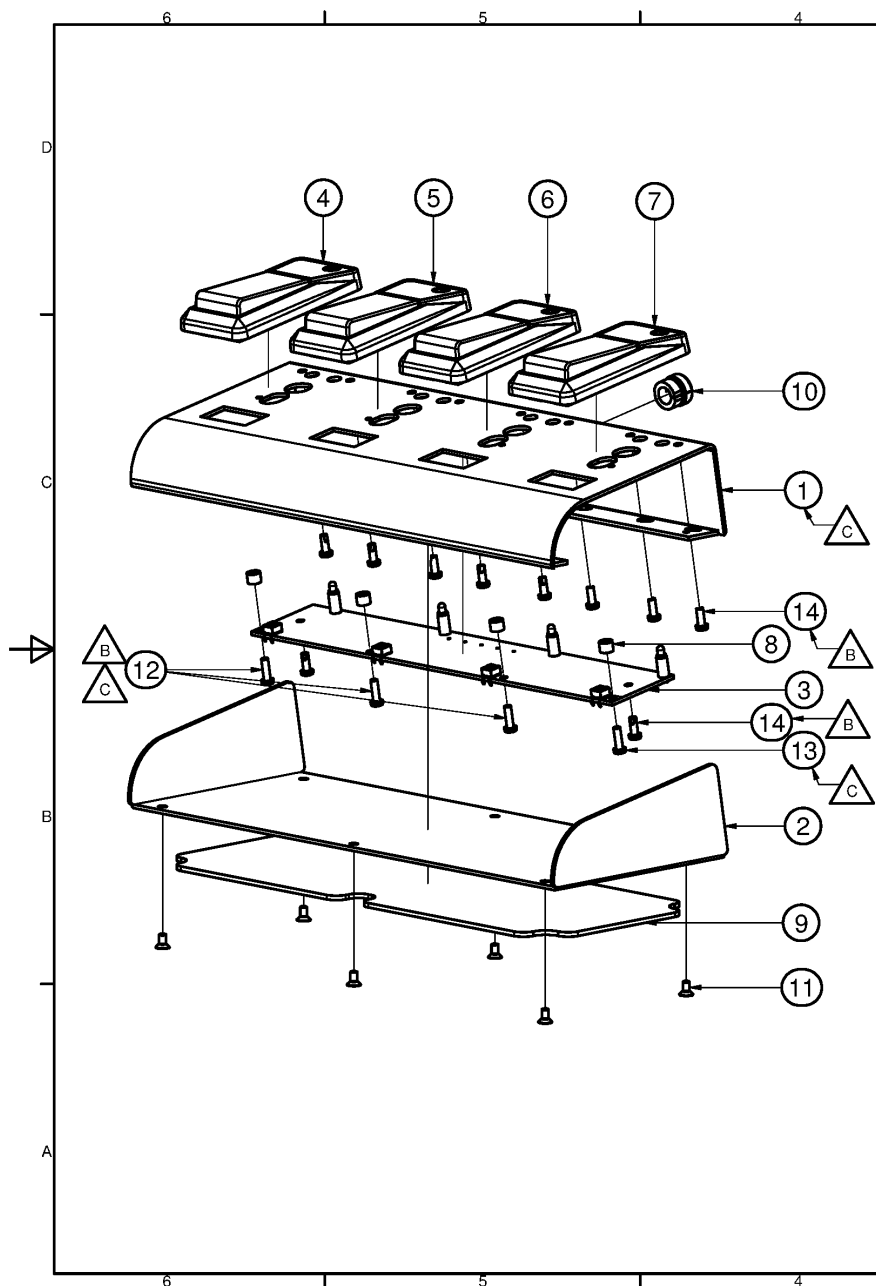
All information (including drawings and diagrams) contained in this document is the property of MUSIC GROUP LTD. Addressees whom the information is confided to shall maintain the information in confidence and shall not release it to any unauthorized third parties (except under attorney client privilege or under appropriate confidentiality agreements). Any unauthorized disclosure, use, application or any other dealings in the information shall result in civil and/or (where applicable) criminal liabilities and penalties.

 MUSIC GROUP	PROJECT: P0AAB	DRAWN: N.CARDINAL	DESCRIPTION: P0AAB-PCB_LED-ASM	
	MATERIAL: N/A	CHECKED: HUA MING.YE	APPROVED: SHIRLEY.XIAO	REV: A
	FINISH: N/A	DATE: 2010-11-30	SIZE: A4	DRAWING NUMBER: 014-00000-26410
	SCALE 1 : 1		SHEET 1 OF 1	





REV	DESCRIPTION	DATE	REVISED	APPROVED
A	DRAWING RELEASED	2006-06-20	J.HONRADO	J.CRUZ
B	DELETED COMPONENT AND CHANGED QUANTITY	2006-08-23	R.AGOHO	R.AGOHO
C	UPDATE DRAWING	2011-07-01	N.CARDINAL	SHIRLEY.XIAO



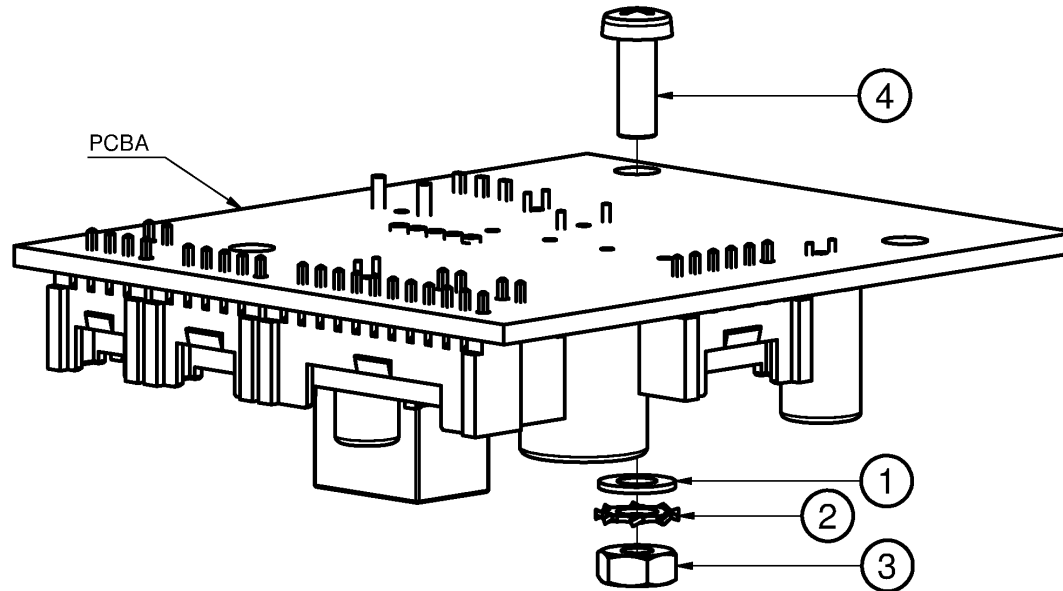
ITEM	ITEM NUMBER	QTY	ITEM CODE	CONSTRUCTION NO.
14	F88-30080-30247	10	SC-BT03*08-03-B-ZP-BLK[R]	
13	F88-30100-30291	1	SC-M03*10-03-B-ZP-SLV[R]	
12	F88-30100-30297	3	SC-M03*10-03-B-ZP-BLK[R]	
11	F88-30060-50277	6	SC-M03*06*50-05-B-ZP-BLK[R]	
10	F98-01400-04141	1	MI-CABLEBUSHINGFS112[R]	022-02000-00589
9	F97-17000-15555	1	MI-FOAMFOOTSWFS114[R]	022-02000-21552
8	A65-15000-04134	4	MET-SPACER04MM4M3.5HOLE[R]	022-01000-00491
7	A04-00000-01366	1	SAM-FSB104/PEDAL/FX LOOP/04[R]	
6	A04-00000-01363	1	SAM-FSB104/PEDAL/LEAD/03[R]	
5	A04-00000-01361	1	SAM-FSB104/PEDAL/CRUNCH/02[R]	
4	A04-00000-01360	1	SAM-FSB104/PEDAL/CLEAN/01[R]	
3	A05-00000-XXXXX	1	PCBA-FSB104/BUGERA/X/H[R]	
2	A62-00200-08705	1	MET-FSB104/BOTTOM_COVER/BLACK[R]	022-01000-00421
1	J02-00000-08617	1	MET-P0A50/TOP_COVER[R]	022-02000-38530

MECHANICAL PARTS LIST

All information (including drawings and diagrams) contained in this document is the property of MUSIC GROUP LTD. Addresses where the information is confined to shall maintain the information in confidence and shall not release it to any unauthorized third parties (except) under attorney client privilege or under appropriate confidentiality agreements. Any unauthorized disclosure, use, application or any other dealings in the information shall result in civil and/or (where applicable) criminal liabilities and penalties.

	PROJECT:	POA50	DRAWN:	N.CARDINAL	DESCRIPTION:	P0A50-EXP	
	MATERIAL:	N/A	CHECKED:	HUA MING.YE	SIZE:	DRAWING NUMBER:	REV:
	FINISH:	N/A	APPROVED:	SHIRLEY.XIAO	A3	014-00014-13203	C
	DATE:	N/A	DATE:	2011-07-01	SCALE 1:2	SHEET 1 OF 1	



REVISION HISTORY				
REV	DESCRIPTION	DATE	REVISED	APPROVED
A	DRAWING RELEASED	2011-03-07	N.CARDINAL	SHIRLEY.XIAO



4	F88-30080-30291	1	SC-M03*08-03-B-ZP-SLV[R]	
3	F85-03000-44001	1	SC-NUHEXM03[R]	
2	F96-40300-60053	1	SC-WA-03-030*060*005-CR3-SLV[R]	
1	F96-10300-60050	1	SC-WAPL3*6*0.5[R]	
ITEM	ITEM NUMBER	QTY	ITEM CODE	CONSTRUCTION NO.

MECHANICAL PARTS LIST

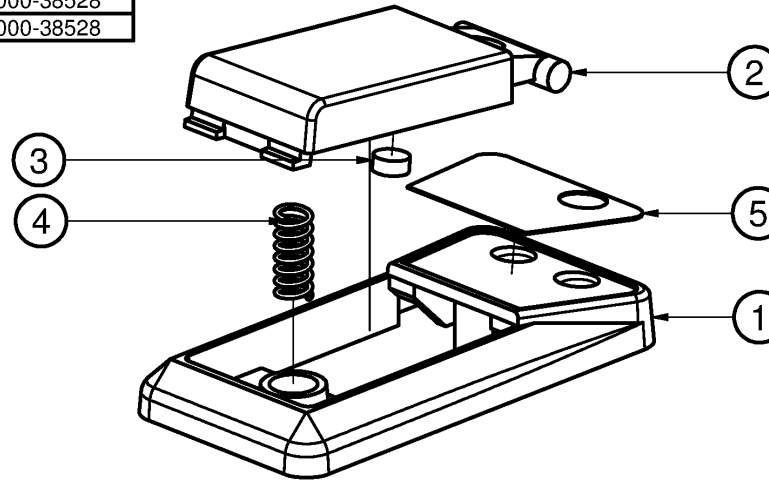
All information (including drawings and diagrams) contained in this document is the property of MUSIC GROUP LTD. Addressees whom the information is confided to shall maintain the information in confidence and shall not release it to any unauthorized third parties (except under attorney client privilege or under appropriate confidentiality agreements). Any unauthorized disclosure, use, application or any other dealings in the information shall result in civil and/or (where applicable) criminal liabilities and penalties.

 MUSIC GROUP	PROJECT: P0AAB	DRAWN: N.CARDINAL	DESCRIPTION: P0AAB-PCB_TUBECTL2-EXP	
	MATERIAL: N/A	CHECKED: HUA MING.YE	SIZE: A4	DRAWING NUMBER: 014-00000-31809
	FINISH: N/A	APPROVED: SHIRLEY.XIAO	REV: A	
	DATE: 2011-03-07	SCALE 2 : 1		SHEET 1 OF 1



REVISION HISTORY				
REV	DESCRIPTION	DATE	REVISED	APPROVED
A	DRAWING RELEASED	2011-07-01	N.CARDINAL	SHIRLEY.XIAO


TABLE			
MODULE NUMBER	ITEM NUMBER	QTY	CONSTRUCTION NO.
A04-00000-01360	I20-00000-08613	1	022-02000-38528
A04-00000-01361	I20-00000-08614	1	022-02000-38528
A04-00000-01363	I20-00000-08615	1	022-02000-38528
A04-00000-01366	I20-00000-08616	1	022-02000-38528



5	SEE TABLE	1	SEE TABLE FOR THE LABEL USED PER MODULE	SEE TABLE
4	F93-11000-04288	1	SC-SPRING6*14.8[R]	022-01000-15518
3	F87-01000-12070	1	MI-RUBBERPAD6X2,5MM[R]	022-02000-00560
2	G52-80500-09382	1	PLA-SWKNOBFOOT1[R]	022-02000-14788
1	G58-53000-25624	1	PLA-SWITCHBASEFOOT1[R]	022-02000-14971
ITEM	ITEM NUMBER	QTY	ITEM CODE	CONSTRUCTION NO.

MECHANICAL PARTS LIST

All information (including drawings and diagrams) contained in this document is the property of MUSIC GROUP LTD. Addressees whom the information is confided to shall maintain the information in confidence and shall not release it to any unauthorized third parties (except under attorney client privilege or under appropriate confidentiality agreements). Any unauthorized disclosure, use, application or any other dealings in the information shall result in civil and/or (where applicable) criminal liabilities and penalties.

 MUSIC GROUP	PROJECT: P0A50	DRAWN: N.CARDINAL	DESCRIPTION: P0A50-PEDAL-EXP	
	MATERIAL: N/A	CHECKED: HUA MING.YE	SIZE: A4	DRAWING NUMBER: 014-00033-90701
	FINISH: N/A	APPROVED: SHIRLEY.XIAO	REV: A	
		DATE: 2011-07-01	SCALE 1 : 1	SHEET 1 OF 1



Bugera