



**The Audi TT and TTS Coupé
and Roadster range**

Pricing and Specification Guide
Valid from January 2016

Personalising your Audi TT

This guide has been designed to help you tailor and price your Audi TT quickly and logically. At the back, you will find information on CO2 emissions-based taxation and services offered with your Audi, including Finance and Insurance. You can also configure your Audi TT online at audi.co.uk



Get more from this brochure with the free Audi Vision app.

Audi Vision brings our brochures to life through Augmented Reality. It works by recognising images on a page through your device's camera. Suitable for compatible phones or tablets, download it for free from the App Store or Google Play. Once downloaded, simply open the app and scan the cover of your guide. Then look out for any page with the Audi Vision logo, you can then hold your device over the page and watch as you get exclusive access to extra images, information and video content.



The images featured in this guide are for illustrative purposes only. They may feature left-hand drive vehicles and include equipment that is not UK specification.

The Audi TT

Audi Matrix LED lights	16
quattro	20
Audi Virtual Cockpit	26
Audi Connect	28
Technology	30

Model details and prices

Sport model equipment	32
S line model equipment	34
TTS quattro model equipment	36
Model prices	38

Colour and upholstery

Paint	40
Hood colours	44
Upholstery	46
Colour and trim guide	54

Interior styling

Options

Wheels, tyres and suspension	64
Packages	68
Audio and communication	72
Interior equipment	73
Exterior equipment	74
Safety and security	76

Looking after your Audi

Audi Complete and warranty	78
Accessories	82
Merchandise	83
Audi Difference	84

Technical details

Technical data and dimensions	86
Pricing and Additional information	94





Vorsprung durch Technik

Three words that express the very essence of Audi – Vorsprung durch Technik. It's not just a slogan, it's our way of seeing the world and the driving force behind our history of innovation that continues into the 21st century. Indeed, many technologies that have become synonymous with Audi remain in our cars today. Some are milestones in the history of the motorcar. From our beginnings in 1899, to the Auto Union team's Grand Prix successes in the 1930s and our more recent wins at Le Mans, we have always been at the forefront of the motor industry.

Vorsprung durch Technik makes us who we are. To see more of its influence, just read on.

The Audi TT. The history of an icon.

When revolutionary design meets advanced technology, legends are born.

Indeed, when the Audi TT concept car was first unveiled to the public in 1995, it met with immediate and huge acclaim.

Few production cars resembled their concept quite as closely as this one. And when the Audi TT first went on sale in 1998, it quickly became one of the most popular sports cars in its class.

In 2006, another milestone. The second-generation TT launched. With Audi Space Frame technology, it was 90kg lighter than the first generation model – translating into an improved drive that garnered award after award.

Now we've reached the next chapter: the third-generation TT. Unique, distinctive, unmistakably Audi: it continues to define the notion of what a sports car should be.



Three generations of design







The Audi TT. Redesigned, re-engineered, reborn.

The curves, contours and proportions are familiar from the previous generations, but the design is sharper, the engines are more powerful and the handling is more responsive.

Welcome to the third-generation Audi TT. The latest iteration combines advanced Audi technology with a striking evolution of an iconic design.

The changes begin with a wider, more imposing stance. At the front, a broad, single-framed grille flanked by dramatic, angular headlights. And at the rear, a hidden central brake light underneath a concealed spoiler that rises automatically at speeds above 74mph.*

Inside, a redesigned cabin, featuring the Audi Virtual Cockpit showing all driver information on a high-resolution LCD display.

Under the bonnet, an improved 2.0 TFSI petrol engine. With output increased from 211PS to 230PS, acceleration is even quicker, from 0-62mph in 5.3 seconds.

The Audi TT. The icon is reborn.

TT Coupé

From the outside, the TT Coupé has all the iconic style of its predecessors. The classic shape has been streamlined but its silhouette remains as recognisable as ever.

Step inside the latest incarnation of the TT Coupé however, and you'll find a completely redesigned interior. Air conditioning controls have a clever design and are integrated into the air vents. And with innovations like the Audi Virtual Cockpit that puts all of the car's controls at your fingertips, the TT Coupé puts you firmly in the driving seat.









TT Roadster

The TT Roadster maintains all the distinctive hallmarks that make it instantly recognisable. A fully-automatic fabric hood. Aluminium-look rollbars. And the unmistakable TT silhouette.

But under the bonnet, things have changed.

Our award-winning 2.0-litre TFSI engine has been enhanced yet further to generate more power and torque. And despite the advances in performance, it uses less fuel than its predecessor. Which is one improvement you'll appreciate from the very first drive.

TTS

A beauty and a beast.

The S badge on an Audi model signifies something special. And the TTS is something very special. Combining impressive performance with marque-defining styling, the third-generation TTS is both beautiful and powerful. Power has been increased by 38PS so the 2.0-litre TFSI four-cylinder, variable valve engine now puts 310PS through either a 6-speed manual or S tronic transmission to power the quattro all-wheel-drive. We've also enhanced the way power is delivered to the wheels. It means that the TTS Coupé now accelerates from 0-62mph in 4.6 seconds,* while the TTS Roadster achieves the same in 4.9 seconds.* Whichever car you choose, they're both capable of going on to an electronically limited top speed of 155mph.**

Highly distinctive bumpers and rear diffuser. Chrome-plated quad exhaust tailpipes. 19" 5-arm alloy wheels with black painted calipers. They all make a powerful impression. Inside, the TTS also delights. Front Super Sport seats look and act the part, while the TTS specific Audi Virtual Cockpit displays the superb performance of the TTS in a wide 12.3" fully digital display.









Matrix LED lights

Illuminating features.

Far from just making a dramatic statement, optional Matrix LED headlights available on the Audi TT incorporate technology that adapts automatically to the car's surroundings.

Sensors and an inbuilt camera allow Matrix LED headlights to detect rear and oncoming lights of other road users, as well as ambient light in built-up areas. The technology then reacts by dipping individual LEDs to prevent dazzle, while still illuminating the remainder of the road.

Using the vehicle's optional navigation data, Matrix LED technology can even anticipate corners, adjusting LEDs as you negotiate the bend. The result is a much wider visual range, benefitting both you and other road users. And with dynamic, sweeping LED indicators at both front and rear, the striking look is complete.









quattro

Driving confidence, whatever the weather.

Loose gravel. Icy patches. A tight bend in the rain. Conditions on the road are always changing so quattro* changes too.

When coupled with Dynamic mode in Audi Drive Select, the system that enables you to adjust the performance characteristics of your car, more torque is now distributed to the rear axle in a fraction of a second for more agility on sportier drives. While in Efficiency, Comfort, Auto and Individual modes, the ideal amount of power is distributed to each wheel to maintain the TT's perfectly balanced handling according to driving conditions and your preference.

It's made for the most challenging conditions of all – the ones you encounter every day. Whatever the road holds, you can be confident that quattro will react.

*quattro is an option available in conjunction with 2.0 TFSI engine on TT Coupé and Roadster models and standard on TTS models.









Inner beauty.

Using our latest innovations and meticulous attention to detail, our designers created a sleek, uncluttered cabin.

It's partly thanks to the Audi Virtual Cockpit, which shows all the information you need directly behind the steering wheel, on a single dynamic display. The result is a cleaner and crisper instrument panel.

With a stroke of inspiration, the air conditioning controls and optional digital displays are housed within the iconic round air vents.

Standard Sport seats in Alcantara/leather with integrated headrests complete the cabin's look: sharp, minimalist, sporty.

Audi Virtual Cockpit

Visible innovation.

The Audi Virtual Cockpit, first featured in the Audi TT, sets new standards.

Located directly behind the steering wheel, a 1440 x 540 pixel, 12.3" digital screen shows all information directly in front of the driver. Operated via the MMI Touch button, voice control and the multi-function steering wheel, the display can be switched between 'classic', with prominent speedometer and rev counter,

or 'infotainment', which brings functions such as the navigation map or media to the fore. And in the TTS there is a unique screen showcasing a rev counter in the centre of the virtual cockpit.

With high-quality graphics, a 3D impression and highly detailed effects, the Audi Virtual Cockpit is the embodiment of the TT's technological innovation.





Switch views at the touch of a button

Drivers can choose their preferred view but switch easily as required, simply by pressing the 'view' button on the multi-function steering wheel.



Ultimate driver control

The Audi Virtual Cockpit can be controlled using the multi-function steering wheel, voice-control or MMI Touch – the touch-sensitive panel on the rotary/push-button in the centre console which enables you to enter letters and digits with your fingers – allowing for intuitive operation without taking your eyes off the road.

Audi Connect

Stay networked on the move.

Being inside your car shouldn't mean losing touch with the outside world. That's why, with the optional Audi Connect, the TT creates a link between you and the Internet.

With 4G Internet access in your car,* you can go online to access information, entertainment and Google Earth™ navigation maps by scrolling, tapping or speaking your commands. Audi Connect can even find you the cheapest fuel price in your area. And, with a wireless hotspot within the car, passengers can connect their mobile devices – to browse the Internet, download emails, or access social media.

With Audi Connect, the world stays at your fingertips.

*Please note that an external data source is required to enable Audi Connect online services. Terms and conditions apply to certain Audi Connect functions. Please see page 95 for additional information. *Only available with compatible mobile phones and software versions, please see audi.co.uk/phonecompatibility



Wi-Fi hotspot

Connects your mobile devices to the Internet



Email

Your emails can be transmitted to your Audi MMI and read out conveniently*



Online media streaming

Pairing a smartphone with the Audi Music stream app offers access to worldwide radio stations and music stored on the smartphone



Twitter

Enables you to tweet and receive updates on the move, with text-to-speech and other convenient text functions



Weather information

Gives you forecasts and maps for your chosen destination



Map update

The map version delivered can be updated free of charge with the first 5 navigation updates which are issued at intervals of 6 months



Access smartphone voice control

Such as Siri (iPhone 4S and higher). By pressing and holding the voice control button on the multi-function leather steering wheel you can access the voice control function of the Bluetooth-connected smartphone directly, even while driving



News online (individual)

Text and images from your favourite news sources with text-to-speech function



City events

Up-to-date information about events happening at your destination



Points-of-interest

Search Google™ using voice control



Traffic information online

Complements the dynamic route guidance with real-time traffic flow information for individual stretches of road



myAudi – special destinations

Import individual point-of-interest (POI) lists to your Satellite Navigation system via the myAudi portal



Train information

Find departure and arrival times and platform information while you're on the road (also available for other types of public transport such as underground systems)



Country-specific information

The legal regulations for a specific country, such as speed limits or whether it is compulsory to carry a high-visibility vest or display a motorway toll sticker, are displayed when crossing a border



Fuel prices

Information on filling stations with the cheapest prices in your selected search area



Parking information

Helps you find car parks nearby and, where available, information on prices and currently vacant spaces



Flight information

Get information about departure and arrival times as well as the corresponding gates and search directly for flight numbers



Navigate with Google Earth™ and Google Street View™

Uses high-resolution aerial and satellite images as well as photos to guide you to your destination

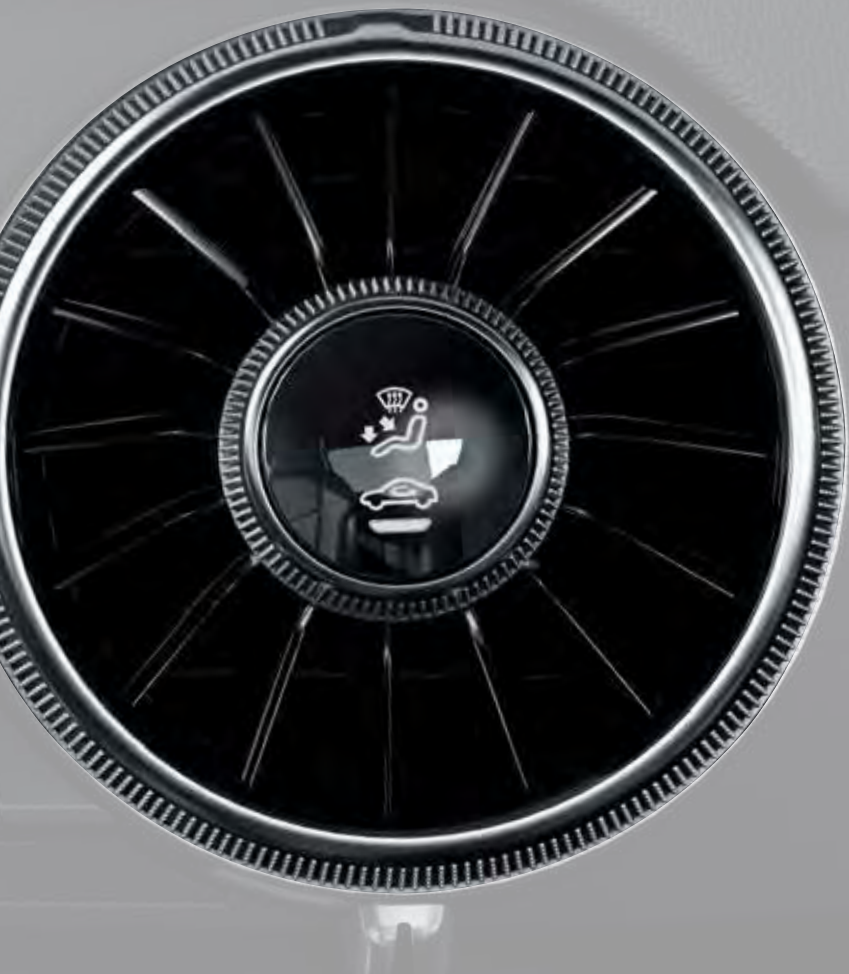


Destination entry via myAudi or Google Maps™

If required, navigation destinations can be conveniently planned on your PC or smartphone. myAudi and Google Maps™ allow individual navigation destinations to be sent to the vehicle. When you start your journey, these can be easily loaded as your destination

Technology





We're always improving our technology to enhance the way it feels to drive our cars. So in the Audi TT, you can take advantage of our optional climate control, navigation and sound systems – all designed to fit seamlessly into the new, redesigned interior.

Climate control

With an aviation inspired, turbine-like look, the round air vents exemplify the TT's interior design. The optional deluxe climate control (available also as part of the Comfort and Sound package) adds distinctive digital displays that are integrated within the air vents. Electronic regulation of the air temperature is also a feature and if optional seat heating is selected the controls for this can be found in the drivers and passengers side air vents.



MMI Navigation Plus

With optional MMI Navigation Plus, the navigation system is integrated into the stunning 12.3" Audi Virtual Cockpit to offer a 3D map display. It enables you to set your destination by simply writing characters on the touchpad or by saying a town or street name, so you don't need to divert your eyes from the road.

MMI Navigation Plus is available as part of the Technology Package with Audi Connect.



Bang & Olufsen sound system

With a 680 watt, 14-channel amplifier and 12 optimally placed loudspeakers, the Audi TT's optional Bang & Olufsen system offers our most premium sound experience.

When combined with the Technology Package, this system delivers high-definition, 5.1 surround sound which, thanks to the standard active VNC (Vehicle Noise Control), reduces the impact of internal or external ambient noise.

But it's not just about listening pleasure: every visible part of the system is designed to integrate elegantly into the car's sleek cabin.

Sport model equipment

All TT Sport models have the following items of standard equipment

Wheels, tyres and suspension

18" x 8.5J '10-spoke' design alloy wheels with 245/40 R18 tyres

Audi Drive Select with 4 pre-configured modes – Auto, Comfort, Dynamic, Efficiency and an Individual mode, allowing the driver to electronically adjust the engine, transmission and steering. Modes can be selected via a button in the centre console or via the MMI system

Anti-theft wheel bolts

Tyre repair kit

Electromechanical parking brake

Progressive steering – Increases the vehicle's agility when cornering and reduces steering work when parking – can be configured via Audi Drive Select thanks to variable steering ratio

Start-Stop system with energy recuperation

Audio and communication

Audi Virtual Cockpit – 12.3" high resolution LCD display. The fully digital instrument cluster is customisable by the driver. All the functions and services are depicted using superb graphics with a 3D impression and detailed effects in brilliant clarity

Audi Music Interface – For the connection of portable media players via USB interface (including charging function)

MMI radio which includes:

- Single CD player and two SDXC memory card readers (MP3, WMA and ACC compatible)
- MMI control panel with MMI Touch – a touch sensitive control panel that enables the driver to enter letters and digits using their fingers
- TP memo, which automatically saves traffic news when driving
- FM and AM (MW) radio reception
- 4 front passive speakers

DAB digital radio

Bluetooth mobile telephone preparation – For hands-free mobile phone connectivity and Bluetooth audio streaming (depending on compatibility of mobile phone and software version, please visit audi.co.uk/phonecompatibility)

Seat belt microphone – integrated into the seat belt to improve voice quality while making a call using a Bluetooth bonded telephone (Roadster only)



18" x 8.5J '10-spoke' design alloy wheels



Audi Virtual Cockpit



Xenon headlight with LED daytime-running light

Exterior equipment

Fully automatic acoustic hood made out of insulated, three-layered fabric. Opens and closes in just 10 seconds up to road speeds of 31mph (Roadster only)

Xenon headlights with LED daytime-running lights with automatic headlight range control. Also includes LED rear lights, brake lights and rear indicators

Door mirrors – electrically adjustable and heated with built-in LED side indicators and painted in body colour

Retractable rear spoiler – deploys and retracts automatically at set speed or when the centre console button is pushed

Interior equipment

3-spoke flat-bottomed leather-trimmed multi-function Sport steering wheel – Includes speech dialogue system, adjustable in height and distance. With gear-shift paddles on S tronic models

Manual air conditioning with adjustable controls integrated directly in the air vents

Inlays in aluminium design

Aluminium door sill trims

Non-smoking package – Includes standard 12V socket

Seats

Front Sport seats with integrated head restraints with manual forwards, backwards and backrest angle adjustment (on driver's and front passenger's side)

Alcantara/leather upholstery

- Seat centre panels and door trim inserts in black Alcantara
- Seat side bolsters and head restraints in black leather

ISOFIX child seat mounting for front passenger seat (with airbag deactivation) and outer rear seats. Including Top Tether attachment point

Split-folding rear seat (Coupé only)

Safety and security

Roll-over bars – enhance safety for the driver and front passenger (Roadster only)

Front airbags with front passenger deactivation

Tool kit, warning triangle and car jack

Keyless go – allows engine to be started by simply pressing the start/stop button in the centre console

Anti theft Alarm

First aid kit

Tyre pressure loss indicator

Audi lane assist including windscreen sunband (2.0 TFSI and TTS only)



*Image shown also features aluminium foot rest. On UK models this will be black.

S line model equipment

In addition to Sport model equipment

Total RRP inc VAT*
£2,550.00

Wheels, tyres and suspension

19" x 9J '5-arm Star' design alloy wheels with 245/35 R19 tyres

Optional S line Sport suspension – lowered by 10mm. Must be ordered using code 18V at no additional charge

Exterior equipment

All-weather LED headlights. LED technology provides lower energy consumption than conventional headlights and enhanced contrast with a colour similar to daylight, for increased safety and good recognition by other road users. Includes all-weather light function to reduce the risk of the driver being dazzled when visibility is poor (in fog, rain or snow). Also includes Headlight cleaning system

LED tail lights including LED dynamic rear indicators

S line badges on the front wings

Radiator grille in high-gloss black

S line body styling comprising:

- S line front and rear bumpers
- S line side sills
- S line rear diffuser with platinum grey insert

Interior equipment

S line badge on the steering wheel

Extended aluminium look in the interior with pedals in stainless steel

Inlays in matt-brushed aluminium

Door sill trims with S line logo

Gear lever knob in black perforated leather

Black headlining

Seats

Black Alcantara/leather upholstery with 'S' embossing and contrasting silver stitching on the upholstery, steering wheel and gear knob gaiter

Electric 4-way lumbar support – for front seats

Safety and security

Light and rain sensors – Automatically switches the dipped beam headlights and windscreen wipers on/off depending on the light and rain conditions. Includes coming home/leaving home function which delays the deactivation of the front and rear lights after locking and automatic activation of the lights when unlocking. Also includes windscreen sunband



19" x 9J '5-arm Star' design alloy wheels



All-weather LED headlights



LED tail lights including LED dynamic rear indicators



Image shows TT S line models in optional Daytona grey, pearl effect paint (6Y) with optional 20" x 9J '10-Y-spoke' design alloy wheels (CE5) on the Coupé and 19" x 9J '5-spoke Blade' design wheels (C5H) on the Roadster

TTS quattro model equipment

In addition to Sport model equipment

Wheels, tyres and suspension

19" x 9J '5-parallel-spoke Star' design alloy wheels
245/35 R19 tyres

Audi magnetic ride with vehicle lowering:

- Audi magnetic ride continuously adapts the suspension damping to the changing driving situation
- It does this automatically and in just a fraction of a second by means of an electronically controlled magnetic field
- The body is 10mm lower than the Audi TT suspension, creating an even sportier driving feel

Audio and communication

Audi Sound System. Features:

- 9 speakers in total including centre speaker and two bass speakers in the doors
- 5-channel amplifier with a total output of 155 watts

Audi Virtual Cockpit with a TTS specific screen

Exterior equipment

All-weather LED headlights. LED technology provides lower energy consumption than conventional headlights and enhanced contrast with a colour similar to daylight, for increased safety and good recognition by other road users. Includes all-weather light function to reduce the risk of the driver being dazzled when visibility is poor (in fog, rain or snow). Also includes Headlight cleaning system

LED tail lights including LED dynamic rear indicators

'S' design body styling comprising:

- Audi Single frame grille in Platinum grey featuring horizontal double struts in aluminium-look as well as a TTS emblem
- TTS front bumper with accentuated side air inlets with horizontal aluminium-look slats and side sill trims
- TTS rear bumper incorporates a diffuser insert in Platinum grey with a surround in aluminium-look

Brake calipers painted black with TTS logo

Door sill trims with aluminium inlay and TTS logo

Interior equipment

Auto-dimming rear-view mirror

Coloured interior elements in quartz anthracite: on the side of seat, sides of the centre console and air vents

Foot pedals in stainless steel

Inlays in matt-brushed aluminium

Flat-bottomed TTS Sport 3-spoke contour leather multi-function steering wheel, with more heavily contoured steering wheel rim and TTS badging

Seats

Super Sport seats upholstered in Fine Nappa leather with S embossing

- Manual adjustment of the seat height, front and back position, seat angle and backrest angle
- Electric 4-way lumbar support

Heated front seats

Leather package – Armrests in the doors, door pull handles, trim on the centre console and instrument panel cover in black leather

Safety and security

Audi lane assist – helps the driver stay in lane by gentle steering intervention, particularly useful on motorways. Can be used between speeds of 37-155mph*

Light and rain sensors – Automatically switches the dipped beam headlights and windscreen wipers on/off depending on the light and rain conditions. Includes coming home/leaving home function which delays the deactivation of the front and rear lights after locking and automatic activation of the lights when unlocking. Also includes windscreen sunband



19" X 9J '5-parallel-spoke Star' design alloy wheels



Brake calipers painted in black with TTS logo



TTS rear bumper incorporates a diffuser insert in Platinum grey with a surround in aluminium look



Image shows TTS models in Tango red, metallic paint (Y1) with optional 20" x 9J '10-Y-spoke' design alloy wheels (CES) on the Coupé

TT Coupé Sport

Engines	Power	Transmissions	CO ₂ g/km*	Total RRP inc VAT [^]	Recommended OTR [†]
1.8 TFSI	180PS	6-speed manual	138	£26,335.00	£27,150.00
2.0 TFSI	230PS	6-speed manual	141	£29,385.00	£30,215.00
2.0 TFSI	230PS	6-speed S tronic	150	£30,865.00	£31,695.00
2.0 TFSI quattro	230PS	6-speed S tronic	153	£32,295.00	£33,160.00
2.0 TDI ultra	184PS	6-speed manual	116	£29,425.00	£30,110.00

TT Coupé S line

Engines	Power	Transmissions	CO ₂ g/km*	Total RRP inc VAT [^]	Recommended OTR [†]
1.8 TFSI	180PS	6-speed manual	138	£28,885.00	£29,700.00
2.0 TFSI	230PS	6-speed manual	141	£31,935.00	£32,765.00
2.0 TFSI	230PS	6-speed S tronic	150	£33,415.00	£34,245.00
2.0 TFSI quattro	230PS	6-speed S tronic	153	£34,845.00	£35,710.00
2.0 TDI ultra	184PS	6-speed manual	116	£31,975.00	£32,660.00

TTS Coupé

Engines	Power	Transmissions	CO ₂ g/km*	Total RRP inc VAT [^]	Recommended OTR [†]
TTS quattro	310PS	6-speed manual	168	£38,265.00	£39,245.00
TTS quattro	310PS	6-speed S tronic	159	£39,745.00	£40,610.00

Please note: The maximum power output figures are quoted in PS (or Pferdestärke, which is the metric equivalent of brake horsepower). To convert to brake horsepower, divide the PS figure by 1.0139.

***Please note:** Values based on standard EU test figures for comparative purposes and may not reflect real driving results.

TT Roadster Sport

Engines	Power	Transmissions	CO ₂ g/km*	Total RRP inc VAT [^]	Recommended OTR [†]
1.8 TFSI	180PS	6-speed manual	142	£28,085.00	£28,915.00
2.0 TFSI	230PS	6-speed manual	144	£31,270.00	£32,100.00
2.0 TFSI	230PS	6-speed S tronic	155	£32,750.00	£33,615.00
2.0 TFSI quattro	230PS	6-speed S tronic	158	£34,180.00	£35,045.00
2.0 TDI ultra	184PS	6-speed manual	120	£31,310.00	£31,995.00

TT Roadster S line

Engines	Power	Transmissions	CO ₂ g/km*	Total RRP inc VAT [^]	Recommended OTR [†]
1.8 TFSI	180PS	6-speed manual	142	£30,635.00	£31,465.00
2.0 TFSI	230PS	6-speed manual	144	£33,820.00	£34,650.00
2.0 TFSI	230PS	6-speed S tronic	155	£35,300.00	£36,165.00
2.0 TFSI quattro	230PS	6-speed S tronic	158	£36,730.00	£37,595.00
2.0 TDI ultra	184PS	6-speed manual	120	£33,860.00	£34,545.00

TTS Roadster

Engines	Power	Transmissions	CO ₂ g/km*	Total RRP inc VAT [^]	Recommended OTR [†]
TTS quattro	310PS	6-speed manual	173	£40,150.00	£41,130.00
TTS quattro	310PS	6-speed S tronic	163	£41,630.00	£42,495.00

[^]Total RRP inc VAT – Recommended Retail Price including VAT which is calculated at 20%. This may alter to reflect any change in the applicable VAT rate.

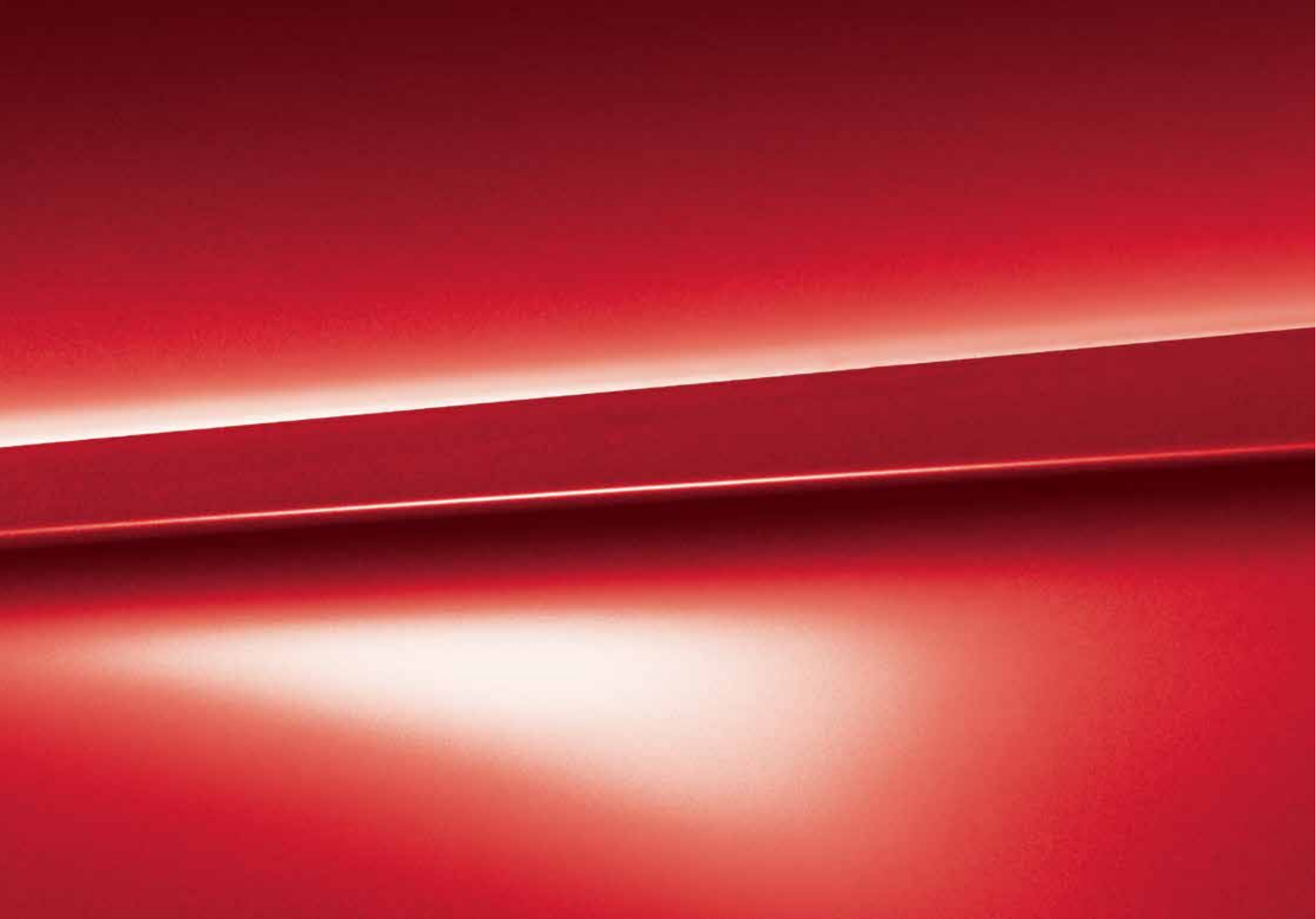
[†]Recommended On-The-Road (OTR) retail prices include: delivery charge, half a tank of fuel, number plates at £630.00 (inc. VAT), Road Fund Licence (which may vary depending on model/transmission – see page 95 for details) and first registration fee at £55.00. Vehicle Excise Duty correct at time of going to print, but this may alter to reflect any change in the applicable VED rate.



Paint

We believe that every part of your car should have a personal touch. Which is why you can choose from a wide range of paint colours, from solid paint to metallic and pearl effect finishes.





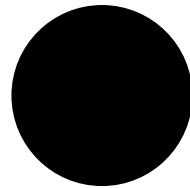
Paint

You can select one of the standard colours shown opposite or, for a different look, choose from the range of metallic or pearl-effect finishes.

Standard colours

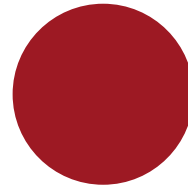


Ibis white - T9

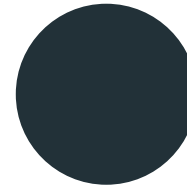


Brilliant black - A2

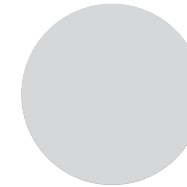
Optional colours



Tango red, metallic - Y1

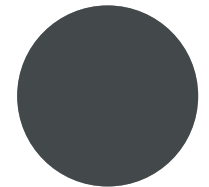


Nano grey, metallic - G3

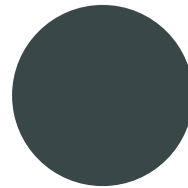


Floret silver, metallic - L5

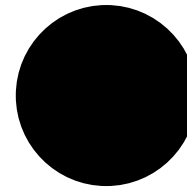
S line and TTS colour



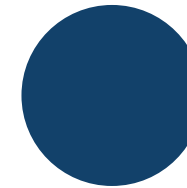
Daytona grey, pearl effect - 6Y



Monsoon grey, metallic - 0C



Mythos black, metallic - 0E



Scuba blue, metallic - S9*



Glacier white, metallic - 2Y

Options are subject to availability and may extend time taken for delivery.

All the colour swatches on this page are matched as accurately as possible to the actual paint colours used. However, due to print processes, Audi UK cannot guarantee that colours shown are 100% accurate.

*Not available on TTS.

Visit your local Audi Centre for a more accurate colour swatch.

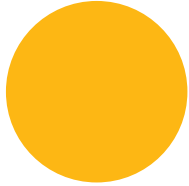
*Total RRP inc VAT - Recommended Retail Price including VAT which is calculated at 20%. This may alter to reflect any change in the applicable VAT rate.

Optional colours

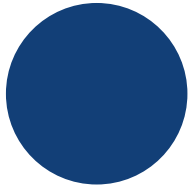
Total RRP inc VAT†

£550.00

TTS colours



Vegas yellow - L1



Sepang blue, pearl effect - E9

Paint

Audi exclusive

Everyone has a favourite colour. No matter what yours is, Audi exclusive provides a range of unique colours that have been designed to set your car apart. Choose from the swatches here, or specify any other paint colour in the Audi range.*

Customised

If you have a particular colour in mind, we'll mix the exact metallic or pearl-effect shade you want.**

Options are subject to availability and may extend time taken for delivery.

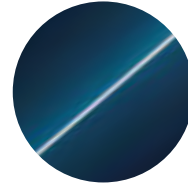
*Audi exclusive paint is subject to factory approval. Visit your local Audi Centre for colour samples.

**Customised paint is subject to factory approval, and is available for metallic and pearl-effect water-based paints only. Three-colour process colours and two-tone schemes are not available.

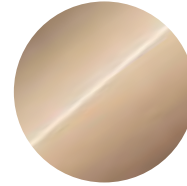
All the colour swatches on this page are matched as accurately as possible to the actual paint colours used. However, due to print processes, Audi UK cannot guarantee that colours shown are 100% accurate.

Visit your local Audi Centre for a more accurate colour swatch.

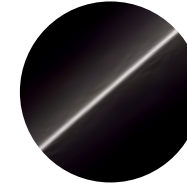
*Total RRP inc VAT - Recommended Retail Price including VAT which is calculated at 20%. This may alter to reflect any change in the applicable VAT rate.



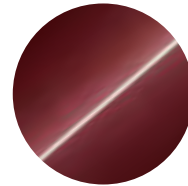
Palace blue, pearl effect



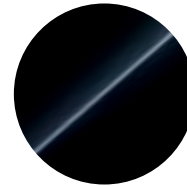
Sand beige, pearl effect



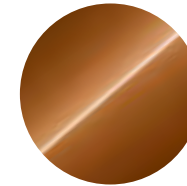
Saddle brown, pearl effect



Classic red, pearl effect



Mamba black, metallic



Ipanema brown, metallic



Any colour in the Audi range or 100 exclusive colours to choose from*

Audi exclusive*

Total RRP inc VAT†
£2,025.00



Customised paint**

Customised**

Total RRP inc VAT†
£2,525.00

Hood colours

The fully-automatic acoustic hood is available in the colours opposite, so you can complement your car's exterior and interior.

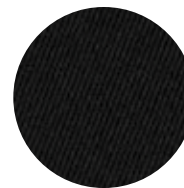
Order Code		Black (PA)	Grey (SW)	Beige (PD)
T9	Ibis white	●	●	●
A2	Brilliant black	●	●	●
Y1	Tango red, metallic	●	●	—
G3	Nano grey, metallic	●	—	●
L5	Floret silver, metallic	●	●	●
0C	Monsoon grey, metallic	●	●	●
0E	Mythos black, metallic	●	●	●
S9	Scuba blue, metallic*	●	●	—
2Y	Glacier white, metallic	●	●	●
6Y	Daytona grey, pearl effect	●	●	●
E9	Sepang blue, pearl effect	●	●	—
L1	Vegas yellow	●	●	—

Options are subject to availability and may extend time taken for delivery.

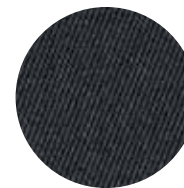
- = Not available
- = Available
- S = Standard

All colour swatches on this page are matched as accurately as possible to the actual upholstery colours used. However, due to print processes, Audi UK cannot guarantee that the colours shown are 100% accurate. Visit your local Audi Centre for a more accurate colour swatch.

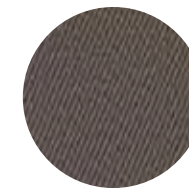
*Not available on TTS.



Black - PA



Grey - SW



Beige - PD



Upholstery

Give your seats the look and feel you want with a choice of Alcantara or Fine Nappa leather upholstery in black. Upgrade to Super Sport seats and you'll also be able to choose from a selection of colours designed to complement your interior.







Upholstery

TT Sport models with Sport seats

Choose your favourite upholstery from the swatches shown opposite to give your car's interior the look and feel you want.

			Sport	S line	TTS quattro	Total RRP inc VAT [†]
Alcantara/leather	 <p>Black - JN/MI*</p>	<p>Sport seats in Alcantara/leather. Seat centre sections and door trim inserts in Alcantara. Head restraints, seat side bolsters and front centre armrest (if ordered) in leather</p>	S	—	—	£0.00

TT S line models with Sport seats

Alcantara/leather	 <p>Black - EI</p>	<p>Sport seats in Alcantara/leather with 'S' embossing on the front seats. Seat centre sections and door trim inserts in Alcantara. Head restraints, seat side bolsters and front centre armrest (if ordered) in leather</p>	—	S	—	£0.00
-------------------	---	---	---	---	---	-------

Options are subject to availability and may extend time taken for delivery.

- = Not available
- = Available
- S = Standard

All colour swatches on this page are matched as accurately as possible to the actual upholstery colours used. However, due to print processes, Audi UK cannot guarantee that the colours shown are 100% accurate. Visit your local Audi Centre for a more accurate colour swatch.

*Coupé only.

[†]Total RRP inc VAT – Recommended Retail Price including VAT which is calculated at 20%. This may alter to reflect any change in the applicable VAT rate.

Upholstery

Sport seats

Options are subject to availability and may extend time taken for delivery.

- = Not available
- = Available
- S = Standard

All colour swatches on this page are matched as accurately as possible to the actual upholstery colours used. However, due to print processes, Audi UK cannot guarantee that the colours shown are 100% accurate. Visit your local Audi Centre for a more accurate colour swatch.



Sport seat in Alcantara/leather for Sport model

Upholstery

TT Sport models with Super Sport seats

Super Sport seats include integrated head restraints, pronounced side bolsters for improved lateral support when cornering, manual seat adjustment with extendable thigh support and electric lumbar support.

TT S line models with Super Sport seats


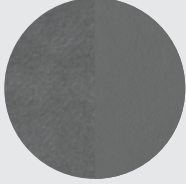







Options are subject to availability and may extend time taken for delivery.

- = Not available
- = Available
- S = Standard

All colour swatches on this page are matched as accurately as possible to the actual upholstery colours used. However, due to print processes, Audi UK cannot guarantee that the colours shown are 100% accurate. Visit your local Audi Centre for a more accurate colour swatch.

*Coupé only.

*Total RRP inc VAT – Recommended Retail Price including VAT which is calculated at 20%. This may alter to reflect any change in the applicable VAT rate.

				Sport	S line	TTS quattro	Total RRP inc VAT*		
Alcantara/leather	 Black – JN/MI*	 Rock grey – NJ/NI*	<p>Super Sport seats in Alcantara/leather. Seat centre sections in Alcantara with diamond quilting. Door trim inserts in Alcantara. Head restraints, seat side bolsters and front centre armrest (if ordered) in leather</p>	•	–	–	£695.00		
	Fine Nappa leather	 Black – JN/MI*		 Rock grey – NJ/NI*	 Palomino brown – OD	<p>Super Sport seats in Fine Nappa leather. Seat centre sections in Fine Nappa leather with diamond quilting. Door trim inserts, head restraints, seat side bolsters and front centre armrest (if ordered) in Fine Nappa leather. Rear seats partly in artificial leather</p>	•	–	–
Alcantara/leather		 Black with Rock grey stitching – EI	 Rotor grey with Anthracite stitching – OQ	<p>Super Sport seats in Alcantara/leather with 'S' embossing. Seat centre sections in Alcantara with diamond quilting. Door trim inserts in Alcantara. Head restraints, seat side bolsters and front centre armrest (if ordered) in leather</p>	–		•	–	£450.00
		Fine Nappa leather	 Black – EI		 Rotor grey – OQ		<p>Super Sport seats in Fine Nappa leather with 'S' embossing on the front seats. Seat centre sections in Fine Nappa leather with diamond quilting. Door trim inserts, head restraints, seat side bolsters and front centre armrest (if ordered) in Fine Nappa leather. Rear seats partly in artificial leather</p>	–	•

Upholstery

Super Sport seats

Options are subject to availability and may extend time taken for delivery.

- = Not available
• = Available
S = Standard

All colour swatches on this page are matched as accurately as possible to the actual upholstery colours used. However, due to print processes, Audi UK cannot guarantee that the colours shown are 100% accurate. Visit your local Audi Centre for a more accurate colour swatch.






*Image shown also includes optional electric front seats and interior elements in Quartz lacquer silver, both of which are available at additional cost.



Super Sport seat in Fine Nappa leather with black upholstery*

Upholstery

TTS models with Super Sport seats

				Sport	S line	TTS quattro	Total RRP inc VAT*	
Alcantara/ Leather			<p>Super Sport seats in Alcantara/leather with 'S' embossing. Seat centre sections in Alcantara with diamond quilting. Door trim inserts in Alcantara. Head restraints, seat side bolsters and front centre armrest (if ordered) in leather</p>	-	-	•	£0.00	
	Black - XG	Rotor grey - OB						
Fine Nappa leather				<p>Super Sport seats in Fine Nappa leather. Seat centre sections in Fine Nappa leather with diamond quilting. Door trim inserts, head restraints, seat side bolsters and front centre armrest (if ordered) in Fine Nappa leather. Rear seats partly in artificial leather</p>	-	-	S	£0.00
	Black - XG	Rotor grey - OB	Express red - OH					

Options are subject to availability and may extend time taken for delivery.

- = Not available
- = Available
- S = Standard

All colour swatches on this page are matched as accurately as possible to the actual upholstery colours used. However, due to print processes, Audi UK cannot guarantee that the colours shown are 100% accurate. Visit your local Audi Centre for a more accurate colour swatch.

*Total RRP inc VAT - Recommended Retail Price including VAT which is calculated at 20%. This may alter to reflect any change in the applicable VAT rate.



Colour and trim guide

Interior trim colours

Sport models with Sport seats

Order Code	Upholstery	Carpet	Dashboard (upper/lower)	Headlining	Alcantara/leather (N7U)
JN	Black	Black	Black/Black	Black	●
MI*	Black	Black	Black/Black	Rock grey	●

S line models with Sport seats

Order Code	Upholstery	Carpet	Dashboard (upper/lower)	Headlining	Alcantara/leather (N7K)
EI	Black	Black	Black/Black	Black	●

Sport models with Super Sport seats

Order Code	Upholstery	Carpet	Dashboard (upper/lower)	Headlining	Alcantara/leather (N7U/PS6)	Fine Nappa leather (N3Q/PS6)
JN	Black	Black	Black/Black	Black	●	●
MI*	Black	Black	Black/Black	Rock grey	●	●
NJ	Rock grey	Black	Black/Black	Black	●	●
NI*	Rock grey	Black	Black/Black	Rock grey	●	●
OD	Palomino brown	Black	Black/Black	Black	—	●

S line models with Super Sport seats

Order Code	Upholstery	Carpet	Dashboard (upper/lower)	Headlining	Alcantara/leather (N7K/PS6)	Fine Nappa leather (N2R/PS6)
EI	Black with Rock grey stitching	Black	Black/Black	Black	●	●
OQ	Rotor grey with Anthracite stitching	Black	Black/Black	Black	●	●

Options are subject to availability and may extend time taken for delivery.

— = Not available
● = Available
S = Standard

*Coupé only.

Colour and trim guide

Interior trim colours

TTS models with Sport seats

Order Code	Upholstery	Carpet	Dashboard (upper/lower)	Headlining	Alcantara/leather (NK7)	Fine Nappa leather (N2R)
XG	Black	Black	Black/Black	Black	●	●
OB	Rotor grey	Black	Black/Black	Black	●	●
OH	Express red	Black	Black/Black	Black	—	●

Seat options

Order Code		Sport	S line	TTS quattro	Total RRP inc VAT*
7P1	Electric lumbar support. For front seats with horizontal and vertical adjustment	●	S	S	£245.00
4A3	Heated front seats. Individually controlled variable temperature adjustment for driver and front passenger seats	●	●	S	£325.00
3PK	Electric front seats. Includes adjustment for height, forwards and backwards position and backrest angle and pneumatic adjustment of backrest side bolsters as well as pneumatic lumbar support. Only in combination with Super Sport seats (PS6)	●	●	●	£995.00

Extended leather packs

Options are subject to availability and may extend time taken for delivery.

— = Not available
● = Available
S = Standard

*Total RRP inc VAT – Recommended Retail Price including VAT which is calculated at 20%. This may alter to reflect any change in the applicable VAT rate.

Order Code		Sport	S line	TTS quattro	Total RRP inc VAT*
7HB	Leather package. Armrests in the doors, door pull handles and trim on the centre console in black leather	●	●	—	£395.00
7HC	Extended leather package in black leather. Armrests in the doors, door pull handles, trim on the centre console and instrument panel cover in black leather	●	●	—	£595.00
		—	—	S	£0.00
7HD	Extended leather package in colour coordinated leather. Armrests in the doors, door pull handles, trim on the centre console and instrument panel cover colour coordinated to the respective interior colour with steering wheel collapsible collar trim in black leather. Only available with Super Sport seats (PS6). Not available with Black upholstery	●	●	—	£695.00
		—	—	●	£100.00

Upholstery

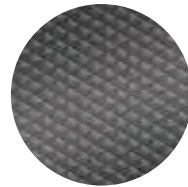
Audi design selection

The Audi design selection includes some of our most striking design features, all of which have been selected by our experts. This package is exclusively available with the TT Coupé and TTS Coupé.

Order Code	Sport	S line	TTS quattro	Total RRP inc VAT*
Audi design selection package in Murillo brown – only available for TT Coupé and TTS Coupé Includes the following equipment items: - Front Super Sport seats - Seat centre panel, seat side bolster and head restraints in Murillo brown Fine Nappa leather	●	–	–	£2,995.00
PEP - Door and side panel trim inserts in Murillo brown Fine Nappa leather - Centre armrest in Murillo brown leather, with contrasting stitching in Steel grey - Armrests in the doors and door pull handles, centre console trim and instrument panel cover in Stone grey leather, with contrasting stitching in Murillo brown - Aluminium drift anthracite inlays - Floor mats in black-Murillo brown with piping in black	–	–	●	£1,095.00



Fine Nappa leather, Murillo brown with Steel grey stitching – OE



Aluminium drift anthracite inlays

Options are subject to availability and may extend time taken for delivery.

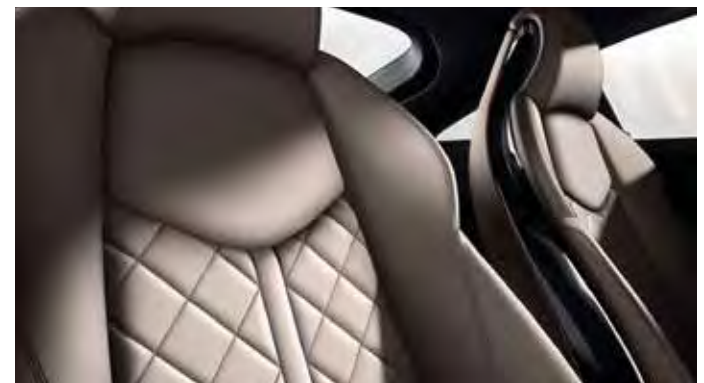
- = Not available
- = Available
- S = Standard

All colour swatches on this page are matched as accurately as possible to the actual upholstery colours used. However, due to print processes, Audi UK cannot guarantee that the colours shown are 100% accurate. Visit your local Audi Centre for a more accurate colour swatch.

*Total RRP inc VAT – Recommended Retail Price including VAT which is calculated at 20%. This may alter to reflect any change in the applicable VAT rate.



Inlays in Aluminium drift anthracite



Front Super Sport seats in Murillo brown with Steel grey stitching



Audi design selection package in Murillo brown

Interior styling

Our interior elements packages enhance your Super Sport seats with your chosen finish on the seat sides, as well as bringing a distinctive look to the centre console and air vents. Combined with inlays for a unique finishing touch, they ensure your Audi TT will be just as eye-catching on the inside as it is on the outside.

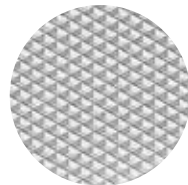




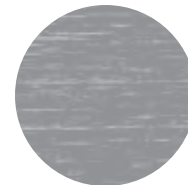
Inlays

Inlays are the all-important finishing touch that add flair and interest to your car's interior.

Order Code		Sport	S line	TTS quattro	Total RRP inc VAT*
5TH	Aluminium drift silver	S	-	-	£0.00
5TG	Matt-brushed aluminium	-	S	S	£0.00



Aluminium drift silver – **5TH**



Matt-brushed aluminium – **5TG**

Options are subject to availability and may extend time taken for delivery.

- = Not available
- = Available
- S = Standard

All the inlay swatches on this page are matched as accurately as possible to the actual inlays colours used. However, due to print processes, Audi UK cannot guarantee that colours shown are 100% accurate.

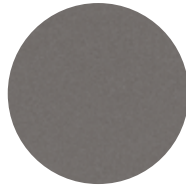
*Total RRP inc VAT – Recommended Retail Price including VAT which is calculated at 20%. This may alter to reflect any change in the applicable VAT rate.



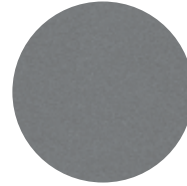
Interior elements

Further personalise your TT's interior with our Interior elements options for the optional Super Sport seats. They add your chosen finish on the seat sides, the edges of the centre console and air vents.

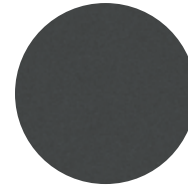
Order Code		Sport	S line	TTS quattro	Total RRP inc VAT*
OUF	Interior elements in Fine lacquer bronze*	●	—	—	£250.00
OUL	Interior elements in Fine lacquer metal grey*	●	—	—	£250.00
OUI	Interior elements in Fine lacquer anthracite*	—	●	S	£250.00
OUM	Interior elements in Fine lacquer silver*	—	●	●	£250.00



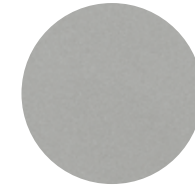
Interior elements in
Fine lacquer bronze – **OUF***



Interior elements in
Fine lacquer metal grey – **OUL***



Interior elements in
Fine lacquer anthracite – **OUI***



Interior elements in
Fine lacquer silver – **OUM***

Options are subject to availability and may extend time taken for delivery.

— = Not available
● = Available
S = Standard

All the interior elements swatches on this page are matched as accurately as possible to the actual colours used. However, due to print processes, Audi UK cannot guarantee that the colours shown are 100% accurate. Visit your local Audi Centre for a more accurate colour swatch.

*Only in combination with Super Sport seats.

*Total RRP inc VAT – Recommended Retail Price including VAT which is calculated at 20%. This may alter to reflect any change in the applicable VAT rate.



Options

Every driver has different needs, which is why we have created some useful options to further enhance your car. For extra comfort, support, style or function, you can choose from a variety of additional features, tailoring everything from your infotainment and audio equipment to your wheels and lighting.





Wheels, tyres and suspension

Choose a set of specially selected alloy wheels to subtly enhance the way your car looks.



18" x 8.5J '10-spoke'
design alloy wheels - CV8



18" x 8.5J '20-spoke-V'
design alloy wheels - C3A



18" x 8.5J '5-twin-spoke Dynamic'
design alloy wheels - C3G



18" x 8.5J '10-V-spoke'
design alloy wheels - C6C



19" x 9J '5-Arm Star'
design alloy wheels - CJ3



19" x 9J '5-parallel-spoke Star'
design alloy wheels - CV9



19" x 9J '5-spoke Blade'
design alloy wheels - C5H



19" x 9J '5-twin-spoke'
design alloy wheels - C5K



20" x 9J '10-Y-spoke'
design alloy wheels - CE5

Options are subject to availability and may extend time taken for delivery.

All alloy wheel images are matched as accurately as possible to the actual colour. However, due to print processes, Audi UK cannot guarantee that colours shown are 100% accurate.

Wheels, tyres and suspension

Order Code		Sport	S line	TTS quattro	Total RRP inc VAT*
CV8	18" x 8.5J '10-spoke' design alloy wheels with 245/40 R18 tyres	S	-	-	£0.00
C3A	18" x 8.5J '20-spoke-V' design alloy wheels with 245/40 R18 tyres	●	-	-	£0.00
C3G	18" x 8.5J '5-twin-spoke Dynamic' design alloy wheels with 245/40 R18 tyres	●	-	-	£450.00
C6C	18" x 8.5J '10-V-spoke' design alloy wheels with 245/40 R18 tyres	-	●	-	£0.00
CJ3	19" x 9J '5-Arm Star' design alloy wheels with 245/35 R19 tyres	-	S	-	£0.00
CV9	19" x 9J '5-parallel-spoke Star' design alloy wheels with 245/35 R19 tyres	-	-	S	£0.00
C5H	19" x 9J '5-spoke Blade' design alloy wheels with 245/35 R19 tyres	-	●	●	£450.00
C5K	19" x 9J '5-twin-spoke' design alloy wheels with 245/35 R19 tyres	-	●	●	£450.00
CE5	20" x 9J '10-Y-spoke' design alloy wheels with 255/30 R20 tyres. Only available on TT Coupé and TTS Coupé	-	●	●	£850.00
1BV	S line suspension lowered by 10mm	-	●	-	£0.00
PC2	Brake calipers painted in red with TTS logo	-	-	●	£325.00
2MV	Audi magnetic ride – improves ride comfort and driving dynamics by regulating the damping forces based on the driving situation; adaptive damper system with 3 individual suspension settings (Auto/Comfort/Dynamic) operated via Audi Drive Select. The vehicle is also lowered by 10mm	●	●	S	£1,095.00

Options are subject to availability and may extend time taken for delivery.

- = Not available
● = Available
S = Standard

*Total RRP inc VAT – Recommended Retail Price including VAT which is calculated at 20%. This may alter to reflect any change in the applicable VAT rate.

Packages

Some items work well together, which is why we've created these special packages.

Order Code	Sport	S line	TTS quattro	Total RRP inc VAT*
WB4 Technology Package featuring Audi Connect. Utilise the stunning graphics of the Audi Virtual Cockpit with 3D navigation and the addition of Audi Connect to offer Internet access on the move. Includes: MMI Navigation Plus. Highlights include: Navigation system integrated into the stunning 12.3" Audi Virtual Cockpit to offer 3D map display, map update service for the first five half-yearly navigation updates, 8 passive loudspeakers, total power of 100 watts, Media jukebox with space for approximately 10GB and album cover display, DVD drive (MP3, WMA, AAC and MPEG-4-compatible) for music CDs and video DVDs, whole-word address input in one sentence using voice control system and MMI Search: Free text search with intelligent suggestions during input Audi Connect. Convenient connection of your vehicle to the Internet via an integrated data module with LTE/ UMTS connection. Highlights of Audi Connect services include navigation with Google Earth™ and Google Street View™, destination input via myAudi or Google Maps™, access to Twitter, Wi-Fi hotspot, weather and news online and travel information Please see pages 28 and 95 for a full description of this option including functionality and compatibility details Important connectivity information. An external data source is required to enable the Audi Connect Online Services. A separate SIM card can be inserted in the SIM card reader	•	•	•	£1,795.00

Options are subject to availability and may extend time taken for delivery.

- = Not available
- = Available
- S = Standard

*Total RRP inc VAT – Recommended Retail Price including VAT which is calculated at 20%. This may alter to reflect any change in the applicable VAT rate.



MMI Navigation Plus – part of the Technology Package

Packages

Order Code		Sport	S line	TTS quattro	Total RRP inc VAT*
WF5	Open-Top Driving Package. The ultimate package for driving with the top down even in the winter (Roadster only). Includes: Head-level heating. Air vents in the backrests of the front seats provide a warming flow of air at head level. Can be adjusted in 3 stages using the rotary control in the outer air vents Electrically operated wind deflector. Reduces drafts in the interior. Electrically retracted and extended using a button in the centre console Heated seats. Individually controlled variable temperature adjustment for driver and front passenger seats, controlled via integrated rotary knobs in the outer air vents Super Sport seats. Include integrated head restraints, pronounced side bolsters for improved lateral support when cornering, manual seat adjustment with extendable thigh support and electric lumbar support				
		●	●	—	£1,695.00
	In combination with Super Sport seats in Fine Nappa leather	●	●	●	£1,000.00

Options are subject to availability and may extend time taken for delivery.

- = Not available
- = Available
- S = Standard

*Total RRP inc VAT – Recommended Retail Price including VAT which is calculated at 20%. This may alter to reflect any change in the applicable VAT rate.



Packages

Vehicle driver assistance and safety systems are not a substitute for attentive driving. Drivers retain full responsibility for providing the necessary inputs for safe control of the vehicle. System descriptions within this brochure are provided for information purposes only. System limitations and operational requirements apply. See manual for details.

Options are subject to availability and may extend time taken for delivery.

- = Not available
- = Available
- S = Standard

*Total RRP inc VAT – Recommended Retail Price including VAT which is calculated at 20%. This may alter to reflect any change in the applicable VAT rate.

Order Code	Sport	S line	TTS quattro	Total RRP inc VAT*
	•	•	–	£1,590.00
WB3 9VS	–	–	•	£1,320.00

Comfort and Sound package. Combines the ultimate in sound quality together with everyday comfort items. Includes:
Bang & Olufsen sound system. Features 12 high-performance speakers and a 14-channel amplifier with a total power of 680 watts. The system is equipped with VNC (Vehicle Noise Compensation), which, through the on-board microphone detects the sound reproduced and compensates for external and internal noise. 5.1 surround sound is possible when combined with Technology Package (WB4)
Deluxe automatic air conditioning with integrated digital displays. Features digital integrated displays directly in the air vents and electronically regulates the air temperature, air flow rate and air distribution. Automatic recirculation mode by means of air quality sensor, combined filter, and humidity regulation for more efficient climate control
Audi parking system, rear. Makes reverse parking easier by indicating acoustically how far away the vehicle is from an object detected behind it. Measurement is by ultrasonic sensors integrated discreetly in the bumper
Front centre armrest with angle and lengthways adjustment. Also includes an additional fold-out cupholder



Electronic climate control – part of the Comfort and Sound package



Bang & Olufsen sound system – part of the Comfort and Sound package



Image shown also features aluminium foot rest. On UK models this will be black

Audio and communication

Stay in touch using our range of communication functions, and give each journey its own soundtrack with our advanced audio equipment.

Order Code		Sport	S line	TTS quattro	Total RRP inc VAT*
9VD	Audi sound system. Ensures perfectly balanced sound throughout the entire passenger compartment: - 9 speakers in total including centre speaker and two bass speakers in the doors - 5-channel amplifier with a total output of 155 watts	●	●	S	£270.00
9ZE	Audi Phone Box. Allows phone calls to be made with improved reception quality by placing the mobile phone in the storage compartment provided in the centre console to create a 'wireless' connection to the vehicle aerial. Operated via the MMI control panel or multi-function steering wheel. Mobile phone can be charged via a USB port. Please see audi.co.uk/phonecompatibility to check compatibility and software version of your mobile phone	●	●	●	£325.00
9VS	Bang & Olufsen sound system. Features 12 high-performance speakers and a 14-channel amplifier with a total power of 680 watts. The system is equipped with VNC (Vehicle Noise Compensation), which, through the on-board microphone detects the sound reproduced and compensates for external and internal noise. 5.1 surround sound is possible when combined with Technology Package (WB4)	●	●	●	£895.00

Options are subject to availability and may extend time taken for delivery.

- = Not available
- = Available
- S = Standard

*Total RRP inc VAT - Recommended Retail Price including VAT which is calculated at 20%. This may alter to reflect any change in the applicable VAT rate.

Interior equipment

Specify every detail of your car's interior with this range of options.

Options are subject to availability and may extend time taken for delivery.

- = Not available
 ● = Available
 S = Standard

*Total RRP inc VAT – Recommended Retail Price including VAT which is calculated at 20%. This may alter to reflect any change in the applicable VAT rate.

Order Code		Sport	S line	TTS quattro	Total RRP inc VAT*
9AK	Deluxe automatic air conditioning with integrated digital displays. Features digital integrated displays directly in the air vents and electronically regulates the air temperature, air flow rate and air distribution. Automatic recirculation mode by means of air quality sensor, combined filter, and humidity regulation for more efficient climate control	●	●	●	£495.00
7S1	Wind deflector with electric retraction and extension, reduces the draughts in the interior and thus ensures greater driving comfort (Roadster only)	●	●	●	£425.00
6E3	Front centre armrest	●	●	●	£175.00
QE1	Storage and luggage package provides additional space for storage, including: - Storage nets on the backs of the front seat backrests - Storage net in the front passenger footwell - Storage under the front seats containing 2 safety vests - A 12V socket and additional LED lighting in the luggage compartment	●	●	●	£175.00
PU7	Auto-dimming rear-view mirror with Light and rain sensor package. Includes: - A light sensor which detects when the headlights behind are too bright and dims the rear-view mirror automatically - Automatically switches the dipped beam headlights and windscreen wipers on/off depending on the light and rain conditions - Coming home/leaving home function which delays the deactivation of the front and rear lights after locking and automatic activation of the lights when unlocking	●	-	-	£265.00
QQ1	LED interior lighting package , in addition to the standard interior lighting: - Anti-glare lighting for the passenger compartment comprising door sill and footwell lighting at the front - Illuminated inside door openers - Active door reflectors	●	●	S	£270.00
PG3	Advanced key. Access and authorisation system which automatically exchanges data between key and vehicle, allowing the driver to keep the key in their pocket or bag at all times. To unlock and open, simply lift the exterior door handle. To lock, press the button on the handle	●	●	●	£455.00
9JD	Smoking package with cigarette lighter and 12V socket in the centre console	●	●	●	£30.00



Wind deflector



Front centre armrest



Light and rain sensor

Exterior equipment

Make sure your car looks exactly as you want it to by selecting some of our striking options.

Options are subject to availability and may extend time taken for delivery.

- = Not available
- = Available
- S = Standard

*Total RRP inc VAT – Recommended Retail Price including VAT which is calculated at 20%. This may alter to reflect any change in the applicable VAT rate.

Order Code		Sport	S line	TTS quattro	Total RRP inc VAT*
PX2 PU7	LED headlights. All-weather LED headlights for all front lighting functions. LED technology provides lower energy consumption and enhanced contrast with a colour similar to daylight, for increased safety and good recognition by other road users. Includes all-weather light function to reduce the risk of the driver being dazzled when visibility is poor (in fog, rain or snow). Also includes the Light and rain sensor package (PU7) and LED tail lights with dynamic flashing rear indicators and headlight cleaning system (8X1)	•	S	S	£1,695.00
8G1	High-beam assist. Working within system limits, automatically detects the headlights of oncoming traffic, the rear lights of other road users and built-up areas and, depending on the traffic situation, the high beam is automatically switched on or off. Only in combination with Auto-dimming rear-view mirror with Light and rain sensor package (PU7)	•	•	•	£160.00
PXC PU7	Audi Matrix LED headlights. Audi Matrix technology provides maximum and precise illumination at all times without dazzling other road users whilst minimising energy usage. The Matrix LED units each incorporate 12 separate controllable LEDs which form the high beam and can be individually shut off when sensors detect traffic ahead or approaching, to 'divert' the beam around other road users without diminishing its effectiveness. The vehicle uses information from a camera to detect other road users and identify the appropriate lighting required. Also includes: - Dynamic front and rear indicators which sweep from inside to out - Headlight cleaning system (8X1) - Light and rain sensors with auto-dimming rear view mirror (PU7)	•	-	-	£2,375.00
		-	•	•	£945.00
VW1	Privacy glass. Dark tinted rear and rear-side windows from B-pillar backwards. Coupé only	•	•	•	£450.00
6XE	Door mirrors – Electrically adjustable, folding and heated. Also includes an automatic kerb view dipping function on the passenger side when reverse gear is selected	•	•	•	£215.00
6XK	Door mirrors – Auto-dimming on the driver's side, electrically adjustable, folding and heated. Also includes an automatic kerb view dipping function on the passenger side when reverse gear is selected. Only in combination with Auto-dimming rear-view mirror (PU7)	•	•	•	£280.00
2Z0	Deletion of model and technology designation	•	•	•	£0.00





Safety and security

Intelligent technology designed to give you better all-round awareness and safety on the road.

Vehicle driver assistance and safety systems are not a substitute for attentive driving. Drivers retain full responsibility for providing the necessary inputs for safe control of the vehicle. System descriptions within this brochure are provided for information purposes only. System limitations and operational requirements apply. See manual for details.

Options are subject to availability and may extend time taken for delivery.

- = Not available
- = Available
- S = Standard

*Total RRP inc VAT – Recommended Retail Price including VAT which is calculated at 20%. This may alter to reflect any change in the applicable VAT rate.

Order Code		Sport	S line	TTS quattro	Total RRP inc VAT*
UH2	Hold assist	•	•	•	£90.00
7X1	Audi parking system, rear (also available as part of the Comfort and Sound package). The system warns the driver about obstacles with a warning tone which gets progressively faster as the vehicle moves closer to the obstacle	•	•	•	£430.00
7X2	Audi parking system plus, front and rear with selective display. In addition to Audi parking system rear, also includes: - Selectable sensors and detection systems for the front of the vehicle - A visual display in the Audi Virtual Cockpit which shows the parking situation around the vehicle, displaying white distance markers for obstacles that would not be touched and red symbols for obstacles that may be touched	•	•	•	£840.00
	In combination with Comfort and Sound package	•	•	•	£410.00
7X5	Audi parking system plus, with park assist. In addition to parking system plus front and rear with selected display: - Ultrasonic sensors are used to search for parking spaces by the roadside and the system calculates the ideal parking path for reverse and parallel parking spaces - Assisted parking is now even possible in smaller parking spaces and bend areas, and the system will park the car in several moves if required - Steering action is performed by the system while the driver only needs to accelerate and apply the brakes - Additional sensors indicate obstacles detected all around and at the side of the vehicle, and warn the driver, making parking easier and safer by setting the correct steering angle	•	•	•	£1,070.00
	In combination with Comfort and Sound package	•	•	•	£640.00
KA2	Reversing Camera. Gives a camera image of the area behind the vehicle shown in the Audi Virtual Cockpit, with dynamic display modes highlighting the calculated path (steer-angle dependent). Only in combination with Audi parking system plus (7X2 or 7X5)	•	•	•	£450.00



Audi parking system plus, with park assist



Audi parking system plus, with park assist



Safety and security

Intelligent technology designed to give you better all-round awareness and safety on the road.

Vehicle driver assistance and safety systems are not a substitute for attentive driving. Drivers retain full responsibility for providing the necessary inputs for safe control of the vehicle. System descriptions within this brochure are provided for information purposes only. System limitations and operational requirements apply. See manual for details.

Options are subject to availability and may extend time taken for delivery.

- = Not available
- = Available
- S = Standard

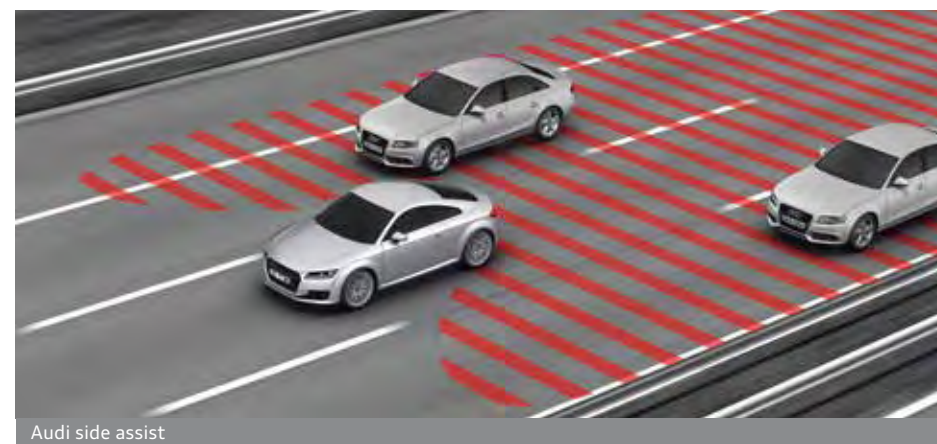
*Where the law permits.

*Total RRP inc VAT – Recommended Retail Price including VAT which is calculated at 20%. This may alter to reflect any change in the applicable VAT rate.

Order Code		Sport	S line	TTS quattro	Total RRP inc VAT*
8T6	Cruise control. Maintains any speed above 18mph, provided that the engine power output and engine braking effect permit it. Operated via separate steering column stalk, with set speed displayed in the Audi Virtual Cockpit	•	•	•	£295.00
6I1	Audi active lane assist. Helps the driver stay in lane, with gentle steering intervention, providing enhanced safety and comfort, especially on motorways and country roads: - Working within the system limits, it functions between speeds of approx 37mph to 155mph* and detects lane markings - It then helps the driver remain in lane by active steering intervention and, if desired, vibration when inadvertently leaving the lane without indicating - The system is activated manually by a switch on the indicator stalk (Standard on 2.0 TFSI and TTS engines) Only in combination with Auto-dimming rear-view mirror with Light and rain sensor package (PU7) on the 2.0 TDI engine with Sport trim	•	•	S	£650.00
7Y1	Audi side assist. Increased safety thanks to monitoring of the blind spot: - Working within the system limits, it functions above 19mph using radar sensors to monitor the areas to the side and behind the vehicle - It then informs the driver with a visual warning signal in the door mirror if there is a vehicle in their blind spot or approaching quickly from behind - The system is activated using the MMI car settings	•	•	•	£595.00
QR9	Traffic sign recognition. The camera-based recognition of traffic signs enables the current statutory speed limit to be conveniently displayed in the Audi Virtual Cockpit. Should the camera fail to see a sign properly, the speed limit from the data for the navigation system will be shown instead. Some advantages of this system are: - Current detected speed limits, including additional signs, are displayed at all times in the Audi Virtual Cockpit - In addition, speed limits are evaluated according to the situation if the road surface is wet or at certain times of day - Within system limits, the camera-based system also recognises temporary speed restrictions at road works and on digital signs (e.g. overhead signs on motorways) Only available in combination with Technology package featuring Audi Connect (WB4) and Auto-dimming rear-view mirror with Light and rain sensor package (PU7) on the 2.0 TDI engine with Sport trim	•	•	•	£160.00



Audi active lane assist



Audi side assist



Looking after your Audi

When you've chosen your ideal model, it's reassuring to know that it will remain in safe hands. That's why we've created products to protect your Audi, such as extended warranties. And there's also a range of Audi accessories and merchandise to choose from, enabling you to further enhance and safeguard your car.





Audi Complete

If you drive under 10,000 miles per annum your vehicle will be placed on a Fixed Inspection Service schedule. If your mileage tends to exceed 10,000 miles per annum it will be placed on the Flexible Service schedule.

Warranty

All new Audi models come with a three-year warranty as standard, and you can choose to extend this to a four or five-year warranty* for a one-off cost. What's more, if you decide to sell your Audi before the warranty expires, it will be fully transferred to the new owner.

- = Not available
- = Available
- S = Standard

*Three-year warranty consists of a two-year unlimited mileage warranty and a third year warranty with a 60,000-mile limitation. Four-year warranty consists of a two-year unlimited mileage warranty and two further years' coverage with a 75,000-mile limitation. Five-year warranty consists of a two-year unlimited mileage warranty and three further years' coverage with a 90,000-mile limitation.

**Only available prior to registration of your Audi TT. Please speak to your Audi Centre for full details.

*Total RRP inc VAT - Recommended Retail Price including VAT which is calculated at 20%. This may alter to reflect any change in the applicable VAT rate.

Audi Complete is our fixed-cost maintenance plan, which helps you keep your Audi in top condition and stay in control of your finances. For a simple monthly payment, you could cover your car's servicing, maintenance and, if you want, its tyres too.

So not only will you ensure your car runs smoothly, you'll also protect its future resale value. And because everything's covered by one competitive price, there's no need to go anywhere else.

Pricing is completely tailored to your vehicle and takes into consideration the options you have on your vehicle and your likely annual mileage and resultant service schedule. Please speak to your Audi Centre for a personalised quote for Audi Complete.

Order Code		TT	TTS	Total RRP inc VAT ⁺
-	Audi Warranty , covering you for unlimited mileage in the first two years of ownership, and up to 60,000 miles in the third year. Transferable between owners**	S	S	£0.00
EA6	Audi Warranty , covering you for up to 4 years or 75,000 miles, whichever comes sooner. Cover includes a two-year unlimited mileage warranty, and up to 75,000 miles in the third and fourth years. Transferable between owners**	•	•	£385.00
EA9	Audi Warranty , covering you for up to 5 years or 90,000 miles, whichever comes sooner. Cover includes a two-year unlimited mileage warranty, and up to 90,000 miles in the third, fourth and fifth years. Transferable between owners**	•	•	£905.00





Accessories

Choosing an Audi isn't just a matter of deciding on the model you want; it's about creating a car that suits your needs perfectly. And that's why we've developed a whole range of optional accessories to enhance your TT, enabling you to customise it down to the last detail. Like your Audi, all these accessories are developed to the highest possible standards. They're all available exclusively from Audi. To find out more, just visit audi.co.uk/accessories or contact your local Audi Centre.

Warranty

All of the accessories available on the TT are covered by a three-year warranty* if they are ordered and included in the purchase price of the car at date of delivery. Any accessories ordered and installed after delivery include a two-year warranty.*

*Excluding Road Angel products. Audi Accessories warranty terms and conditions can be found at audi.co.uk/warrantyterms



Merchandise

From the enthusiasts' motorsport collection to the sophisticated Audi collection, there's a wide variety of adults' and children's clothing, lifestyle accessories and collectables, all of which bear the Audi name.

Please speak to a member of our team at your local Audi Centre to see the full Audi collection and to place an order. A selection of Audi merchandise is also available to buy from audi.co.uk/merchandise



Image shown is the Audi kids' car legends, item number 320.13.004.00

The Audi **Difference**

The experts in Vorsprung durch Technik

Our Audi Approved Master Technicians have undergone an impressive 100,000 hours of training over a 10-year programme to ensure they have the latest technical expertise for maintaining and servicing your Audi. All our Service Advisors undergo a specialist induction and training to ensure they are Audi professionals and able to talk to you about any issues you may have with your Audi vehicle.

Servicing tailored to your needs

Regular servicing is key to safeguarding your Audi's performance and a full service history could help you enhance the future re-sale value. To make servicing easy, the Audi Service Schedules have been designed to work with your individual driving style and vehicle.

We offer two different schedules: the Fixed Inspection Service and the Flexible Service schedule. The conventional Fixed Inspection Service schedule has fixed intervals for the Oil-change Service and Inspection Service, which are determined by time and distance.

With the Flexible Service schedule, the Inspection Service intervals are also fixed but the Oil-change Service intervals are variable. Sensors take account of driving style and conditions to determine when the Oil-change Service is required and the driver is informed via the on-board service interval display.

The choice of Service Schedule will depend on journey type and mileage as well as individual driving style and conditions. The table to the right can be used for guidance but your Audi Centre will help you to determine the most suitable Service Schedule for you based on your individual circumstances and preferences.

Fixed Inspection Service Schedule

	Vehicle usage:
Mileage	Less than 10,000 miles per annum Mainly city/town centre driving. Short journeys.
	Service intervals:
Oil-change Service	Fixed to every 9,000+ miles/1 year
Inspection Service	Fixed to every 19,000+ miles/2 years

Flexible Service Schedule

	Vehicle usage:
Mileage	More than 10,000 miles per annum Motorway and main road driving. Mainly longer distance journeys. Constant speeds.
	Service intervals:
Oil-change Service	Variable to a maximum of every 19,000+ miles/2 years
Inspection Service	Fixed to every 19,000+ miles/2 years

When a vehicle is frequently used in the following conditions, we recommend a Fixed Inspection Service Schedule, regardless of mileage:

Uneconomical driving styles, e.g. heavy acceleration and braking, constant use of high revs
High engine-loading conditions, e.g. frequent towing and hill climbs

*As indicated by the service interval display. Mileages are approximate as the Service Indicator system uses kilometres as its distance measurement.

Your convenience comes first

At Audi you can choose from a range of convenient services that suit your needs. Why not book a 'service while you wait' appointment* and enjoy our complimentary refreshments while your car is with us? Or, if you need to be mobile, take advantage of one of our courtesy cars which we can even deliver to you.* We guarantee we can service your Audi within 5 days without a courtesy car or within 10 days if you need transport. We will also ensure your car is returned to you with a full valet.

Audi Genuine Parts

You can rest assured that only Audi Genuine Parts will be used on your vehicle. What's more, Audi parts and labour come with a 2-year guarantee.**

No hidden costs

We believe strongly in transparency when it comes to our prices. For added peace of mind, we will give you a quotation over the phone for the work you have requested and email you the price confirmation. We'll consult you if any additional work on your car is needed when it is with us. We won't carry out any extra work without asking your permission first.

All part of the service

Whenever we see an Audi for a service, we connect it directly to our headquarters in Ingolstadt which enables us to check your car's software and make sure it's as up-to-date as possible. If the factory has released a software upgrade for your model, it can be applied immediately - improving anything from your car's efficiency to the precision of its parking system.

Audi Roadside Assistance

Your new car comes complete with 3 years' complimentary roadside assistance and recovery across the UK, provided by Automobile Association Insurance Services Limited. Also included is roadside assistance throughout Europe, managed by Automobile Association Insurance Services Limited.

For further information and terms and conditions please visit audi.co.uk

*Subject to availability.

**Excludes wear and tear.





TT Coupé

technical data

Engine	Petrol				Diesel
	1.8 TFSI	2.0 TFSI	2.0 TFSI	2.0 TFSI quattro	2.0 TDI ultra
Transmission	6-speed manual	6-speed manual	6-speed S tronic	6-speed S tronic	6-speed manual
Cylinder	4-cylinder	4-cylinder	4-cylinder	4-cylinder	4-cylinder
Displacement, cubic cm (valves per cylinder)	1798 (4)	1984 (4)	1984 (4)	1984 (4)	1968 (4)
Max. power ¹ , PS at rpm	180/5100-6200	230/4500-6200	230/4500-6200	230/4500-6200	184/3500-4000
Max. torque, Nm at rpm	250/1250-5000	370/1600-4300	370/1600-4300	370/1600-4300	380/1750-3250
Top speed ² , mph	149	155	155	155	149
0-62mph acceleration, seconds	6.9	6.0	5.9	5.3	7.1
CO ₂ emissions ³ , g/km	138	141	150	153	116
Benefit in kind (BIK)%	22%	23%	25%	25%	21%
Fuel consumption ³ , mpg (l/100km) Urban	37.2 (7.6)	37.7 (7.5)	33.6 (8.4)	33.2 (8.5)	54.3 (5.2)
Fuel consumption ³ , mpg (l/100km) Extra Urban	55.4 (5.1)	54.3 (5.2)	52.3 (5.4)	50.4 (5.6)	70.6 (4.0)
Fuel consumption ³ , mpg (l/100km) Combined	47.1 (6.0)	46.3 (6.1)	43.5 (6.5)	42.8 (6.6)	62.8 (4.5)
ABI insurance group 1-50 ⁴	33E	35E	35E	37E	35E
Unladen weight ⁵ , kg	1210	1230	1260	1335	1265
Gross weight limit, kg	1610	1630	1660	1735	1665
Roof load limit	75	75	75	75	75
Luggage compartment capacity, rear seats upright, litres	305	305	305	305	305
Luggage compartment capacity, rear seats folded, litres	712	712	712	712	712
Fuel tank capacity approx, litres	50	50	50	55	50
Emission standard	EU6	EU6	EU6	EU6	EU6

¹Highest insurance group rating shown. Group may be lower dependent on trim level. Please visit thatcham.org/abigrouprating for details.

Please note: The maximum power output figures are quoted in PS (or Pferdestärke, which is the metric equivalent of brake horsepower). To convert to brake horsepower, divide the PS figure by 1.0139.

²The given value was obtained in accordance with the specified measurement procedure (the respective current version of the Directive 80/1269/EEC).

³Top speed is achieved in top gear.

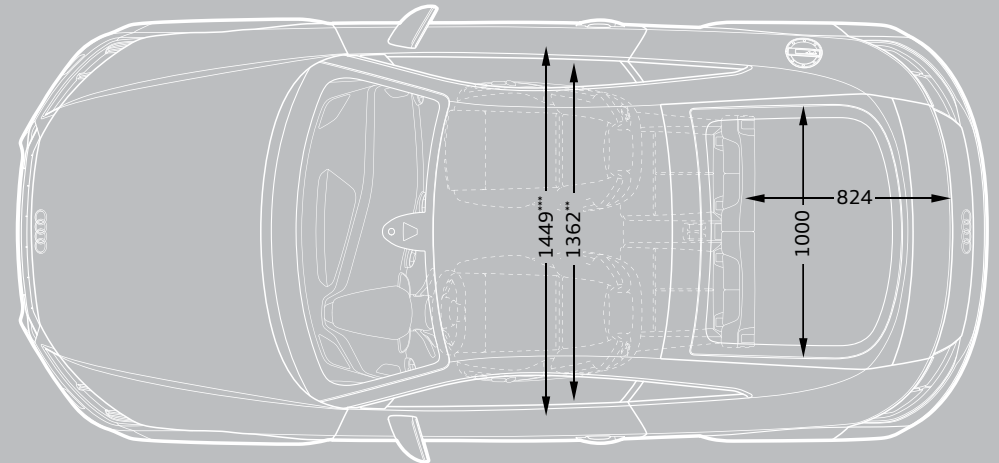
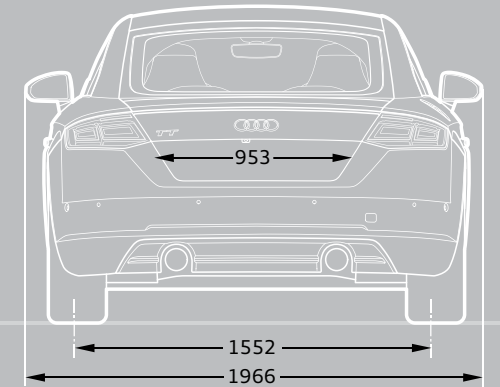
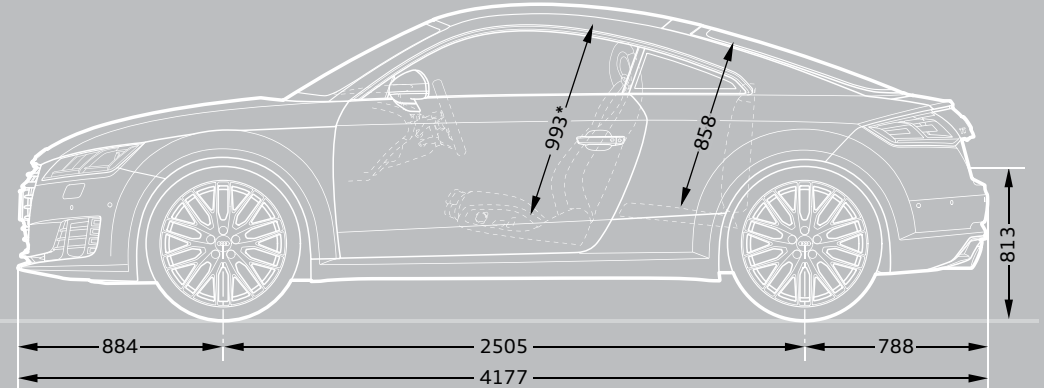
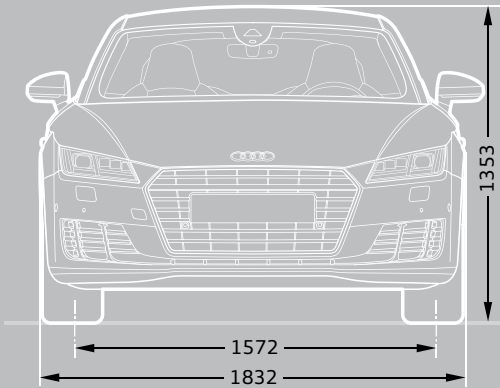
⁴Fuel consumption and CO₂ emissions figures are obtained under standardised test conditions (Directive 93/116/EEC) using a representative model. This allows direct comparison between different models from different manufacturers, but may not represent the actual fuel consumption achieved in 'real world' driving conditions. More information is available at dft.gov.uk/vca

⁵Vehicle's unladen weight without driver (calculated in accordance with the current version of Directive 80/1268/EEC). The fitting of additional equipment may increase the vehicle's unladen weight and drag coefficient, whereupon the potential carrying capacity and top speed will be correspondingly reduced.

⁶The engine's power output always goes down with increasing altitude. At 1,000m above sea level, and for every additional 1,000m, deduct 10% from the weight of the outfit (trailer load limit + gross weight of the towing vehicle).

TT Coupé dimensions

The technical drawings opposite show the exact dimensions of the Audi TT Coupé, so you can check everything – from whether the car will fit in your garage to whether your luggage will fit in the boot.



Dimensions in millimetres. Optional equipment may affect dimensions.

*Maximum headroom.

**Elbow room width.

***Shoulder room width.

Turning circle approx 11m.

Dimensions were measured with vehicle at unladen weight, ground clearance measured with vehicle carrying its maximum load.

TTS Coupé technical data

Engine	Petrol	
	2.0 TTS quattro	2.0 TTS quattro
Transmission	6-speed manual	6-speed S tronic
Cylinder	4-cylinder	4-cylinder
Displacement, cubic cm (valves per cylinder)	1984 (4)	1984 (4)
Max. power ¹ , PS at rpm	310/5800-6200	310/5800-6200
Max. torque, Nm at rpm	380/1800-5700	380/1800-5700
Top speed ² , mph	155	155
0-62mph acceleration, seconds	4.9	4.6
CO ₂ emissions ³ , g/km	168	159
Benefit in kind (BIK)%	28%	26%
Fuel consumption ³ , mpg (l/100km) Urban	30.1 (9.4)	33.6 (8.4)
Fuel consumption ³ , mpg (l/100km) Extra Urban	46.3 (6.1)	47.1 (6.0)
Fuel consumption ³ , mpg (l/100km) Combined	38.7 (7.3)	40.9 (6.9)
ABI insurance group 1-50 ⁴	42E	42E
Unladen weight ⁴ , kg	1365	1385
Gross weight limit, kg	1765	1785
Roof load limit	75	75
Luggage compartment capacity, rear seats upright, litres	305	305
Luggage compartment capacity, rear seats folded, litres	712	712
Fuel tank capacity approx, litres	55	55
Emission standard	EU6	EU6

¹Highest insurance group rating shown. Group may be lower dependent on trim level. Please visit thatcham.org/abigrouprating for details.

Please note: The maximum power output figures are quoted in PS (or Pferdestärke, which is the metric equivalent of brake horsepower). To convert to brake horsepower, divide the PS figure by 1.0139.

²The given value was obtained in accordance with the specified measurement procedure (the respective current version of the Directive 80/1269/EEC).

³Top speed is achieved in top gear.

⁴Fuel consumption and CO₂ emissions figures are obtained under standardised test conditions (Directive 93/116/EEC) using a representative model. This allows direct comparison between different models from different manufacturers, but may not represent the actual fuel consumption achieved in 'real world' driving conditions. More information is available at dft.gov.uk/vca

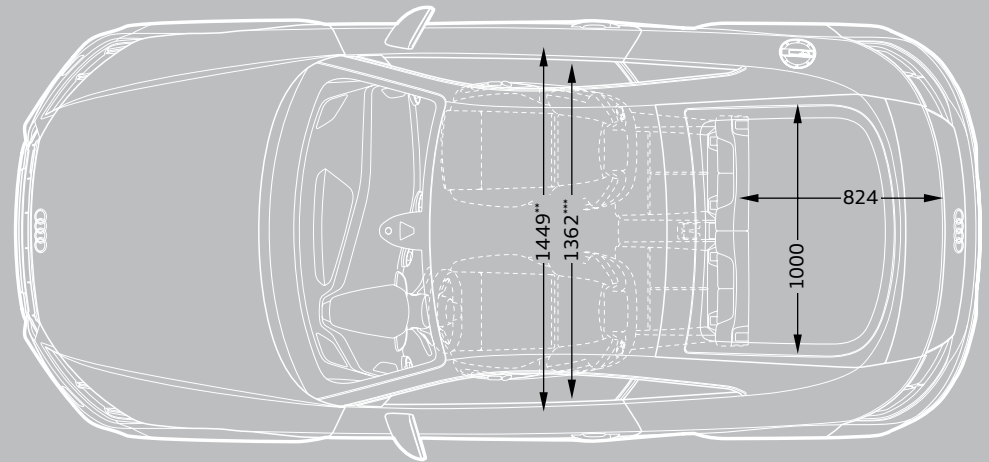
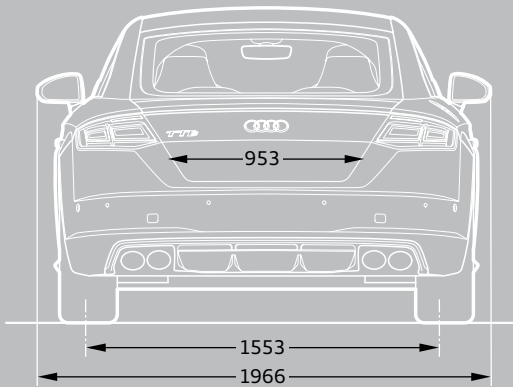
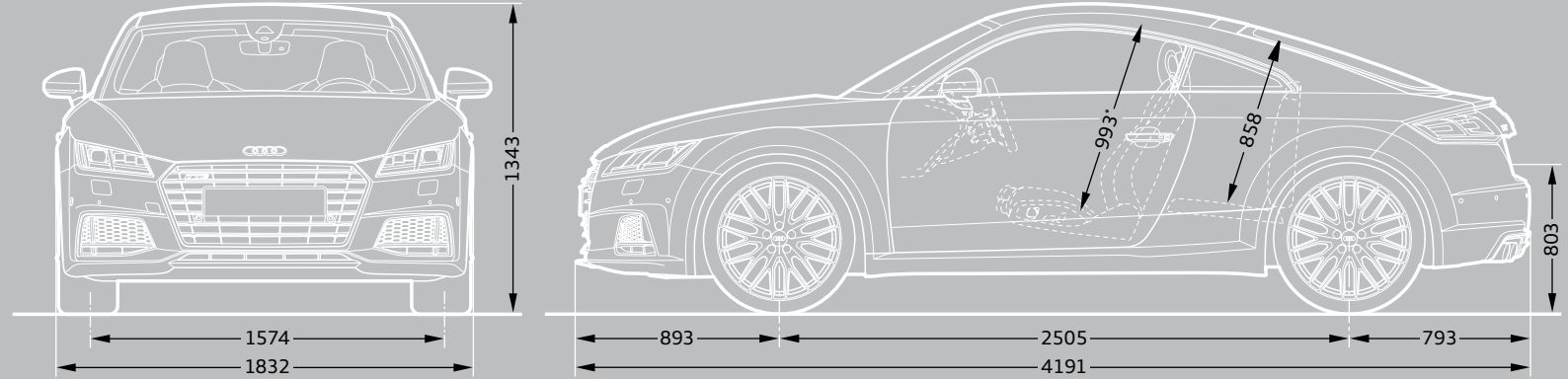
⁵Vehicle's unladen weight without driver (calculated in accordance with the current version of Directive 80/1268/EEC). The fitting of additional equipment may increase the vehicle's unladen weight and drag coefficient, whereupon the potential carrying capacity and top speed will be correspondingly reduced.

⁶The engine's power output always goes down with increasing altitude. At 1,000m above sea level, and for every additional 1,000m, deduct 10% from the weight of the outfit (trailer load limit + gross weight of the towing vehicle).



TTS Coupé dimensions

The technical drawings opposite show the exact dimensions of the Audi TTS Coupé, so you can check everything – from whether the car will fit in your garage to whether your luggage will fit in the boot.



Dimensions in millimetres. Optional equipment may affect dimensions.

*Maximum headroom.

**Elbow room width.

***Shoulder room width.

Turning circle approx 11m.

Dimensions were measured with vehicle at unladen weight, ground clearance measured with vehicle carrying its maximum load.

TT Roadster technical data

Engine	Petrol				Diesel
	1.8 TFSI	2.0 TFSI	2.0 TFSI	2.0 TFSI quattro	2.0 TDI ultra
Transmission	6-speed manual	6-speed manual	6-speed S tronic	6-speed S tronic	6-speed manual
Cylinder	4-cylinder	4-cylinder	4-cylinder	4-cylinder	4-cylinder
Displacement, cubic cm (valves per cylinder)	1798 (4)	1984 (4)	1984 (4)	1984 (4)	1968 (4)
Max. power ¹ , PS at rpm	180/5100-6200	230/4500-6200	230/4500-6200	230/4500-6200	184/3500-4000
Max. torque, Nm at rpm	250/1250-5000	370/1600-4300	370/1600-4300	370/1600-4300	380/1750-3250
Top speed ² , mph	147	155	155	155	147
0-62mph acceleration, seconds	7.2	6.2	6.1	5.6	7.3
CO ₂ emissions ³ , g/km	142	144	155	158	120
Benefit in kind (BIK)%	23%	23%	26%	26%	22%
Fuel consumption ³ , mpg (l/100km) Urban	36.7 (7.7)	36.7 (7.7)	32.8 (8.6)	32.5 (8.7)	52.3 (5.4)
Fuel consumption ³ , mpg (l/100km) Extra Urban	54.3 (5.2)	52.3 (5.4)	50.4 (5.6)	48.7 (5.8)	67.3 (4.2)
Fuel consumption ³ , mpg (l/100km) Combined	46.3 (6.1)	45.6 (6.2)	42.2 (6.7)	40.9 (6.9)	61.4 (4.6)
ABI insurance group 1-50 ⁴	35E	38E	38E	39E	36E
Unladen weight ⁴ , kg	1300	1320	1350	1425	1360
Gross weight limit, kg	1620	1640	1670	1745	1680
Luggage compartment capacity, litres	280	280	280	280	280
Fuel tank capacity approx, litres	50	50	50	55	50
Emission standard	EU6	EU6	EU6	EU6	EU6

¹Highest insurance group rating shown. Group may be lower dependent on trim level. Please visit thatcham.org/abigrouprating for details.

Please note: The maximum power output figures are quoted in PS (or Pferdestärke, which is the metric equivalent of brake horsepower). To convert to brake horsepower, divide the PS figure by 1.0139.

²The given value was obtained in accordance with the specified measurement procedure (the respective current version of the Directive 80/1269/EEC).

³Top speed is achieved in top gear.

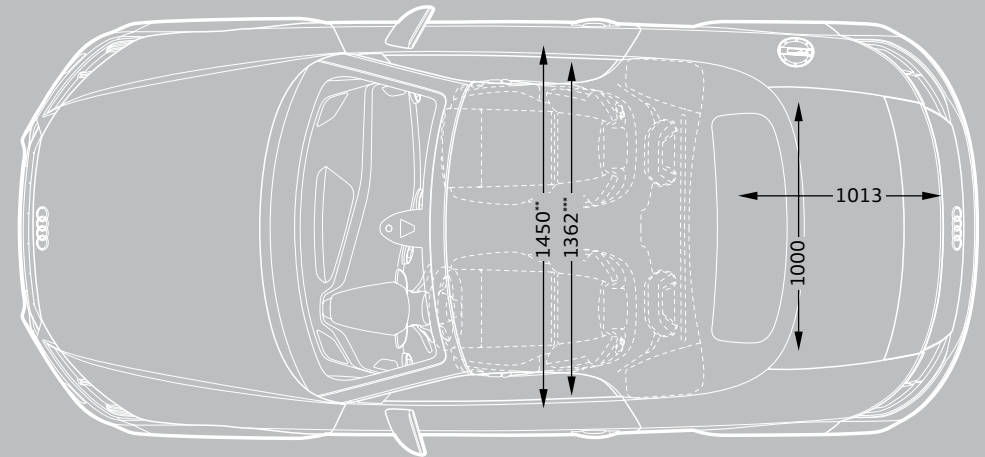
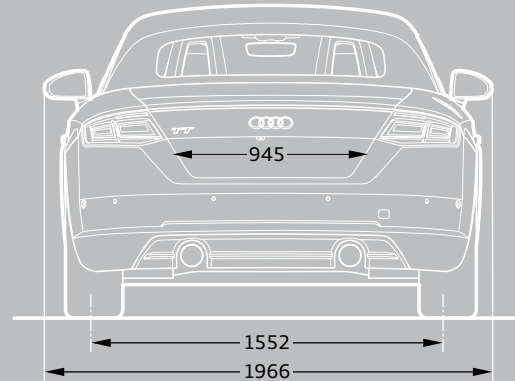
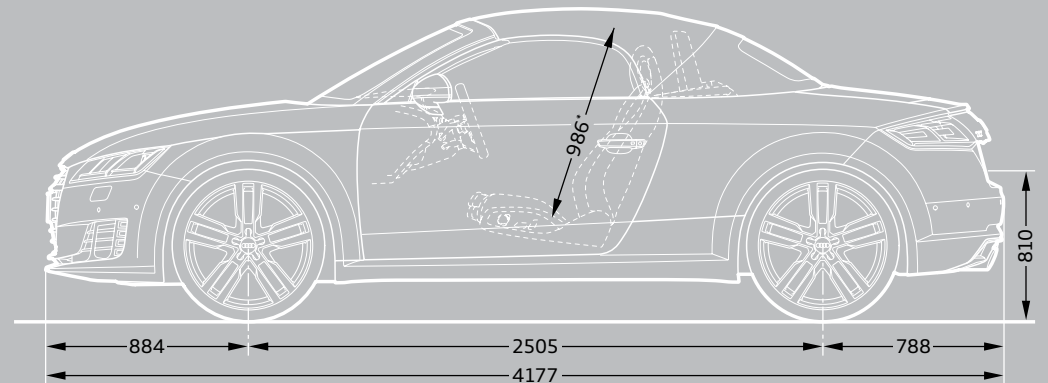
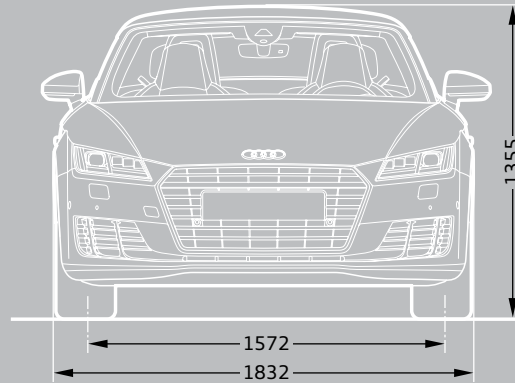
⁴Fuel consumption and CO₂ emissions figures are obtained under standardised test conditions (Directive 93/116/EEC) using a representative model. This allows direct comparison between different models from different manufacturers, but may not represent the actual fuel consumption achieved in 'real world' driving conditions. More information is available at dft.gov.uk/vca

⁵Vehicle's unladen weight without driver (calculated in accordance with the current version of Directive 80/1268/EEC). The fitting of additional equipment may increase the vehicle's unladen weight and drag coefficient, whereupon the potential carrying capacity and top speed will be correspondingly reduced.

⁶The engine's power output always goes down with increasing altitude. At 1,000m above sea level, and for every additional 1,000m, deduct 10% from the weight of the outfit (trailer load limit + gross weight of the towing vehicle).

TT Roadster dimensions

The technical drawings opposite show the exact dimensions of the Audi TT Roadster, so you can check everything – from whether the car will fit in your garage to whether your luggage will fit in the boot.



Dimensions in millimetres. Optional equipment may affect dimensions.

*Maximum headroom.

**Elbow room width.

***Shoulder room width.

Turning circle approx 11m.

Dimensions were measured with vehicle at unladen weight, ground clearance measured with vehicle carrying its maximum load.

TTS Roadster technical data

	Petrol	
	2.0 TTS quattro	2.0 TTS quattro
Engine	2.0 TTS quattro	2.0 TTS quattro
Transmission	6-speed manual	6-speed S tronic
Cylinder	4-cylinder	4-cylinder
Displacement, cubic cm (valves per cylinder)	1984 (4)	1984 (4)
Max. power ¹ , PS at rpm	310/5800-6200	310/5800-6200
Max. torque, Nm at rpm	380/1800-5700	380/1800-5700
Top speed ² , mph	155	155
0-62mph acceleration, seconds	5.2	4.9
CO ₂ emissions ³ , g/km	173	163
Benefit in kind (BIK)%	29%	27%
Fuel consumption ³ , mpg (l/100km) Urban	29.7 (9.5)	32.8 (8.6)
Fuel consumption ³ , mpg (l/100km) Extra Urban	44.8 (6.3)	45.6 (6.2)
Fuel consumption ³ , mpg (l/100km) Combined	37.7 (7.5)	39.8 (7.1)
ABI insurance group 1-50 ⁴	43E	43E
Unladen weight ⁴ , kg	1450	1470
Gross weight limit, kg	1770	1790
Luggage compartment capacity, rear seats upright, litres	280	280
Fuel tank capacity approx, litres	55	55
Emission standard	EU6	EU6

¹Highest insurance group rating shown. Group may be lower dependent on trim level. Please visit thatcham.org/abigrouprating for details.

Please note: The maximum power output figures are quoted in PS (or Pferdestärke, which is the metric equivalent of brake horsepower). To convert to brake horsepower, divide the PS figure by 1.0139.

²The given value was obtained in accordance with the specified measurement procedure (the respective current version of the Directive 80/1269/EEC).

³Top speed is achieved in top gear.

⁴Fuel consumption and CO₂ emissions figures are obtained under standardised test conditions (Directive 93/116/EEC) using a representative model. This allows direct comparison between different models from different manufacturers, but may not represent the actual fuel consumption achieved in 'real world' driving conditions. More information is available at dft.gov.uk/vca

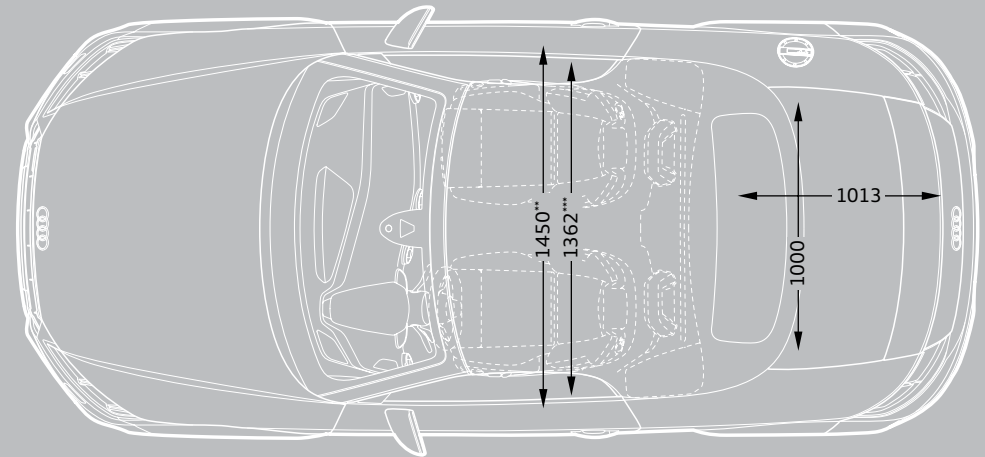
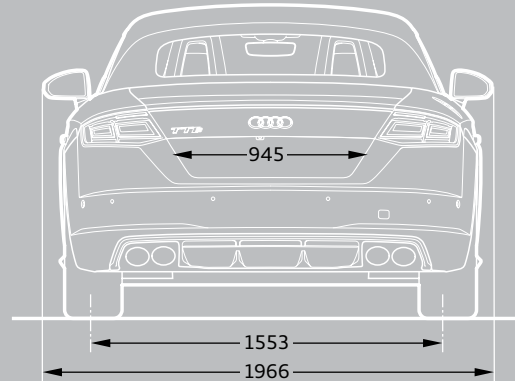
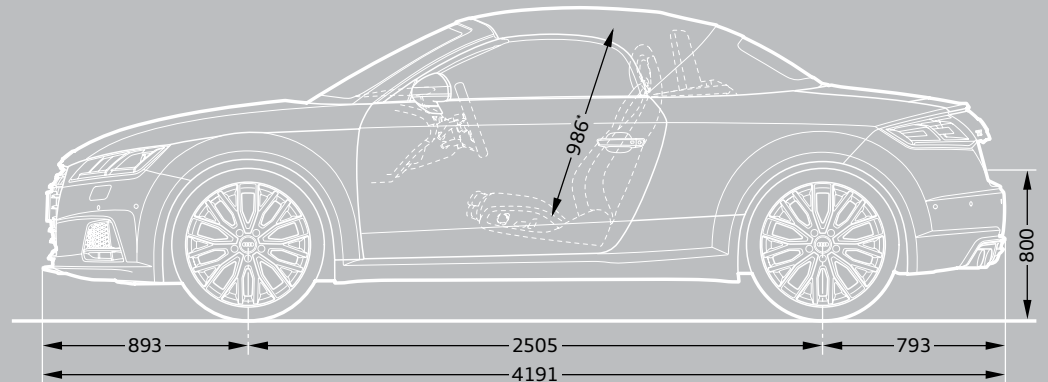
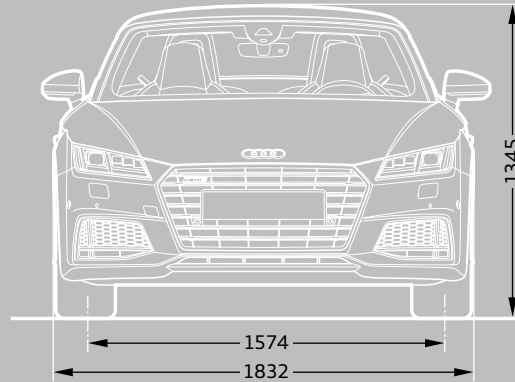
⁵Vehicle's unladen weight without driver (calculated in accordance with the current version of Directive 80/1268/EEC). The fitting of additional equipment may increase the vehicle's unladen weight and drag coefficient, whereupon the potential carrying capacity and top speed will be correspondingly reduced.

⁶The engine's power output always goes down with increasing altitude. At 1,000m above sea level, and for every additional 1,000m, deduct 10% from the weight of the outfit (trailer load limit + gross weight of the towing vehicle).



TTS Roadster dimensions

The technical drawings opposite show the exact dimensions of the Audi TTS Roadster, so you can check everything – from whether the car will fit in your garage to whether your luggage will fit in the boot.



Dimensions in millimetres. Optional equipment may affect dimensions.

*Maximum headroom.

**Elbow room width.

***Shoulder room width.

Turning circle approx 11m.

Dimensions were measured with vehicle at unladen weight, ground clearance measured with vehicle carrying its maximum load.

Pricing and Additional information

Welcome to Audi

By placing an order for your Audi, you're choosing to drive a car created in the spirit of Vorsprung durch Technik.

And because we believe the service we offer should reflect the quality of our cars, we want to let you know exactly what you can expect from us, now and in the future.

Audi Promise

Audi Centres

We guarantee that all our Centres will be open as follows:

Sales: Monday to Friday 9am–6pm
Saturday 9am–5pm

Service: Monday to Friday 8am–6pm
Saturday 8.30am–1pm

Sunday opening is at local discretion.

New car delivery

Once we've confirmed a delivery date for your car, we'll keep you informed of progress. Subject to reasonable notice, we'll then deliver it to a place of your choice, whether that's your home or work. In the unlikely event of a delay, we'll provide a courtesy car to minimise inconvenience and keep you mobile.

Information in this guide

We've done all we can to make the prices, specifications, technical details and all other information you see in this guide accurate at the time of publication. However, as our products are constantly being updated, we recommend checking the details with your Audi Centre. We reserve the right to change prices or specifications at any time.

All prices are subject to VAT, currently charged at 20%, but this may alter to reflect any change in the applicable VAT rate.

Delivery charges and number plates are not included in the Total RRP inc VAT vehicle price.

Delivery charge	£504.99
Number plate	£20.00
VAT	£105.01
Total	£630.00

Recommended On-The-Road (OTR) prices include the delivery and number plate charges above, Road Fund Licence (which may vary depending on model/transmission – see table for details) and first registration fee at £55.00.

The images featured in this guide are for illustrative purposes only. They may feature left-hand drive vehicles and include equipment that is not UK specification.

Audi Customer Care

Every new Audi benefits from the comprehensive Audi Customer Care Package, which comprises:

- ▶ A 3-year Audi warranty, which covers you for unlimited mileage in the first 2 years of ownership, with a full mechanical and electrical warranty which covers you for up to 60,000 miles in the 3rd year
- ▶ A 3-year paint warranty
- ▶ A 12-year anti-corrosion warranty
- ▶ 3 years' UK roadside assistance and recovery

You also have the option when ordering your new car of choosing a 4-year or 5-year Audi warranty. Speak to a member of the sales team for more information.

Warranty terms and conditions apply. Please see audi.co.uk/warrantyterms for further details.

Audi tax-free sales

If you are entitled to purchase a vehicle free of VAT, normally through military or diplomatic privilege, please contact your local Audi Centre for full details.

Should you have any difficulty obtaining the information you require, please call 0870 241 5663.

Audi Financial Services

Audi Financial Services specialises in providing funding solutions for Audi drivers. Whether your Audi is for private or business use, there is a range of funding options to choose from.

Below is the full range of finance products, which comprises:

- ▶ Solutions – a Personal Contract Plan
- ▶ Hire purchase
- ▶ Lease purchase
- ▶ Finance lease
- ▶ Contract hire

With all products, you can choose a fixed-cost maintenance plan designed to help you budget accurately.

No matter which Audi model you choose, your local Audi Centre can provide you with a personalised quote designed to fit your budget and motoring needs.

Audi Financial Services is a trading name of Volkswagen Financial Services (UK) Limited. An offer of finance depends on certain conditions. Available to people over 18 in the UK only.

Audi Insurance

To ensure you can start enjoying your new car from day one, the first five days' insurance is included as standard with all new Audi models. To activate simply call 0330 303 6900, provide us with a few details, and we'll send a cover note to your Audi Centre. They will then tax your car and you can drive it away. Telephone lines are open Monday to Friday 8am–8pm and Saturday 9am–4pm. For details of our full range of Insurance products visit insurewithaudi.co.uk

CO2 data and information

CO2 emissions-based Vehicle Excise Duty

Vehicle Excise Duty (Road Fund Licence) is based upon the amount of Carbon Dioxide (CO2) a vehicle emits, measured in grams per kilometre (g/km). First year VED rates apply to the first year of ownership. Annual VED rates apply thereafter. The DVLA has created thirteen categories:

Petrol and Diesel engines	First year	Annual rate (second year onwards)
A – up to 100g/km	£0.00	£0.00
B – 101 to 110g/km	£0.00	£20.00
C – 111 to 120g/km	£0.00	£30.00
D – 121 to 130g/km	£0.00	£110.00
E – 131 to 140g/km	£130.00	£130.00
F – 141 to 150g/km	£145.00	£145.00
G – 151 to 165g/km	£180.00	£180.00
H – 166 to 175g/km	£295.00	£205.00
I – 176 to 185g/km	£350.00	£225.00
J – 186 to 200g/km	£490.00	£265.00
K – 201 to 225g/km	£640.00	£290.00
L – 226 to 255g/km	£870.00	£490.00
M – over 255g/km	£1,100.00	£505.00

Vehicle Excise Duty (VED) rates correct at time of going to print, but these may alter to reflect any change in the applicable VED rate.

Audi Connect

An external data source is required to enable Audi Connect online services. One of two can be used:

1. A separate SIM card with data option (which can be inserted into the included SIM card reader). If LTE usage is required the SIM card will also need an LTE option. When a separate SIM card is used, hands-free phone calls are possible by connecting a different mobile telephone via Bluetooth Hands-Free Profile. For mobile phone and software compatibility please visit audi.co.uk/phonecompatibility or your Audi Centre.
2. On capable mobile phones the phone's data connection can be shared with the car via personal hotspot/tethering. Using this method may result in high consumption of your mobile phone battery.

Online services will only be available within the coverage of the mobile phone network; there may be additional costs for the use of these services (charges and billing correspond to the personal mobile phone contract or SIM card contract). Due to high data volumes, a mobile phone contract including an unlimited or high usage data plan is strongly recommended. The content and scope of the online-based services offered may vary.

When ordered as an option, a 36-month Audi Connect subscription is provided with your vehicle. The subscription runs from the point of vehicle delivery. Should you wish to continue to use Audi Connect after 36 months, please consult your Audi Centre for details (including the latest subscription fees).

Audi Connect services listed are correct at time of publication. We may add, change, replace or remove individual Audi Connect services or features at any time during your subscription.

Audi Connect enables access to the services of Google and Twitter. Permanent availability cannot be guaranteed as this is the responsibility of Google and Twitter. Google and the Google logo are registered trademarks of Google Inc.

The availability of services supported by Audi Connect varies from country to country and is dependent on the capability of your mobile phone. For mobile phone and software compatibility please visit audi.co.uk/phonecompatibility or your Audi Centre.

Map updates

The map version delivered can be updated with the first 5 updates which are issued at intervals of 6 months. The current navigation data can be downloaded from the myAudi Platform at audi.com/myaudi and installed in the vehicle via SD card. In addition it is possible to have the new navigation data installed by an Audi partner at extra cost.





Audi UK

Customer Services
Selectapost 29
Sheffield
S97 3FG
0800 699888
audi.co.uk

Information in this guide is subject
to change without notice.

© Audi (UK)

Printed in the UK
Edition 3.6 01/16
2016 model year

Images are for illustrative purposes only.

