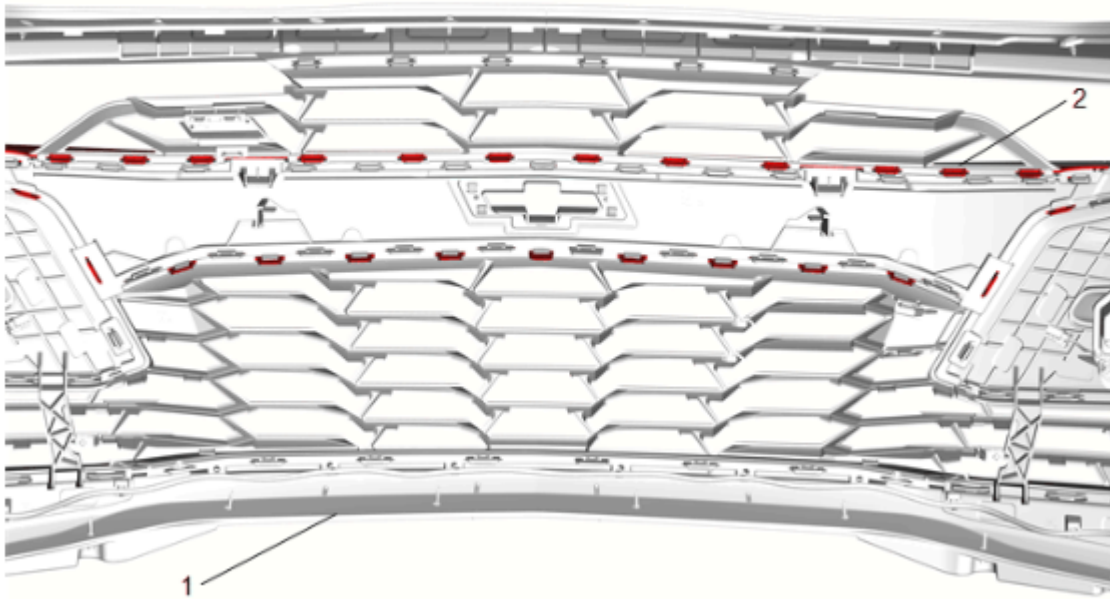


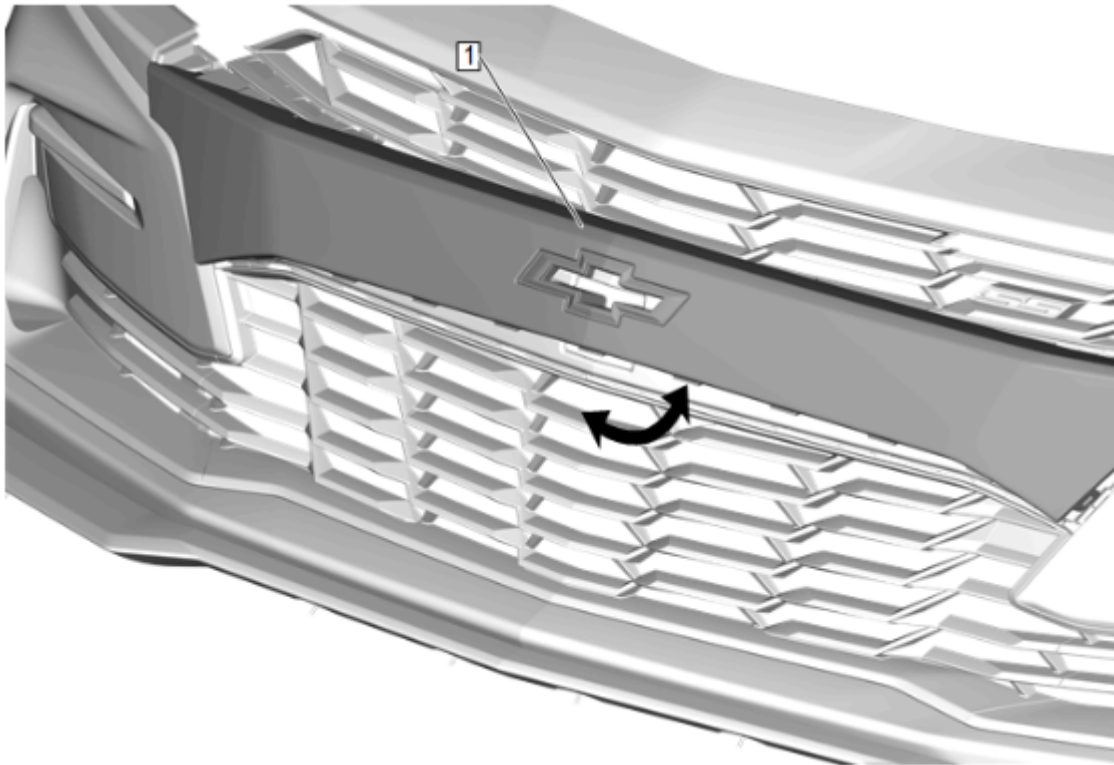
Front Bumper Guard Panel Replacement

Removal Procedure

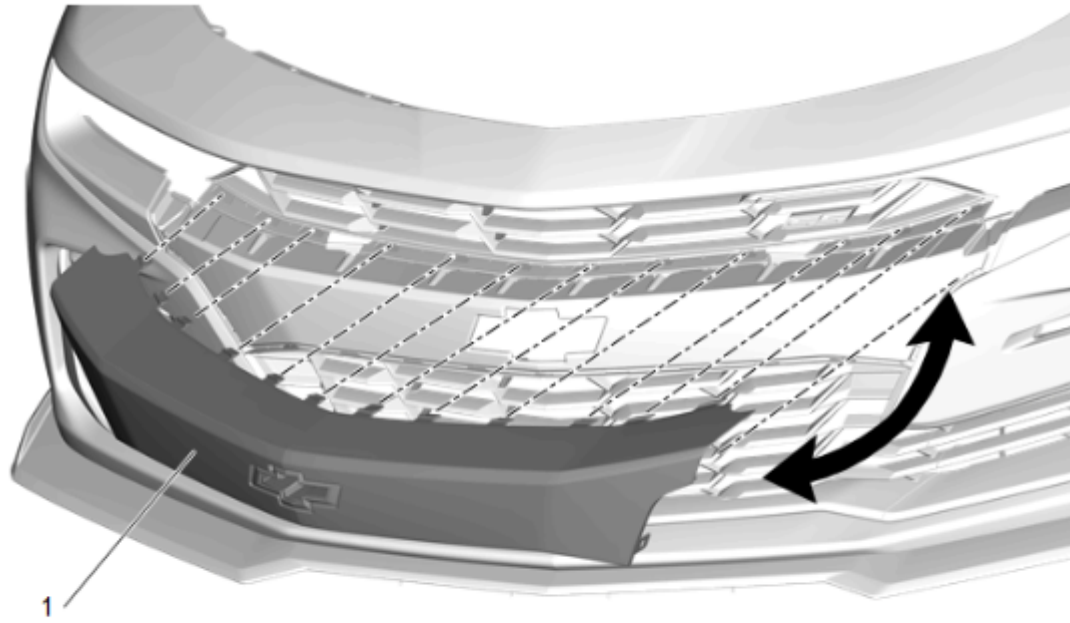
1. Front Bumper Fascia Energy Absorber » Remove [Front Bumper Fascia Energy Absorber Replacement](#)



2. Place the bumper fascia (1) face down on a clean protective surface.
3. Locate the front bumper guard panel retaining tabs (2).

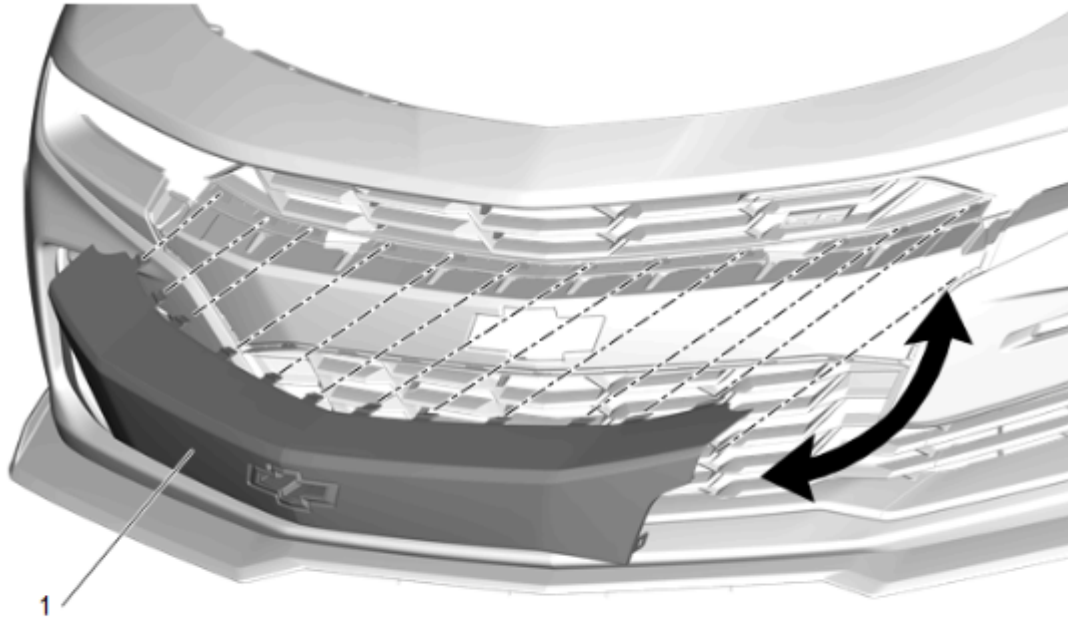


4. Release the lower and side retaining tabs of the front bumper guard panel (1) and pull up slightly.

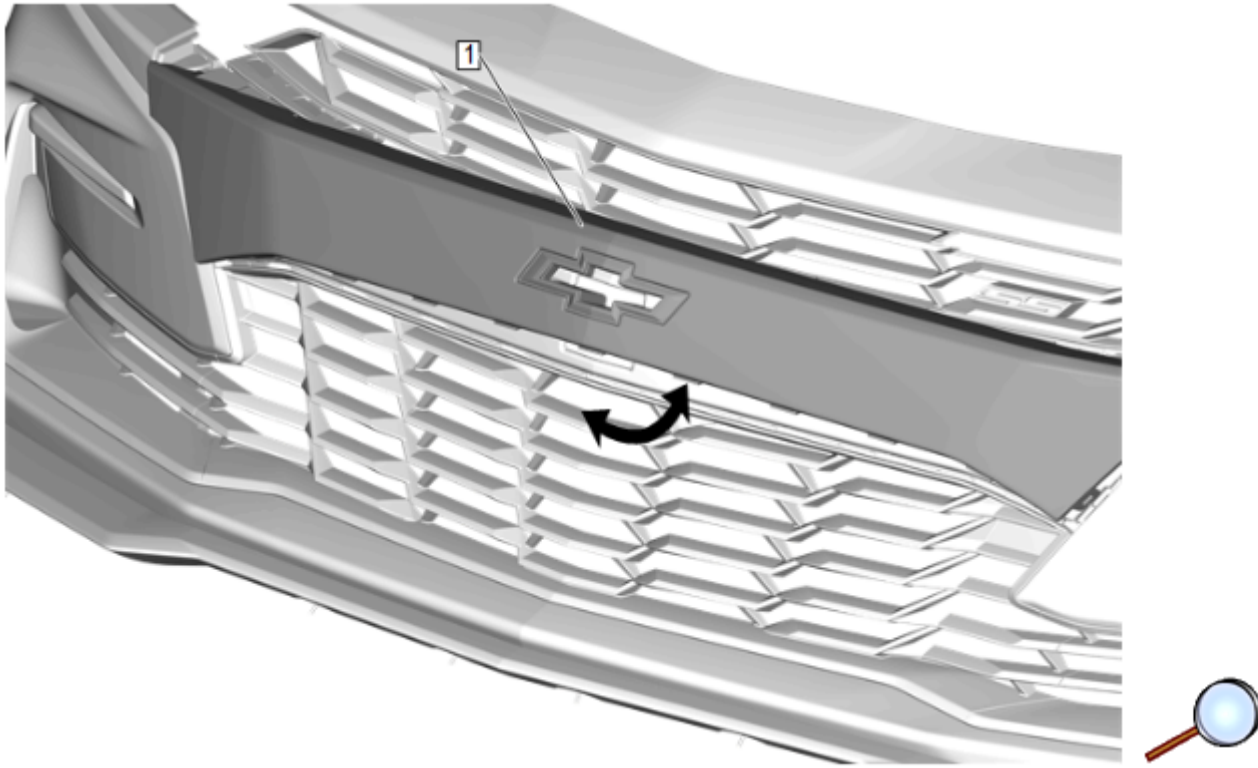


5. Starting on the top upper left or right corner, use the appropriate trim tool to release the first tab of the front bumper guard panel (1).
6. Pull the front bumper guard panel away from the front bumper fascia.

Installation Procedure



1. Front Bumper Guard Panel (1) » Install



2. Install the lower and side retaining tabs of the front bumper guard panel (1) to the fascia.
3. Front Bumper Fascia Energy Absorber » Install [Front Bumper Fascia Energy Absorber Replacement](#)