

DS-2CD2725FHWD-IZS 2 MP Ultra-Low Light Network Dome Camera



Key Features

- 1/2.8" Progressive Scan CMOS
- 1920 × 1080 resolution
- High frame rate
- Ultra-low light
- H.265, H.265+
- 120dB WDR
- IP67, IK10
- BLC/3D DNR/ROI
- Smart encoding: Support low bit rate, low latency
- 4 behavior analyses and face detection



Specifications

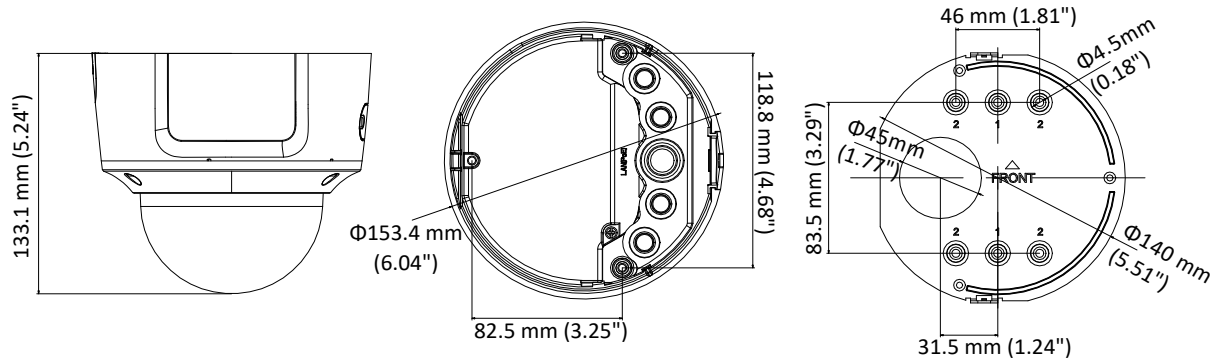
| Camera | |
|-----------------------------|--|
| Image Sensor | 1/2.8" Progressive Scan CMOS |
| Min. Illumination | Color: 0.005 Lux @ (F1.2, AGC ON), 0 Lux with IR Color: 0.0068 Lux @ (F1.4, AGC ON), 0 Lux with IR |
| Shutter Speed | 1/3 s to 1/100,000 s |
| Slow Shutter | Support |
| Day & Night | IR Cut Filter |
| Digital Noise Reduction | 3D DNR |
| WDR | 120dB |
| 3-Axis Adjustment | Pan: 0° to 355°, tilt: 0° to 75°, rotate: 0° to 355° |
| Lens | |
| Focal length | 2.8 to 12 mm |
| Aperture | F1.4 |
| FOV | Horizontal field of view: 105° to 35° Vertical field of view: 56° to 20° Diagonal field of view: 126° to 40.5° |
| Lens Mount | Ø14 |
| IR | |
| IR Range | Up to 30 m |
| Wavelength | 850nm |
| Compression Standard | |
| Video Compression | Main stream: H.265+/H.265/H.264+/H.264 Sub stream: H.265/H.264/MJPEG Third stream: H.265/H.264 |
| H.264 Type | Main Profile/High Profile |
| H.265 Type | Main Profile |
| Video Bit Rate | 32 Kbps to 16 Mbps |
| Audio Compression | G722.1/G711ulaw/G711alaw/G726/MP2L2/PCM |
| Audio Bit Rate | 64Kbps(G.711)/16Kbps(G.722.1)/16Kbps(G.726)/32-192Kbps(MP2L2) |
| Smart Feature-set | |
| Behavior Analysis | Line crossing detection, intrusion detection, unattended baggage detection, object removal detection |
| Face Detection | Support |
| Region of Interest | Support 1 fixed region for main stream and sub stream |
| Image | |
| Max. Resolution | 1920 × 1080 |
| Main Stream | 50Hz: 50fps (1920 × 1080, 1280 × 960, 1280×720) 60Hz: 60fps (1920 × 1080, 1280 × 960, 1280×720) |
| Sub Stream | 50Hz: 25fps (640 × 360, 352 × 288) 60Hz: 30fps (640 × 360, 352 × 240) |
| Third Stream | 50Hz: 25fps (1920 × 1080, 1280×720, 640 × 360, 352 × 288) 60Hz: 30fps (1920 × 1080, 1280×720, 640 × 360, 352 × 240) |
| Image Enhancement | BLC/3D DNR |
| Image Setting | Rotate mode, saturation, brightness, contrast, sharpness adjustable by client software or web browser |

| | |
|-------------------------------|---|
| Day/Night Switch | Auto/Schedule/Triggered by Alarm In |
| Network | |
| Network Storage | Support Micro SD/SDHC/SDXC card (128G), local storage and NAS (NFS,SMB/CIFS), ANR |
| Alarm Trigger | Motion detection, video tampering, network disconnected, IP address conflict, illegal login, HDD full, HDD error, Alarm input, Alarm output |
| Protocols | TCP/IP, ICMP, HTTP, HTTPS, FTP, DHCP, DNS, DDNS, RTP, RTSP, RTCP, PPPoE, NTP, UPnP, SMTP, SNMP, IGMP, 802.1X, QoS, IPv6, Bonjour |
| General Function | One-key reset, anti-flicker, three streams, heartbeat, password protection, privacy mask, watermark, IP address filter |
| API | ONVIF (PROFILE S, PROFILE G), ISAPI |
| Simultaneous Live View | Up to 6 channels |
| User/Host | Up to 32 users 3 levels: Administrator, Operator and User |
| Client | iVMS-4200, Hik-Connect, iVMS-5200 |
| Web Browser | IE8+, Chrome 31.0-44, Firefox 30.0-51, Safari 8.0+ |
| Interface | |
| Audio | 1 input (line in, 3.5 mm), 1 output(3.5 mm), single track |
| Communication Interface | 1 RJ45 10M/100M self-adaptive Ethernet port |
| Alarm | 1 input, 1 output (max. 12 VDC, 30 mA) |
| Video Output | 1Vp-p composite output (75 Ω/BNC) |
| On-board storage | Built-in Micro SD/SDHC/SDXC slot, up to 128 GB |
| SVC | H.264 and H.265 encoding |
| Reset Button | Support |
| Audio | |
| Environment Noise Filtering | Support |
| Audio Sampling Rate | 8kHz/16kHz/32kHz/44.1kHz/48kHz |
| General | |
| Operating Conditions | -30 °C to +60 °C (-22 °F to +140 °F), Humidity 95% or less (non-condensing) |
| Power Supply | 12 VDC ± 25%, PoE (802.3af) Terminal block for DC input |
| Power Consumption and Current | 12 VDC, 0.75A, max. 9.5W PoE (802.3af, 36V to 57V), 0.3A to 0.1A, max. 11W |
| Protection Level | IP67, IK10 TVS 2000V Lightning Protection, Surge Protection and Voltage Transient Protection |
| Material | Metal |
| Dimensions | Φ153.4 × 133.1 mm (Φ6.04" × 5.24") |
| Weight | Camera: 1287 g (2.84 lb.) |

Available Model:

DS-2CD2725FHWD-IZS

Dimensions



Accessories



DS-1471ZJ-155
Pendant Mount



DS-1473ZJ-155
Wall Mount



DS-1475ZJ-SUS
Vertical Pole Mount



DS-1476ZJ-SUS
Corner Mount

Distributed by



HIKVISION

Headquarters

No.555 Qianmo Road, Binjiang District,
Hangzhou 310051, China
T +86-571-8807-5998
overseasbusiness@hikvision.com

Hikvision USA
T +1-909-895-0400
sales.usa@hikvision.com

Hikvision Europe
T +31-23-55-42-770
info.eu@hikvision.com

Hikvision Middle East
T +971-4-8816086
salesme@hikvision.com

Hikvision Russia
T +7-495-669-67-99
saleru@hikvision.com

Hikvision India
T +91-22-28469900
sales@pramahikvision.com

Hikvision Italy
T +39-0438-6902
info.it@hikvision.com

Hikvision France
T +33(0)1-85-330-450
info.fr@hikvision.com

Hikvision Spain
T +34-91-737-16-55
info.es@hikvision.com

Hikvision Poland
T +48-22-460-01-50
poland@hikvision.com

Hikvision UK
T +01628-902140
support.uk@hikvision.com

Hikvision Singapore
T +65-6684-4718
sg@hikvision.com

Hikvision Oceania
T +61-2-8599-4233
salesau@hikvision.com

Hikvision Canada
T +1-909-895-0400
sales.usa@hikvision.com

Hikvision Korea
T +82-31-731-8841
sales.korea@hikvision.com

Hikvision Brazil
T +55 11 3318-0050
Latam.support@hikvision.com

Hikvision Africa
T +27 (10) 0351172
sale.africa@hikvision.com

Hikvision Hong Kong
T +852-2151-1761