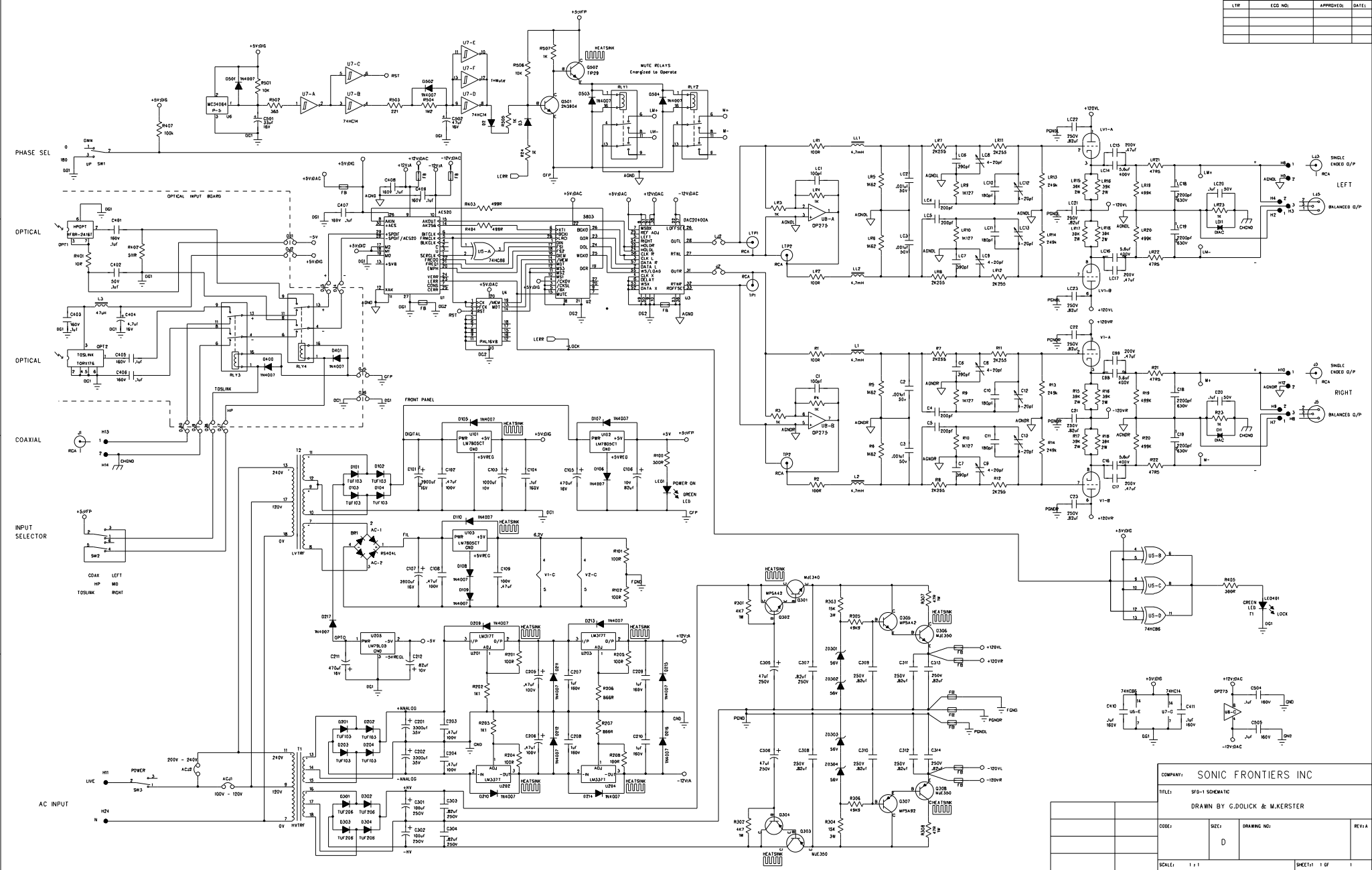


REVISION RECORD			
LT#	ECO. NO.	APPROVED:	DATE:



COMPANY: SONIC FRONTIERS INC  
 TITLE: SFD-1 SCHEMATIC  
 DRAWN BY: G.DOLICK & M.KERSTER  
 CODE:      DATE:      DRAWING NO:      REV: A  
 D  
 SCALE: 1 : 1      SHEET: 1 OF 1