

INNOVATION & TECHNOLOGY

**SOAR**  
**TRG**

14+

ACHTUNG:  
Nicht für Kinder unter 14 Monaten  
geeignet. (Zusätzl. Hinweise, die  
umschaltl. werden können,  
Einschaltungseinst.)



**998**  
**INSTRUCTION**  
**MANUAL**

**TD1-R**

*Designed  
by Racers  
For the racer*



**SOARSEIKI .Co.,Ltd**

[info@soarseiki.com](mailto:info@soarseiki.com)

# INDEX

<b>INTRODUCTION</b>		<b>01</b>
<b>SYMBOLS USED</b>		<b>04</b>
<b>BAGS A1</b>	Front Diff Installation Rear Diff Installation	<b>05</b>
<b>BAGS A2</b>	Center Diff Installation	<b>06</b>
<b>BAGS B1</b>	FRONT TRANSMISSION	<b>07-09</b>
<b>BAGS B2</b>	FRONT TRANSMISSION FRONT SUSPENSION	<b>10-12</b>
<b>BAGS C1</b>	REAR TRANSMISSION REAR SUSPENSION	<b>13-15</b>
<b>BAGS C2</b>	REAR TRANSMISSION REAR SUSPENSION	<b>16-17</b>
<b>BAGS D</b>	CHASSIS BRACE AND WING SLAY	<b>18</b>
<b>BAGS E</b>	STEERING	<b>19-20</b>
<b>BAGS F</b>	CENTER DIFF & BRAKE	<b>21-22</b>
<b>BAGS G</b>	FRONT/CENTER/REAR ASSEMBLY	<b>23-24</b>
<b>BAGS H</b>	ENGINE&FUEL TANK	<b>25-27</b>
<b>BAGS I</b>	RADIO CASE	<b>28-29</b>
<b>BAGS J</b>	SHOCK ABSORBERS	<b>30</b>
<b>BAGS K</b>	FINAL ASSEMBLY	<b>31-34</b>

# INSTRUCTION

Soar998 is a modern, high-competition extraordinary racing 1/8 nitro buggy that is the epitome of high-performance and fine distinctive design. Soar998 will present to you the highest performance, responsive handling, and extraordinary quality, engineering and fabulous design. The splendid craftsmanship and attention to detail are clearly evident everywhere from Soar998.

Soar998 was designed around a no compromise stage; Soar Seiki creates a low maintenance, extra-long life nitro buggy; namely, Soar998. The ultra-low center of gravity (CG) and optimized weight balance makes set-up, driving, and maintenance easy and quick.

Soar998 was created by multiple highest-quality materials and excellent design as aforesaid. On high-speed flat tracks or bumpy tracks, whether driving for fun or racing to win, the Soar998 deliver outstanding performance, speed, and excellent precision handling. We have made all our effort to make these instructions as easily as possible. If you have any difficulties, problems or questions, please do not hesitate to contact Soar Seiki supported team-group at [info@soarseiki.com](mailto:info@soarseiki.com).

Please also come to visit our web site at <http://www.soar-rc.com/> and <http://www.soarseiki.com/> to find our latest news, option parts, and all other types of merchandise. We will do our best to take care all the need request from our honored customers who support us worldwide.

## WARRANTY

Soar Seiki Model Racing Cars guarantee this model kit to be free from defects in both material and workmanship within 30 days of purchase. The total monetary value under warranty will in no case exceed the cost of the original kit purchased. This warranty does not cover any components damaged by use or modification or as a result of wear. Part or parts missing from this kit must be reported within 30 days of purchase. No part or parts will be sent under warranty without proof of purchase. Should you find a defective or missing part, please contact the local distributor. Service and customer support will be provided through local hobby store where you have purchased the kit, therefore make sure to purchase any Soar Seiki products at your local hobby store. This model racing car is considered to be a high-performance racing vehicle. As such vehicle will be used in an extreme range of conditions and situations, all which may cause premature wear or failure of any component. Soar Seiki has no control over usage of vehicles once they leave the dealer, therefore Soar Seiki can only offer warranty against all manufacturer's defects in materials, workmanship, and assembly at point of sale and before use. No warranties are expressed or implied that cover damage caused by what is considered normal use, or cover or imply how long any model cars' components or electronic components will last before requiring replacement. Due to the high performance level of this model car you will need to periodically maintain and replace consumable components. Any and all warranty coverage will not cover replacement of any part or component damaged by neglect,

## QUALITY CERTIFICATE

SOAR SEIKI use only the highest quality materials and the best components for molded parts and the most sophisticated manufacturing processes of TQM (Total Quality Management). We guarantee that all parts of a newly-purchased kit are manufactured with the highest quality. Nevertheless, due to the many factors inherent in model race car

**Failure to follow these instructions will be considered as abuse and/or neglect.**

## R/C & BUILDING TIPS

- Make sure all fasteners are properly tightened. Check them periodically.
- Make sure that chassis screws do not protrude from the chassis.
- For the best performance, it is very important that great care is taken to ensure the free movement of all parts.
- Clean all ball-bearings so they move very easily and freely.
- Tap or pre-thread the plastic parts when threading screws.
- Self-tapping screws cut threads into the parts when being tightened. Do not use excessive force when tightening the self-tapping screws because you may strip out the thread in the plastic. We recommend you stop tightening a screw when you feel some resistance.

## IMPORTANT NOTES – GENERAL

- This product is not suitable for children under 16 years of age without the direct supervision of a responsible and knowledgeable adult.
- Carefully read all manufacturer-warnings and cautions for all parts used in the construction and use of your model/product.
- Assemble this kit only in places away from the reach of young children.
- First-time builders and users should seek advice from people who have building/combining experience in order to assemble the model/product correctly and to allow the model to reach its performance potential.
- Exercise care when using tools and sharp instruments.
- Be aware that when building, as some parts may have sharp edges.
- Keep small parts out of reach of small children. Children must not be allowed to put any parts in their mouth, or pull vinyl bag over their head.
- Read and follow instructions supplied with paints and/or cement, if used (not included in kit).
- After using your model, do NOT touch equipment on the model such as the motor and speed controller basing on they generate high temperatures. You may seriously burn yourself seriously touching them.

## CUSTOMER SUPPORT

We have made all-out effort to make the instructions of Soar998 as easily to understand. Please do not hesitate to contact our Soar Seiki supported team-group at [info@soarseiki.com](mailto:info@soarseiki.com). Please also come to visit our Website at <http://www.soar-rc.com/> and <http://www.soarseiki.com/> to find our latest news, option parts, and all other types of merchandise. We will do our best to take care all the need request from our honored customers who support us worldwide. You can also join Soar Seiki fans and enthusiasts in our online community at:

## Soar Seiki Co., Ltd.

Address:

No.163-1, Zhongsha Rd., Dadu Dist.,  
Taichung City 432,  
Taiwan (R.O.C.)

Email: [info@soarseiki.com](mailto:info@soarseiki.com)

abuse, or improper or unreasonable use. This includes but not limited to damage from crashing, chemical and/or water damage, excessive moisture, improper using or no maintenance, or user modifications which compromise the integrity of components. Warranty will not cover components that are considered consumable on RC vehicles. Soar Seiki do not pay nor refund shipping on any component sent to Soar Seiki or its distributors for warranty. Soar Seiki reserve the right to make the final determination of the warranty status of any component or part.

### Limitations of Liability

Soar Seiki make no other warranties expressed or implied. Soar Seiki shall not be liable for any loss, injury or damages, whether direct, indirect, special, incidental, or consequential, arising from the use, misuse, or abuse of this product and/or any product or accessory required to operate this product. In no case shall Soar Seiki's liability exceed the monetary value of this product. Take adequate safety precautions prior to operating this model. You are responsible for this model's assembly and safe operation. Disregard of the any of the above cautions may lead to accidents, personal injury, or property damage. SOAR SEIKI assume no responsibility for any injury, damage, or misuse of this product during assembly or operation, nor any addictions that may arise from the use of this product.

competition, we cannot guarantee all parts upon starting racing the car. Products which have been worn out, abused, neglected or improperly operated will not be covered under warranty.

We wish your enjoyment of this high-quality and high-performance RC car and wish your best success on the track!

- Ask your local hobby shop for any advice.

Please support your local hobby shop. We at Soar Seiki Model Racing Cars support all local hobby dealers. Therefore we ask you, if at all possible, to purchase Soar Seiki products at your hobby dealer and give them your support like we do. If you have difficulty finding Soar Seiki products, please check out our website <http://www.soar-rc.com/> and <http://www.soarseiki.com/> to get advice, or contact us via email at [info@soarseiki.com](mailto:info@soarseiki.com), or contact the Soar Seiki distributor in your country.

- Follow the operating instructions for the radio equipment at all times.
- Do not put fingers or any objects inside rotating and moving parts, as this may cause damage or serious injury as your finger, hair, clothes, etc.
- Be sure that your operating frequency is clear before turning on or running your model, and never share the same frequency with somebody else at the same time. Ensure that others are aware of the operating frequency you are using and when you are using it.
- Use a transmitter designed for ground using with RC cars. Make sure that no one else is using the same frequency as yours in your operating area. Using the same frequency at the same time, whether it is driving, flying or sailing, can cause loss of control of the RC model, resulting in a serious accident.
- Always turn on your transmitter before you turn on the receiver in the car. Always turn off the receiver before turning your transmitter off.
- Tap or pre-thread the plastic parts when threading screws.

# INSTRUCTION

- Self-tapping screws cut threads into the parts when being tightened. Do not use excessive force when tightening the self-tapping screws because you may strip out the thread in the plastic. We recommend you stop tightening a screw when you feel some resistance.
- Ask your local hobby shop for any advice.  
Please support your local hobby shop. We at Soar Seiki Model Racing Cars support all local hobby dealers. Therefore we ask you, if at all possible, to purchase Soar Seiki products at your hobby dealer and give them your support like we do. If you have difficulty finding Soar Seiki products, please check out our website <http://www.soar-rc.com/> and <http://www.soarseiki.com/> to get advice, or contact us via email at [info@soarseiki.com](mailto:info@soarseiki.com), or contact the Soar Seiki distributor in your country.
- Keep the wheels of the model off the ground when checking the operation of the radio equipment.
- Disconnect the battery pack before storing your model.
- When learning to operate your model, go to an area that has no obstacles if your model suffers a collision.
- Remove any sand, mud, dirt, grass or water before putting your model away.
- If the model behaves strange, immediately stop the model, check and resolve the problem.
- To prevent any serious personal injury and/or damage to property, be responsible when operating all remote controlled models.

## IMPORTANT NOTES – NITRO ENGINES

- Always test the brakes and the throttle before starting your engine to avoid losing control of the model.
- Make sure the air filter is clean and oiled.
- Never run your engine without an air filter. Your engine can be seriously damaged if dirt and debris get inside to it.

## IMPORTANT NOTES – ELECTRICAL

- Insulate any exposed electrical wiring (using heat shrink tubing or electrical tape) to prevent dangerous short circuits. Take maximum care in wiring, connecting and insulating cables. Make sure cables are always connected securely. Check connectors for if they become loose. And if so, reconnect them securely. Never use R/C models with damaged wires. A damaged wire is extremely dangerous, and can cause short-circuits resulting in fire. Please prepare wires repaired at your local hobby shop.
- Low battery power will result in loss of control. Loss of control can occur due to a weak battery in either the transmitter or the receiver. Weak running battery may also result in an out of control car if your car's receiver power is supplied by the running battery. Stop operation immediately if the car starts to slow down.
- When not using RC model, always disconnect and remove battery.
- Do not disassemble battery or cut battery cables. If the running battery short-circuits, approximately 300W of electricity can be discharged, leading to fire or burns. Never disassemble battery or cut battery cables.

## IMPORTANT NOTES – NITRO FUEL

- Handle fuel only outdoors. Never handle nitro fuel indoors, or mix nitro fuel in a place where ventilation is bad.
- Only use nitro fuel for R/C models. Do not use gasoline or kerosene in R/C models as it may cause a fire or explosion, and destroy your engine.
- Nitro fuel is highly inflammable, explosive, and poisonous. Never use fuel indoors or in places with open fires and any kind of sources of heat.
- Always keep the fuel container cap tightly shut.
- Always read the warning label on the fuel container for safety information/reference.
- Nitro-powered model engines emit poisonous vapors and gasses. These vapors irritate eyes and can be highly dangerous to your health. We recommend wearing rubber or vinyl gloves to avoid direct contact with nitro fuel.
- Nitro fuel for RC model cars is made of the combination of the methyl alcohol, castor or synthetic oil, nitro methane etc. The flammability and volatility of these elements is very high, so be very careful during handling and storage of nitro fuel.

- The model car is not intended for use on public places and roads or areas where its operation conflict with or disrupt pedestrian or vehicular traffic.
- The model car is controlled by radio, it is subject to radio interference from many sources that are beyond your control. Since radio interference can cause momentary loss of control, always allow a safety margin in all directions around the model in order to prevent collisions.
- Do not use your model:
  - Near real cars, animals, or people that are unaware that an RC car is being driven.
  - In places where children and people gather
  - In residential districts and parks
  - In limited indoor spaces
  - In wet conditions
  - In the street
  - In areas where loud noises can disturb others, such as hospitals and residential areas.
  - At night or anytime your line of sight to the model may be obstructed or impaired in any way.

- For proper engine break-in, please refer to the manual that came with the engine.
- Do not run near open flames or smoke while running your model or while handling fuel.
- Some parts will be hot after operation. Do not touch the exhaust or the engine until they have cooled. These parts may reach 275°F during operation!

- Use a recommended charger for the receiver and transmitter batteries and follow the instructions correctly and carefully. Over-charging, incorrect charging, or using inferior chargers can cause the batteries to become dangerously hot. Recharge battery when it is necessary. Continual recharging may damage battery and, in the worst case, could build up heat leading to fire. If battery becomes extremely hot during recharging, please ask your local hobby shop to check and/or repair and/or replacement.
- Regularly check the charger for potential hazards such as damage to the cable, plug, casing or other defects. Ensure that any damage is rectified before using the charger again. Modifying the charger may cause short-circuit or overcharging leading to a serious accident. Therefore do not modify the charger.

- Keep nitro fuel away from open flame, sources of heat, direct sunlight, high temperatures, or near batteries.
- Store fuel in a cool, dry, dark, well-ventilated place, away from heating devices, open flames, direct sunlight, or batteries. Keep nitro fuel away from children.
- Do not leave the fuel in the carburetor or fuel tank when the model is not in use. It is danger that the fuel may leak out.
- Wipe up any spilled fuel with a cloth.
- Be care of spilled or leaking fuel. Fuel leaks can cause fires or explosions.
- Do not dispose of fuel or empty fuel containers in a fire. There is danger of explosion.

**In view of our policy of continuous product improvement,  
the exact specifications/parts of the kit may change.**

**In the unlikely event of any problems with your new kit,  
please kindly contact the model shop where you purchased it, quoting the part number to search.**

**We do reserve all rights to change any specifications/parts without prior notice.**

**All rights reserved.**

# SYMBOLS USED

Part bags used



Assemble in the specified order



Assemble left and right sides the same way



Assemble front and rear the same way



Cut off remaining material



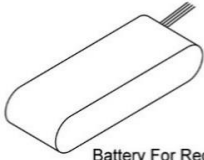
Assemble as many times as specified (here twice)



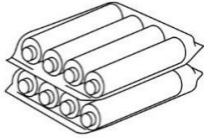
Apply instant glue



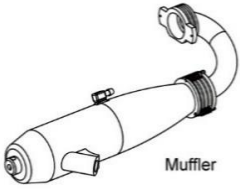
## Additional Items Needed For Completion



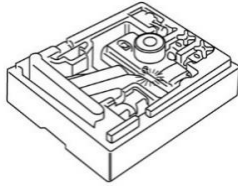
Battery For Receiver



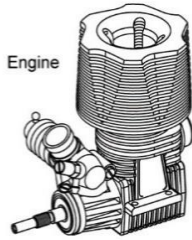
Battery For Transmitter



Muffler



2 Channel Radio

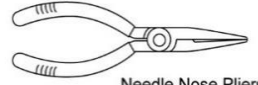


Engine

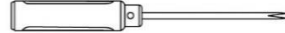
## Tools needed To Assemble



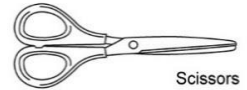
Hex Wrenches



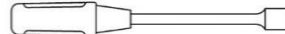
Needle Nose Pliers



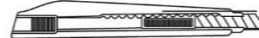
Phillips Type Screw Driver



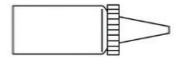
Scissors



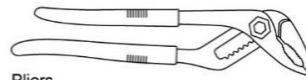
Box Wrench (5.5mm / 7mm / 10mm)



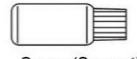
Hobby Knife



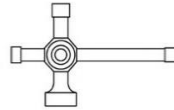
Instant Glue



Pliers



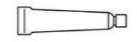
Screw (Sement)



Utility Wrench



Glass or Vinyl Tape



Rubber Glue

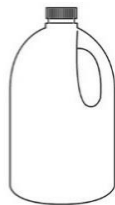
## Additional Items Needed For Starting



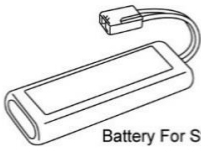
Air Filter Oil



Fuel Pump



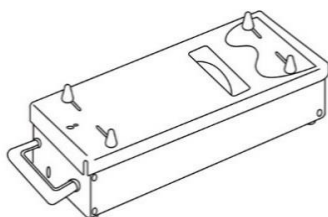
Fuel



Battery For Starter Box

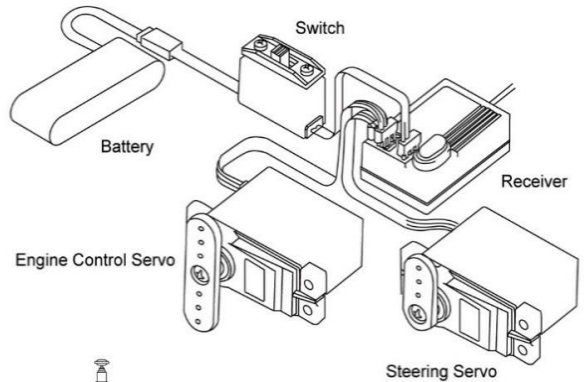


Glow Plug Ignitor



Starter Box

## Items Needed To Control Car



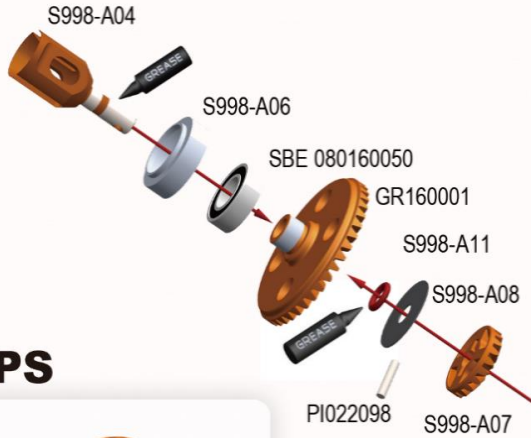
Transmitter

## BAGS A1

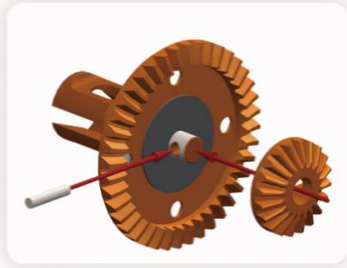


### STEP A1-1

Front and rear diff

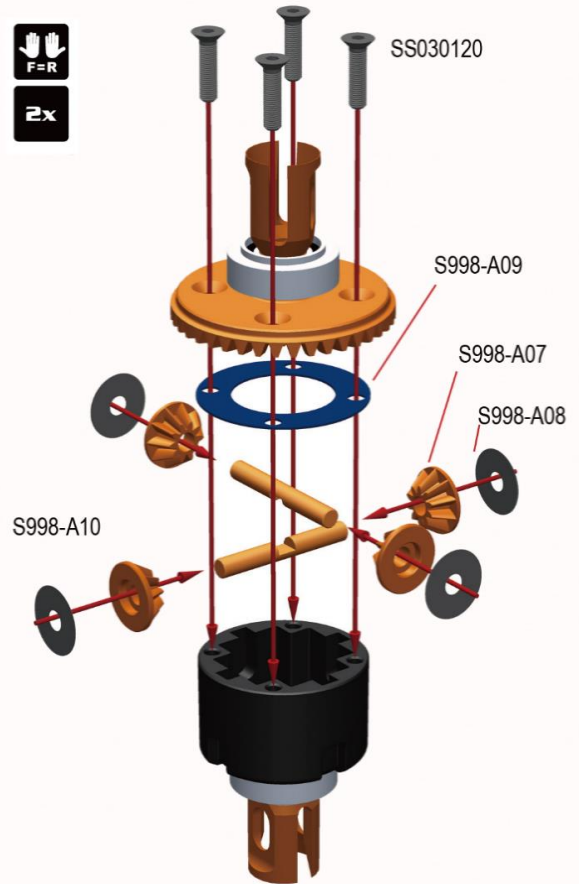


### TIPS



### STEP A1-3

Front and rear diff



### TIPS

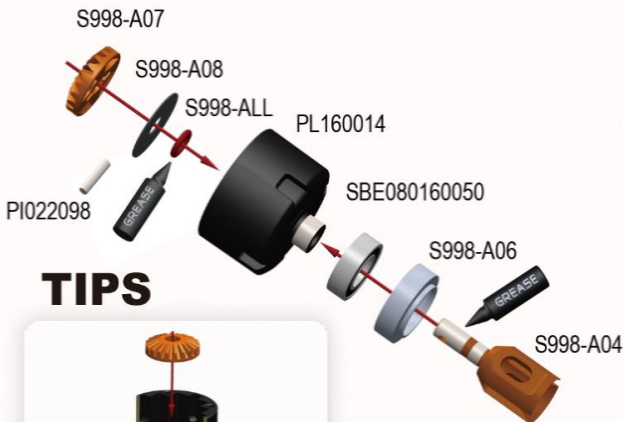


Front diff 7000 cts  
Rear diff 1000 cts

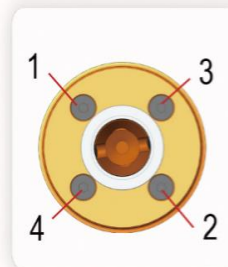


### STEP A1-2

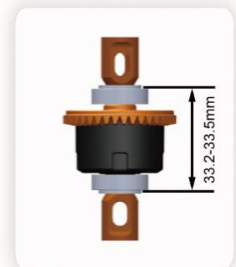
Front and rear diff



### TIPS



Finish Tightening in this order



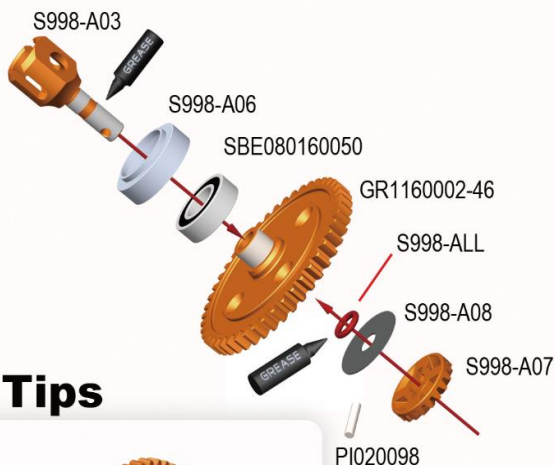
After assemble the differential should have a length of 33.2-33.5 mm measured from the end of ball bearings caps. If differential is longer, re-tighten the 4 screws holdin' the spur gear.

## BAGS A2

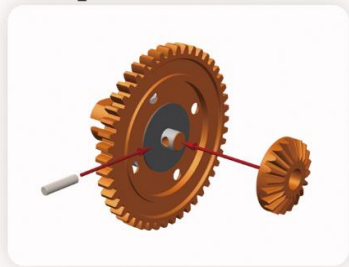


### STEP A2-1

Center diff

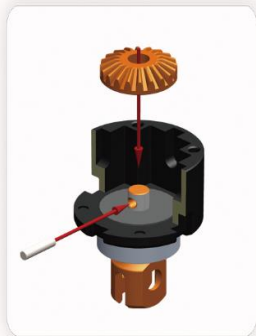
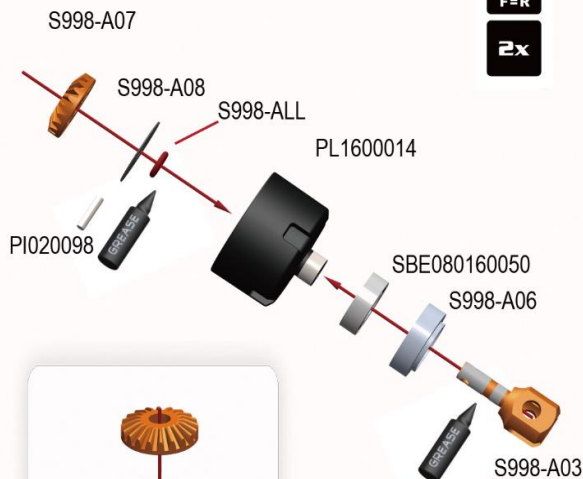


#### Tips



### STEP A2-2

Center diff

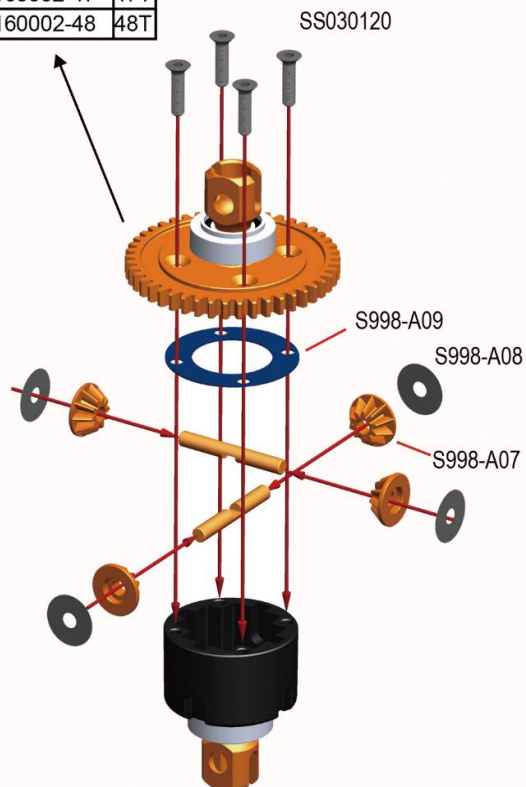


### STEP A2-3

Center diff



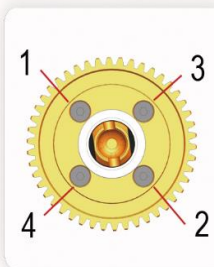
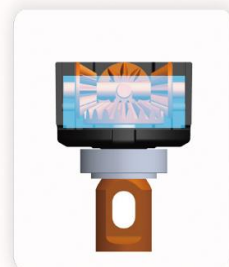
OPTIONS	
GR160002-44	44T
GR160002-45	45T
GR160002-46	46T
GR160002-47	47T
GR160002-48	48T



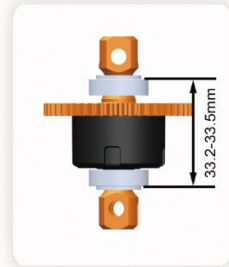
#### Tips



Center diff 5000 cts



Finish Tightening in this order

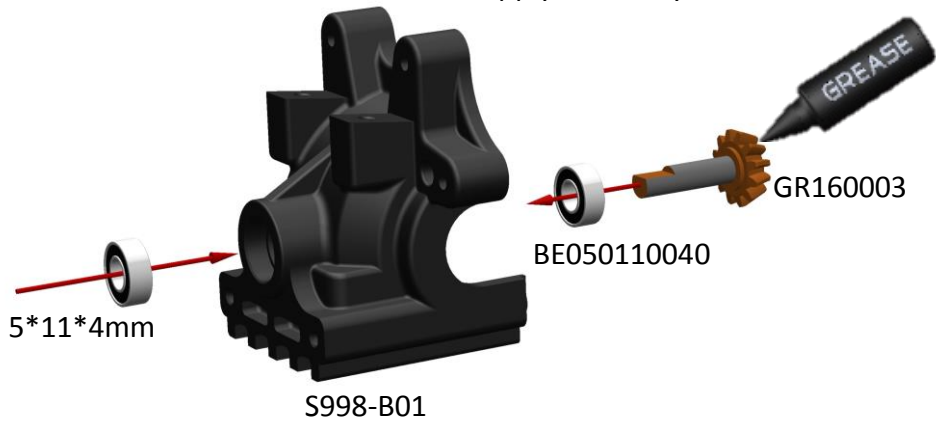


After assemble the differential should have a length of 33.2-33.5 mm measured from the end of ball bearings caps. If differential is longer, re-tighten the 4 screws holding the spur gear.

# BAGS B1 FRONT TRANSMISSION

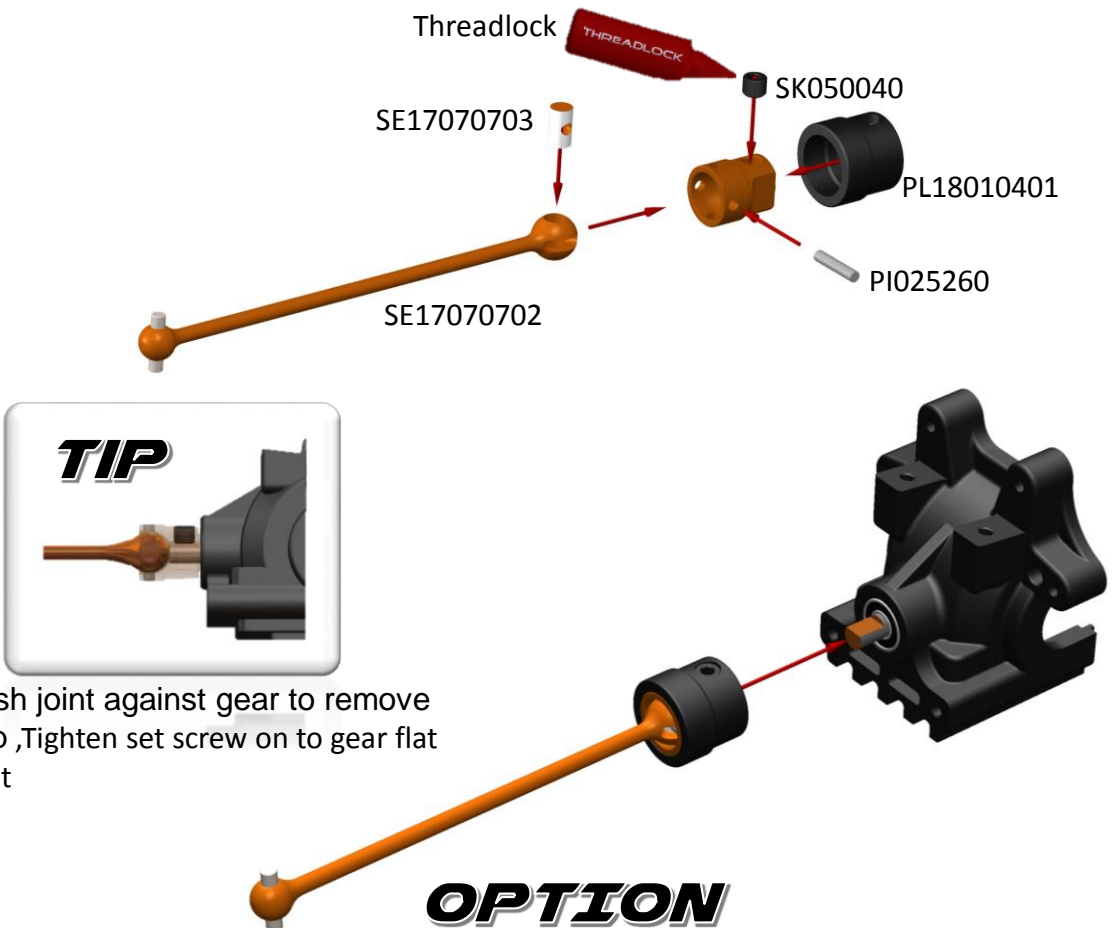
## STEP B1-1

Apply a thin layer of lubricant on the gear.



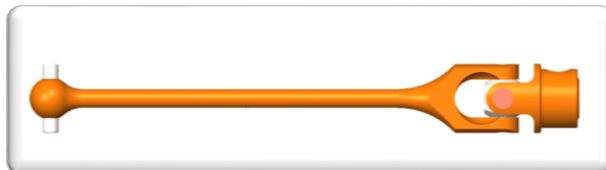
## STEP B1-2

### SE17072002 TD1R CENTER REAR 98mm CVD SET



### SE160003 998 103mm Front Center Universal Swing Shaft Set

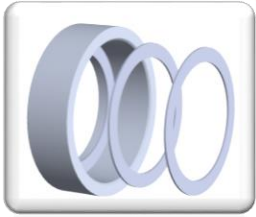
The use of Optional Universals is suitable for very bumpy conditions.



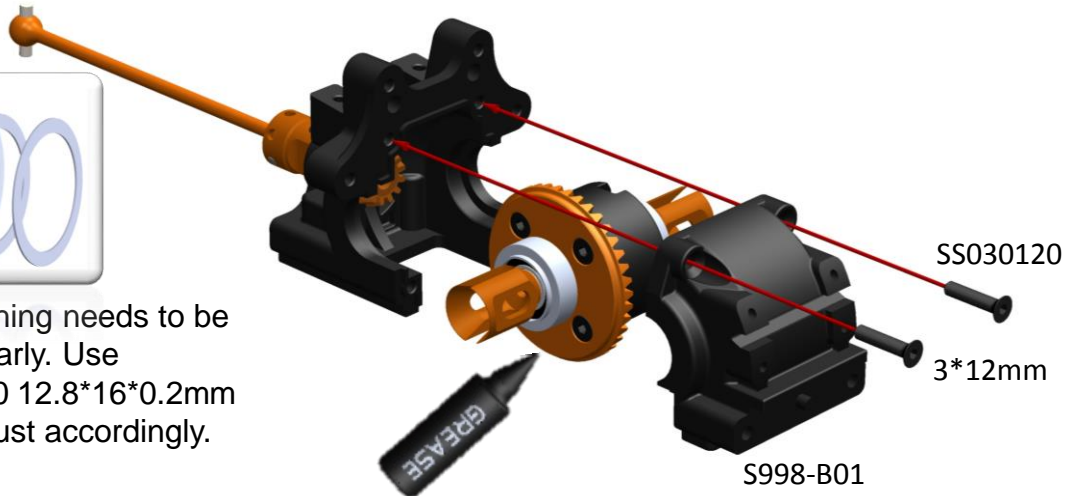


# BAGS BI FRONT TRANSMISSION

## STEP B1-3

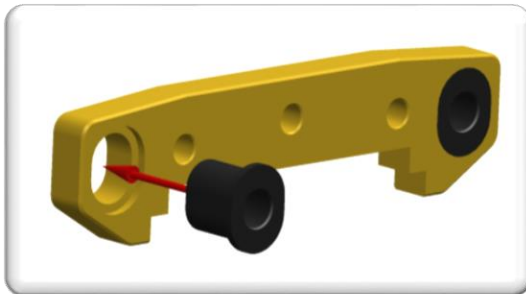


The gear meshing needs to be checked regularly. Use WS128160020 12.8\*16\*0.2mm Washer to adjust accordingly.



Apply a thin layer of lubricant on the gear.

## STEP B1-4



The inserts are considered expendables, especially the front inserts, which have to withstand the constant knocks thus they will need to be changed more often.

**OPTION**

AL17101101

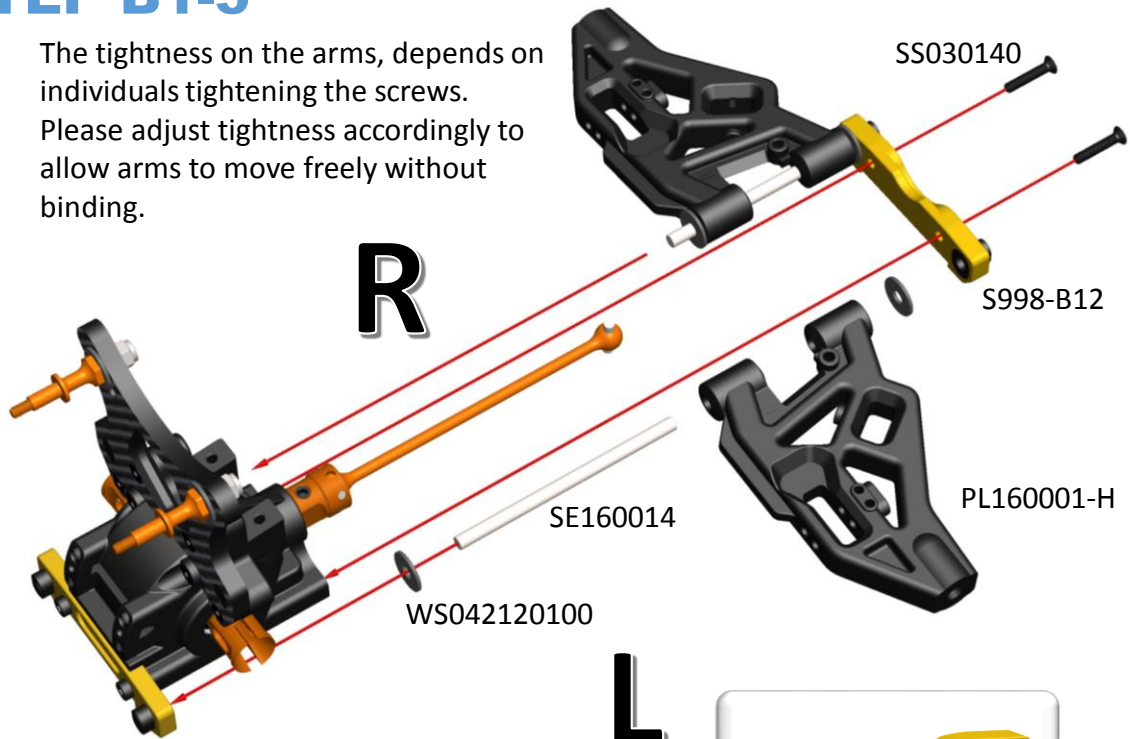


**7079-T651**

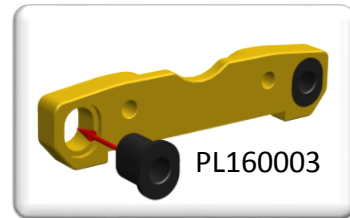
# BAGS B1 FRONT SUSPENSION

## STEP B1-5

The tightness on the arms, depends on individuals tightening the screws. Please adjust tightness accordingly to allow arms to move freely without binding.



L

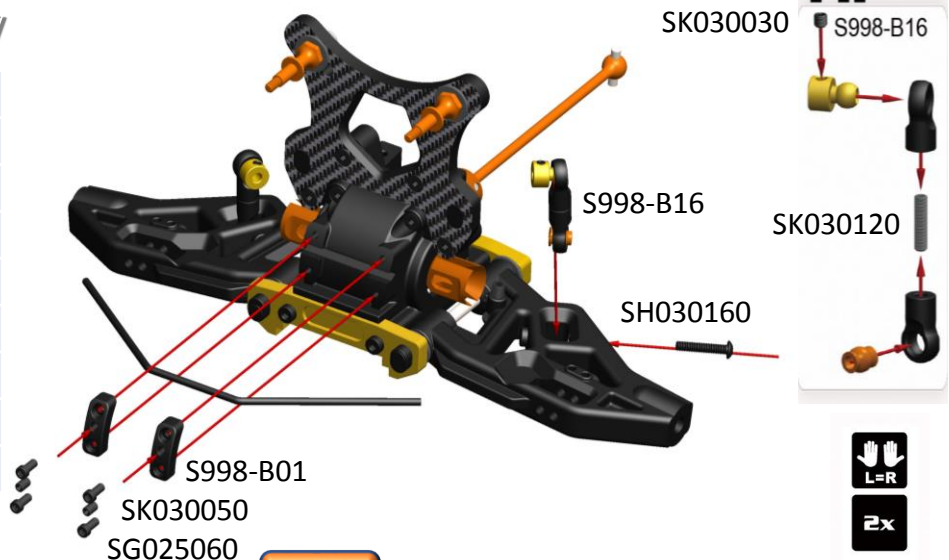


The inserts are considered expendables, especially the front inserts, which have to withstand the constant knocks thus they will need to be changed more often.

## STEP B1-6

### OPTION

SP160001-18	Ø1.8mm
SP160001-19	Ø1.9mm
SP160001-20	Ø2.0mm
SP160001-21	Ø2.1mm
SP160001-22	Ø2.2mm
SP160001-23	Ø2.3mm
SP160001-24	Ø2.4mm
SP160001-25	Ø2.5mm
SP160001-26	Ø2.6mm

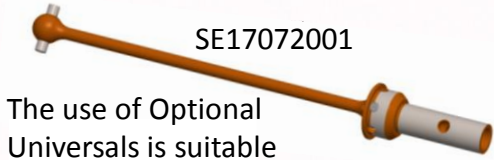


# BAGS B2 FRONT SUSPENSION

## BAGS B2

### STEP B2-1

Steering Block

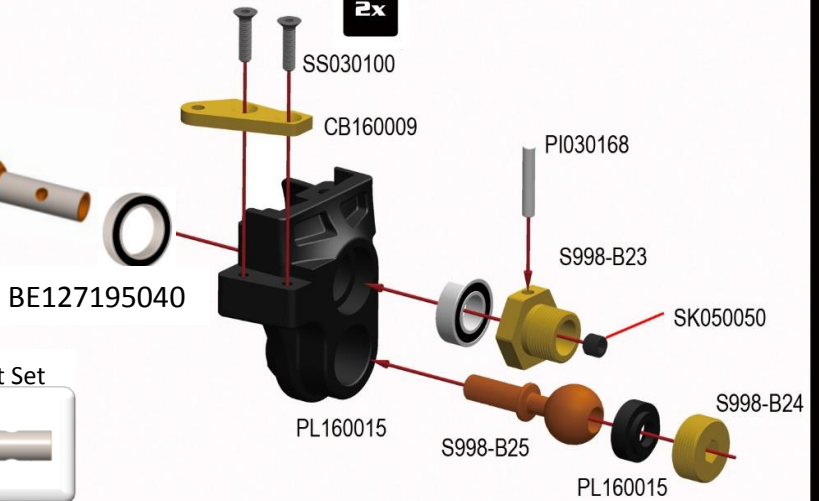


SE17072001

The use of Optional Universals is suitable for very bumpy conditions.

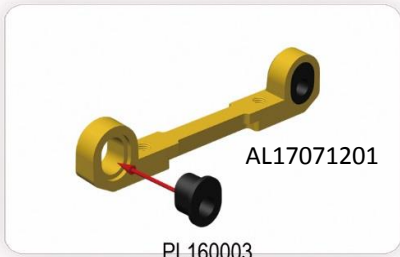
### OPTION

SE160001 998 F/R Universal Swing Shaft Set



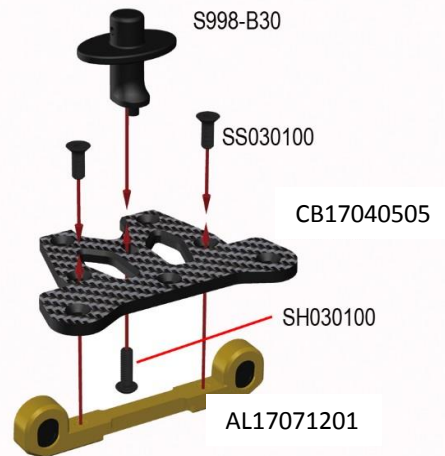
### STEP B2-2

Front Support plate



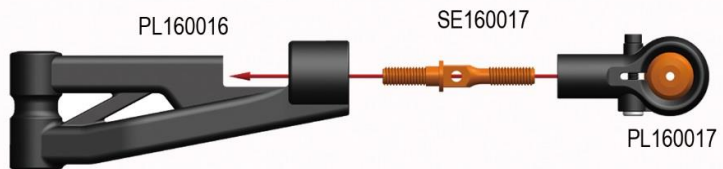
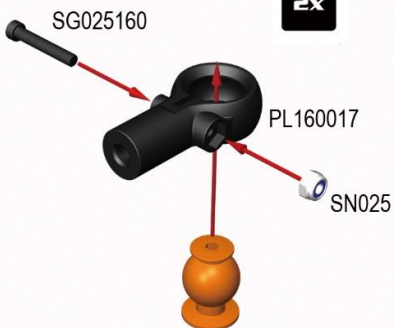
AL17071201

PL160003



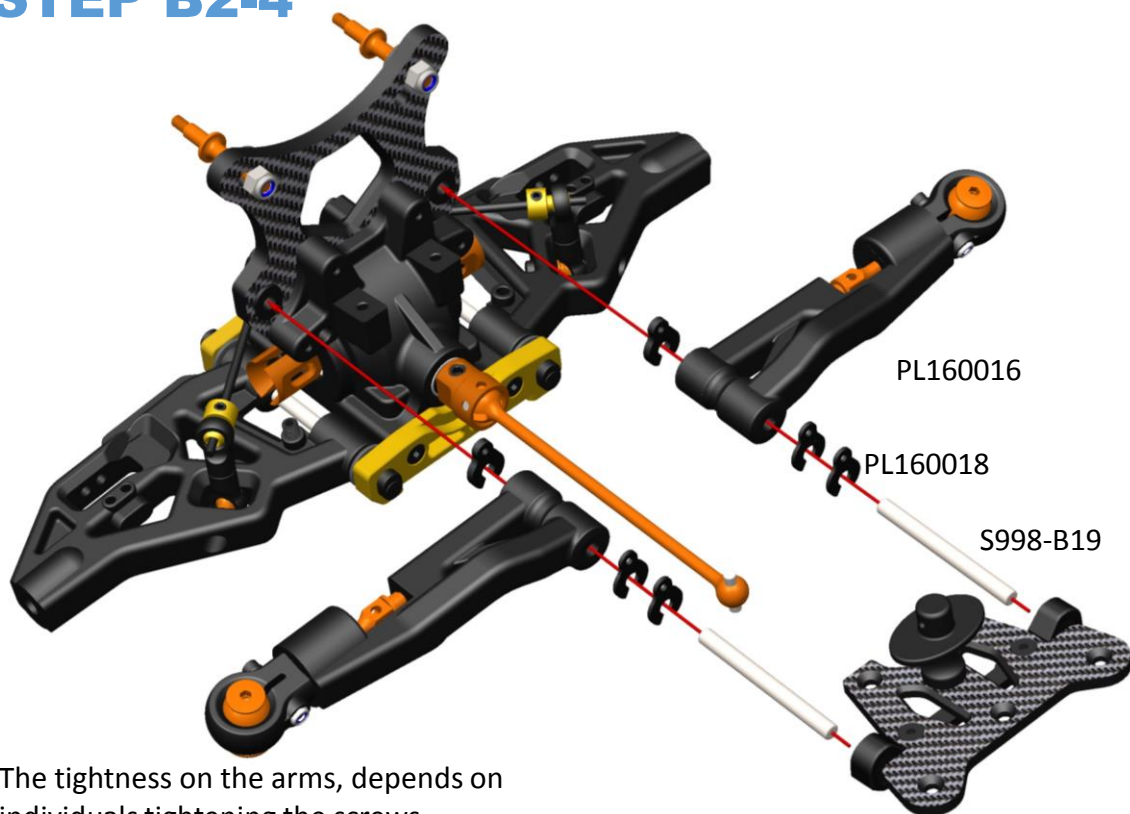
### STEP B2-3

Front Upper Arm



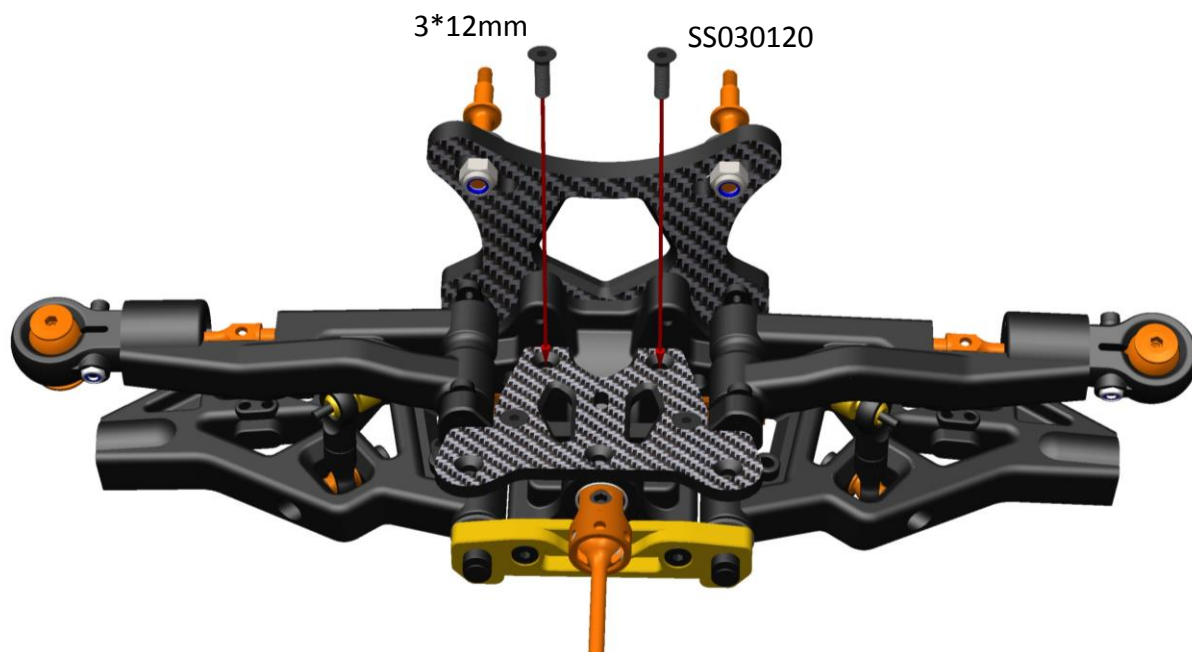
## BAGS B2 FRONT SUSPENSION

### STEP B2-4



The tightness on the arms, depends on individuals tightening the screws. Please adjust tightness accordingly to allow arms to move freely without binding.

### STEP B2-5



# BAGS B2 FRONT SUSPENSION

## STEP B2-6

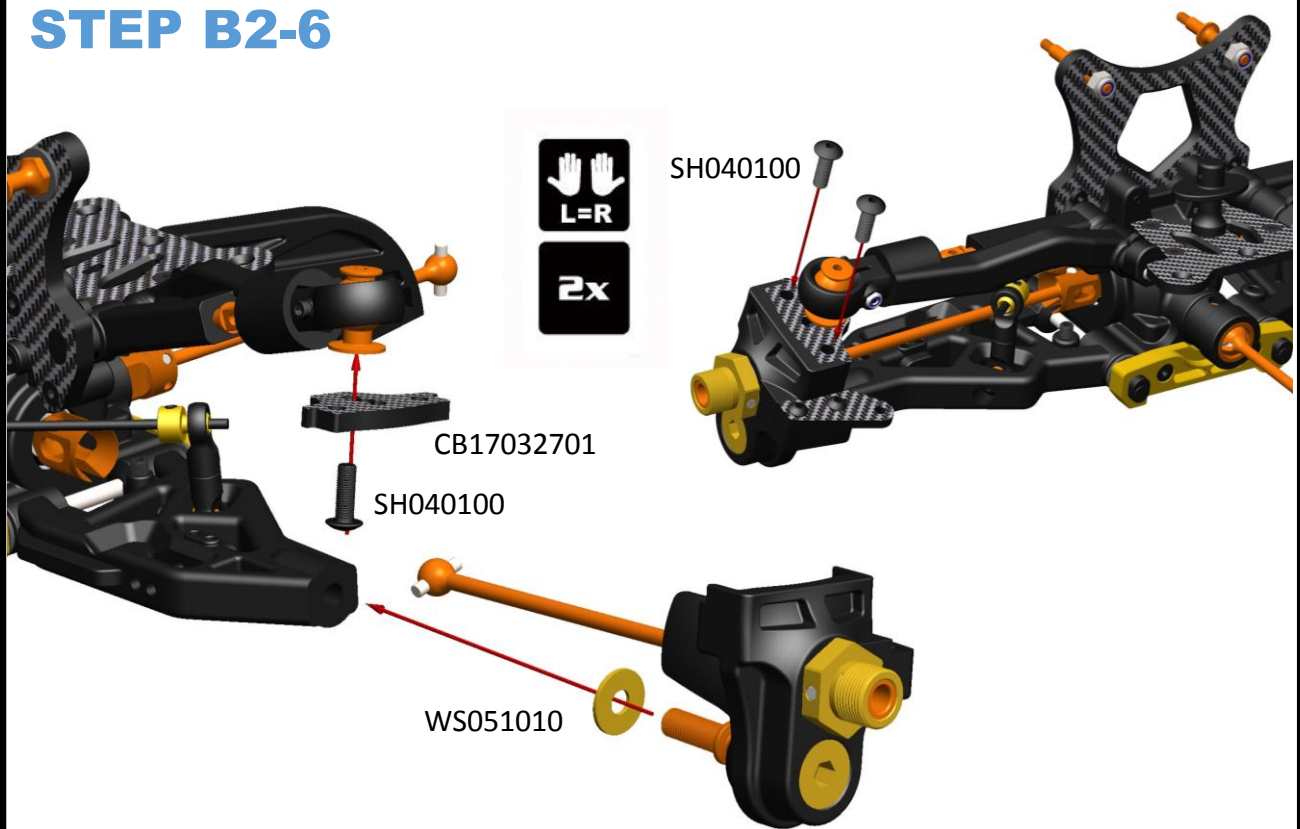


SH040100

CB17032701

SH040100

WS051010



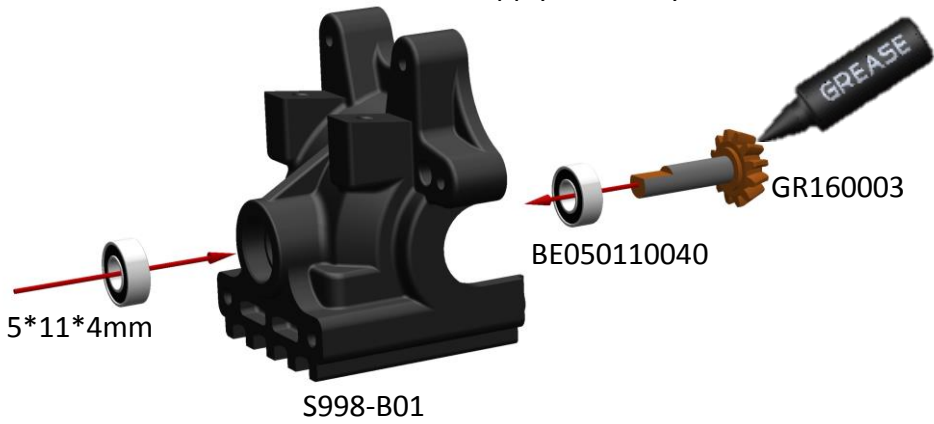
## FRONT SUSPENSION



# BAGS C1 REAR TRANSMISSION

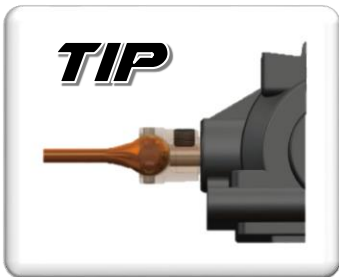
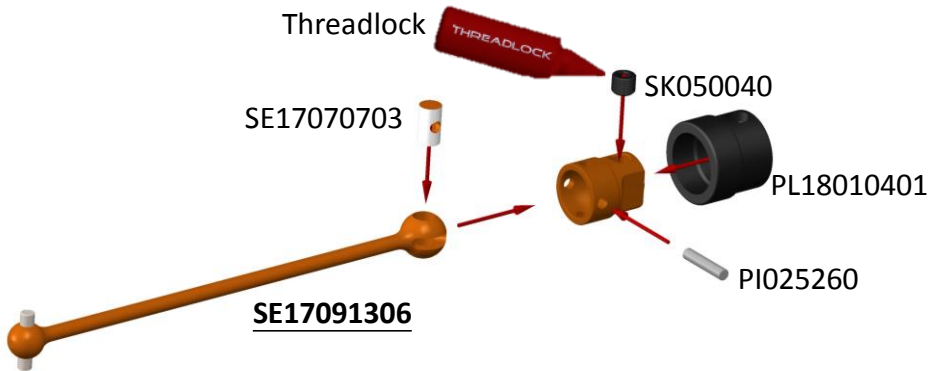
## STEP C1-1

Apply a thin layer of lubricant on the gear.

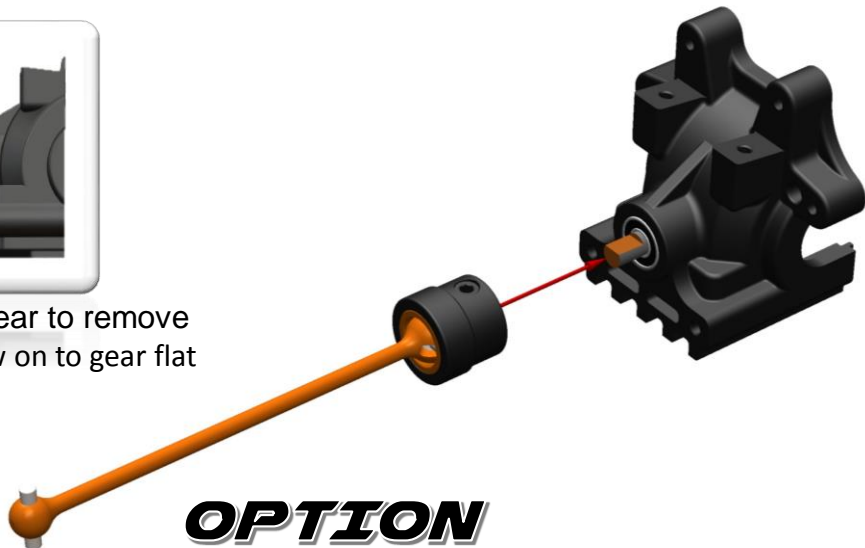


## STEP C1-2

### SE17091306 TD1R CENTER REAR 103mm CVD SET

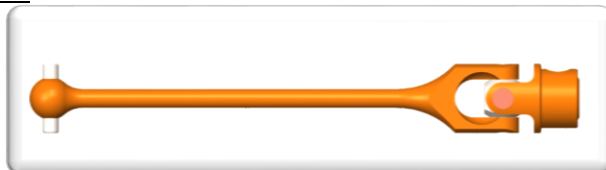


Push joint against gear to remove gap ,Tighten set screw on to gear flat spot



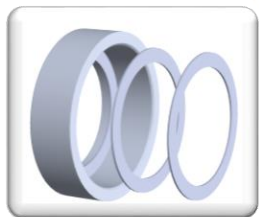
### SE160003 998 113mm Front Center Universal Swing Shaft Set

The use of Optional Universals is suitable for very bumpy conditions.

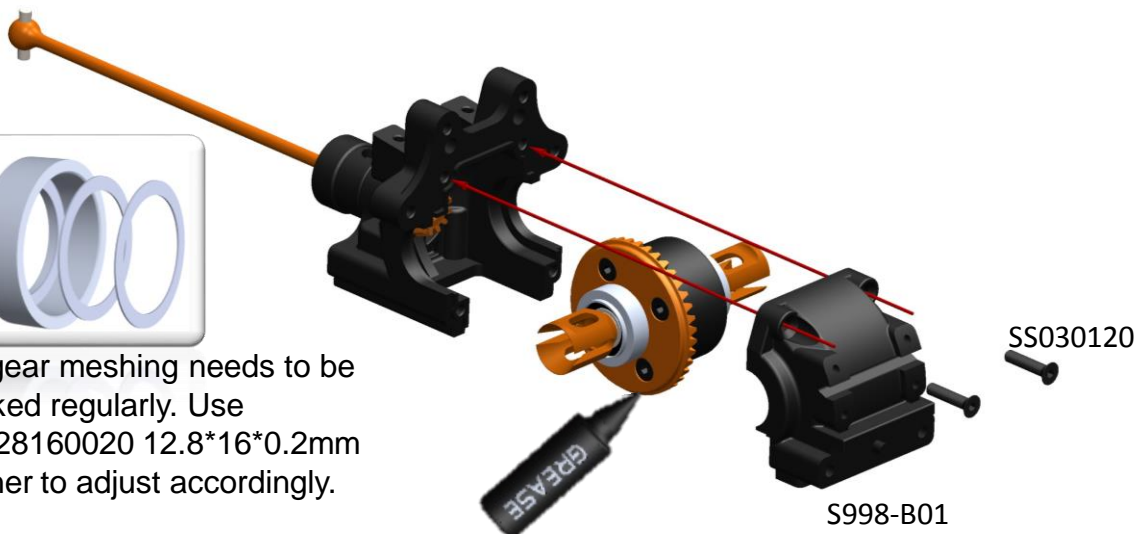


# BAGS C1 REAR TRANSMISSION

## STEP C1-3

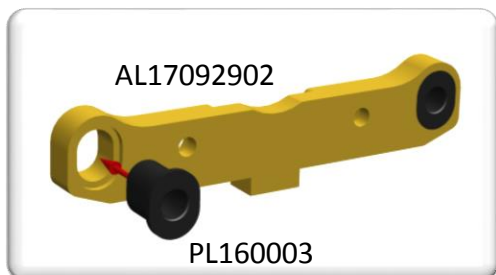


The gear meshing needs to be checked regularly. Use WS128160020 12.8\*16\*0.2mm Washer to adjust accordingly.

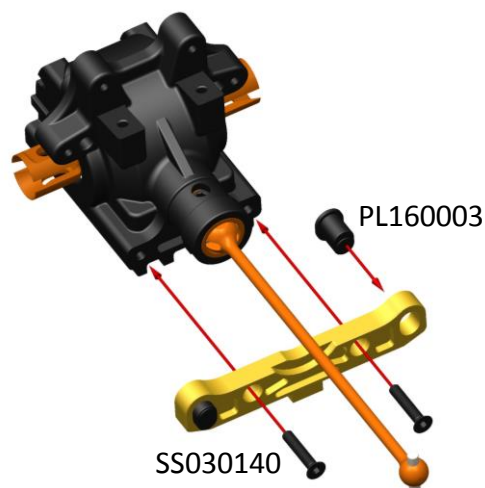


Apply a thin layer of lubricant on the gear.

## STEP C1-4



The inserts are considered expendables



## STEP C1-5

**OPTION**  
AL17101102



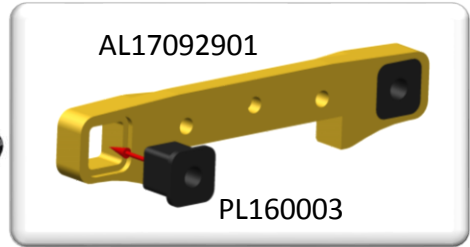
**7079-T651**



SS030140

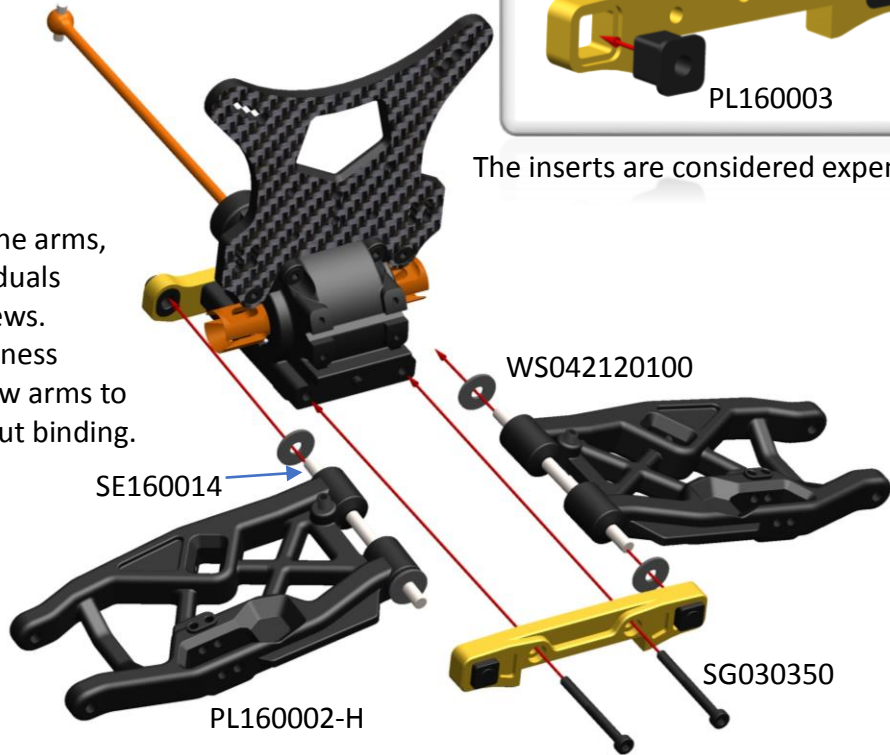
# BAGS C2 REAR SUSPENSION

## STEP C2-1



The inserts are considered expendables

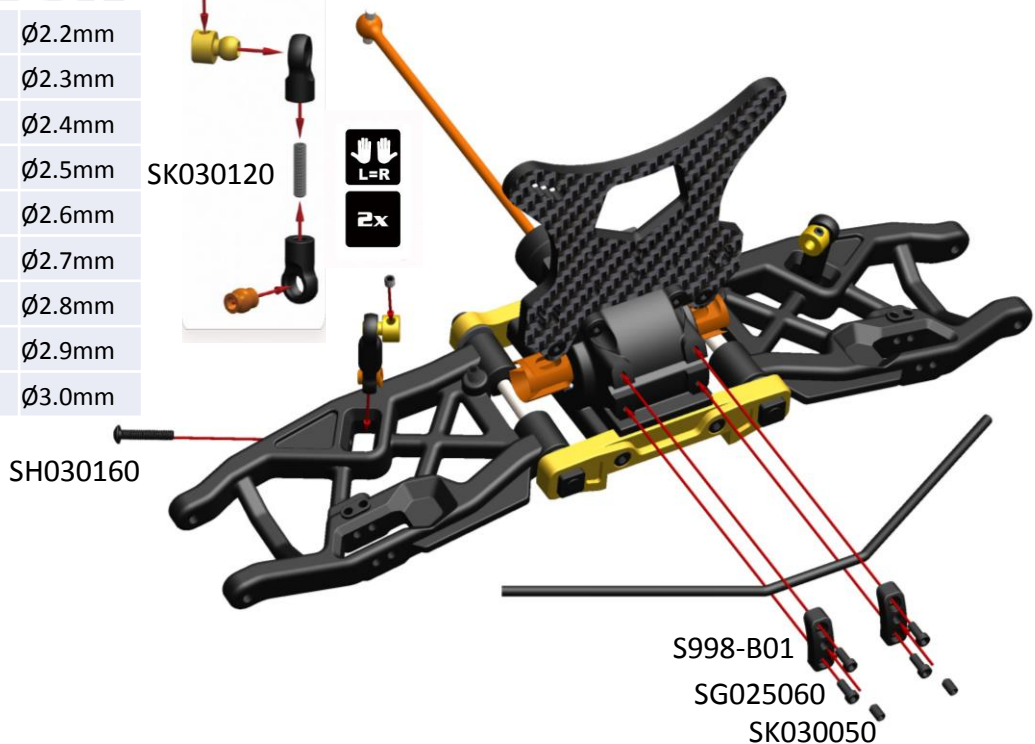
The tightness on the arms, depends on individuals tightening the screws. Please adjust tightness accordingly to allow arms to move freely without binding.



## STEP C2-2 OPTION

### TIP

SP160002-22	Ø2.2mm
SP160002-23	Ø2.3mm
SP160002-24	Ø2.4mm
SP160002-25	Ø2.5mm
SP160002-26	Ø2.6mm
SP160002-27	Ø2.7mm
SP160002-28	Ø2.8mm
SP160002-29	Ø2.9mm
SP160002-30	Ø3.0mm





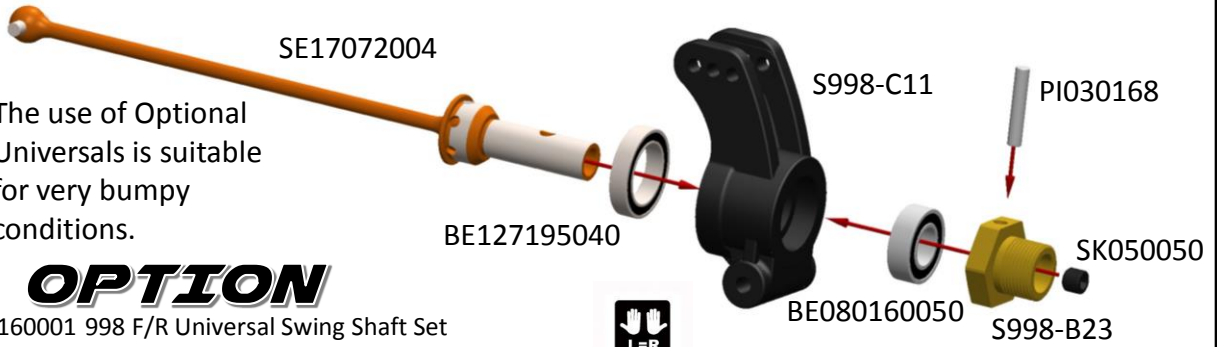
# BAGS C2 REAR SUSPENSION

## STEP C2-3

The use of Optional Universals is suitable for very bumpy conditions.

### OPTION

SE160001 998 F/R Universal Swing Shaft Set

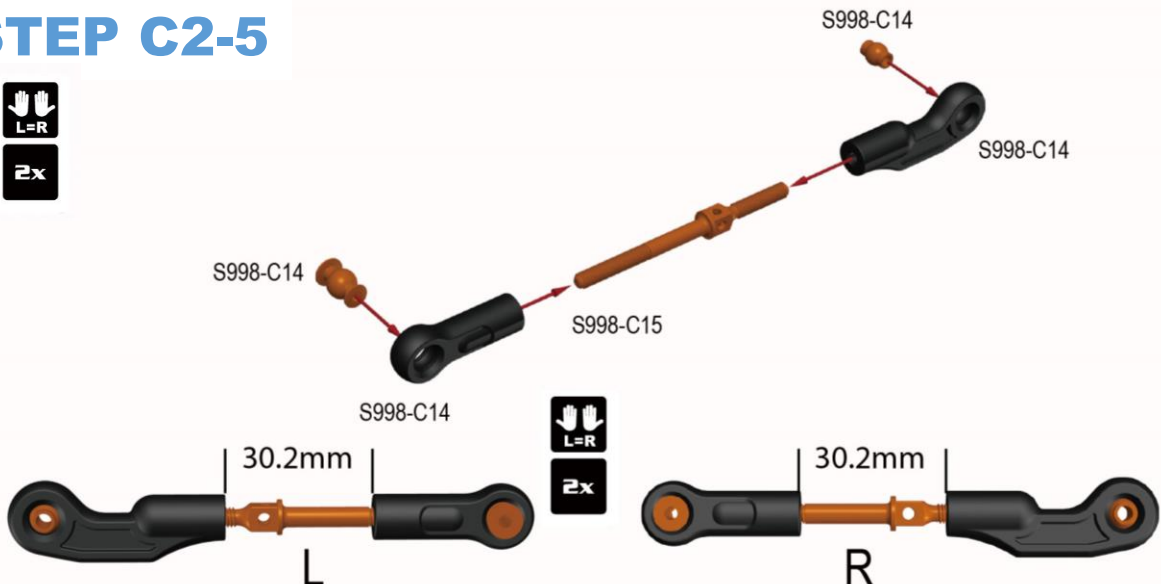


## STEP C2-4

Each Individual's level of tightening the screws is different. Please tighten till able to move freely.

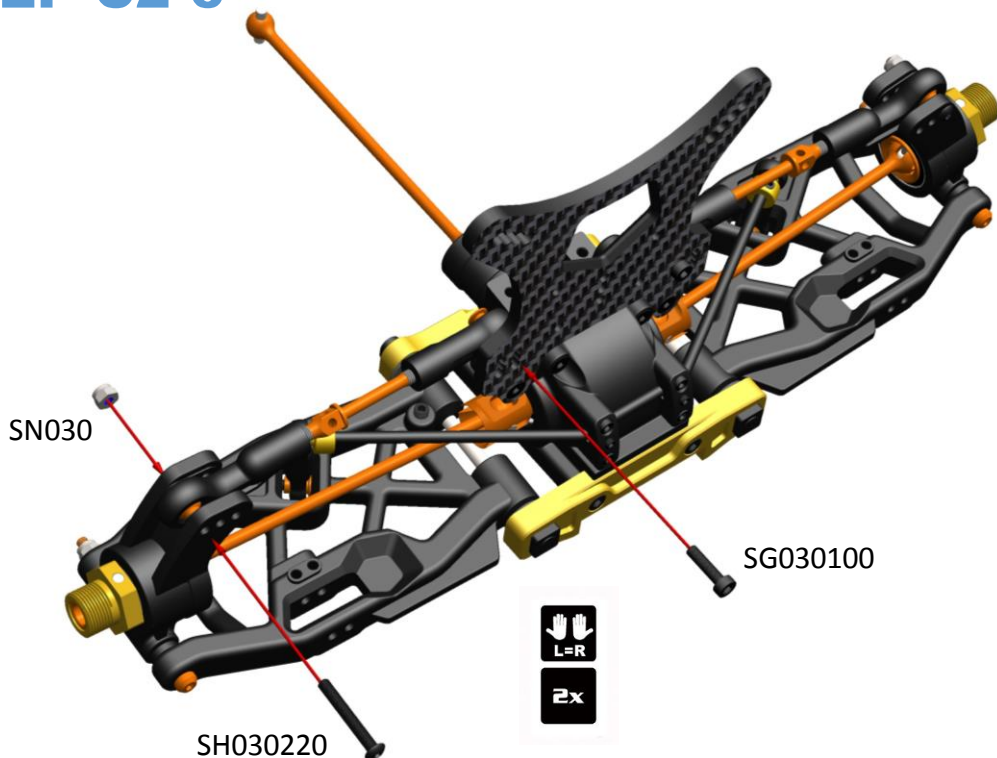


## STEP C2-5

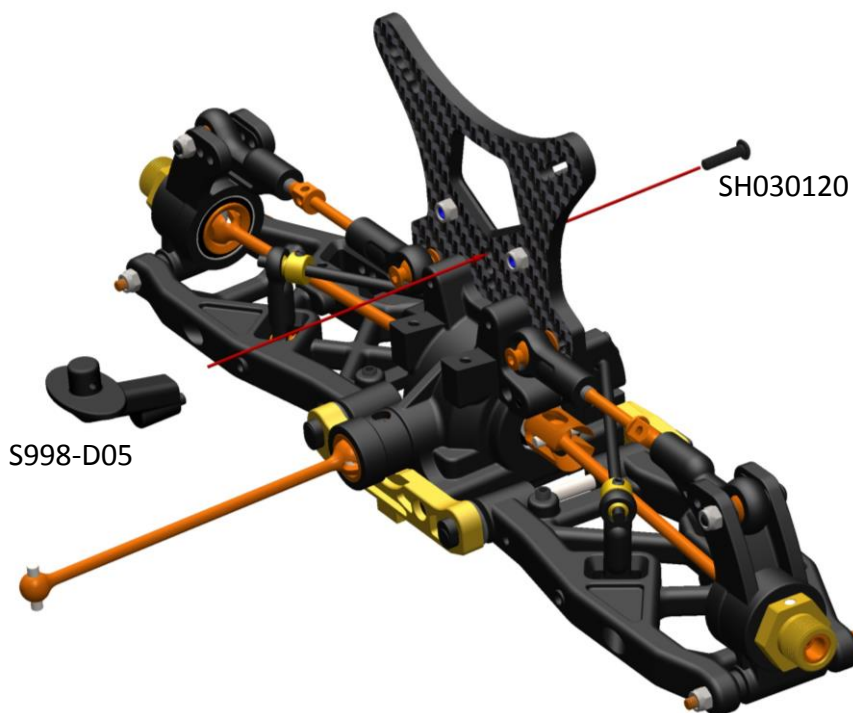


# BAGS C2 REAR SUSPENSION

## STEP C2-6



## STEP C2-7



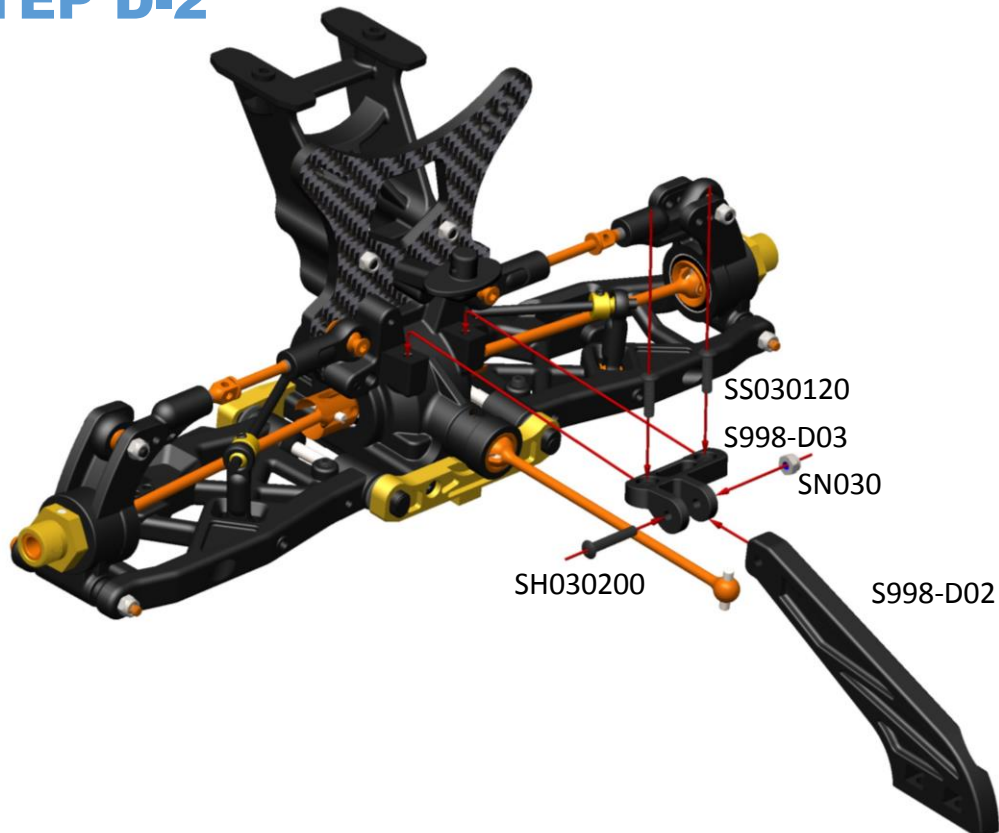
## BAGS D WING STAY

### STEP D-1



## BAGS D REAR CHASSIS BRACE

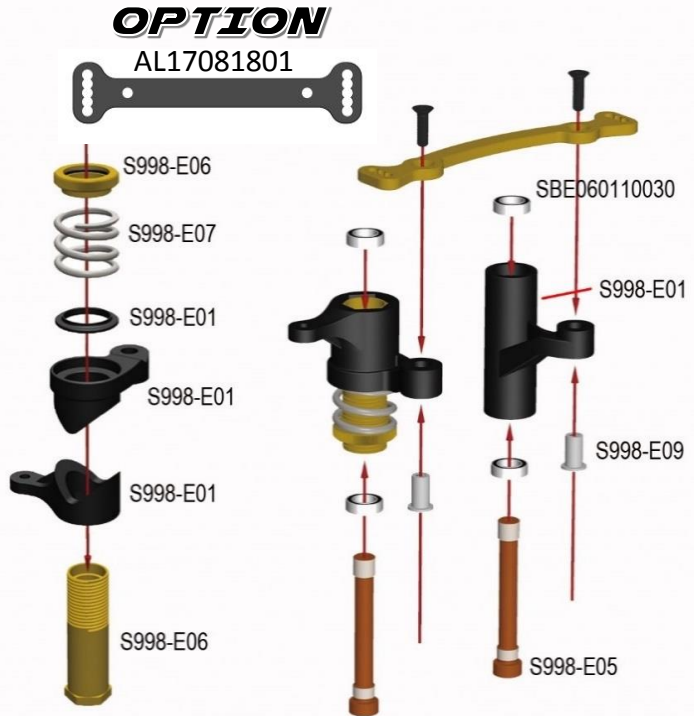
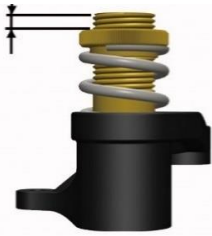
### STEP D-2



## BAGS E

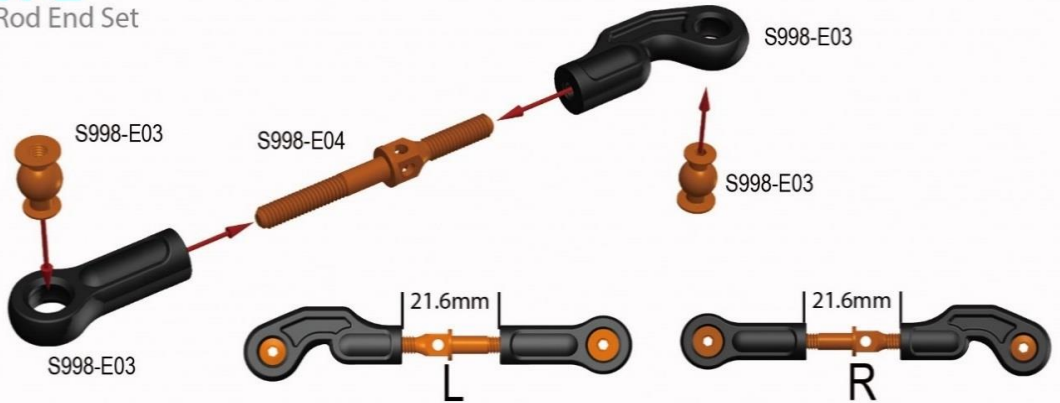
### STEP E1-1

The tighter the servo saver, the better the buggy will be able to maintain its intended direction, giving the bug more direct feel. However, in the event of high knocks, the servo will absorb the force of the knock; higher possibility that the servo gears will be damaged.



### STEP E1-2

Steering Tie-Rod End Set



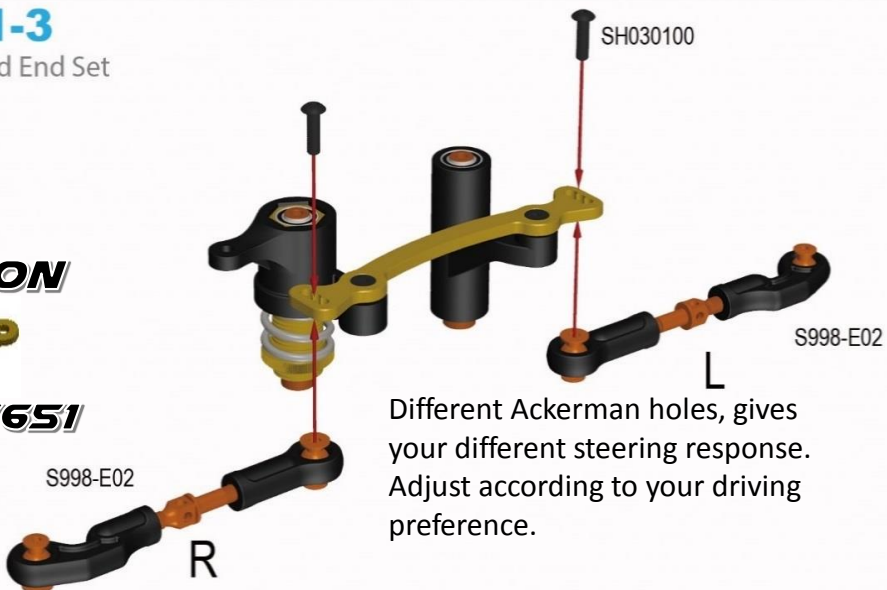
### STEP E1-3

Steering Tie-Rod End Set



#### OPTION

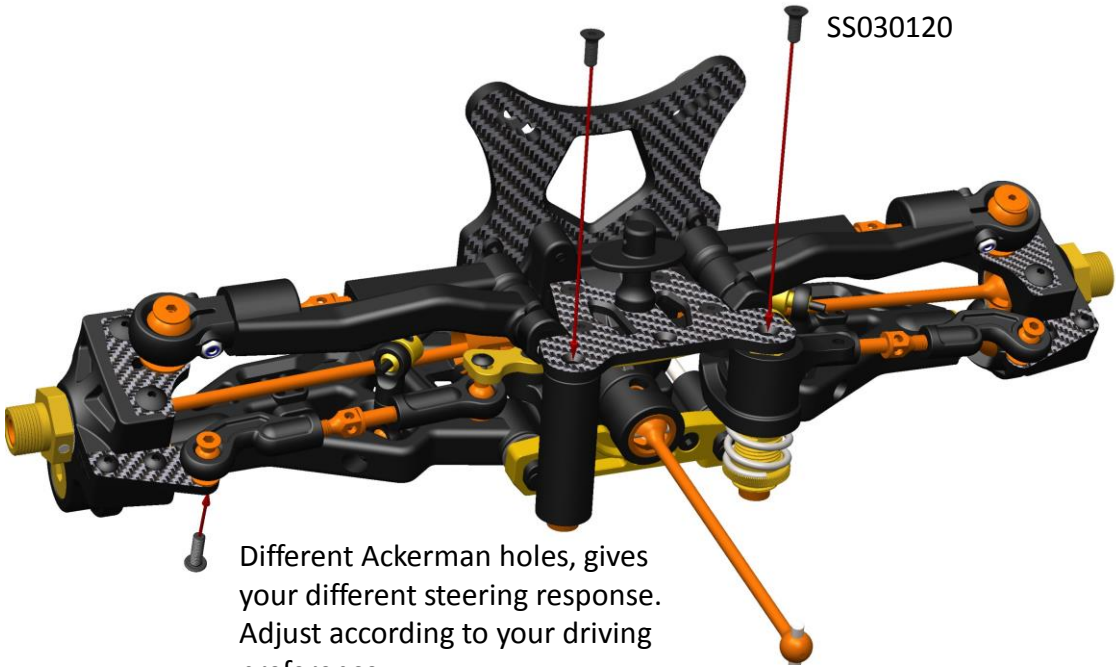
**7079-T651**



Different Ackerman holes, gives your different steering response. Adjust according to your driving preference.

## BAGS E STEERING

### STEP E-4



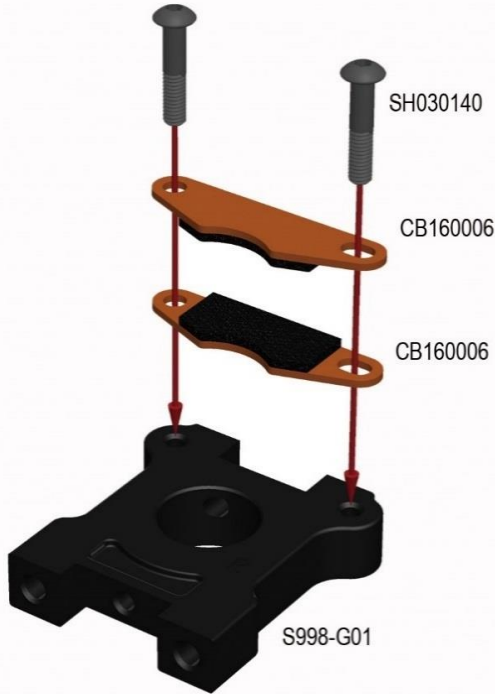
### STEP E-5



**BAGS F**

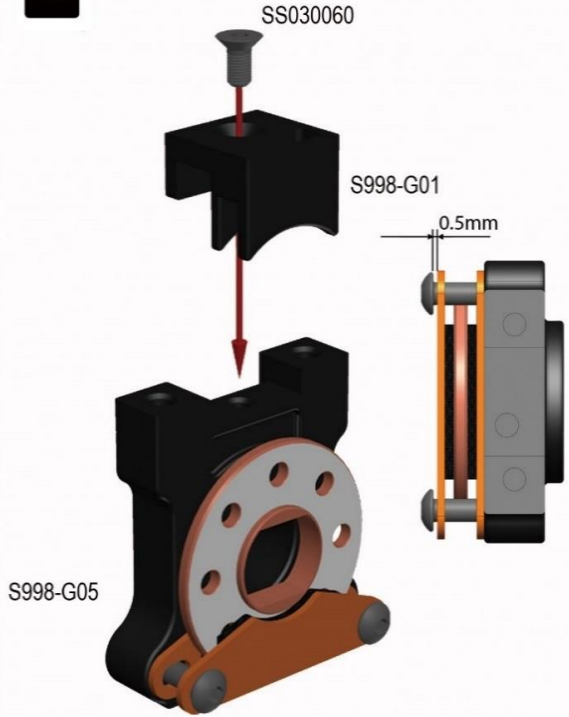
**STEP F1-1**

Center Diff Mount



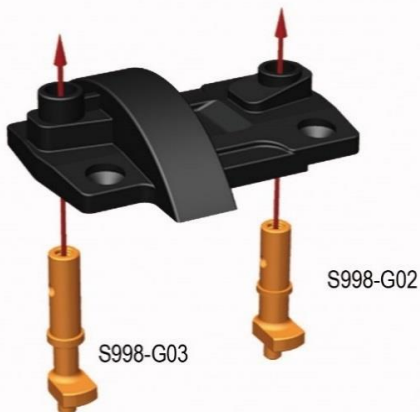
**STEP F1-2**

Center Diff Mount



**STEP F1-3**

Center Diff Mount



**STEP F1-4**

Center Diff Mount

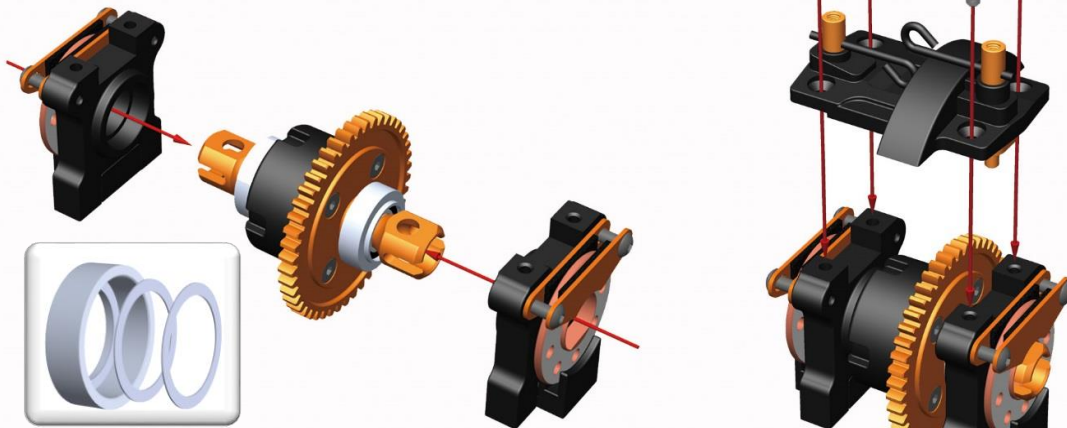


**BAGS F**

**STEP F1-5**

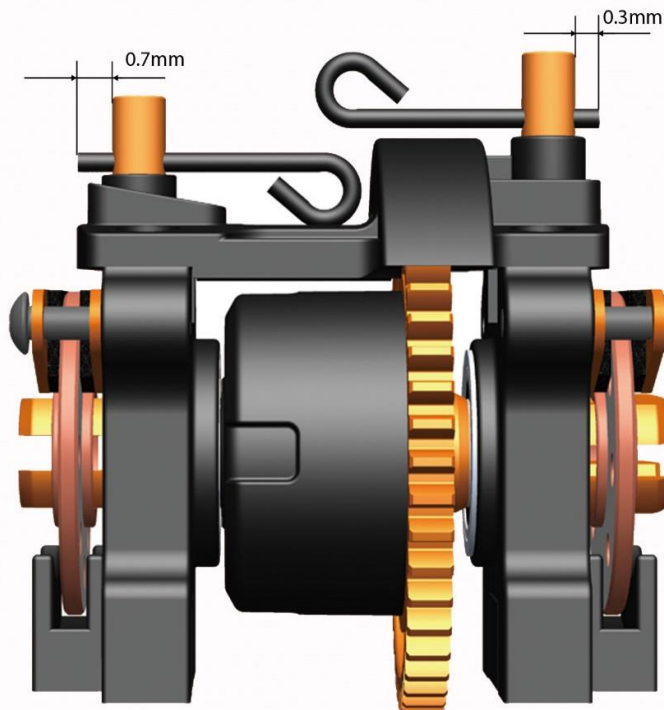
Center Diff Mount

SS030100



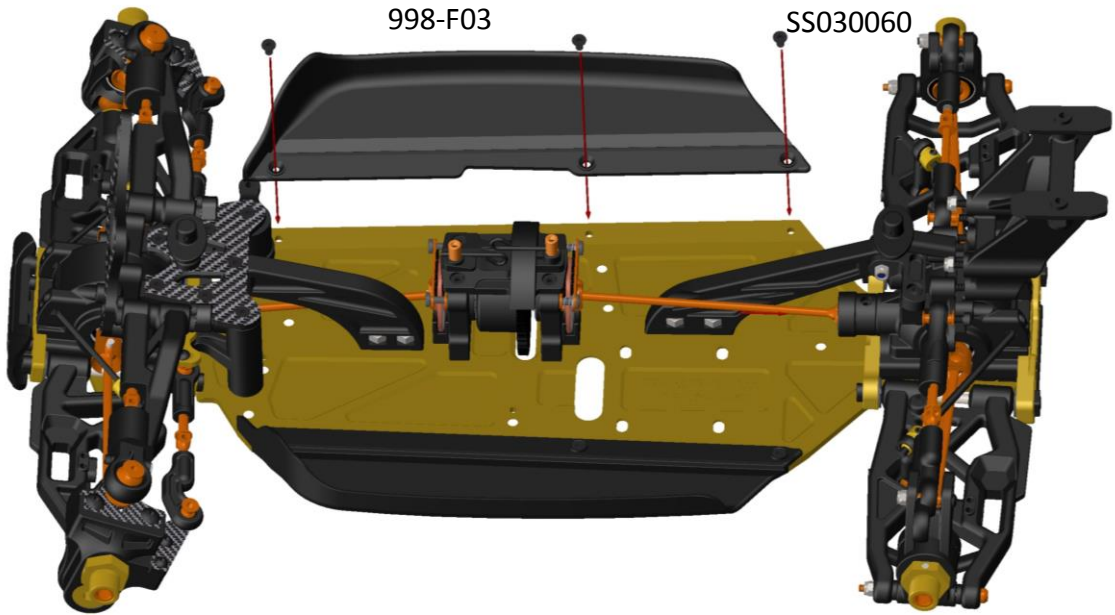
The gear meshing needs to be checked regularly. Use 3PCS WS128160020 12.8\*16\*0.2mm in front Washer to adjust accordingly.

**CENTER SET UP**

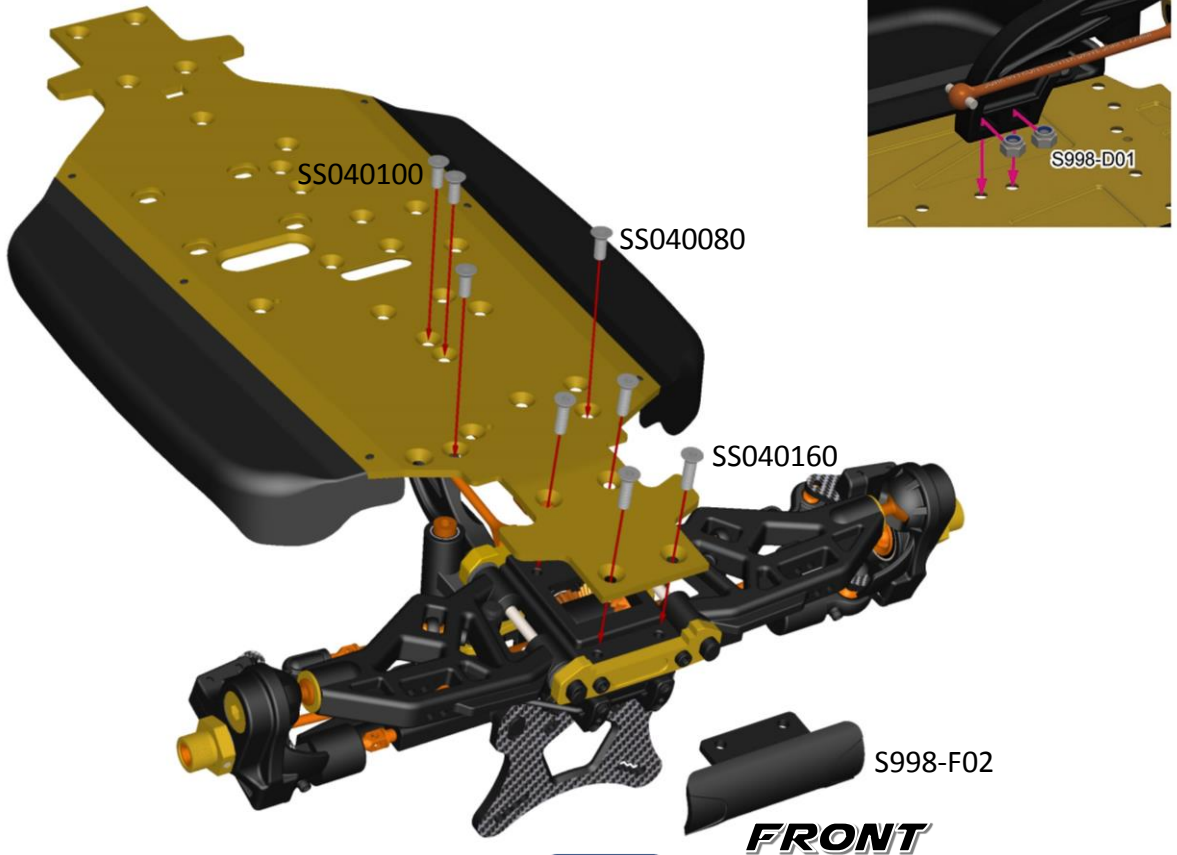


# BAGS G CHASSIS PRINCIPAL

## STEP G-1



## STEP G-2

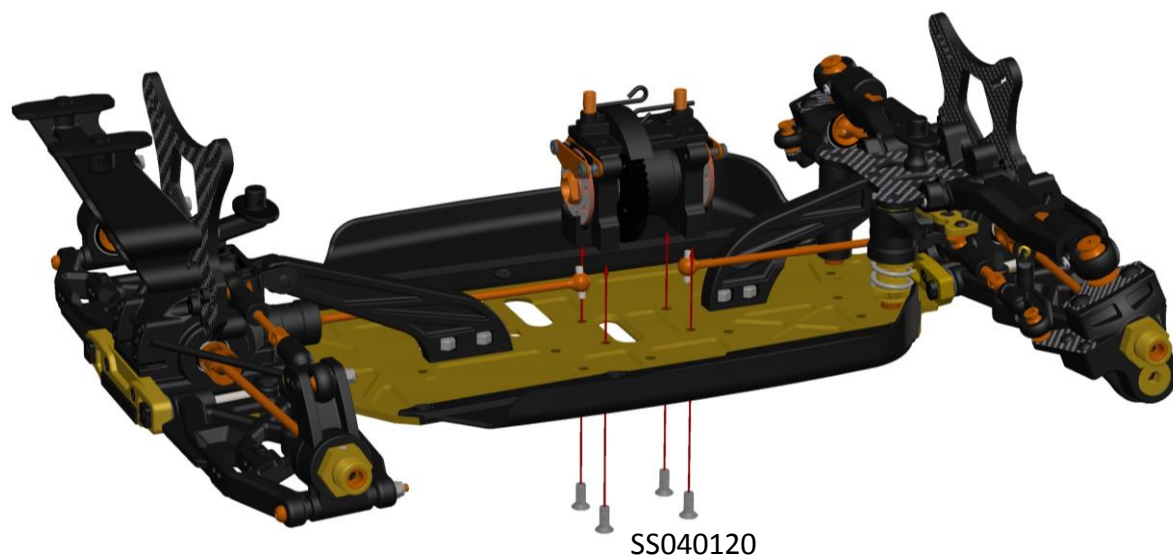




**STEP G-3**

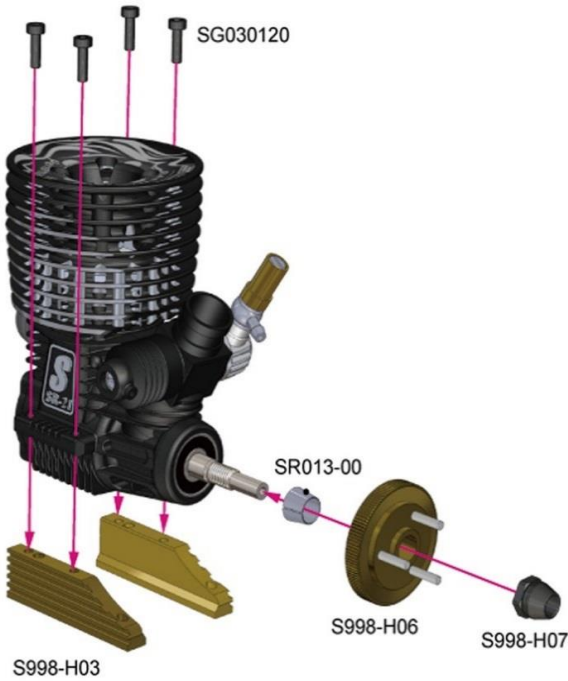


**STEP G-4**

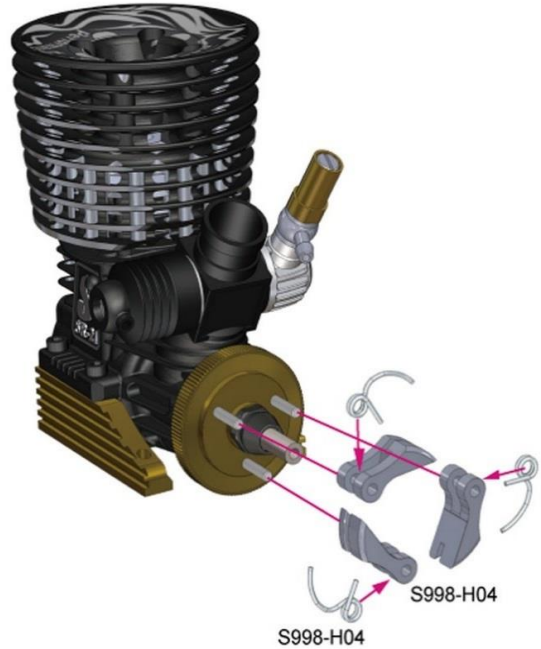


## BAGS H

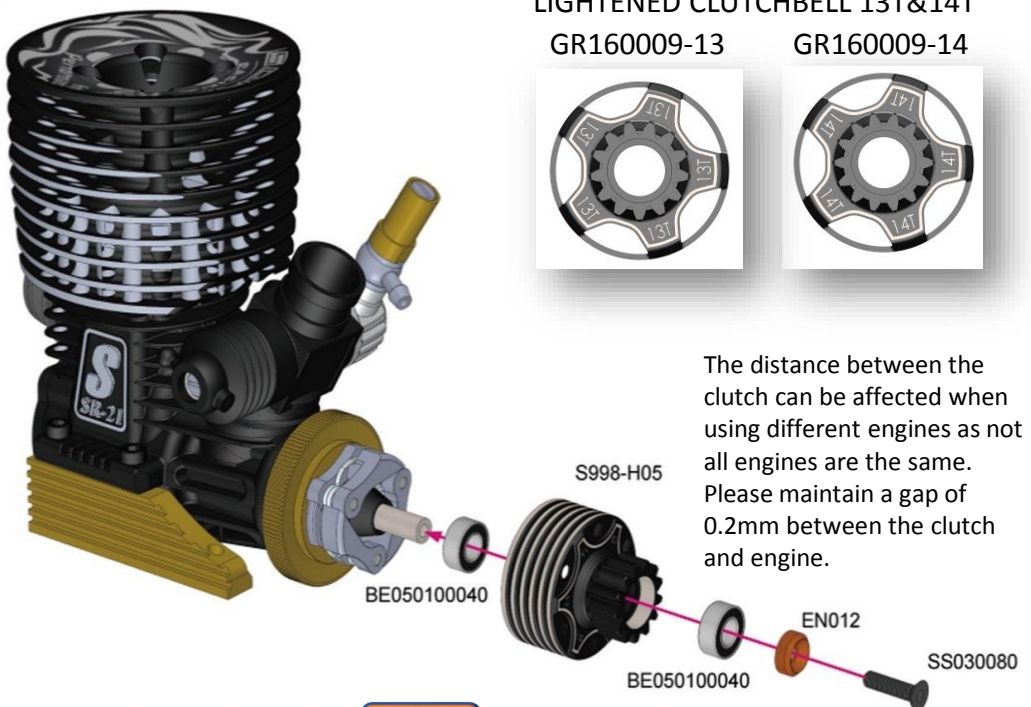
### STEP H-1 ENGINE INSTALLATION



### STEP H-2 ENGINE INSTALLATION



### STEP H-3 ENGINE INSTALLATION



## OPTION

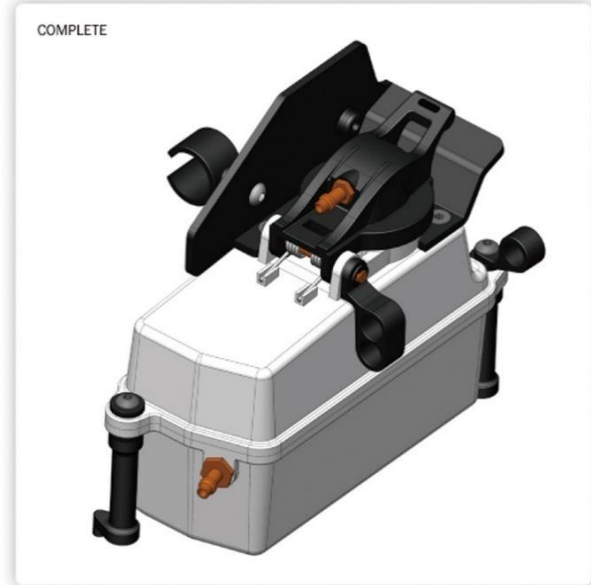
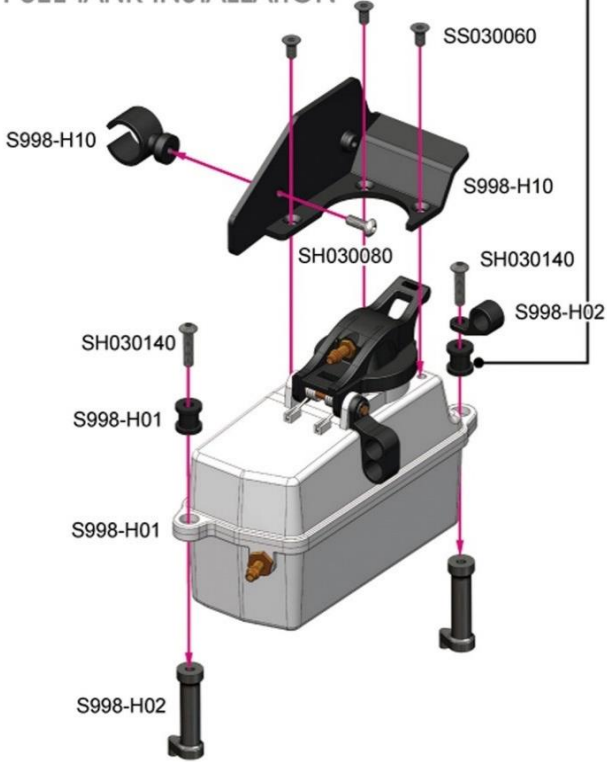
LIGHTENED CLUTCHBELL 13T&14T  
GR160009-13      GR160009-14



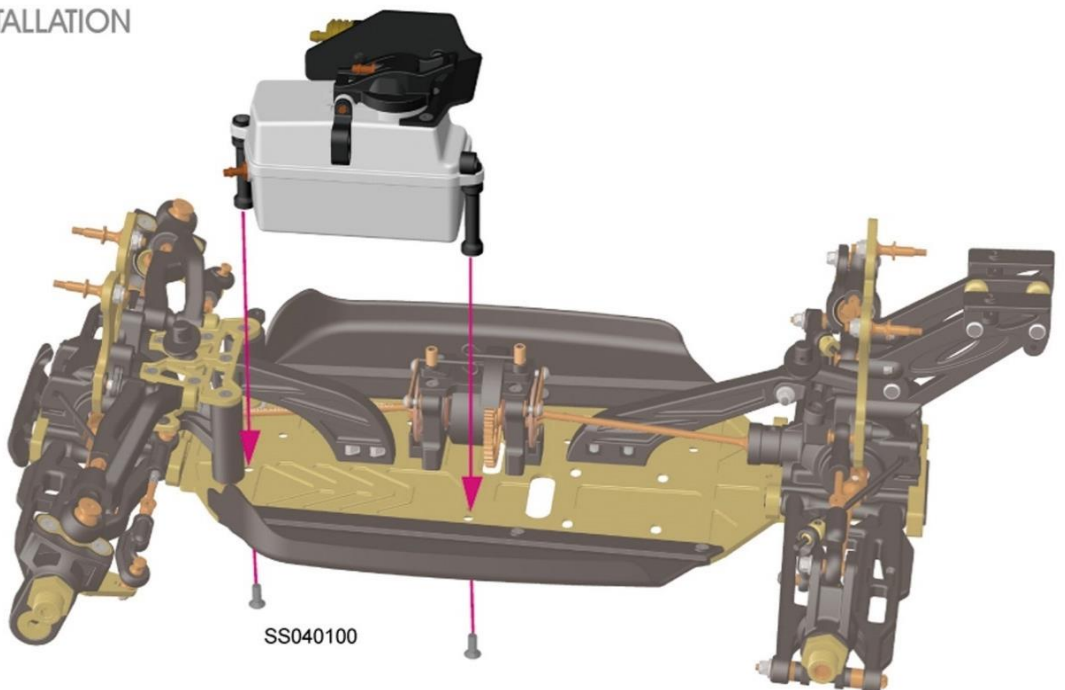
The distance between the clutch can be affected when using different engines as not all engines are the same. Please maintain a gap of 0.2mm between the clutch and engine.

# BAGS H

## STEP H-4 FUEL TANK INSTALLATION

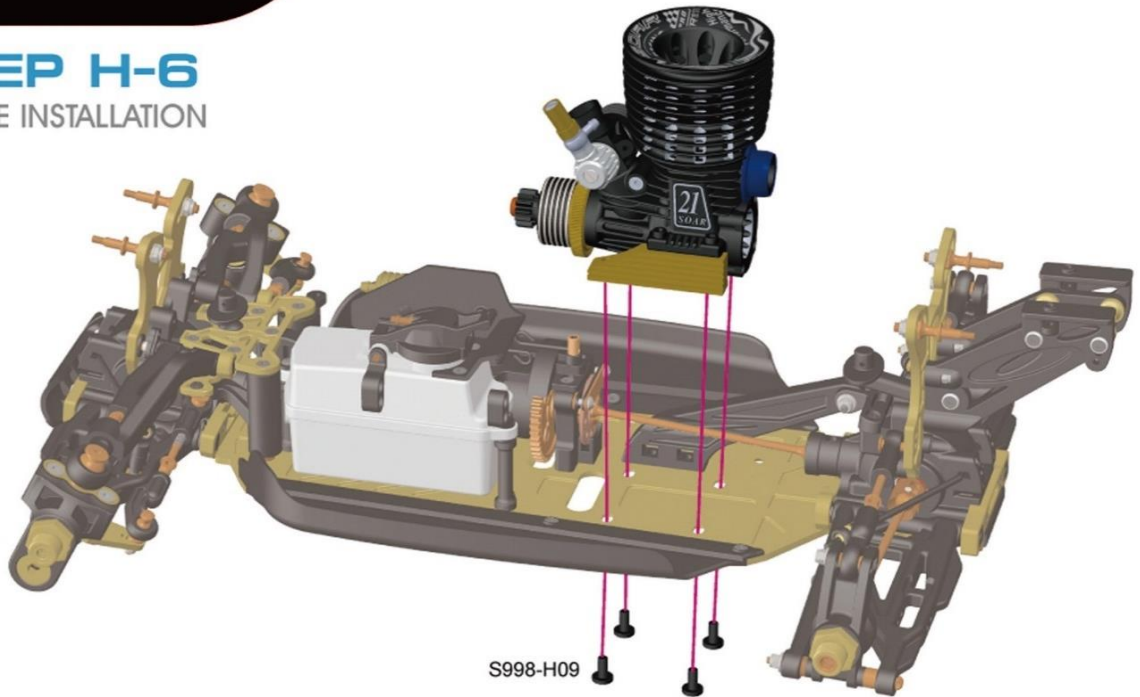


## STEP H-5 FUEL TANK INSTALLATION

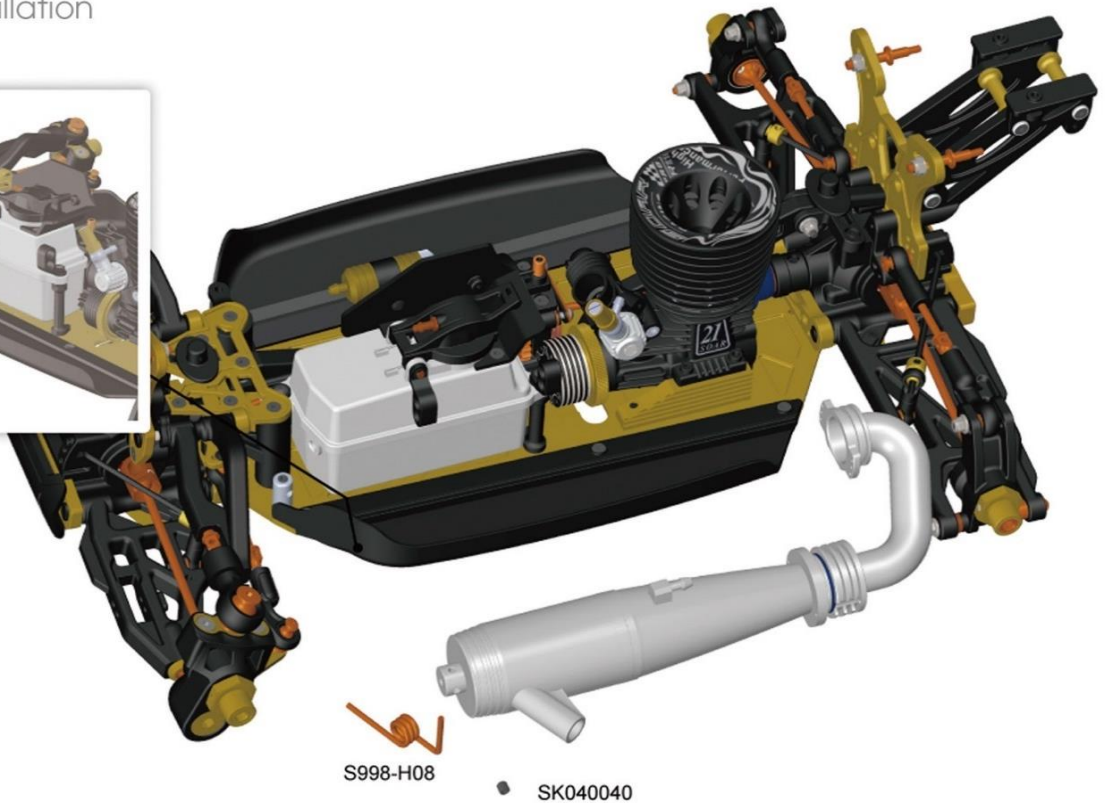


## BAGS H

### STEP H-6 ENGINE INSTALLATION

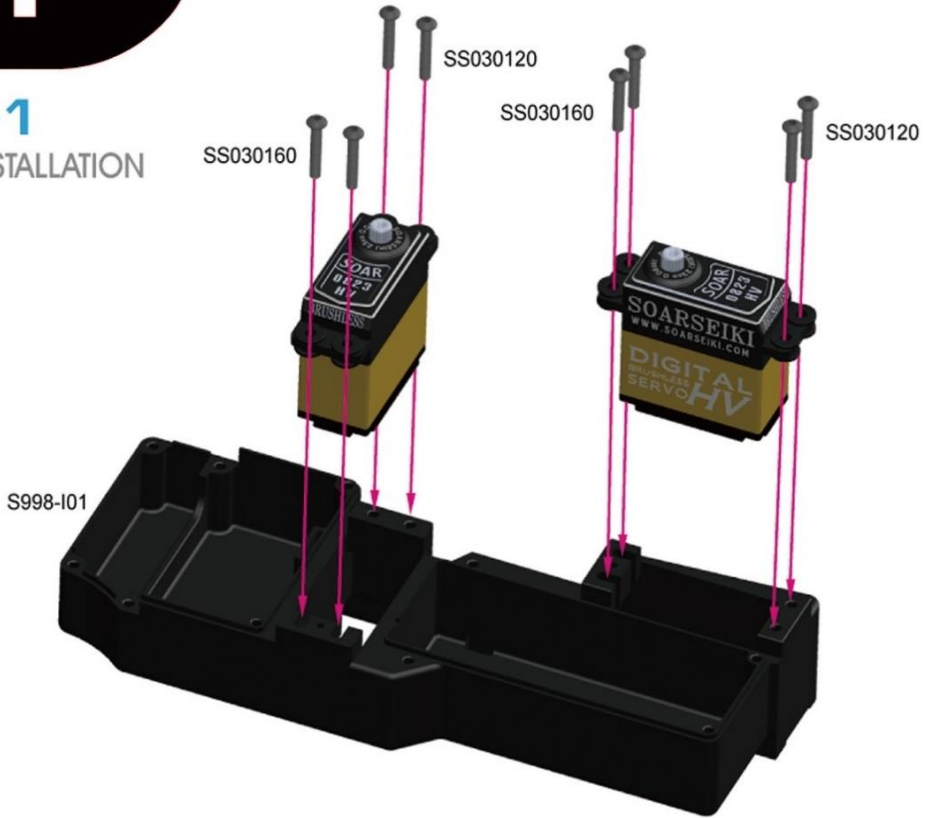


### STEP H-7 Exhaust Installation



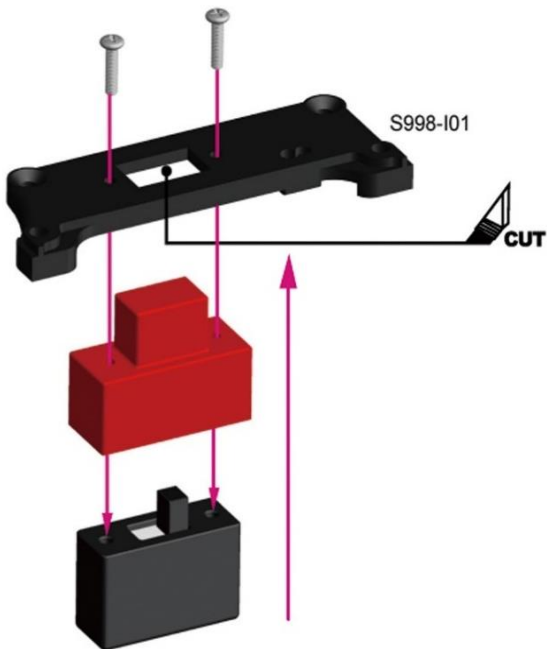
**STEP 1-1**

RADIO CASE INSTALLATION



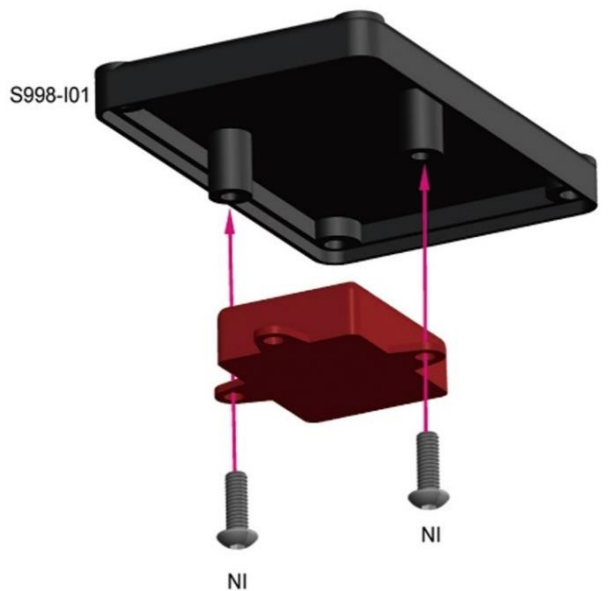
**STEP 1-2**

RADIO CASE INSTALLATION



**STEP 1-3**

RADIO CASE INSTALLATION

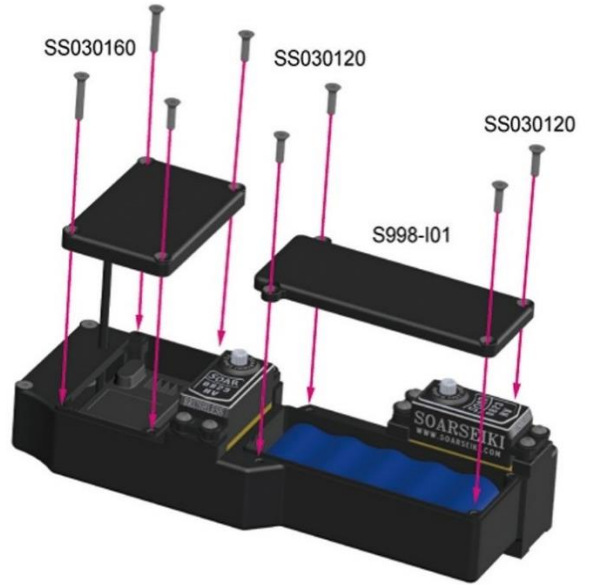
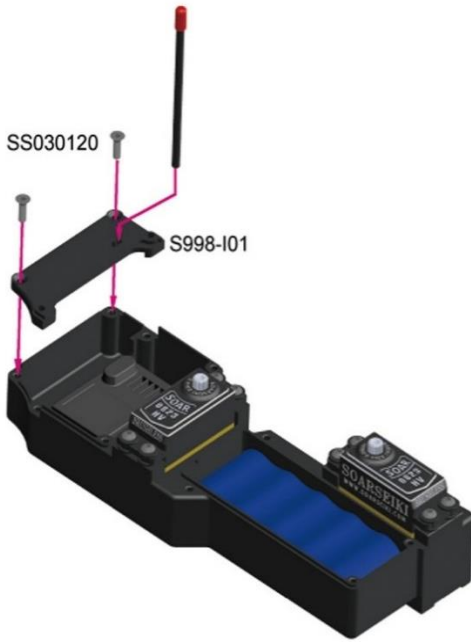


**STEP 1-5**

RADIO CASE INSTALLATION

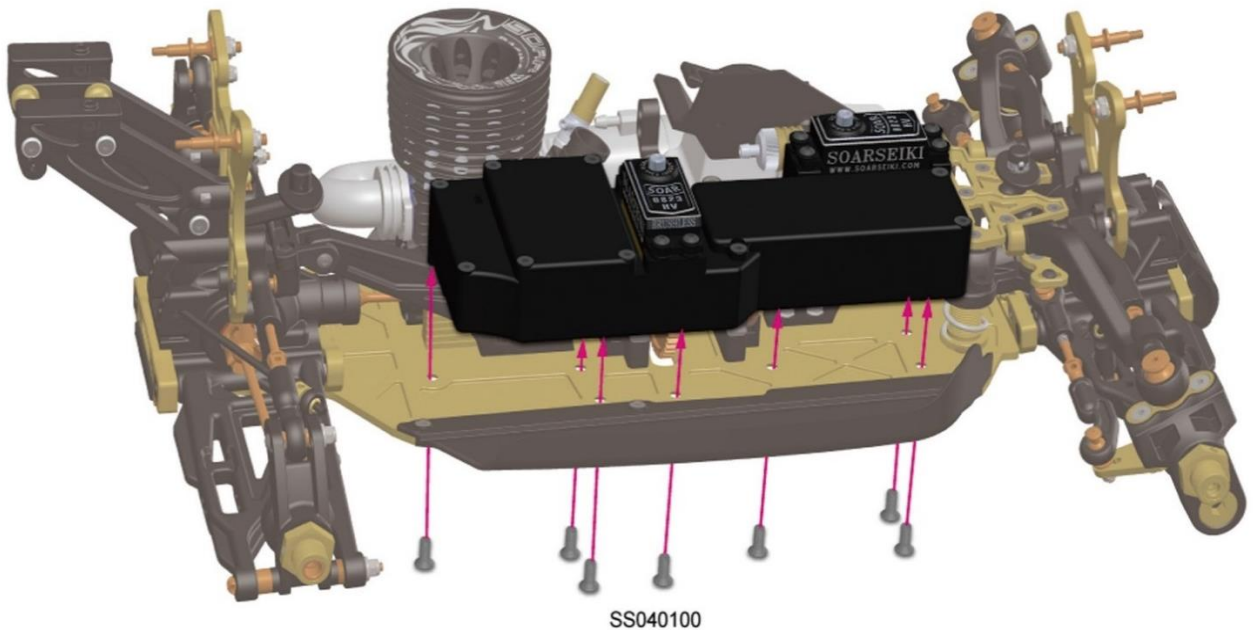
**STEP 1-4**

RADIO CASE INSTALLATION



**STEP 1-6**

RADIO CASE INSTALLATION



**BAGS**

**STEP J-1**

SHOCK INSTALLATION  
( FRONT & REAR )



**STEP J-2**

SHOCK INSTALLATION  
( FRONT & REAR )



**STEP J-3**

SHOCK INSTALLATION  
( FRONT & REAR )



**STEP J-4**

SHOCK INSTALLATION  
( FRONT & REAR )



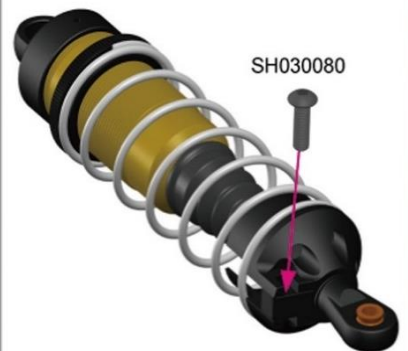
**STEP J-5**

SHOCK INSTALLATION  
( FRONT & REAR )

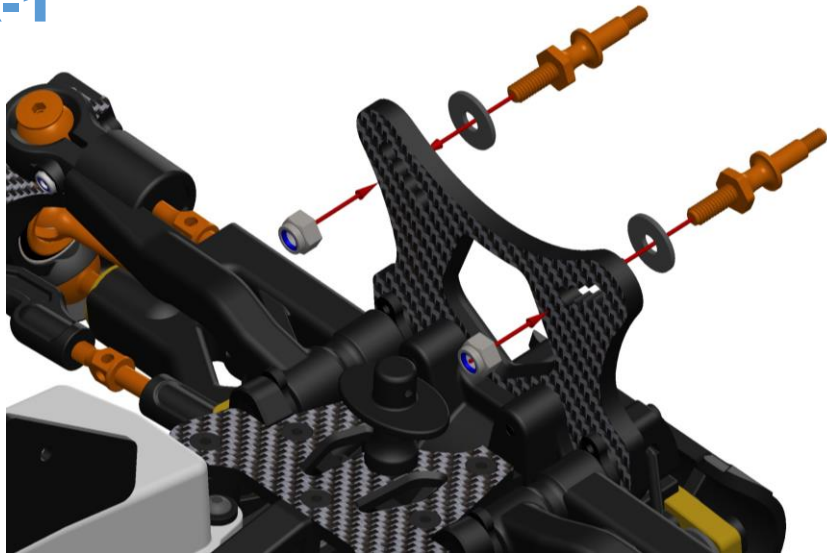


**STEP J-6**

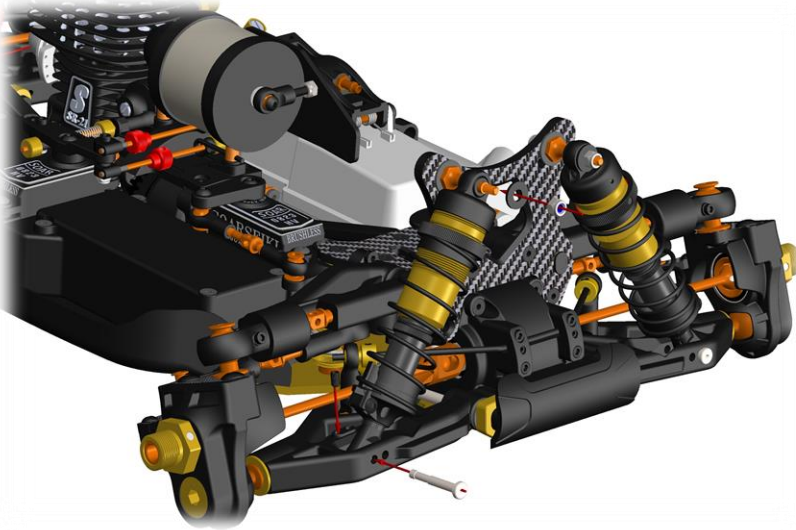
SHOCK INSTALLATION  
( FRONT & REAR )



**STEP K-1**



**STEP K-2**



**STEP K-2.1**



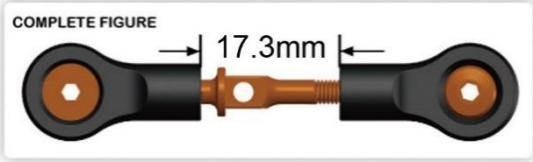
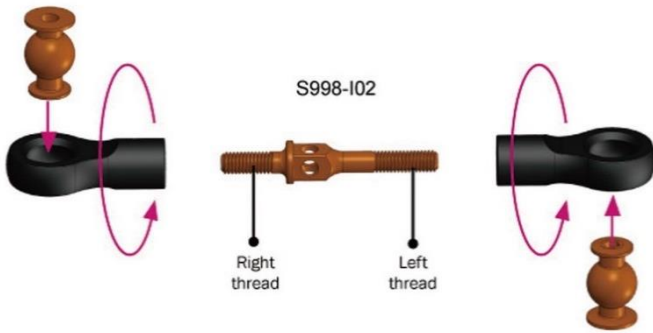


# BAGS K SERVO STEERING LINK

## BAGS K

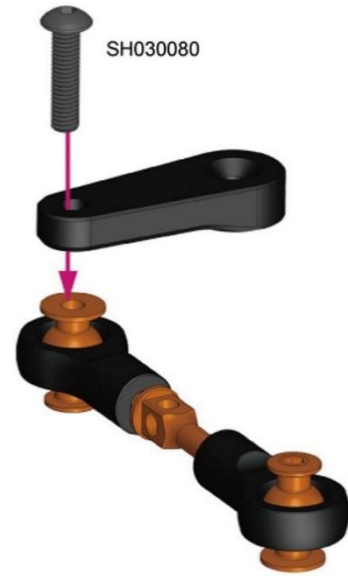
### STEP K-3

Steering Servo Link Installation



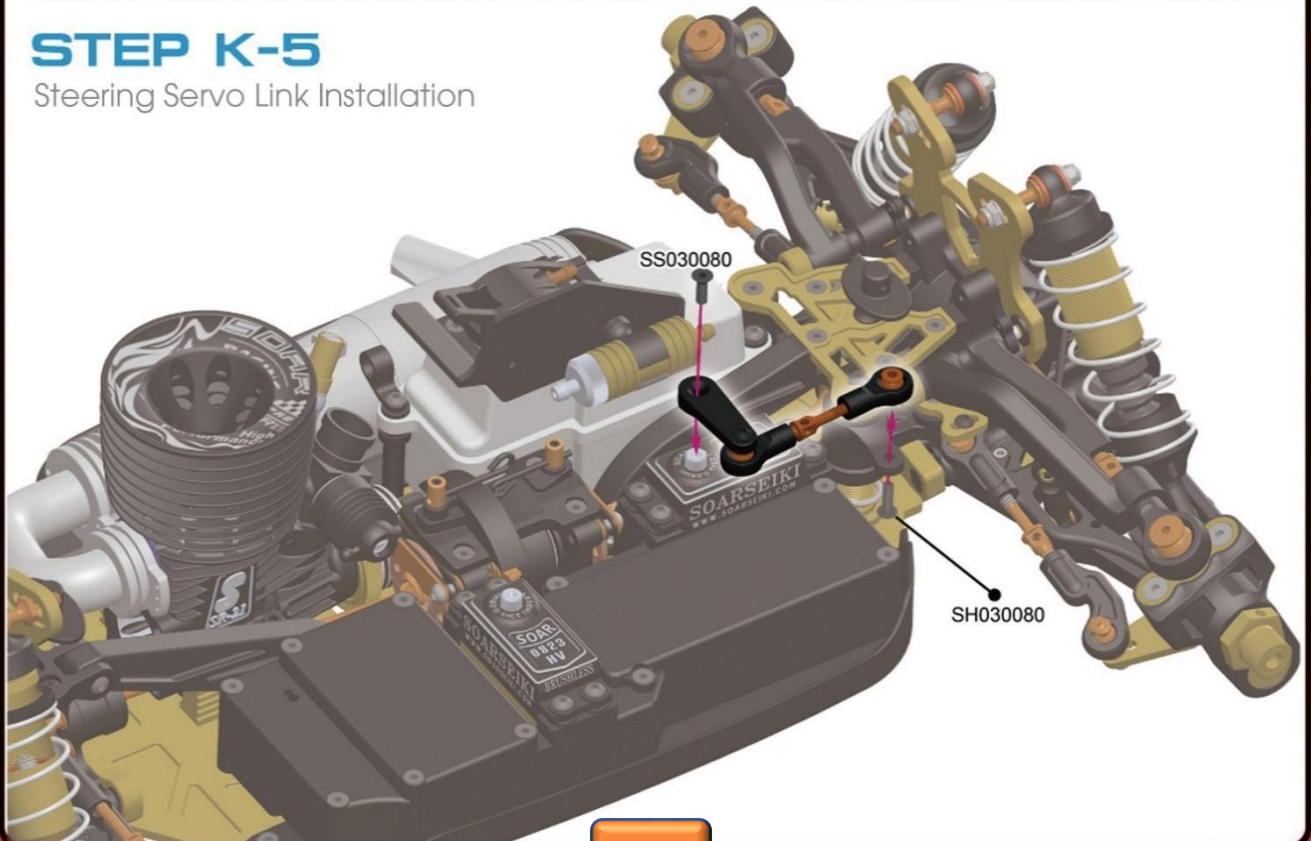
### STEP K-4

Steering Servo Link Installation



### STEP K-5

Steering Servo Link Installation

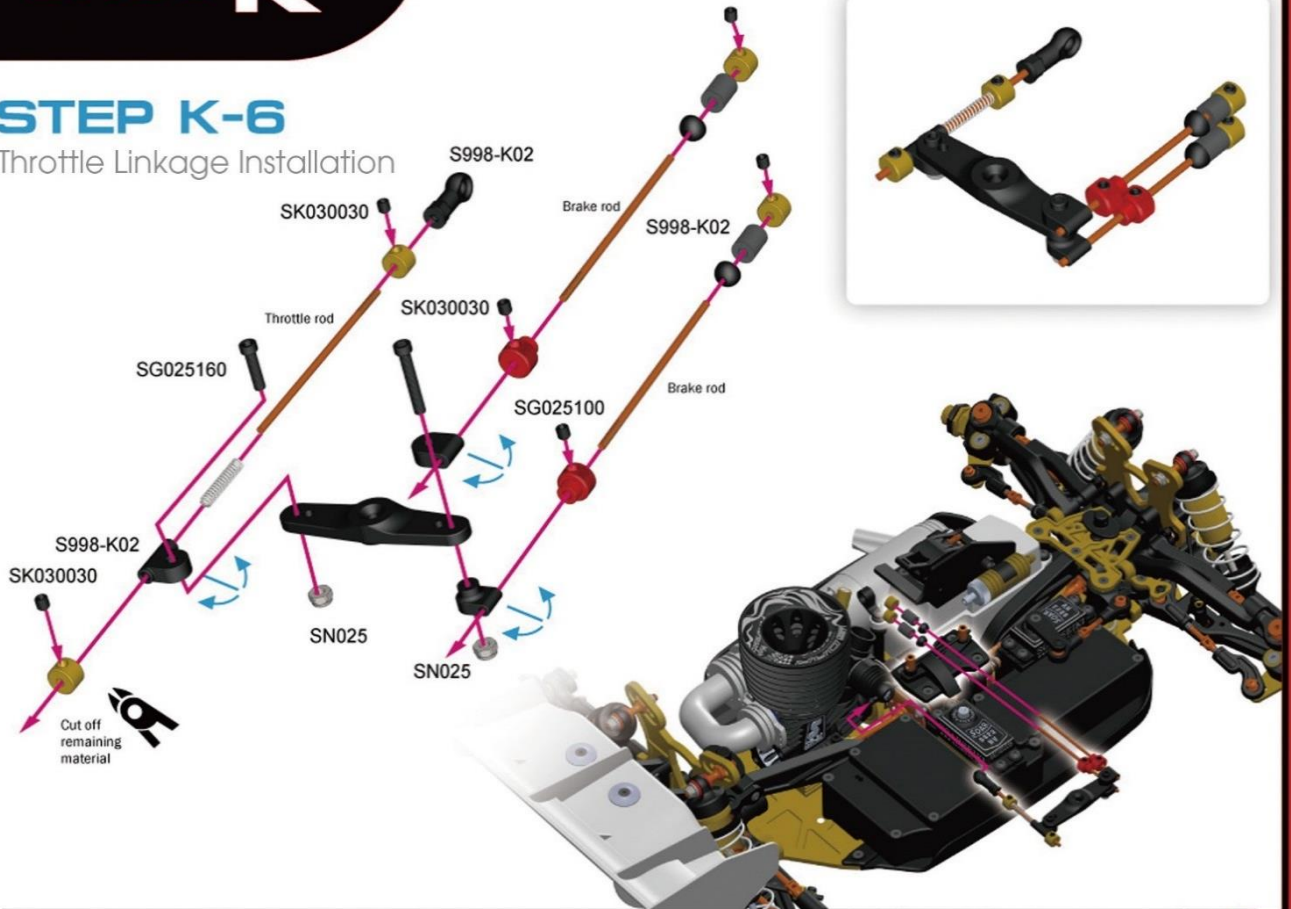


# BAGS K THROTTLE LINK

## BAGS K

### STEP K-6

Throttle Linkage Installation



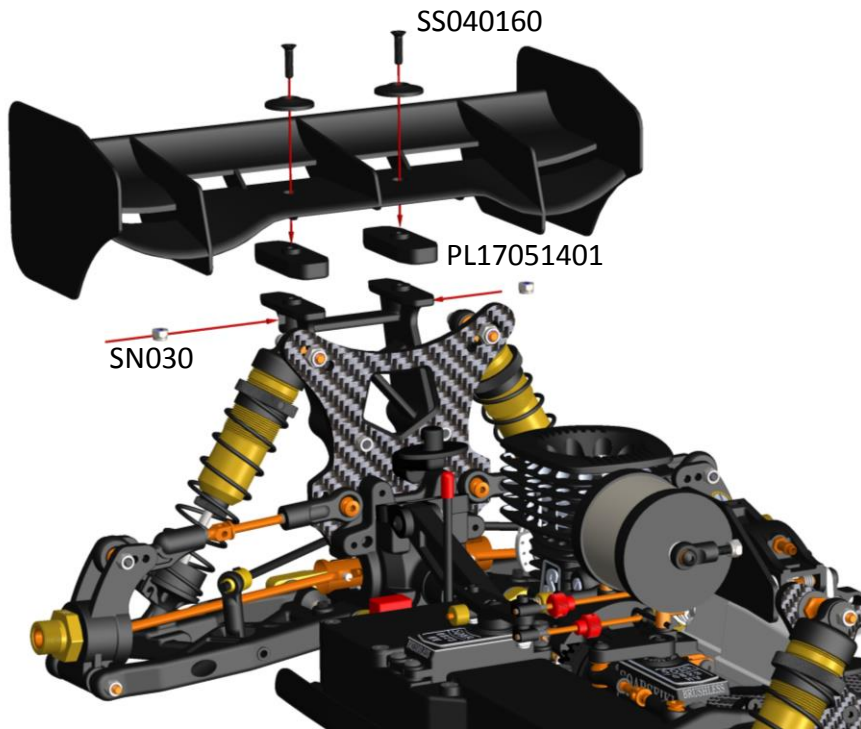
### STEP K-7

Throttle Linkage Installation



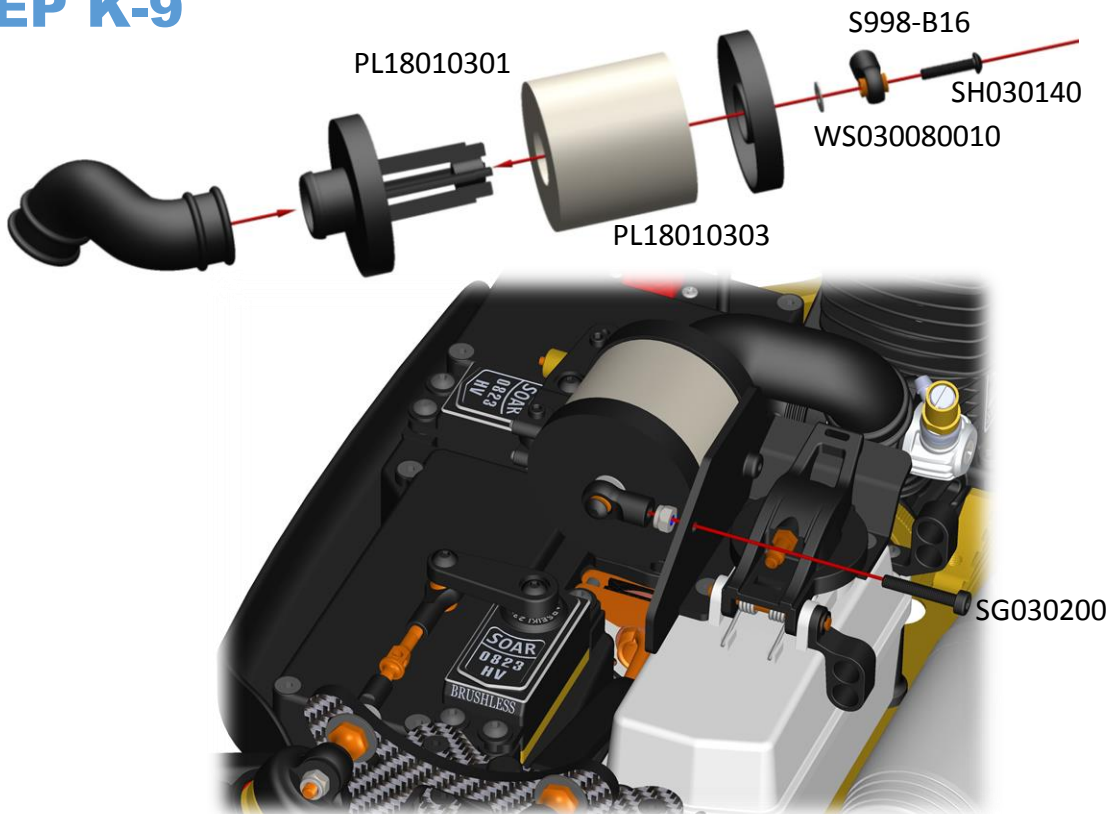
## BAGS K WING

### STEP K-8

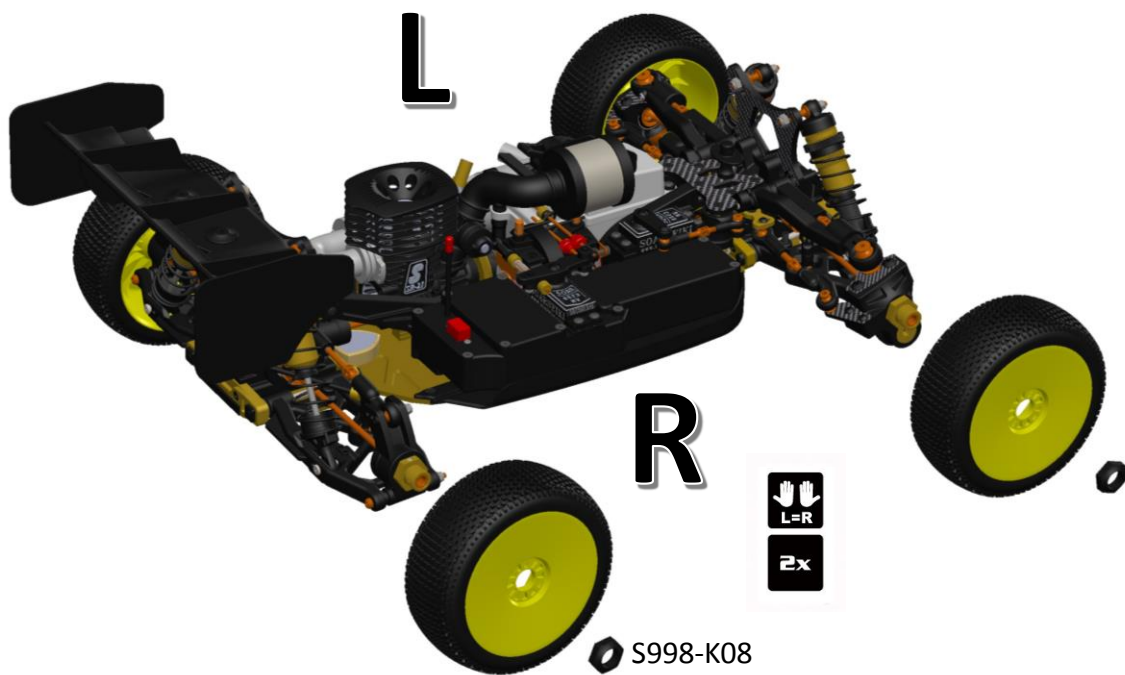


## BAGS K AIR FILTER

### STEP K-9

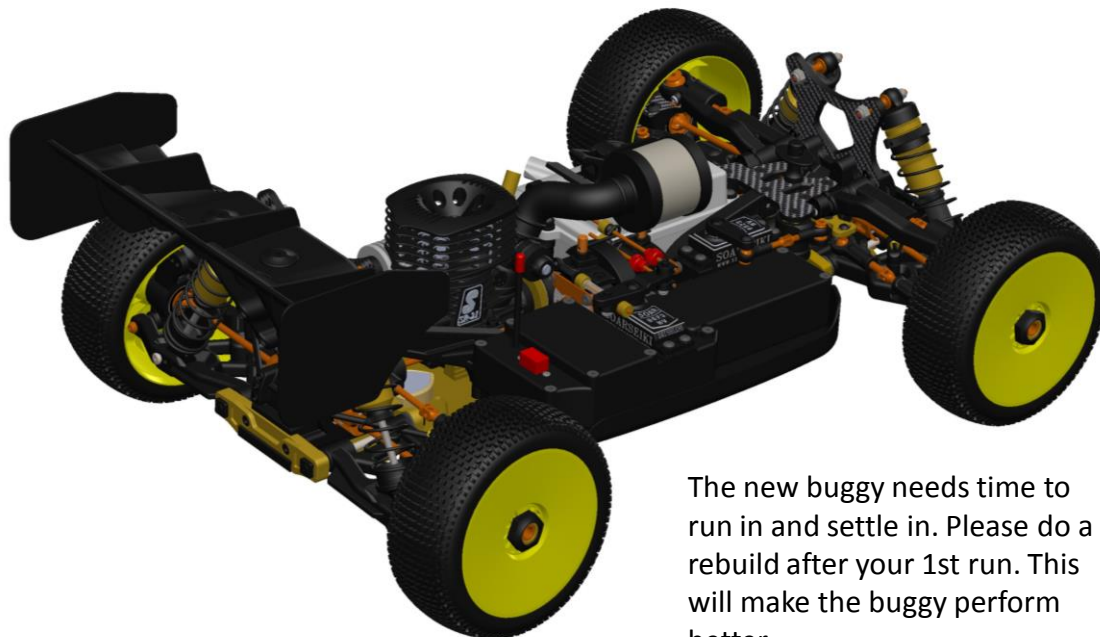


**STEP K-10**



**FINISH**

**FINISH**























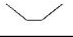


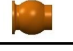



















The new buggy needs time to run in and settle in. Please do a rebuild after your 1st run. This will make the buggy perform better.

**SOAR 2018 S9981706-B TD1R BAG A**





















PICTURES	PARTS No.	S9981706-B-KIT-A1-1	kit QTY	parts QTY
	GR160001	998 TD1 44T FRONT CROWN GEAR	2	1
	GR160002-46	46T STEEL SPUR GEAR	1	1
PICTURES	PARTS No.	S9981706-B-KIT-A1-3	kit QTY	parts QTY
	S998-A04	F/R DIFF OUTDRIVE	4	2
	S998-A03	CENTER DIFF OUTDRIVE	2	2
PICTURES	PARTS No.	S9981706-B-KIT-A1-4	kit QTY	parts QTY
	S998-A07	18T DIFF BEVEL GEAR SET	6	2
		10T DIFF BEVEL GEAR	12	4
PICTURES	PARTS No.	S9981706-B-KIT-A1-5	kit QTY	parts QTY
	PL17070701	DIFF CASE	3	1
PICTURES	PARTS No.	S9981706-B-KIT-A1-6	kit QTY	parts QTY
	S998-A09	DIFF GASKET	3	6
	S998-A11	S998 DIFF. O-RING	6	6
PICTURES	PARTS No.	S9981706-B-KIT-A1-7	kit QTY	parts QTY
	S998-A10	DIFF BEVEL GEAR SHAFT	6	2
PICTURES	PARTS No.	S9981706-B-KIT-A1-8	kit QTY	parts QTY
	WS128160020	12.8*16*0.2MM WASHER	6	10
PICTURES	PARTS No.	S9981706-B-KIT-A1-9	kit QTY	parts QTY
	WS050100020	SHIMS 5*8* 0.2 mm	10	10
PICTURES	PARTS No.	S9981706-B-KIT-A1-10	kit QTY	parts QTY
	S998-A06	DIFF BUSHING	6	2
	SPI022098	DIFF PIN 2.2*9.8	6	6
	SS030120	3x12mm COUNTER SUNK SCREW	12	10
PICTURES	PARTS No.	S9981706-B-KIT-A1-11	kit QTY	parts QTY
	S998-A08	5.1*18*0.4MM DIFF WASHER	6	6
		3.5*10MM DIFF WASHER	12	12
PICTURES	PARTS No.	S9981706-B-KIT-A1-11	kit QTY	parts QTY
	BE127195040	BALL BEARING 12.7x19.05x3.95	4	4
	BE080160050	BALL BEARING 8x16x5	10	6
	BE060100030	BALL BEARING 6*10*3mm	4	4
	SBE050110040	BALL BEARING 5x11x4	4	2

## SOAR 998 TD1 BAG B

PICTURES	Part No.	SOAR 2017 998 BAG-B1-1	kit QTY	Parts Qty
	S998-B01	BULKHEAD R	1	1
		BULKHEAD F	1	1
		ANTI-ROLL BAR MOUNT	2	1
PICTURES	Part No.	SOAR 2017 998 BAG-B1-2	kit QTY	Parts Qty
	CB17051401	998 CARBON FRONT SHOCK TOWER	1	1
	S998-B13	TOE PLATE 7075-T651	1	1
PICTURES	Part No.	SOAR 2017 998 BAG-B1-3	kit QTY	Parts Qty
	SE17072002	TD1R 98mm CENTER REAR CVD SET	1	1
	PL18010401	998 CENTER CVD CAP BUSHING	1	1
	SK050050	5x5mm GRUB SCREW	1	10
PICTURES	Part No.	SOAR 2017 998 BAG-B1-4	kit QTY	Parts Qty
	SG030350	3x35mm CAP SCREW	2	10
	SS030120	3x12mm COUNTER SUNK SCREW	6	10
	GR160003	998 TD1 13T Pinion Gear	1	1
PICTURES	Part No.	SOAR 998 BAG-B2-1	kit QTY	Parts Qty
	PL160001-H	998 TD1 FRONT LOWER SUS.ARM HARD L	1	1
		998 TD1 FRONT LOWER SUS.ARM HARD R	1	1
	S998-B12	FRONT LOWER ARM ANTI-DIVE PLATE	1	1
	PL160003	ECCENTRIC BUSHINGS A	2	2
		ECCENTRIC BUSHINGS B	6	6
		UP ARM BUSHINGS A	2	2
		UP ARM BUSHINGS B	2	2
	SE160004	F&R LOWER SUSPENSION HINGE PIN 70mm	2	2
PICTURES	Part No.	SOAR 998 BAG-B2-2	kit QTY	Parts Qty
	SS030140	3x14mm COUNTER SUNK SCREW	2	10
	SB161102	DOWN STOP SCREW	4	10
	WS041120010	4.1*12*010MM WASHER	14	14
PICTURES	Part No.	SOAR 998 BAG-B2.-3	kit QTY	Parts Qty
	S998-B15	FRONT ANTI-ROLL BAR Ø2.3mm	1	1
PICTURES	Part No.	SOAR 998 BAG-B2-4	kit QTY	Parts Qty
	S998-B16	SWAY BAR BALL JOINT	4	2
		SWAY BAR BALL	2	2
		BALL 6MM	2	2
		3x3mm GRUB SCREW	2	2
		3x12mm GRUB SCREW	2	2
PICTURES	Part No.	SOAR 998 BAG-B2-5	kit QTY	Parts Qty
	SK030050	3x5mm GRUB SCREW	2	10
	SG025080	2.5x8mm CAP SCREW	4	10
	SS030140	3x14mm COUNTER SUNK SCREW	2	10
	SH030160	3x16mm BUTTON SCREW x 10	2	10

PICTURES	Part No.	SOAR 998 BAG-B3-1	kit QTY	Parts QTY
	PL160016	998 TD1 FRONT UPPER ARM L	1	1
		998 TD1 FRONT UPPER ARM R	1	1
	PL160017	998 TD1 FRONT UPPER ARM TIE-ROD END L	1	1
		998 TD1 FRONT UPPER ARM TIE-ROD END R	1	1
	SE160017	998 FRONT UPPER ARM TURNBUCKLE 5*35MM	2	2
	S998-B19	FRONT UPPER ARM HINGE PIN	2	2
	PL160018	HINGEPIN C CLIP 1MM	4	5
		HINGEPIN C CLIP 2MM	4	5
PICTURES	Part No.	SOAR 998 BAG-B3-2	kit QTY	parts QTY
	PL17070702	TD1 DBS STEERING BLOCK L	1	1
		TD1 DBS STEERING BLOCK R	1	1
		FRONT LOWER PILLOW BALL BUSHINGS	2	2
PICTURES	Part No.	SOAR 998 BAG-B3-3	kit QTY	parts QTY
	SE17072004	998 F/R CVD SET 103MM	2	1
	SK050050	5x5mm GRUB SCREW	2	10
	AL160016-05	WHEEL HUB 5.0MM	2	2
	PI030168	WHEEL HUB PIN 3MM*16.8MM	2	4
PICTURES	Part No.	SOAR 998 BAG-B3-4	kit QTY	parts QTY
	S998-B24	S998 ADJUSTING NUT	2	2
	S998-B25	S998 FRONT LOWER PILLOW BALL	2	2
	WS051138	S998 FRONT LOWER PILLOW BALL WASHER	2	2
	SS030100	3x10mm COUNTER SUNK SCREW	4	10
	SH040100	4x10mm BUTTON SCREW	6	10
	SH030100	3x10mm BUTTON SCREW	2	10
	SS030080	3x8mm COUNTER SUNK SCREW	2	10
	SS030120	3x12mm COUNTER SUNK SCREW	4	10
PICTURES	Part No.	SOAR 998 BAG-B3-5	kit QTY	parts QTY
	CB160009	TD1 CARBOM STEERING BLOCK L PLATE	1	1
		TD1 CARBOM STEERING BLOCK R PLATE	1	1
	CB160010	TD1 CARBOM DBS STEERING UP BLOCK L	2	2
PICTURES	Part No.	SOAR 998 BAG-B3-6	kit QTY	parts QTY
	CB160007	998 TD1 TDCARBOM FRONT SUPPORT PLATE	1	1
	AL17071201	7075-T651 FRONT UPPER ARMHOLDER	1	1
	S998-B30	FRONT BODY POST	1	1

## SOAR 998 TD1 BAG C

PICTURES	Part No.	SOAR 998 BAG-C1.1 REAR SUSPENSION	kit QTY	parts QTY
	S998-B01	BULKHEAD R	1	1
		BULKHEAD F	1	1
		ANTI-ROLL BAR MOUNT	2	1
PICTURES	Part No.	SOAR 998 BAG-C1.2	kit QTY	parts QTY
	AL160018	998 CARBON REAR SHOCK TOWER	1	1
	S998-D05	REAR BOBY MOUMT	1	1
	AL17092902	TD1-R REAR LOWER ARM ANTI-SQUAT PLATE 7079-T6	1	1
	GR160003	998 TD1 13T Pinion Gear	1	1
	SG030350	3x35mm CAP SCREW	2	10
	SS030120	3x12mm COUNTER SUNK SCREW	4	10
	SH030120	3x12mm BUTTON SCREW	1	10
PICTURES	Part No.	SOAR 998 BAG-C1.3	kit QTY	parts QTY
	SE17090501	TD1R 103mm CENTER REAR CVD SET	2	1
	SK050050	5x5mm GRUB SCREW	1	10
PICTURES	Part No.	SOAR 998 BAG-C2.1 REAR SUSPENSION	kit QTY	parts QTY
	PL160002-H	998 TD1 REAR LOWER SUS.ARM HARD L	1	1
		998 TD1 REAR LOWER SUS.ARM HARD R	1	1
	SE160004	F&R LOWER SUSPENSION HINGE PIN 70mm	2	2
	AL17092901	TD1-R REAR TOE PLATE 7075-T6	1	1
	PL160003	TOE PLATE BUSHINGS A	2	2
		TOE PLATE BUSHINGS B	2	2
		TOE PLATE BUSHINGS C	2	2
	SG030350	3x35mm CAP SCREW	2	10



PICTURES	Part No.	SOAR 998 BAG-C2.2 REAR SUSPENSION	kit QTY	parts QTY
	S998-C0828	REAR ANTI-ROLL BAR Ø2.8mm	1	1
PICTURES	Part No.	SOAR 998 BAG-C2.3 REAR SUSPENSION	kit QTY	parts QTY
	<b>S998-B16</b>	SWAY BAR BALL JOINT	4	2
		SWAY BAR BALL	2	2
		BALL 6MM	2	2
		3x3mm GRUB SCREW	2	2
		3x12mm GRUB SCREW	2	2
	SK030050	3x5mm GRUB SCREW	2	10
PICTURES	Part No.	SOAR 998 BAG-C2.4 REAR SUSPENSION	kit QTY	parts QTY
	SG025080	2.5x8mm CAP SCREW	4	10
	SH030160	3x16mm BUTTON SCREW	2	10
PICTURES	Part No.	SOAR 998 BAG-C3.1 REAR SUSPENSION	kit QTY	parts QTY
	SE17072001	998 F/R CVD SET 103MM	2	1
	SK050050	5x5mm GRUB SCREW	2	10
	S998-B23	WHEEL HUB 5.0MM	2	2
	PI030168	WHEEL HUB PIN 3MM*16.8MM	2	4
PICTURES	Part No.	SOAR 998 BAG-C3.2 REAR SUSPENSION	kit QTY	parts QTY
	S998-C11	REAR UPRIGHTS	2	1
		REAR UPRIGHTS SIM 2MM	4	4
PICTURES	Part No.	SOAR 998 BAG-C3.3 REAR SWING BAR	kit QTY	parts QTY
	S998-C15	REAR UPPER TURNBUCKLE	2	2
	S998-C14	REAR UPPER BALL JOINT A	2	2
		REAR UPPER BALL JOINT B	2	2
		REAR UPPER BALL 7MM A	2	2
		REAR UPPER BALL 7MM B	2	2
PICTURES	Part No.	SOAR 998 BAG-C3.4 REAR SWING BAR	kit QTY	parts QTY
	SE160005	998 TD1 Rear Hub Carrier Hinge Pin	2	2
	SN030	3.0mm NYLON LOCK NUT	4	10
	SG030100	3*10mm CAP SCREW	2	10
	SH030220	3x22mm BUTTON SCREW	2	10

# SOAR 998 TD1 BAG D

PICTURES	Part No.	998 BAG-D1.1 CHASSIS BRACE & WING STAY	kit	parts
	S998-D01	FRONT CHASSIS BRACE	1	1
	S998-D02	REAR CHASSIS BRACE	1	1
	S998-D03	REAR CHASSIS BRACE MOUNT	1	1
	PL17051401	TD1R WING MOUNT	1	1
		3mm wing mount spacers	1	1
		6mm wing mount spacers	1	1
PICTURES	Part No.	998BAG-D1.2 CHASSIS BRACE & WING STAY	kit QTY	parts QTY
	SN030	3.0mm NYLON LOCK NUT	4	10
	SN040	4.0mm NYLON LOCK NUT	4	10
	SS030120	3x12mm COUNTER SUNK SCREW	2	10
	SH030120	3x12mm COUNTER SUNK SCREW	2	10
	SH030140	3x14mm BUTTON SCREW	2	10
	SH030200	3x20mm BUTTON SCREW	1	10

# SOAR 998 TD1 BAG E

PICTURES	Part No.	SOAR 998 BAG-E1.1 STEERING	kit QTY	parts QTY
	S998-E01	SERVO SAVER UP ARM R	1	1
		SERVO SAVER ARM R	1	1
		SERVO SAVER ARM L	1	1
		SERVO SAVER SPRING MOUNT	1	1
PICTURES	Part No.	SOAR 998 BAG-E1.2 STEERING	kit QTY	parts QTY
	S998-E09	998 Steering Rack Bushings	2	2
PICTURES	Part No.	SOAR 998 BAG-E1.3 STEERING	kit QTY	parts QTY
	S998-E03	STEERING BALL JOINT A	2	2
		STEERING BALL JOINT B	2	2
		STEERING BALL	4	4
PICTURES	Part No.	SOAR 998 BAG-E1.3 STEERING	kit QTY	parts QTY
	S998-E04	STEERING TURNBUCKLE 4*45MM	2	2
PICTURES	Part No.	SOAR 998 BAG-E1.3 STEERING	kit QTY	parts QTY
	S998-E05	SERVO SAVER SHAFT	2	2
	AL160013	SERVO SAVER PIPE	1	1
	AL160014	SERVO SAVER SHAFT NUT	1	1
		SERVO SAVER SHAFT NUT O-RING	1	1
	S998-E07	STEERING SPRING	1	1
	S998-E08	CNC STEERING PLATE 7075-T6	1	1
	SS030100	3x10mm COUNTER SUNK SCREW	2	10
	SH030100	3x10mm BUTTON SCREW	4	10

























## SOAR 2018 S9981706-B TD1R BAG F

PICTURES	Part No.	SOAR 998 BAG-F1.1 CENTER & BRAKE	kit QTY	parts QTY
	S998-G01	CENTER DIFF MOUNT TOP PLATE	1	1
		CENTER FRONT DIFF MOUNT	1	1
		CENTER REAR DIFF MOUNT	1	1
		BRAKE DISK MOUNT	2	2
PICTURES	Part No.	SOAR 998 BAG-F1.2 CENTER & BRAKE	kit QTY	parts QTY
	S998-G02	FRONT BRAKE CAM SET	1	1
	S998-G03	REAR BRAKE CAM SET	1	1
	S998-G04	BRAKE CAM ROD	2	2
PICTURES	Part No.	SOAR 998 BAG-F1.3 CENTER & BRAKE	kit QTY	parts QTY
	SE160015	BRAKE DISK	2	2
PICTURES	Part No.	SOAR 998 BAG-F1.4 CENTER & BRAKE	kit QTY	parts QTY
	CB160006	998 TD1 RACING BRAKE PAD F	2	2
	SP17111901	BREAK SPRING	4	4
	SE17111901	3x14mm BREAK SCREW	4	10
PICTURES	Part No.	SOAR 998 BAG-F1.5 CENTER & BRAKE	kit QTY	parts QTY
	SK030030	3x3mm GRUB SCREW	2	10
	SS030060	3x6 mm COUNTER SUNK SCREW	2	10
	SS030120	3x12mm COUNTER SUNK SCREW	4	10
	SS040120	4x12mm COUNTER SUNK SCREW	4	10

## SOAR 998 TD1 BAG G

SOAR 998 TD1 BAG G				
PICTURES	Part No.	SOAR 998 BAG-G1-1 CHASSIS	kit QTY	parts QTY
	AL168001	998 TD1 SWISS 7075-T6 CHASSIS	1	1
PICTURES	Part No.	SOAR 998 BAG-G1-2 CHASSIS	kit QTY	parts QTY
	S998-F02	FRONT BUMPER	1	1
		REAR BUMPER	1	1
PICTURES	Part No.	SOAR 998 BAG-G1-3 CHASSIS	kit QTY	parts QTY
	S998-F03	CHASSIS SIDE GUARDS L	1	1
		CHASSIS SIDE GUARDS R	1	1
PICTURES	Part No.	SOAR 998 BAG-G1-4 CHASSIS	kit QTY	parts QTY
	SS030060	3x6 mm COUNTER SUNK SCREW	6	10
	SS040100	4x10mm COUNTER SUNK SCREW	2	10
	SS040120	4x12mm COUNTER SUNK SCREW	4	10
	SS040160	4x16mm COUNTER SUNK SCREW	8	10

# SOAR 998 TD1 BAG H






















PICTURES	Part No.	SOAR 998 BAG-H1.1 FUEL TANK	kit QTY	parts QTY
	S998-H01	FUEL TANK	1	1
		FUEL LINE HOLD	1	1
	RU160003	FUEL TANK BUSHING	2	2
	S998-H02	FUEL TANK POST	2	2
	SH030080	3x8mm BUTTON SCREW	1	10
	SH030180	3x18mm BUTTON SCREW	2	10
	SS030060	3x6mm COUNTER SUNK SCREW	3	10
	SS040100	4x10mm COUNTER SUNK SCREW	2	10
PICTURES	Part No.	SOAR 998 BAG-H1.2 ENGINE MOUNT	kit QTY	parts QTY
	S998-H03	ENGINE MOUNT L	1	1
		ENGINE MOUNT R	1	1
	SB070-00	ENGINE SCREW 4*8mm	4	4
	SG025120	2.5x12mm CAP SCREW	4	10
PICTURES	Part No.	SOAR 998 BAG-H1.3 ENGINE	kit QTY	parts QTY
	SEN001-162	ALUMINIUM CLUTCH SHOES SET 1.62g	3	3
		CLUTCH SPRING 1.0mm	3	3
PICTURES	Part No.	SOAR 998 BAG-H1.3 ENGINE	kit QTY	parts QTY
	SE160018	1/8 BUGGY FLYWHEEL NUT	1	1
	S998-H05	1/8 BUGGY CLUTCH BELL 13T	1	1
	S998-H06	3 SHOE FLYWHEEL	1	1
	SBE050100040	BALL BEARING 5x10x4	2	2
	WS050100010	SHIMS 5*8* 0.2 mm	6	10
	SS030080	3x8mm COUNTER SUNK SCREW	1	10
PICTURES	Part No.	SOAR 998 BAG-H1.4 ENGINE	kit QTY	parts QTY
	S998-H08	EXHAUST POST SET	1	1
	SP160005	EXHAUST POST SPRING	1	1
	SK040040	4x4mm GRUB SCREW	1	10
	SS040110	4x10mm COUNTER SUNK SCREW	1	10



# SOAR 998 TD1 BAG I



































PICTURES	Part No.	SOAR 998 BAG-I 1.1 RADIO	kit QTY	parts QTY
	S998-I01	RADIO BOX	1	1
		RADIO BOX A	1	1
		RADIO BOX B	1	1
		RADIO BOX C	1	1
		RADIO BOX D	2	2
PICTURES	Part No.	SOAR 998 BAG-I 1.2 RADIO	kit QTY	parts QTY
	SS030110	3x10mm COUNTER SUNK SCREW	8	10
	SS030160	3x16mm COUNTER SUNK SCREW	2	10
	SG025160	2.5x16mm CAP SCREW	2	10
PICTURES	Part No.	SOAR 998 BAG-I 1.2 RADIO	kit QTY	parts QTY
	S998-I02	STEERING SERVO TIE-ROD END	2	2
		STEERING SERVO TIE-ROD END SET	2	2
		SERVO TURNBUCKLE 3*35MM	1	1
	SH030100	3x10mm BUTTON SCREW	2	10
	SH030120	3x12mm BUTTON SCREW	4	10
	SH030200	3x20mm BUTTON SCREW	4	10
	SS040110	4x10mm COUNTER SUNK SCREW	7	10

# SOAR 998 TD1 BAG J

PICTURES	Part No.	SOAR 998 BAG-J 1.1 SHOCK	kit QTY	parts QTY
	S998-J01	FRONT SHOCK CASE	2	2
	S998-J16	REAR SHOCK CASE	2	2
	S998-J03	SHOCK CAP	4	2
	S998-J04	ALUMINUM LOWER SHOCK NUT	4	4
	S998-J02	SHOCK SPRING NUT	4	2
		SHOCK SPRING NUT O-RING	4	2
PICTURES	Part No.	SOAR 998 BAG-J 1.1 SHOCK	kit QTY	parts QTY
	SP160700950-LG	FRONT SHOCK SPRING 1.6/70/9.5T	2	2
	SP160861050-LG	REAR SHOCK SPRING 1.6/86/10.5T	2	2
PICTURES	Part No.	SOAR 998 BAG-J 1.1 SHOCK	kit QTY	parts QTY
	S998-J13	FRONT RUBBER SHOCK BOOT	2	2
		REAR RUBBER SHOCK BOOT	2	2
	S998-J10	SHOCK DIAPHRAM	4	4
PICTURES	Part No.	SOAR 998 BAG-J 1.2 REAR SHOCK	kit QTY	parts QTY
	S998-J06	FRONT SHOCK SHAFT	2	2
	S998-J17	REAR SHOCK SHAFT	2	2
	SN025	2.5mm NYLON LOCK NUT x 10 螺帽	4	10
	WS026050050	SHOCK SHAFT WASHER	4	10
PICTURES	Part No.	SOAR 998 BAG-J 1.2 REAR SHOCK	kit QTY	parts QTY
	S998-J05	SHOCK REBUILED 2mm	4	4
		SHOCK REBUILED 1mm	4	4
		SHOCK REBUILED O-RING	8	8
	S998-J07	SHOCK PISTON 8x1.2mm	4	4
PICTURES	Part No.	SOAR 998 BAG-J 1.3 REAR SHOCK	kit QTY	parts QTY
	S998-J11	SHOCK CAP BUSHING	4	4
		SHOCK CAP BUSHING WASHER	4	4
	S998-J14	SHOCK ENDS	4	4
		BALL 6MM	4	4
	S998-J12	SHOCK SPRING RETAINER	4	4
	SH030110	3x10mm BUTTON SCREW	4	10
PICTURES	Part No.	SOAR 998 BAG-J 1.4 REAR SHOCK	kit QTY	parts QTY
	S998-K03	SHOCK PIVOT MOUNT	4	4
	SN030	3.0mm NYLON LOCK NUT	4	10
	SN040	4.0mm NYLON LOCK NUT	4	10
	SE160016	998 Lower Shock Pins	4	4
	SK030050	3x5mm GRUB SCREW	4	10



## 998 TD1 BAG K

PICTURES	Part No.	SOAR 998 BAG-K 1.1 FINAL	kit QTY	parts QTY
	BD160003	998 TD1 BODYSHELL V3 (CLEAR)	1	1
PICTURES	Part No.	SOAR 998 BAG-K 1.2 FINAL	kit QTY	parts QTY
	S998-K02	THROTTLE LINK	1	1
		BRAKE LINK A	1	1
		BRAKE LINK B	1	1
		BRAKE LINK BALL	2	2
		THROTTLE TIE-ROD END	1	1
		BRAKE LINK NUT JOINTS	2	2
		HOLDER NUT	4	4
		THROTTLE LINK SPAING	1	1
		BRAKE/THROTTLE LINK SHAFT	3	3
	SK030030	3x3mm GRUB SCREW	6	
	SG025120	2.5x12mm CAP SCREW	1	
	SG025160	2.5x16mm CAP SCREW	1	
	SN025	2.5mm NYLON LOCK NUT	2	
PICTURES	Part No.	SOAR 998 BAG-K 3 FINAL	kit QTY	parts QTY
	PL160012B	998 1/8 Buggy High Down Force Wing Black	1	1
PICTURES	Part No.	SOAR 998 BAG-K 3.1 FINAL	kit QTY	parts QTY
	S998-K08	17mm Wheel Nut	4	4
	S998-K16	WING STAY WASHER	2	2
	SS030120	3x12mm COUNTER SUNK SCREW	2	10
	SN030	3.0mm NYLON LOCK NUT	2	10
PICTURES	Part No.	SOAR 998 BAG-K 4 FINAL	kit QTY	parts QTY
	PL18010301	LOW PROFILE AIR MOUNT	1	1
	S998-B16	SWAY BAR BALL JOINT	4	2
	SS030060	BALL 6MM	4	4
	SH030200	3x20mm BUTTON SCREW	4	10
	SH030140	3x14mm BUTTON SCREW	4	10
PICTURES	Part No.	SOAR 998 BAG-K 4.1 FINAL	kit QTY	parts QTY
	SAC003-20	BODY CLIP 1/8	2	20
PICTURES	Part No.	SOAR 998 BAG-K 1.6 FINAL	kit QTY	parts QTY
	OL0001500	SILICONE OIL 500 cts	1	1
	OL0001600	SILICONE OIL 600cts	1	1
	OL0002030	SILICONE OIL 3000cts	1	1
	OL0002050	SILICONE OIL 5000 cts	1	1
	OL0002070	SILICONE OIL 7000cts	1	1
PICTURES	Part No.	SOAR 998 BAG-K 1.7 FINAL	kit QTY	parts QTY
	N/A	998 TD1 MANUAL 2017	1	1
	ST160001	998 PRO STICKERS	1	1
	ST160002	RADIO BOX STICKERS	1	1
	ST160003	WING STICKERS	1	1
		998 TD1 SETUP SHEET	1	1