

FEINI SERIES STEAM CHAMBERS

USER'S MANUAL



B609\B609A

FEINI SERIES STEAM CHAMBERS

Statement

- 1、 The company reserves the right to modify the appearance and parts of the product without prior notice. For dimensions and colors of the products, the physical products prevail.
- 2、 In case of maintenance, only authorized maintenance personnel by the manufacturer or agent can do this, otherwise, products will no longer enjoy guaranty, and the company will not be responsible for any loss triggered thereby.
- 3、 This manual is only for reference. Any change or update in design and description will be done without prior notice.(You are expected to forgive us if there is any error, missing or translation error in the manual)

Contents



- Preface 1
- Structural illustration of B609(L)\B609A(L) 5
- Structural illustration of B609(R)\B609A(R) 6
- Cross sectional illustration of aluminum materials 7
- Cross sectional illustration of adhesive tape 7
- Recommendation tool (user-owned) 7
- Installation of screws 7
- Water and supply installation of B609\B609A 8
- Electric parameters for 9
- Installation procedures of B609\B609A 9

PREFACE

Dear customer,

Thank you very much for your purchase of our LUXURY series steam bathroom. Our product is a new generation of healthy and relaxing product carefully made of high quality materials, with the characteristics of simple, natural, comfortable, practical, inexpensive and high quality. It will bring to you endless fun of relaxing and bathing. If further information is required, visit our website www.ssw.com.cn. After unpacking, please check if any part is missed with reference to the general diagram, carefully analyze the installation location for the product and its accessories, and assemble in accordance with the following installation instructions. Preparation for installation

IMPORTANT SAFETY INSTRUCTIONS

THE INSTRUCTIONS PERTAINING IS TO A RISK OF FIRE , ELECTRIC SHOCK , OR INJURY TO PERSONS.

WARNING

When using this unit , basic precautions should always be followed , including the following:

1. READ AND FOLLOW ALL INSTRUCTION.

2.DANGER: To reduce the risk of injury: do not permit children to use this unit unless they are closely supervised all the times.

3.Use this only for its intended use as described use as in this manual: do not use attachments not recommended by the manufacturer.

4.Never drop or insert any object into any opening,

5.Do not operate this unit without the guard over the suction fitting.

6.The unit must be connected to supply circuit that is protected by a ground-fault circuit-interrupter (GFCI). Such a GFCI should be provided by the installer and should be tested on a routing basis . To test the GFCI ,push the test button, the GFCI should interrupt power .Push the reset button. Power should be restored. If the GFCI fails to operate in this matter , the GFCI is defective. If the GFCI interrupter power to the bathtub without the test button is being pushed, ground current is flowing ,indicating the possibility of an electric shock . Do not use this hydro massage bathtub and have the problem corrected by a qualified service representative before using.

7.(For permanently connected units) A green-colored terminal(or a wire connector marked "G" "GR" Or "Ground ") is provided within the terminal compartment. To reduce the risk of electric shock , connect this terminal or connector to the grounding terminal of your electric service or supply panel with a connector equivalent in size to the circuit conductors supplying this equipment.

SAVE THESE INSTRUCTIONS

IMPORTANT SAFETY INSTRUCTIONS

READ AND FOLLOW ALL INSTRUCTION

SAVE THESE INSTRUCTIONS

WARNING

- A. RISK OF ACCIDENTAL INJURY OR DROWNING: CHILDREN SHOULD NOT USE HYDRO MASSAGE BATHTUB WITHOUT ADULT SUPERVISION;**
- B. RISK OF ACCIDENTAL INJURY OR DROWNING: DO NOT USE HYDRO MASSAGE BATHTUB;**
- C. TO AVOID INJURY , EXERCISE CARE WHEN ENTERING OR EXITING THE HYDRO MASSAGE BATHTUB;**
- D. RISK OF ACCIDENTAL INJURY OR DROWNING ; DRUGS OR ALCOHOL BEFORE OR DURING THE USE OF A HYDRO MASSAGE BATHTUB EQUIPPED WITH HEATER TO AVOID UNCONSCIOUSNESS AND POSSIBLE;**
- E. Excessive temperatures have a high potential for causing fetal damage during the early months of pregnancy. Pregnant or possibly pregnant women should consult a physician regarding correct exposure.**
- F. RISK OF FETAL INJURY ; PREGNANT OR POSSIBLY PREGNANT WOMAN SHOULD CONDUCT A PHYSICIAN BEFORE USING A HYDRO MASSAGE BATHTUB EQUIPPED WITH HEARER;**
- G. RISK OF HYPOTHERMIA AND POSSIBLE DROWNING : DO NOT USE A HYDRO MASSAGE BATHTUB EQUIPPED WITH HEATER IMMEDIATELY FOLLOWING STRENUOUS EXERCISE;**
- H. RISK OF ELECTRIC SHOCK; DO NOT PERMIT ELECTRIC APPLIANCES (SUCH AS A HAIR DRYER, LAMP, TELEPHONE, RADIO , OR TELEVISION) WITHIN 1.5M OF THIS HYDRO MASSAGE BATHTUB;**
- I. CAUTION: TEST THE GROUND FAULT CIRCUIT INTERRUPTER PROTECTING THIS APPLIANCE PERIODICALLY IN ACCORDANCE WITH THE MANUFACTURER S INSTRUCTION ;**

J. RISK OF HYPOTHERMIA POSSIBLE DROWNING ; WATER TEMPERATURE IN EXCESS OF 38 MAY BE INJUDICIOUS TO YOUR HEALTH;

K. Obese persons and persons with a history of heart disease, low or high blood pressure, circulatory system problems, or diabetes should consult a physician before using a steambath.

Hyperthermia occurs when the internal temperature of the body reaches a level several degrees above the normal body temperature of 98.6 F. The symptoms of hyperthermia include an increase in the internal temperature of the body, dizziness, lethargy, drowsiness, and fainting. The effects of hyperthermia include:

- a) Failure to perceive heat,
- b) Failure to recognize the need to exit the hydromassage bathtub,
- c) Unawareness of impending hazard,
- d) Fetal damage in pregnant women,
- e) Physical inability to exit the hydromassage bathtub, and
- f) Unconsciousness resulting in the danger of drowning.

WARNING The use of alcohol, drugs, or medication can greatly increase the risk of fatal hyperthermia.

H. The wet surfaces of steam enclosures may be slippery. Use care when entering or leaving.

I. The steam head is hot. Do not touch the steam head and avoid the steam near the steam head.

J. Prolonged use of the steam system can raise excessively the internal human body temperature and impair the body's ability to regulate its internal temperature (hyperthermia). Limit your use of steam to 10-15 minutes into; you are certain of your body's reaction.

K. Persons using medication should consult a physician before using a steambath since some medication may induce drowsiness while other medications may affect heart rate, blood pressure and circulation.

L. FOR HOUSEHOLD AND INDOOR USE ONLY:
M. NOT FOR SPACING HEATING PURPOSES.

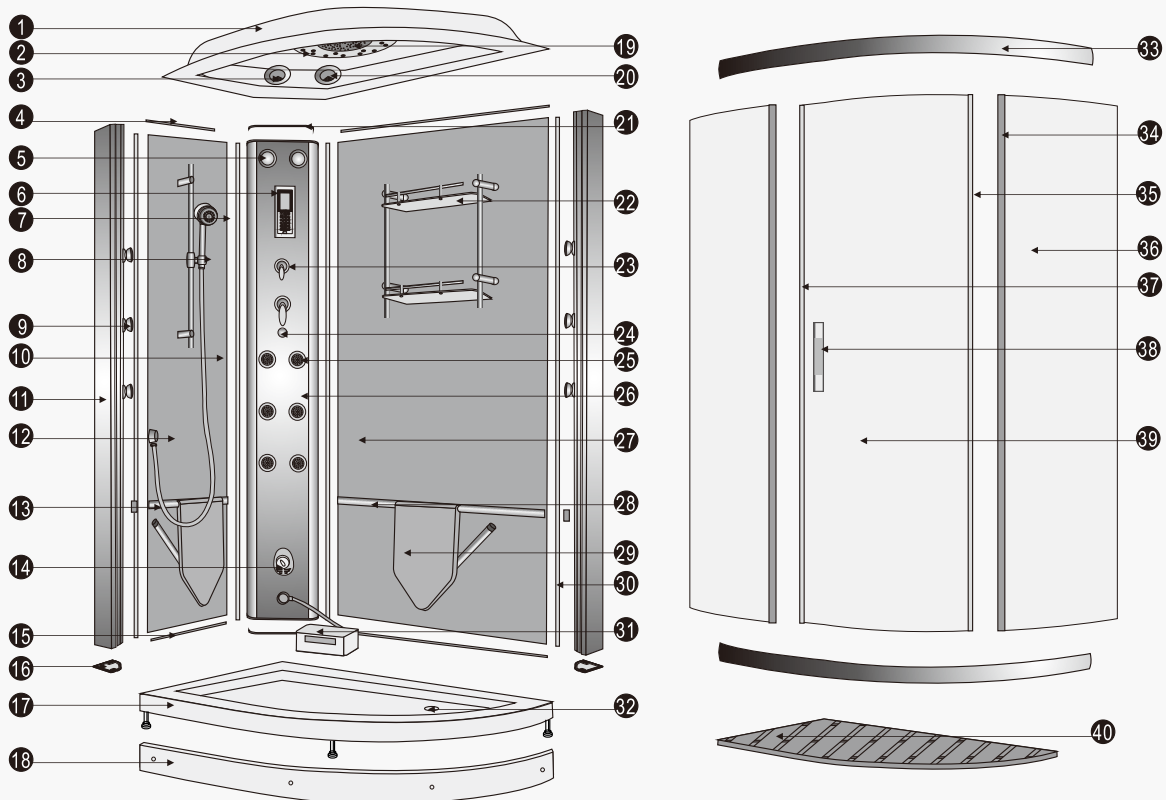
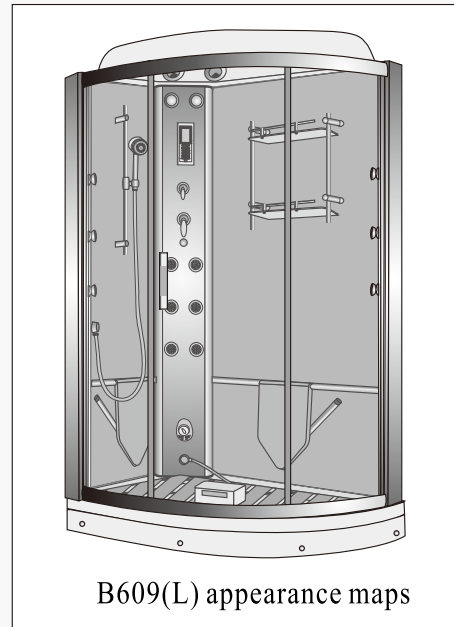
**SAVE THESE INSTRUCTIONS
INSTALLATION INSTRUCTIONS**

WARNING-When using electric products, basic precautions should always be followed , including the following;

- 1.DANGER; RISK OF ELECTRIC . Connect only to a circuit protected by a ground-fault circuit-interrupter.**
- 2. Grounding is required . The unit should be installed by a qualified service representative and ground.**
- 3 . INSTALL TO PERMIT ACCESS FOR SERVING.**
- 4. An equipment -grounding terminal is provided in the fled-wiring compartment . To reduce the risk of electric shock , this terminal must be connected to the grounding means provided in the electric supply panel with a conductor equivalent in size to the circuit conductors supplying this equipment.**
- 5. INSTALL THIS UNIT IN ACCORDANCE WITH THE CANADIAN ELECTRICAL CODE PART . IF THE UNIT IS SOLD IN CANADA.**
- 6.Steam Shower Room and Hydromassage with different poer source syst em:**
 - Steam Shower Room:240V~ ,60Hz ,3.6kW**
- 7.After installation**
 - To have no valleys or dips in the output steam line.**
 - Not to install a valve in the steam line**
 - Not to connect the drain valve into the steam line**
 - Not to connect the over-pressure device output into the steam lien.**

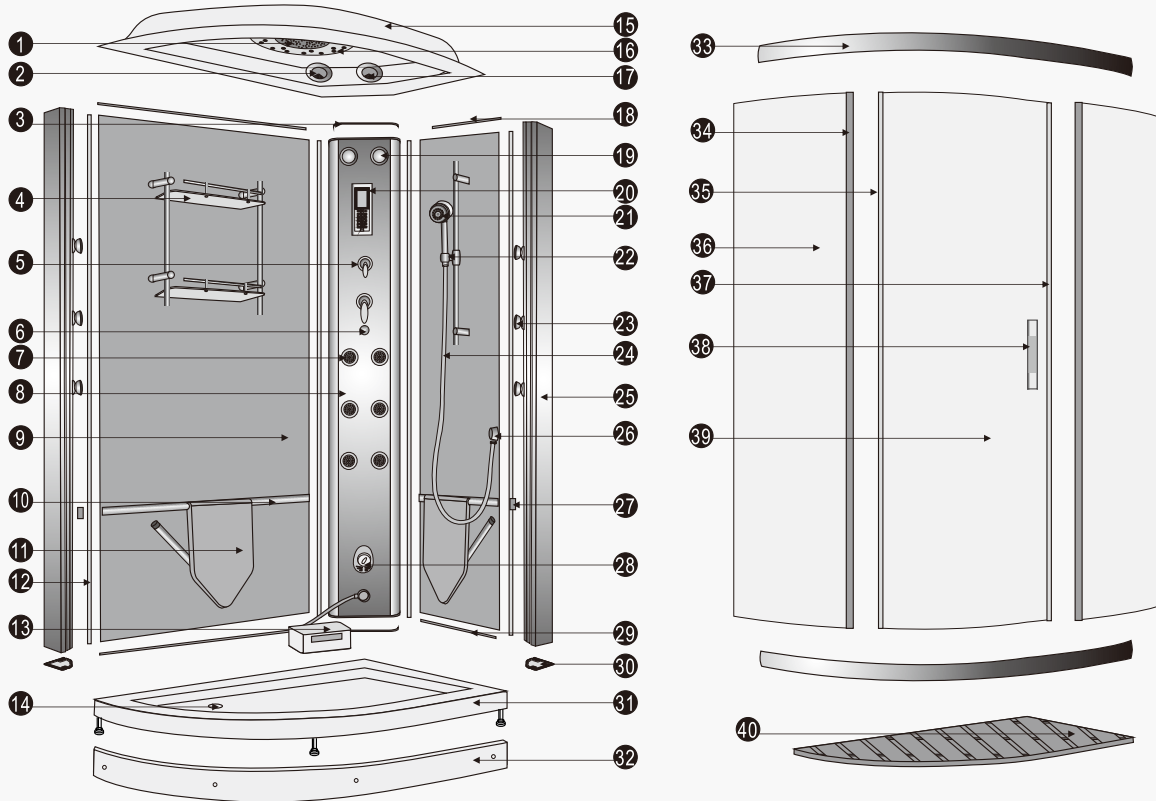
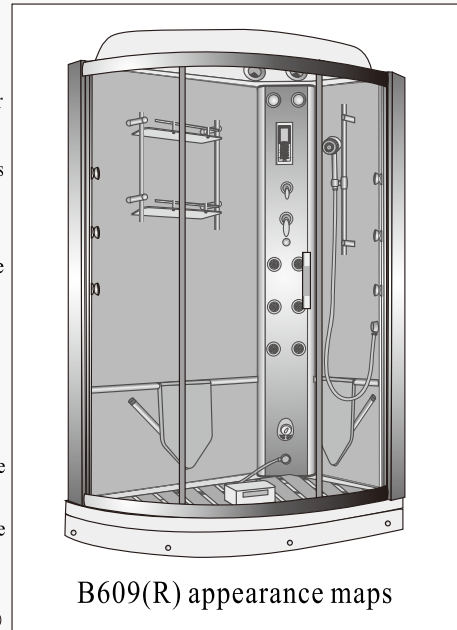
Structural illustration of B609(L)\B609A(L)

- | | |
|--|--|
| 1 Top cover | 21 FN001 aluminum rubber pad |
| 2 Starry lights | 22 Dual-layer rack |
| 3 Fan | 23 Single handle |
| 4 305B diamond waterproof tape | 24 Cleaning cover |
| 5 BF600 color light | 25 Cow-eye shower head |
| 6 Control panel | 26 FN001 aluminum material |
| 7 Hand Shower | 27 Coated Glass (Note : Ex B609(L) band network) |
| 8 71 copper lifting support | 28 Stainless steel beam |
| 9 Big eight-hole shower head | 29 Foldable desk |
| 10 Silver pipe | 30 Single-side adhesive tape |
| 11 FN002 aluminum materials | 31 Feet massaging device |
| 12 Shower head water supply connection bas | 32 Draining device |
| 13 Watertight beam | 33 FN004A aluminum material |
| 14 Medical bathing box | 34 FN006 aluminum material |
| 15 307 waterproof adhesive tape | 35 304C waterproof adhesive tape |
| 16 FN002 aluminum rubber pad | 36 Fixed glass door |
| 17 Bottom basin | 37 304D waterproof adhesive tape |
| 18 Apron plate | 38 Stainless steel handle |
| 19 D290 top spout | 39 Movavle glass door |
| 20 Speaker | 40 Wooden floor---only for B609 (L) |

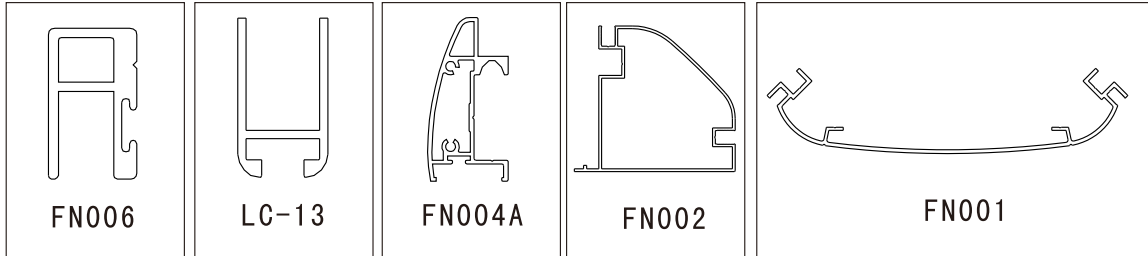


Structural illustration of B609(L)\B609A(L)

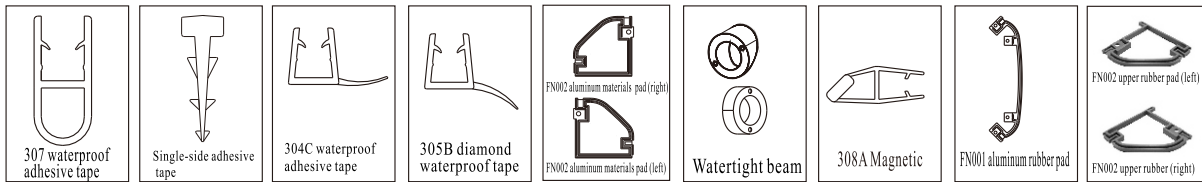
- | | |
|---|--|
| ① D290 top spout | ②① Hand Shower |
| ② Speaker | ②② 71 copper lifting support |
| ③ FN001 aluminum rubber pad | ②③ Big eight-hole shower head |
| ④ Dual-layer rack | ②④ 1.5mChrome chain without cover |
| ⑤ Single handle | ②⑤ FN002 aluminum material |
| ⑥ Cleaning cover | ②⑥ Shower head water supply connection bas |
| ⑦ Cow-eye shower head | ②⑦ Watertight beam |
| ⑧ FN001 aluminum material | ②⑧ Medical bathing box |
| ⑨ Coated Glass (Note : Ex B609(R) band network) | ②⑨ 307 waterproof adhesive tape |
| ⑩ Stainless steel beam | ③⑩ FN002 aluminum rubber pad |
| ⑪ Foldable desk | ③⑪ Bottom basin |
| ⑫ Single-side adhesive tape | ③⑫ Apron plate |
| ⑬ Feet massaging device | ③⑬ FN004A aluminum material |
| ⑭ Draining device | ③⑭ FN006 aluminum material |
| ⑮ Top cover | ③⑮ 304C waterproof adhesive tape |
| ⑯ Starry lights | ③⑯ Fixed glass door |
| ⑰ Fan | ③⑰ 304Dwaterproof adhesive tape |
| ⑱ 305B diamond waterproof tape | ③⑱ Stainless steel handle |
| ⑲ BF600 color light | ③⑲ Movavle glass door |
| ⑳ Control panel | ④⑰ Wooden floor---only for B609 (R) |



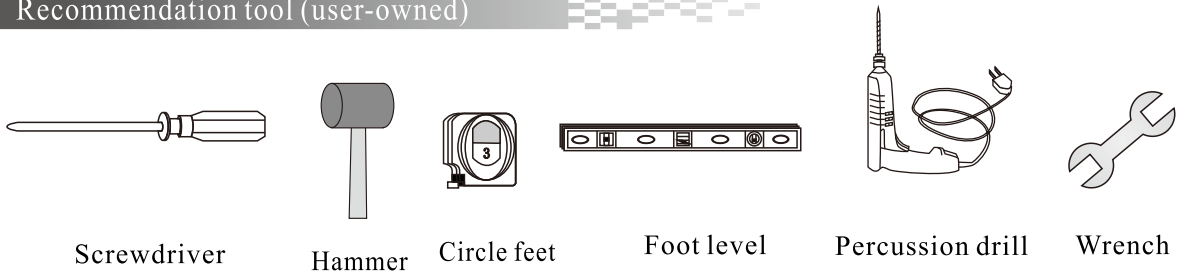
Cross sectional illustration of aluminum materials



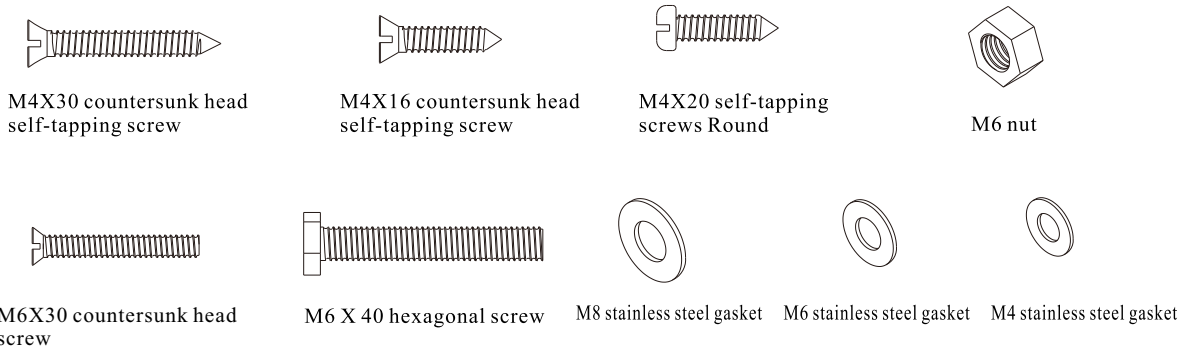
Cross sectional illustration of adhesive tape



Recommendation tool (user-owned)



Installation of screws

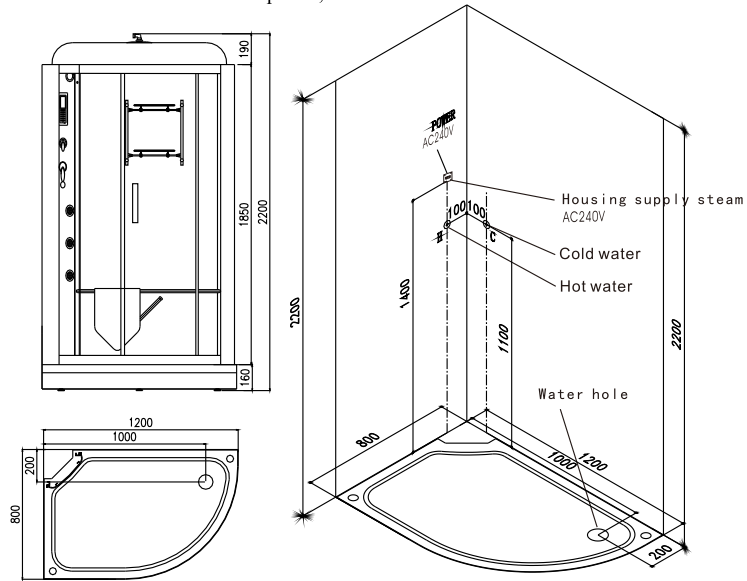


Water and supply installation of B609\B 609A

B609 (L) \ B609A (L) : 1200X800X2200

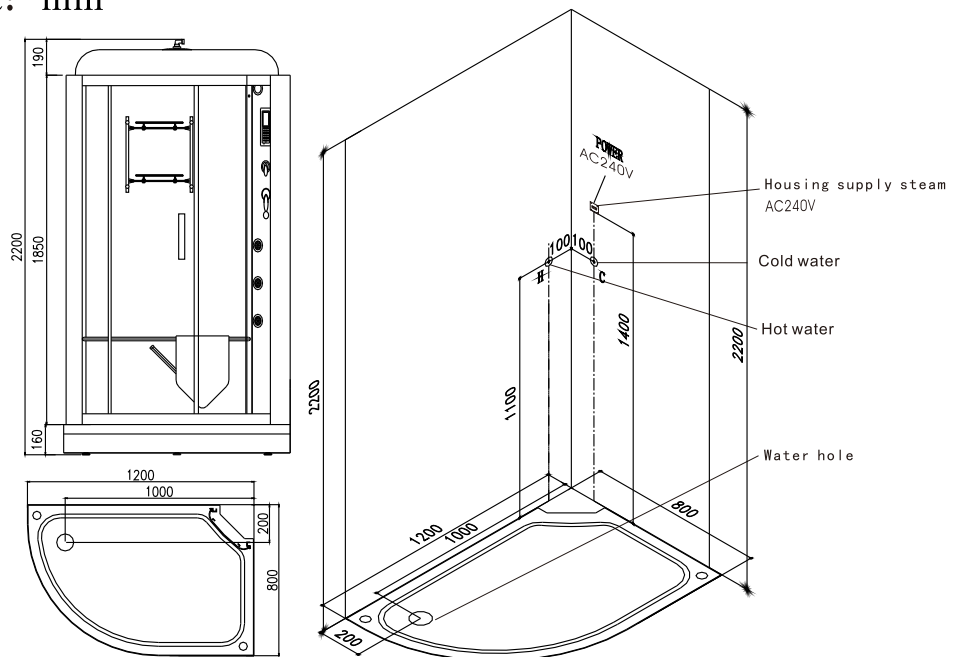
Unit: mm

The zero line, live line, and grounding line of indoor power sockets have to be in strict compliance with standard configurations. Prior to connecting hot and cold water pipes, please connect the corresponding pipes on the backplane, and secure them.



B609 (R) \ B609A (R) : 1200X800X2200

Unit: mm



ELECTRIC PARAMETERS FOR

Power supply		Steaming machine parameters				
Voltage	Frequency	Model	Rated power	Current	Waterproof grade	Anti electric shock grade
AC240V	60Hz	E-BF600B	3.6KW	15A	IPX4	Grade 1

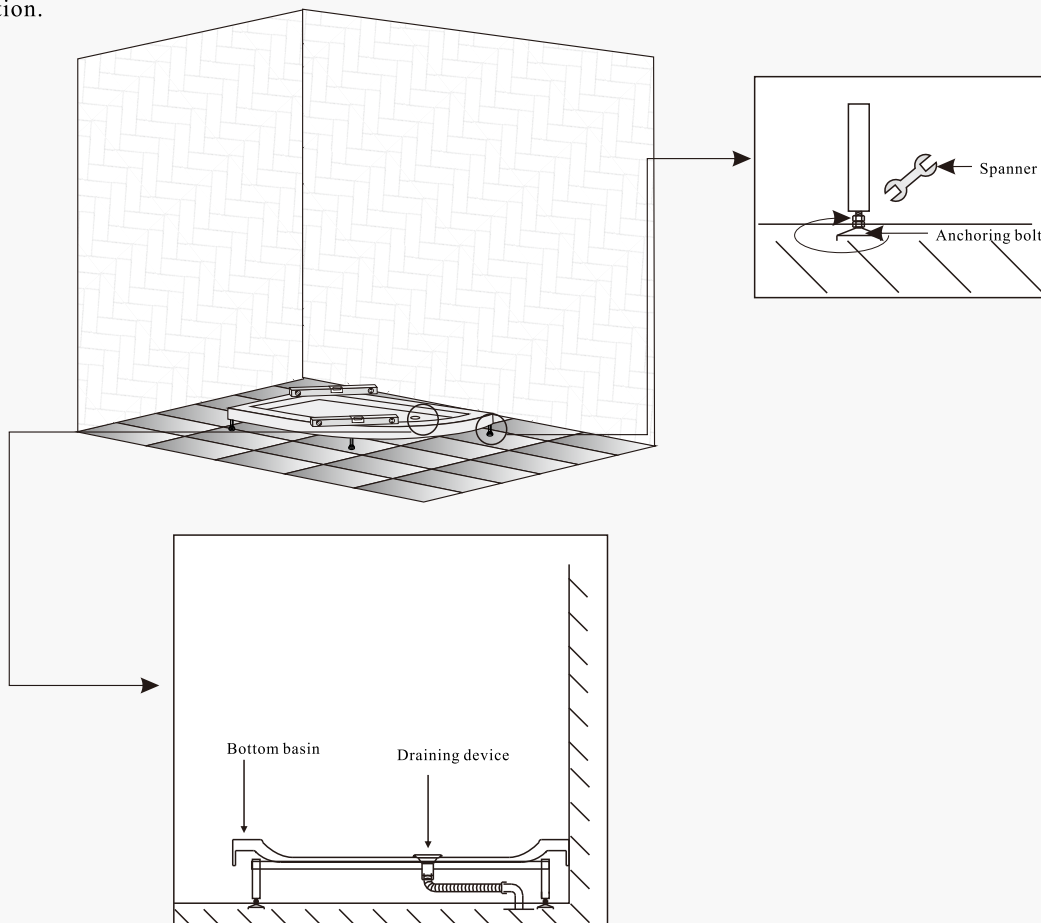
B609\B609A

Installation procedures

I. Bottom basin installation (Fig. 1):

remove the apron plate from the bottom basin with your hands.

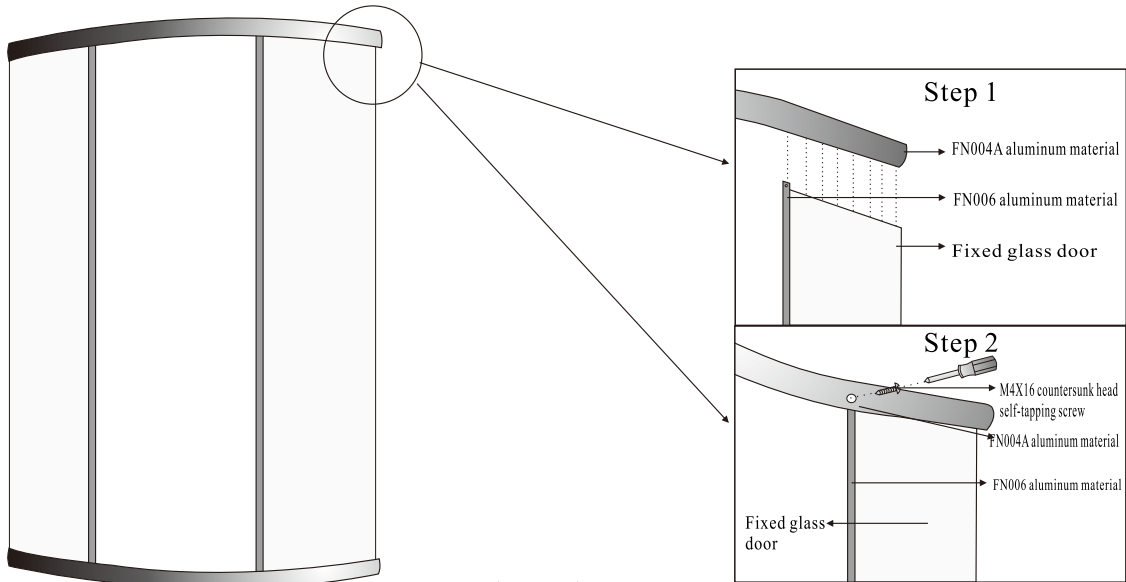
of the bottom basin is as close to the wall as possible, place the horizontal ruler on the surface of the bottom basin, use a spanner to adjust the anchoring bolts of the bottom basin up to the surface level, so that there is no swing for the bottom basin. Check whether there is sufficient space for the drainpipes for connection with the drainage. To facilitate the following construction, you can move the bottom basin by a small margin, and then relocate it after installation.



(Fig. 1)

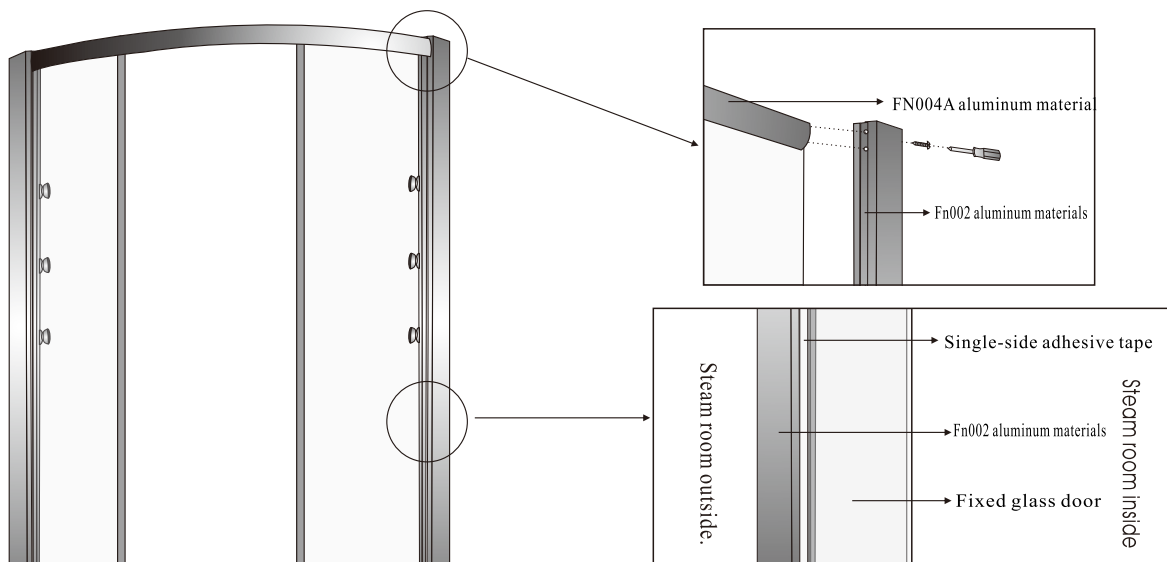
II. Glass door installation:

1. First get out aluminum material FN002, base aluminum FN004A, and FN006 aluminum materials such as that for fixing glass, then connect fixing glass on both sides with base aluminum FN004A (use M4 x 16 countersunk hand self-tapping screws for fixing), as shown in Fig. 2.



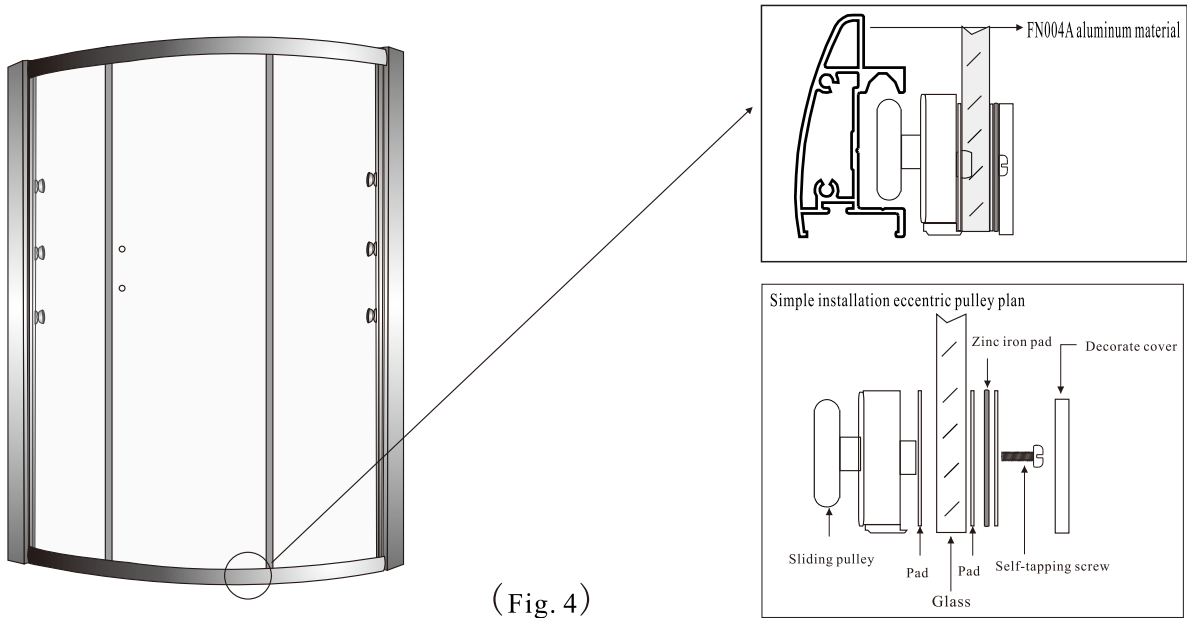
(Fig. 2)

2. Connect FN002 aluminum materials to both sides of FN004 elbow aluminums, use M4 x 30 countersunk head self-tapping screws for fixing, and then apply single-side adhesive tapes after connection and securing, as shown in Fig. 3.



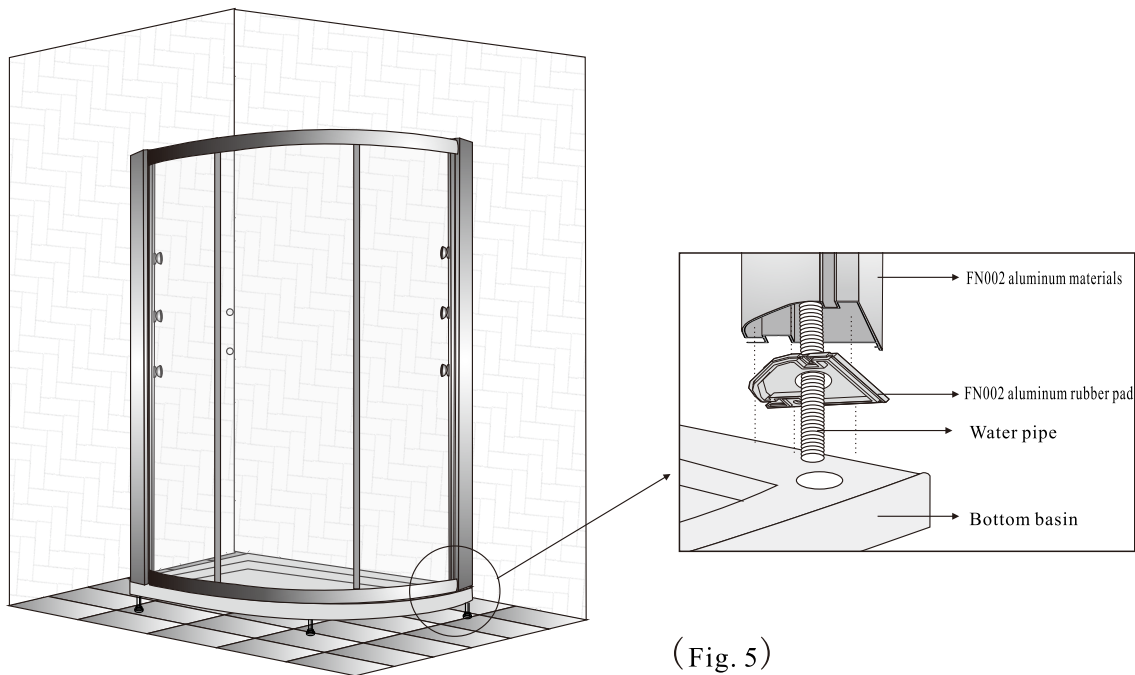
(Fig. 3)

3. Take out the movable glass door, and apply the two pieces of movable glass (with pulleys) to the FN004A elbow aluminum slide rails, as shown in Fig. 4.

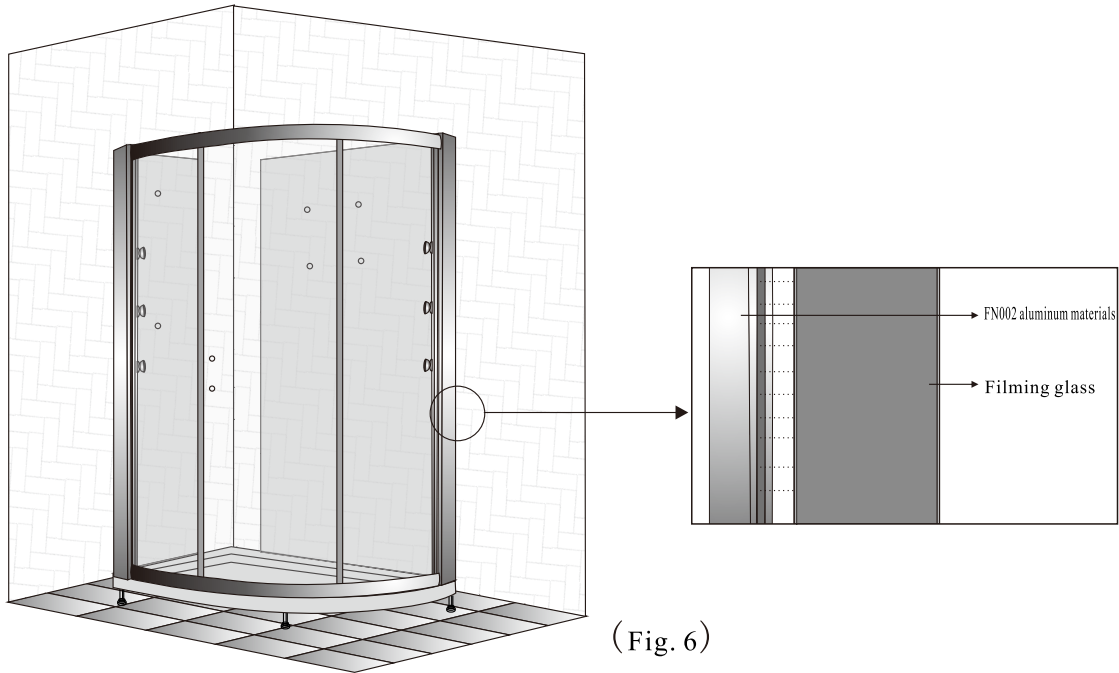


III. Chamber body installation

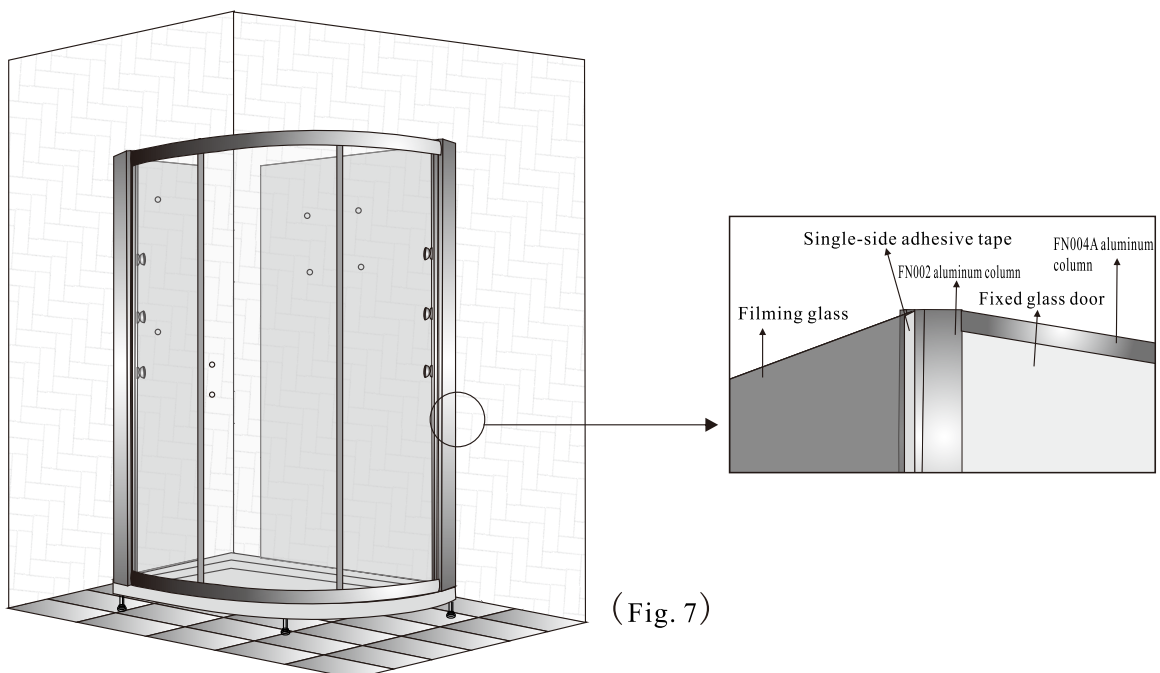
1. Apply rubber pads to the bottom of the FN002 aluminum materials of the preinstalled glass door, and then install the whole glass door onto the bottom basin. (Note: to install the glass door onto the bottom basin, first apply the FN002 iron column spout onto the water outlet pipelines of the bottom basin before installing the whole glass door, as shown in Fig. 5.)



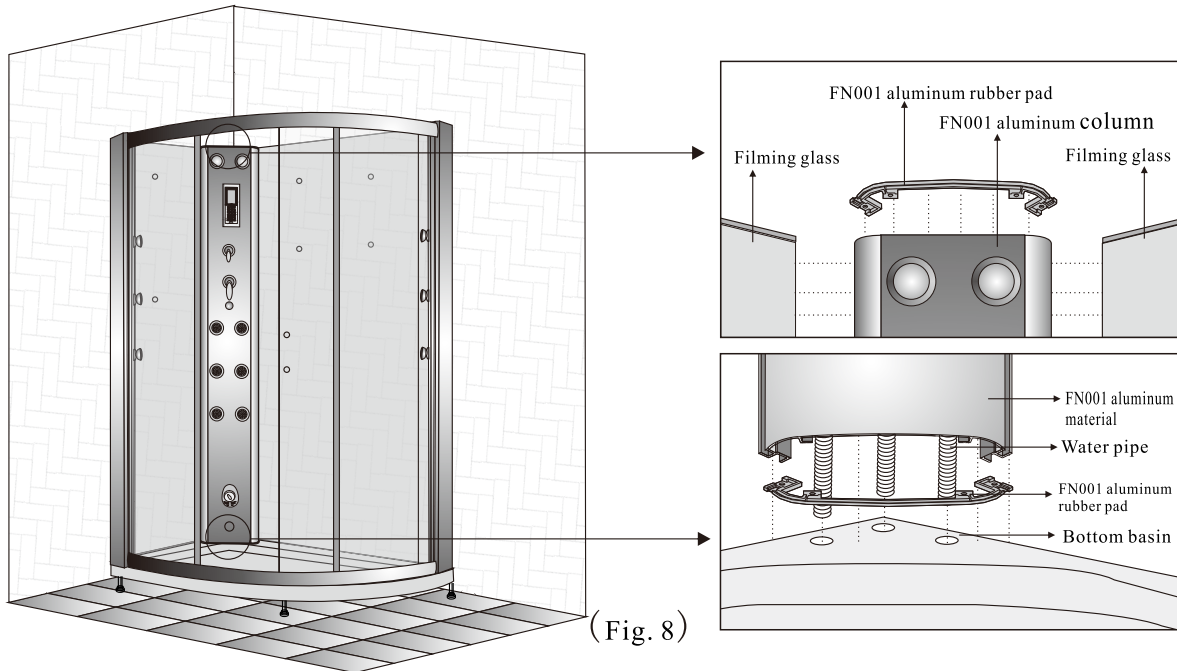
2. Take out the filming glass, apply 305B diamond waterproof adhesive tapes onto the top of the filming glass, and 307 waterproof adhesive tapes to the bottom, then apply the filming glass onto the FN002 nozzle of the side aluminum materials of the glass door, as shown in Fig. 6. (Note: the filming glass is with left and right directions).



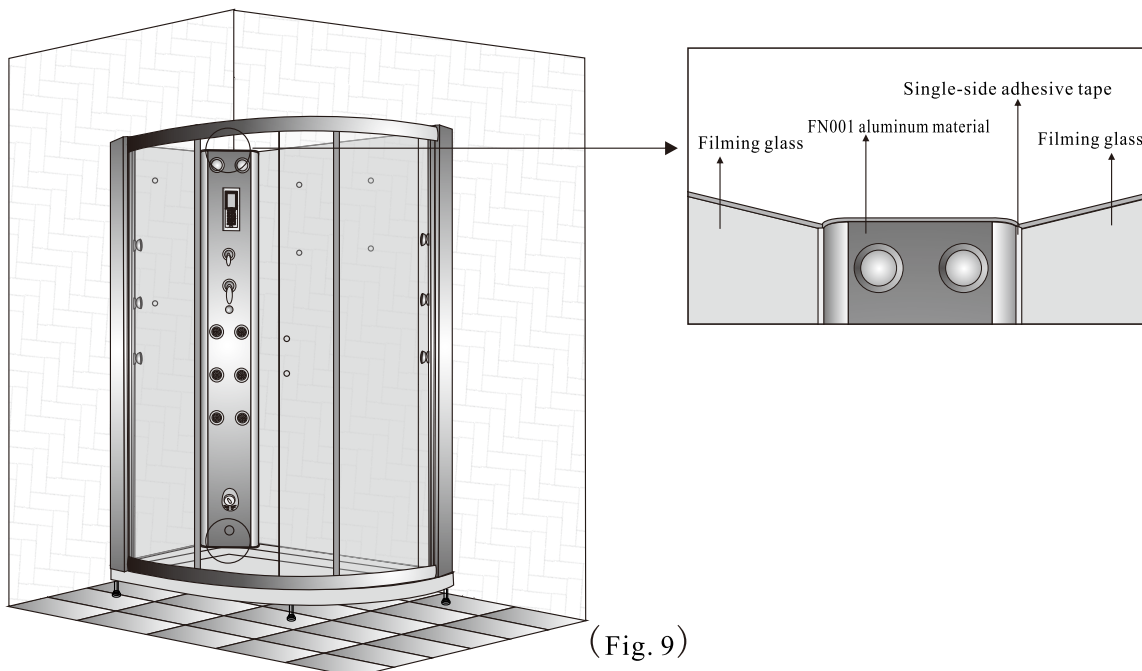
3. After applying the filming glass, use a single-side adhesive tape for fixing. The installation of the filming glass on the other side is the same (as shown in Fig. 7). Install FN002 aluminum rubber pads to FN002 aluminum materials



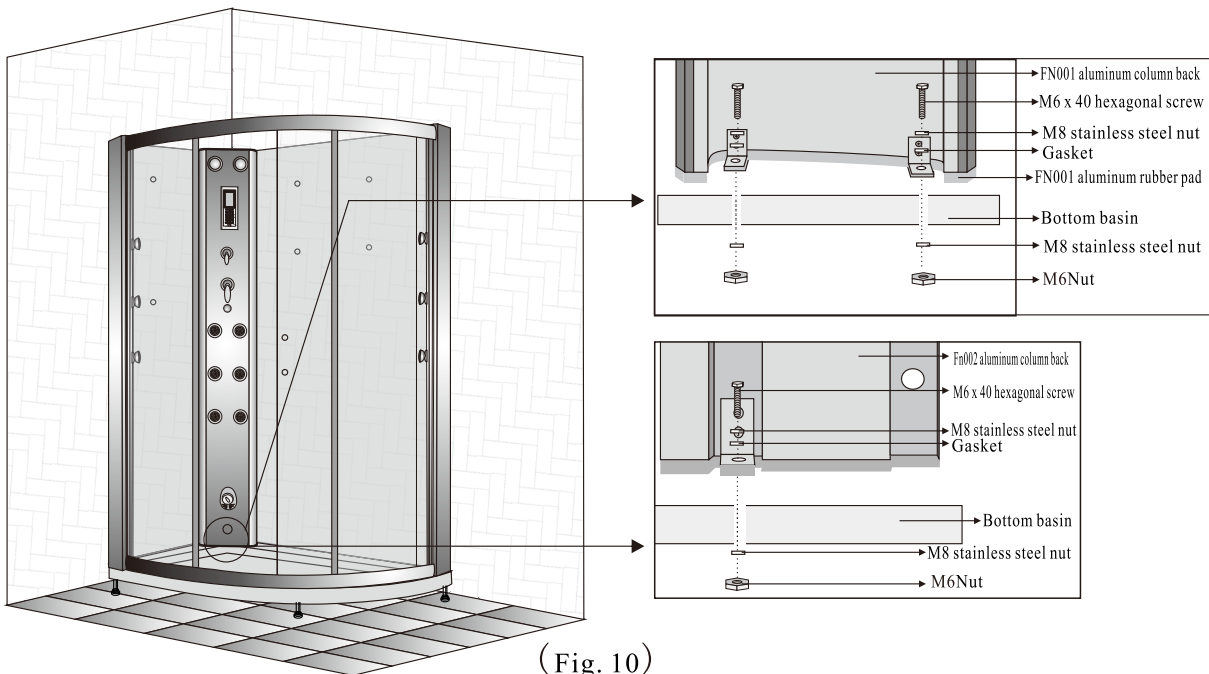
4. Get out the FN001 aluminum column, apply rubber pads onto the top and bottom of the aluminum post (as shown in the figure), and then install it onto the steam room body. (Note: to install the FN001 aluminum materials, first apply the water pipe of FN001 aluminum post onto the water pipeline outlet, and then apply one side of filming glass onto the FN001 aluminum post nozzle (as shown in Fig.8).



5. After mounting FN001 aluminum column, use a single-side adhesive tape for fixing, as shown in Fig. 9.

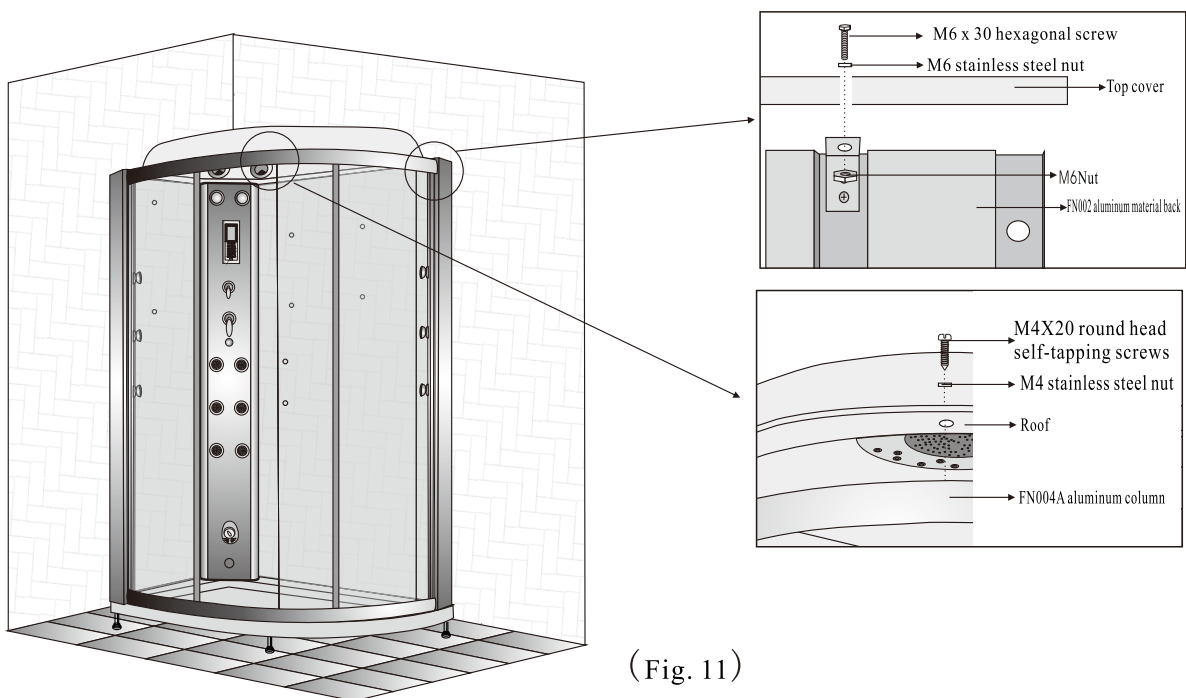


6. Fix the steam room body, use M6 x 40 hexagonal screws to connect the secure the steam room body with the bottom basin according to the corresponding holes, as shown in Fig. 10.



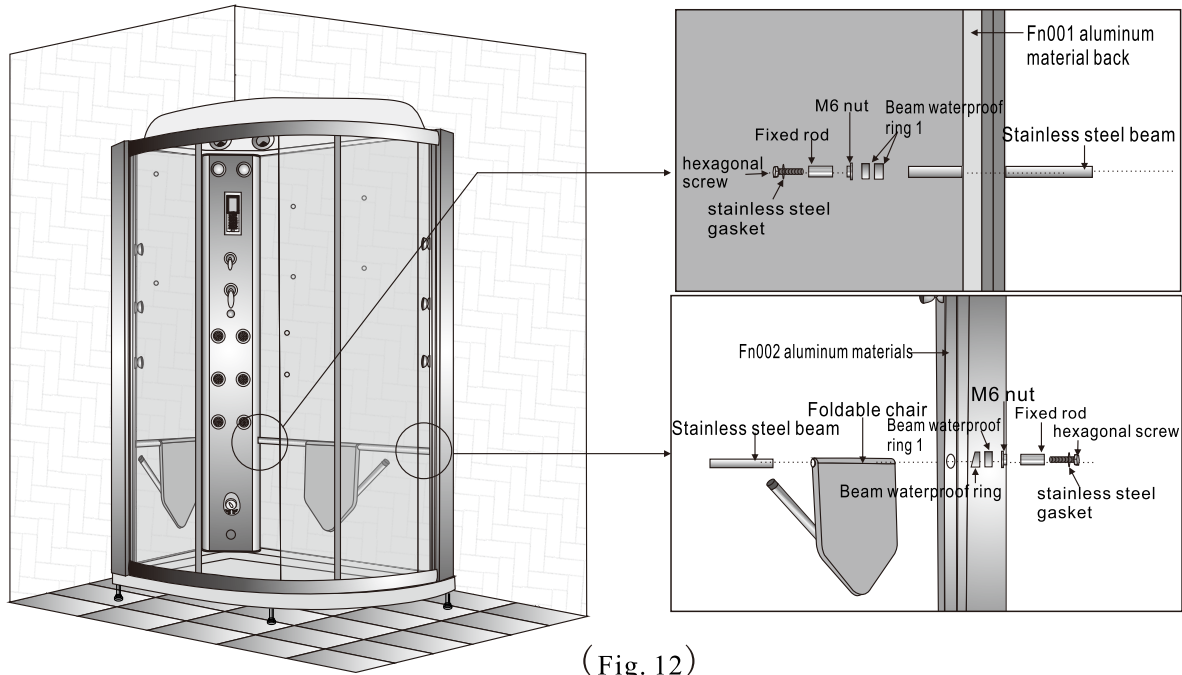
IV. Roof installation

1. Get out the roof, apply it to the steam room body, and fix it with screws according to corresponding holes, as shown in Fig. 11.
2. Connect the lamp wires of the roof with the water pipes.

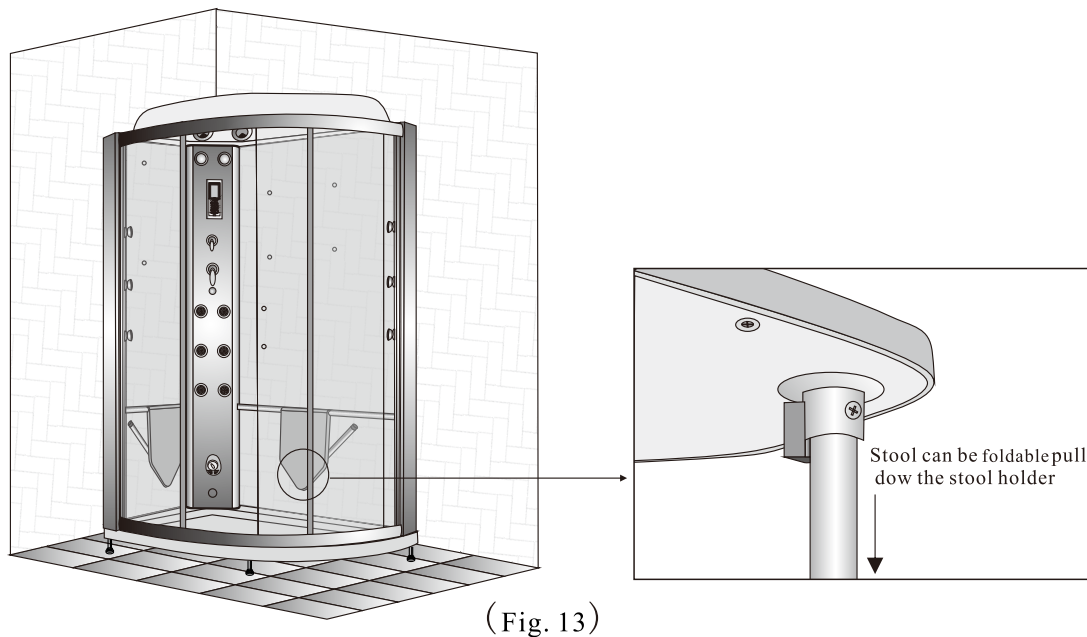


V. Chair installation

1. First thread the chair beam through the FN001 aluminum back, then apply the foldable chair, FN002 aluminum material, and apply the beam waterproof ring on both ends of the stainless steel beam, as shown in Fig. 12.

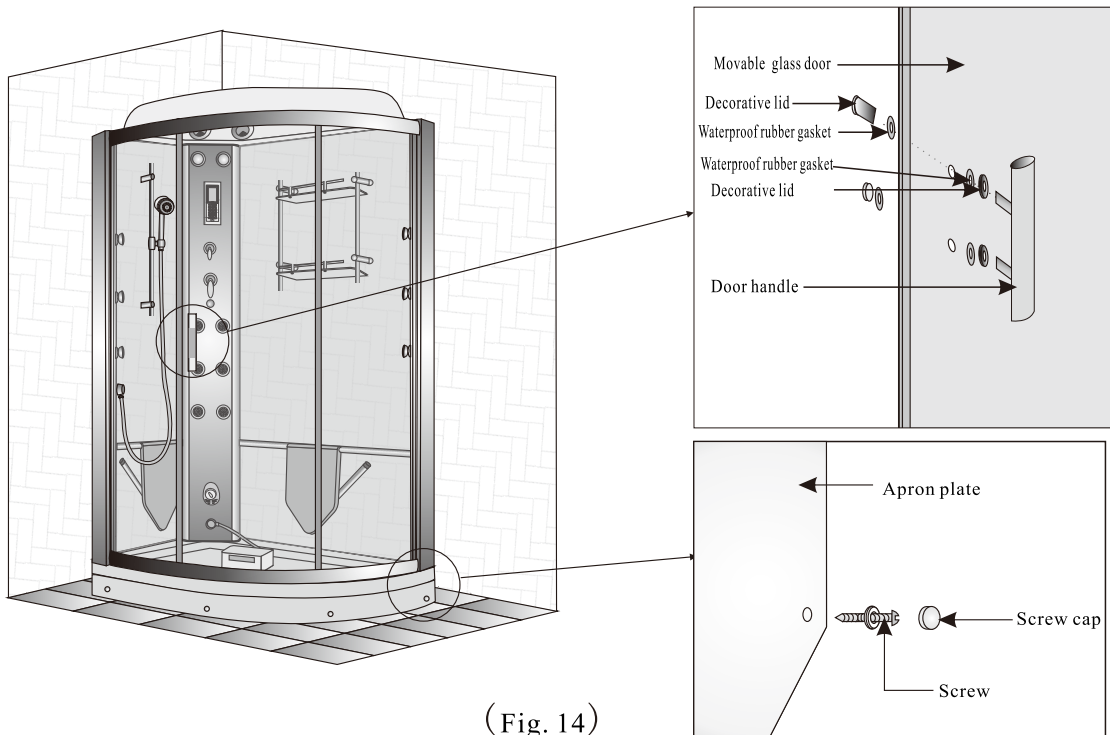


2. After the stool is threaded, use M4x30 countersunk screws at both ends of the stainless steel beams to fix them onto the back of the FN001 aluminum material. To use the foldable stool, please pull out the stool holder at the seat of the stool for fixing. After use, please first pull out the stool holder and then fold the stool, as shown in Fig. 13



VI. Installation of spare parts

After the chamber body is installed, install the lifting support, shower head, support rack, foot massage device, and handle to the corresponding locations, as shown in Fig. 14.



(Fig. 14)

VII. Checking and connecting power supply, and water test

Please check whether the various installation procedures are in compliance with the above-mentioned requirements. Connect power cords according to related markings and directions correctly. Be sure that various connectors and plugs are free from loosening and falling. After check, connect the power supply. Carefully check connection of various circuits and water supply lines. Then open the tap and the power supply to check whether the various functions are normal, and whether there is water leakage for various connectors.

Note: 1. Please connect the power cords according to circuit indication, and there shall be no missing connection, wrong connection or reverse connection, otherwise, it may result in burning the computer boards.

2. Be sure that there is no water entry or dropping into the various power cord connectors.

3. Before installation, please get the radio antenna outdoors, so as to achieve better receive result.

VIII. Fix the apron boards, and move the steam chamber to an appropriate location