

Rocker Panel Molding Package Installation (Instruction ID: 84254463)

Installation Instructions Part Number

84254463

Note: Please read instructions thoroughly before starting.

Kit Contents

Qty	Description
1	Molding-Rocker Panel – LH
1	Molding-Rocker Panel – RH
1	Attachment Package-Rocker Panel Molding
1	Rocker Panel Molding Installation Template – LH
1	Rocker Panel Molding Installation Template – RH
1	Installation Instructions
1	Front End Spoiler Package (Optional Content)

Tools Required

Drill

5 mm (13/64) drill bit

Rivet Tool

Procedure

Note: Carefully read and understand instructions and components completely before beginning installation.

Note: Wash/clean fascias and rockers before ground effects installation.

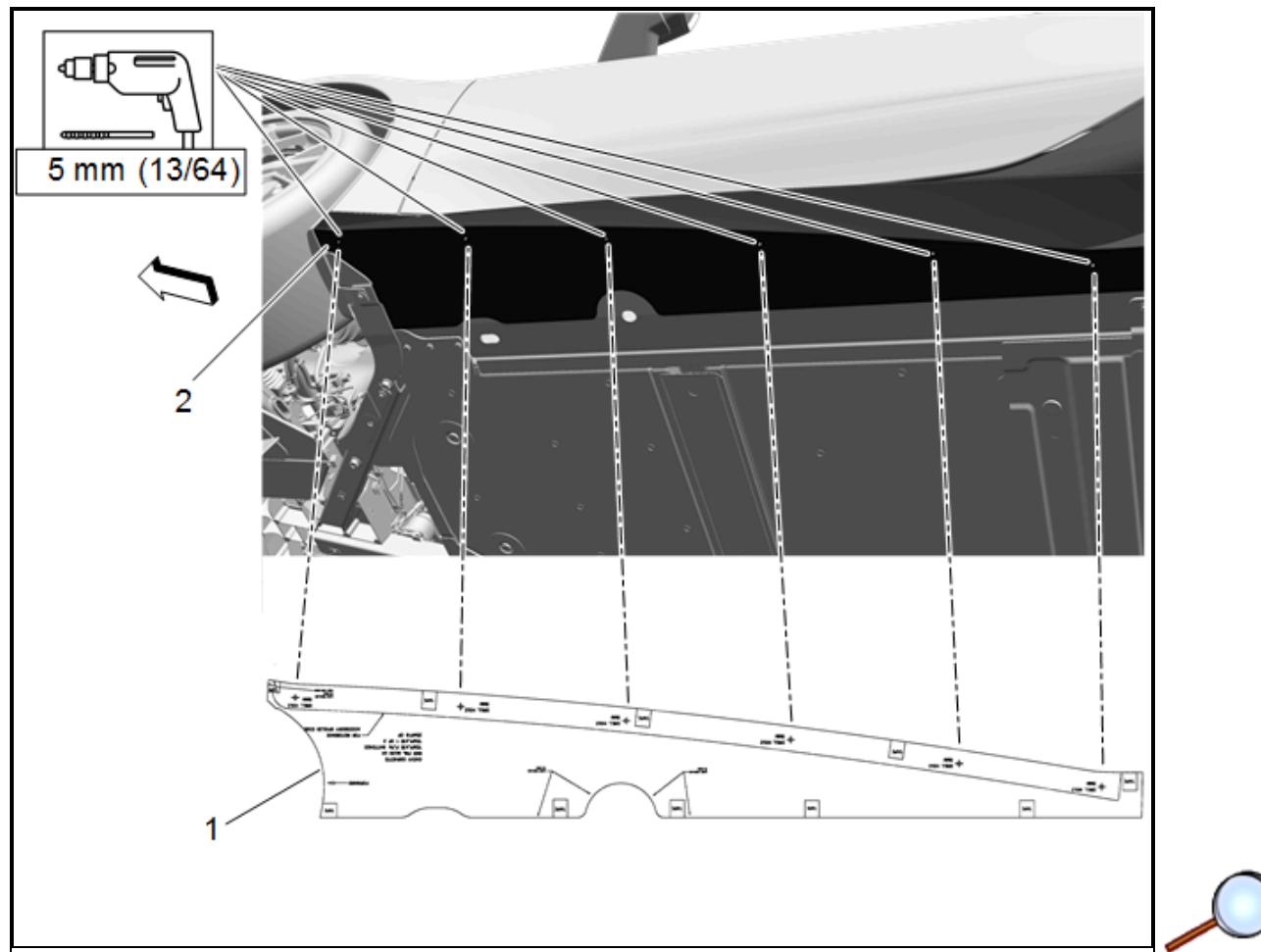
Note: The part and vehicle surface should be 21°C – 32°C (70°F – 90°F) prior to installation. The vehicle should remain inside in a temperature range of 21°C – 32°C (70°F – 90°F) for 1 hour after assembly to allow the adhesive to develop sufficient bond strength.

Caution: Ground Effects reduce the vehicle's ground clearance. Enter driveways, bumps and ramps with care.

Rocker Moldings

Note: Make sure the hoist lift points do not cover the underside of the rocker panels.

1. Suitably lift and support the vehicle. Refer to [Lifting and Jacking the Vehicle](#) in Vehicle Service Manual.
2. Clean the rocker panels.

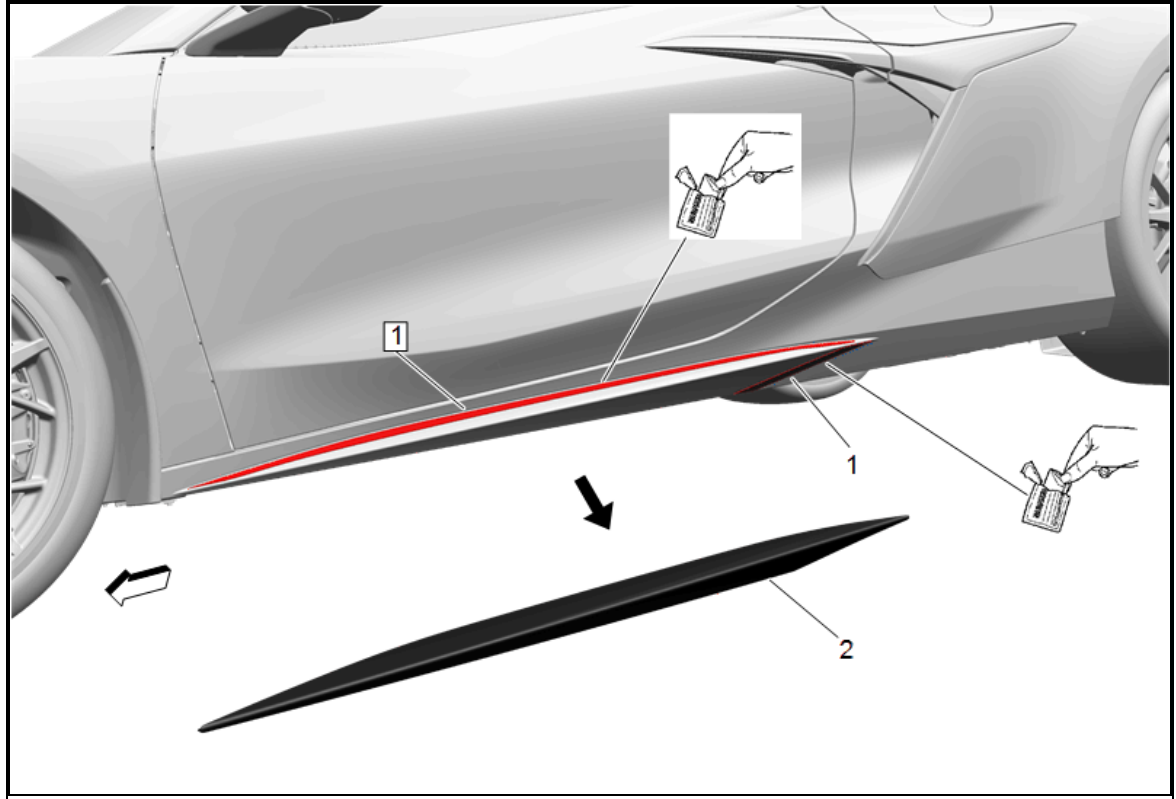


Caution: Always check scale, size and position of all templates before drilling. Failing to do so may cause damage to the vehicle, misalignment of components or the inability to install the accessory.

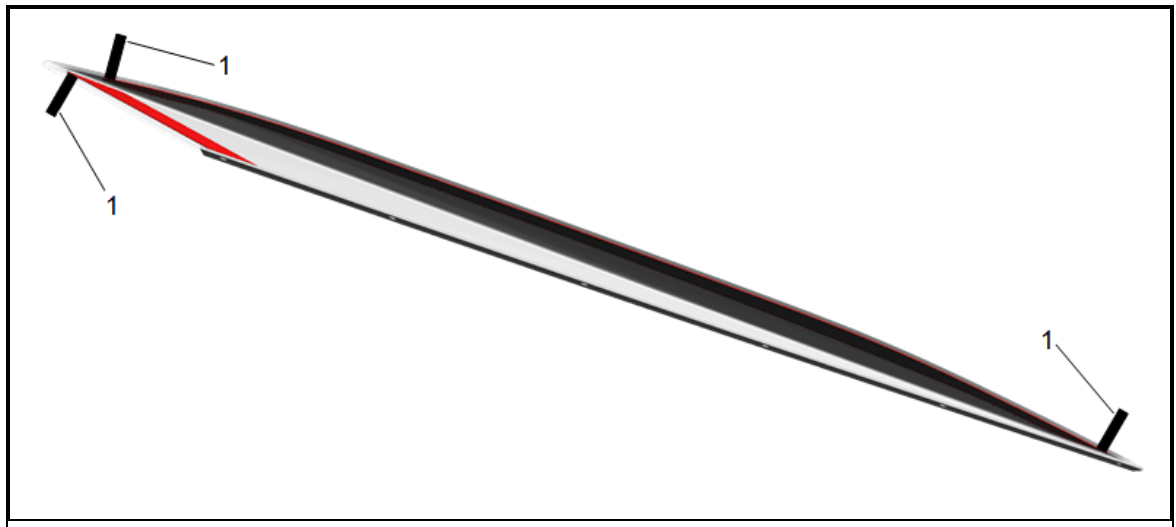
3. Position the supplied template (1) to the rocker panel (2) and tape into position as instructed on template.

Caution: Maximum drill depth is 3/4" (20mm). DO NOT drill beyond the maximum drill depth as this may cause damage to the top surface of the body.

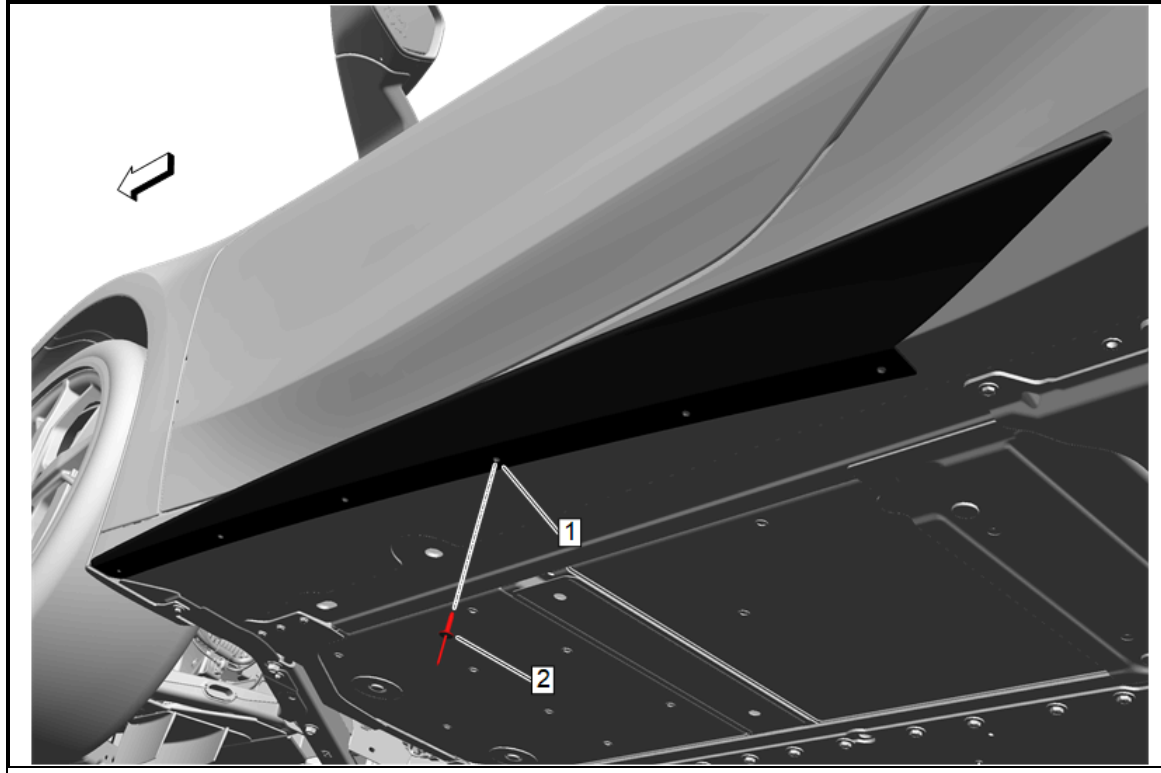
4. Confirm template (1) is in position and drill holes through template into rocker panel as instructed on template using a 5 mm (13/64) drill bit.
5. Remove template (1) from rocker panel after holes are drilled.



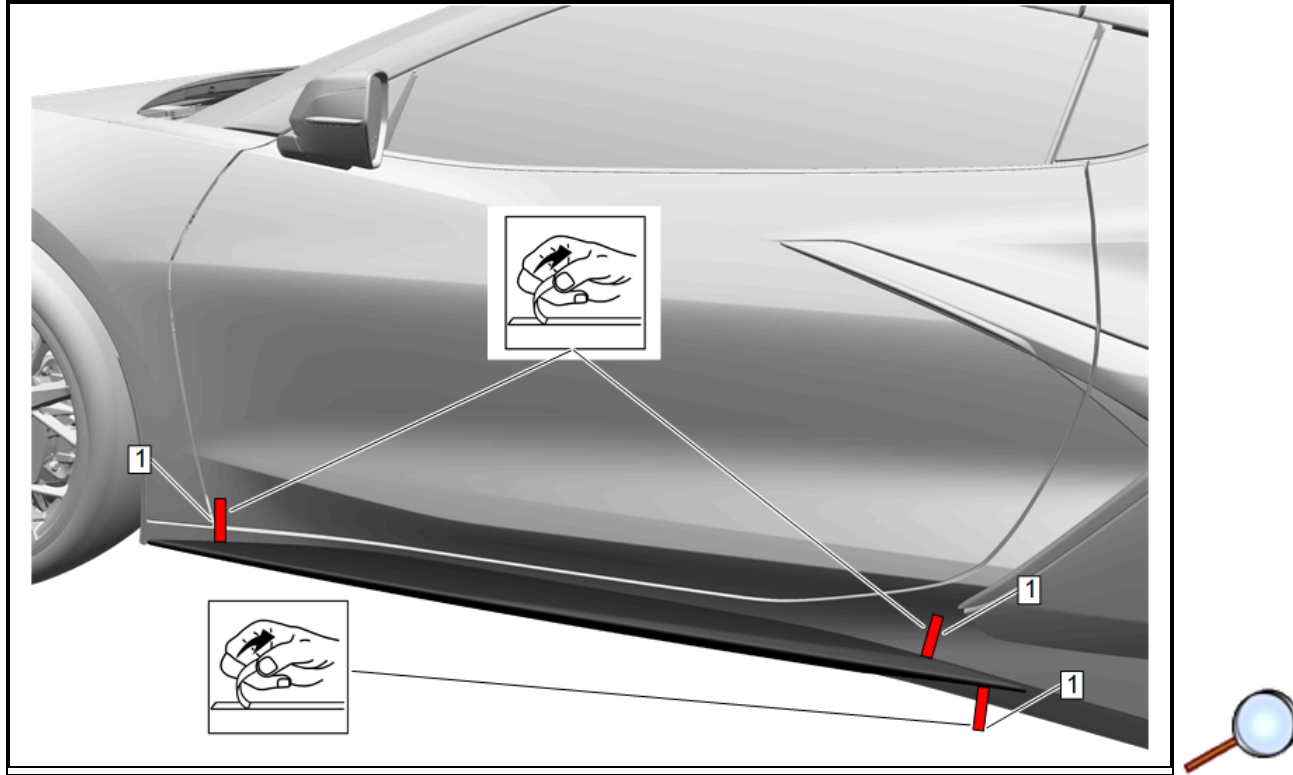
6. Test fit rocker panel molding (2) in position. Note the area of attachment tape contact (1) and remove rocker molding (2). Clean the area with the solvent wipe.



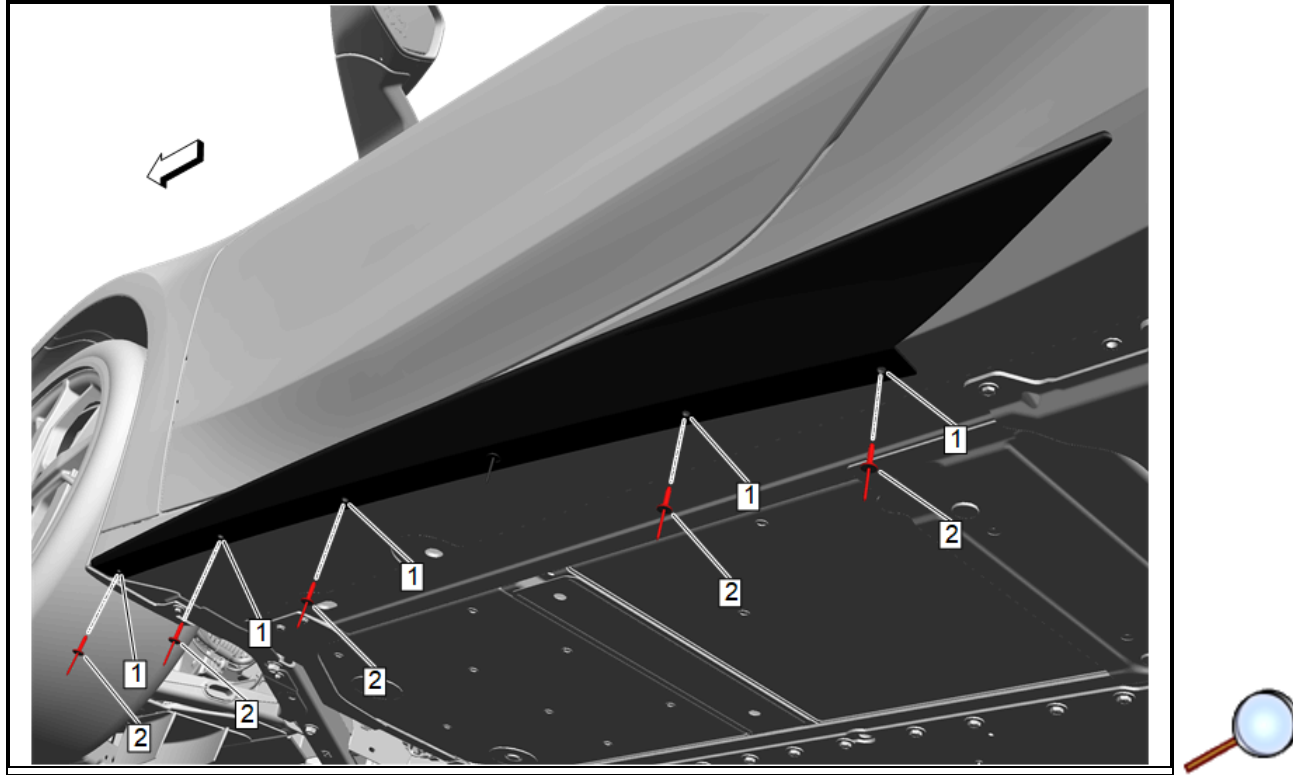
7. Using masking tape, secure the attachment tape release tabs (1) so they can be accessed after the molding is installed.



8. Position rocker panel molding to rocker panel while aligning the holes in rocker panel molding to the previously drilled holes in rocker panel. Install one rivet (2) into the hole (1) of rocker panel molding while applying pressure on rocker towards vehicle to close up gap between rocker and vehicle. Ensure the fit to the vehicle is maintained and that there are no gaps between the rocker panel molding and body side.
9. Lower vehicle to visually inspect gap condition.



10. Carefully peel the backing off of the adhesive tape using the tape release tabs (1).
11. Ensure fit and firmly press on the rocker panel molding from the front to the rear.



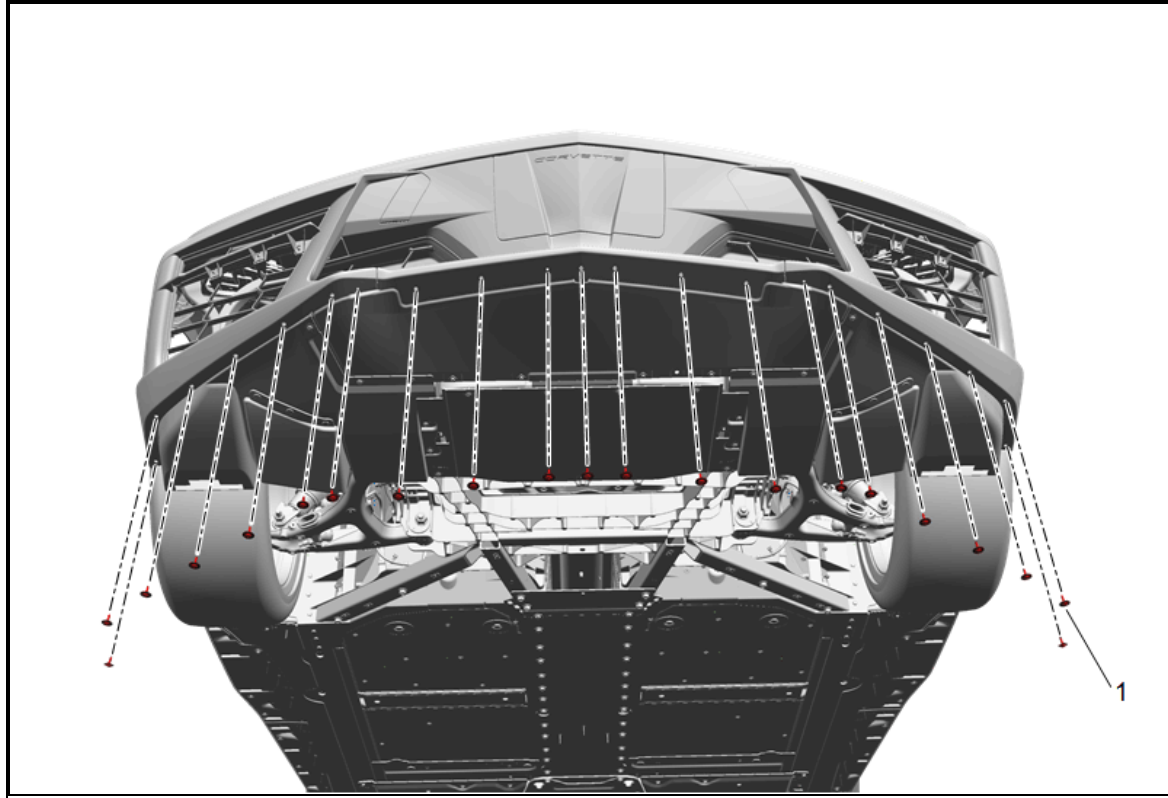
12. Raise the vehicle and install the remaining five rivets (2) into the holes (1) of rocker panel molding.
13. Press firmly from the top to the bottom.
14. Repeat procedure for opposite side.
15. Lower the vehicle.

Note: The vehicle should remain inside in a temperature range of 21°C – 32°C (70°F – 90°F) for 1 hour after assembly to allow the adhesive to develop sufficient bond strength.

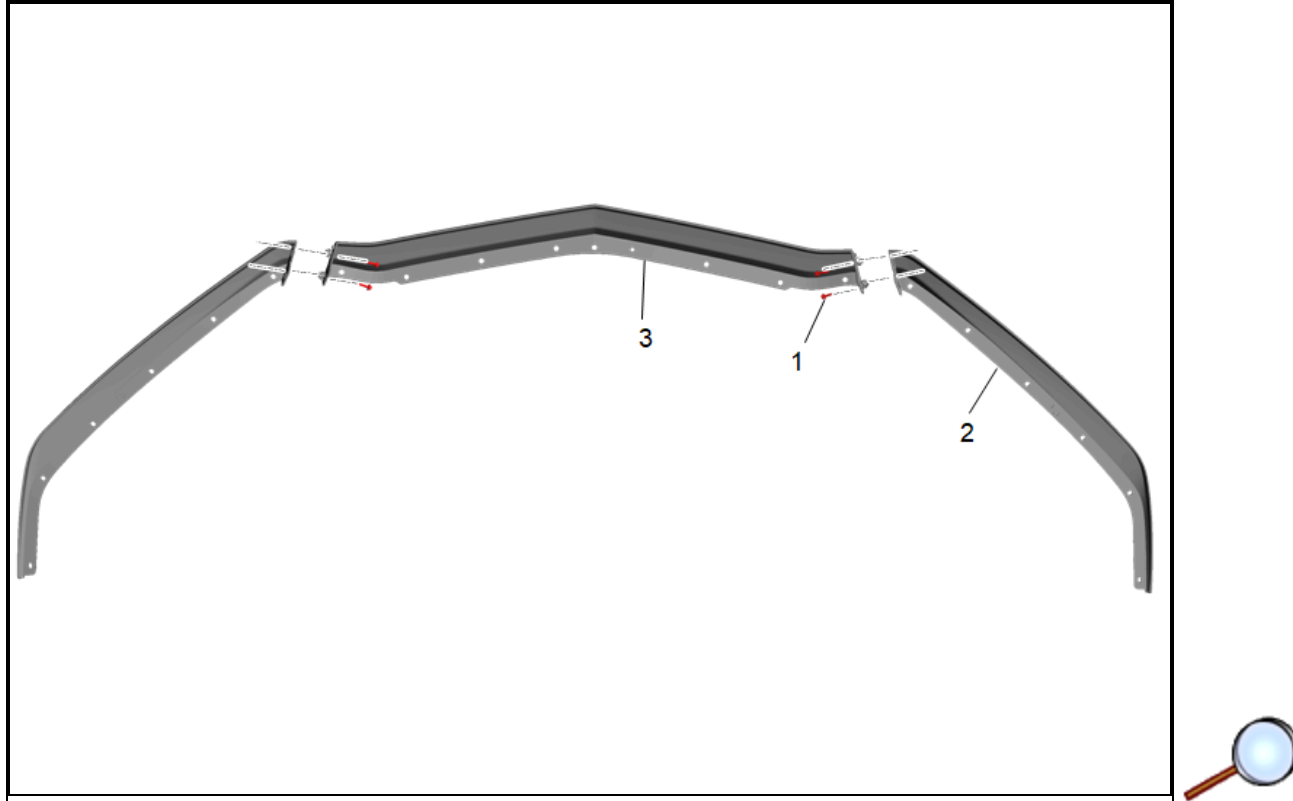
Note: If front spoiler is part of purchased accessory kit, refer to the installation instructions below for front spoiler installation.

Front Spoiler

1. Suitably lift and support the vehicle. Refer to [Lifting and Jacking the Vehicle](#) in Vehicle Service Manual.



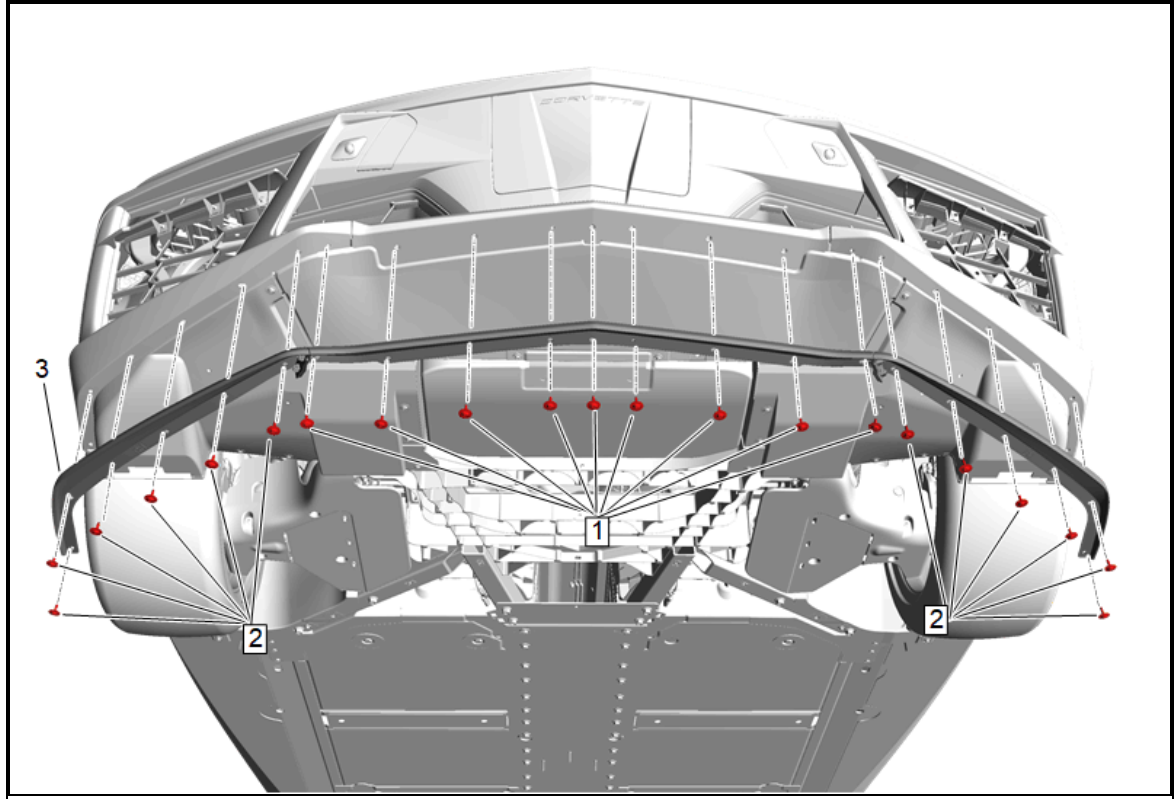
2. Remove and retain the bolts (1) Qty: 21 from the front bumper lower fascia.



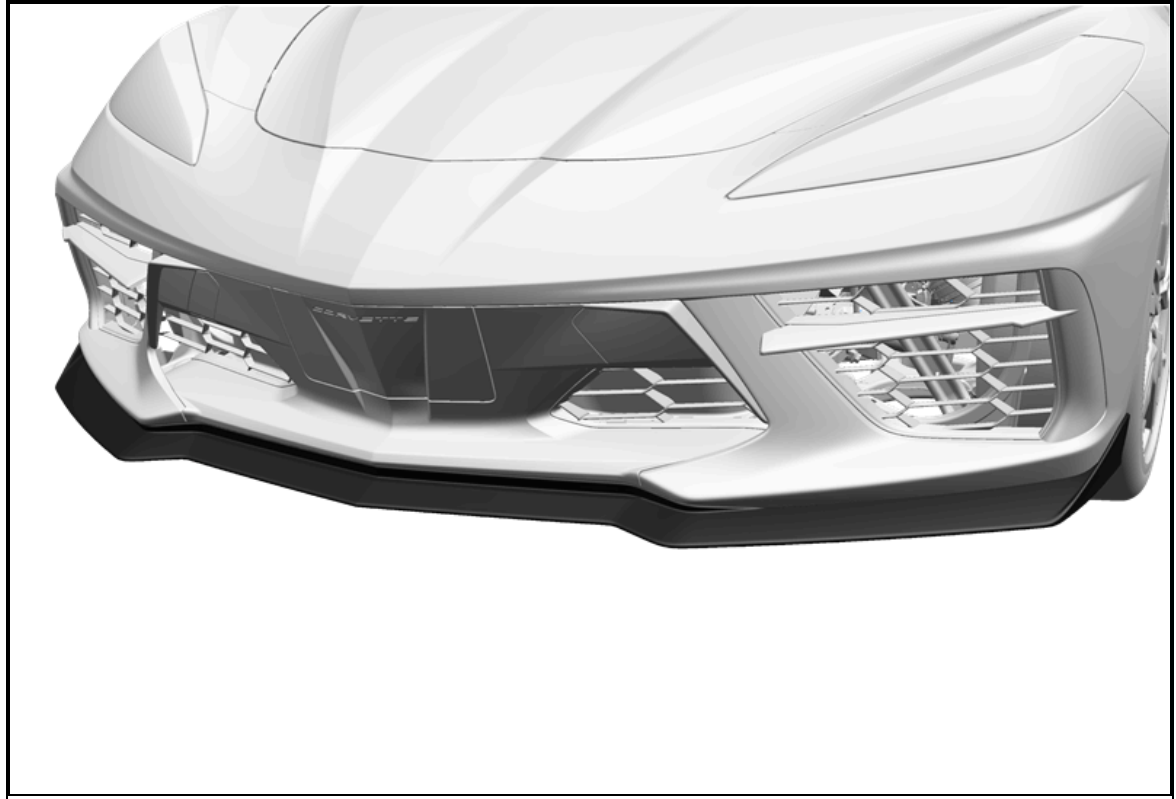
3. Connect the front spoiler outer sections (2) to the front spoiler center section (3)

Caution: Use the correct fastener in the correct location. Replacement fasteners must be the correct part number for that application. Fasteners requiring replacement or fasteners requiring the use of thread locking compound or sealant are identified in the service procedure. Do not use paints, lubricants, or corrosion inhibitors on fasteners or fastener joint surfaces unless specified. These coatings affect fastener torque and joint clamping force and may damage the fastener. Use the correct tightening sequence and specifications when installing fasteners in order to avoid damage to parts and systems.

4. Install the supplied front spoiler bolts (1) Qty: 4 and tighten to 2.5 N.m (22 lb in).



5. Position the front spoiler (3) to the front bumper lower fascia and secure with previously retained bolts (1), (2) and tighten to 2.5 N.m (22 lb in).
6. Lower the vehicle.



7. Front spoiler complete.