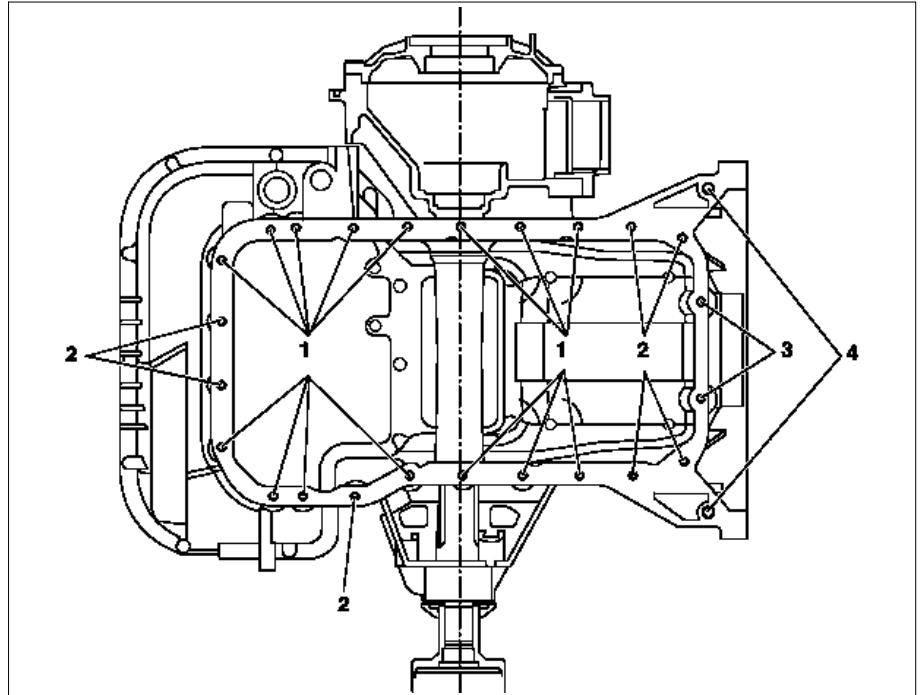


**Upper part of oil pan shown on engine 112
with 4 MATIC**

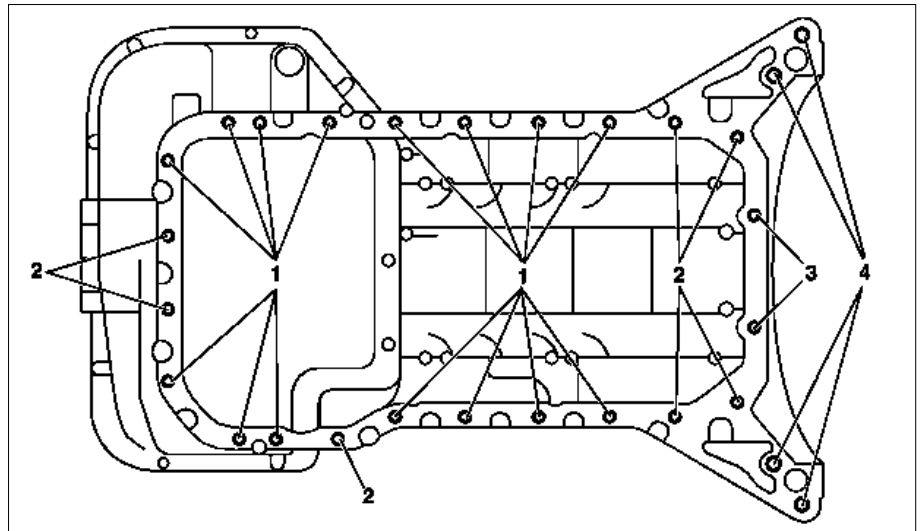
- 1 Bolt M6 × 20
- 2 Bolt M6 × 40
- 3 Bolt M6 × 85
- 4 Bolt M8 × 30



P01.45-0233-06

**Upper part of oil pan shown on engine 112
without 4 MATIC**

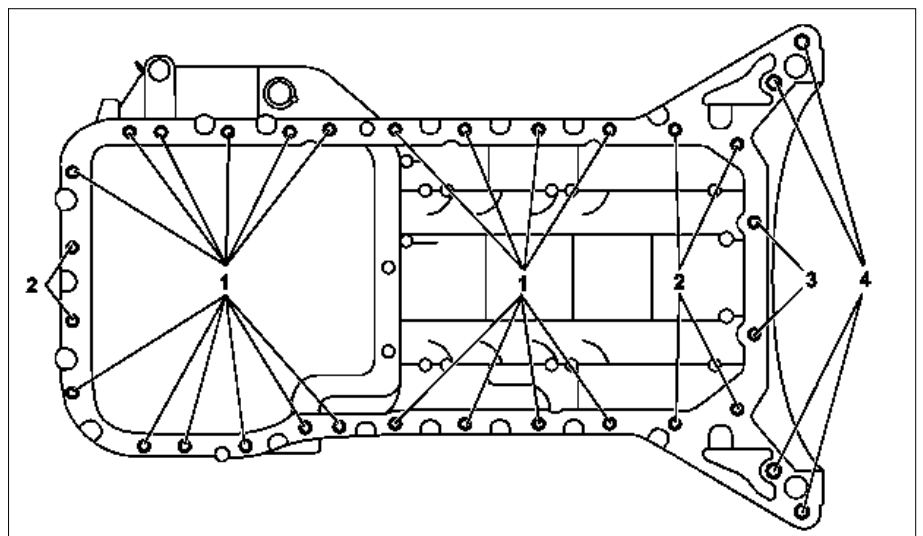
- 1 Bolt M6 × 20
- 2 Bolt M6 × 40
- 3 Bolt M6 × 90
- 4 Bolt M8 × 30



P01.45-0236-05

Upper part of oil pan shown on engine 113

- 1 Bolt M6 × 20
- 2 Bolt M6 × 40
- 3 Bolt M6 × 90
- 4 Bolt M8 × 30



P01.45-0258-05