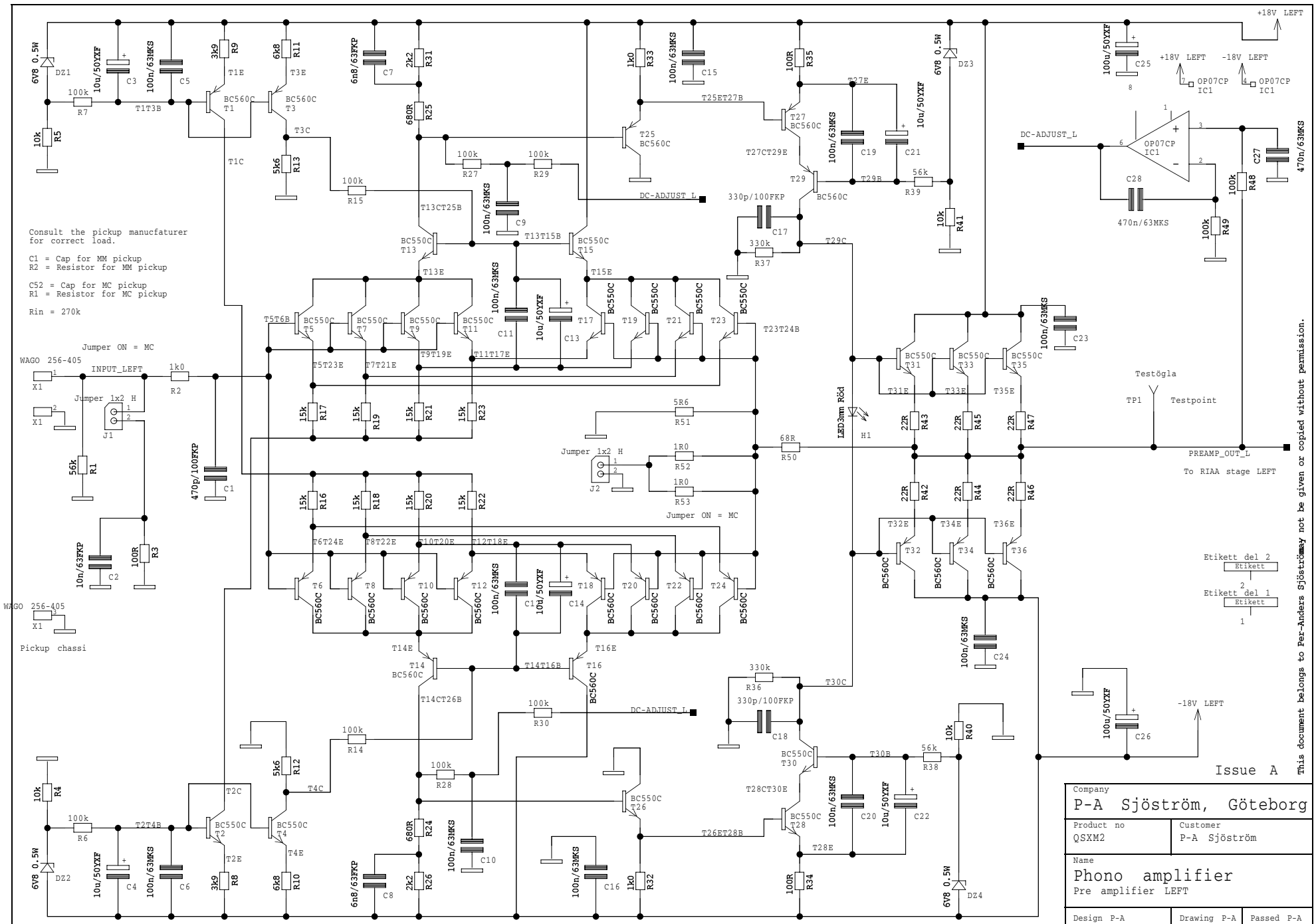


Issue A

This document belongs to Per-Anders Sjöström may not be given or copied without permission.

Company		
P-A Sjöström, Göteborg		
Product no	Customer	
Q5XM2	P-A Sjöström	
Name		
Phono amplifier		
Input bias servo LEFT RIGHT		
Design P-A	Drawing P-A	Passed P-A
File name Q5XM2R1,Layout	A3	Revision 1
Print	2001-12-03	Created 2000-08-01
	Page 7	of 7
		Modified 2001-12-03

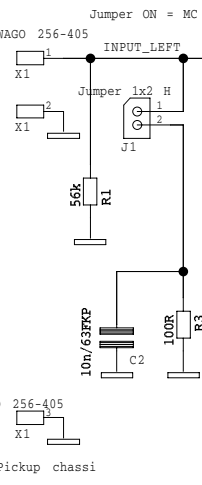


Consult the pickup manufacturer for correct load.

C1 = Cap for MM pickup
 R2 = Resistor for MM pickup

C52 = Cap for MC pickup
 R1 = Resistor for MC pickup

Rin = 270k

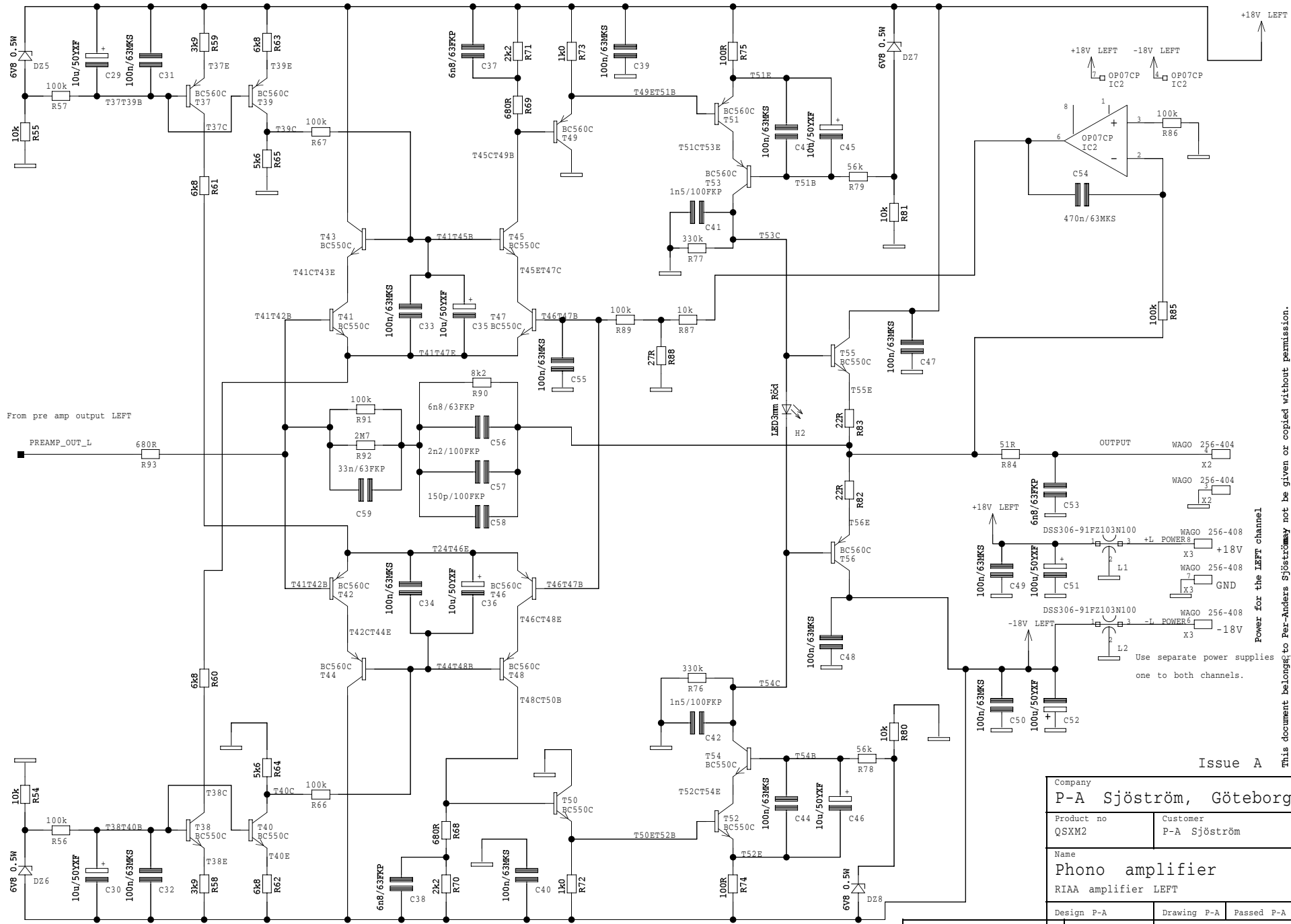


Issue A

Company P-A Sjöström, Göteborg		
Product no Q5XM2	Customer P-A Sjöström	
Name Phono amplifier Pre amplifier LEFT		
Design P-A	Drawing P-A	Passed P-A

File name Q5XM2R1,Layout	A3	Revision 1	Created 2000-08-01
Print 2001-12-03	Page 1	of 7	Modified 2001-12-03

This document belongs to Per-Anders Sjöström and may not be given or copied without permission.



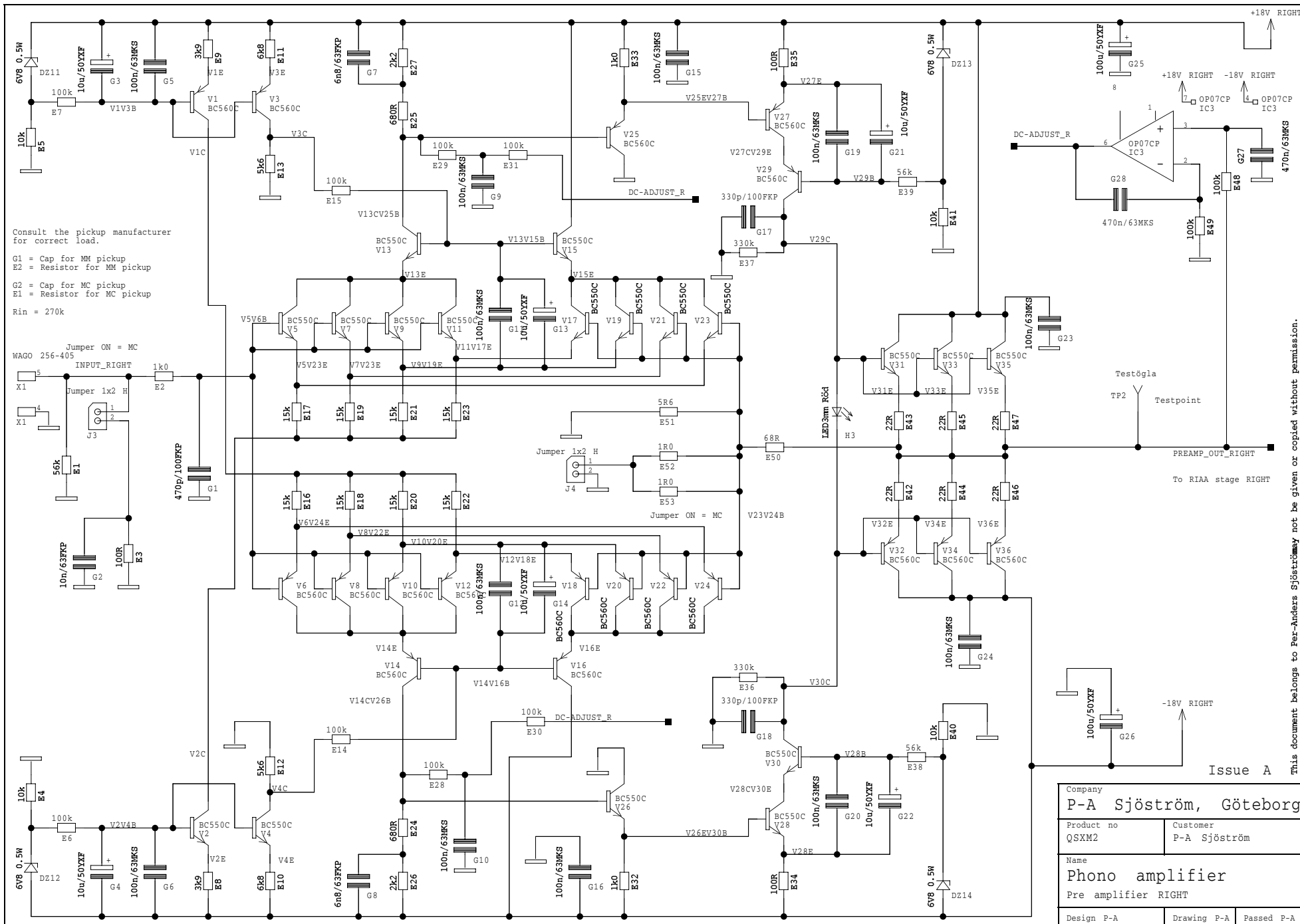
This document belongs to Per-Anders Sjöström and may not be given or copied without permission.

Power for the LEFT channel

Use separate power supplies one to both channels.

Issue A

Company P-A Sjöström, Göteborg		
Product no Q5XM2	Customer P-A Sjöström	
Name Phono amplifier RIAA amplifier LEFT		
Design P-A	Drawing P-A	Passed P-A
File name Q5XM2R1,Layout	A3 Revision 1	Created 2000-08-01
Print 2001-12-03	Page 2 of 7	Modified 2001-12-03



Consult the pickup manufacturer for correct load.
 G1 = Cap for MM pickup
 E2 = Resistor for MM pickup
 G2 = Cap for MC pickup
 E1 = Resistor for MC pickup
 Rin = 270k

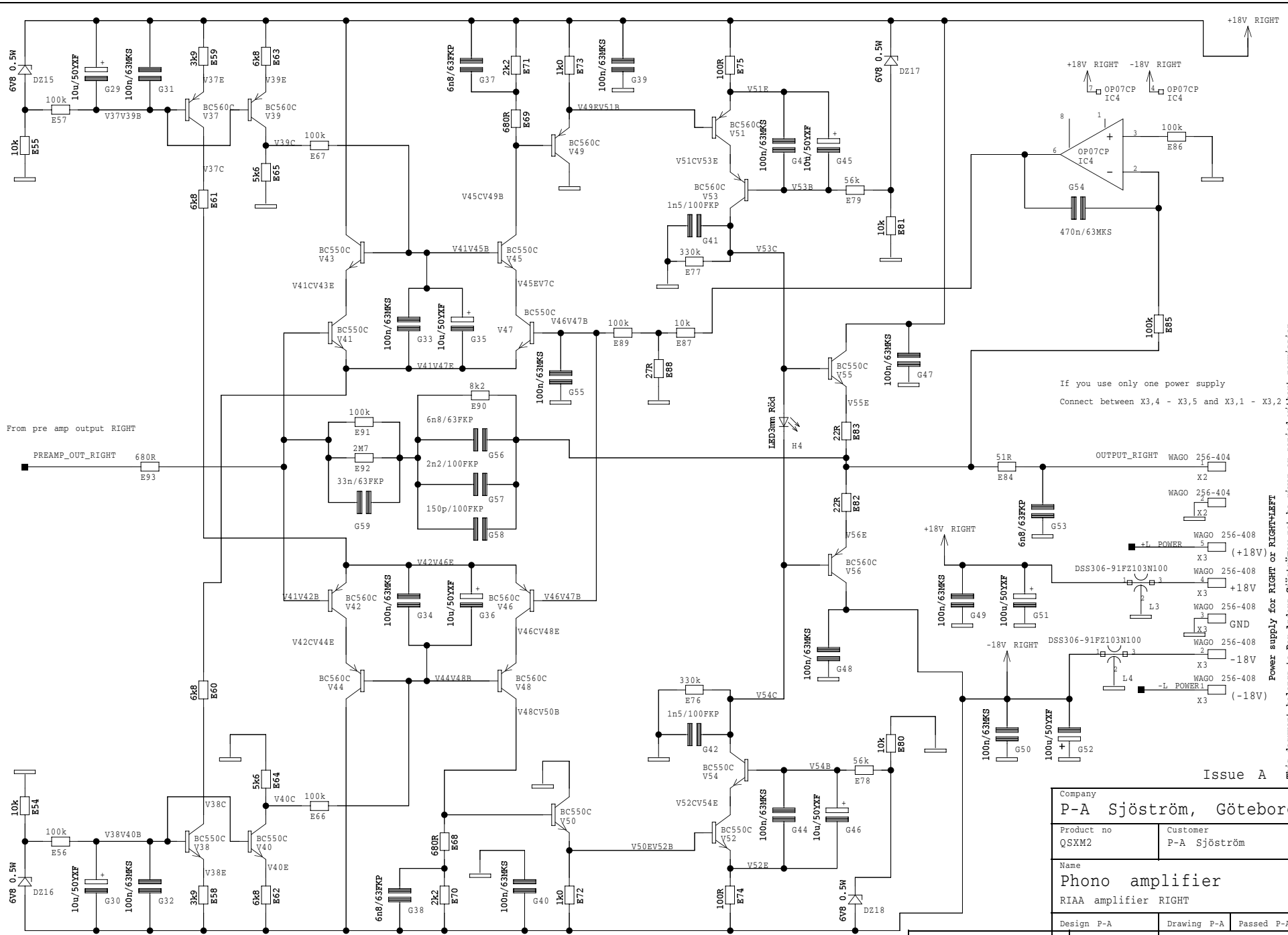
WAGO 256-405 Jumper ON = MC
 INPUT_RIGHT
 Jumper 1x2 H
 J3

Jumper ON = MC
 J4

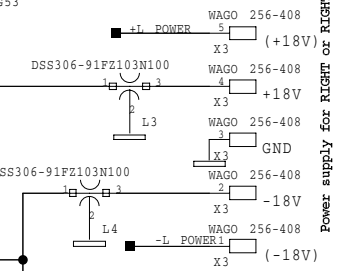
Company P-A Sjöström, Göteborg		
Product no Q5XM2	Customer P-A Sjöström	
Name Phono amplifier Pre amplifier RIGHT		
Design P-A	Drawing P-A	Passed P-A
File name Q5XM2R1.Layout	A3 Revision 1	Created 2000-08-01
Print 2001-12-03	Page 3 of 7	Modified 2001-12-03

This document belongs to Per-Anders Sjöström may not be given or copied without permission.

Issue A



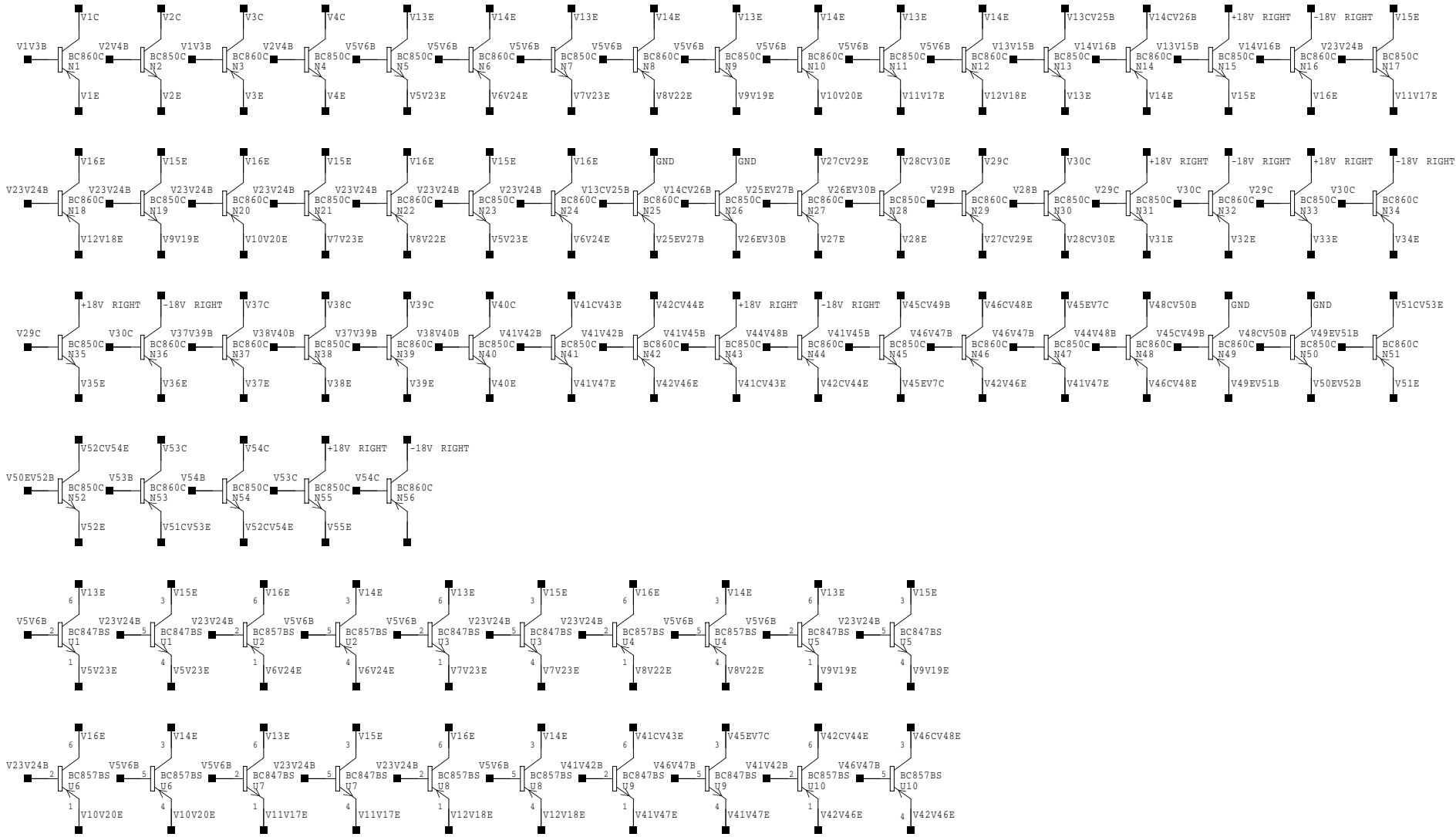
If you use only one power supply
Connect between X3,4 - X3,5 and X3,1 - X3,2



This document belongs to Per-Anders Sjöström not be given or copied without permission.

Issue A

Company P-A Sjöström, Göteborg		
Product no Q5XM2	Customer P-A Sjöström	
Name Phono amplifier RIAA amplifier RIGHT		
Design P-A	Drawing P-A	Passed P-A
File name Q5XM2R1,Layout	A3 Revision 1	Created 2000-08-01
Print 2001-12-03	Page 4 of 7	Modified 2001-12-03



This document belongs to Per-Anders Sjöström may not be given or copied without permission.

Issue A

Company		
P-A Sjöström, Göteborg		
Product no	Customer	
Q5XM2	P-A Sjöström	
Name		
Phono amplifier		
SMD transistors RIGHT		
Design P-A	Drawing P-A	Passed P-A
File name Q5XM2R1,Layout	A3	Revision 1
Print	2001-12-03	Created 2000-08-01
	Page 6	of 7
		Modified 2001-12-03